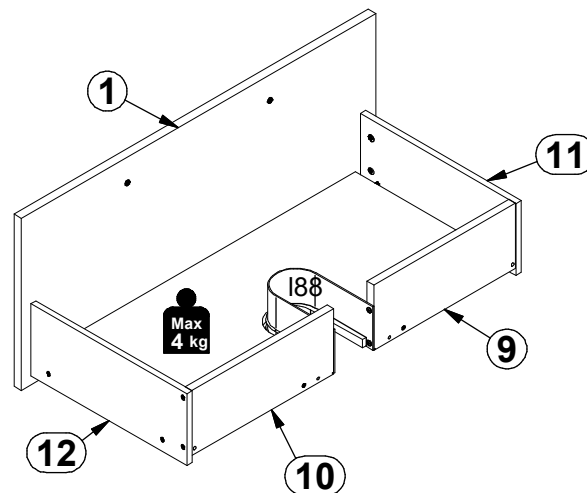
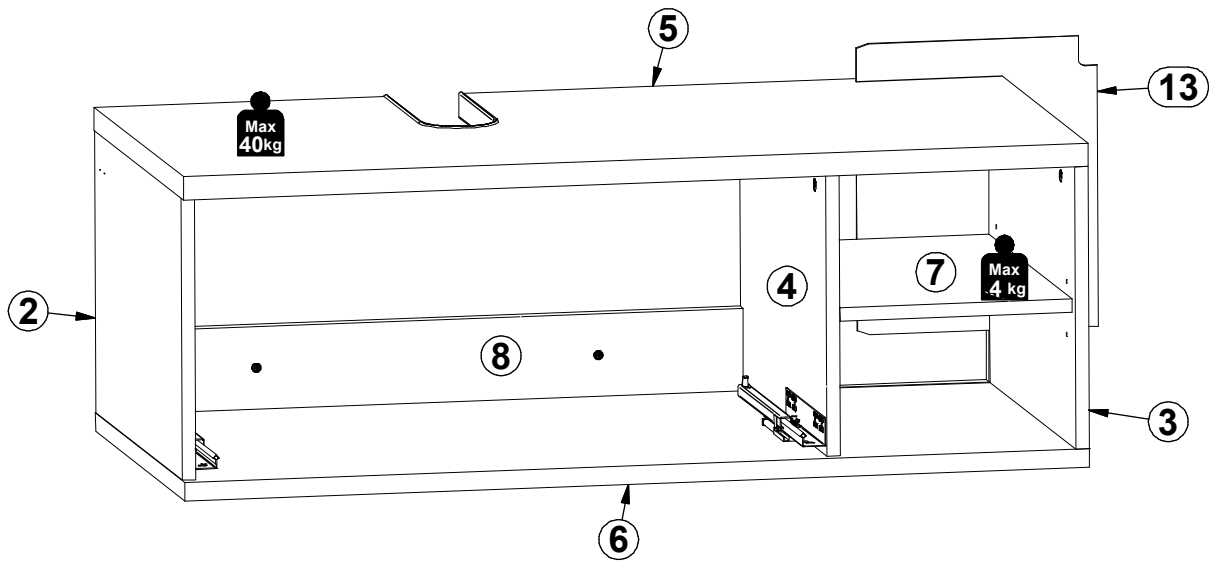
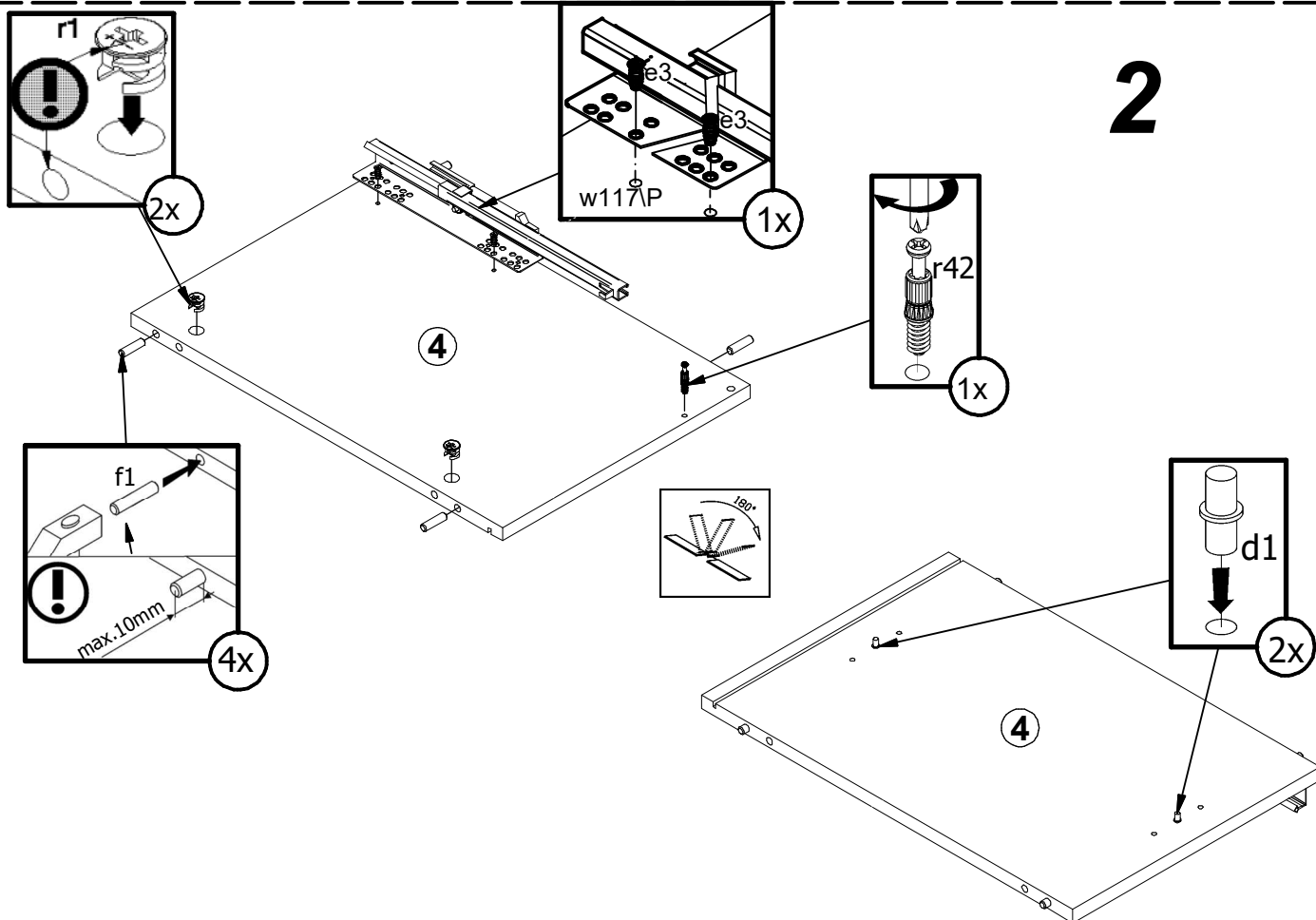
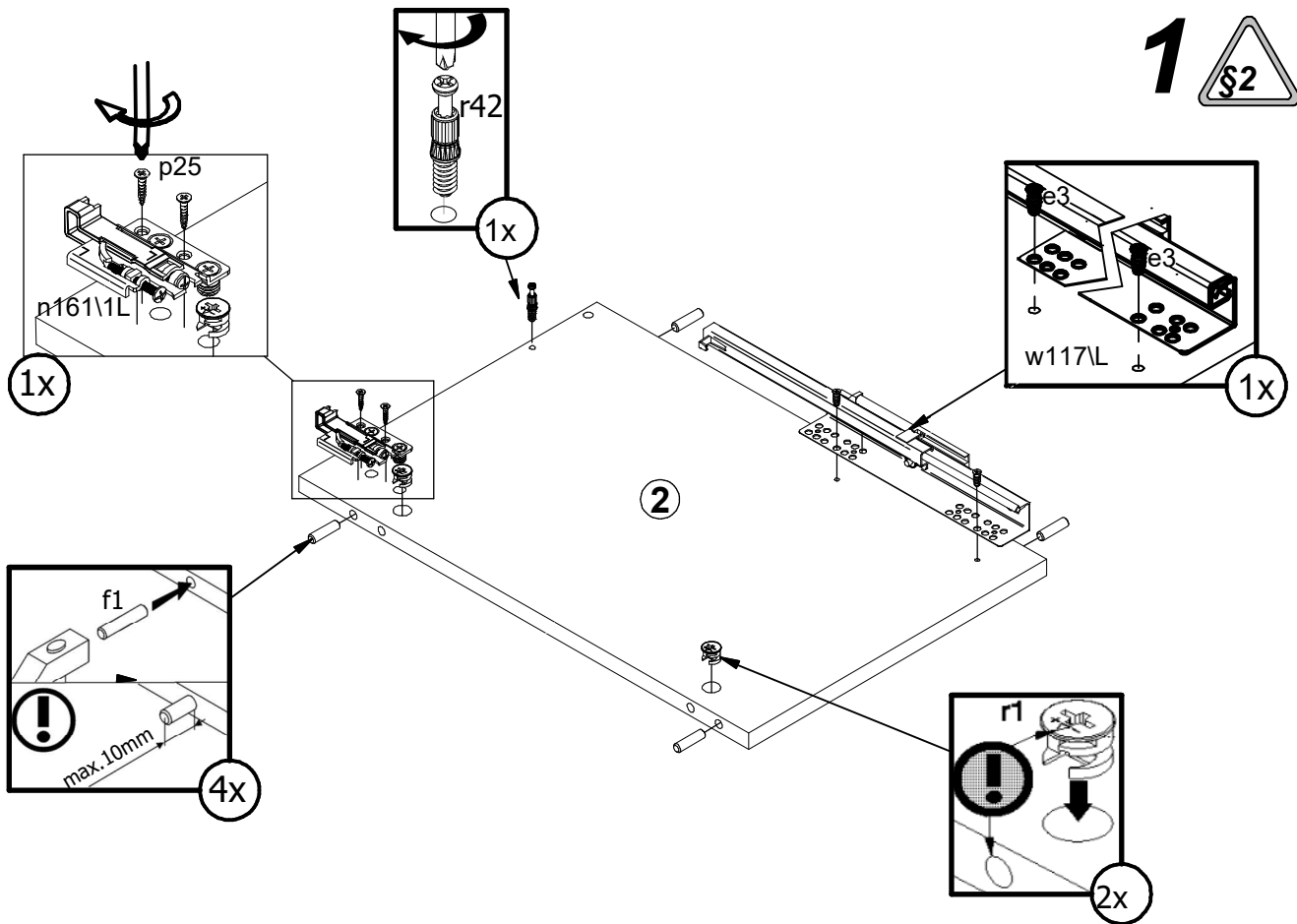
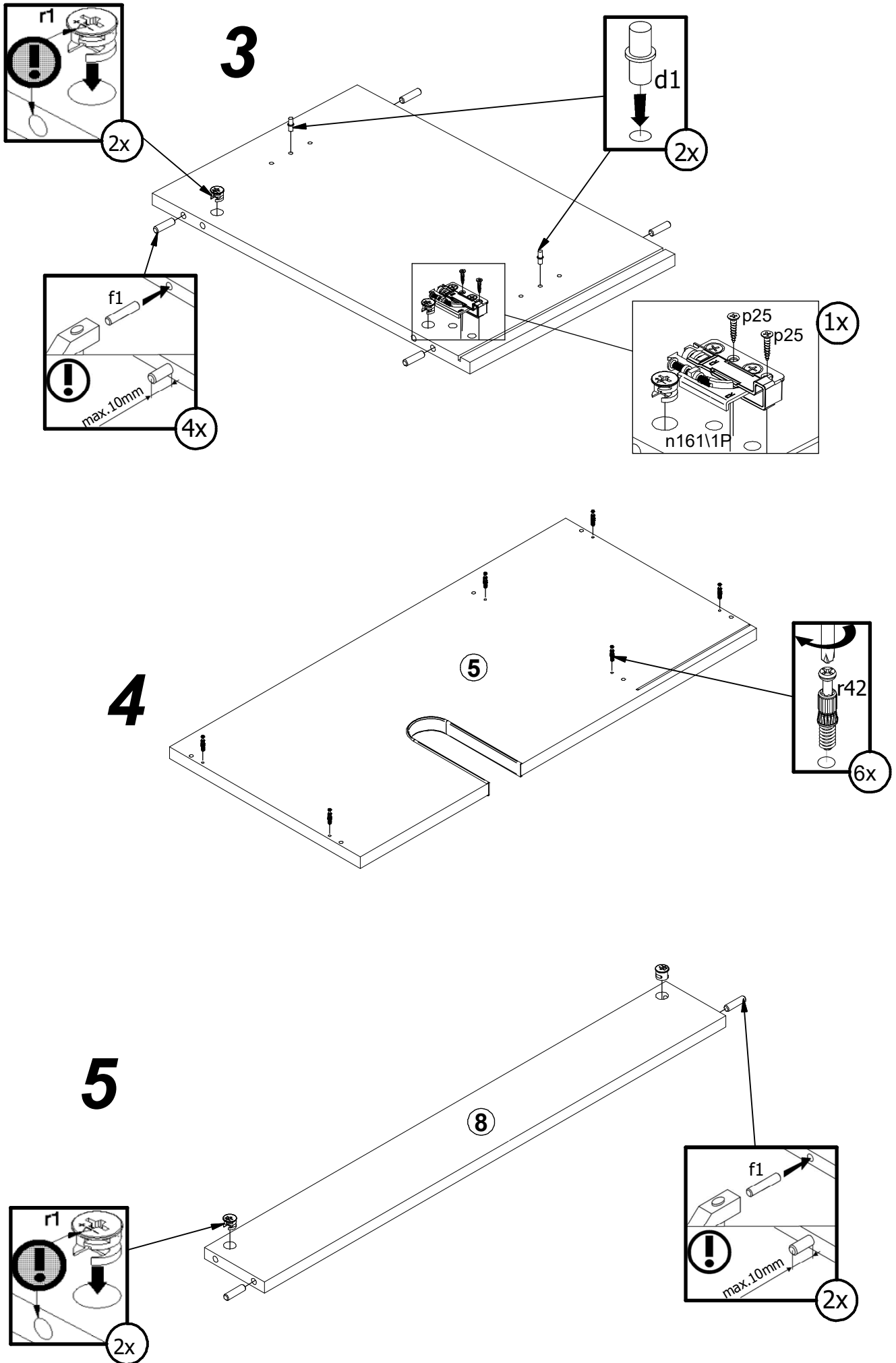


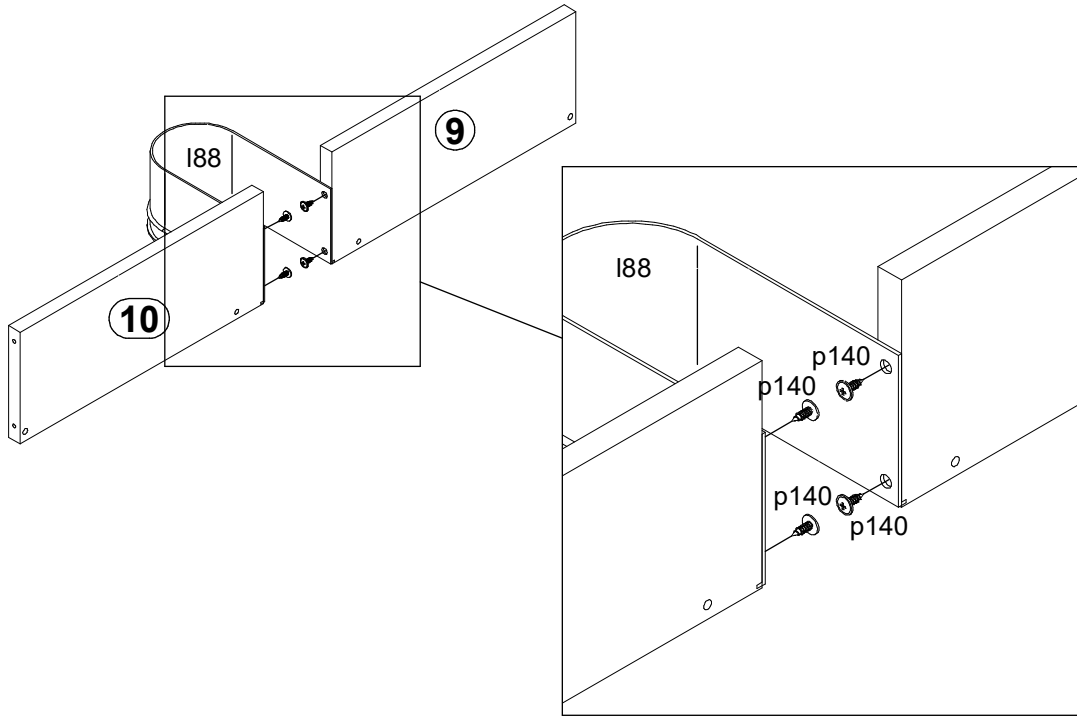
A	B	C1	C2	C3	D
1	S535-0001	796	335	16	1/2
2	S535-1001	512	341	16	1/2
3	S535-1002	530	341	16	1/2
4	S535-1003	512	341	16	1/2
5	S535-2001	1100	530	32	2/2
6	S535-2002	1100	530	22	2/2
7	S535-3001	282	492	16	1/2
8	S535-4001	768	100	16	2/2
9	S535-5701	319	127	15	1/2
10	S535-5702	319	127	15	1/2
11	S535-5703	350	140	12	2/2
12	S535-5704	350	140	12	2/2
13	S535-9601	728	334	16	1/2



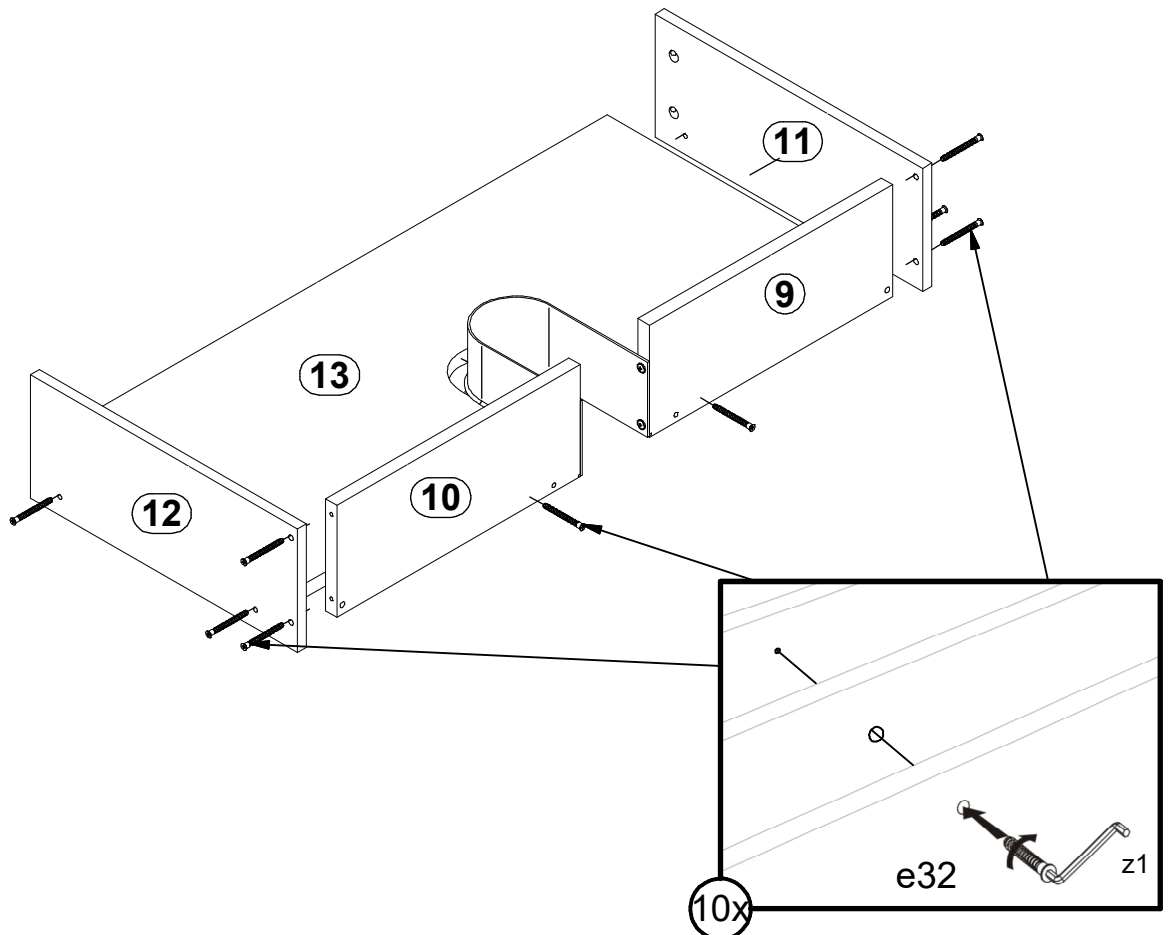




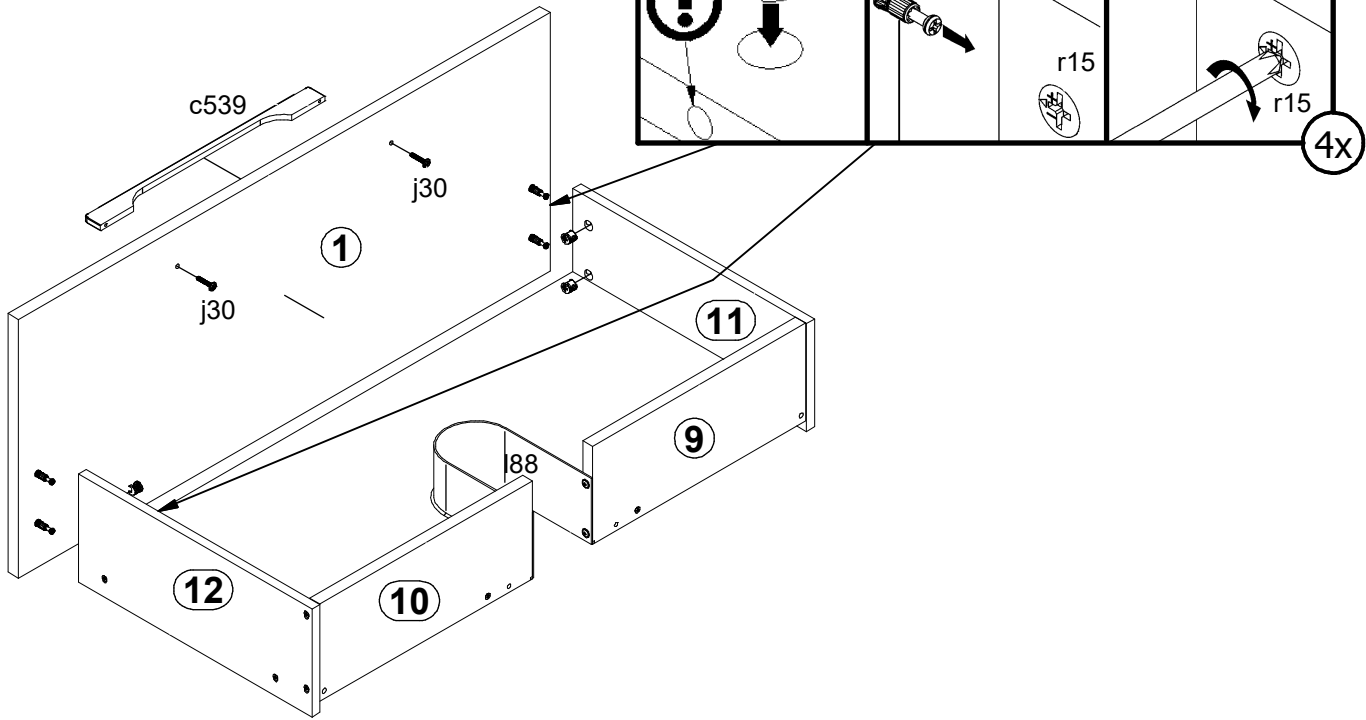
6



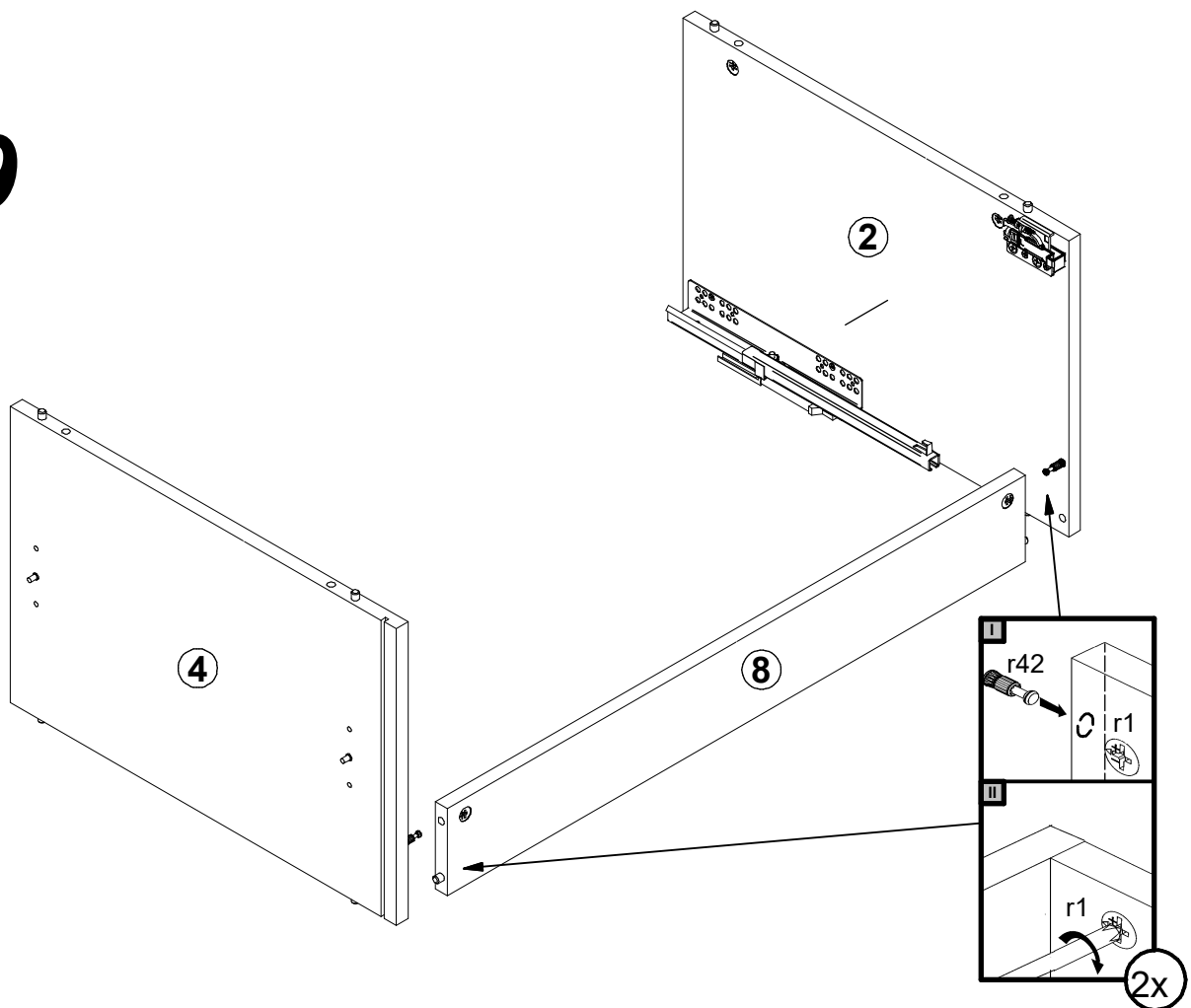
7

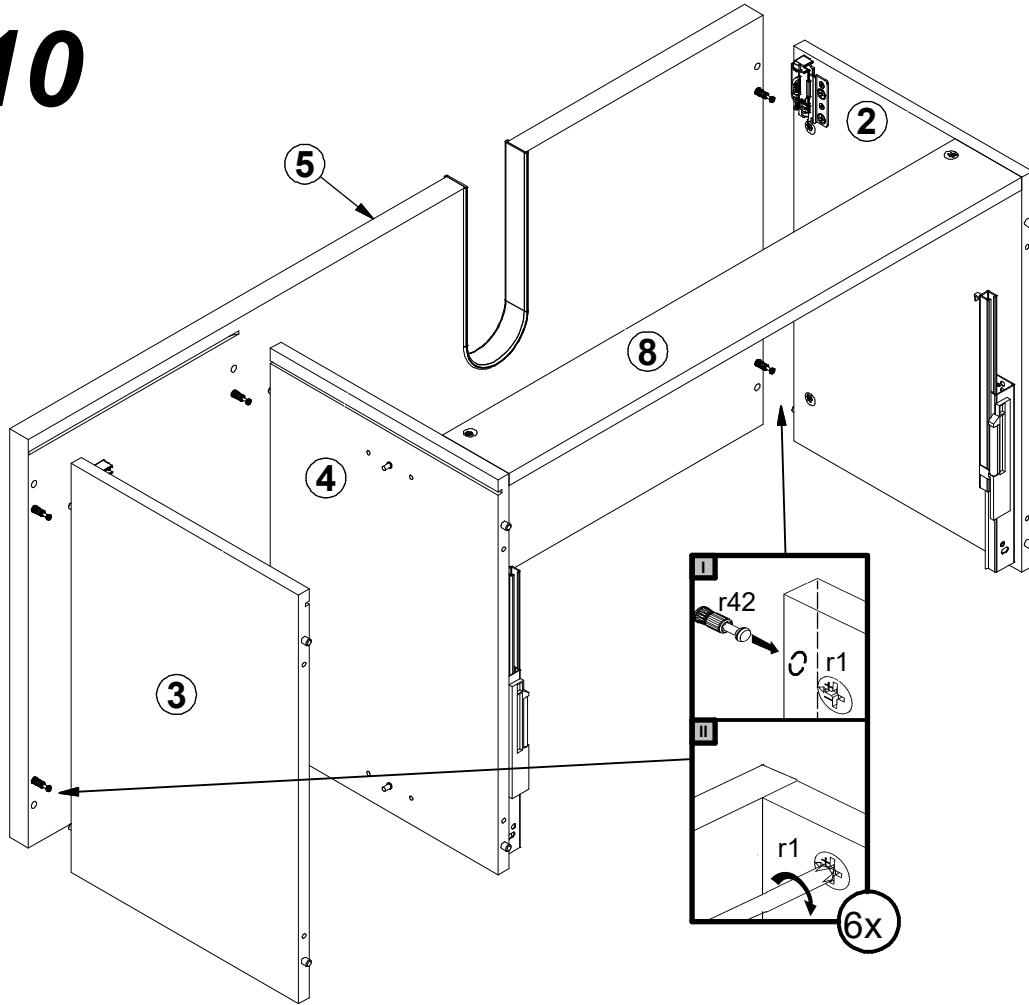
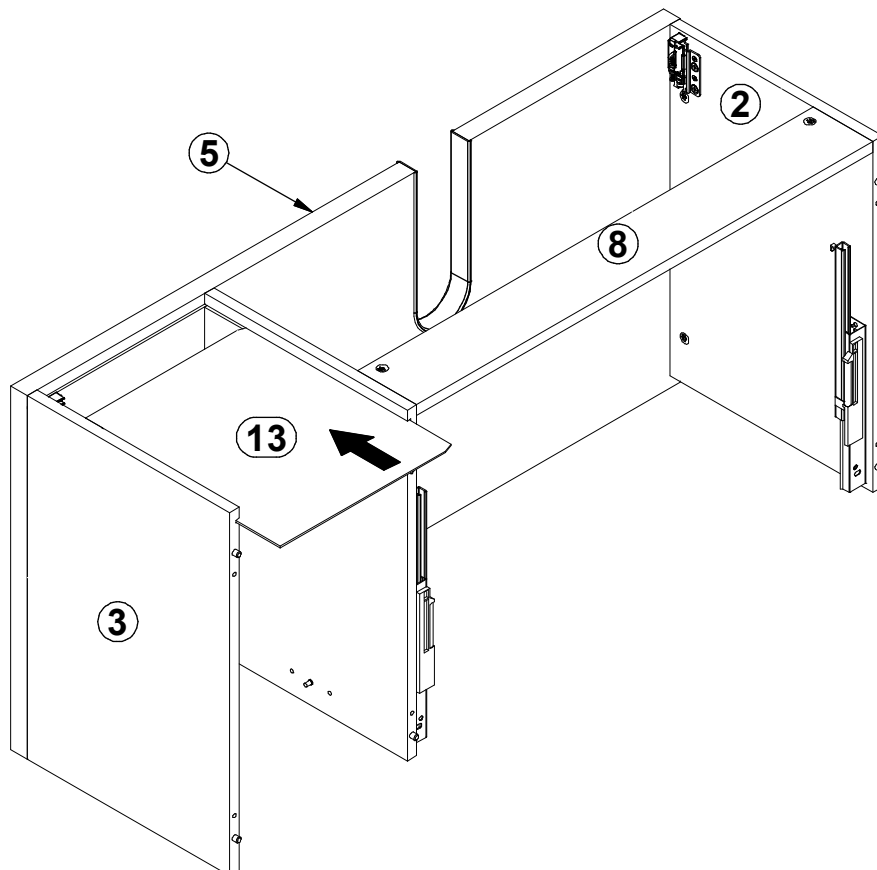


8

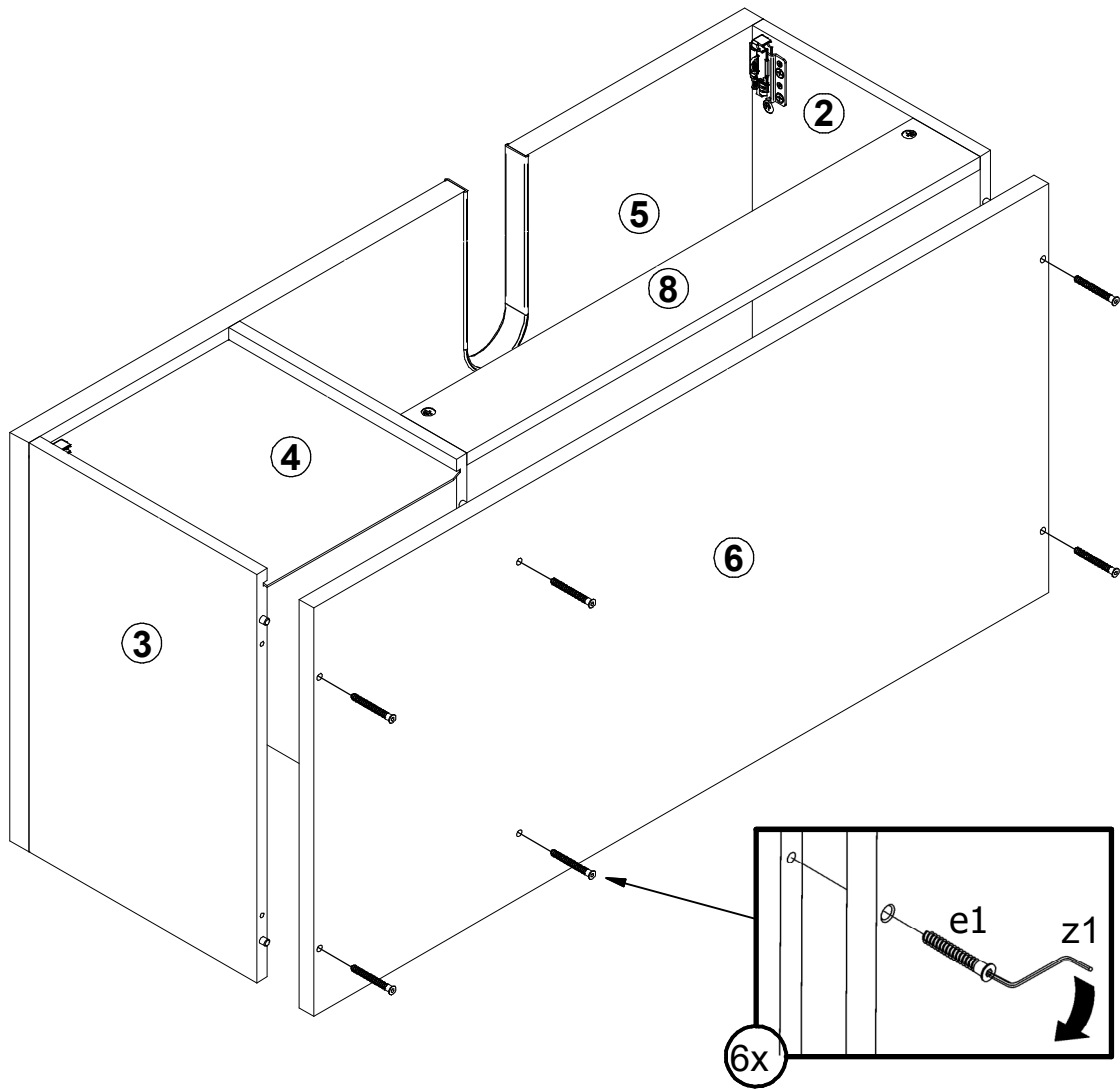


9

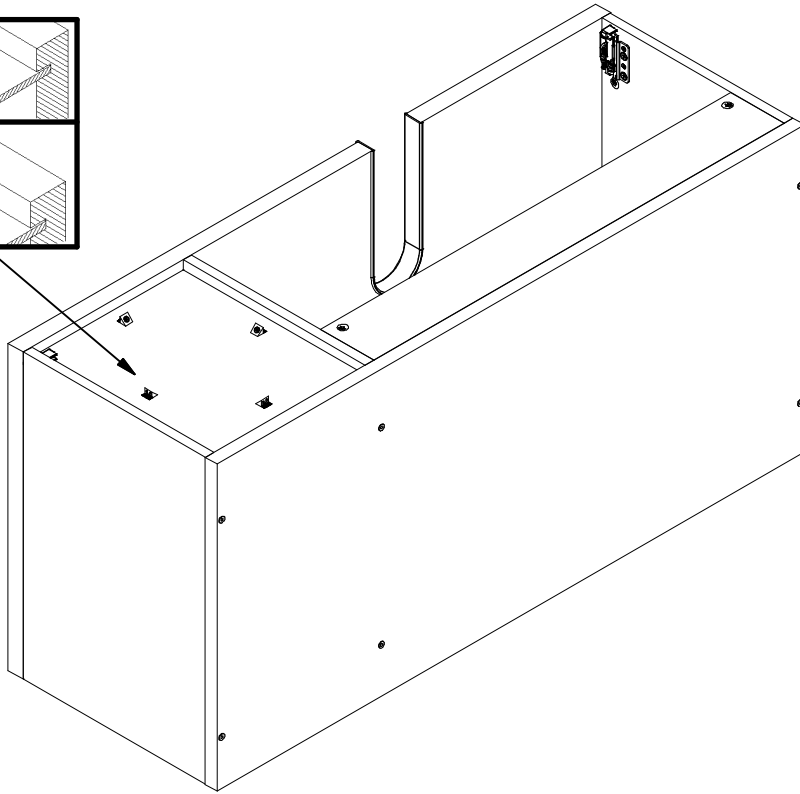
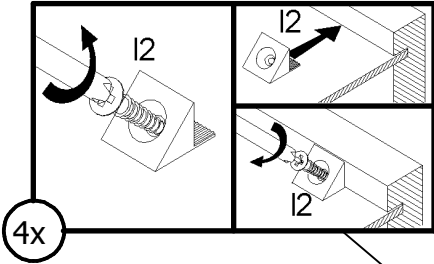


10**11**

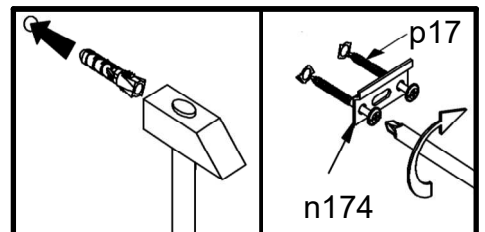
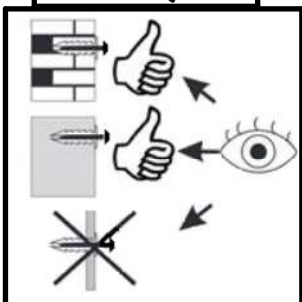
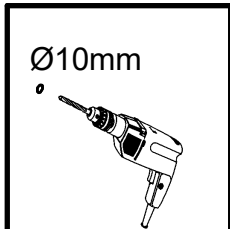
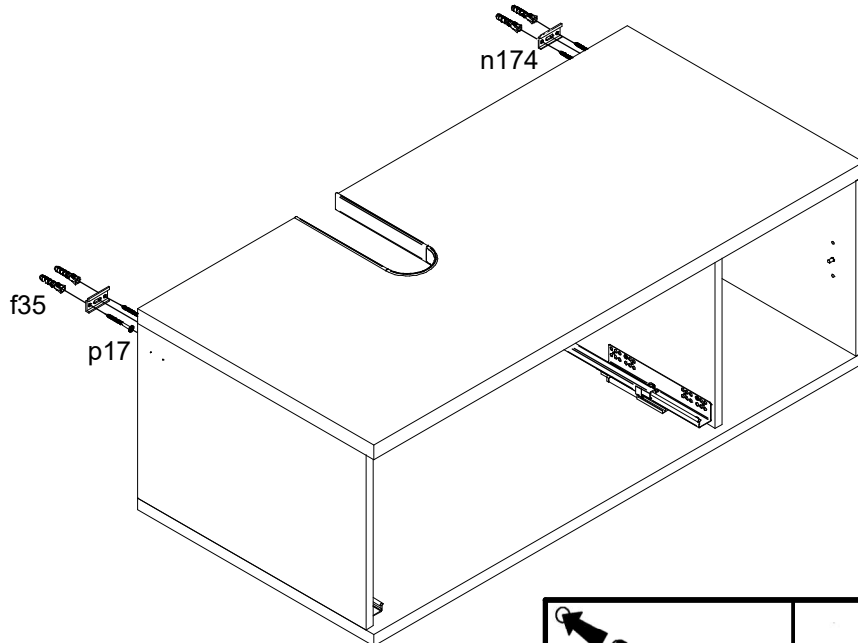
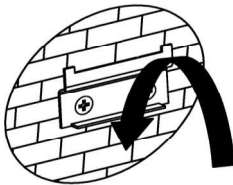
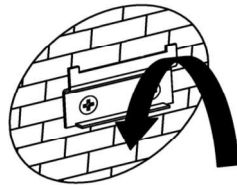
12



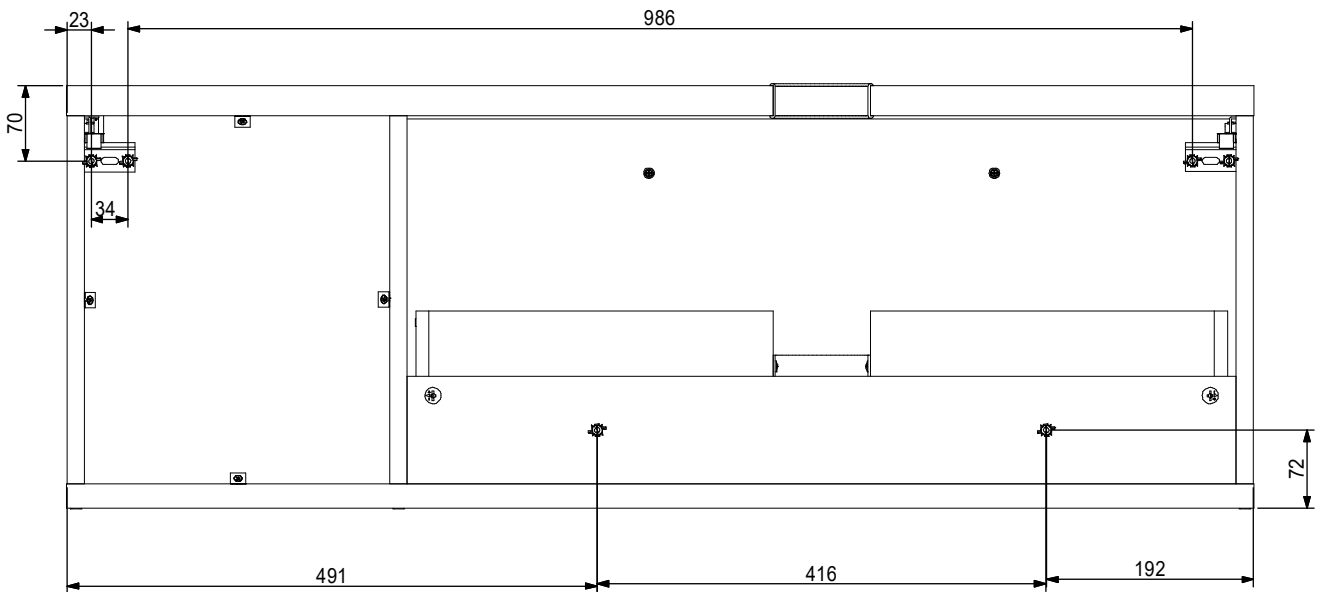
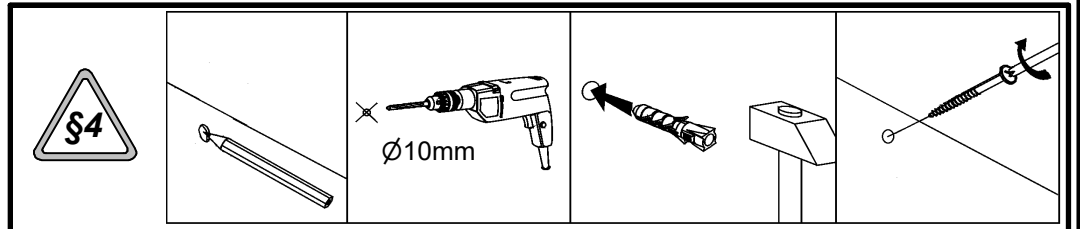
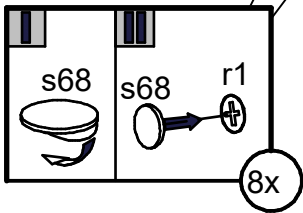
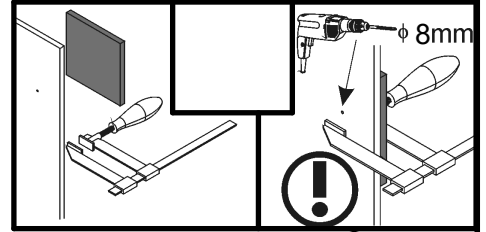
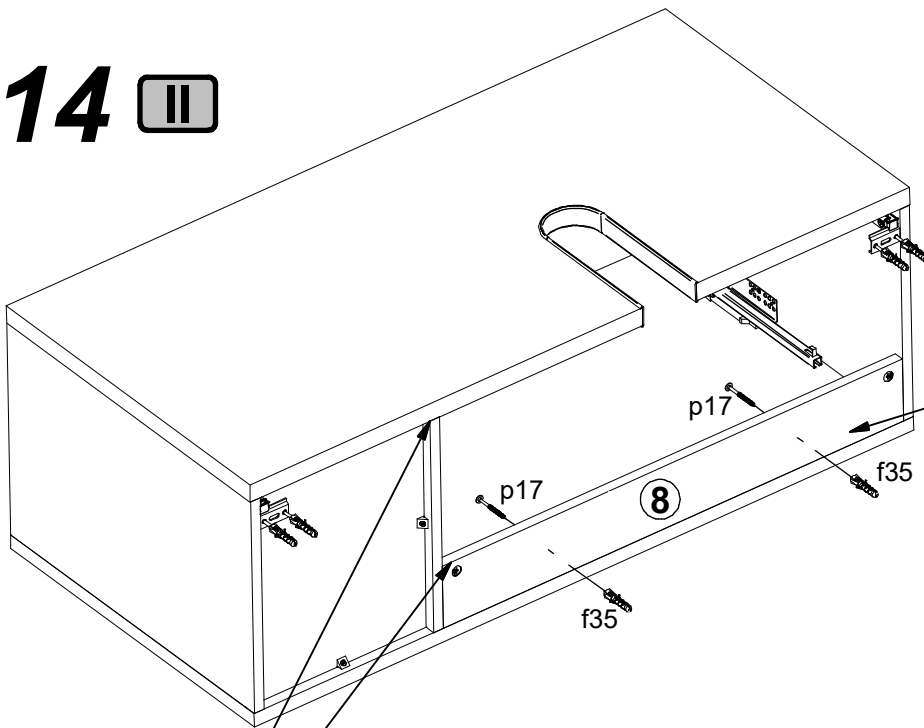
13



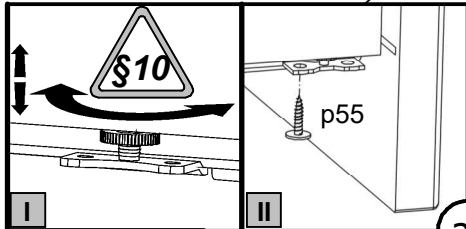
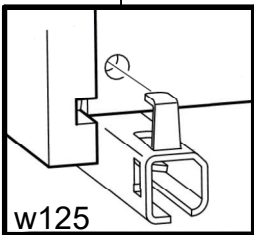
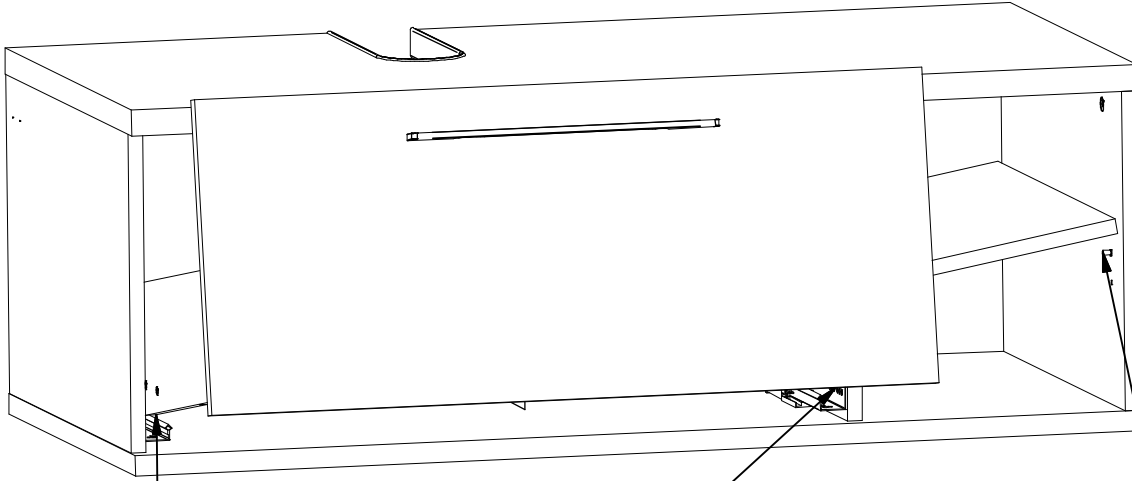
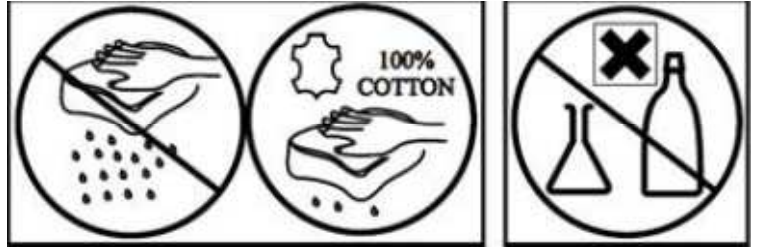
14



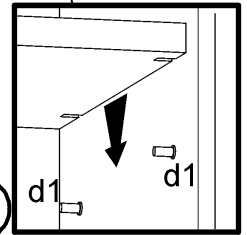
14 II



15



2x



1x

