

1 / 3

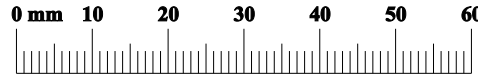
No.	Dimension	Qty.
1	400x140x16	2
2	400x140x16	2
6	1008x472x16	1
7	1008x454x16	1
8	1008x454x16	1
9	1008x472x16	1
16	613x376x16	1
17	613x376x16	1

2 / 3

No.	Dimension	Qty.
11	1024x373x3	1
12	1024x379x3	2
13	1024x373x3	1
14	1520x472x16	1
15	1016x376x16	1
18	1016x376x16	1
20	444x356x16	2

3 / 3

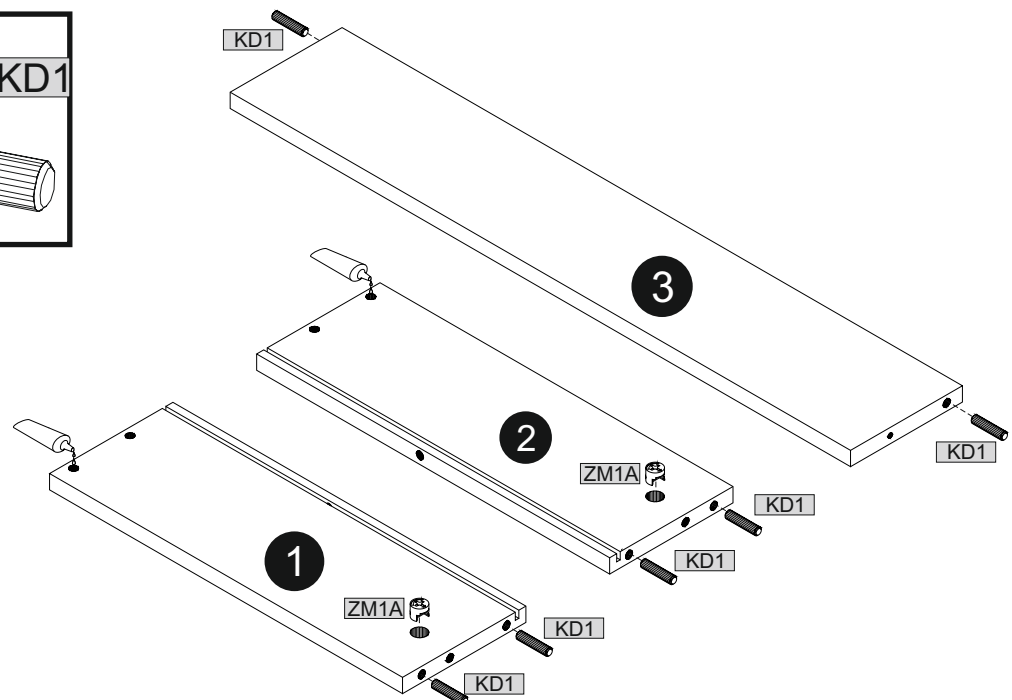
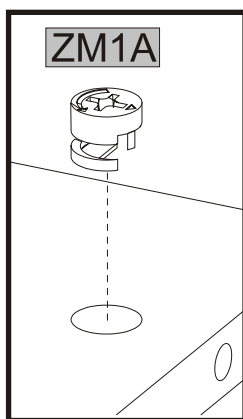
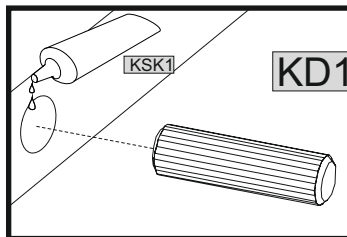
No.	Dimension	Qty.
3	703x127x16	2
4	755x199x16	2
5	717x405x3	2
10	1520x500x22	1
19	743x444x16	1
20	444x356x16	2



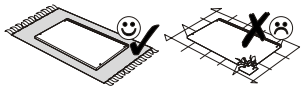
KK1 1	KD1 28	KSK1 1	K1 12	ZM1B 12	ZM1A 12	ZM1 12	WDS1 1		
PP 20	Z1P 6	ZP1 4	W4 20	SS3 6	W6 6	S1 16	PL1 12		
W1 30	PQ5 2	PQ6 2	W11 14	U75 6	WU 12	KS1 2	KRW1 2		

01
X2

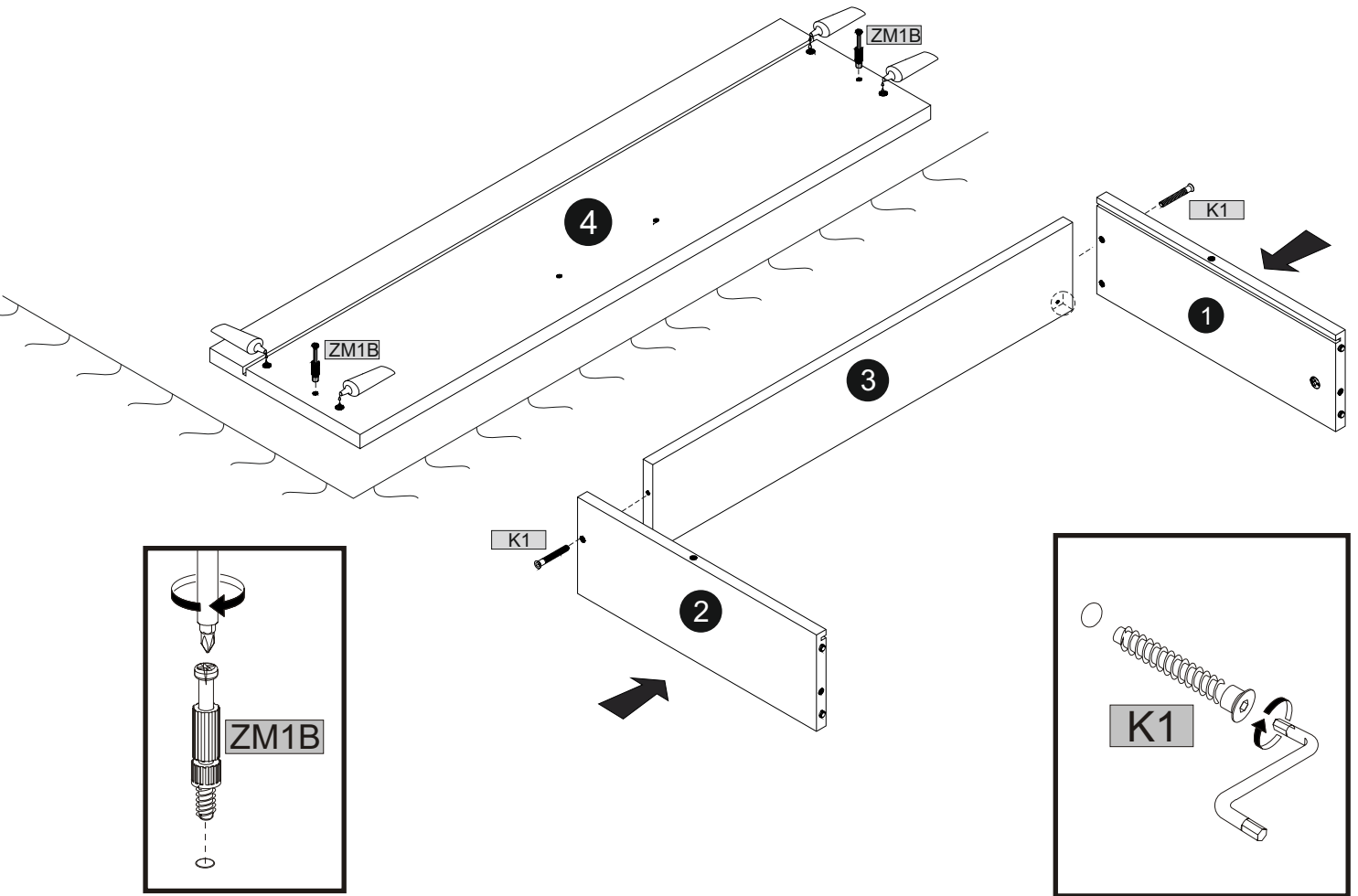
KD1 6	ZM1A 2	KSK1 1	



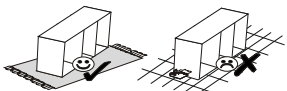
02
X2



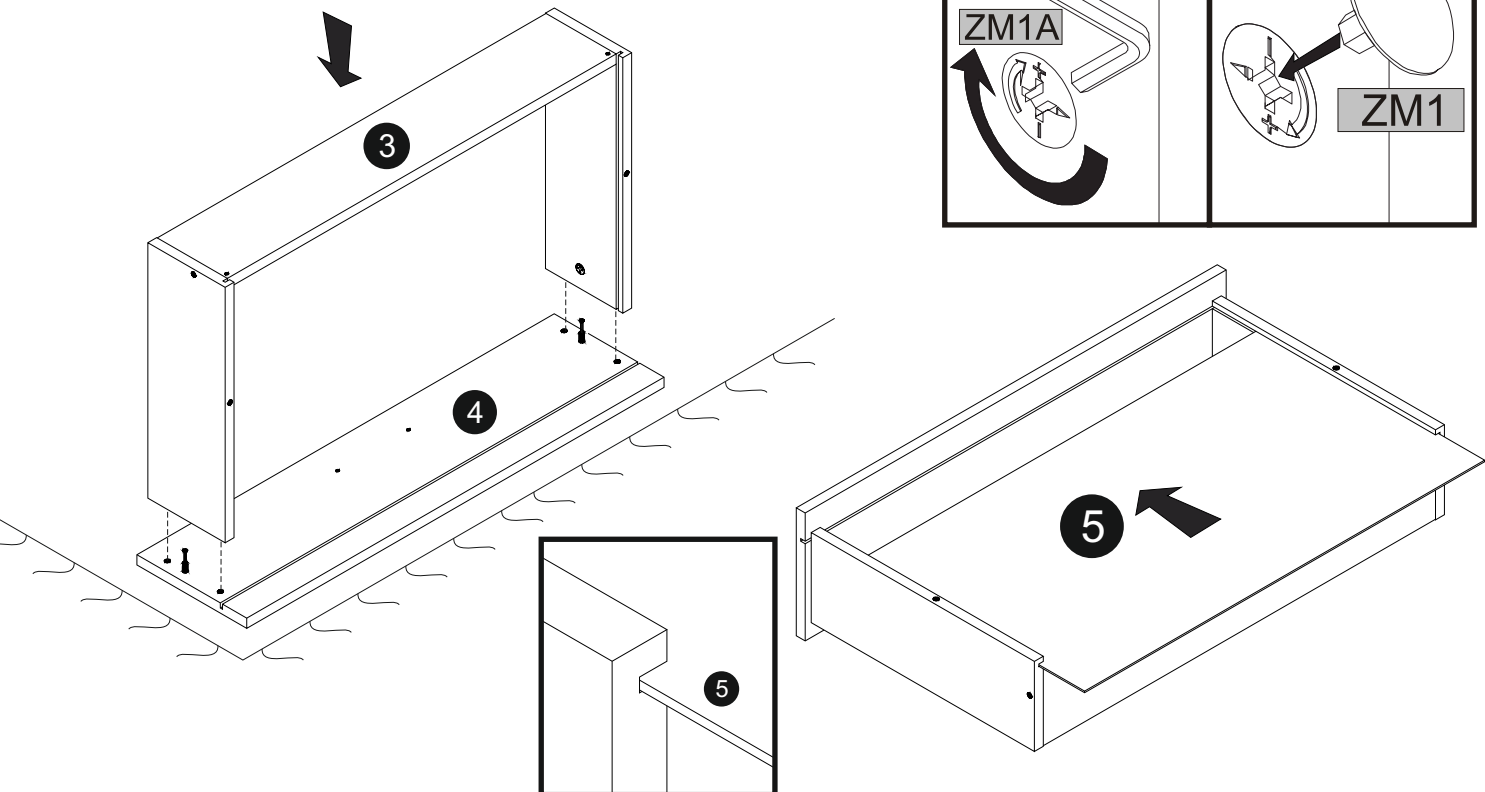
ZM1B	2	KK1	1	K1
			2	KSK1
				1



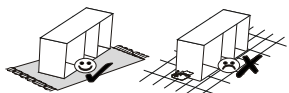
03
X2



KK1	ZM1
1	2

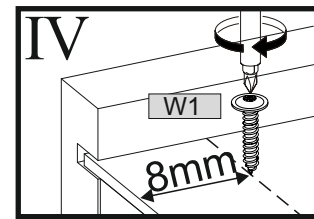
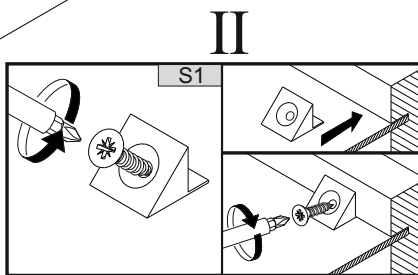
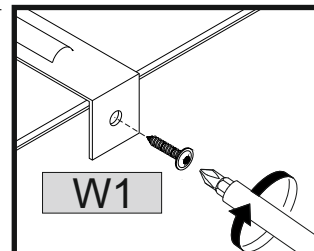
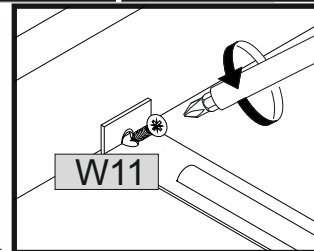
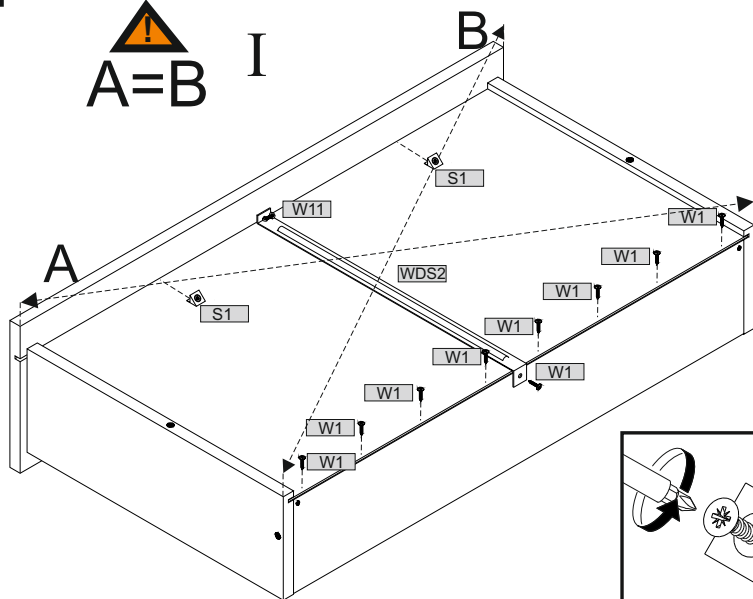


04
X1



	2		9		1		1
S1		W1		WDS2		W11	

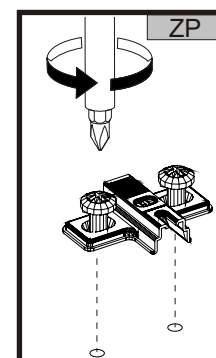
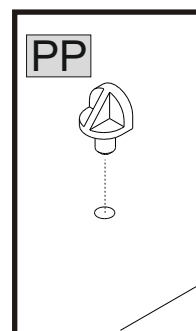
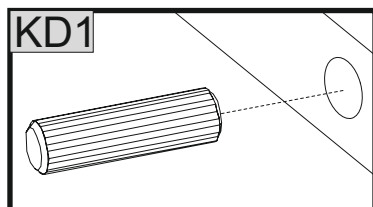
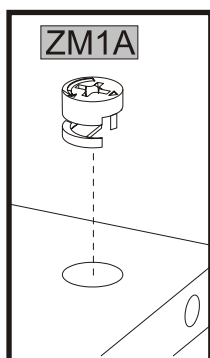
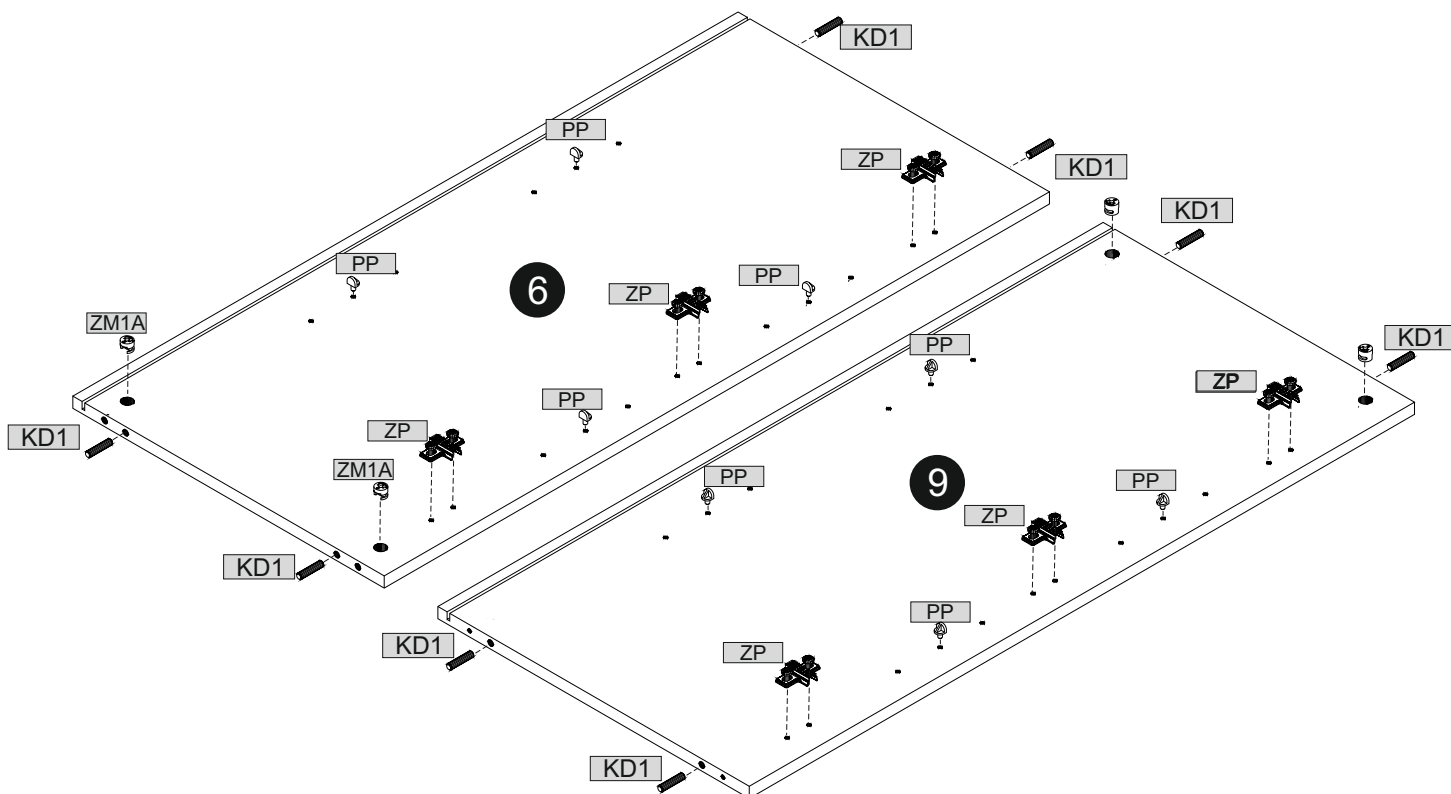
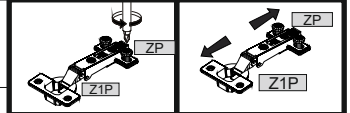
A=B I



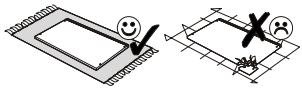
05



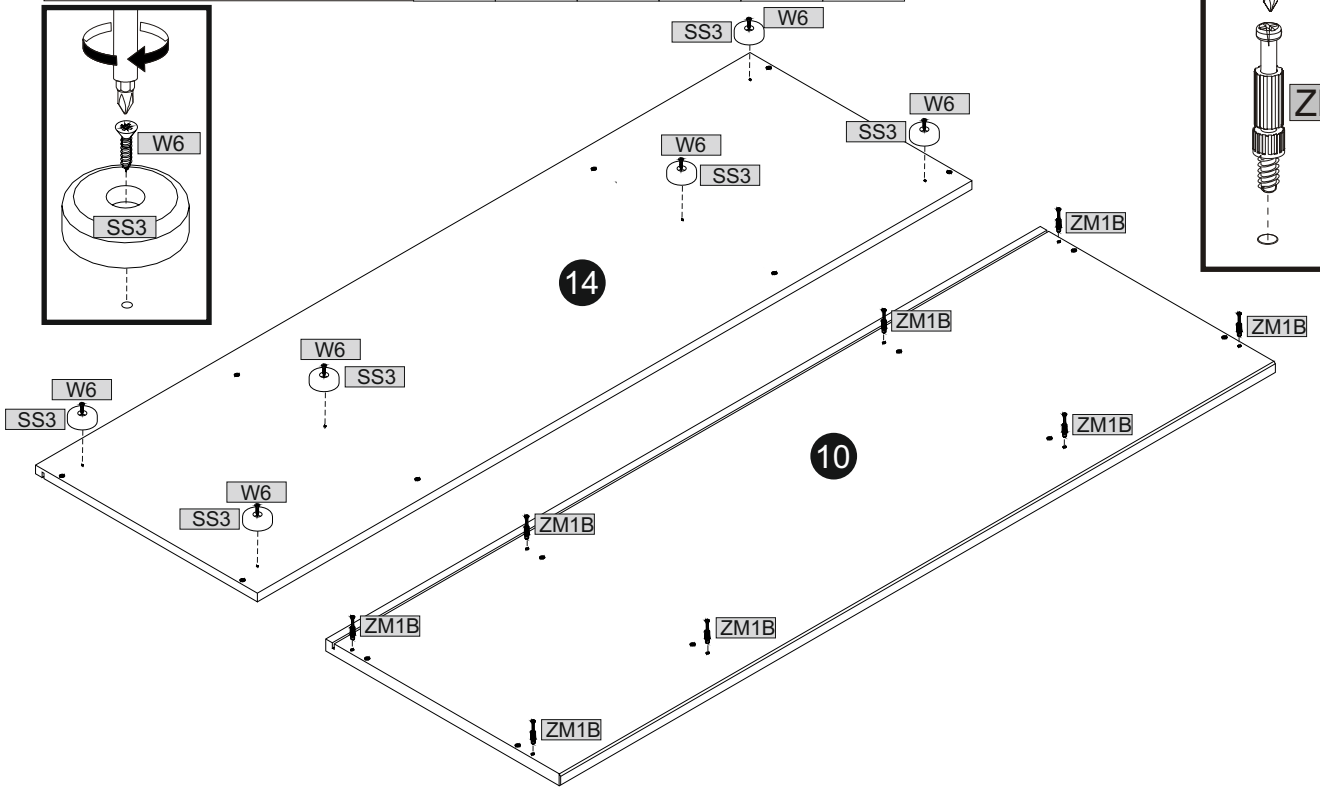
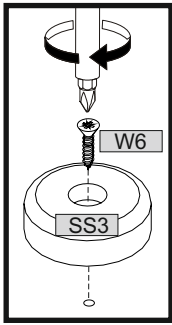
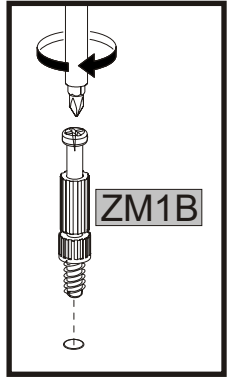
	8		4		8		6
KD1		ZM1A		PP		ZP	



06



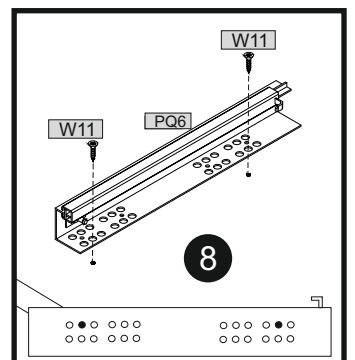
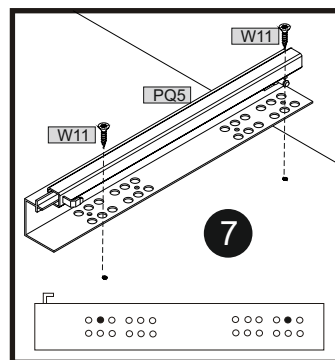
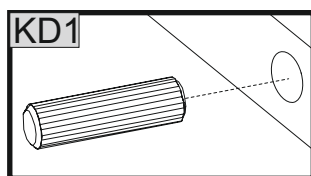
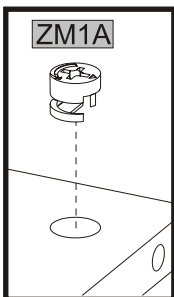
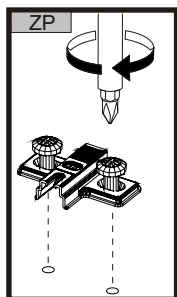
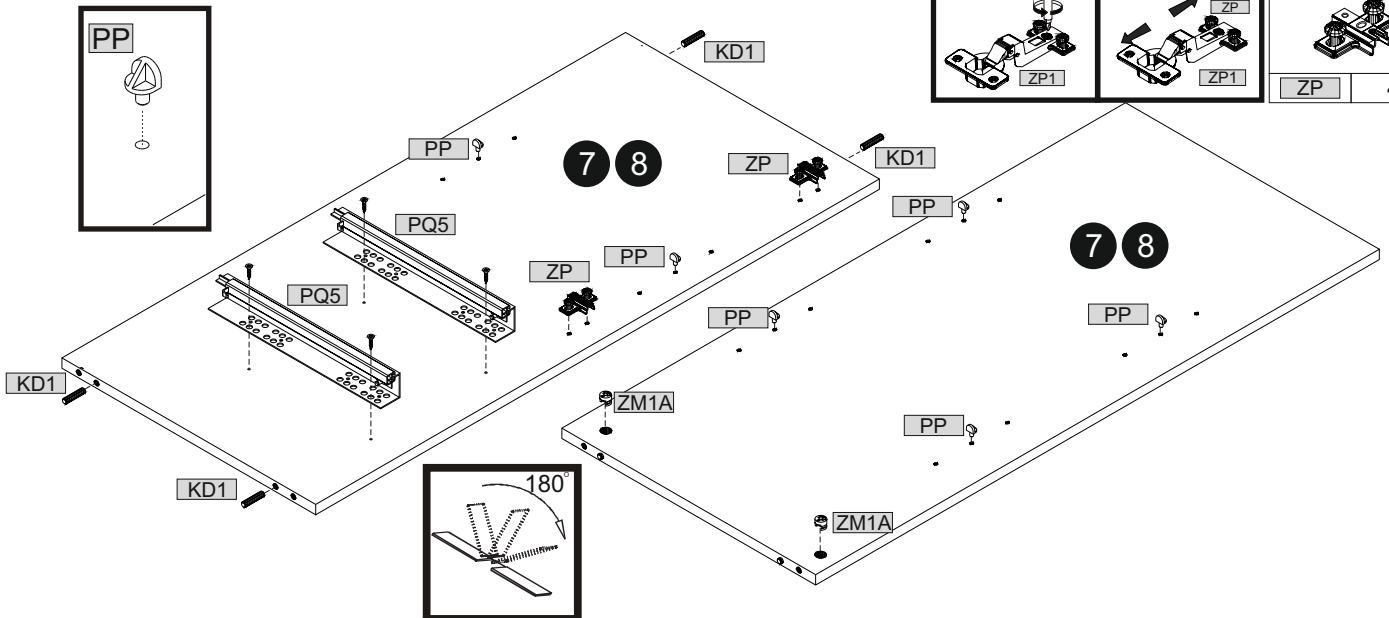
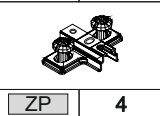
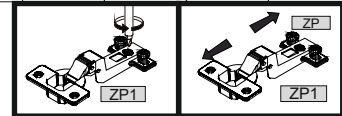
			4x20
ZM1B	8	SS3	6
		W6	6



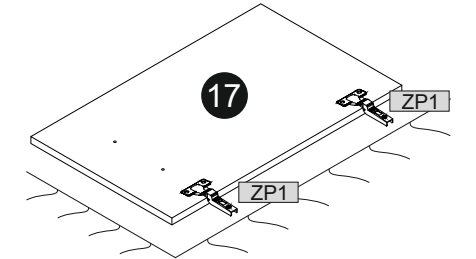
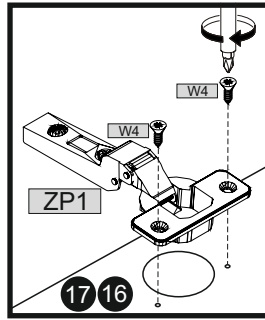
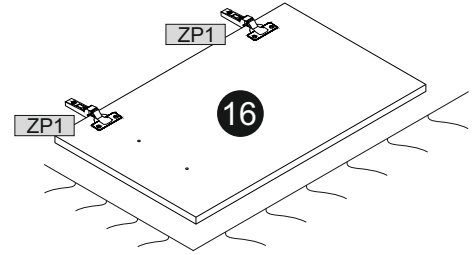
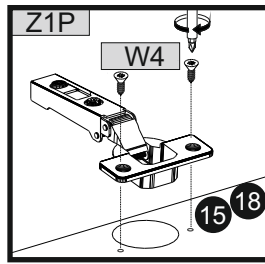
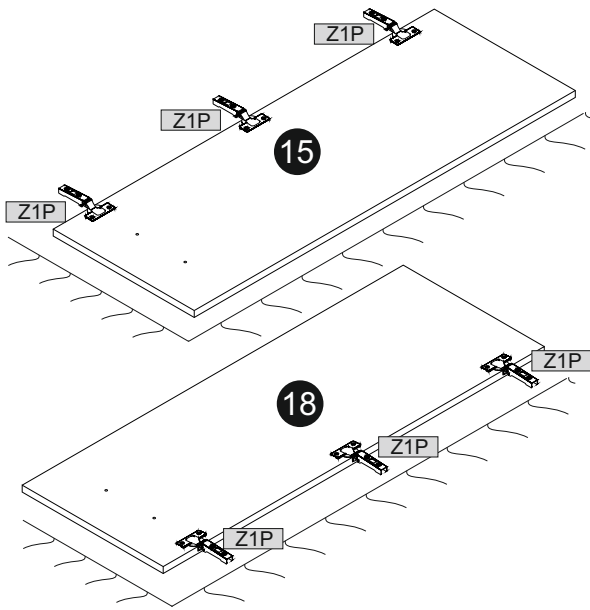
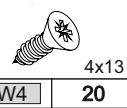
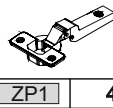
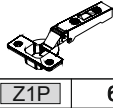
07



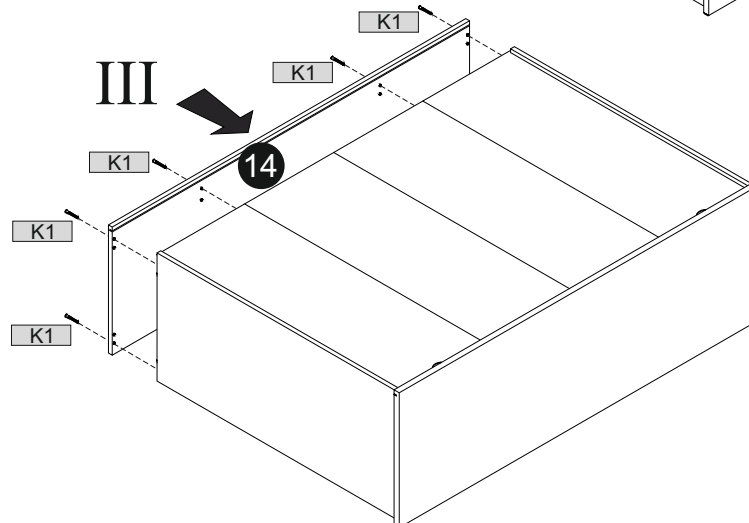
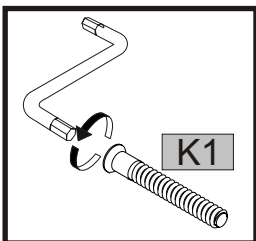
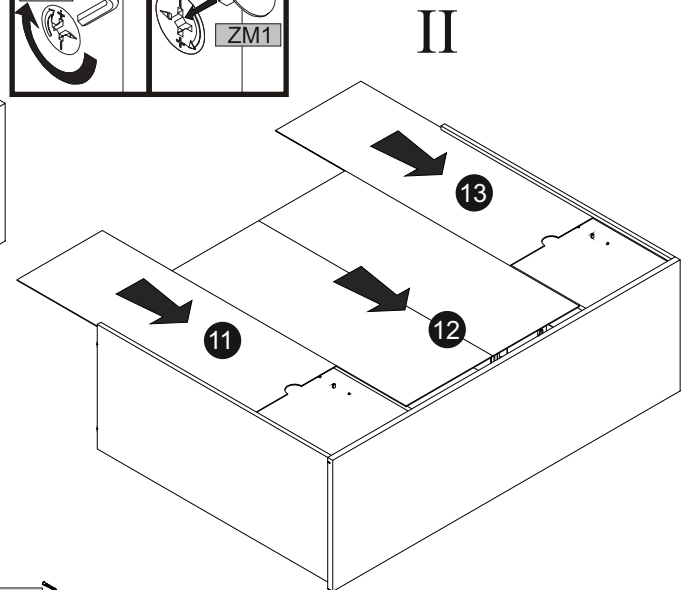
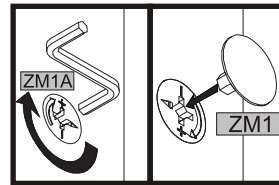
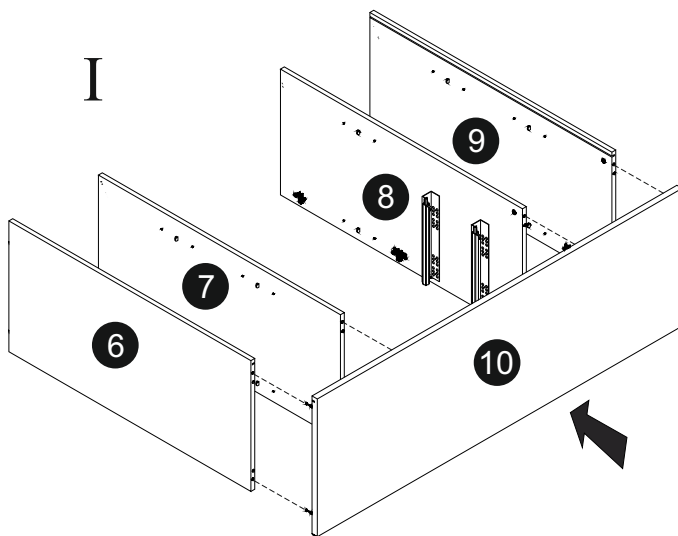
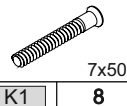
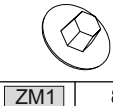
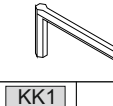
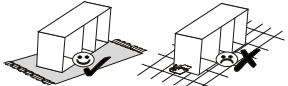
8x35				3,5x16	
KD1	ZM1A	PQ5	PQ6	W11	PP
8	4	2	2	8	12



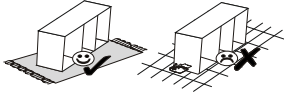
08



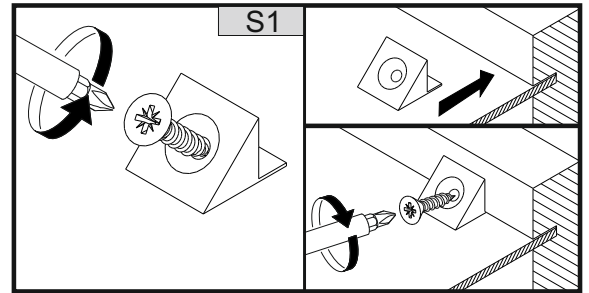
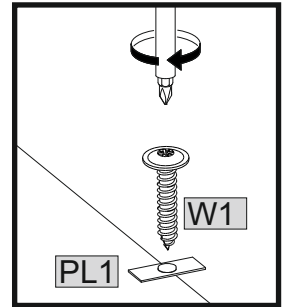
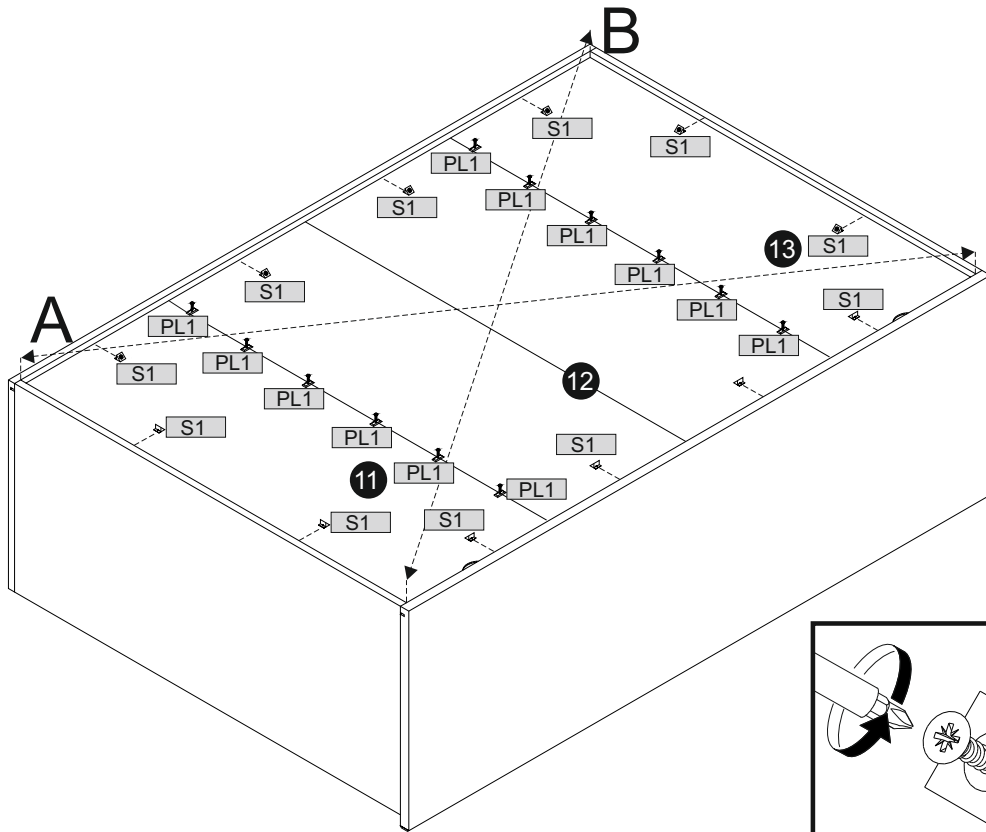
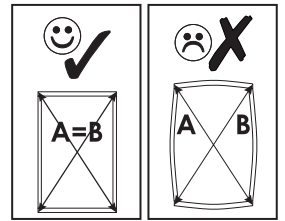
09



10

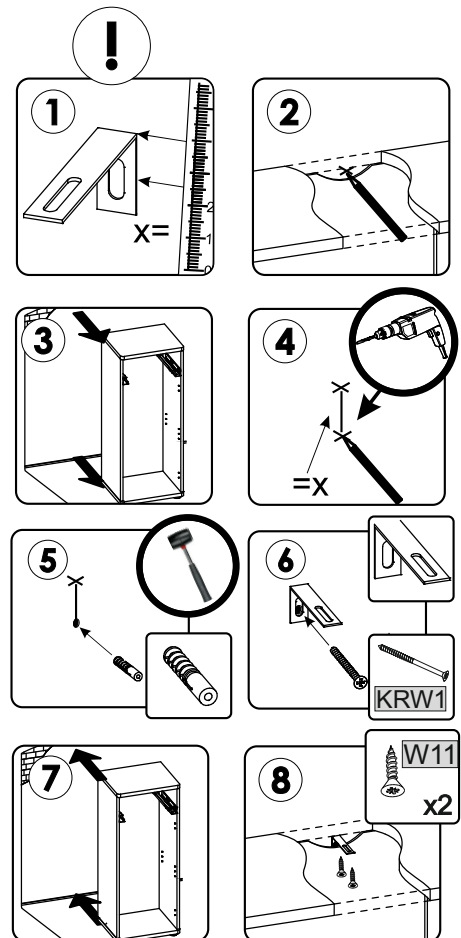
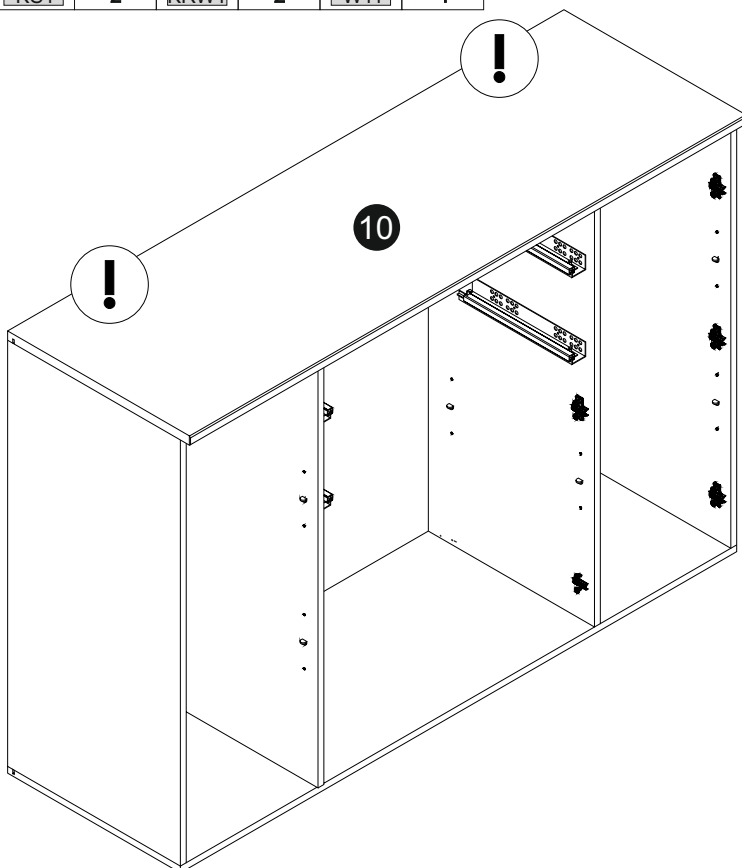


							3x16
S1	12	PL1	12	W1	12		

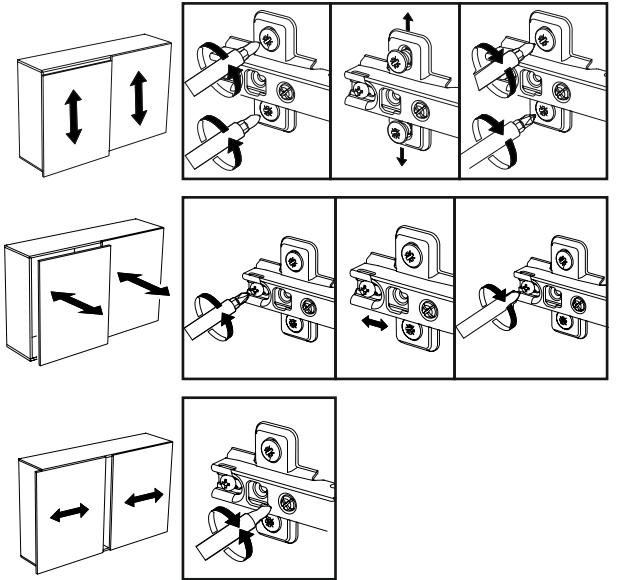
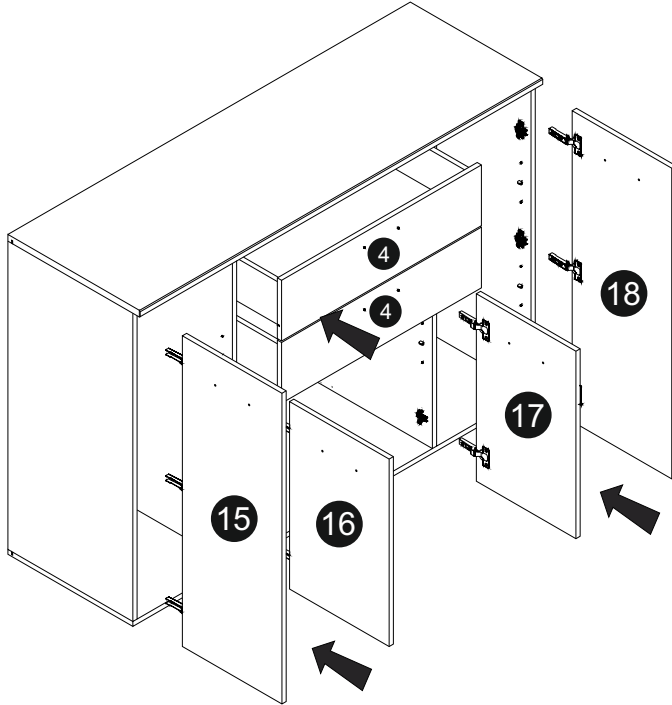
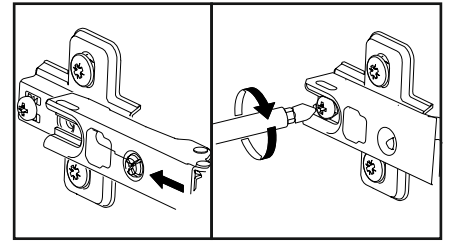
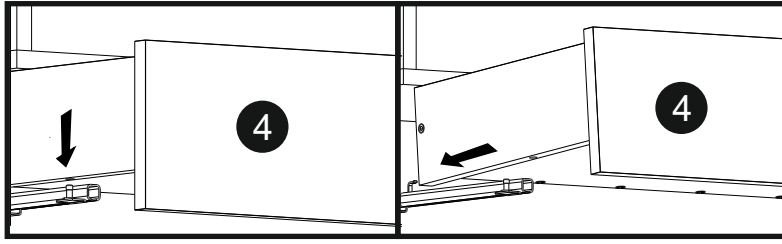


11

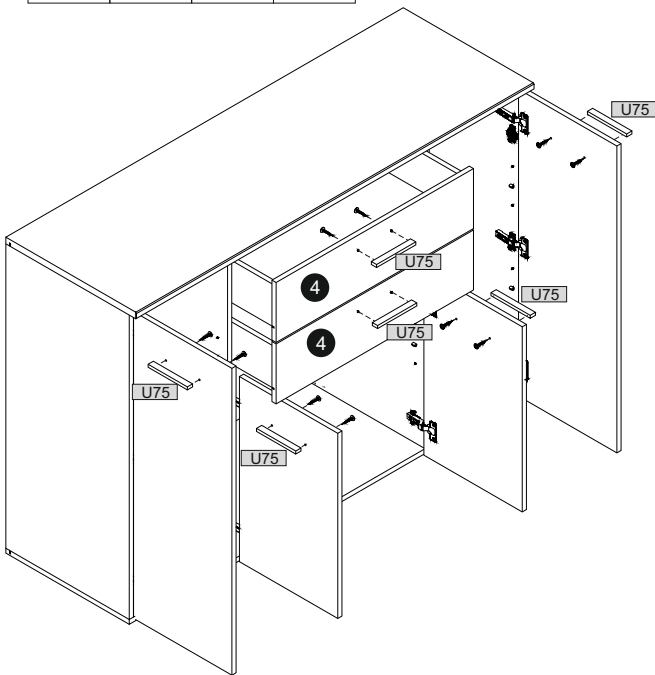
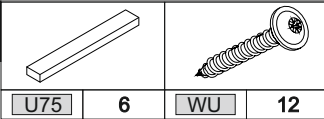
			08x40		3,5x16
KS1	2	KRW1	2	W11	4



12



13



13

