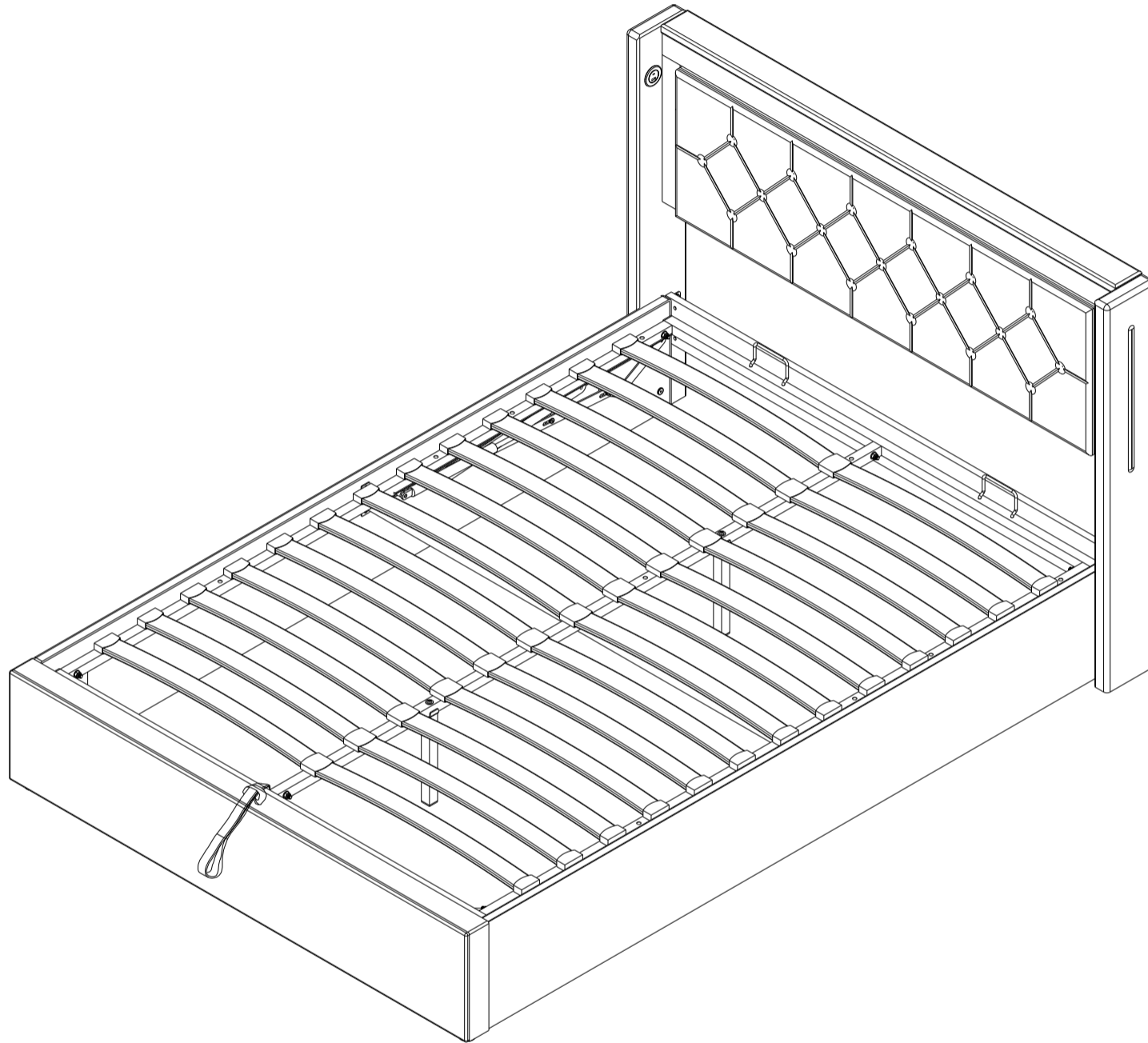


# Montageanleitung | Instructions de montage Assembly Instructions | Instrucciones de montaje

SKU NUMBER: WF312941/WF312942  
WF312943/WF312944



**GB** This set comes in 2 boxes. If you do not receive a full set of 2 boxes, please contact our customer service.

**DE** Dieses Set wird in 2 Schachteln geliefert. Wenn Sie nicht ein komplettes Set von 2 Boxen erhalten, kontaktieren Sie bitte unseren Kundenservice.

**FR** Ce set est livré en 2 boîtes. Si vous ne recevez pas un jeu complet de 2 boîtes, veuillez contacter notre service clientèle.

## English

### IMPORTANT ! KEEP FOR FUTURE REFERENCE : READ CAREFULLY

- To be assembled by an adult. Assembly must be checked by an adult before use
- **WARNING !** Keep all screws, small parts and plastic bags out of the reach of children
- Properly identify all parts before assembling
- Never use your item if any of its parts are broken or missing
- Should any problems arise, please contact our After Sales Service
- Manufacturer's instructions shall be followed at all times
- Care: Clean with a soft, dry cloth. In case of larger stains, carefully rub with a slightly damp, non-abrasive sponge
- Do not jump on the bed

## Français

### IMPORTANT ! CONSERVER POUR RÉFÉRENCE ULTÉRIEURE : LIRE ATTENTIVEMENT

- Le montage doit être effectué par un adulte. Le montage doit être vérifié par un adulte avant utilisation
- **ATTENTION !** Tenir les vis, les petites pièces et les sachets en plastique hors de portée des enfants
- Identifiez correctement toutes les pièces avant de les assembler
- N'utilisez jamais votre article si l'une de ses pièces est cassée ou manquante
- En cas de problème, veuillez contacter notre service après-vente
- Les instructions du fabricant doivent être respectées à tout moment
- Entretien : nettoyer avec un chiffon doux et sec. En cas de taches plus importantes, frotter soigneusement avec une éponge non abrasive légèrement humide. légèrement humide et non abrasive
- Ne pas sauter sur le lit

## Deutsch

### WICHTIG ! ZUM SPÄTEREN NACHSCHLAGEN AUFBEWAHREN: SORGFÄLTIG LESEN

- Muss von einem Erwachsenen zusammengebaut werden. Der Zusammenbau muss vor dem Gebrauch von einem Erwachsenen überprüft werden
- **WARNUNG!** Bewahren Sie alle Schrauben, Kleinteile und Plastikbeutel außerhalb der Reichweite von Kindern auf
- Kennzeichnen Sie vor dem Zusammenbau alle Teile richtig.
- Benutzen Sie Ihren Artikel niemals, wenn Teile gebrochen sind oder fehlen
- Sollten Probleme auftreten, wenden Sie sich bitte an unseren Kundendienst
- Die Anweisungen des Herstellers sind stets zu befolgen
- Pflege: Mit einem weichen, trockenen Tuch reinigen. Bei größeren Flecken vorsichtig mit einem leicht feuchten, nicht scheuernden Schwamm abreiben. nicht scheuernden Schwamm
- Nicht auf das Bett springen

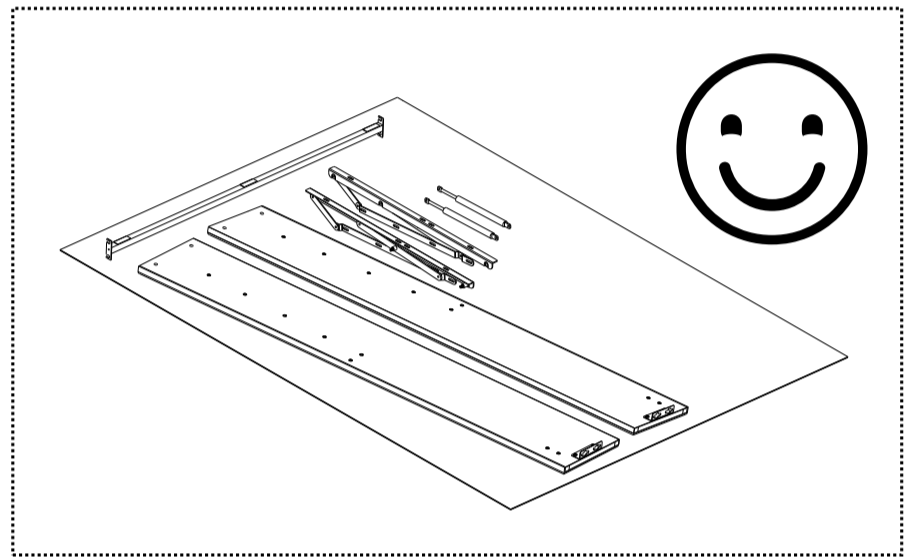
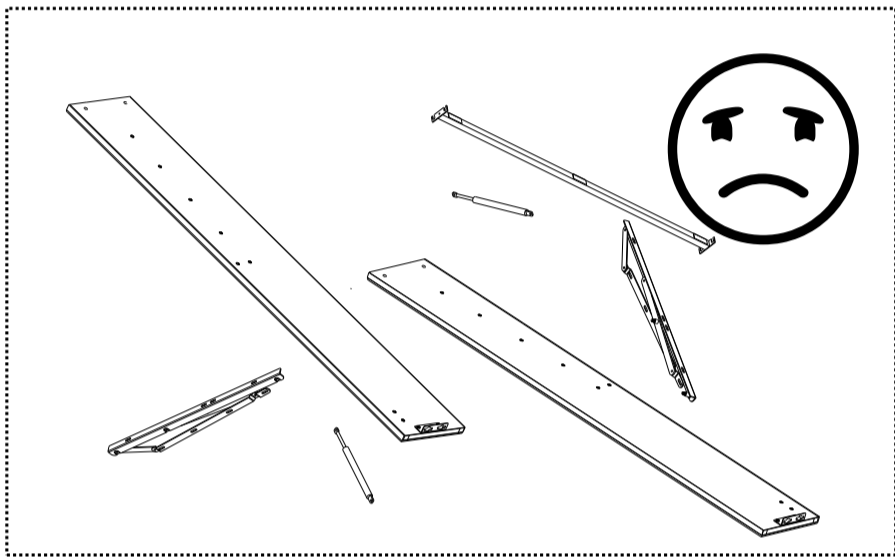
# 💡 More Tips 💡

1

**English** - Before installation, you can place the parts on a carpet or other soft fabric, in order to avoid damaging your floor.

**Français** - Avant l'installation, vous pouvez placer les pièces sur un tapis ou un autre tissu doux, afin d'éviter d'endommager votre sol.

**Deutsch** - Vor der Installation können Sie die Teile auf einen Teppich oder ein anderes weiches Material legen, um eine Beschädigung Ihres Fußbodens zu vermeiden.

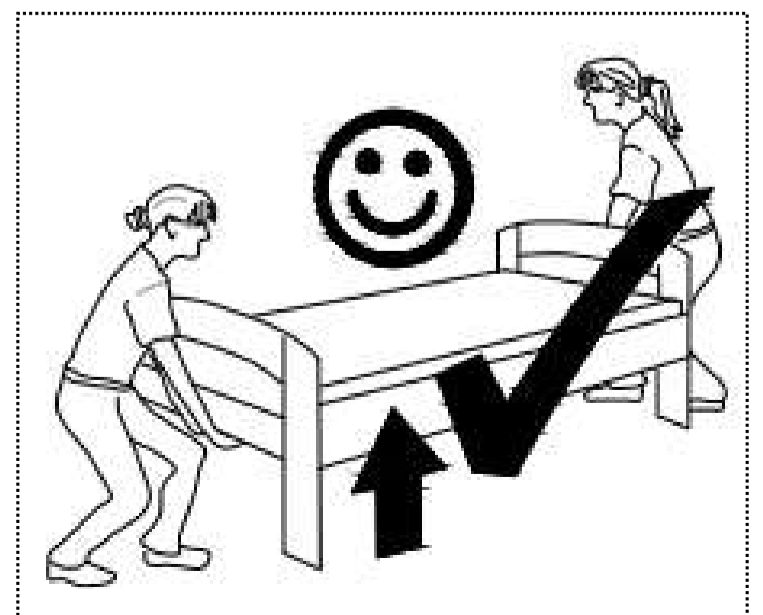


2

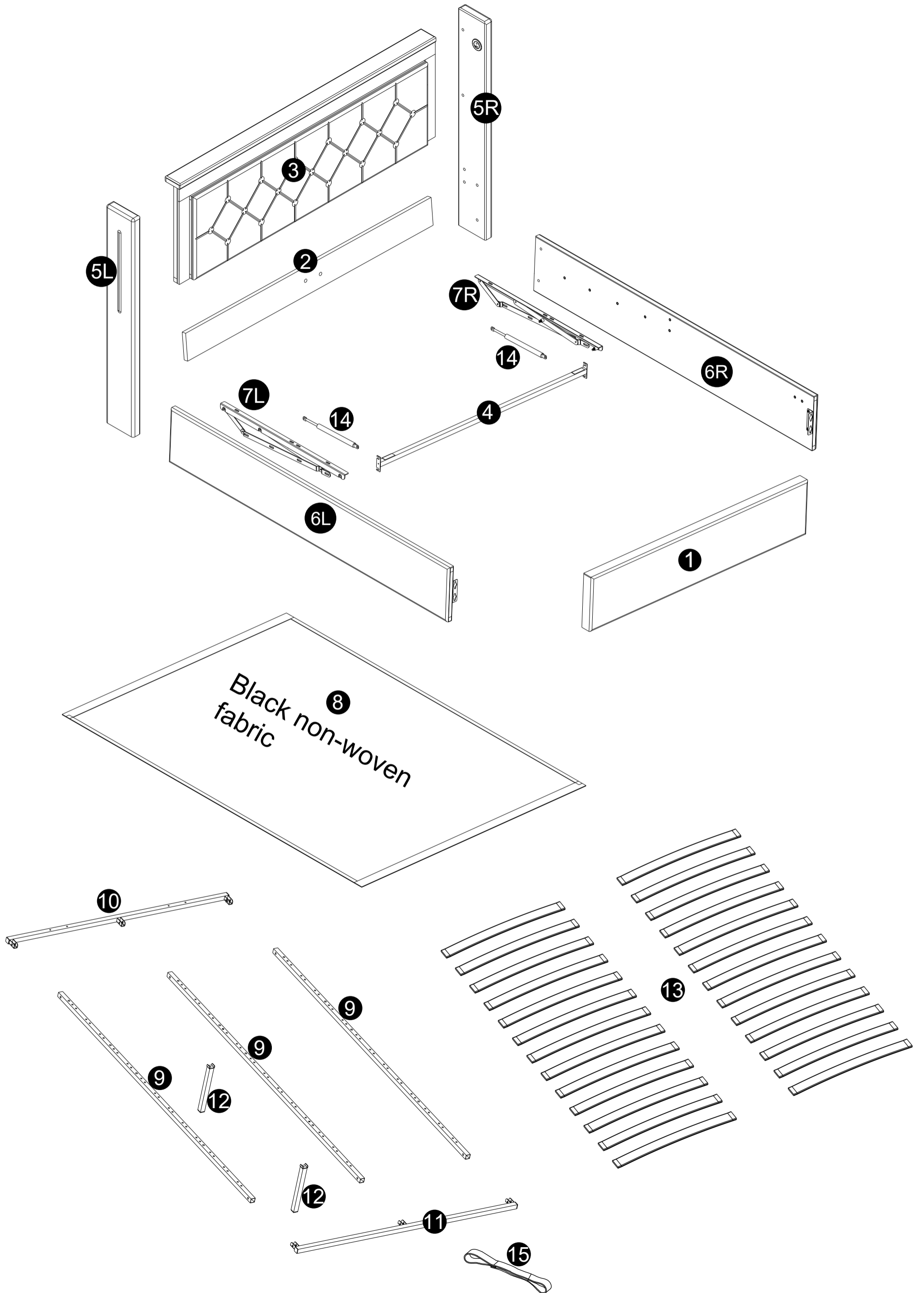
**English** - For your and your family's safety, please do not jump on beds, especially with hydraulic structures. When need to move bed, please work with more than one person to lift, not push, to avoid scratching your floor and hurting the stability of the bed.

**Français** - Pour votre sécurité et celle de votre famille, ne sautez pas sur les lits, en particulier sur les structures hydrauliques. Lorsqu'il est nécessaire de déplacer le lit, il est préférable de travailler à plusieurs pour le soulever, et non pour le pousser, afin d'éviter de rayer le sol et de nuire à la stabilité du lit.

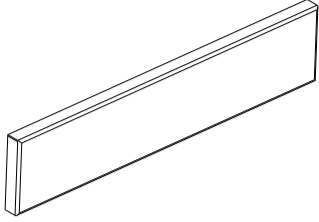
**Deutsch** - Zu Ihrer Sicherheit und der Ihrer Familie sollten Sie nicht auf Betten springen, insbesondere bei hydraulischen Konstruktionen. Wenn Sie das Bett bewegen müssen, heben Sie es bitte mit mehreren Personen an und schieben Sie es nicht, um den Boden nicht zu verkratzen und die Stabilität des Bettes nicht zu beeinträchtigen.

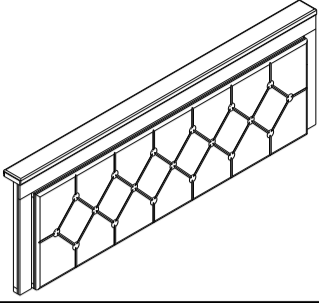


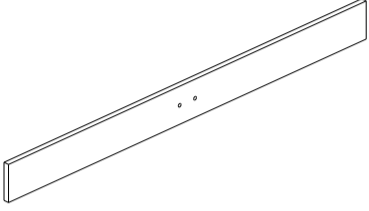
# Stückliste

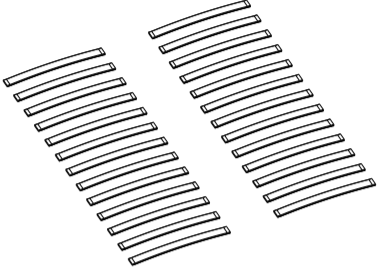


# WF312941/WF312943

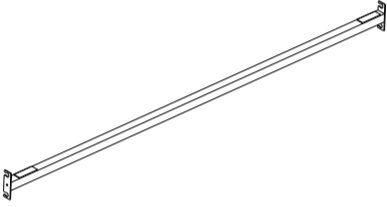
<b>1</b>		X1
----------	---	----

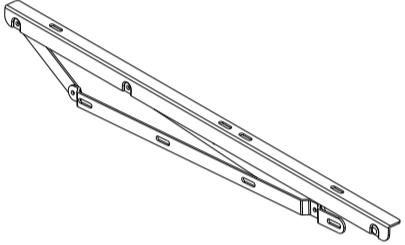
<b>3</b>		X1
----------	--	----

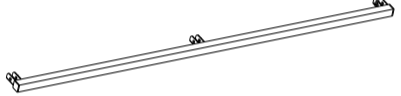
<b>2</b>		X1
----------	---	----


<b>13</b>		X1
-----------	--	----

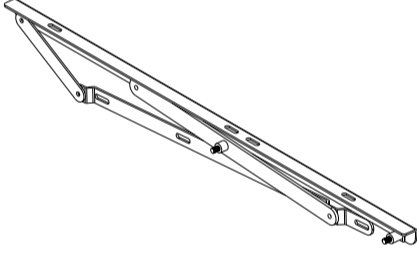
# WF312942/WF312944

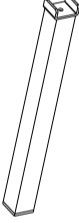
<b>4</b>		X1
----------	---	----


<b>7L</b>		X1
-----------	--	----

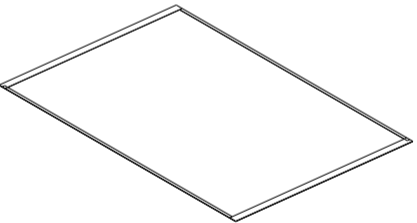
<b>11</b>		X1
-----------	---	----

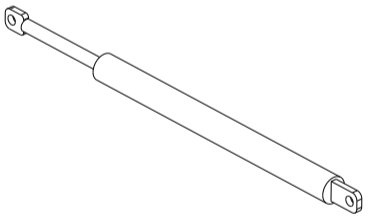
<b>5L</b>		X1
-----------	---	----

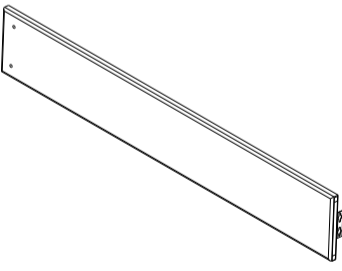
<b>7R</b>		X1
-----------	--	----

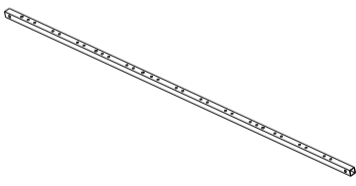
<b>12</b>		X2
-----------	---	----

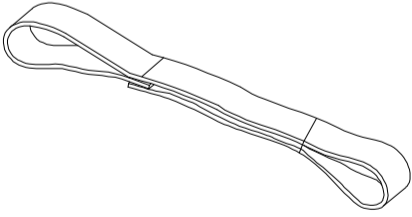
<b>5R</b>		X1
-----------	---	----

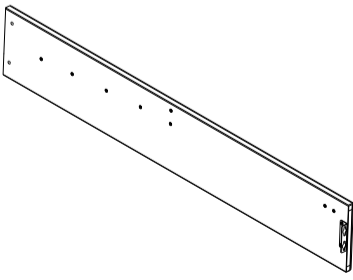
<b>8</b>		X1
----------	--	----

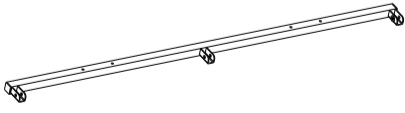
<b>14</b>		X2
-----------	---	----

<b>6L</b>		X1
-----------	---	----

<b>9</b>		X3
----------	--	----

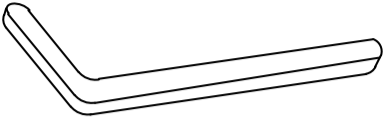
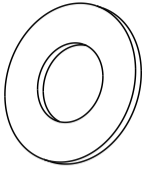
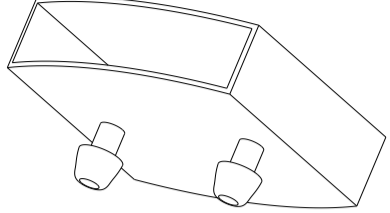
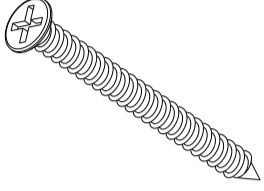
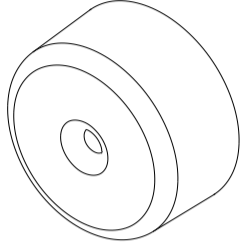
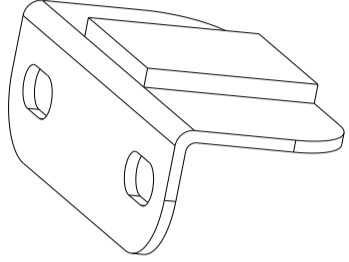

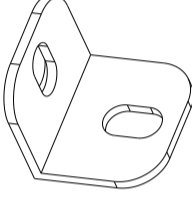
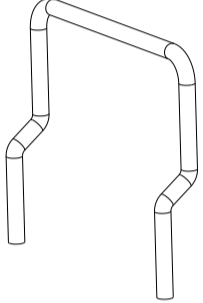
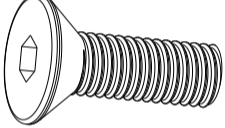
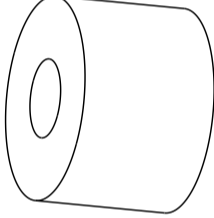
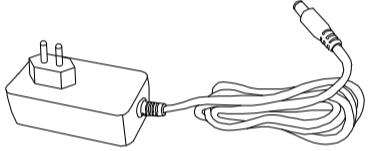
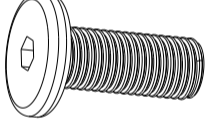
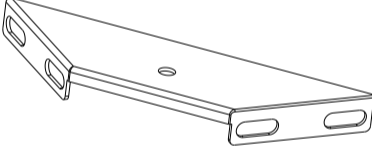
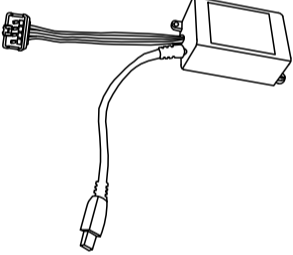
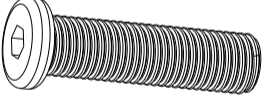
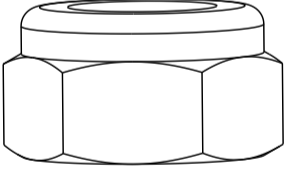
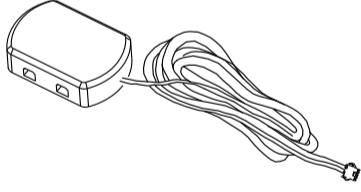
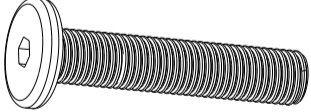
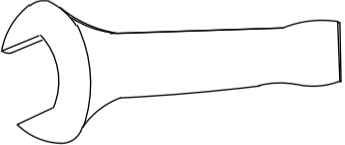
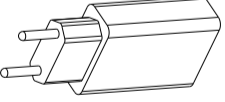
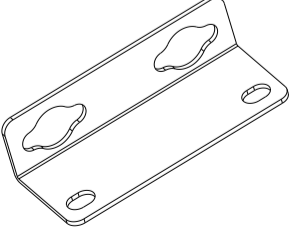
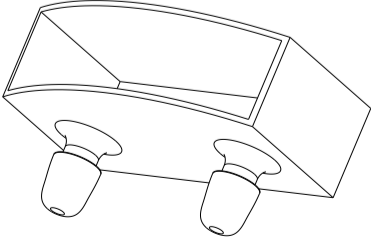
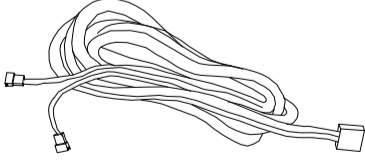
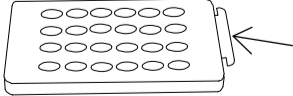
<b>15</b>		X1
-----------	---	----

<b>6R</b>		X1
-----------	---	----

<b>10</b>		X1
-----------	--	----

# Hardware List-Hardware-Liste-Liste du matériel

## WF312942/WF312944

<b>A</b>		X1	<b>J</b>		X12	<b>R</b>		X13
<b>B</b>	 M4x40mm	X2	<b>K</b>		X2	<b>S</b>		X2
<b>C</b>	 M6x35mm	X2	<b>L</b>		X4	<b>T</b>		X2
<b>D</b>	 M8x18mm	X4	<b>M</b>		X8	<b>U</b>		X1
<b>E</b>	 M8x20mm	X32	<b>N</b>		X2	<b>V</b>		X1
<b>F</b>	 M8x30mm	X8	<b>O</b>	 M8	X16	<b>W</b>		X1
<b>G</b>	 M8x40mm	X16	<b>P</b>		X1	<b>X</b>		X1
<b>H</b>		X2	<b>Q</b>		X26	<b>Y</b>		X1
						<b>Z</b>		X1

1

A x 1

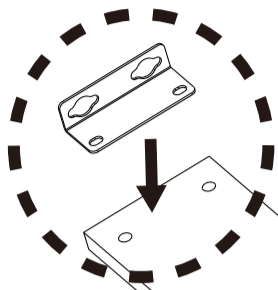
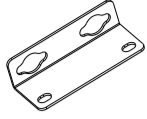


E x 4

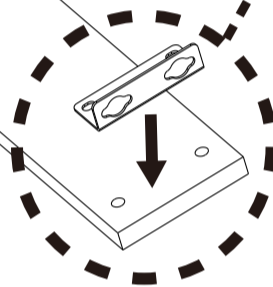
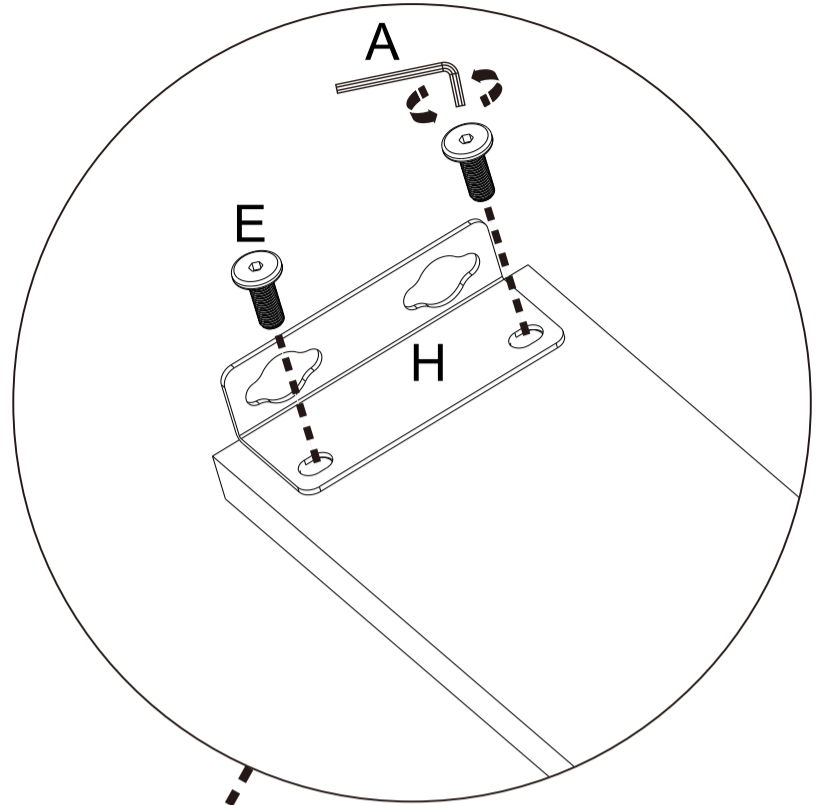


M8 x 20mm

H x 2



2



2

A x 1

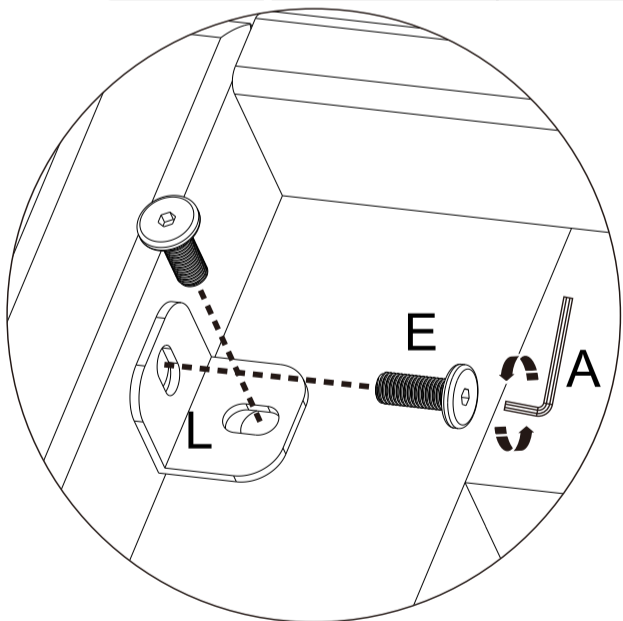
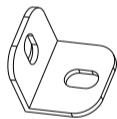


E x 12



M8 x 20mm

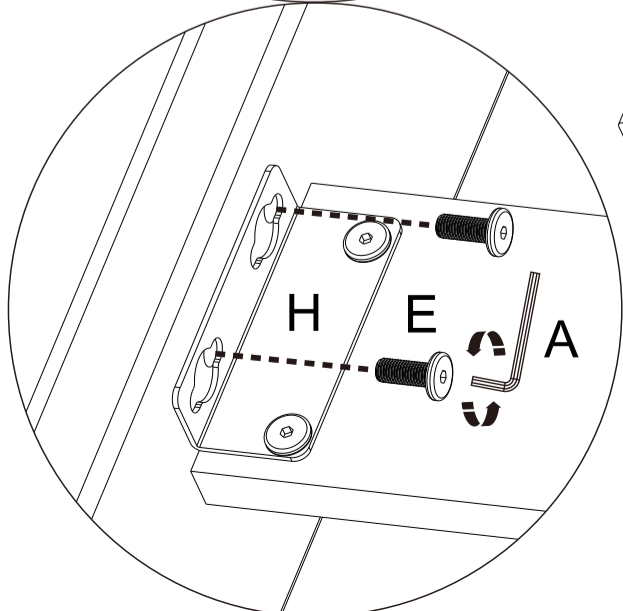
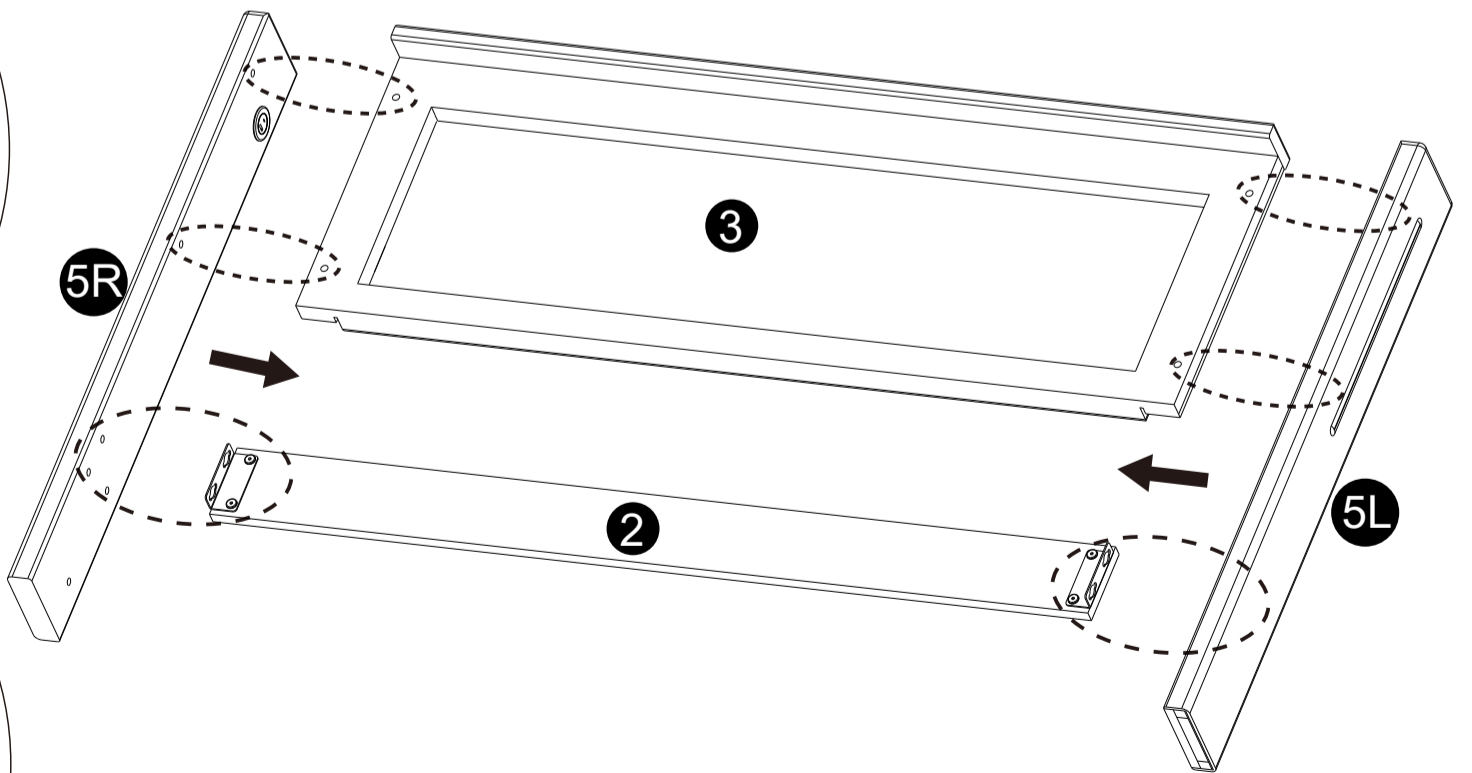
L x 4



5R

3

5L



3

A x 1



B x 2



M4 x 40mm

E x 4

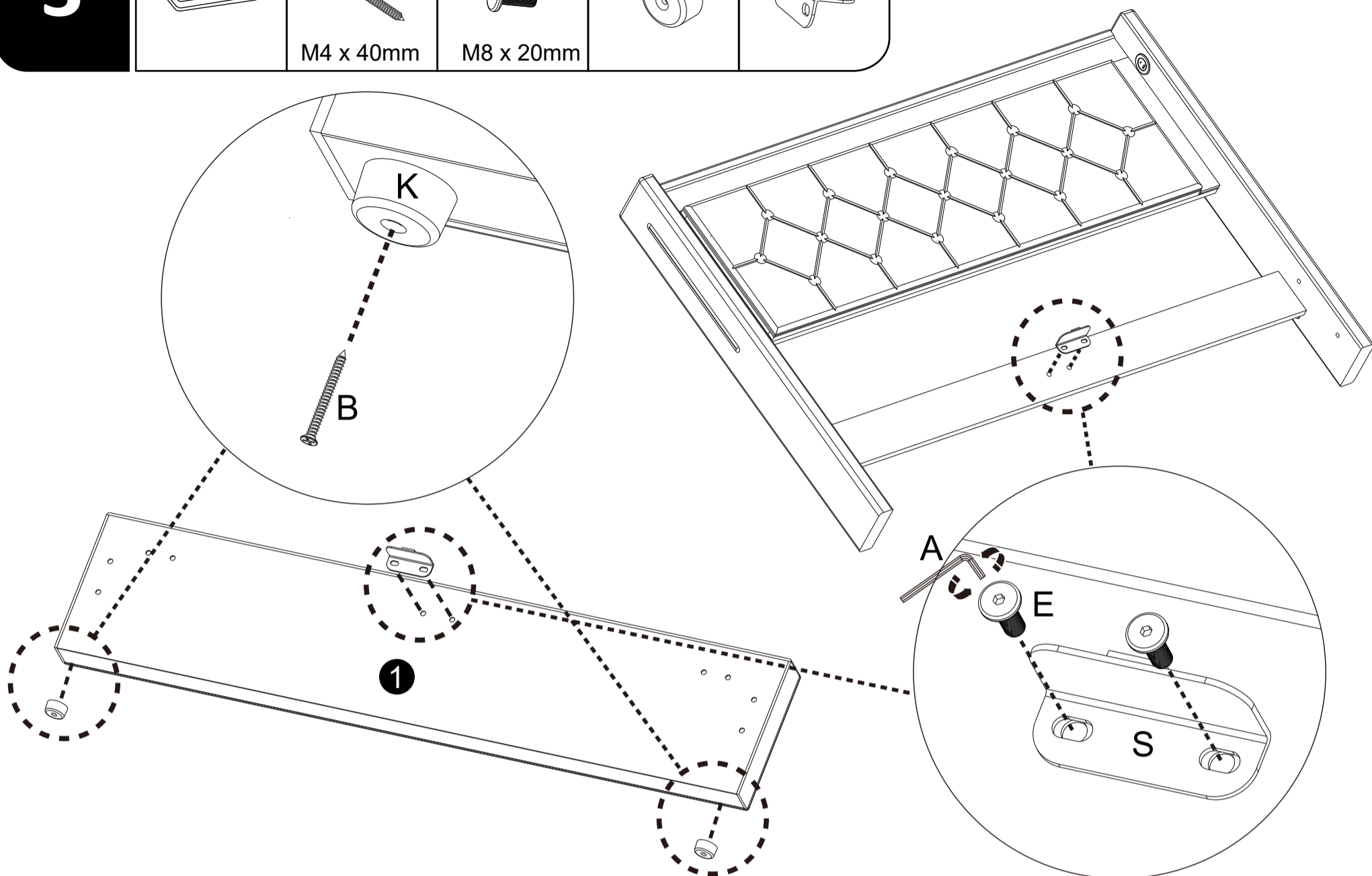
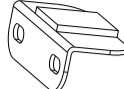


M8 x 20mm

K x 2



S x 2



4

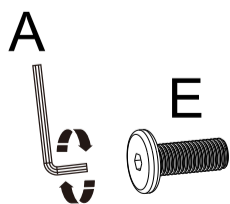
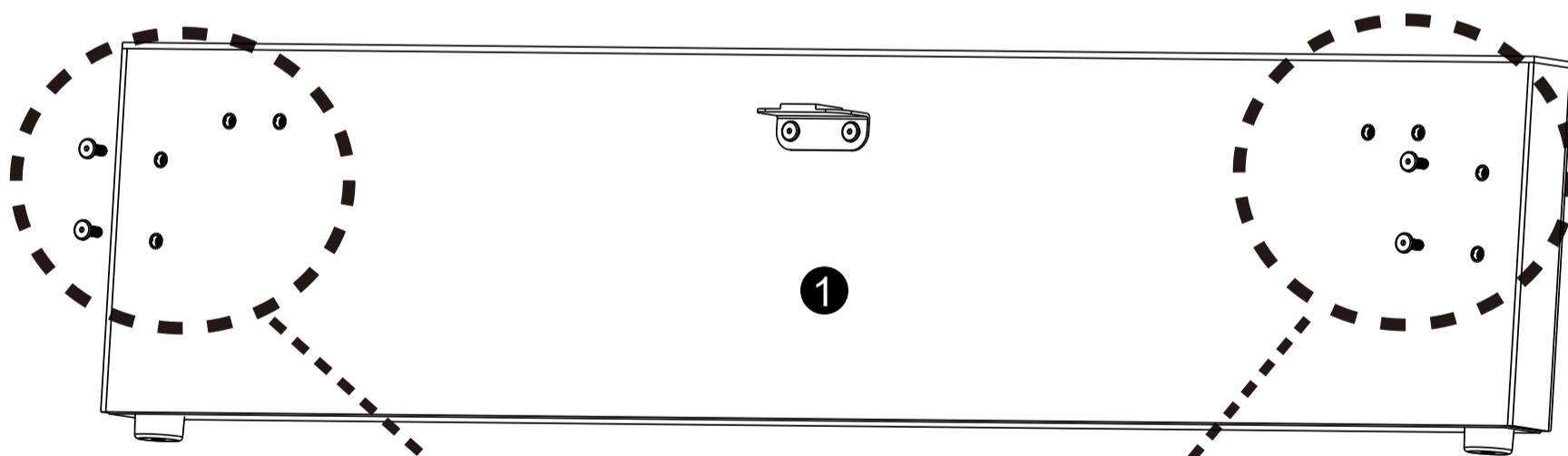
A x 1



E x 4



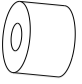


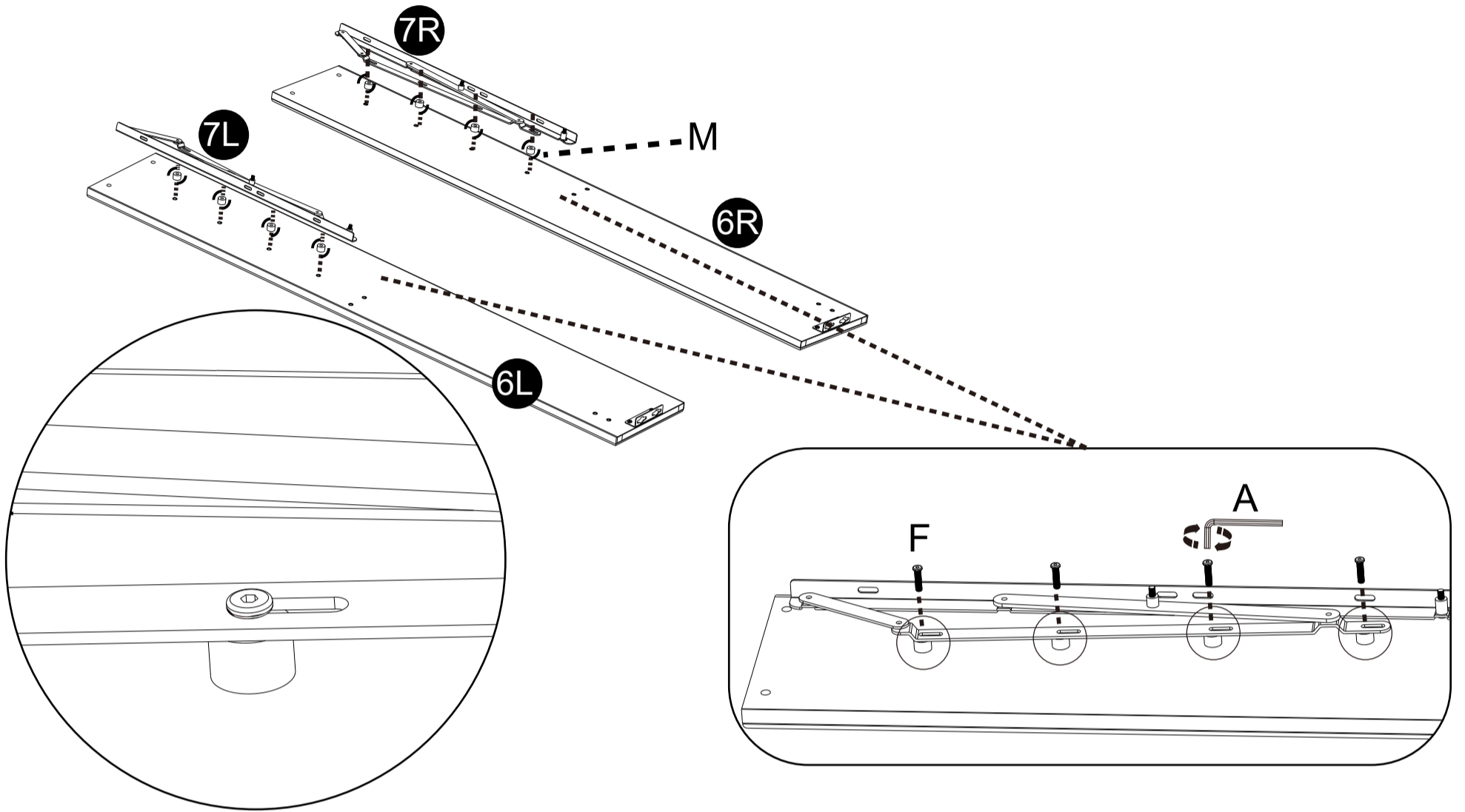
M8 x 20mm






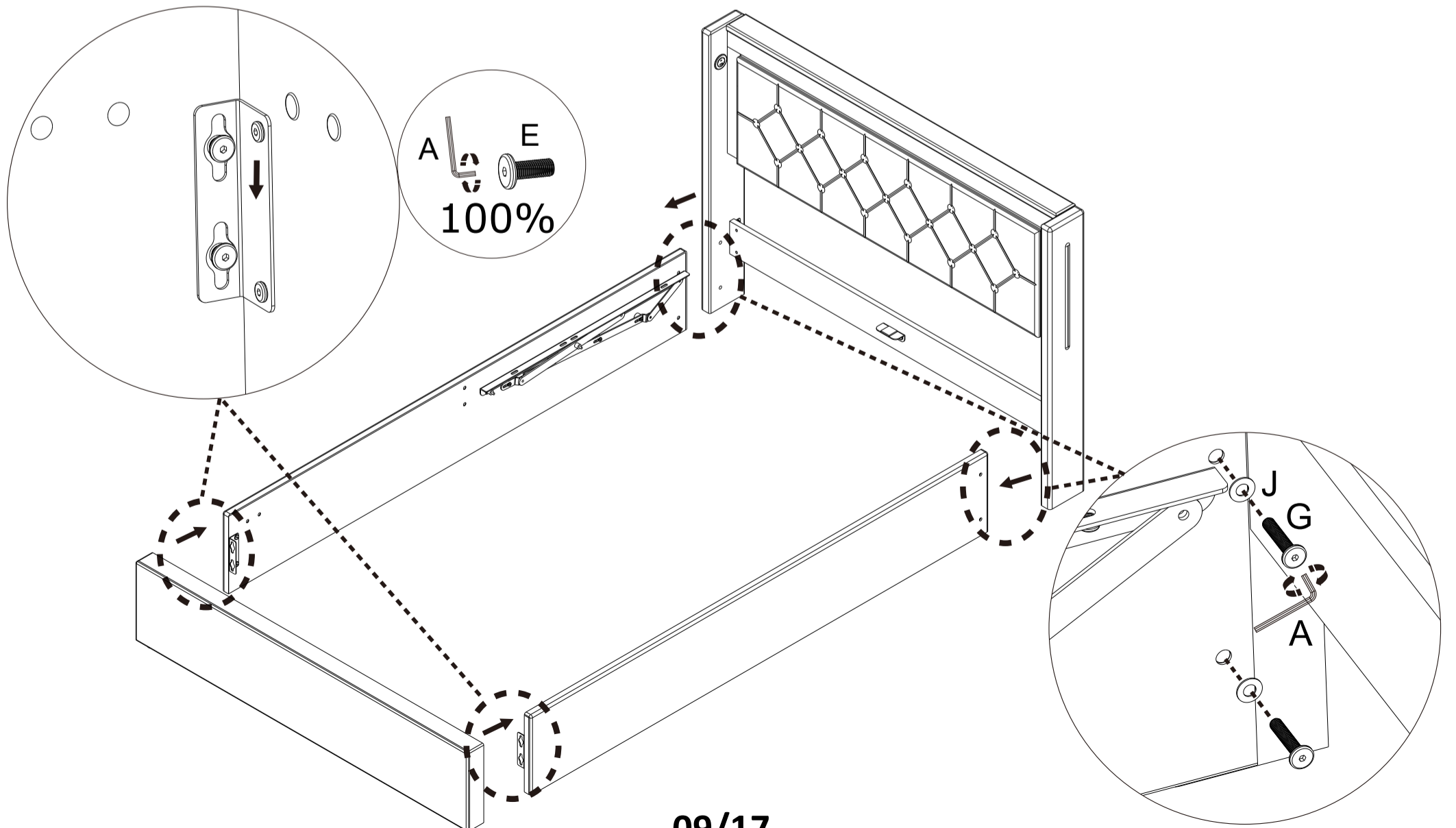
70%



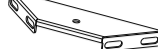


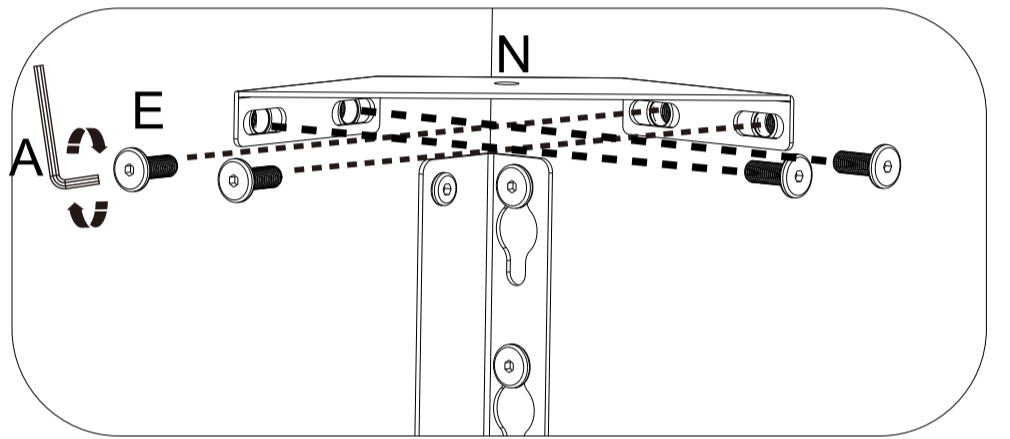
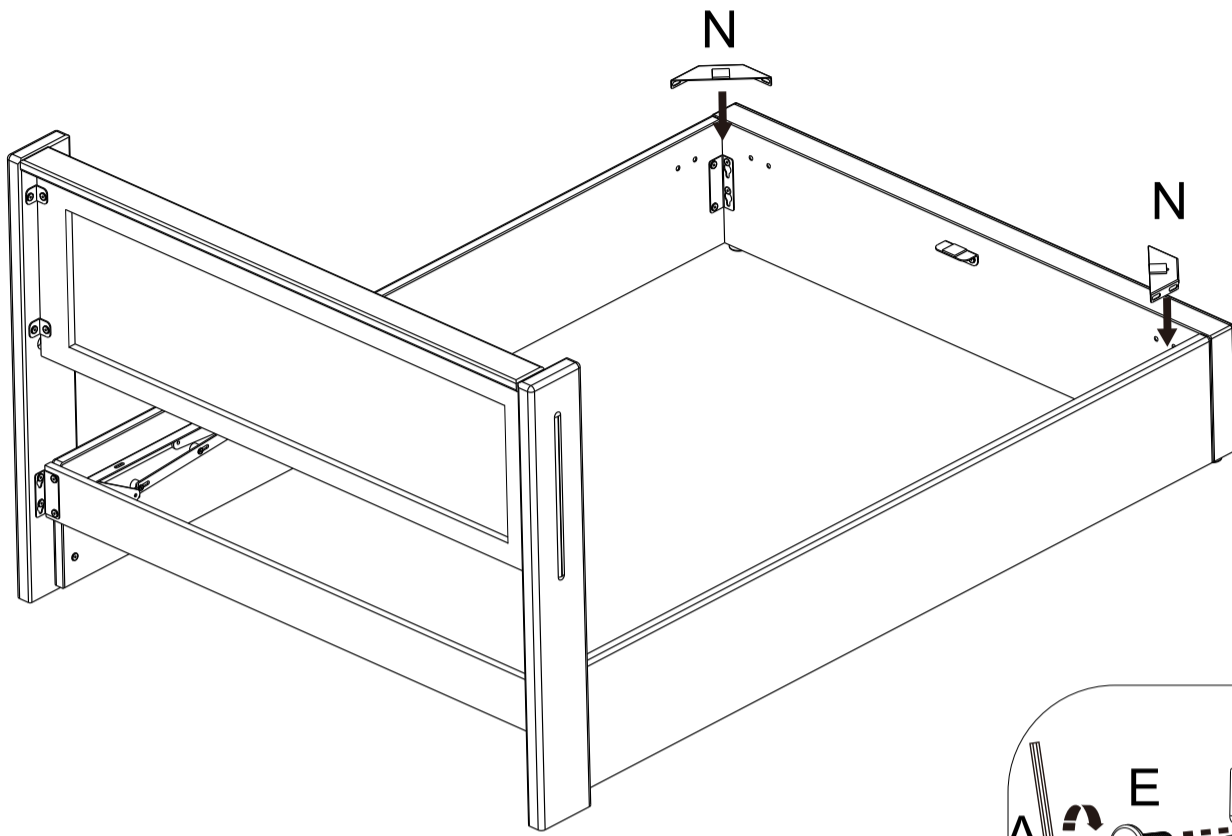
<b>5</b>	A x 1	F x 8	M x 8
		 M8 x 30mm	





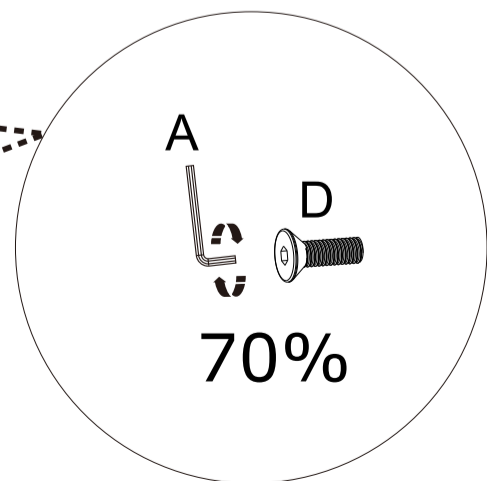
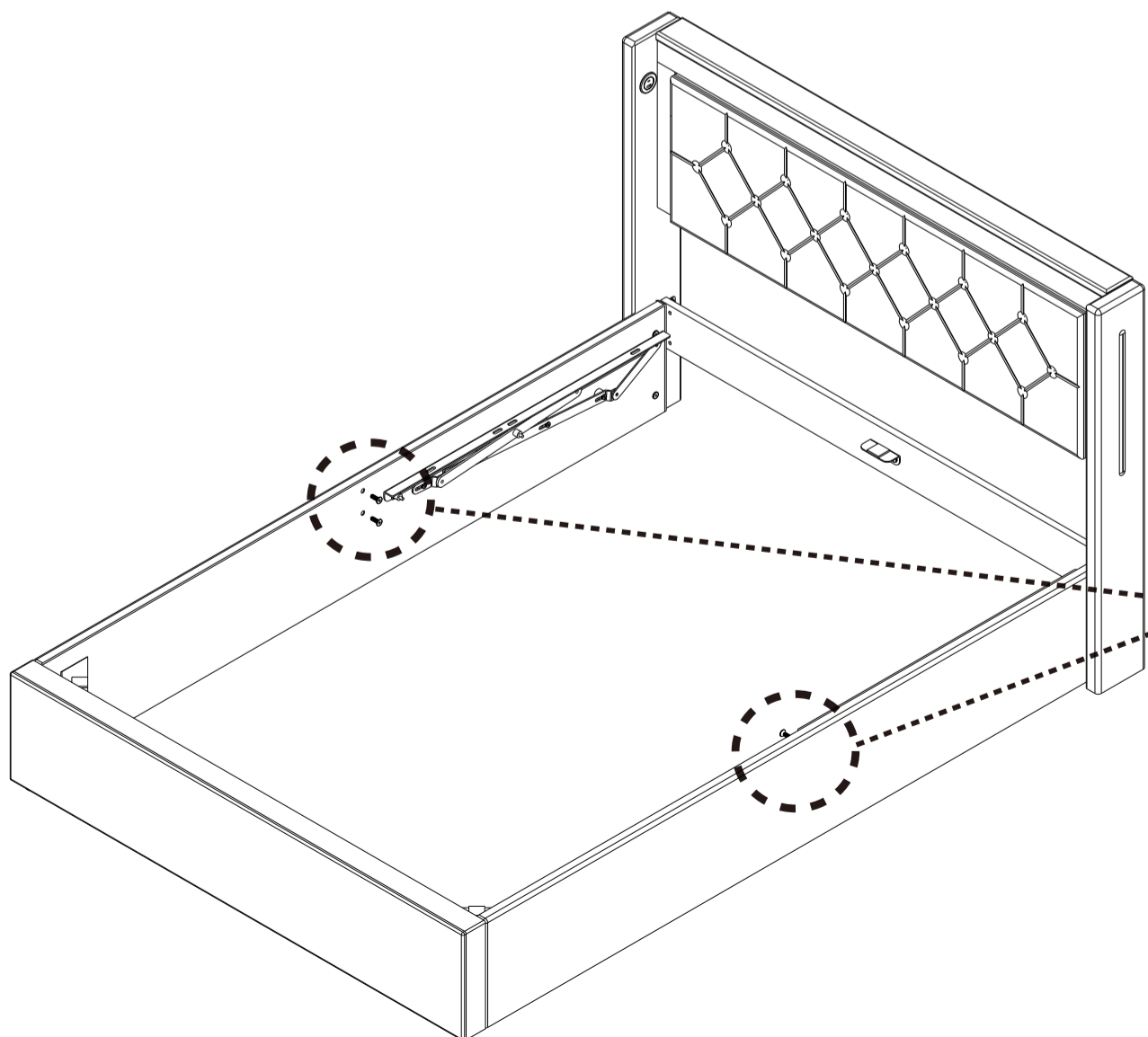
<b>6</b>	A x 1	G x 4	J x 4
		 M8 x 40mm	



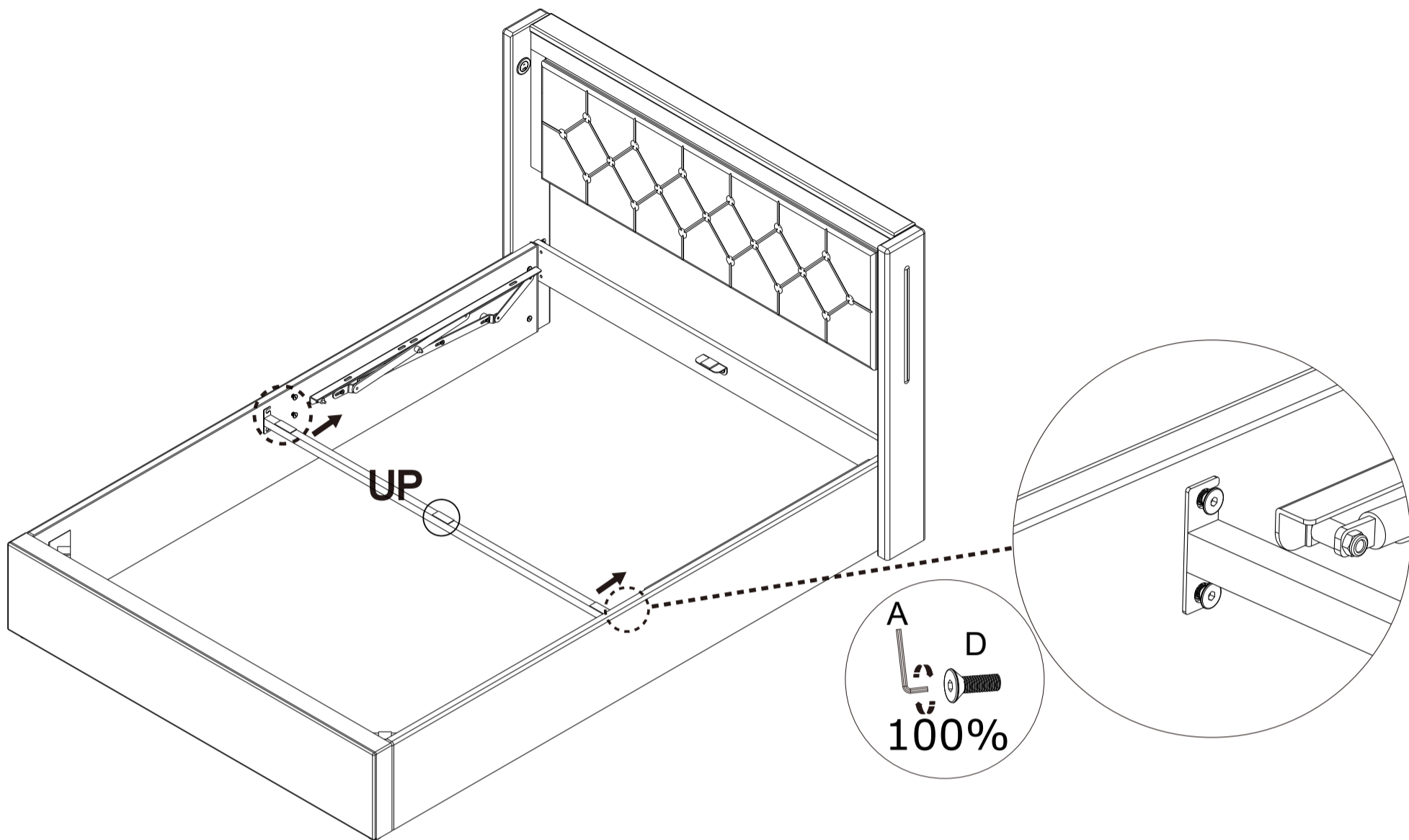

<b>7</b>	A x 1	E x 8	N x 2
		 M8 x 20mm	



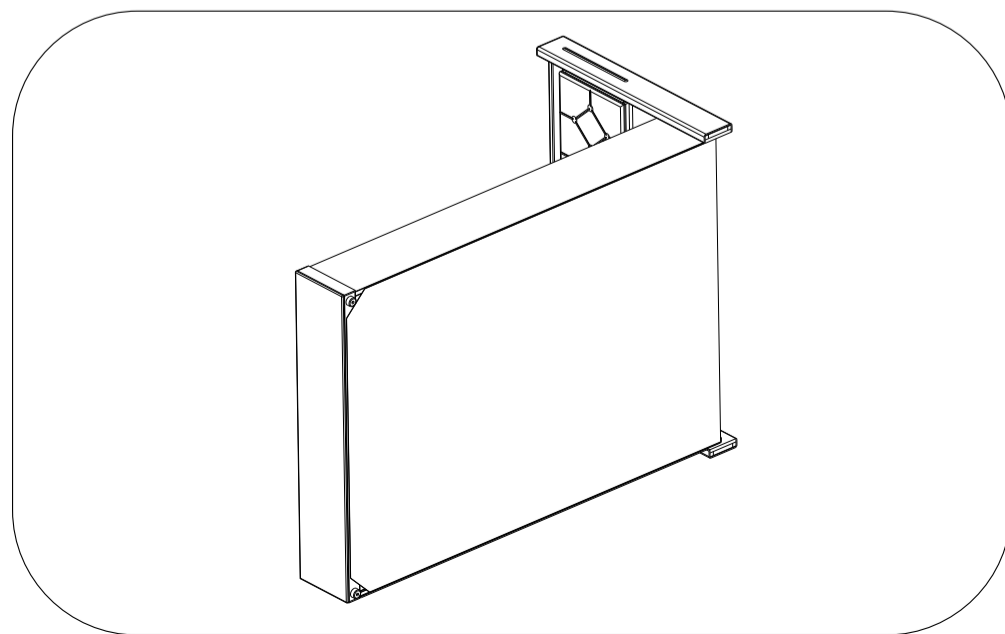
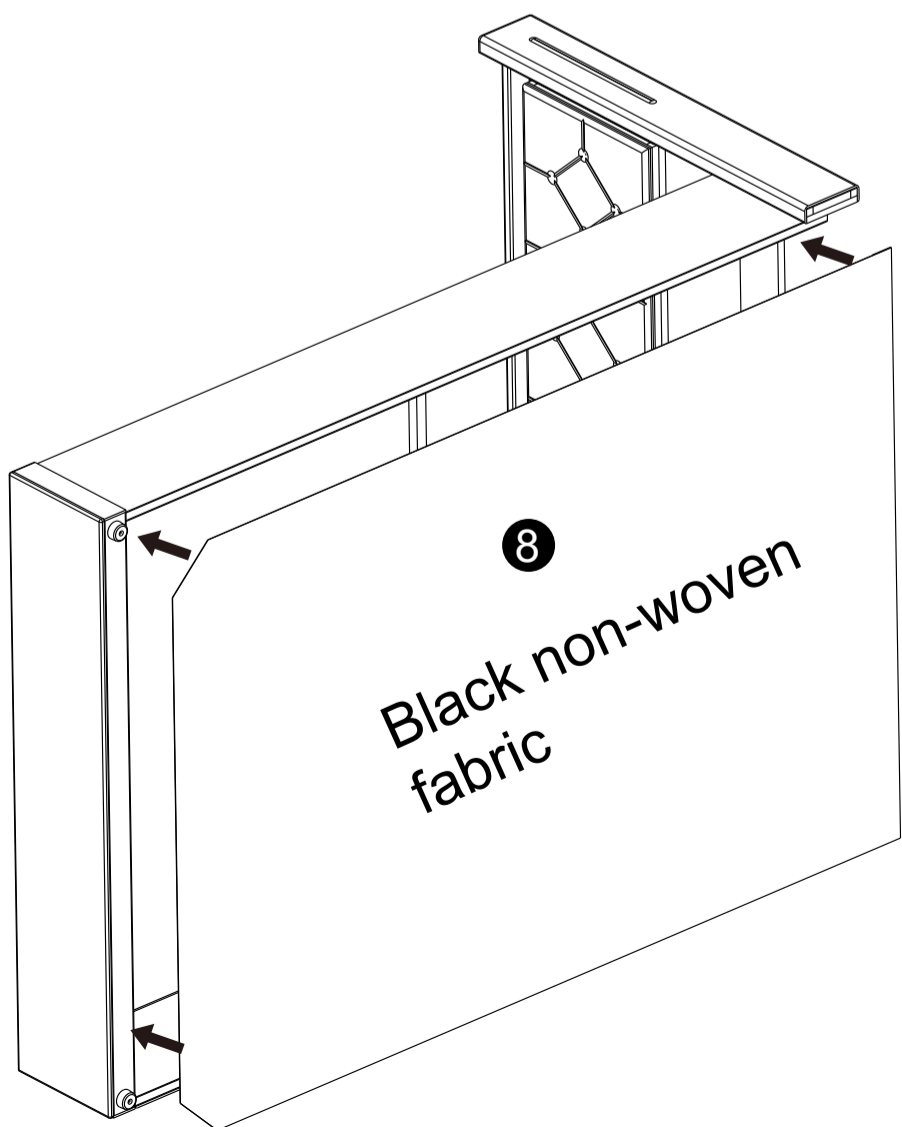
<b>8</b>	A x 1	D x 4
		 M8 x 18mm



**9** Ax1



**10**

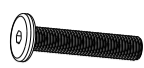


# 11

A x 1

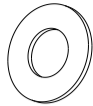


G x 6

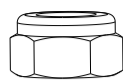


M8 x 40mm

J x 6



O x 6



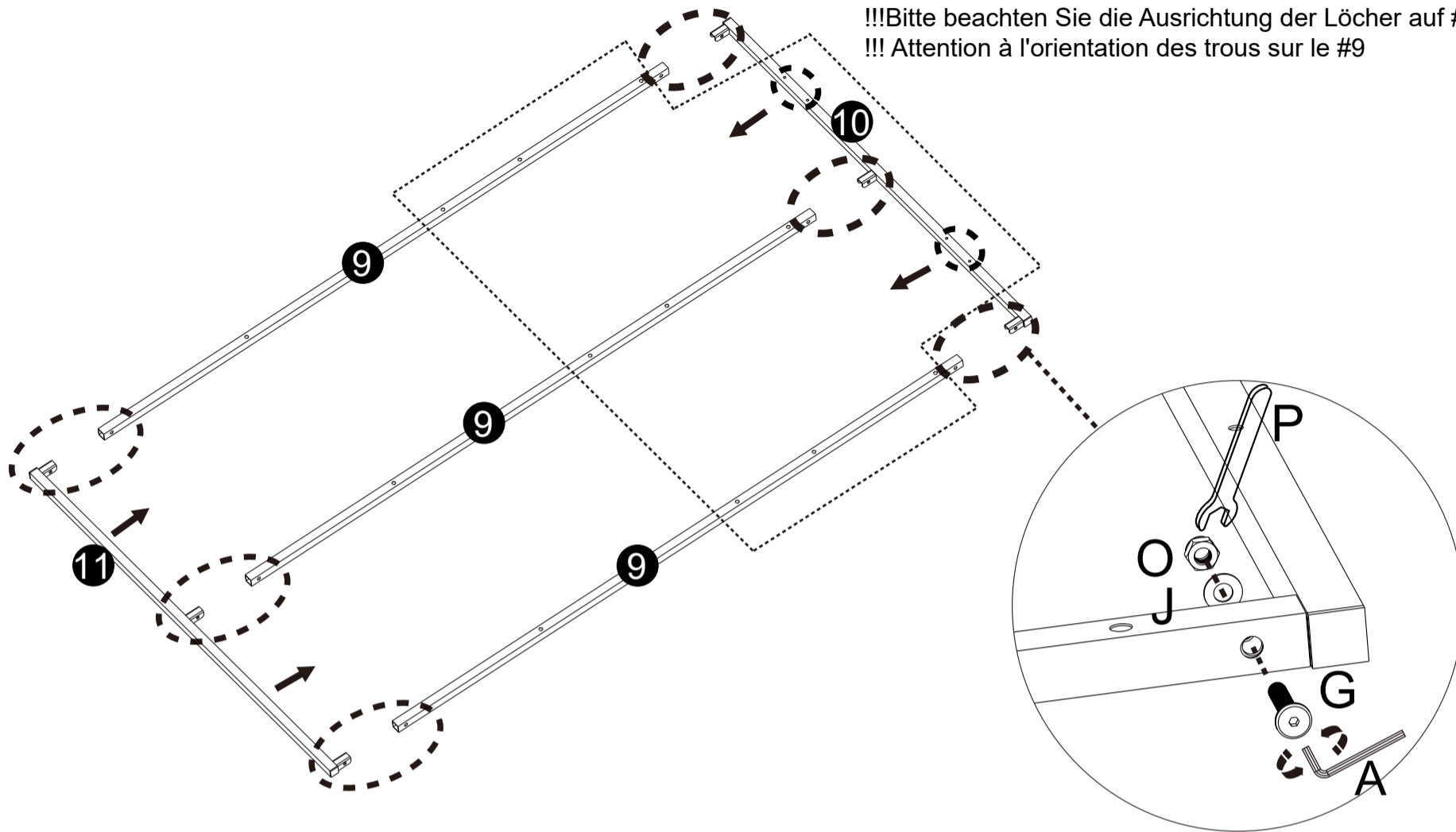
P x 1



!!! Please aware the orientation of the holes on #9

!!!Bitte beachten Sie die Ausrichtung der Löcher auf #9

!!! Attention à l'orientation des trous sur le #9



# 12

A x 1

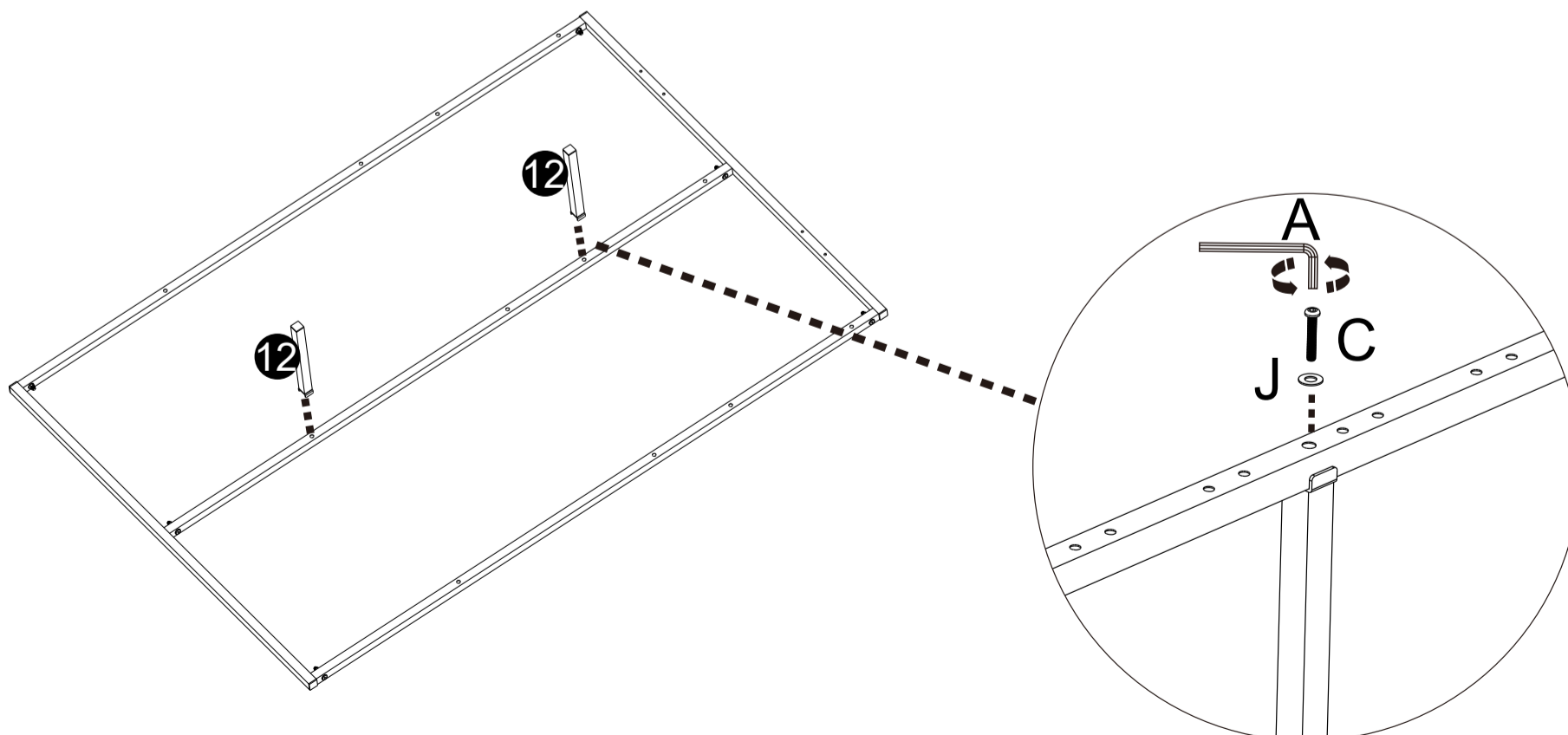


C x 2



M6 x 35mm

J x 2



13

A x 1

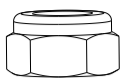


G x 6

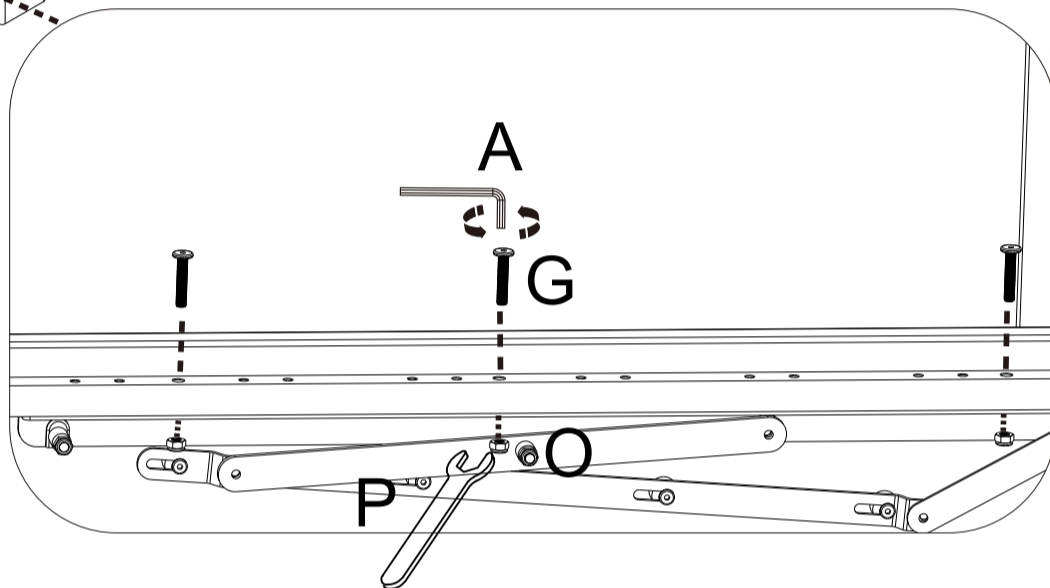
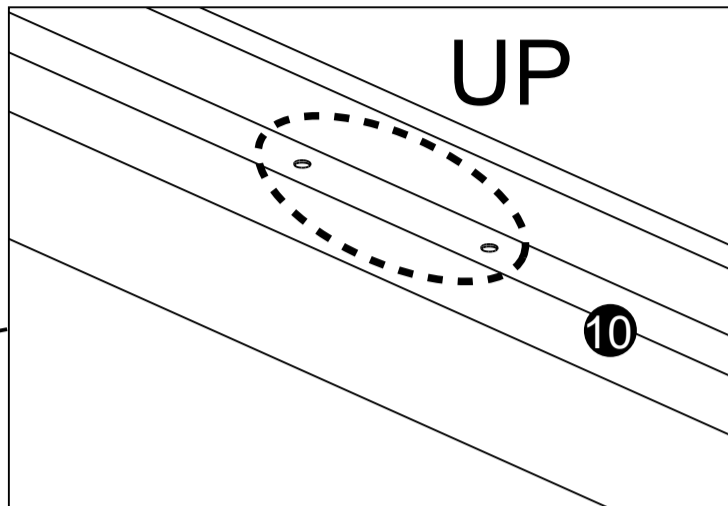
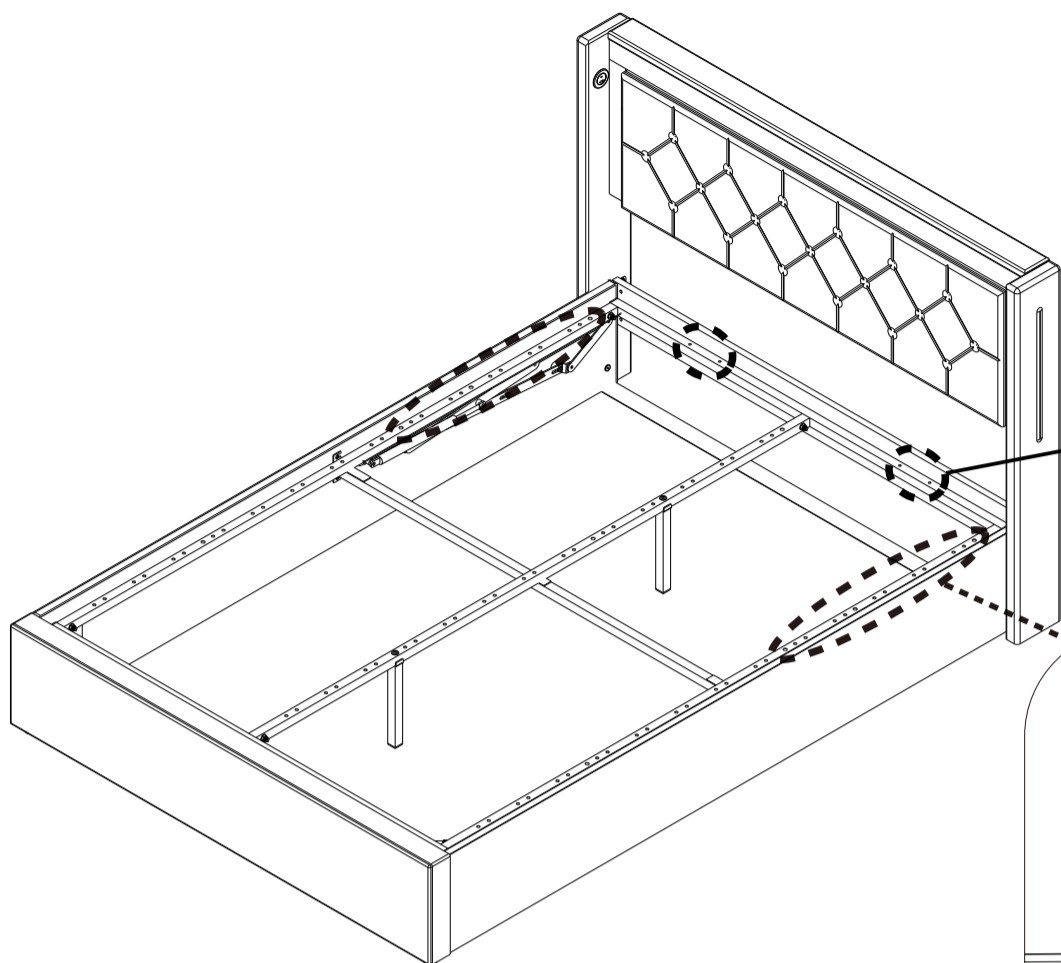


M8 x 40mm

O x 6

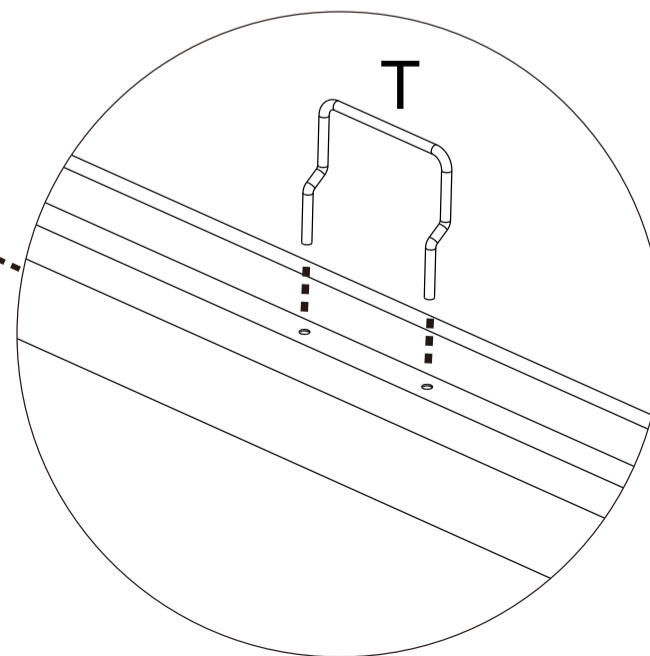
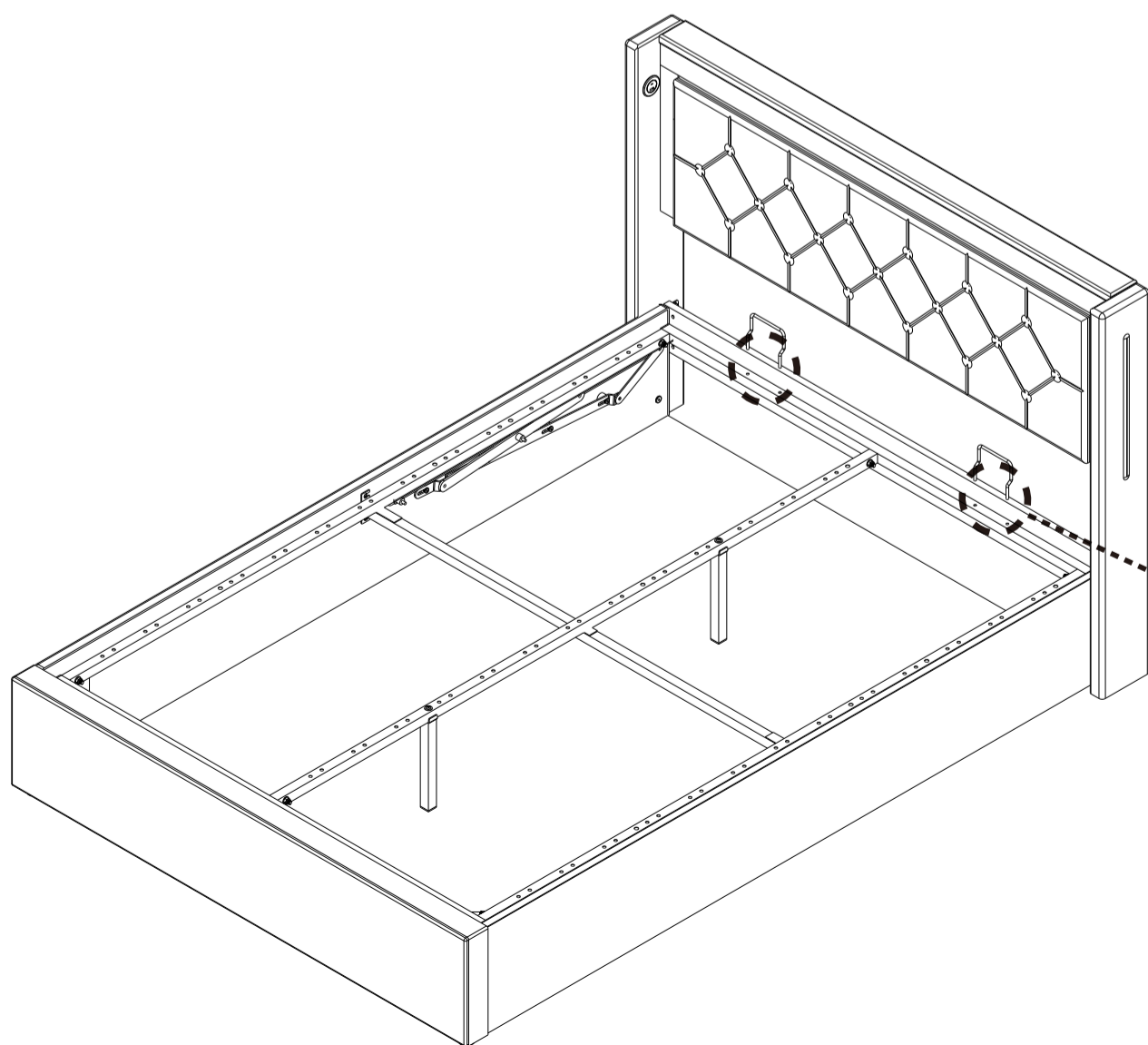
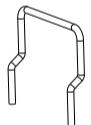


P x 1



14

T x 2

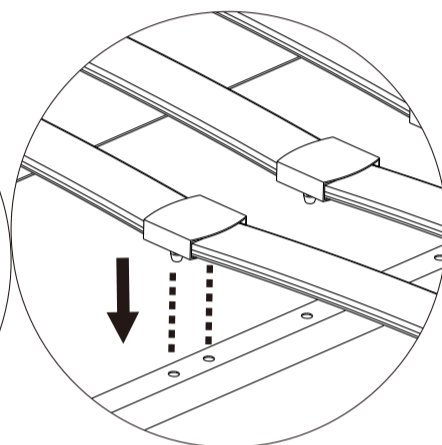
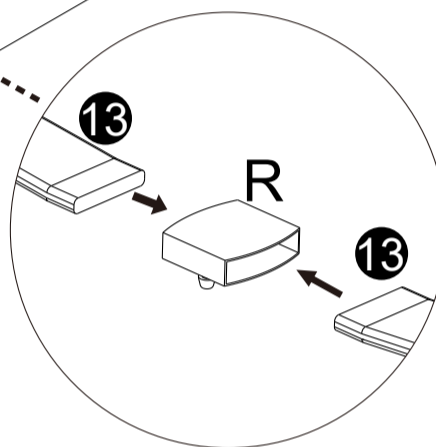
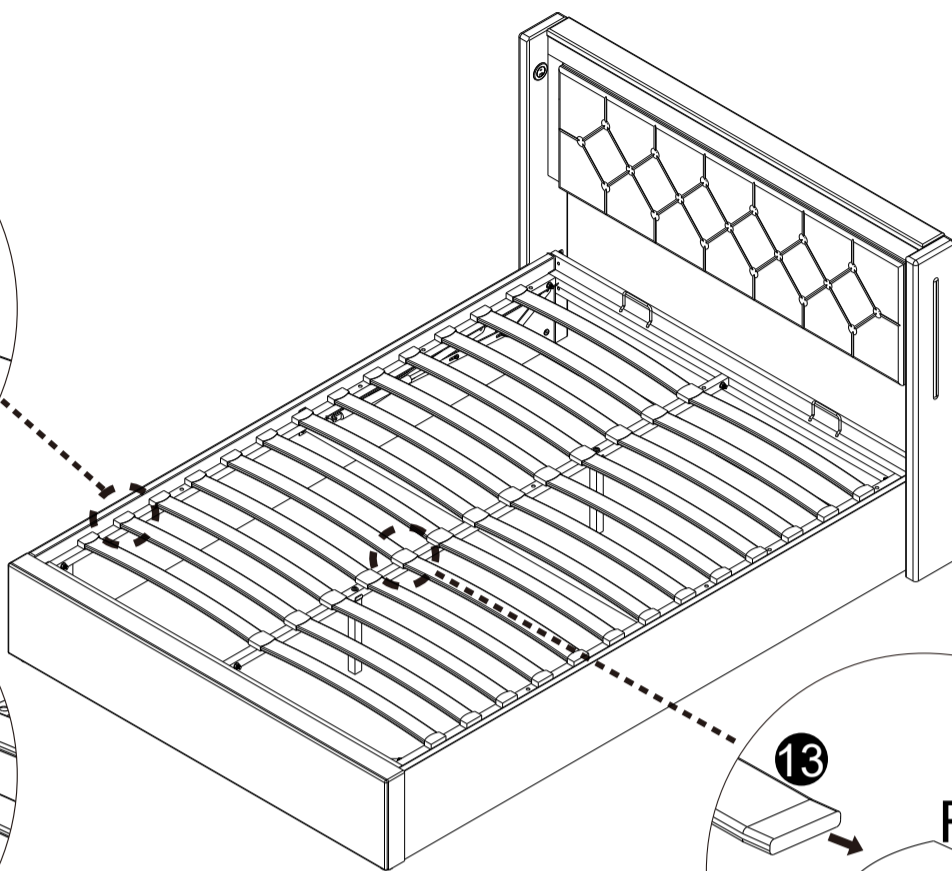
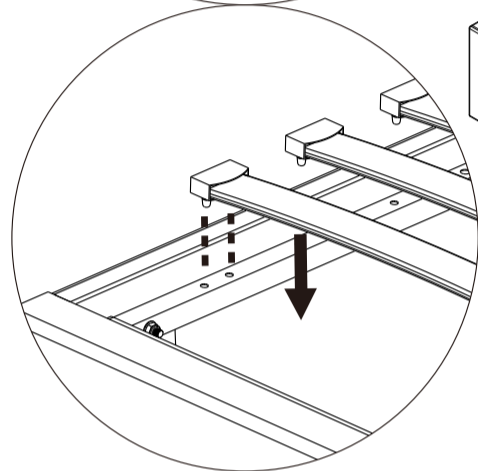
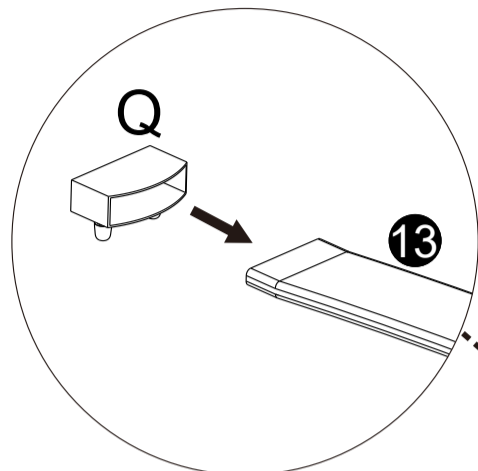
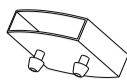


15

Q x 26



R x 13

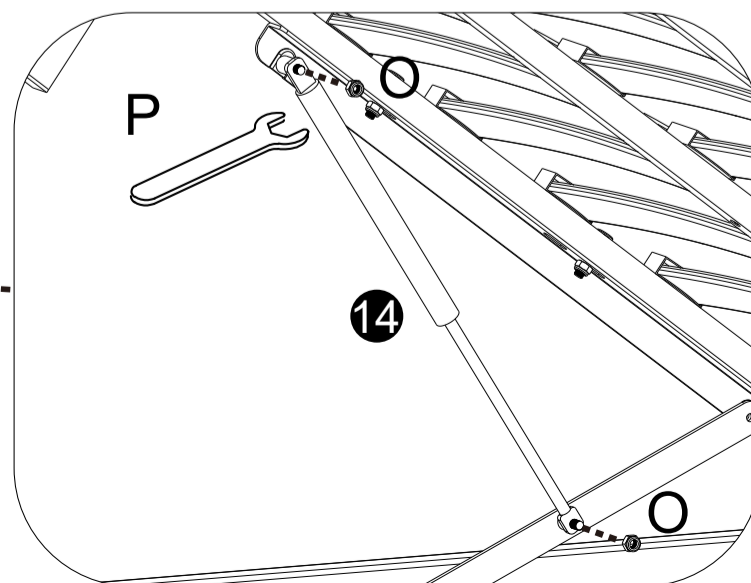
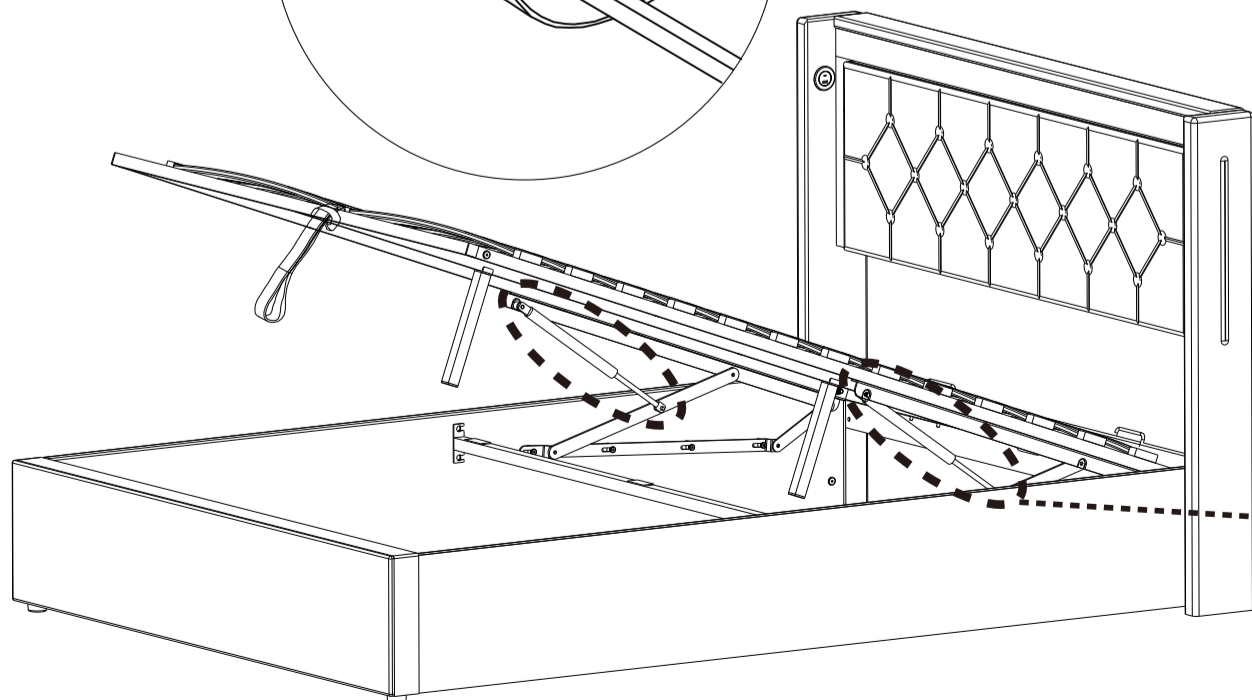
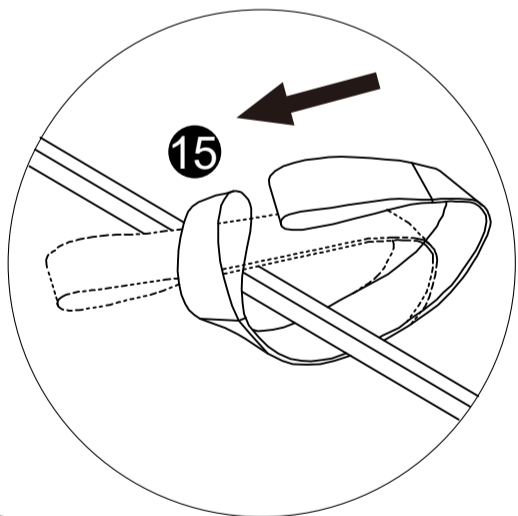


16

O x 4

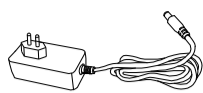


P x 1

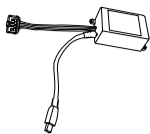


17

U x 1



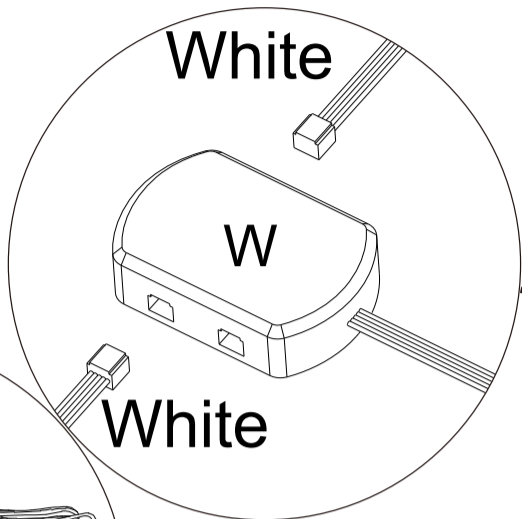
V x 1



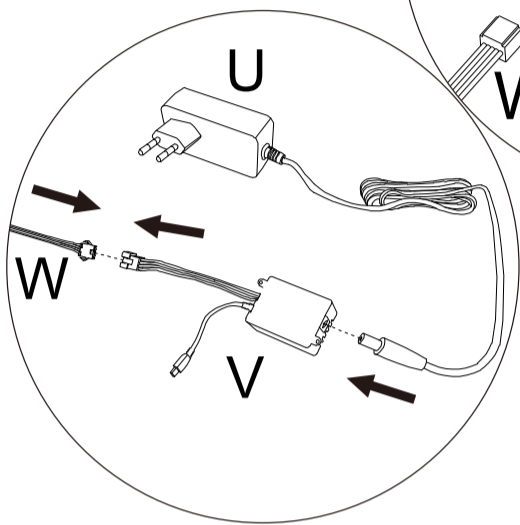
W x 1



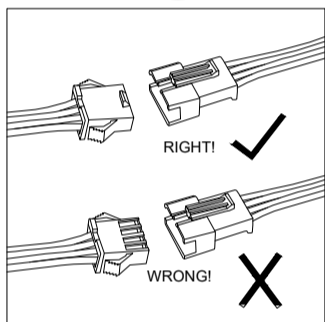
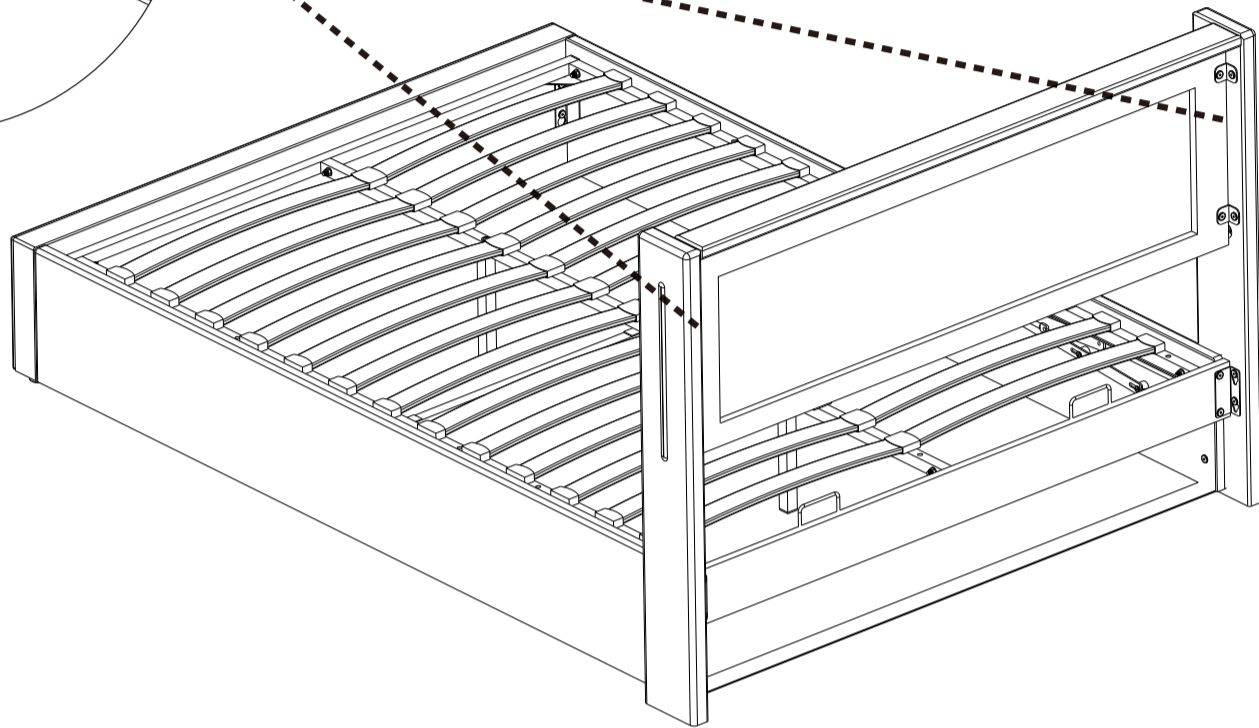
White



U

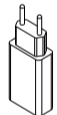


White

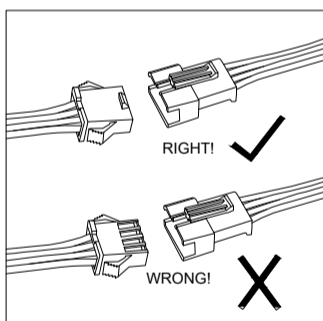


18

X x 1

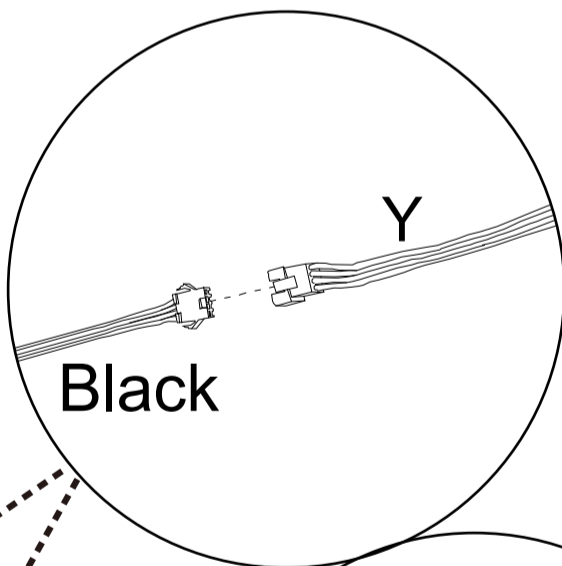


Y x 1



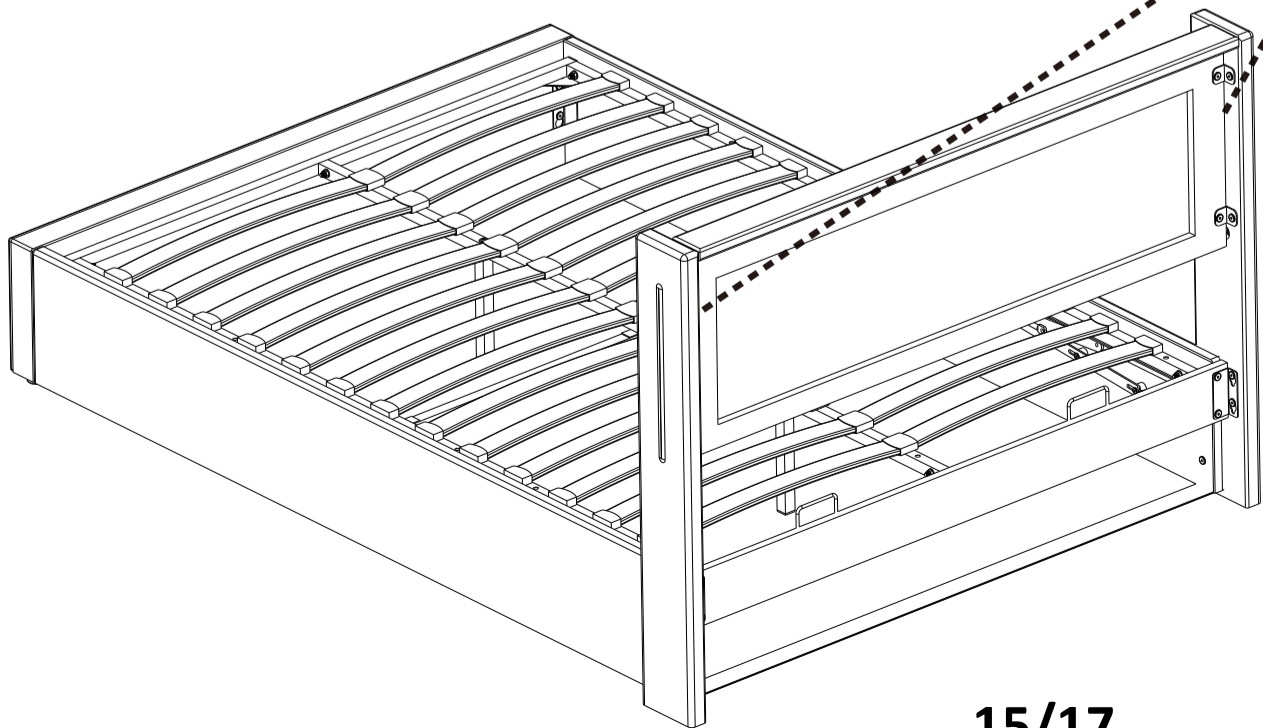
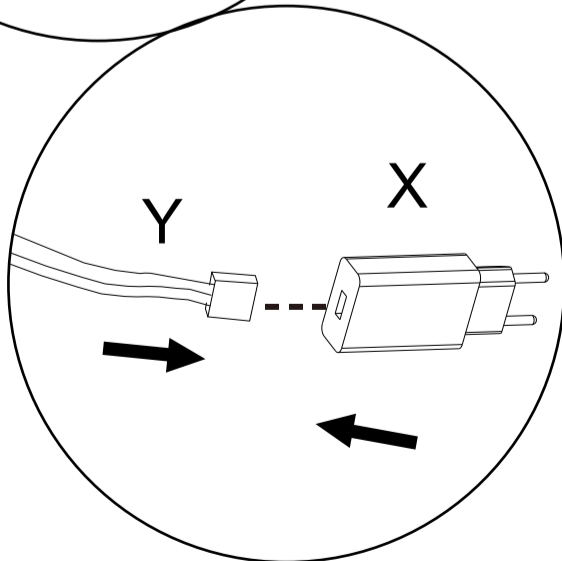
Y

Black



X

Y



# ★ IMPORTANT NOTICE ★

## HYDRAULIC BED OPERATING INSTRUCTIONS

Once your bed frame is completely assembled, the slat unit will not operate correctly unless a mattress is placed on the slat frame. Position the mattress on the slat frame whilst it is in the closed position.

**PLEASE NOTE** - It takes a lot of force to make the initial movement of the ottoman. This is a design feature of the product so that it does not fall shut the nearer to being closed the ottoman is, the easier it is to move. When the ottoman is almost shut, it will close completely under its own weight.

When lowering the slat unit for the first time, take care to make sure it does not rub unevenly on the inside face of the side rails. If it does, the bed has been assembled slightly out of square. This can be rectified by moving the foot end of the bed slightly to the left or right whilst leaving the head end stationary.

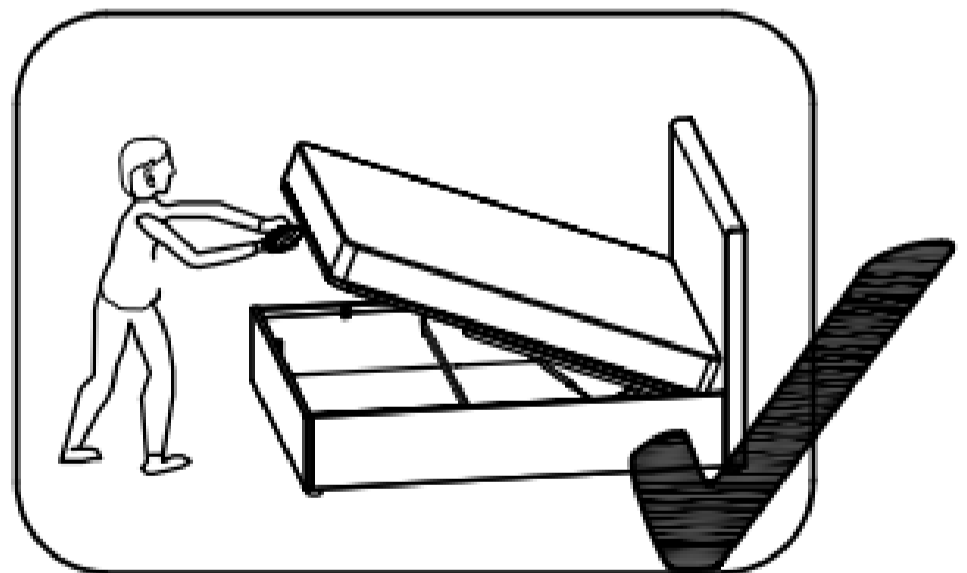
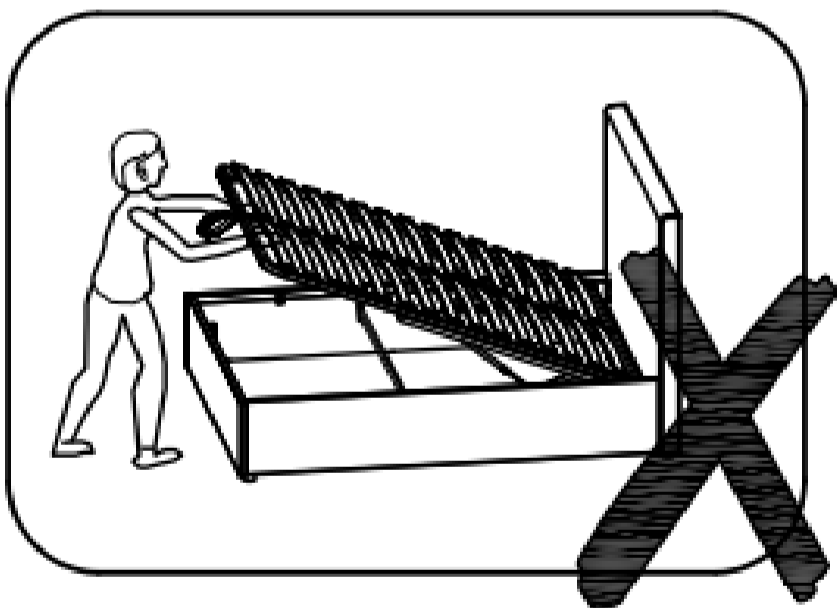
## PISTONS

The pistons used in the construction of this product are extremely strong and cannot be operated by hand when taken off the ottoman. All pistons are tested for correct pressure and operation before being attached to the slat unit.

Initially it might appear that the pistons are very stiff when opening and closing the ottoman.

### **THIS IS PERFECTLY NORMAL**

When fully assembled and the mattress is in position, please raise and lower the ottoman 4/5 times to ensure the gas piston are fully lubricated.

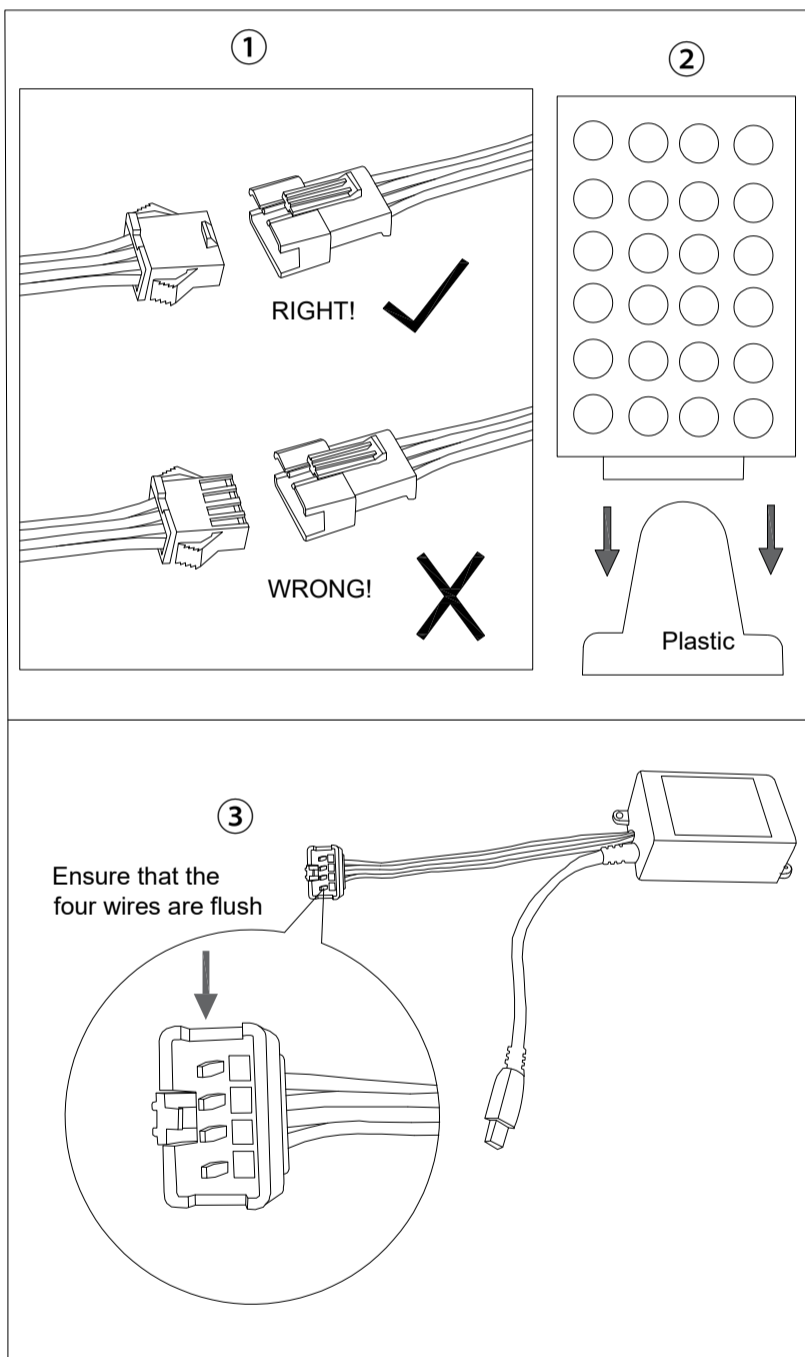




## LED light

If you can't let the lights work successfully, please check the following:

1. Please check the direction of the connect, try it in the opposite direction, according to the following picture.
2. Please check the remote control, it needs you to tear down the plastic septum before use it.
3. Don't let the remote control too far from the receiver, make sure there is no obstruction between them.
4. If one of the colors is not bright, please check whether the four wires in the plug are skewed, and move the main line to make the four wires flush.



- 1 Please check the direction of the arrow
- 2 Please pull the plastic block out of the remote control
- 3 Please check whether the four wires of the plug are neat

## Operation Instructions of Controller

### I. Specifications:

Working temperature: -20-60 °C

Supply voltage: DC12V

Output: Three CMOS drain- open output

Connecting Mode: Common anode

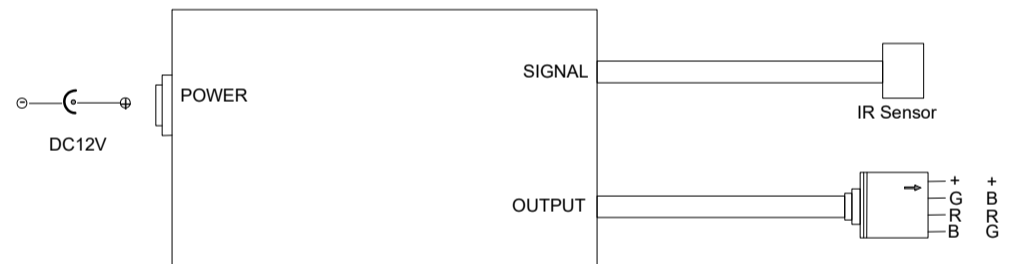
Max load current: 2 A each color

### II. Control Method:

Adopt IR remote to control the led controller, which has 24 buttons, the function of each button as the table below:

Brightness +(Speed up)	Brightness - (Speed down)	Off	On
Static red	Static green	Static blue	Static white
Static orange	Static pea green	Static dark blue	7 color jumpy change
Static dark yellow	Static cyan	Static brown	All fade out&fade in
Static yellow	Static light blue	Static pink	7 color fade change
Static straw yellow	Static sky blue	Static purple	3 base color jumpy

### III. Panel specification and connecting drawing as follows:



### IV. Warning:

1. Supply voltage of this product is DC12V never connect to DC24V or AC220V.
2. Never connect two wires directly in case of short circuit.
3. Lead wire should be connected correctly according to colors that connecting diagram offers.
4. Warranty of this product is one year, in this period we guarantee replacement or repairing with no charge, but exclude the artificial situation of damaged or overload working.

## ! WARNING

**THIS PRODUCT CONTAINS A BUTTON BATTERY**

If swallowed, a lithium button battery can cause severe or fatal injuries within 2 hours.

Keep batteries out of reach of children.

If you think batteries may have been swallowed or placed inside any part of the body, seek immediate medical attention.