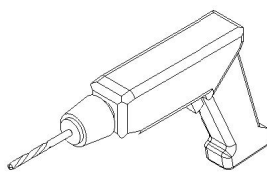
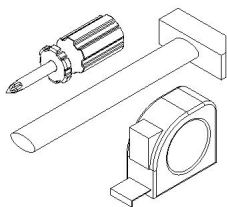
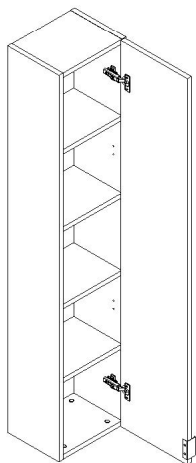


- 60 min.

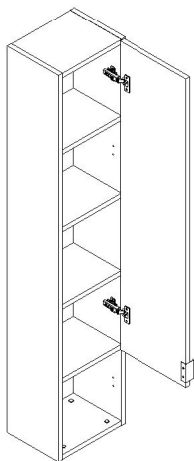


SZL150Pi

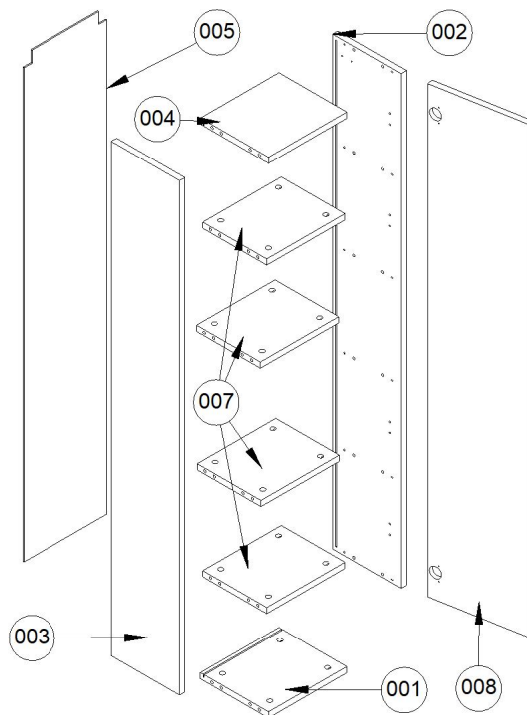
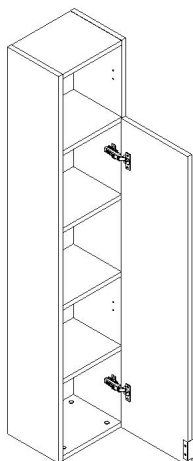
A



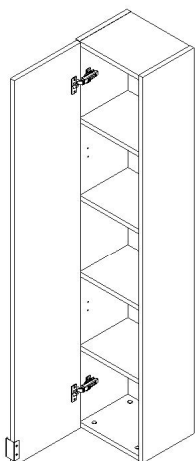
B



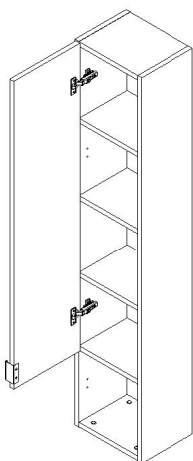
C



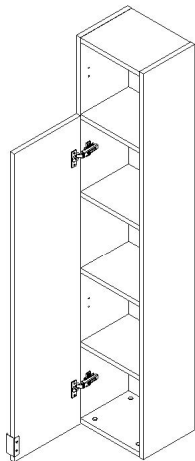
A1



B1

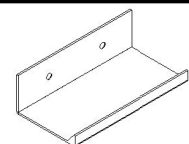


C1



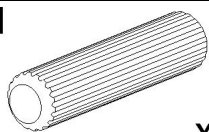
Number	Qty	Size A	Size B
001	1	264	229
002	1	1500	230
003	1	1500	230
004	1	264	229
005	1	1478	280
007	4	264	215
008	1	1496	298

U1



x1

K1



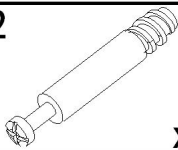
x24

M1



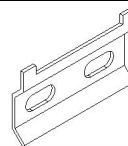
x24

M2



x24

SZ



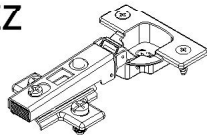
x2

M4



x12

ZZ



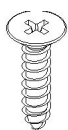
x2

M3



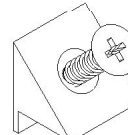
x24

WS1



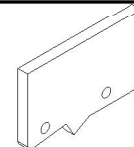
x20

ST1



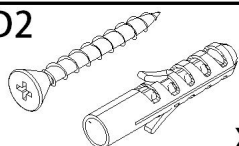
x8

D1



x2

D2



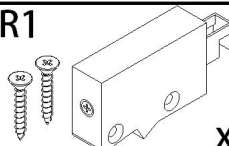
x4

RZ



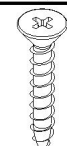
x2

ZR1

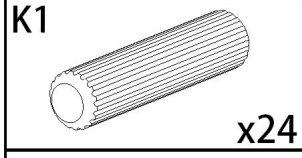
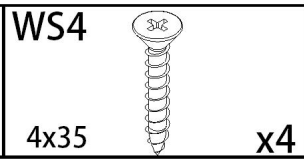
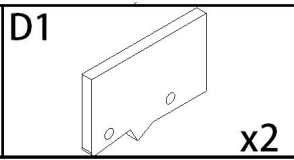
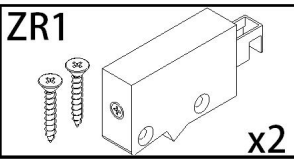
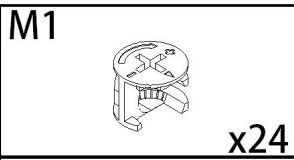
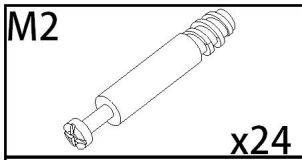


x2

WS4



x4



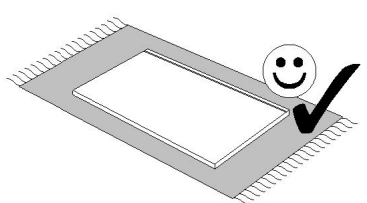
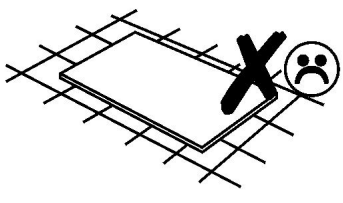
STEP 1

STEP 2

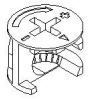
STEP 3

STEP 4

STEP 5 x4

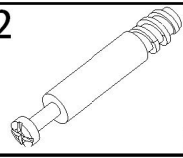


M1



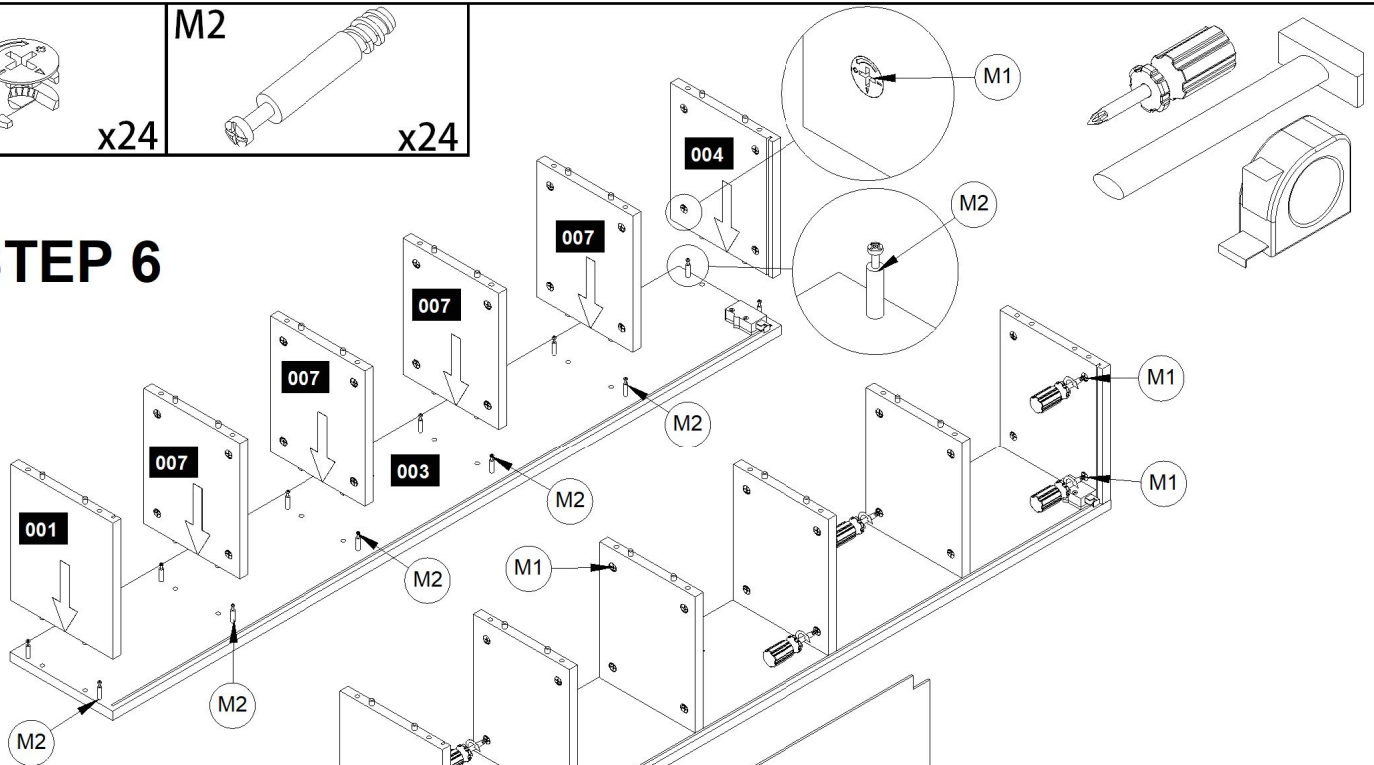
x24

M2

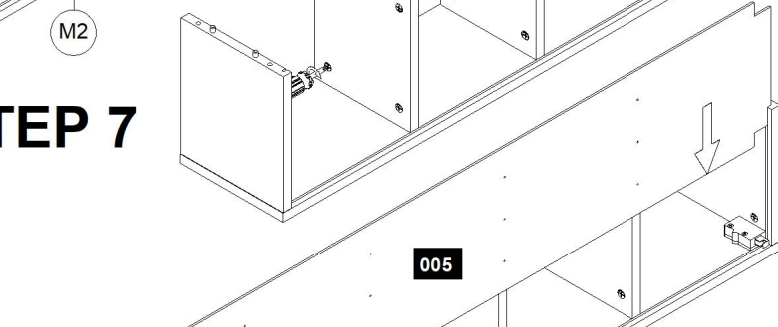


x24

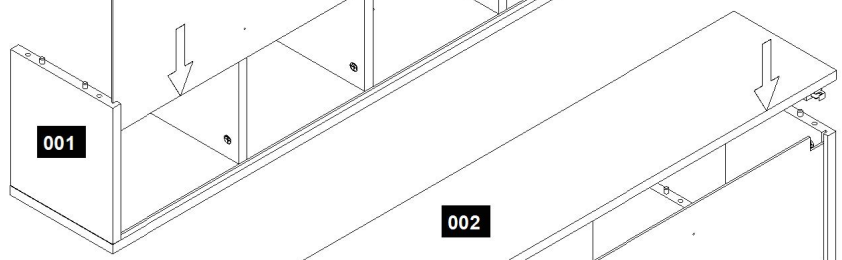
STEP 6



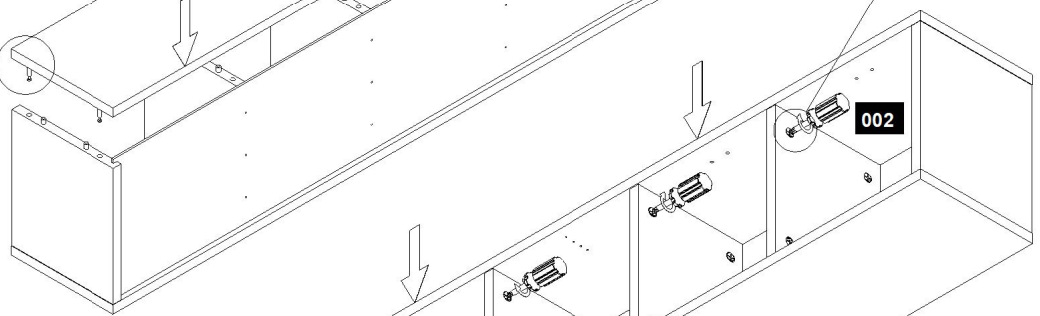
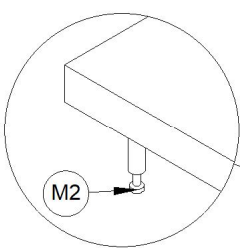
STEP 7



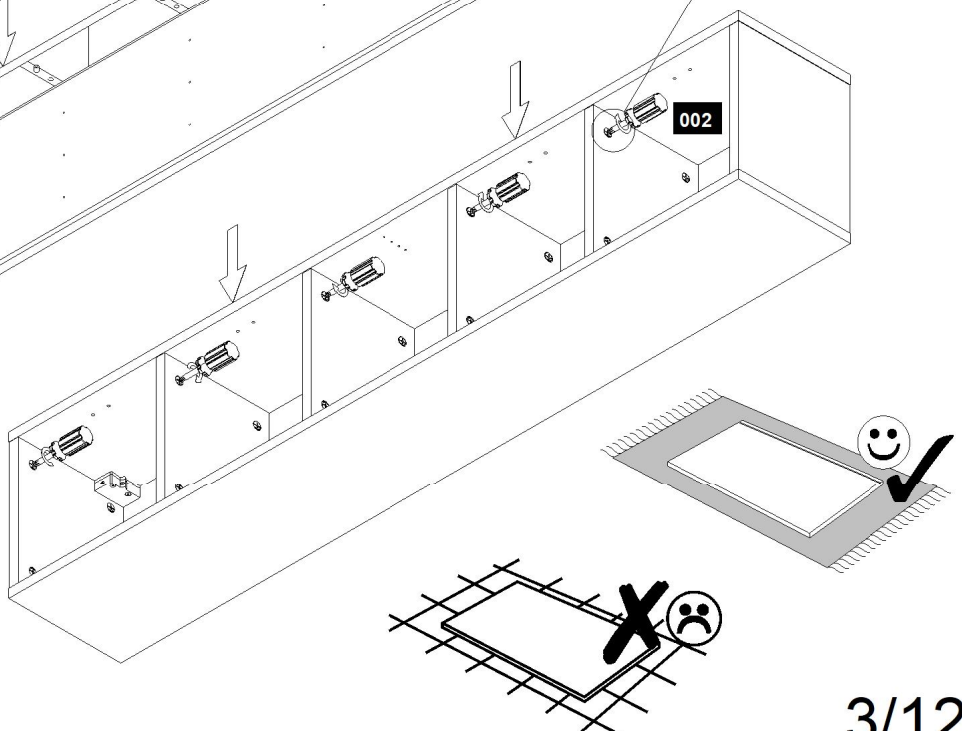
STEP 8

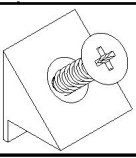



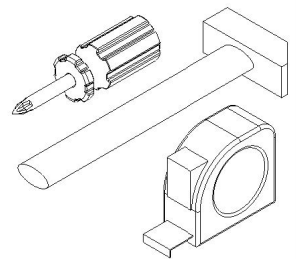
STEP 9



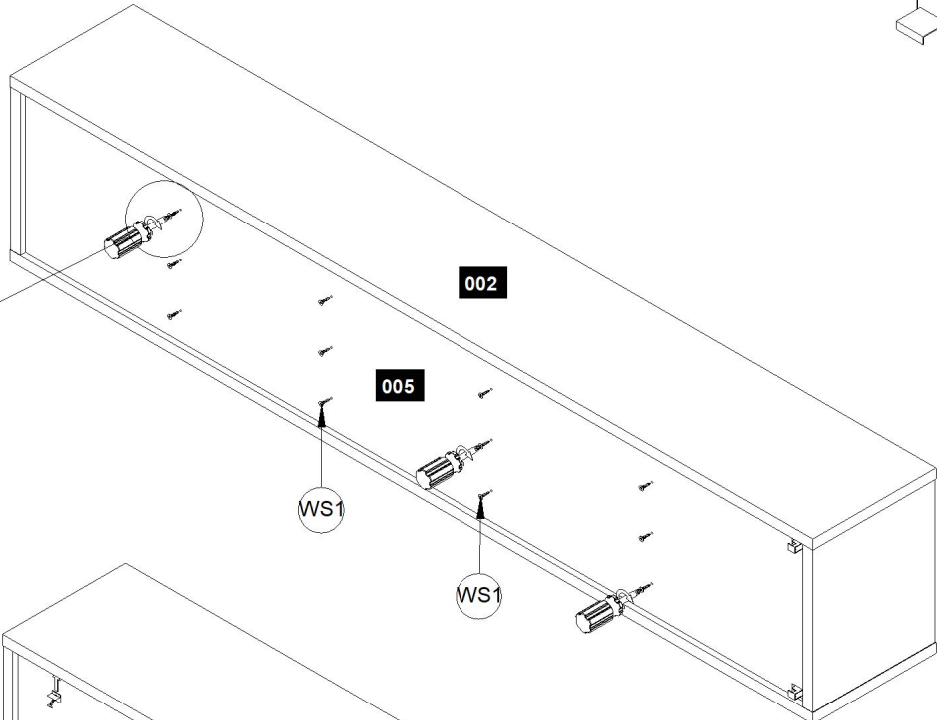
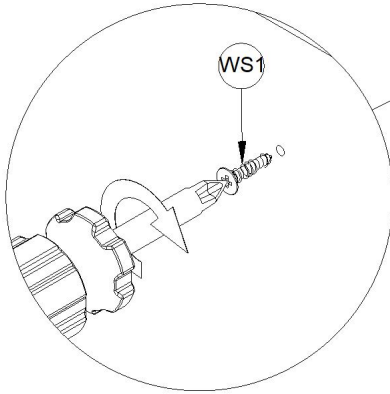
STEP 9A



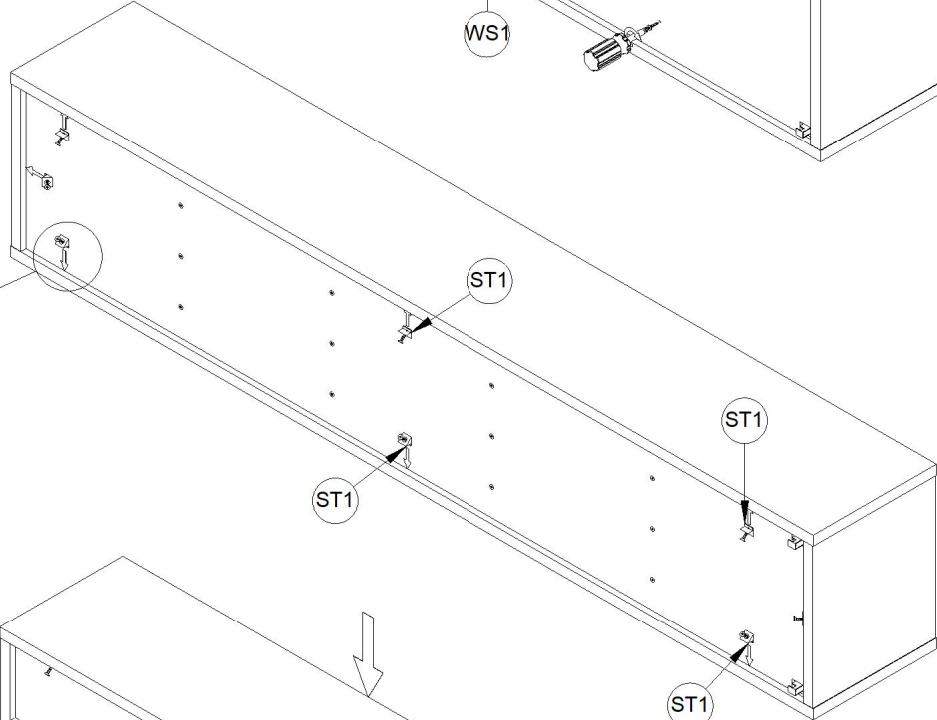
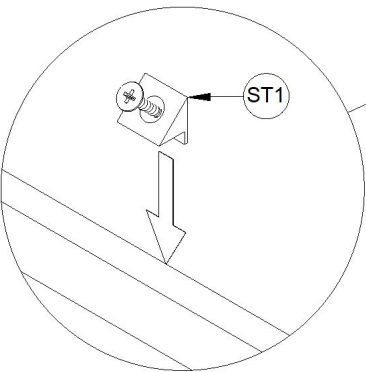
ST1  x8	WS1  3,5x16 x20
---	---



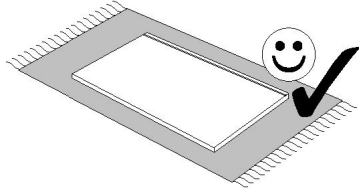
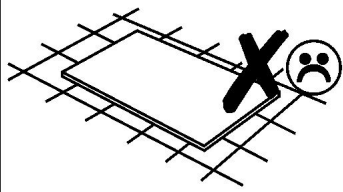
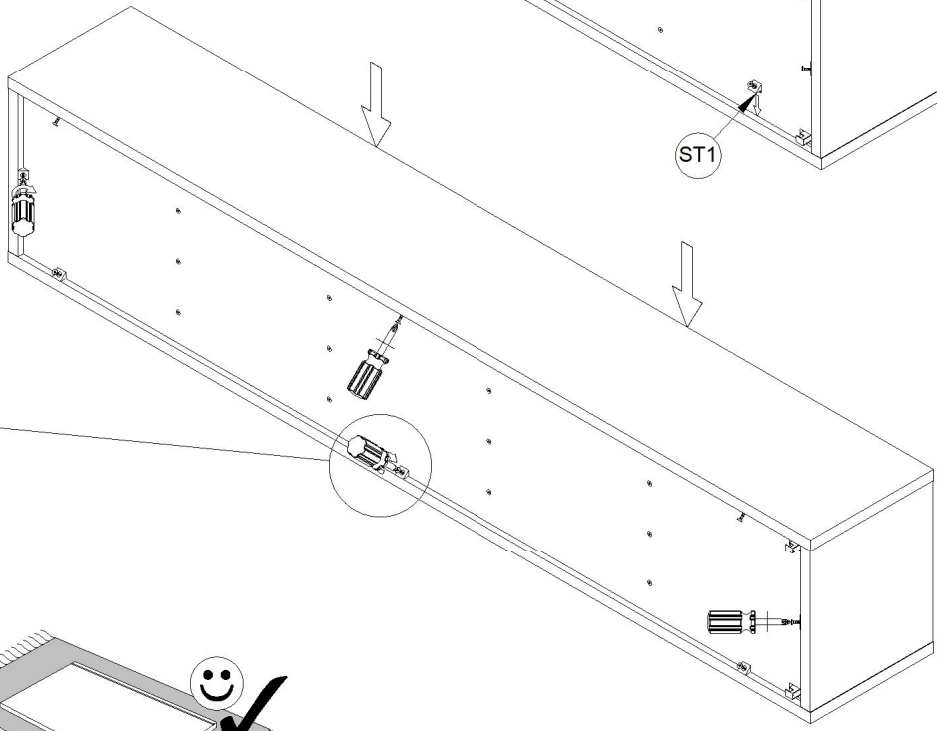
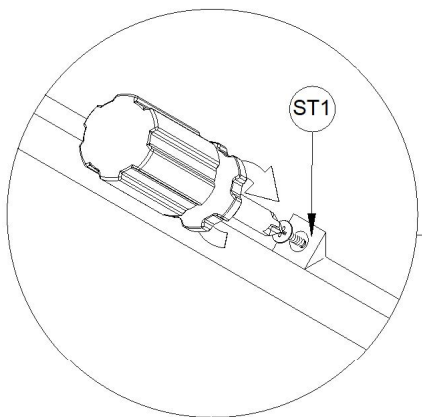
STEP 10



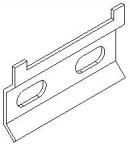
STEP 11



STEP 12

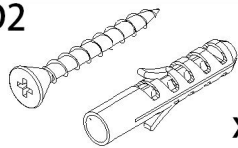


SZ

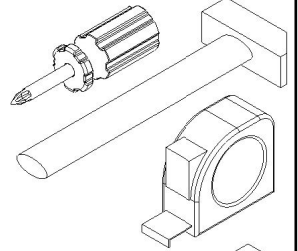
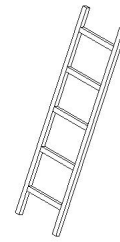
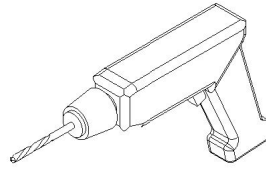


x2

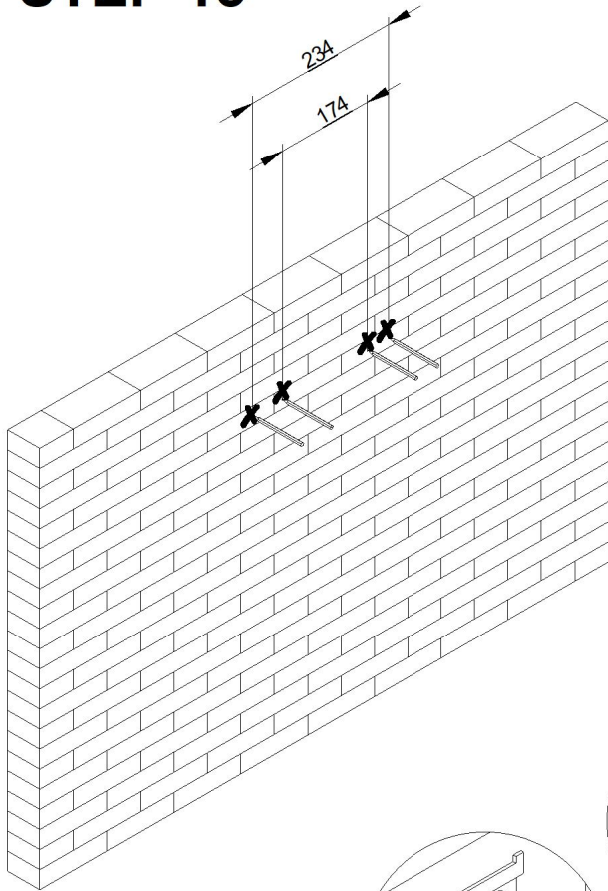
D2



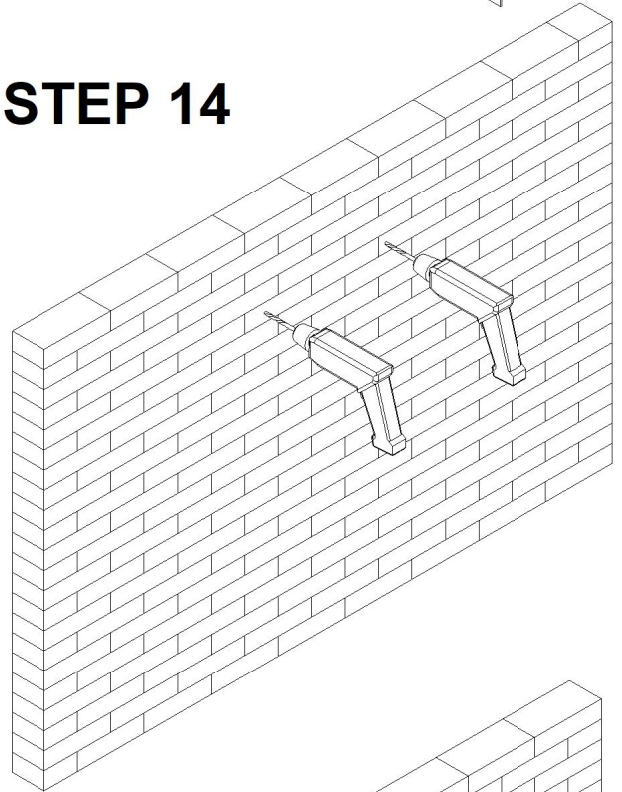
x4



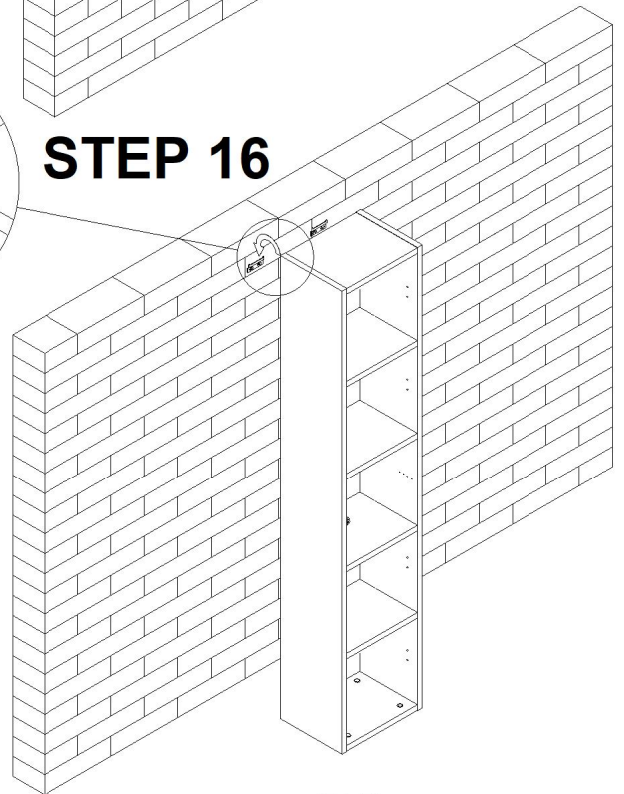
STEP 13



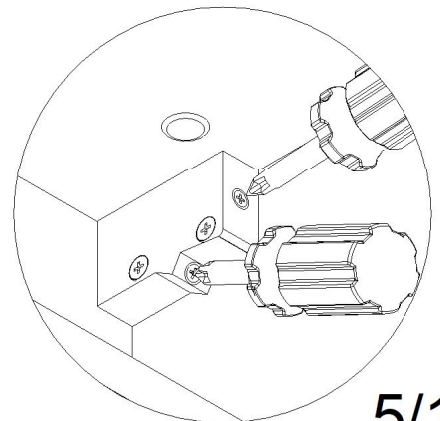
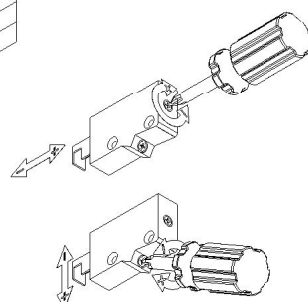
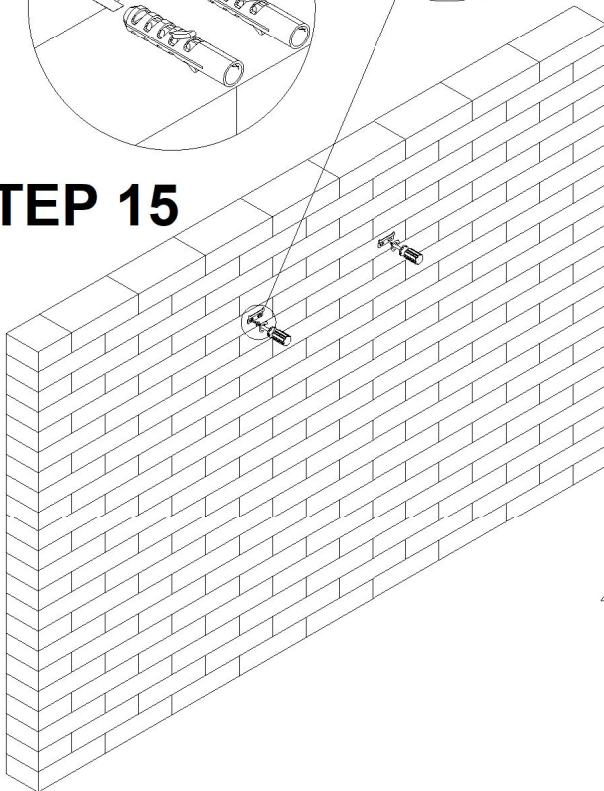
STEP 14

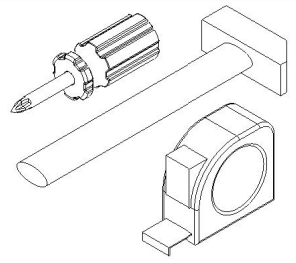
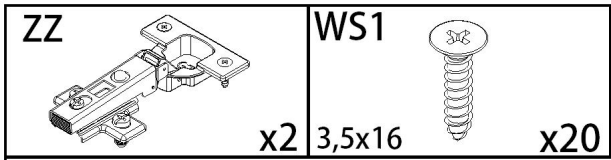


STEP 16

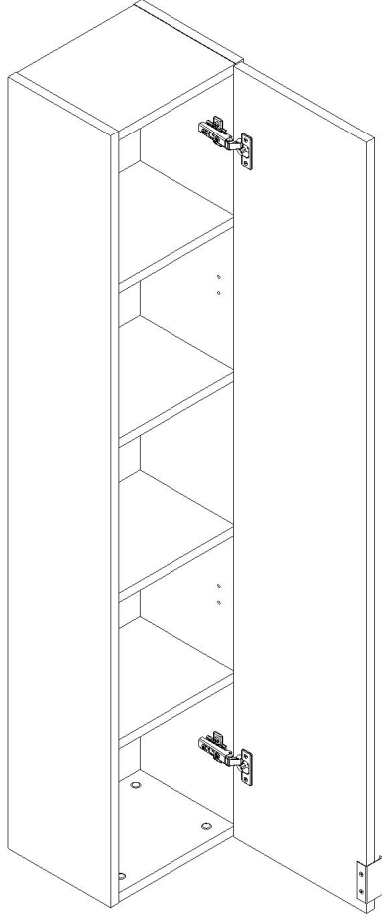


STEP 15



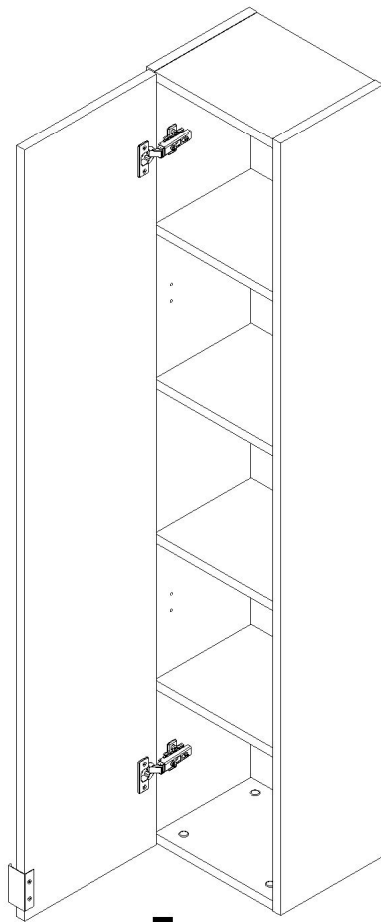


A

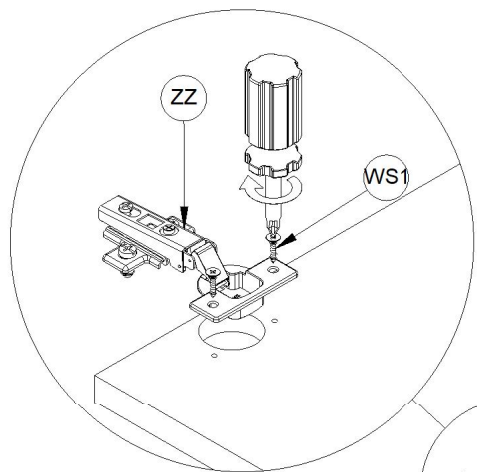


STEP 18

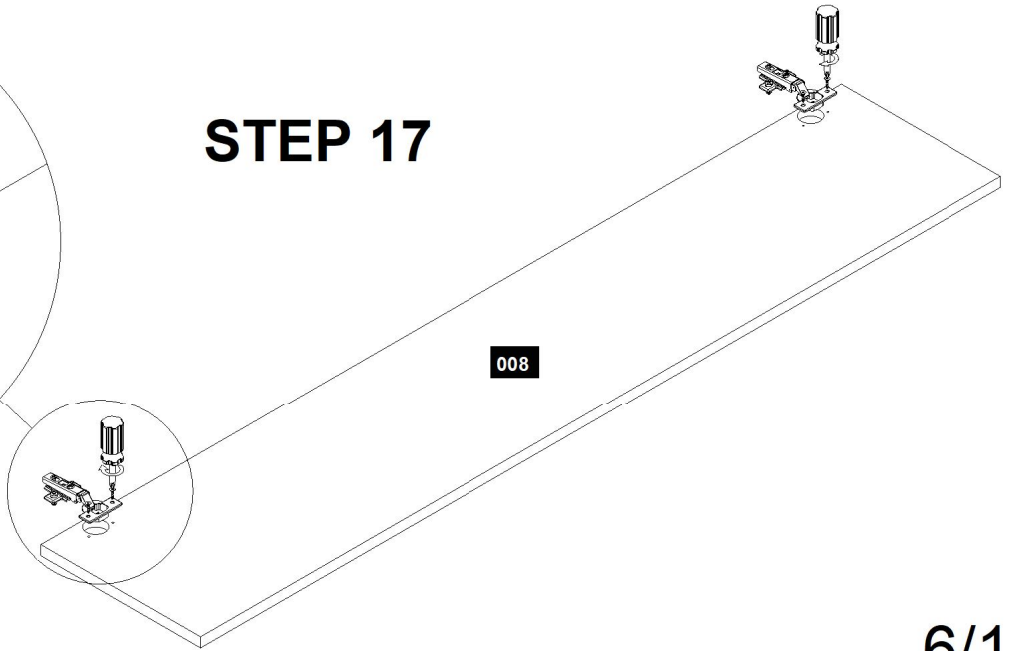
A1



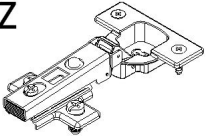

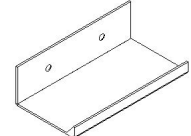


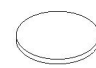
STEP 21



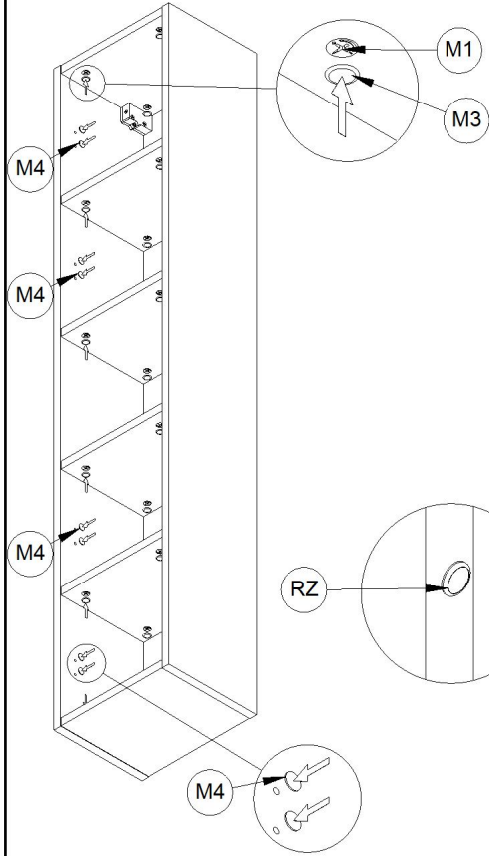
STEP 17



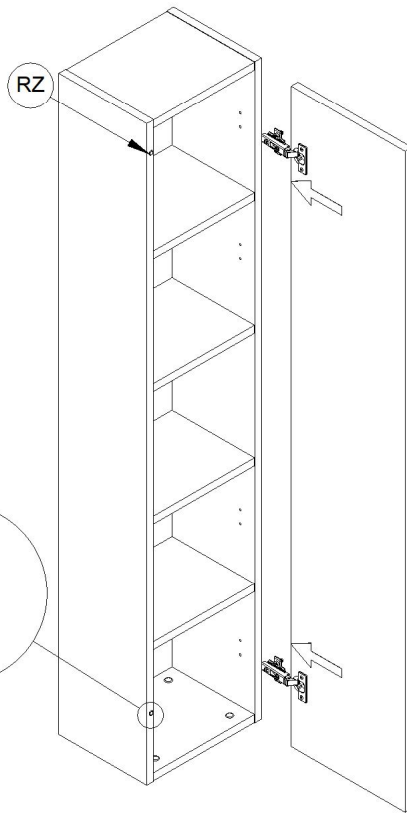
008

ZZ  x2	WS1  3,5x16 x20	U1  x1	RZ  x4	M3  x24
				M4  x12

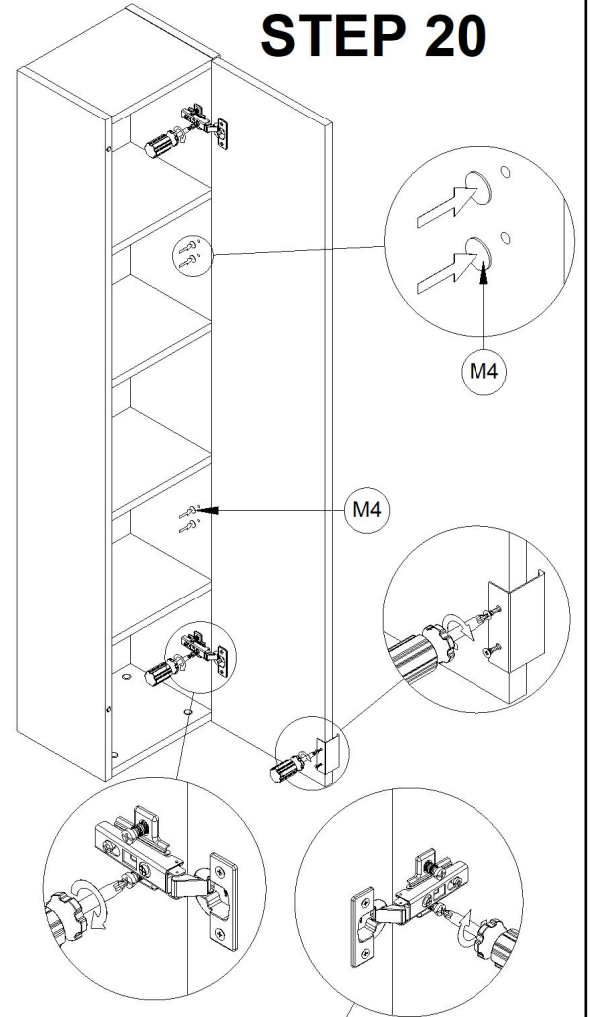
STEP 18



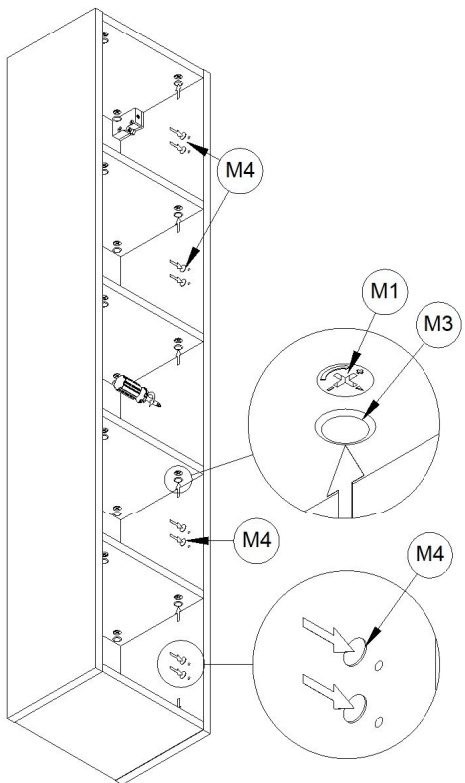
STEP 19



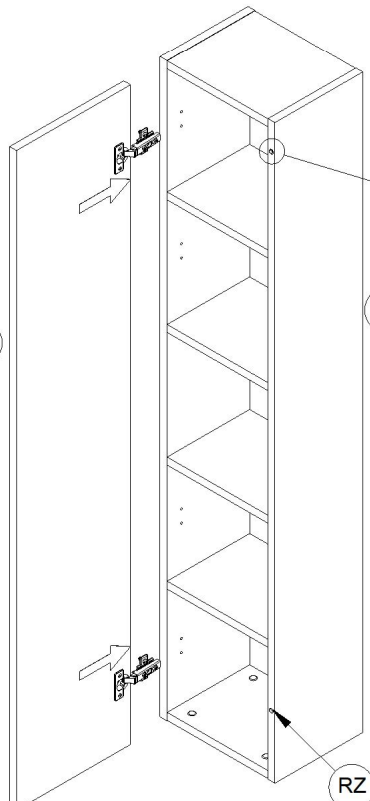
STEP 20



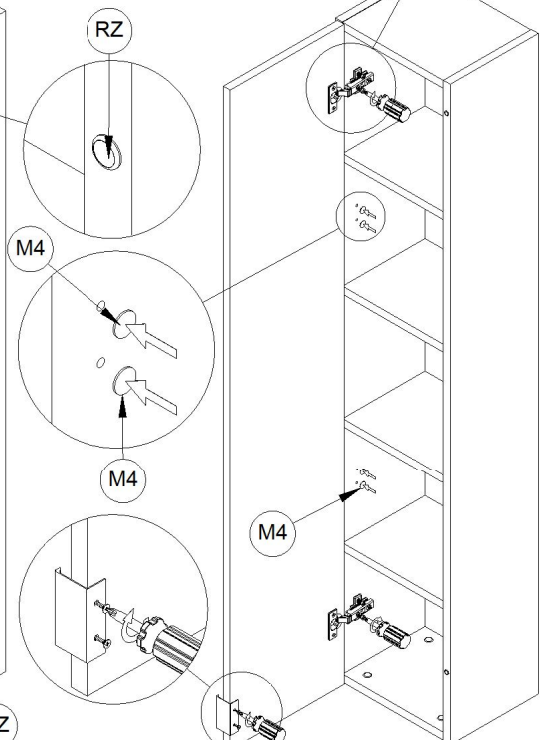
STEP 21

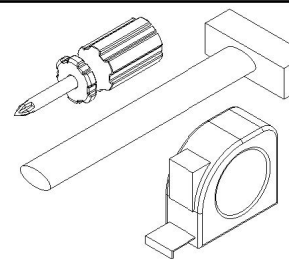
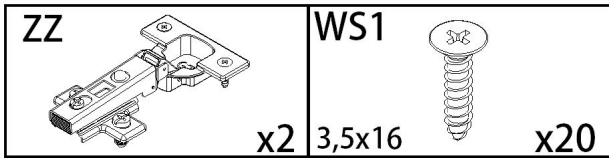


STEP 22

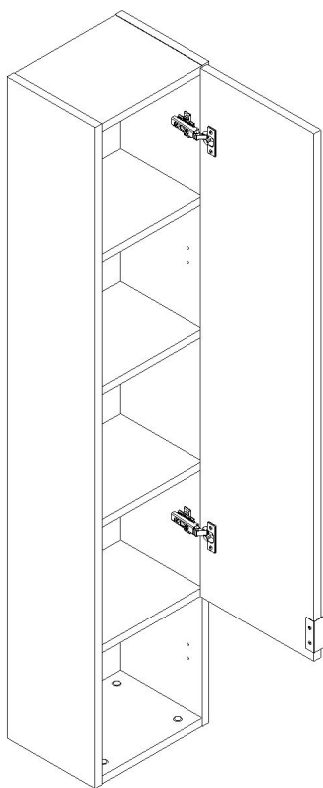


STEP 23



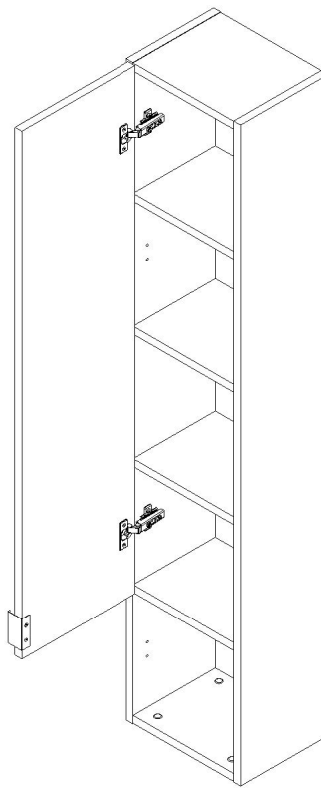


B



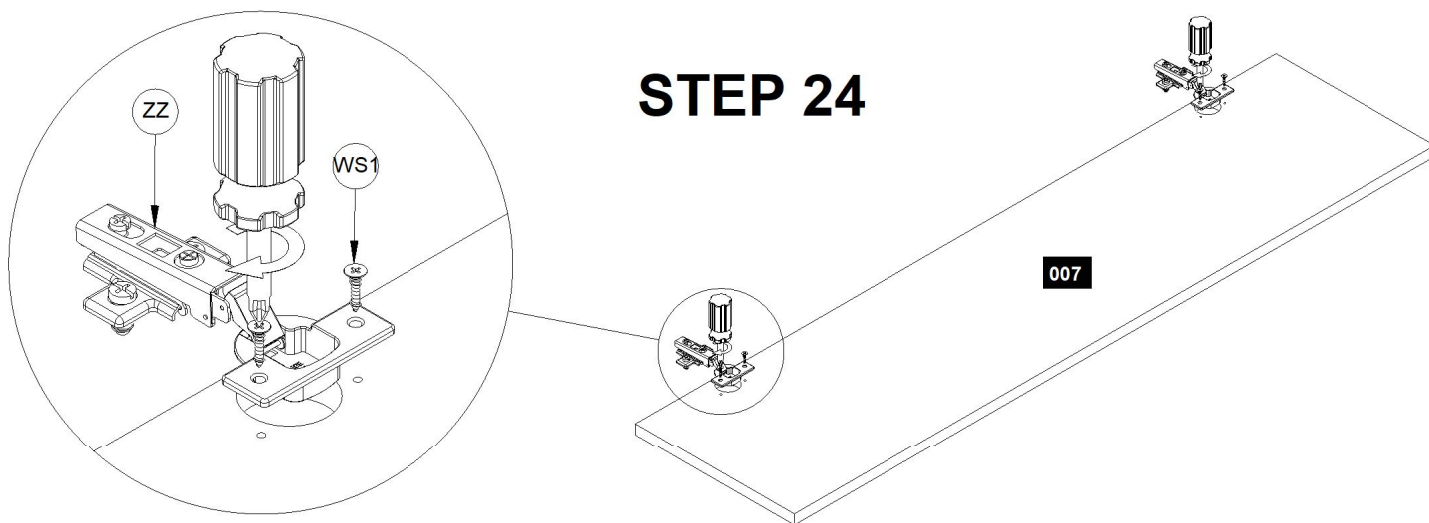
STEP 25

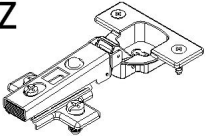

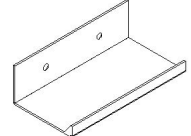


B1

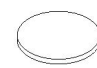


STEP 28

STEP 24



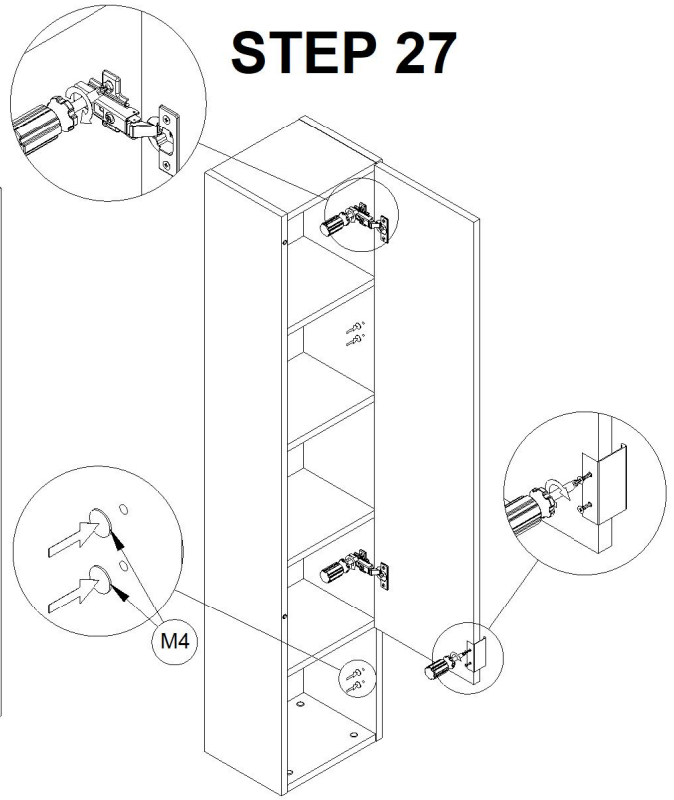
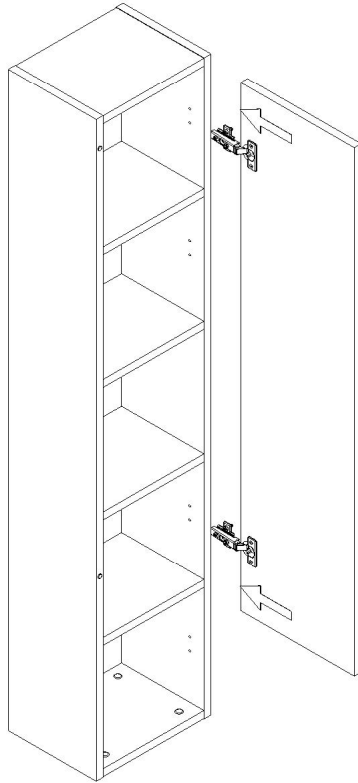
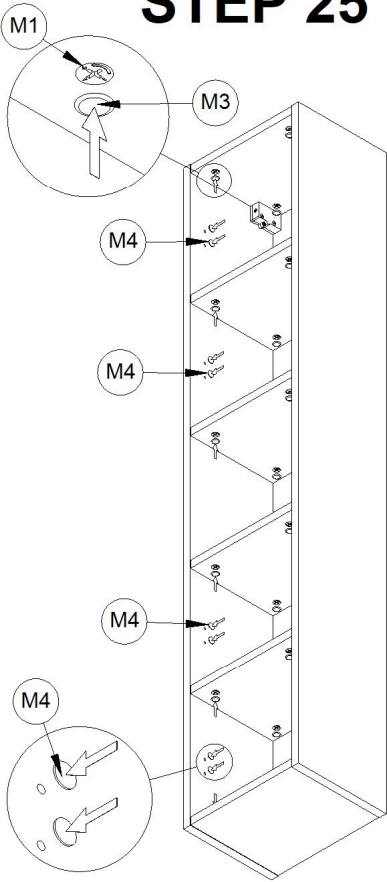
ZZ  x2	WS1  3,5x16 x20	U1  x1	M4  x4	RZ  x2
---	---	--	--	--

M4  x12
--

STEP 25

STEP 26

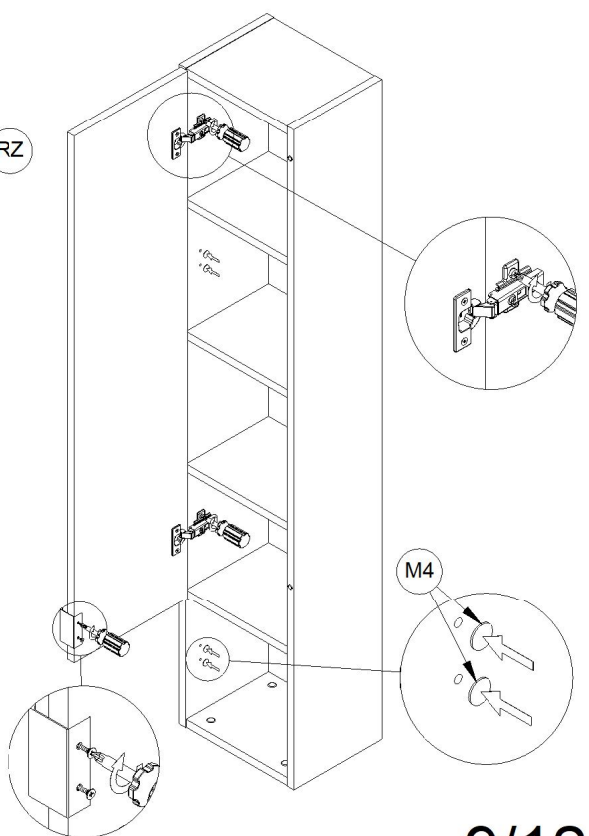
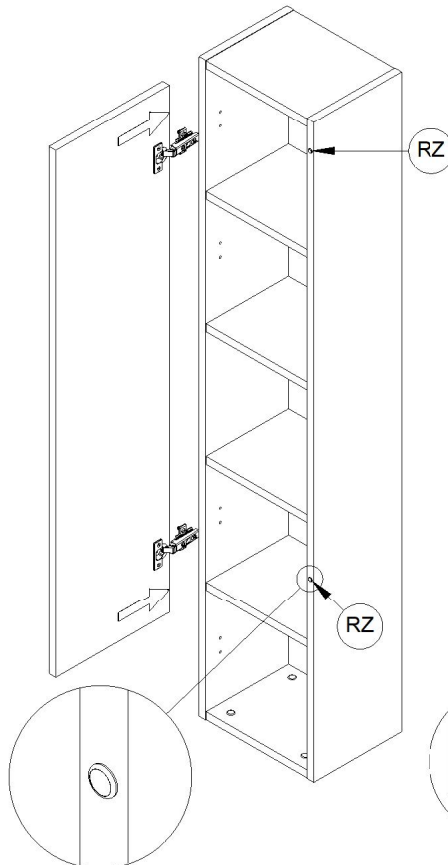
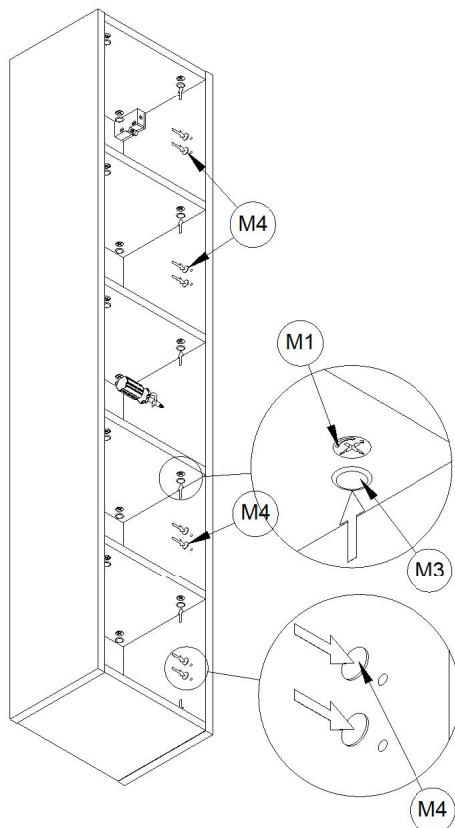
STEP 27

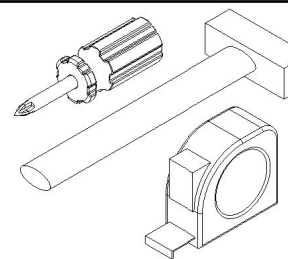
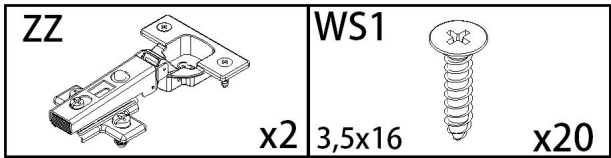


STEP 28

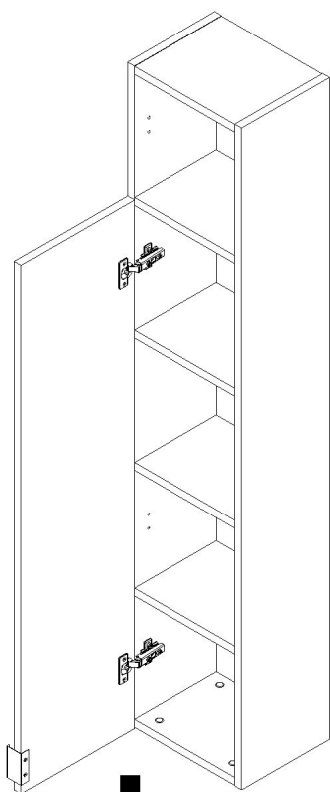
STEP 29

STEP 30



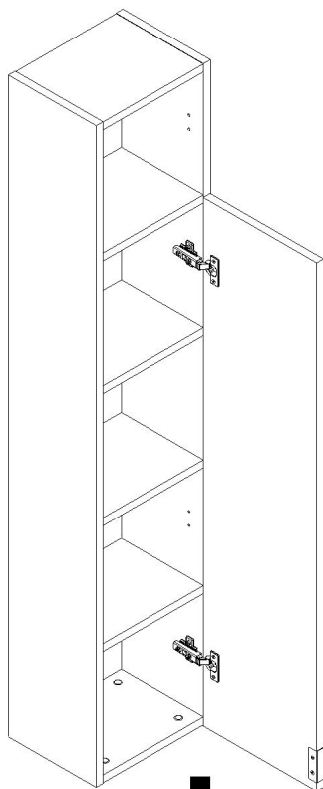


C

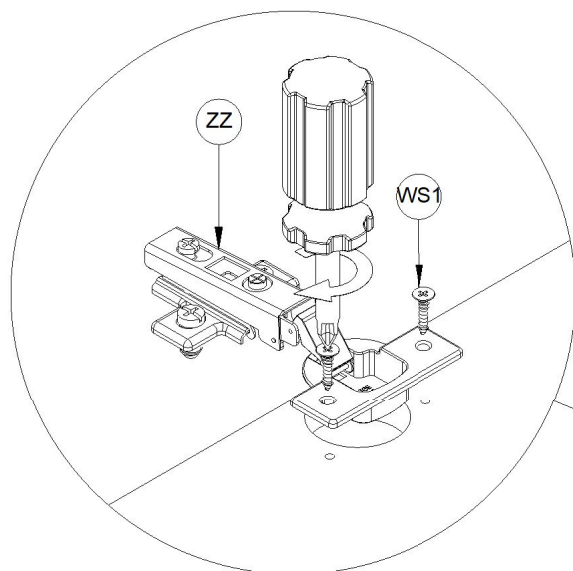


STEP 32

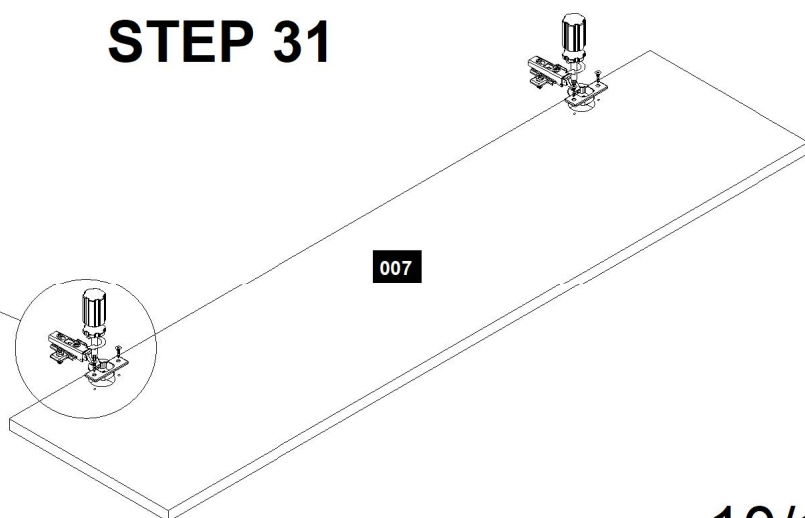
C1

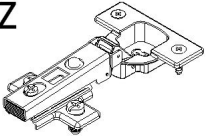

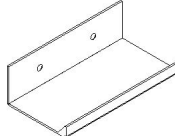


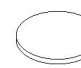


STEP 35



STEP 31

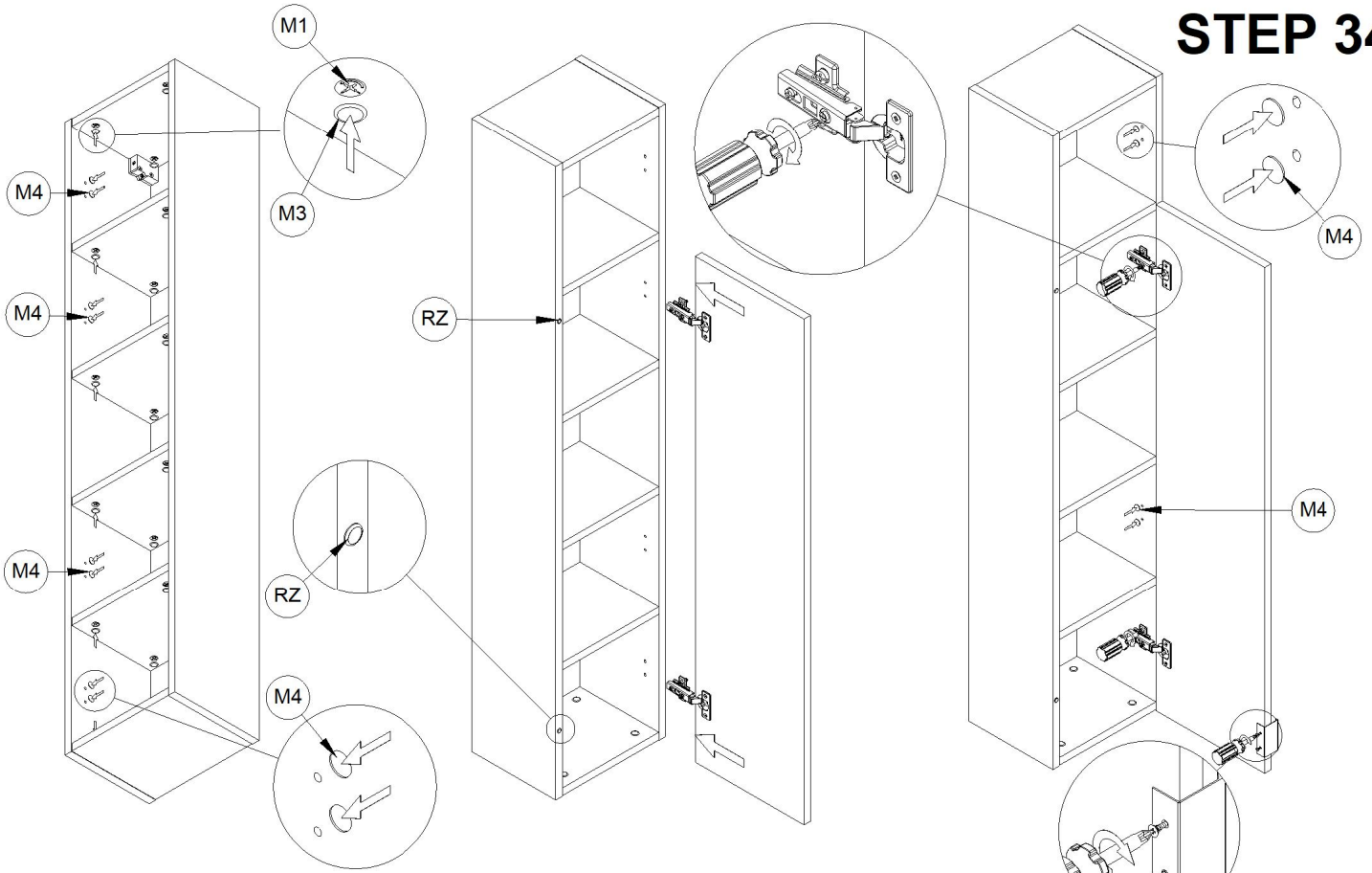


ZZ  x2	WS1  3,5x16 x20	U1  x1	RZ  x2	M3  x24
				M4  x12

STEP 32

STEP 33

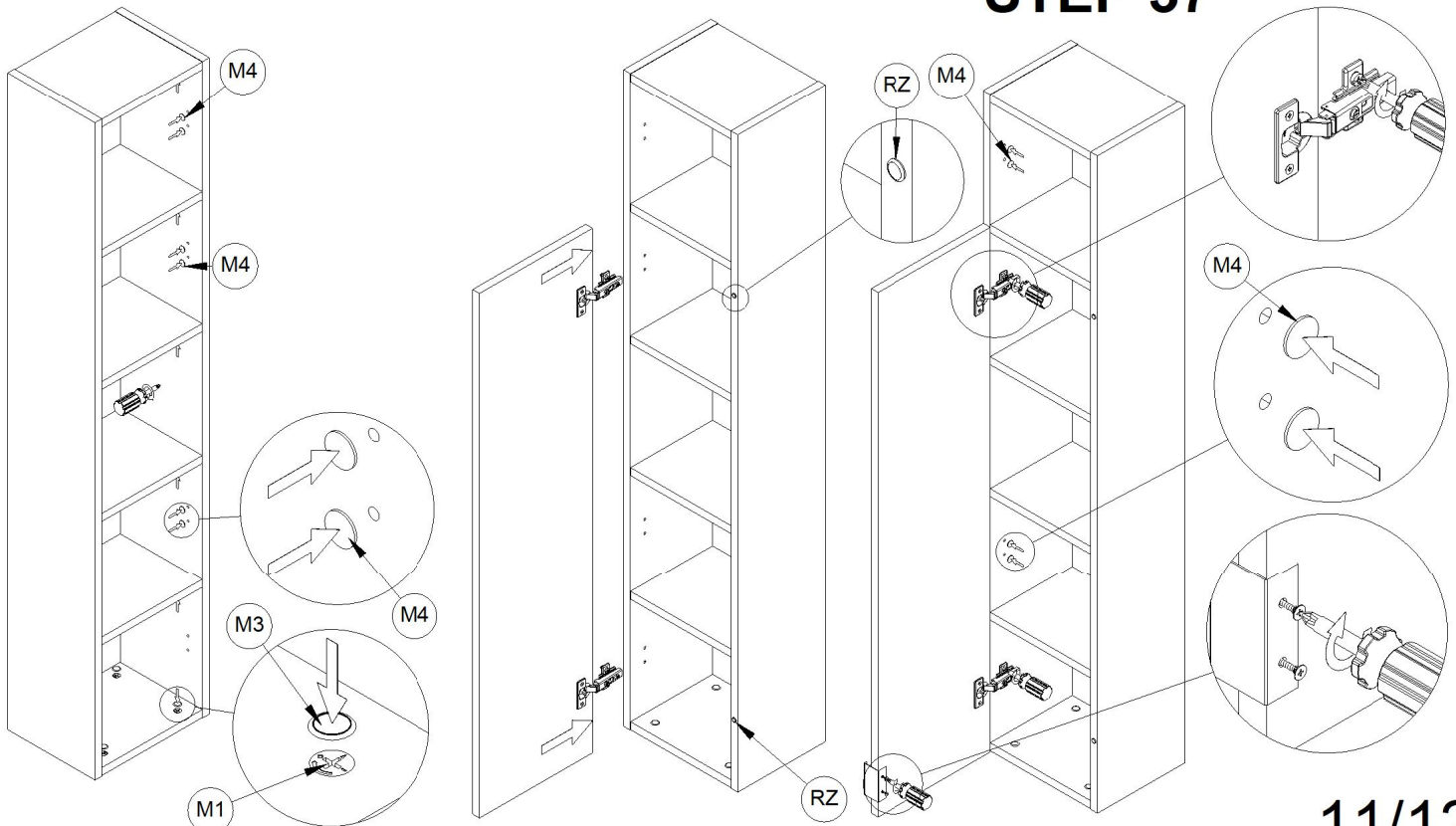
STEP 34



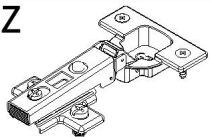
STEP 35

STEP 36

STEP 37



ZZ



x2

