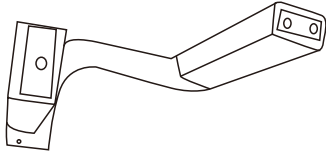
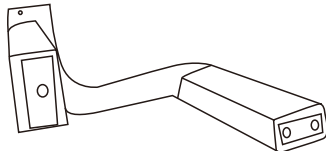

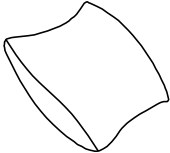
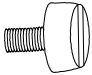


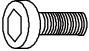



Assembly Instructions

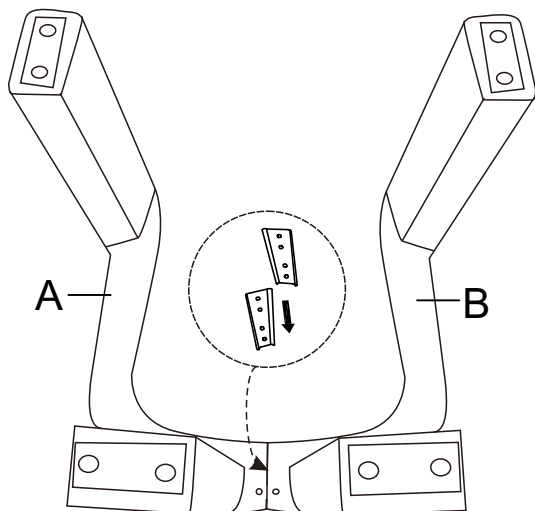
Parts List

Label	Picture	Description	QTY
A		Left seat frame	1
B		Right seat frame	1
C		Cushion	1
D		Pillow	1
E		Foot nails	8
F		Connection strap	1
G		Screw	4
H		Screw	2
I		Wrench	1

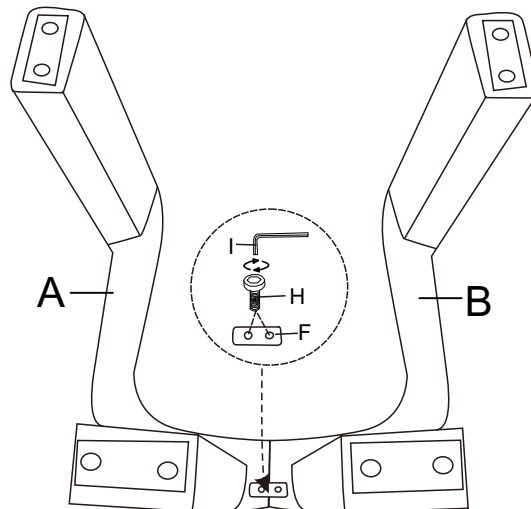
Assembly Instructions

Assembly Steps

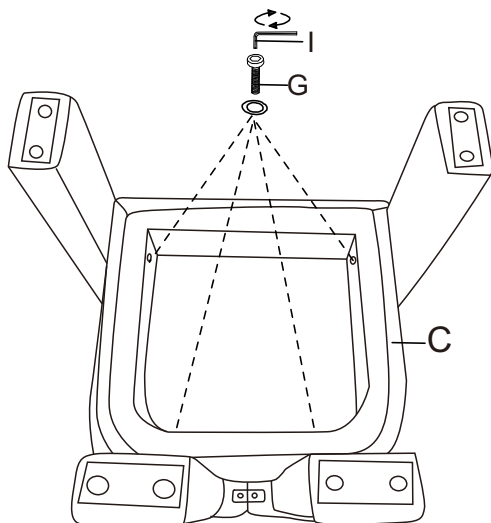
Step 1



Step 2

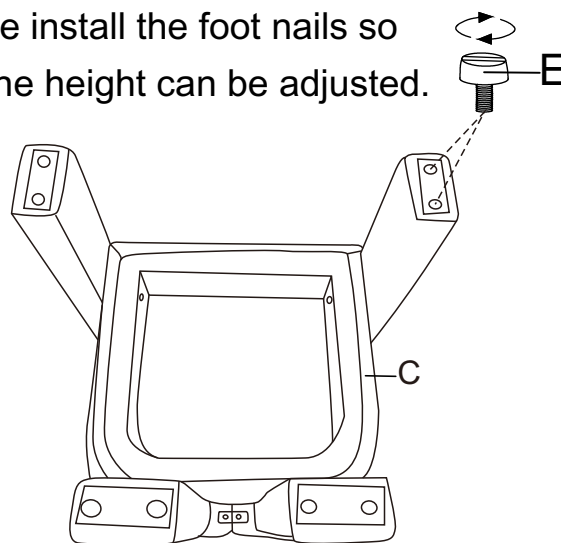


Step 3

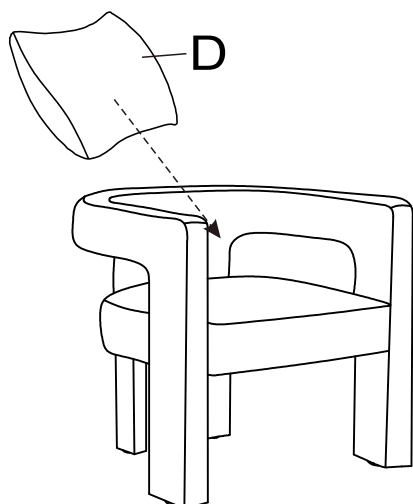


Step 4

Please install the foot nails so that the height can be adjusted.



Step 5



Step 6

