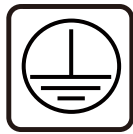
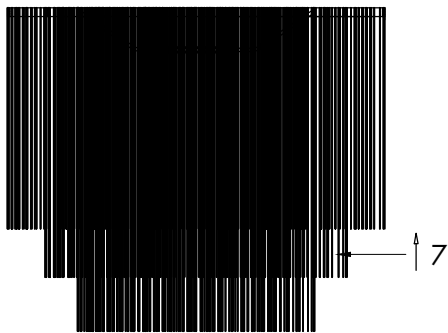
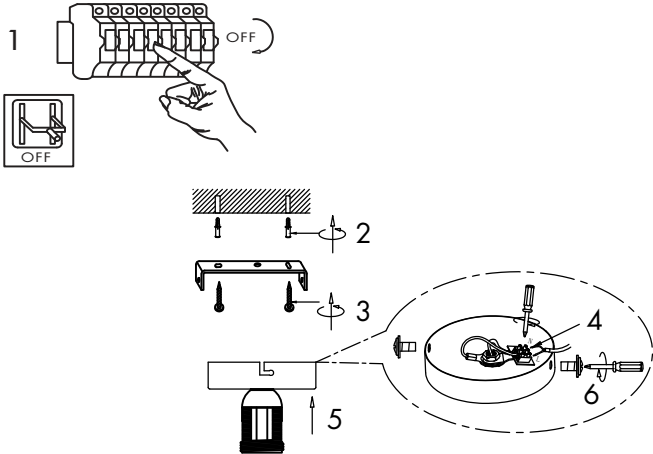


INSTRUCTION MANUAL



Franxa CL
103494, 103495, 103496



Overall Sizes:

