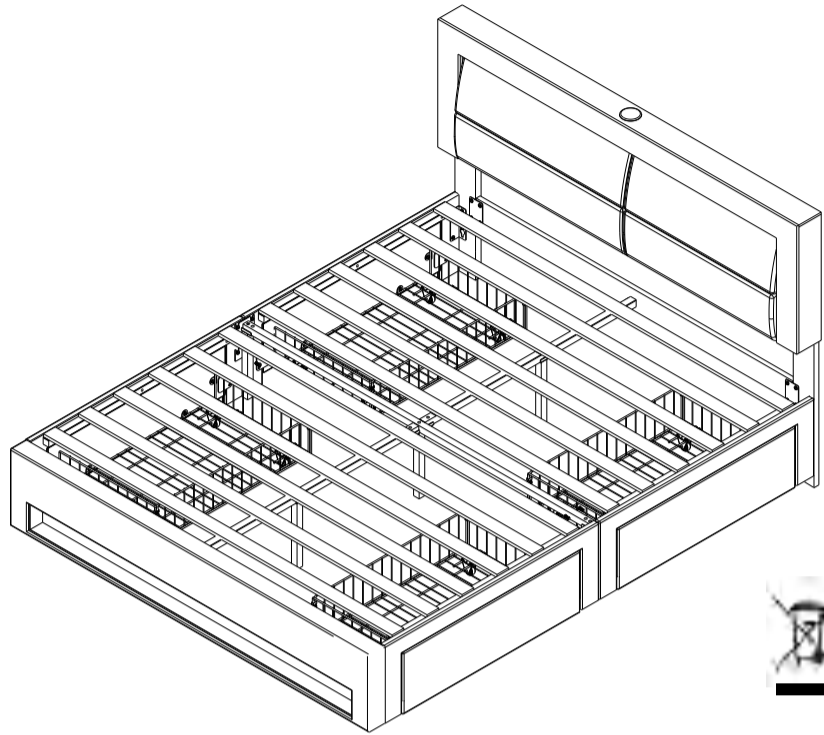


Anleitung

Assembly Instruction

Le manuel d'emploi



N634P233557 / N634P233558



Decobus Handel GmbH
Innungsstrasse 9, 21244 Buchholz, Deutschland

TIPPS

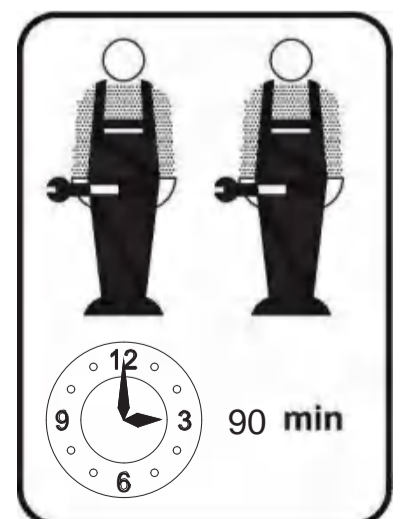
1. Dieses Produkt wird für die Lieferung in 2 Pakete aufgeteilt. Sie kommen möglicherweise nicht gleichzeitig an. Bitte warte geduldig .
2. Wir danken Ihnen für den Einkauf! Wir bemühen uns, Ihnen qualitativ hochwertige Produkte zu bieten. In seltenen Fällen, dass Ihr Produkt beschädigt ist, Teile fehlt oder Sie auf Probleme bei der Montage stoßen, wenden Sie sich damit bitte an unseren Kundendienst, wir werden Ihnen die beste Lösung so schnell wie möglich bieten. Um Ihr Problem schnell zu lösen, bitte stellen Sie uns einige Bilder zur Verfügung, die das Produktproblem deutlich widerspiegeln können. Vielen Dank !
3. Setzen Sie die Schrauben in die Löcher ein und ziehen Sie die Schrauben an, aber nicht zu fest, 70 % ~ 80 % ist genug, und ziehen Sie schließlich alle Schrauben an. Wenn einige Schrauben nicht mit den Löchern ausgerichtet sind oder die Montage einiger Teile schwierig ist, stellen Sie bitte den Straffheitsgrad der Schrauben um.
4. Es wird empfohlen, dass 2 Personen das Produkt installieren.

Tips

- 1.The products are sold in two sets. I don't think they'll arrive at the same time Wait patiently
2. Please read the instructions fully before assembly. These instructions include important information which could ensure correct assembly. We have been working on providing high quality products for you. However, in the rare instance that your product is defective, missing parts or there are some issues, please don't hesitate to contact our customer service to submit parts requirements, assembly suggestion, or warranty claims, and we will give the best solution as soon as possible. If necessary, we need you to provide some more clear pictures of the issue.
- 3.Thank you for shopping! We strive to provide you with high quality products. In rare cases that your product is damaged, missing parts or you encounter assembly problems, please contact our customer service with it, we will offer you the best solution as soon as possible. In order to solve your problem quickly, please provide us with some pictures that can clearly reflect the product problem. Thanks very much !
4. Insert the screws in holes and tighten the screws, but not too tight, 70%~80% is ok, finally tighten all the screws. If some issues happened that some screws can not target to the hole or some parts are difficult to install, please adjust the tightness of the screws.
5. 2 people are recommended to finish.

Conseils

- 1.Produit vendu en deux ensembles. Ils ne devraient pas arriver en même temps Patientez et attendez
- 2.Veuillez lire attentivement les instructions avant le montage. Ces instructions contiennent des informations importantes qui pourraient garantir un montage correct. Nous avons travaillé pour vous fournir des produits de haute qualité. Cependant, dans les rares cas où votre produit est défectueux, s'il manque des pièces ou s'il y a des problèmes, n'hésitez pas à contacter notre service client pour soumettre des exigences de pièces, des suggestions d'assemblage ou des réclamations de garantie, et nous vous donnerons la meilleure solution comme dès que possible. Si nécessaire, nous avons besoin que vous fournissiez des images plus claires du problème.
- 3.Merci pour vos achats ! Nous nous efforçons de vous fournir des produits de haute qualité. Dans les rares cas où votre produit est endommagé, des pièces manquantes ou que vous rencontrez des problèmes de montage, veuillez contacter notre service client avec celui-ci, nous vous proposerons la meilleure solution le plus vite possible. Afin de résoudre votre problème rapidement, veuillez nous fournir des images qui peuvent clairement refléter le problème du produit. Merci beaucoup !
- 4.Insérez les vis dans les trous et serrez les vis, mais pas trop serré, 70% ~ 80% est ok, enfin serrez toutes les vis. Si certains problèmes surviennent, certaines vis ne peuvent pas viser le trou ou certaines pièces sont difficiles à installer, veuillez ajuster le serrage des vis.
5. Deux personnes sont recommandées pour le terminer.



English

IMPORTANT ! KEEP FOR FUTURE REFERENCE : READ CAREFULLY

- To be assembled by an adult. Assembly must be checked by an adult before use
 - **WARNING !** Keep all screws, small parts and plastic bags out of the reach of children
 - Properly identify all parts before assembling
 - Never use your item if any of its parts are broken or missing
 - Should any problems arise, please contact our After Sales Service
 - Manufacturer's instructions shall be followed at all times
 - Care: Clean with a soft, dry cloth. In case of larger stains, carefully rub with a slightly damp, non-abrasive sponge
 - Avoid the risk of fire by not placing furniture near sources of ignition or hot items
- Do not jump on the bed

Deutsch

WICHTIG ! ZUM SPÄTEREN NACHSCHLAGEN AUFBEWAHREN: SORGFÄLTIG LESEN

- Muss von einem Erwachsenen zusammengebaut werden. Der Zusammenbau muss vor dem Gebrauch von einem Erwachsenen überprüft werden
 - **WARNUNG!** Bewahren Sie alle Schrauben, Kleinteile und Plastikbeutel außerhalb der Reichweite von Kindern auf
 - Kennzeichnen Sie vor dem Zusammenbau alle Teile richtig
 - Benutzen Sie Ihren Artikel niemals, wenn Teile gebrochen sind oder fehlen
 - Sollten Probleme auftreten, wenden Sie sich bitte an unseren Kundendienst
 - Die Anweisungen des Herstellers sind stets zu befolgen
 - Pflege: Mit einem weichen, trockenen Tuch reinigen. Bei größeren Flecken vorsichtig mit einem leicht feuchten, nicht scheuernden Schwamm abreiben. nicht scheuernden Schwamm
 - Vermeiden Sie die Gefahr eines Brandes, indem Sie die Möbel nicht in der Nähe von Zündquellen oder heißen Gegenständen aufstellen
- Nicht auf das Bett springen

Français

IMPORTANT ! CONSERVER POUR RÉFÉRENCE ULTÉRIEURE : LIRE ATTENTIVEMENT

- Le montage doit être effectué par un adulte. Le montage doit être vérifié par un adulte avant Utilisation
 - **ATTENTION !** Tenir les vis, les petites pièces et les sachets en plastique hors de portée des enfants
 - Identifiez correctement toutes les pièces avant de les assembler
 - N'utilisez jamais votre article si l'une de ses pièces est cassée ou manquante
 - En cas de problème, veuillez contacter notre service après-vente
 - Les instructions du fabricant doivent être respectées à tout moment
 - Entretien : nettoyer avec un chiffon doux et sec. En cas de taches plus importantes, frotter soigneusement avec une éponge non abrasive légèrement humide. légèrement humide et non Abrasive
 - Évitez les risques d'incendie en ne plaçant pas les meubles à proximité de sources d'inflammation ou d'objets chauds
- Ne pas sauter sur le lit

Italiano

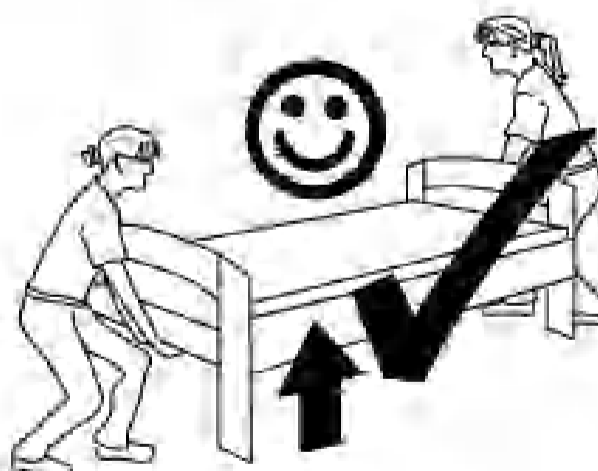
IMPORTANTE! CONSERVARE PER RIFERIMENTO FUTURO: LEGGERE ATTENTAMENTE

- Deve essere assemblato da un adulto. L'assemblaggio deve essere controllato da un adulto prima dell'uso
- ATTENZIONE! Tenere tutte le viti, le piccole parti e i sacchetti di plastica fuori dalla portata dei bambini
- Identificare correttamente tutte le parti prima dell'assemblaggio
- Non utilizzare mai l'articolo se alcune parti sono rotte o mancanti
- In caso di problemi, si prega di contattare il nostro Servizio Post Vendita
- Le istruzioni del produttore devono essere sempre seguite
- Cura: Pulire con un panno morbido e asciutto. In caso di macchie più estese, strofinare accuratamente con una spugna leggermente umida e nonspugna leggermente umida e non abrasiva
- Evitare il rischio di incendio, non collocando i mobili vicino a fonti di accensione o a oggetti caldi
- Non saltare sul letto

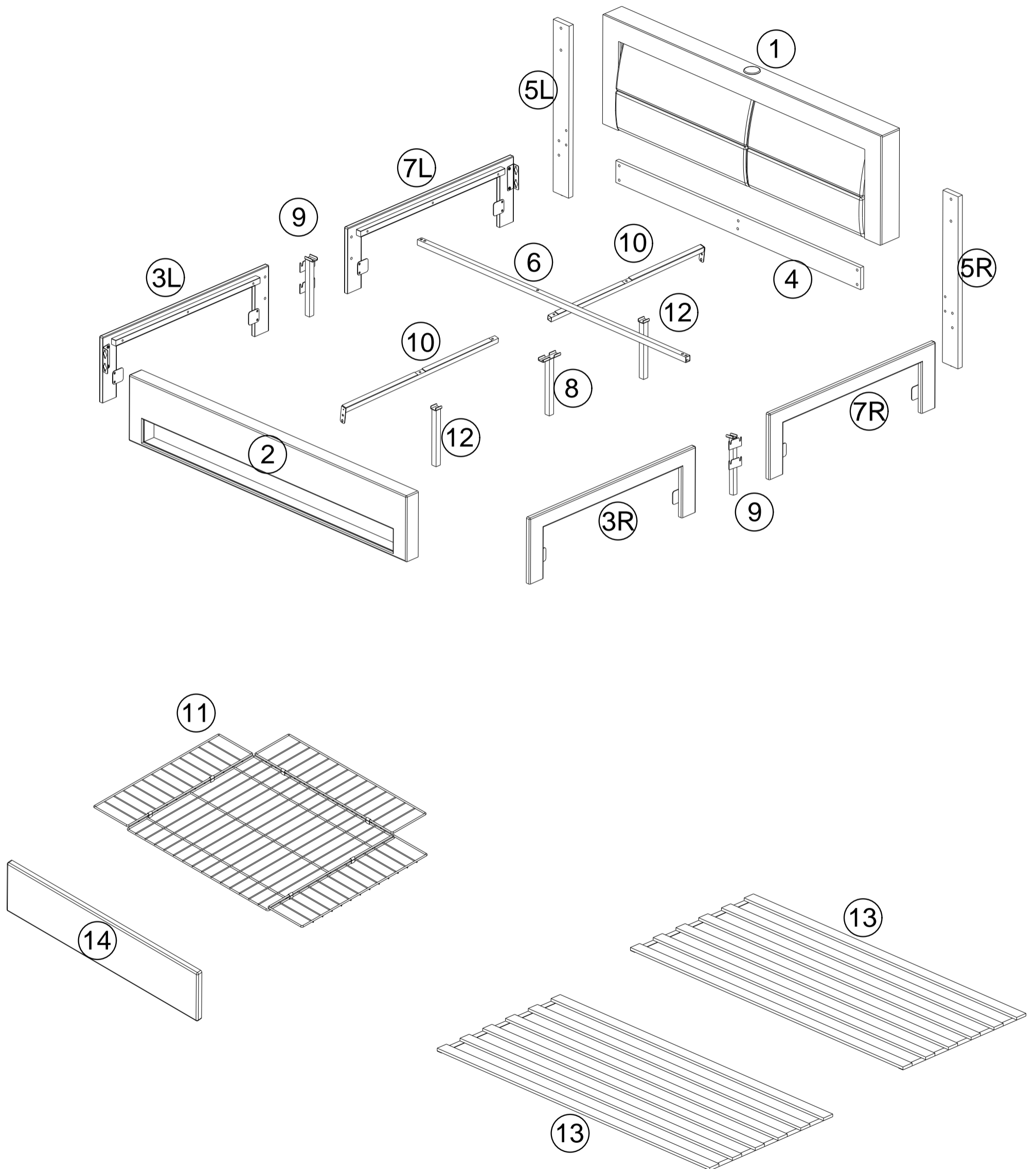
Español

¡ IMPORTANTE ! CONSERVELO PARA FUTURAS CONSULTAS: LEA ATENTAMENTE

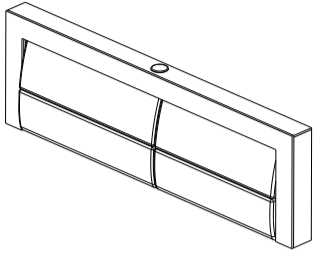
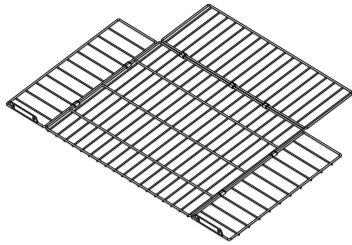
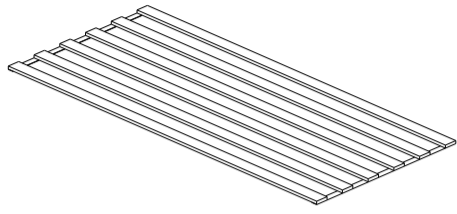
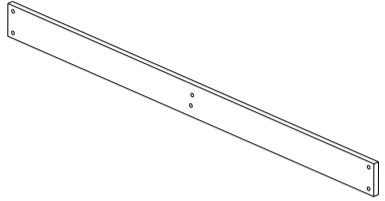
- Debe ser montado por un adulto. El montaje debe ser comprobado por un adulto antes del uso
- ADVERTENCIA Mantenga todos los tornillos, piezas pequeñas y bolsas de plástico fuera del alcance de los niños.
- Identifique correctamente todas las piezas antes de montarlas
 - Nunca utilice su artículo si alguna de sus piezas está rota o falta
 - Si surge algún problema, póngase en contacto con nuestro Servicio Postventa
 - Las instrucciones del fabricante deben seguirse en todo momento
 - Cuidado: Limpiar con un paño suave y seco. En caso de manchas más grandes, frote cuidadosamente con una esponja no abrasiva ligeramente humedecida.
 - Evite el riesgo de incendio no colocando los muebles cerca de fuentes de ignición u objetos calientes.
 - No saltar sobre la cama.



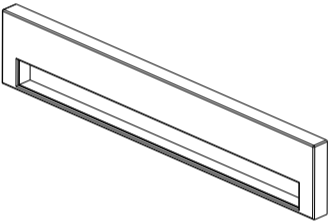
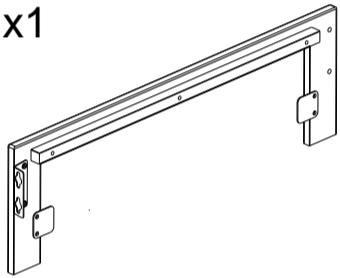
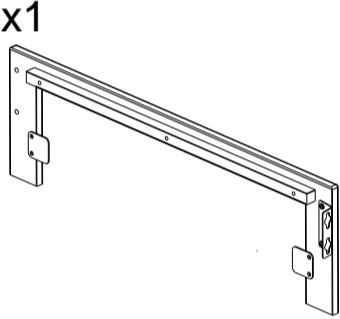
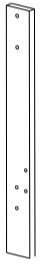
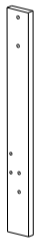
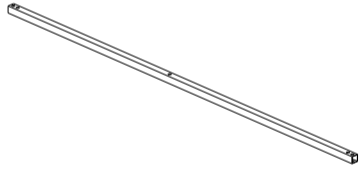
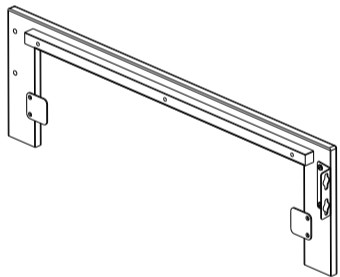
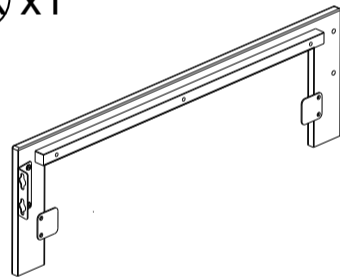
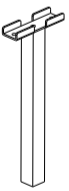
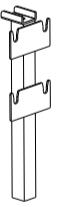
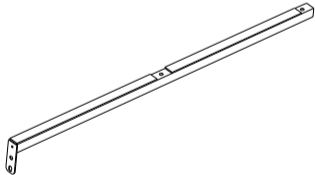

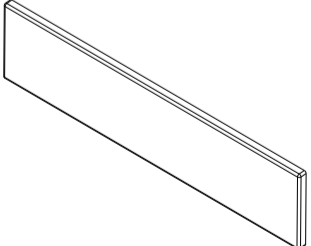
Stückliste



Teileliste-Parts list-Liste des pieces N634P233557

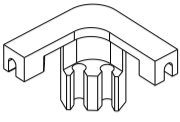
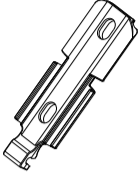
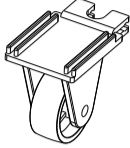
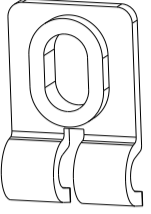
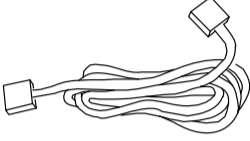
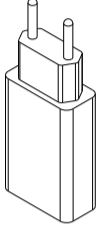
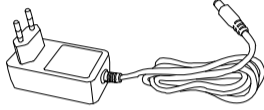
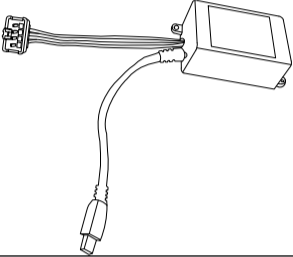
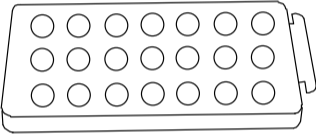
<p>① x1</p> 	<p>⑪ x4</p> 	<p>⑬ x2</p> 	<p>④ x1</p> 
---	---	---	---

Teileliste-Parts list-Liste des pieces N634P233558

<p>② x1</p> 	<p>③L x1</p> 	<p>③R x1</p> 	<p>⑤L x1</p> 
<p>⑤R x1</p> 	<p>⑥ x1</p> 	<p>⑦L x1</p> 	<p>⑦R x1</p> 
<p>⑧ x1</p> 	<p>⑨ x2</p> 	<p>⑩ x2</p> 	<p>⑫ x2</p> 
<p>⑭ x4</p> 			




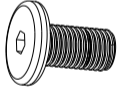

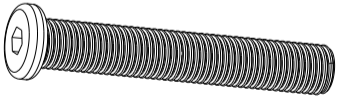
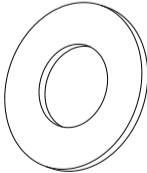
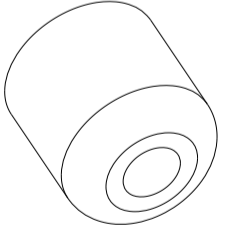

Hardware List-Liste de matériel

N634P233557

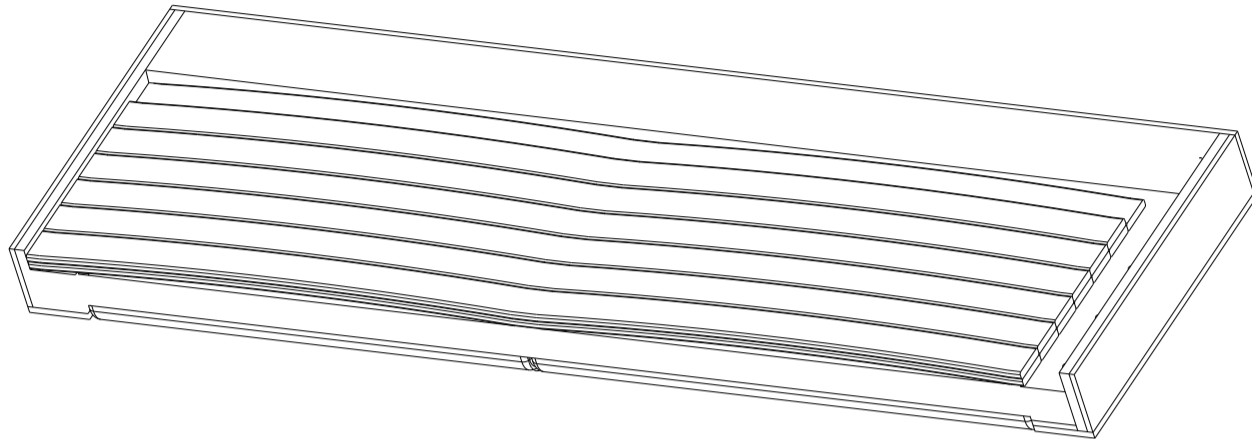
<p>J x8</p> 	<p>K x8</p> 	<p>L x16</p> 	<p>Mx4</p> 
<p>N x1</p> 	<p>P x1</p> 	<p>Q x1</p> 	<p>R x1</p> 
<p>S x1</p> 			

Hardware List-Liste de matériel

N634P233558

<p>A x1</p> 	<p>B x2</p>  <p>M6x40mm</p>	<p>C x8</p>  <p>M8x16mm</p>	<p>D x16</p>  <p>M8x20mm</p>
<p>E x9</p>  <p>M8x35mm</p>	<p>F x4</p>  <p>M8x45mm</p>	<p>G x4</p> 	<p>H x2</p> 
<p>T x20</p>  <p>M8x16mm</p>			

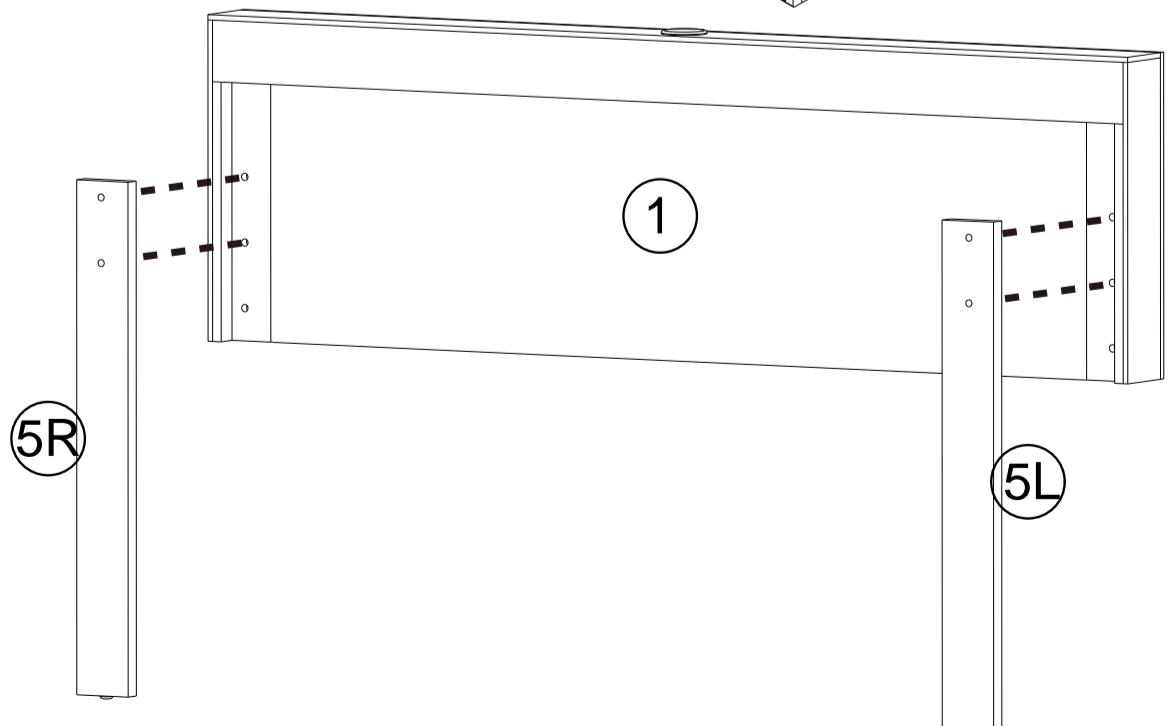
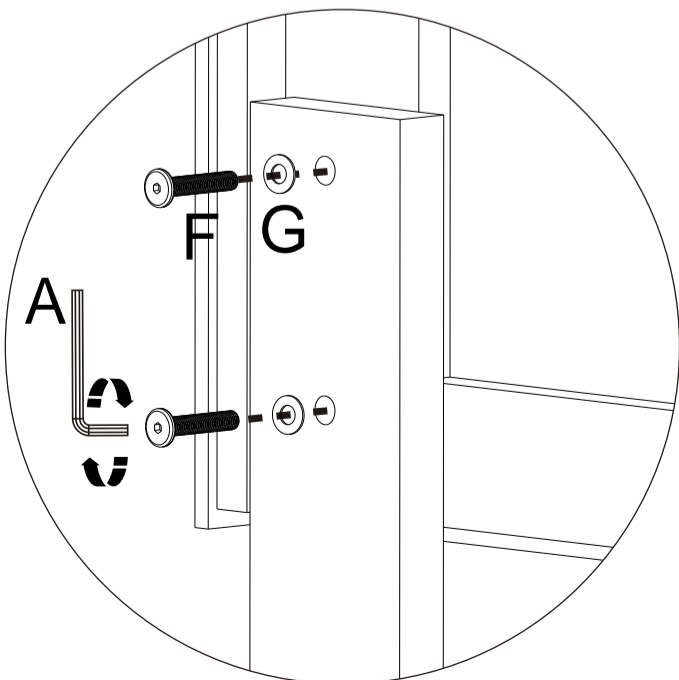
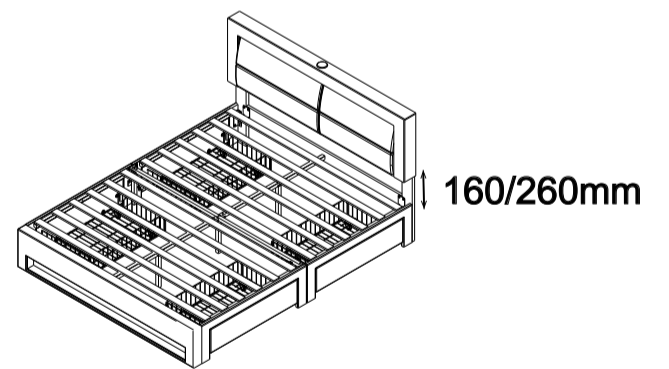
1



1 11 13

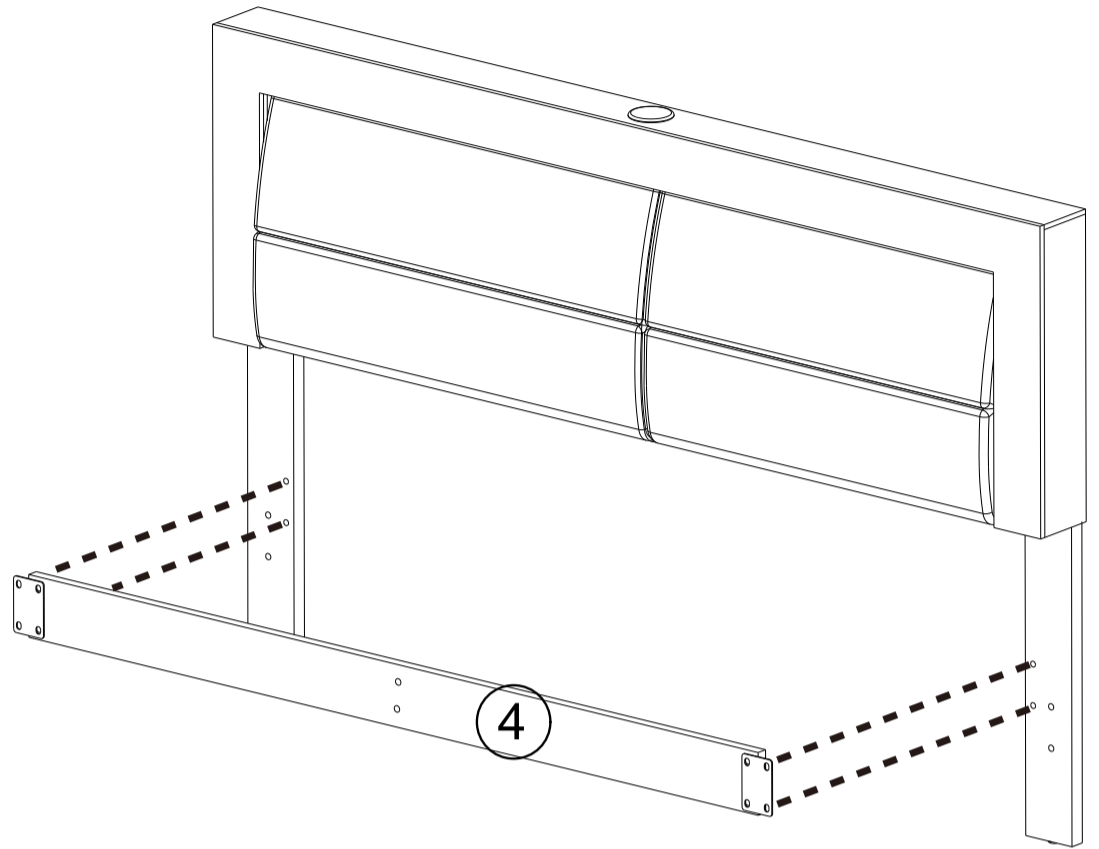
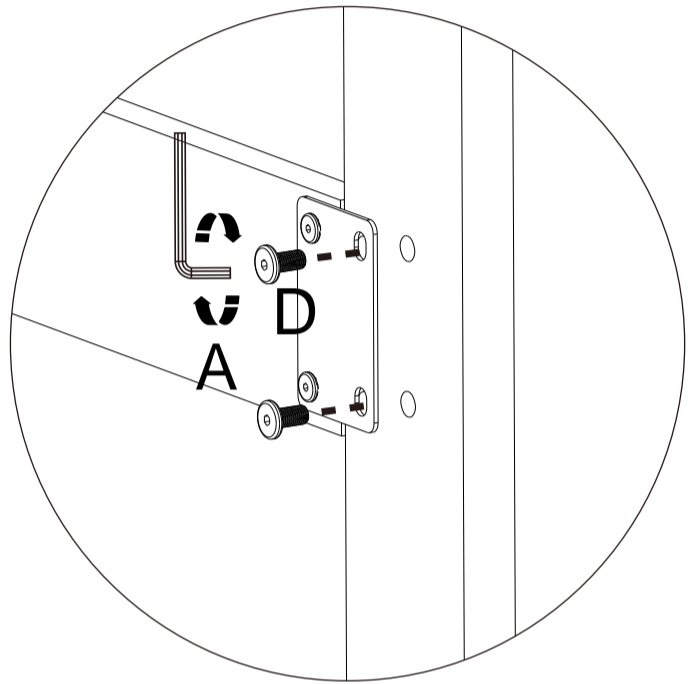
2

A x 1 	F x 4  M8 x 45mm	G x 4 	
--	---	---	--



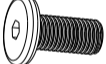



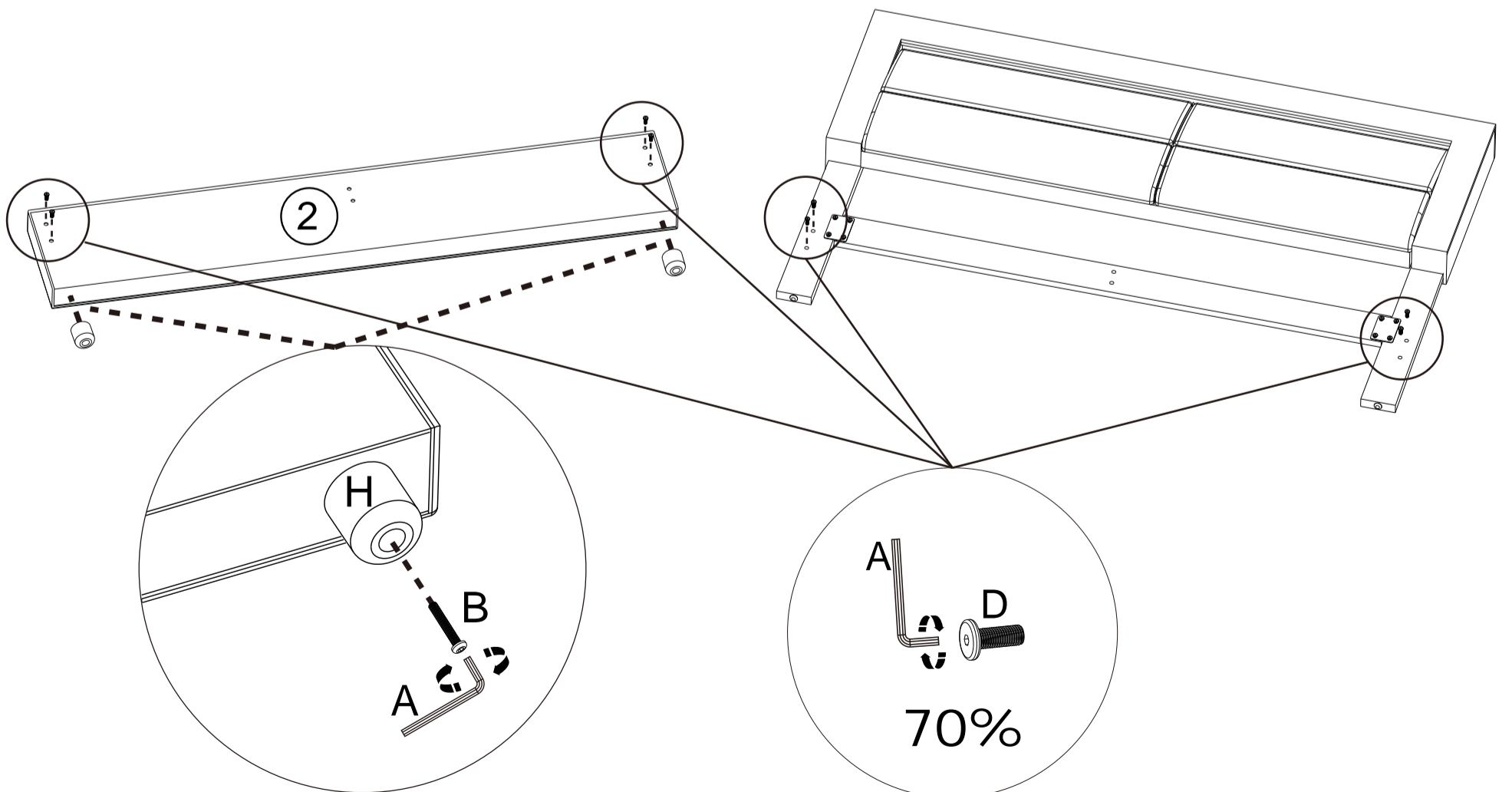
3

A x 1	D x 4	
	 M8 x 20mm	



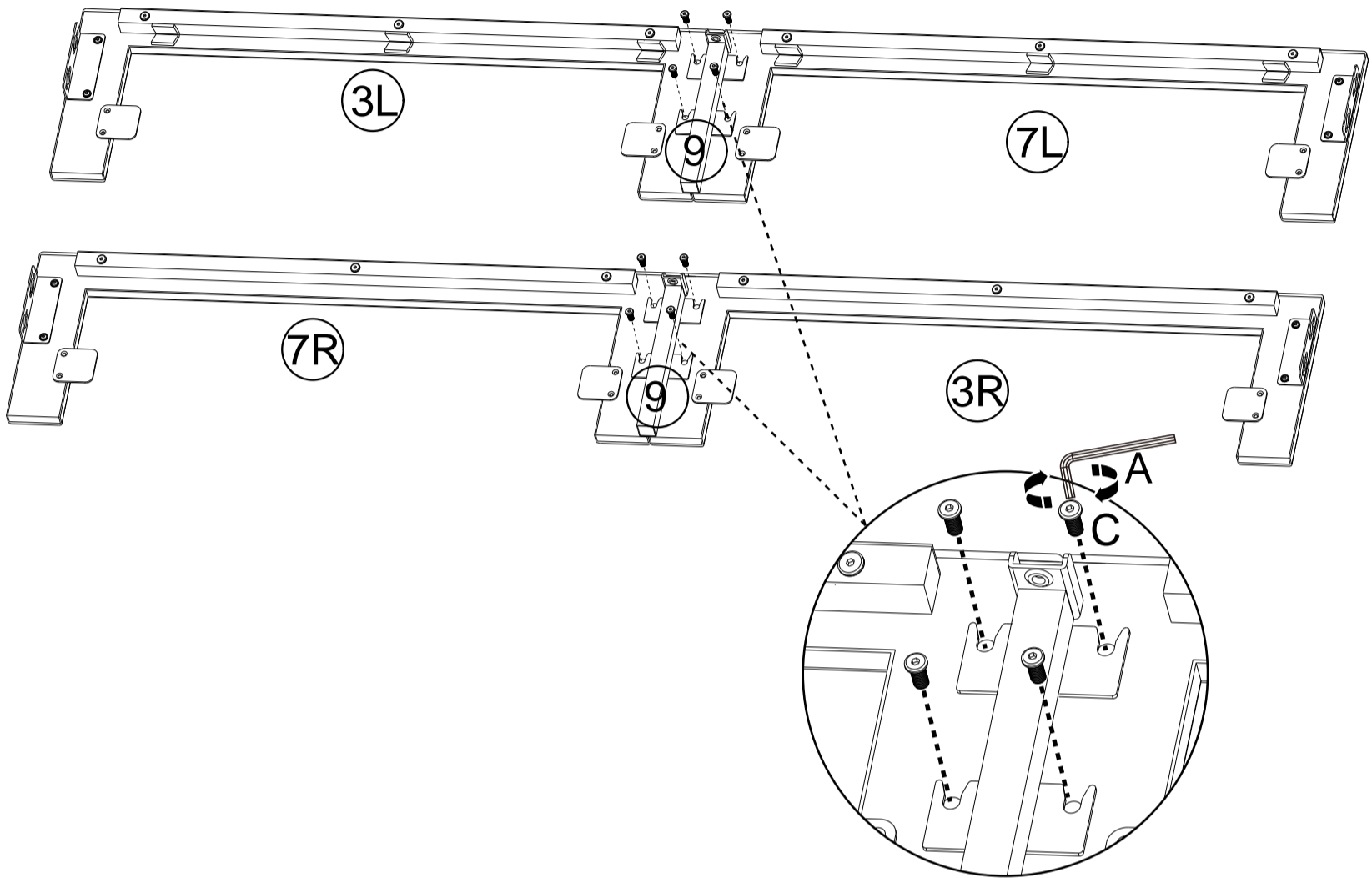
4

A x 1	B x 2	D x 8	H x 2	
	 M6 x 40mm	 M8 x 20mm		



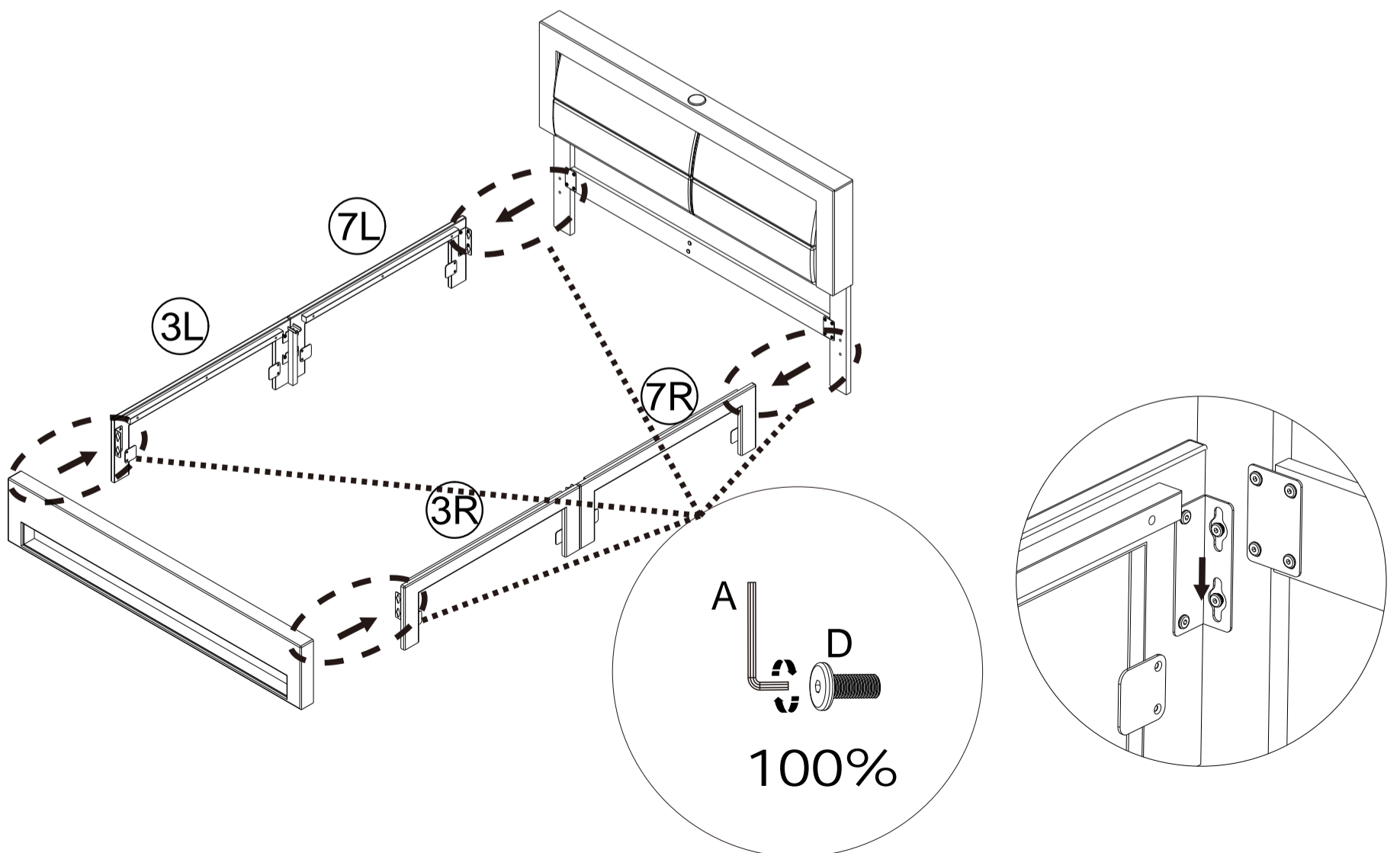
5

A x 1	C x 8
	
	M8 x 16mm



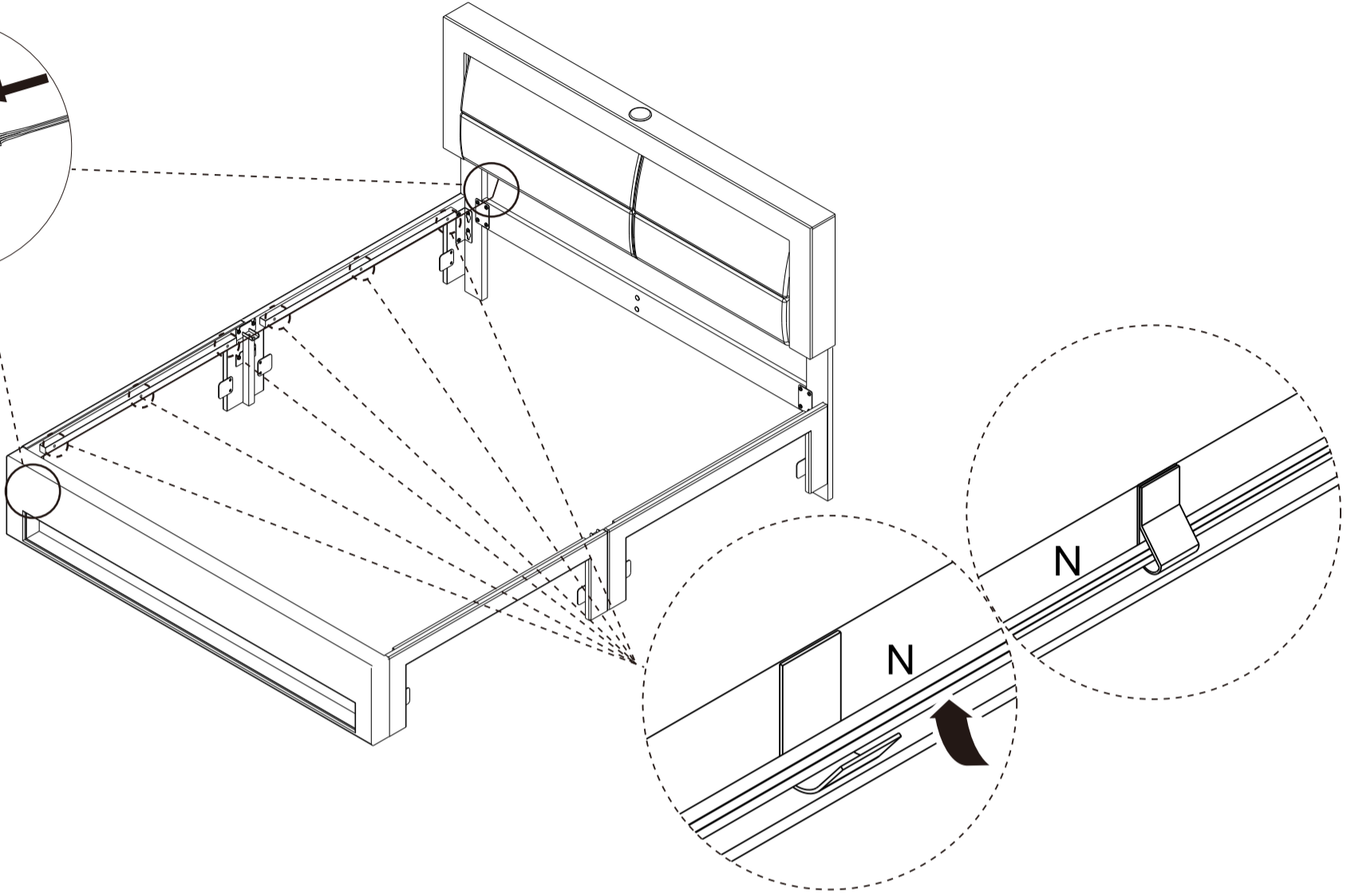
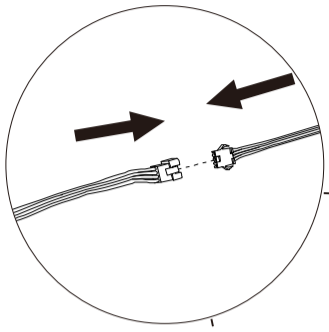
6

A x 1	
	



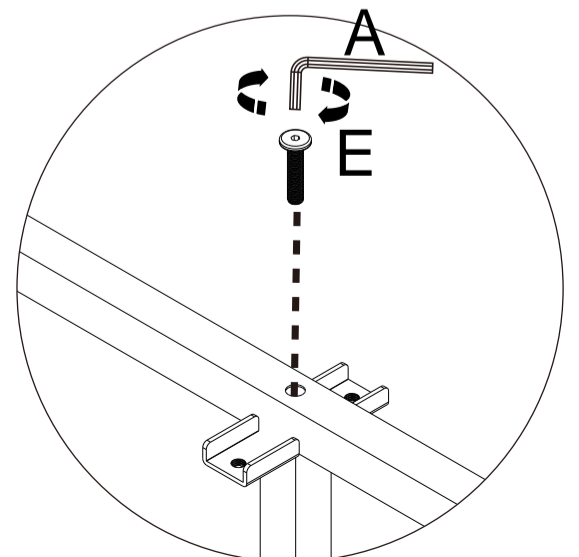
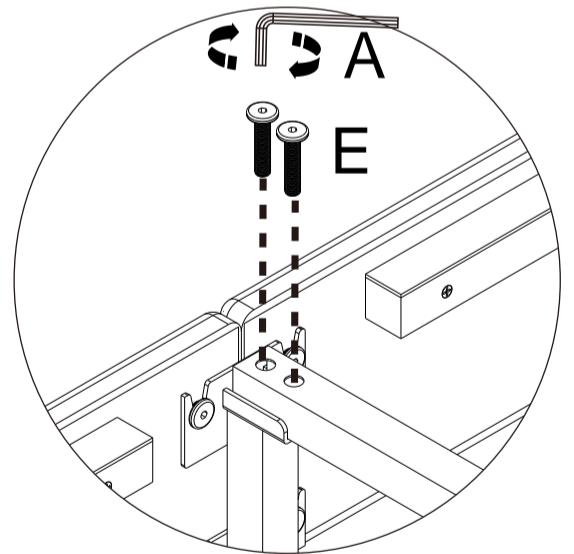
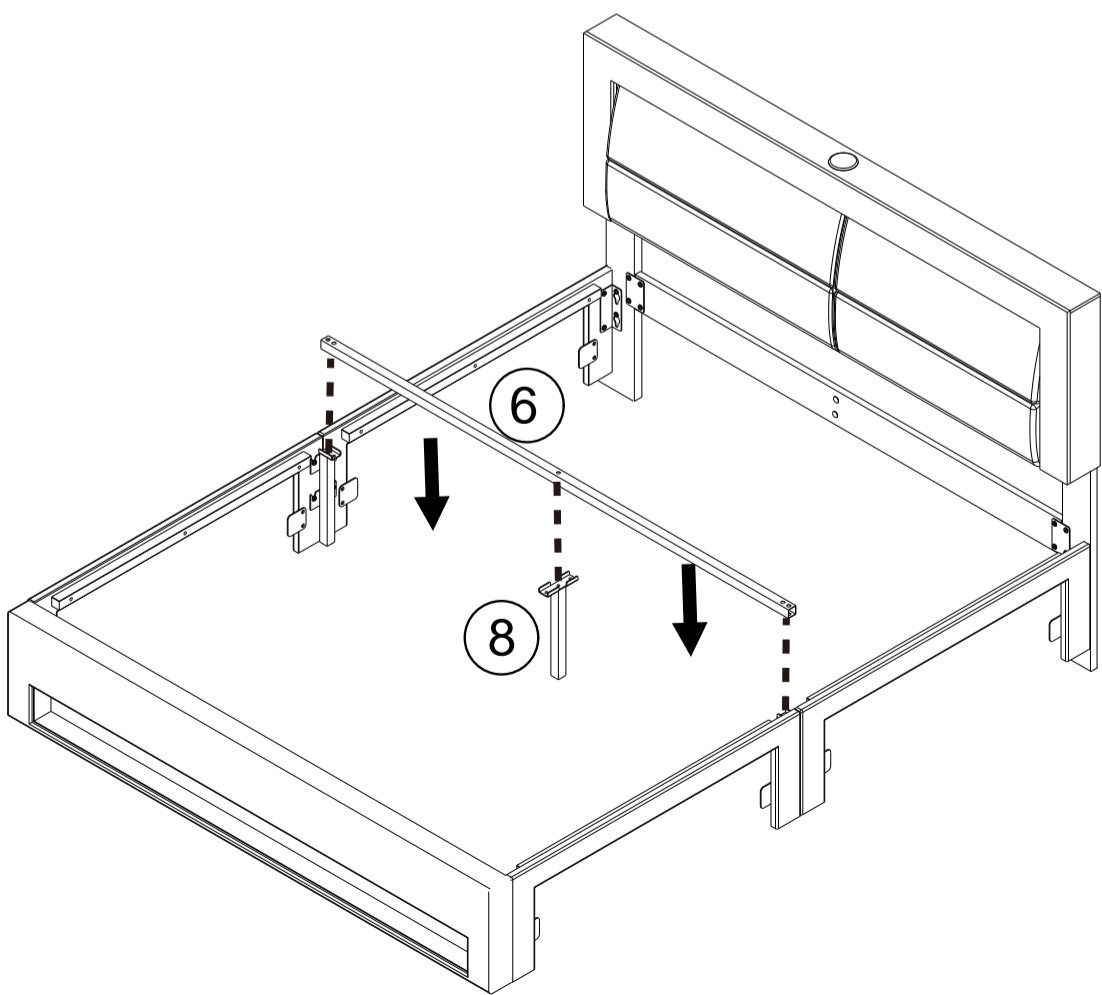
7

N x 1	
-------	---


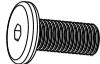
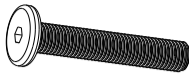


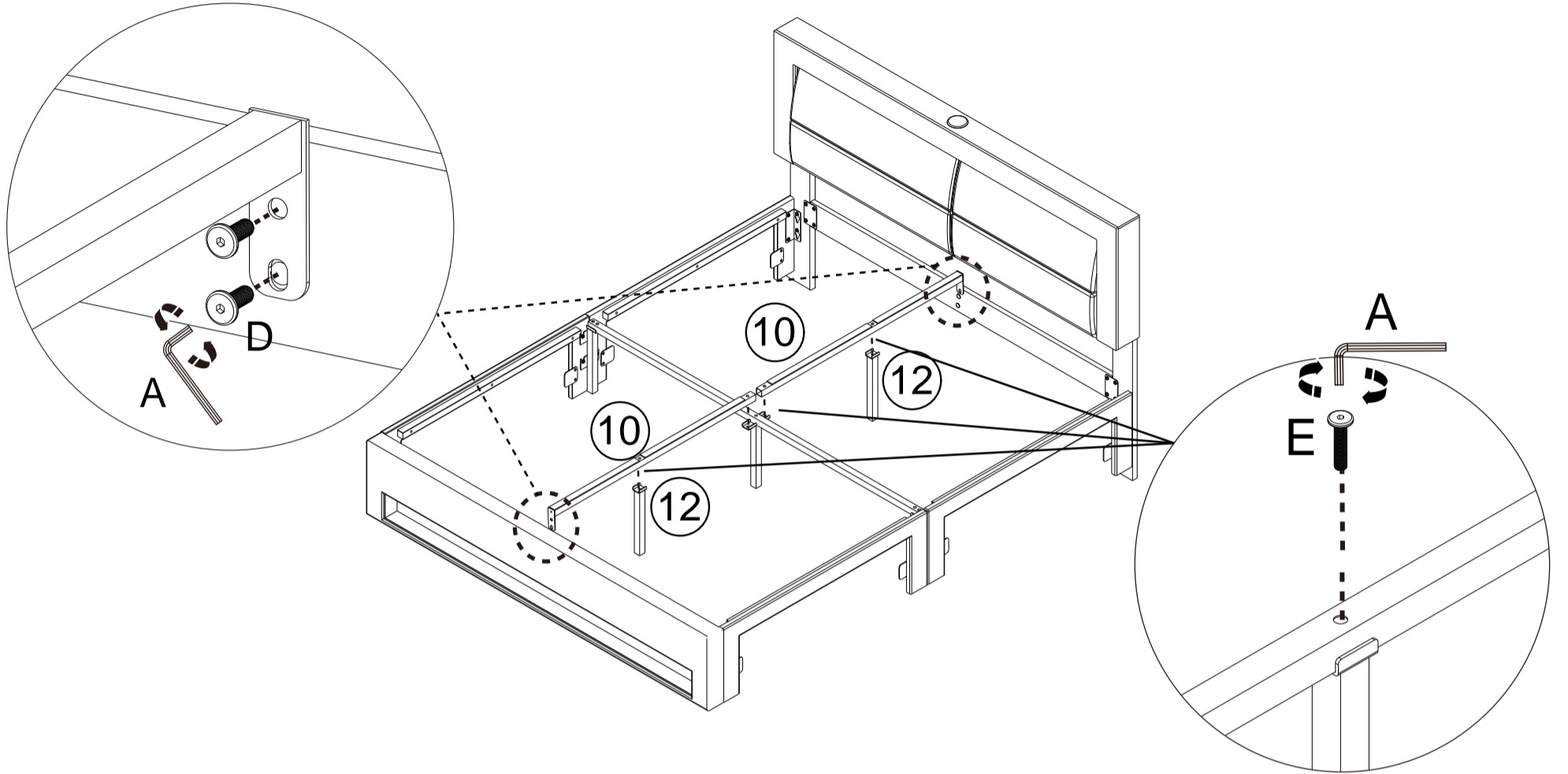
8

A x 1	E x 5
	
	M8 x 35mm

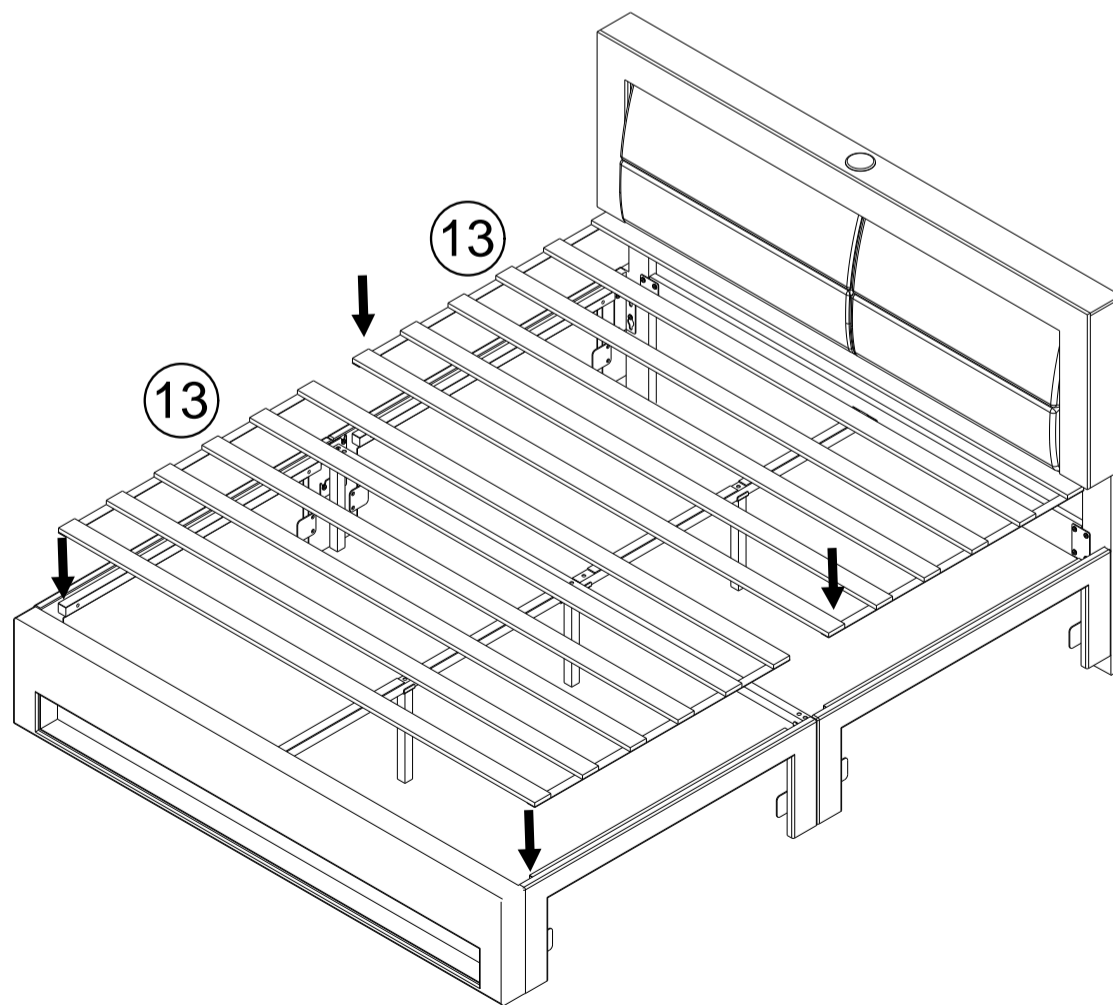


9

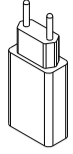
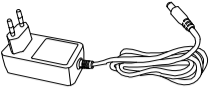
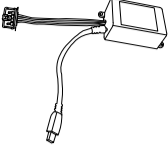
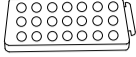
A x 1	D x 4	E x 4	
			
	M8 x 20mm	M8 x 35mm	

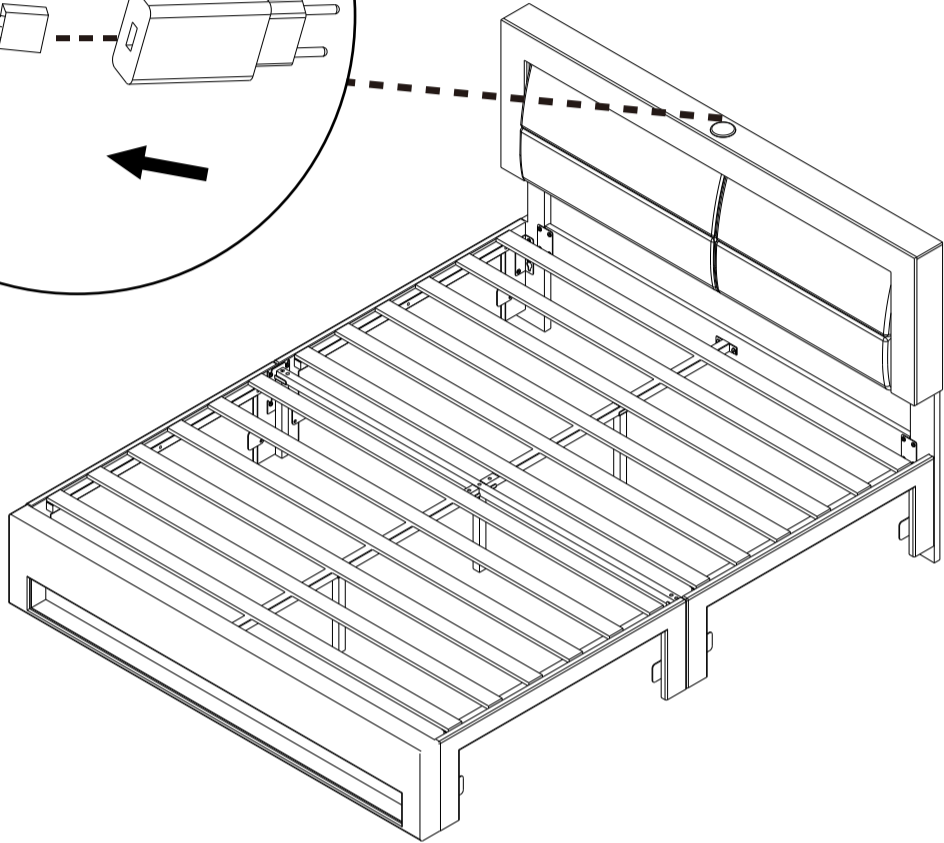
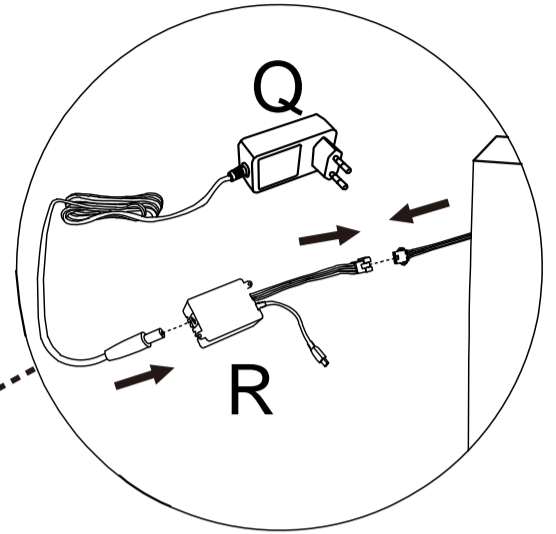
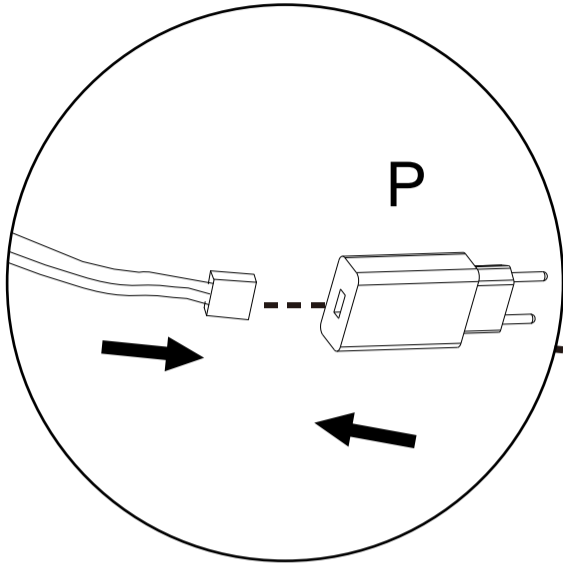


10

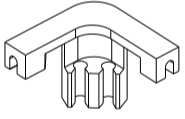


11

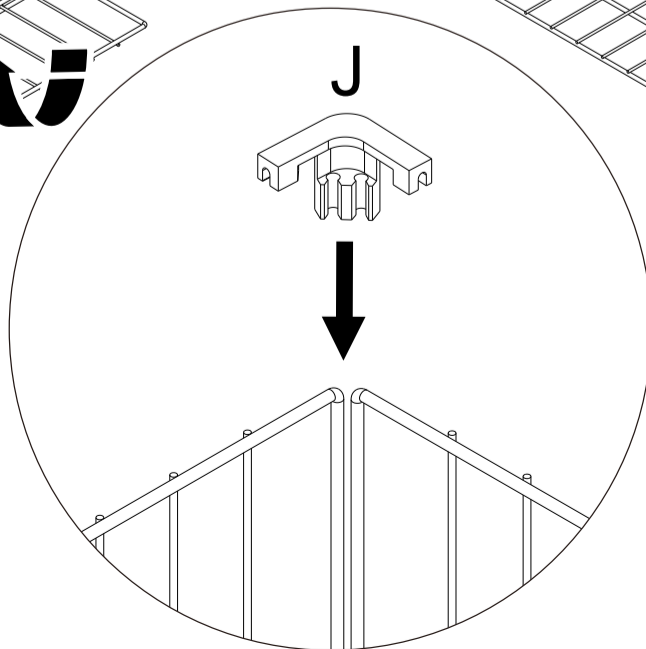
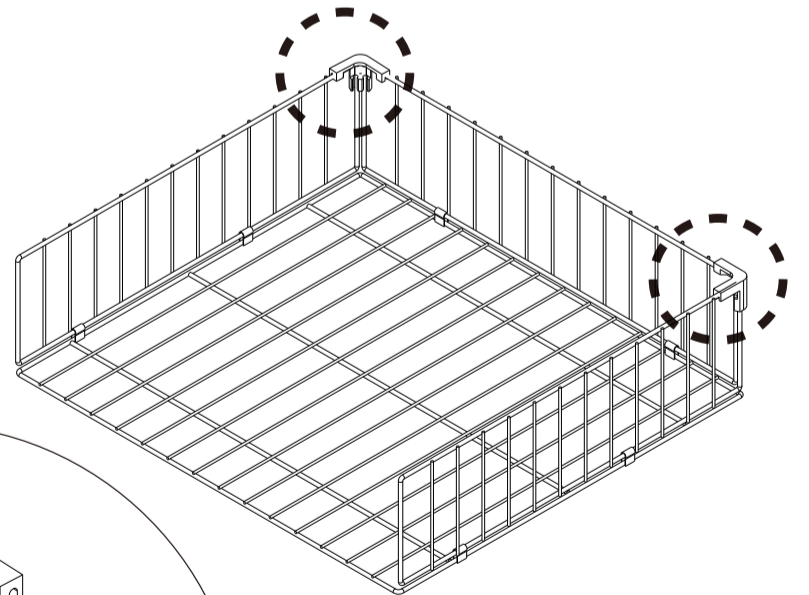
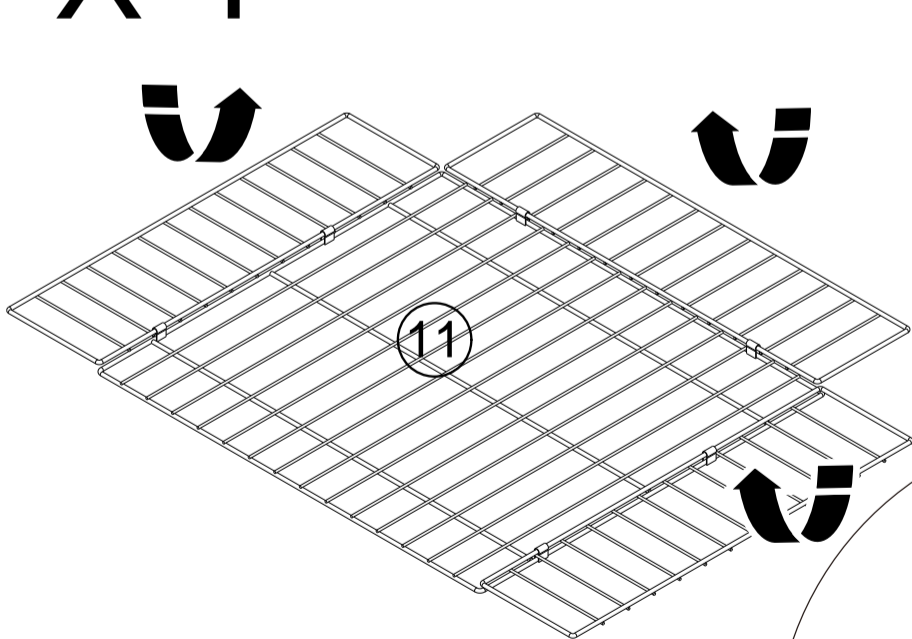
P x 1 	Q x 1 	R x 1 	S x 1 	
--	--	---	--	--



12

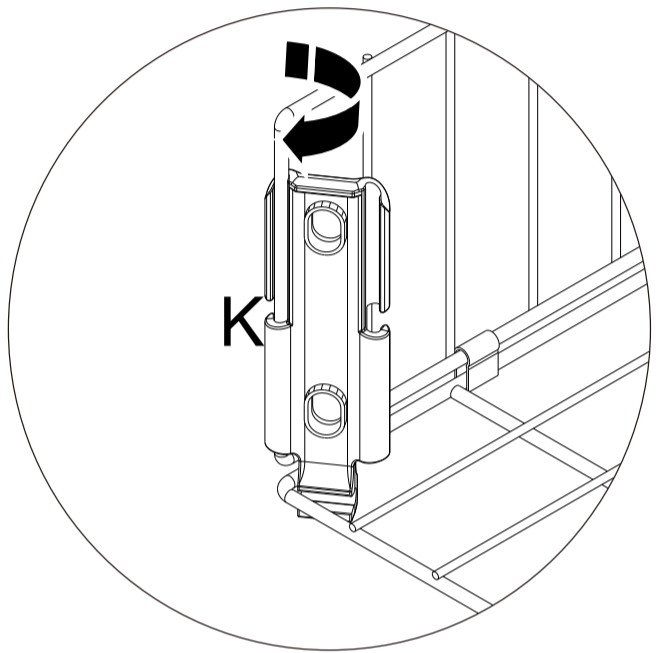
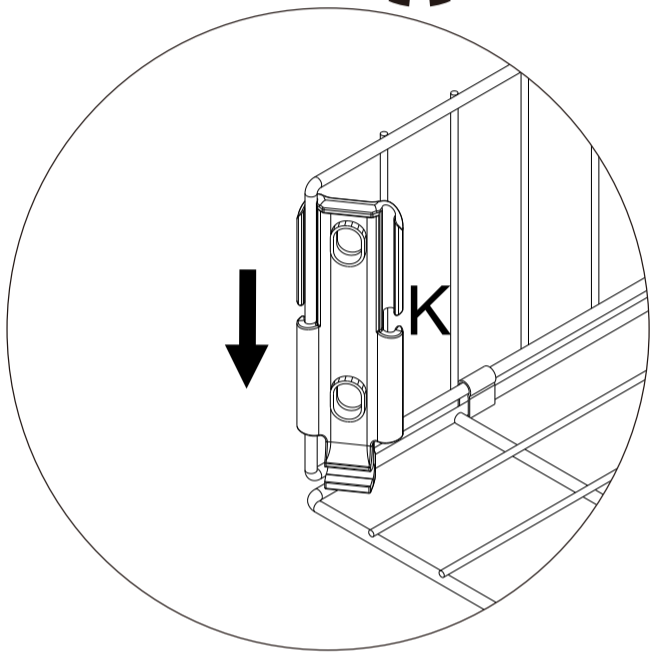
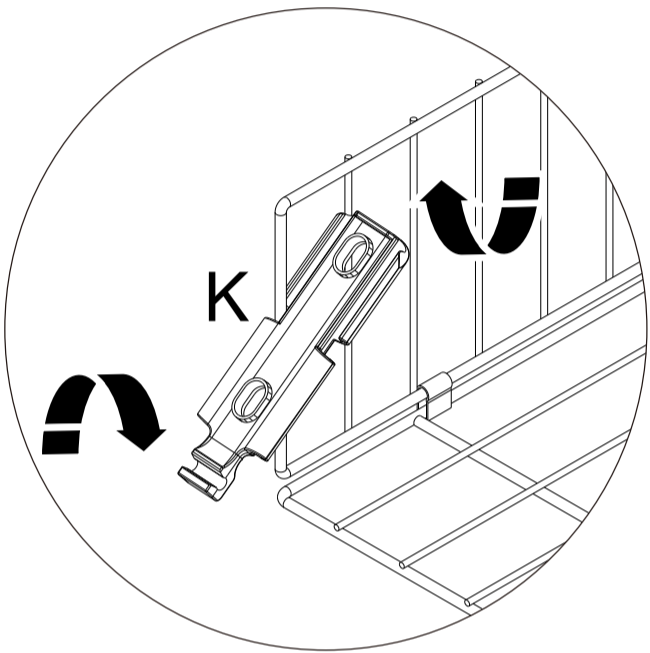
J x 8 	
--	--

X 4



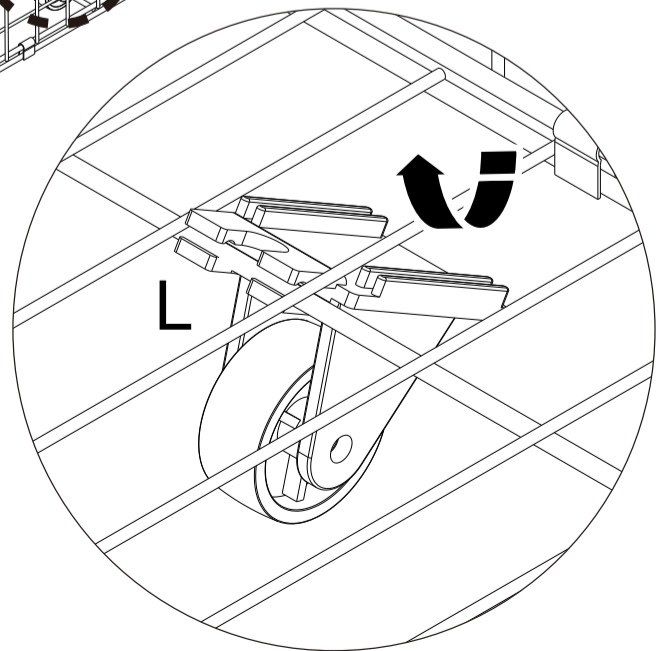
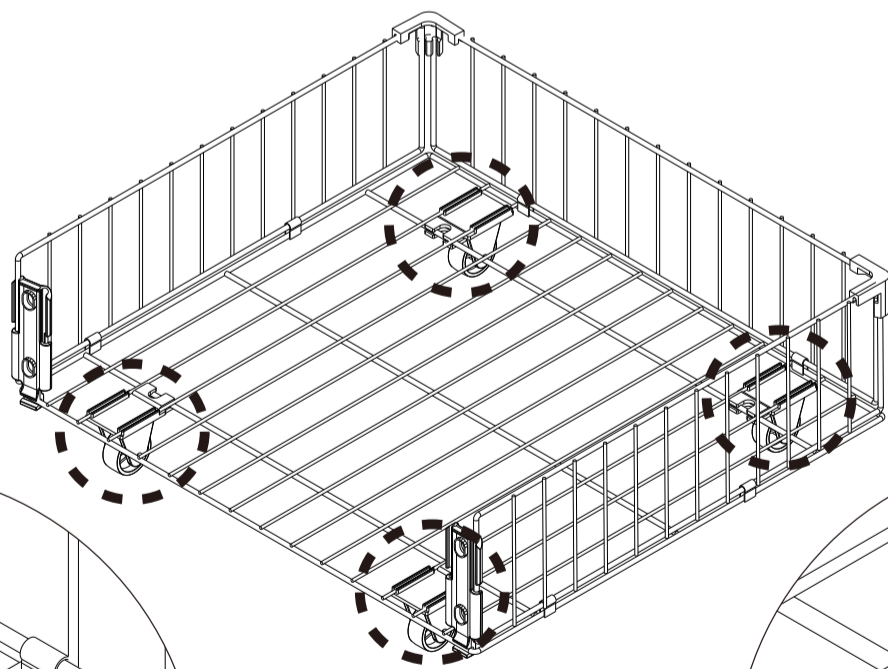
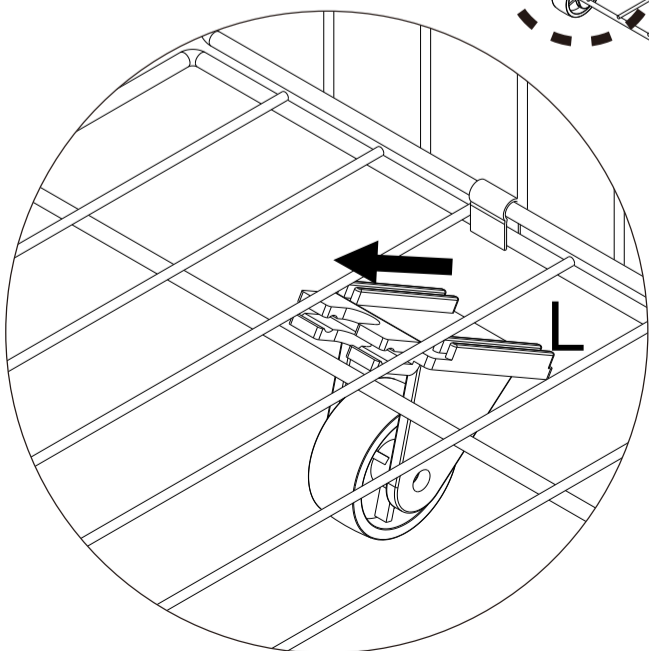
13

X 4






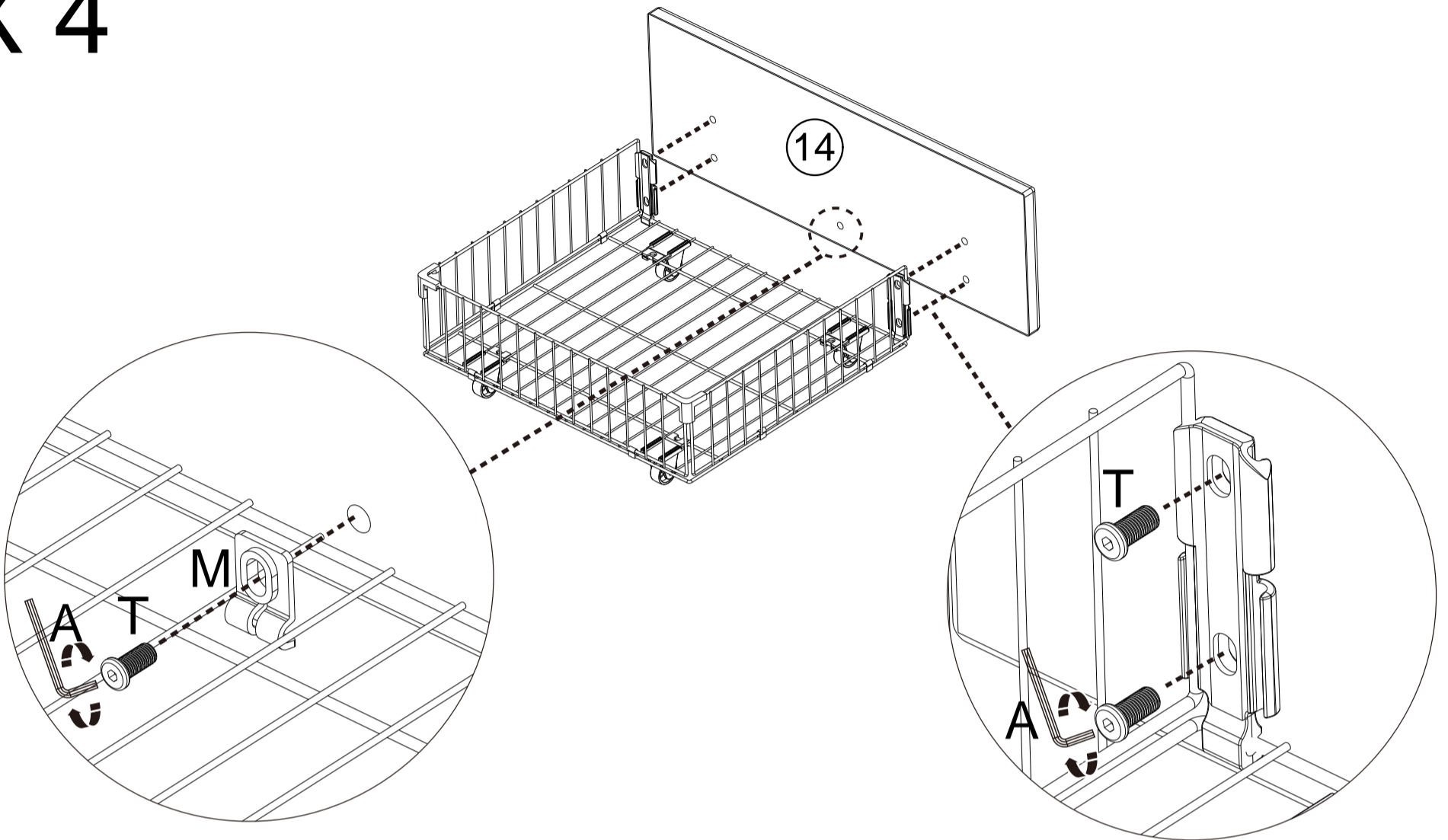
14

X 4

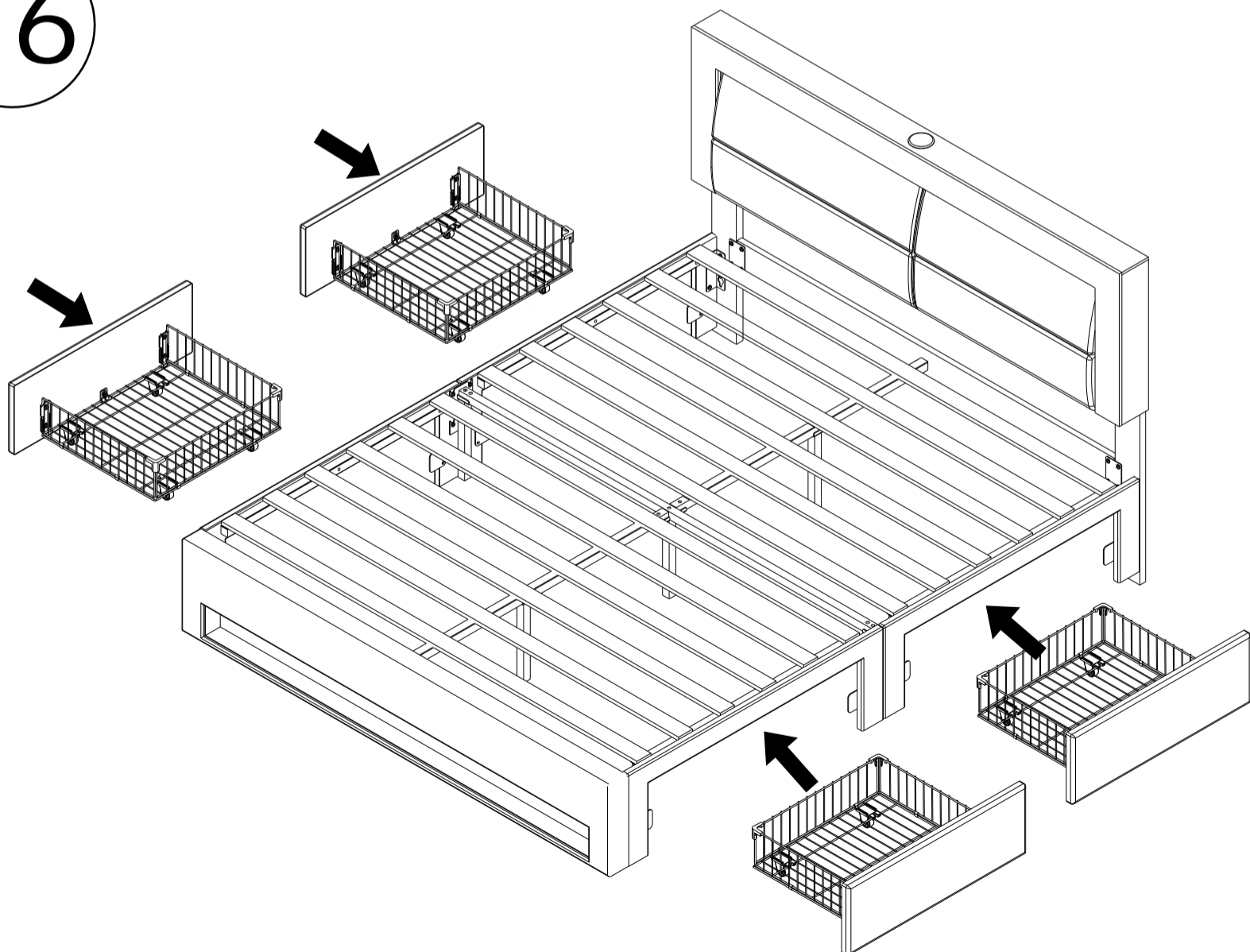


15
X 4

A x 1 	T x 20 M6 x 16mm 	M x 4 	
--	--	---	--



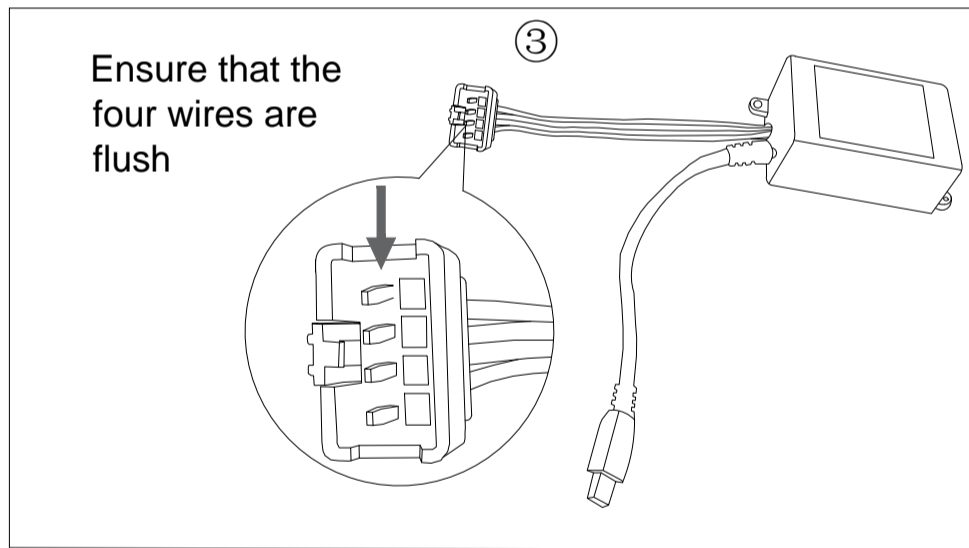
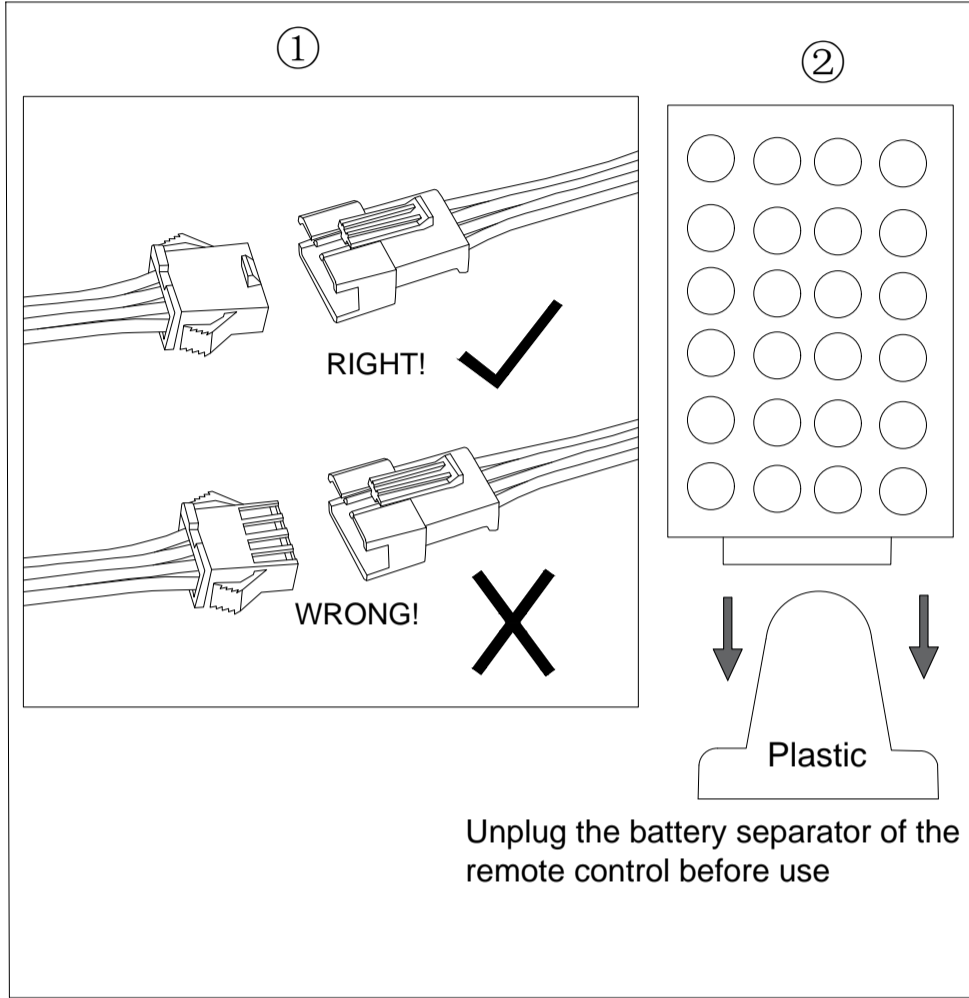
16



LED light

If you can't let the lights work successfully, please check the following:

1. Please check the direction of the connect, try it in the opposite direction, according to the following picture.
2. Please check the remote control, it need you to tear down the plastic septum before use it.
3. If one of the colors is not bright, please check whether the four wires in the plug are skewed, and move the main line to make the four wires flush.



1. Please check the direction of the arrow
2. Please pull the plastic block out of the remote control
3. Please check whether the four wires of the plug are neat

Operation Instructions of Controller

I .Specifications:

Working temperature: -20-60 °C

Supply voltage: DC12V

Product size:L62xW35xH23mm

Package size:L95xW68xH45mm

Net weight:42g

Gross weight:57g

Output:Three CMOS drain- open output

Connecting Mode: Common anode

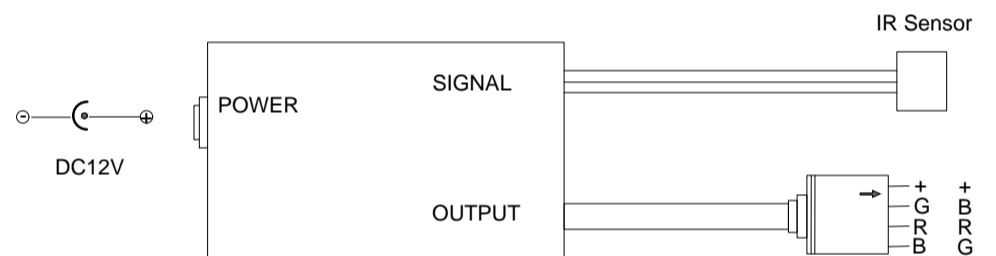
Max load current: 2 A each color

II .Control Method:

Adopt IR remoter to control the led controller, which has 24 buttons,the function of each button as the table below:

Brightness + (Speed up)	Brightness - (Speed down)	Off	On
Static red	Static green	Static blue	Static white
Static orange	Static pea green	Static dark blue	7 color jumpy change
Static dark yellow	Static cyan	Static brown	All fade out&fade in
Static yellow	Static light blue	Static pink	7 color fade change
Static straw yellow	Static sky blue	Static purple	3 base color jumpy

III.Panel specification and connecting drawing as follows:



IV .Warning:

1. Supply voltage of this product is DC12V never connect to DC24V or AC220V.
2. Never connect two wires directly in case of short circuit.
3. Lead wire should be connected correctly according to colors that connecting diagram offers.
4. Warranty of this product is one year, in this period we guarantee replacement or repairing with no charge, but exclude the artificial situation of damaged or overload working.

! WARNING

THIS PRODUCT CONTAINS A BUTTON BATTERY

If swallowed, a lithium button battery can cause severe or fatal injuries within 2 hours.

Keep batteries out of reach of children.

If you think batteries may have been swallowed or placed inside any part of the body, seek immediate medical attention.



Shenzhen BCTC Testing Co., Ltd.
 1-2/F., Building B, Pengzhou Industrial Park, No.158, Fuyuan 1st Road, Tangwei,
 Fuhai Subdistrict, Bao'an District, Shenzhen, Guangdong, China

Test Verification of Conformity

Verification Number: BCTC2304232392C

Applicant : **Shenzhen ABP Technology Co., Ltd**
 2nd Floor, 3&4 Building, Xinhaosheng Industrial Zone, Yonghe Road,
 Qiaotou Fuhai Street, Bao'an District, Shenzhen City, Guangdong,
 China.

Manufacturer : **Shenzhen ABP Technology Co., Ltd**
 2nd Floor, 3&4 Building, Xinhaosheng Industrial Zone, Yonghe Road,
 Qiaotou Fuhai Street, Bao'an District, Shenzhen City, Guangdong,
 China.

Product : **Power Supply**

Trademark : **N/A**

Model/Type Ref. : **PD0202zf,**
QC0202zf, PD0181zf, QC0181zf, PD0202GA, QC0202GA,
PD0181GA, QC0181GA, PD0202GC, QC0202GC, PD0181GC,
QC0181GC, PD0202GB, QC0202GB, PD0181GB, QC0181BA

Report Number : **BCTC2304232392E**

Test Standard : **EN 55032:2015/A11:2020, EN 55035: 2017/A11:2020**
EN 61000-3-2: 2019, EN 61000-3-3: 2013+A1:2019

On the basis of the referenced test report(s), sample(s) tested of the above product have been found to comply with the standards harmonized with Annex I of Council Directive 2014/30/EU at the time the tests were carried out. Other standards and Directives may be relevant to the product. This verification is part of the full test report(s) and should be read in conjunction with it <them>.

Once compliance with all product relevant mark directives are verified, including any relevant e.g. risk assessment and production control, the manufacturer may indicate compliance by signing a Declaration of Conformity themselves and applying the mark to products identical to the tested sample(s).



Tel: 400-788-9558 / 0755-32936262

www.chnbctc.com

This Verification is for the exclusive use of BCTC's client and is provided pursuant to agreement between BCTC and its client. BCTC's responsibility and liability are limited to the terms and conditions of the agreement. The observation and test results referenced in this Verification are relevant only to the sample tested. This Verification by itself does not imply that the material, product, or service is or has ever been under a BCTC certification program.



Certificate of Conformity

Certificate Number: DL-20240403029C

Applicant: Shenzhen Blue The Light Technology co., Ltd.
Floor 4, Building 2, Hongxing Industrial Park, Yuanling Village, Shiyan Town,
Baoan District, Shenzhen

Manufacturer: Shenzhen Blue The Light Technology co., Ltd.
Floor 4, Building 2, Hongxing Industrial Park, Yuanling Village, Shiyan Town,
Baoan District, Shenzhen

Product: 24 key IR infrared controller

Model No.: LG-24-IR-12V

Test Standard: EN 55032:2015+A1:2020
EN IEC 61000-3-2:2019+A1:2021, EN 61000-3-3:2013+A1:2019+A2:2021
EN 55035:2017+A11:2020
EN 61000-4-2:2009, EN IEC 61000-4-3:2020, EN 61000-4-4:2012,
EN 61000-4-5:2014+A1:2017, EN IEC 61000-4-6:2022,
EN 61000-4-8:2010, EN IEC 61000-4-11:2020

The EUT described above has been tested by us with the listed standards and found in compliance with the council EMC directive 2014/30/EU. It is possible to use CE marking to demonstrate the compliance with this EMC Directive. It is only valid in connection with the test report number: DL-20240403029E.



This certificate of conformity is based on a single evaluation of the submitted sample(s) of the above mentioned product. It does not imply an assessment of the whole product and relevant. Without the written approval, It is not permitted to use the test lab's logo.

Shenzhen DL Testing Technology Co., Ltd.
101-201, Comprehensive Building, Tongzhou Electronics Longgang Factory Area, No.1 Baolong
Fifth Road, Baolong Community, Baolong Street, Longgang District, Shenzhen, China
Web: www.dl-cert.com E-mail: Service@dl-cert.com Tel: 400-688-3552





Certificate of Conformity

Certificate Number: DL-20230412023C

Applicant: Shenzhen Blue The Light Technology co., Ltd.
Floor 4, Building 2, Hongxing Industrial Park, Yuanling Village, Shiyan Town,
Baoan District, Shenzhen, China

Manufacturer: Shenzhen Blue The Light Technology co., Ltd.
Floor 4, Building 2, Hongxing Industrial Park, Yuanling Village, Shiyan Town,
Baoan District, Shenzhen, China

Product: LED Strip

Model No.: LG-5050-60L
LG-5050-30L, LG-5050-72L, LG-5050-84L, LG-5050-96L, LG-5050-120L,
LG-2835-60L, LG-2835-90L, LG-2835-96L, LG-2835-108L, LG-2835-120L,
LG-2835-140L, LG-2835-160L, LG-2835-240L

Test Standard: EN IEC 55015:2019+A11:2020
EN IEC 61000-3-2:2019+A1:2021, EN 61000-3-3:2013+A1:2019+A2:2021
EN 61547:2009
EN 61000-4-2:2009, EN IEC 61000-4-3:2020, EN 61000-4-4:2012,
EN 61000-4-5:2014+A1:2017, EN IEC 61000-4-6:2022,
EN 61000-4-8:2010, EN IEC 61000-4-11:2020

The EUT described above has been tested by us with the listed standards and found in compliance with the council EMC directive 2014/30/EU. It is possible to use CE marking to demonstrate the compliance with this EMC Directive. It is only valid in connection with the test report number: DL-20230412023E.



This certificate of conformity is based on a single evaluation of the submitted sample(s) of the above mentioned product. It does not imply an assessment of the whole product and relevant. Without the written approval, It is not permitted to use the test lab's logo.

Shenzhen DL Testing Technology Co., Ltd.
101-201, Building C, Shuanghuan, No.8, Baoqing Road, Baolong Industrial Zone, Baolong Street,
Longgang District, Shenzhen, Guangdong, China

Web: www.dl-cert.com E-mail: Service@dl-cert.com Tel: 400-688-3552



C E R T I F I C A T E



of Conformity Low Voltage Directive 2014/35/EU

Registration No.: AN 50489215 0001

Report No.: 60387434 001

Holder: SHENZHEN BOYAXUAN TECHNOLOGY
DEVELOPMENT CO., LTD.
3/F, 1st Building,
Xing Wei (Feng Huang)
Third Industrial Area, Fuyong Street,
Shenzhen
518100 Guangdong
P.R. China

Product: Power Supply
(AC/DC ADAPTER)


Identification: Type Designation: BYX2-XXXYYYYE, BYX3-XXXYYYYZ (BOYAXUAN)
For detail of the variables XXX, YYYY and Z refer to
TÜV Rheinland license S 50489196 pages 0001-0002.
Serial No.: n.a.
Remark: Issued in conjunction with above TÜV Rheinland
license.

This certificate of conformity is based on an evaluation of a sample of the above mentioned product. Technical Report and documentation are at the Licence Holder's disposal. This is to certify that the tested sample is in conformity with Annex I of Council Directive 2014/35/EU, referred to as the Low Voltage Directive. This certificate does not imply assessment of the series-production of the product and does not permit the use of a TÜV Rheinland mark of conformity. The holder of the certificate is authorized to use this certificate in connection with the EC declaration of conformity according to Annex IV of the Directive.

Date 25.01.2021



Certification Body


Dipl.-Ing. Univ. S. O. Steinko

TÜV Rheinland LGA Products GmbH - Tillystraße 2 - 90431 Nürnberg

CE The CE marking may be used if all relevant and effective EC Directives are complied with. **CE**