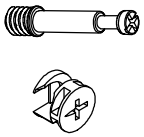




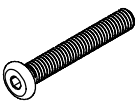
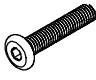

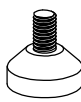
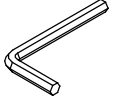

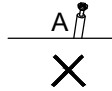
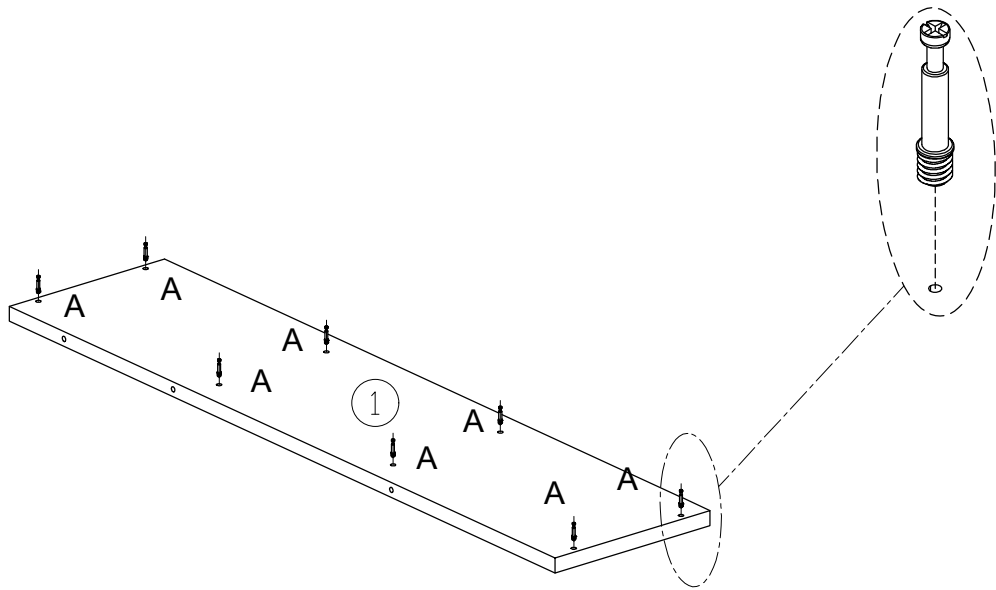



A  8PCS	B  M4*35 16PCS	C  M4*12 7PCS	D  3PCS
E  7PCS	F  M6*35 8PCS	G  M6*28 8PCS	H  M5*40 16PCS
I  6PCS	 1PCS		

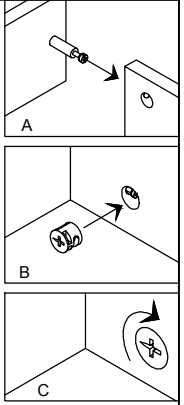
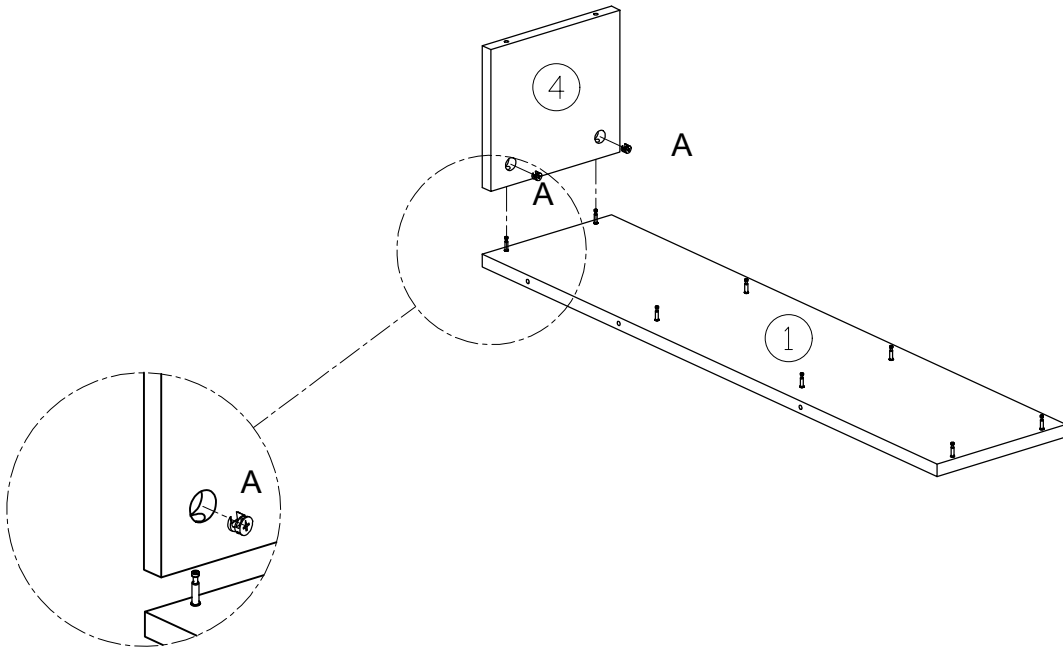



1		
----------	---	---



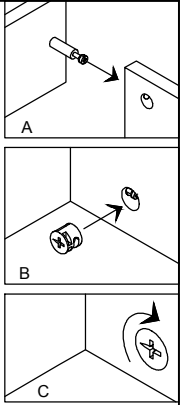
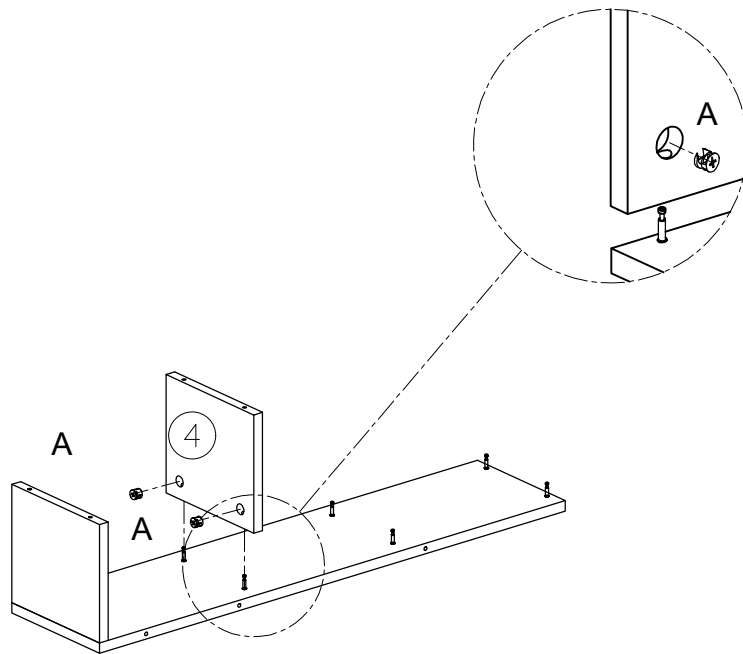
A		8
---	---	---


2



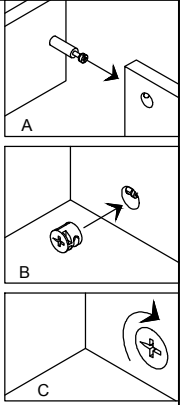
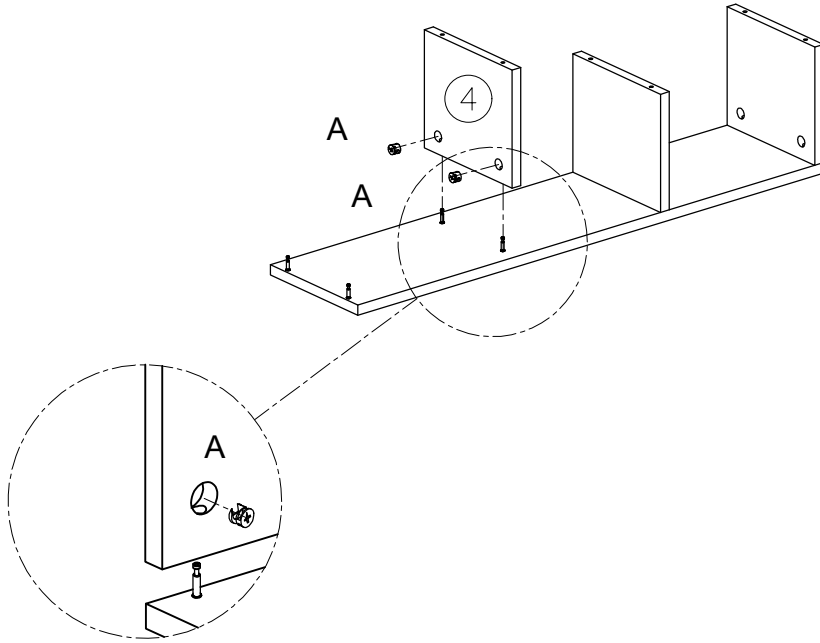
A		2
---	---	---


3



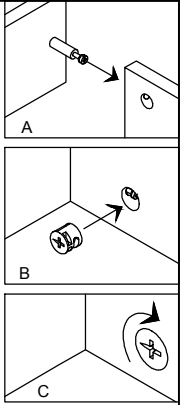
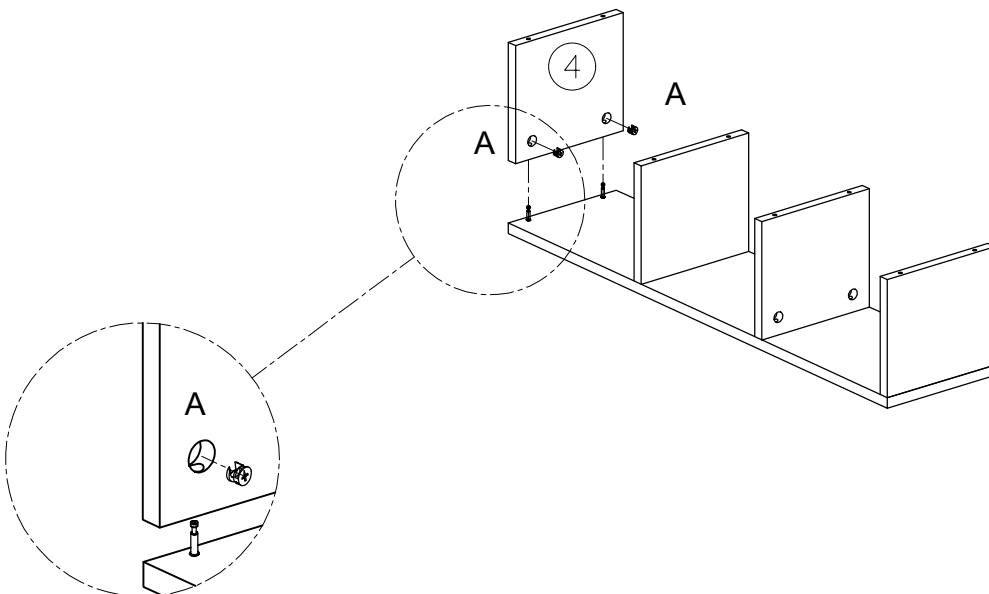
A		2
---	---	---


4



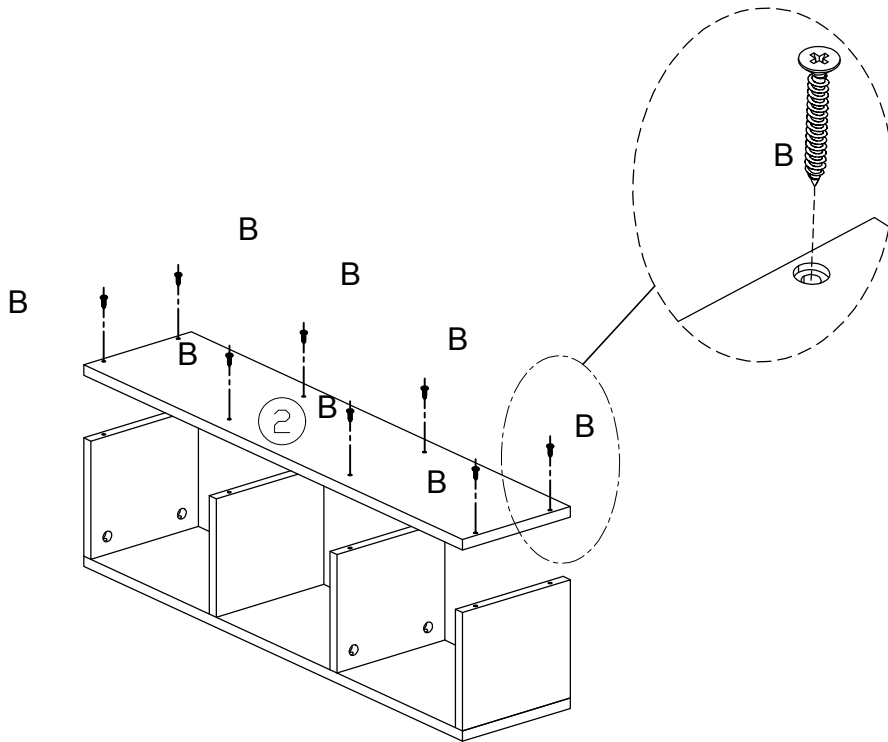
A		2
---	---	---

5



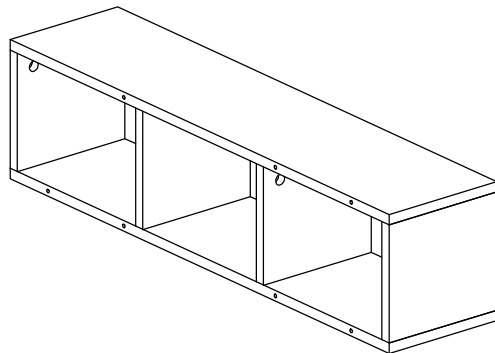
A		2
---	---	---

6

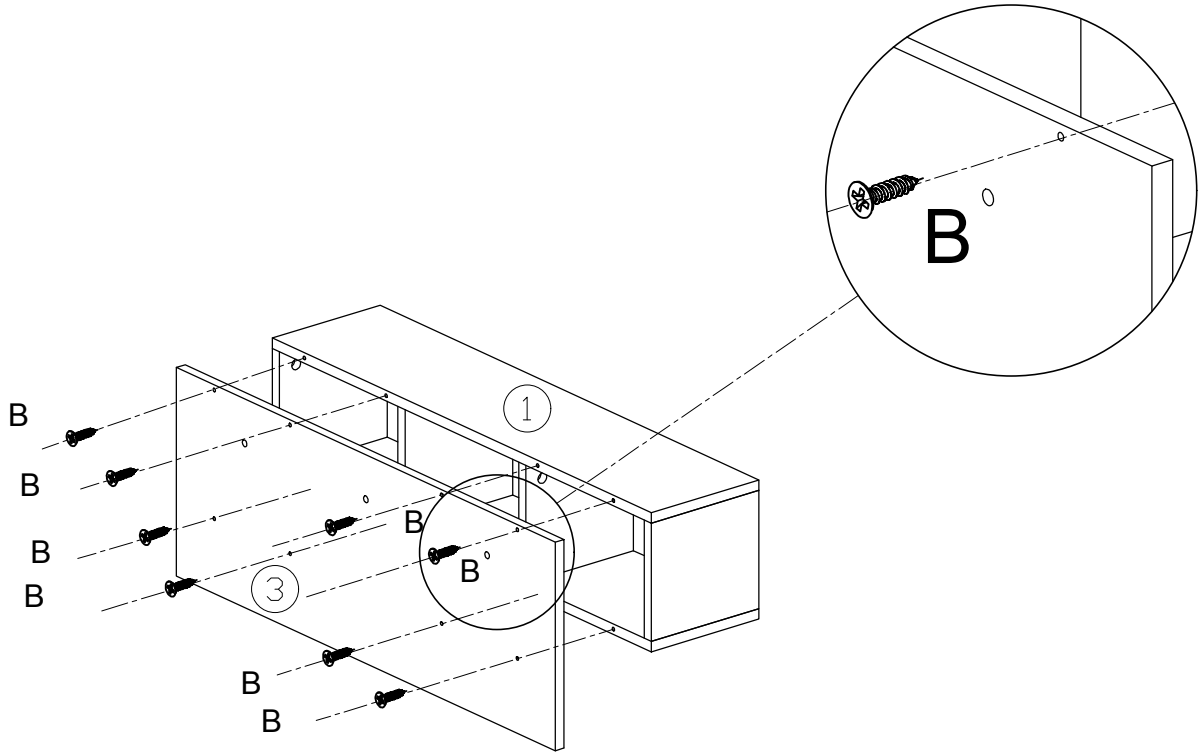


B		8
---	---	---

7

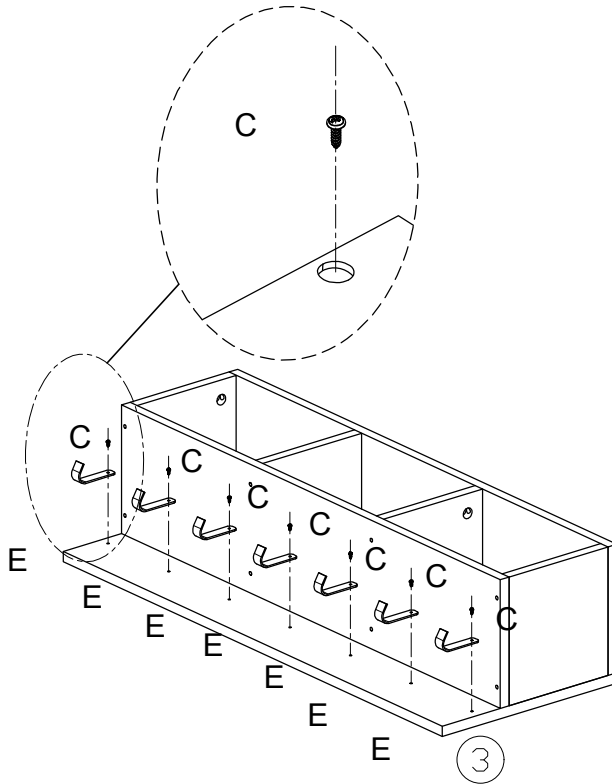




8



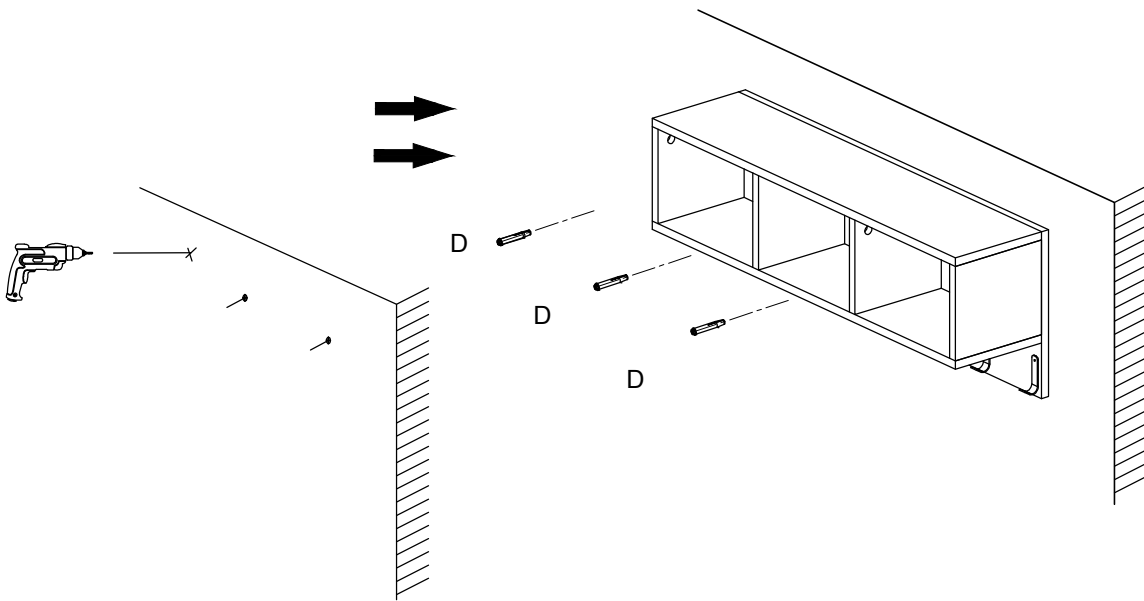
B		8
---	---	---


9



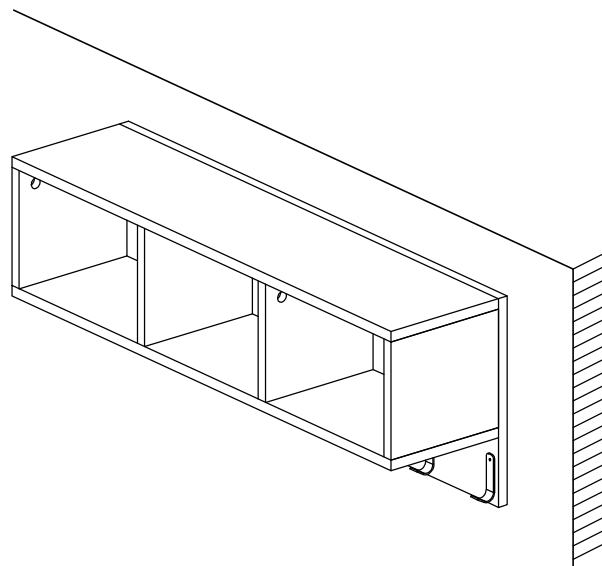
E		7
C		7

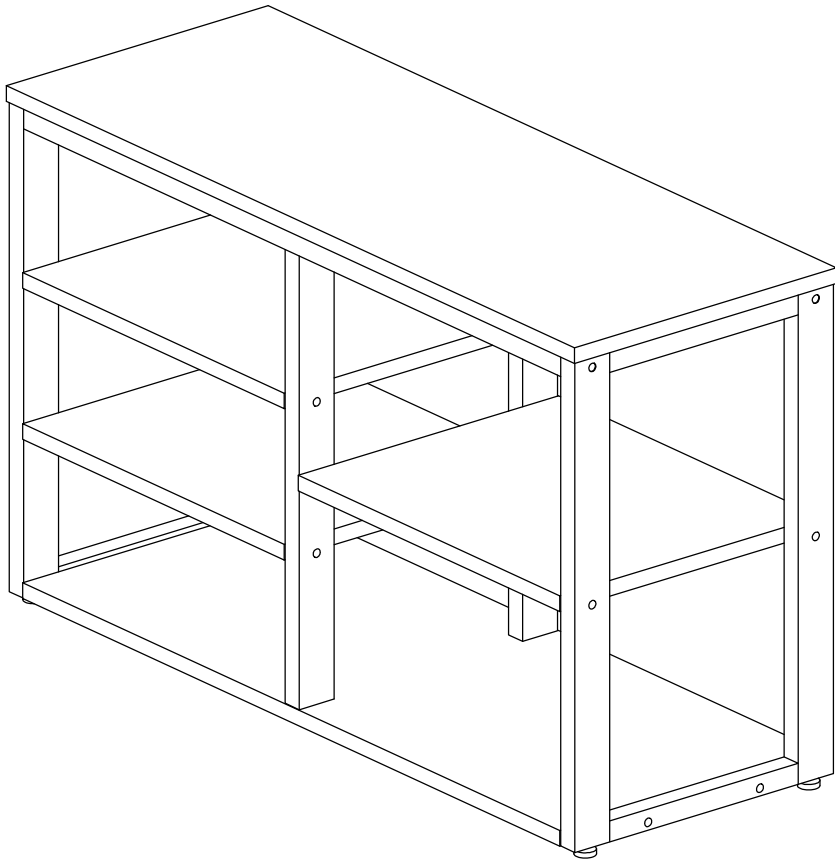
10

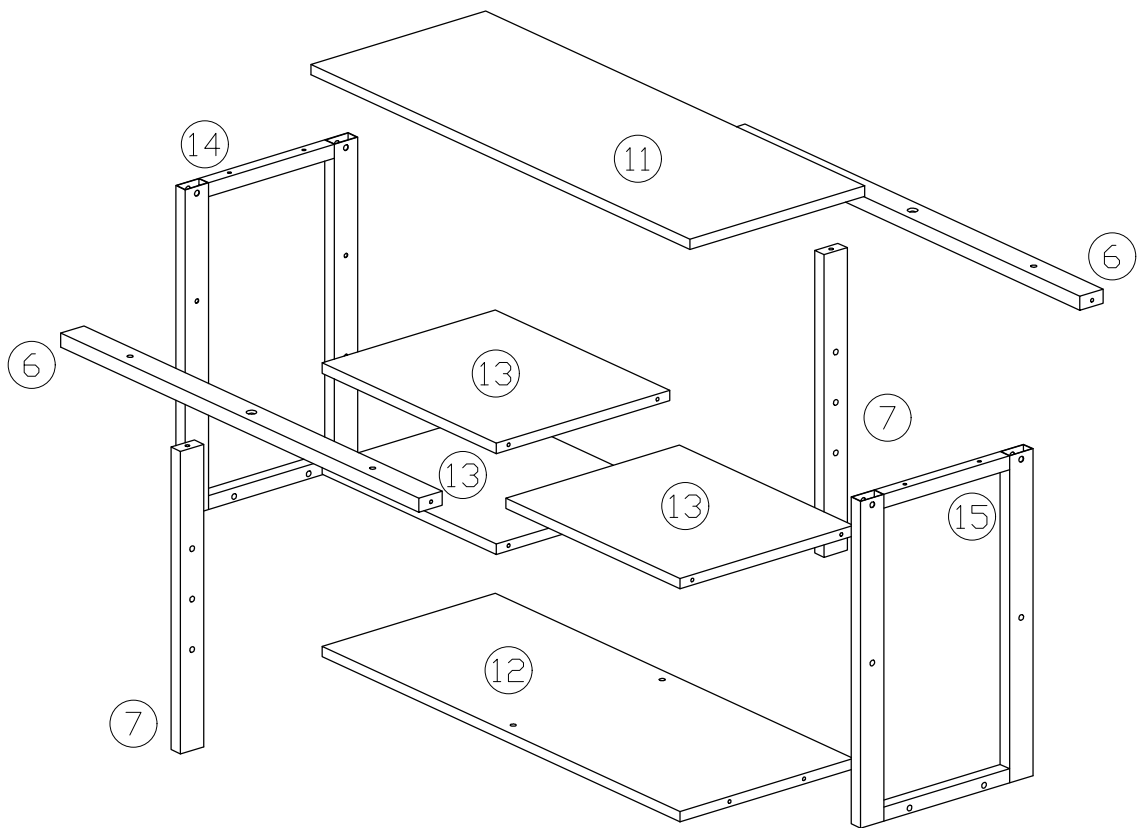


D		3
---	---	---

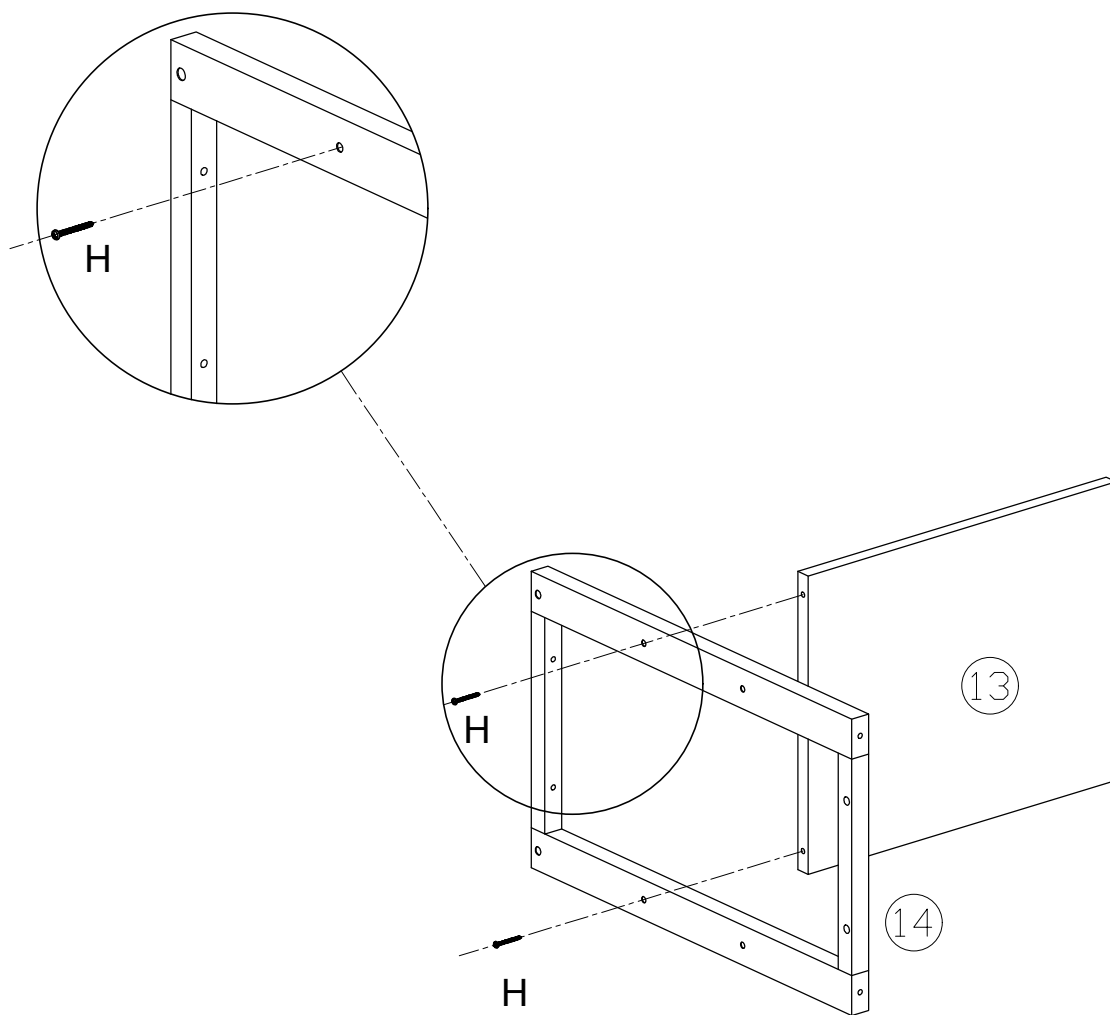
11



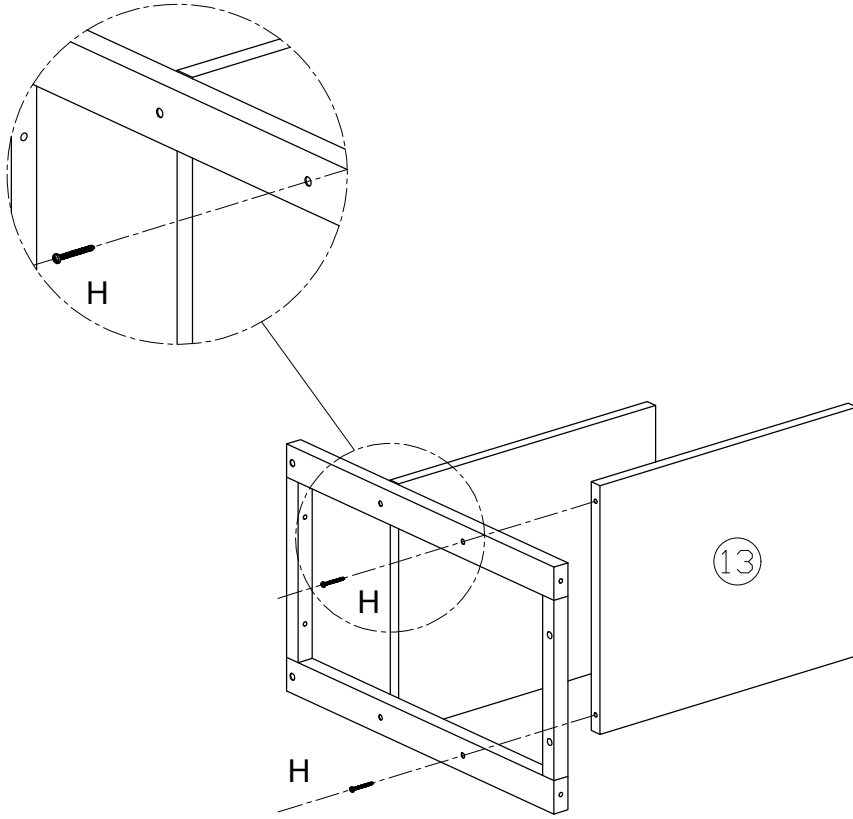




1

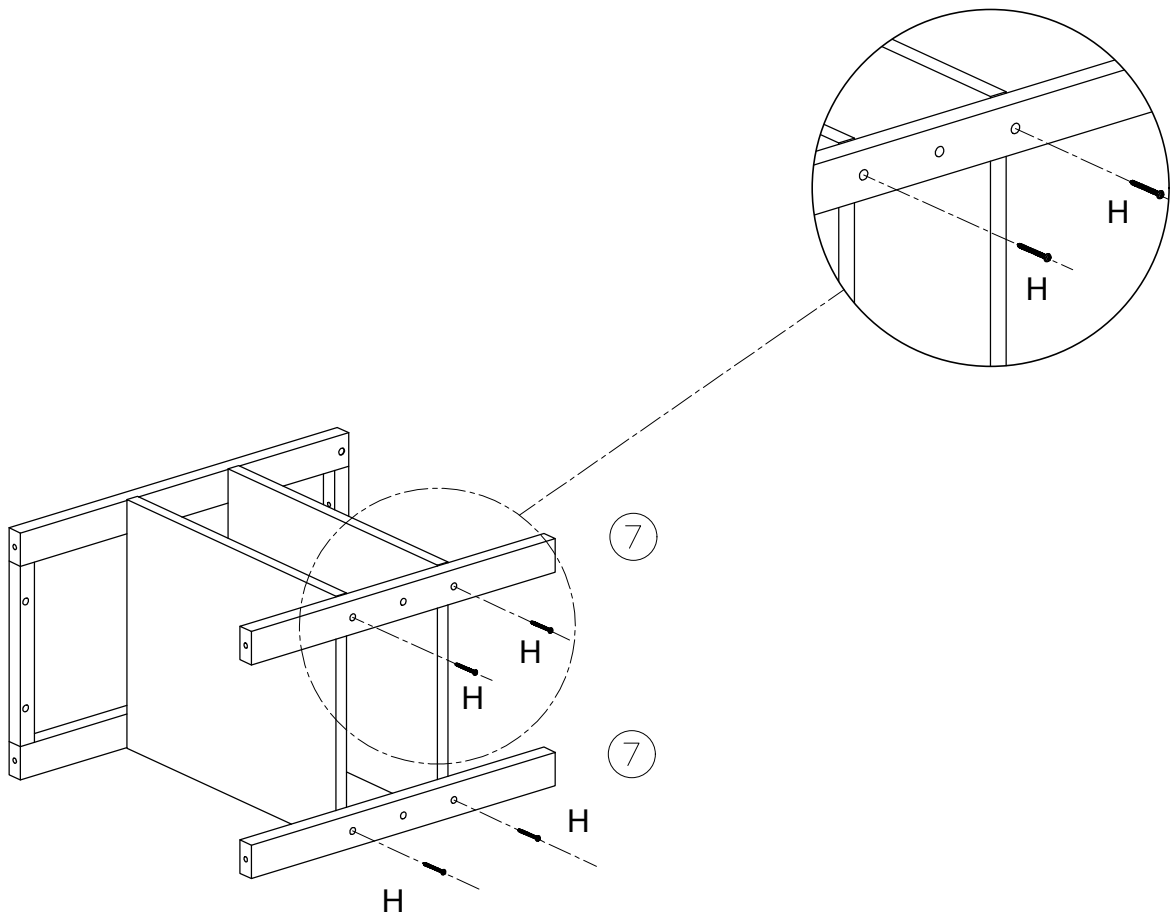


2



H	!	2
---	---	---

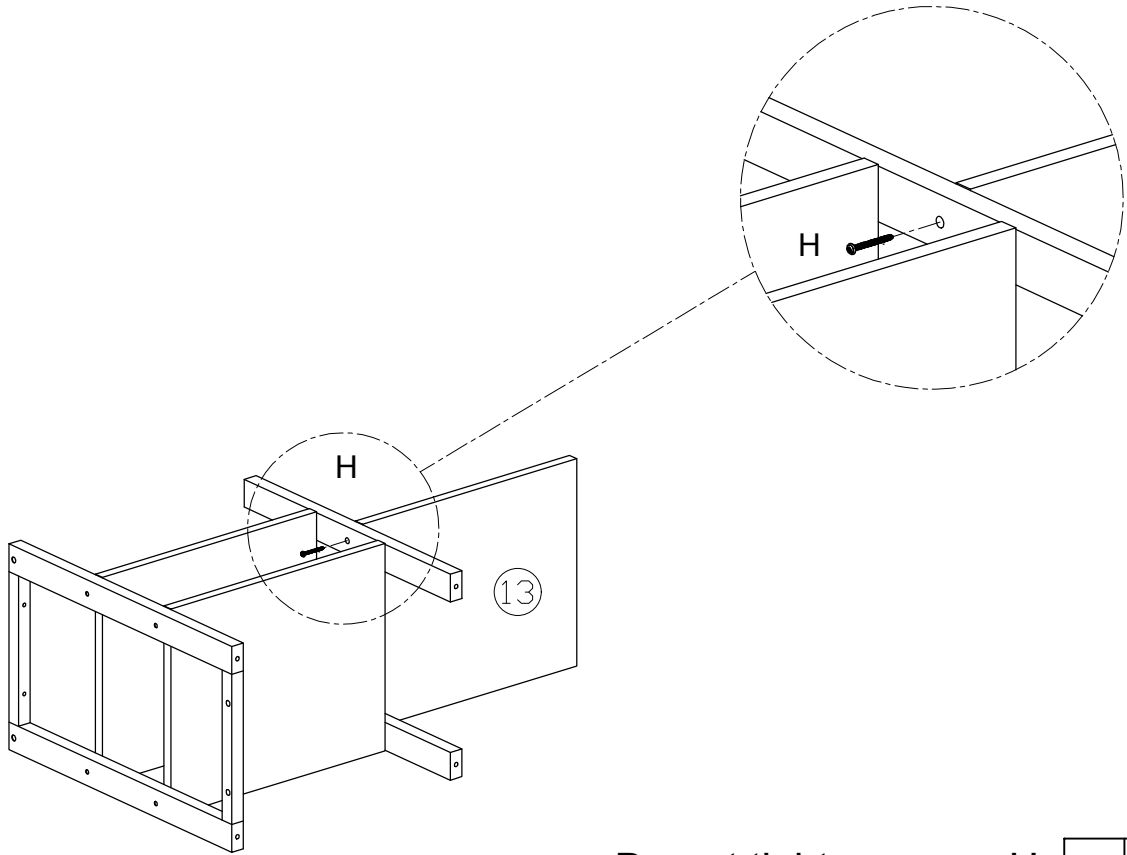
3



Do not tighten screw H

H	!	4
---	---	---

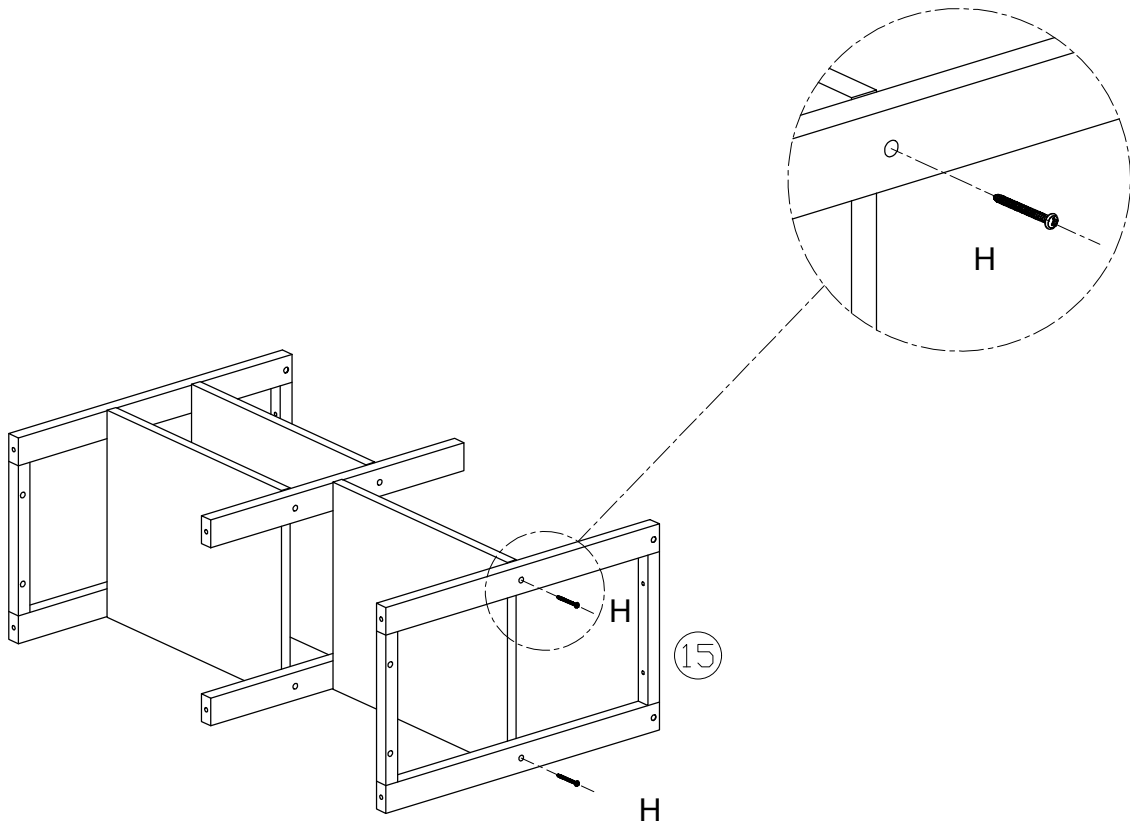
4



Do not tighten screw H

H	↑	2
---	---	---

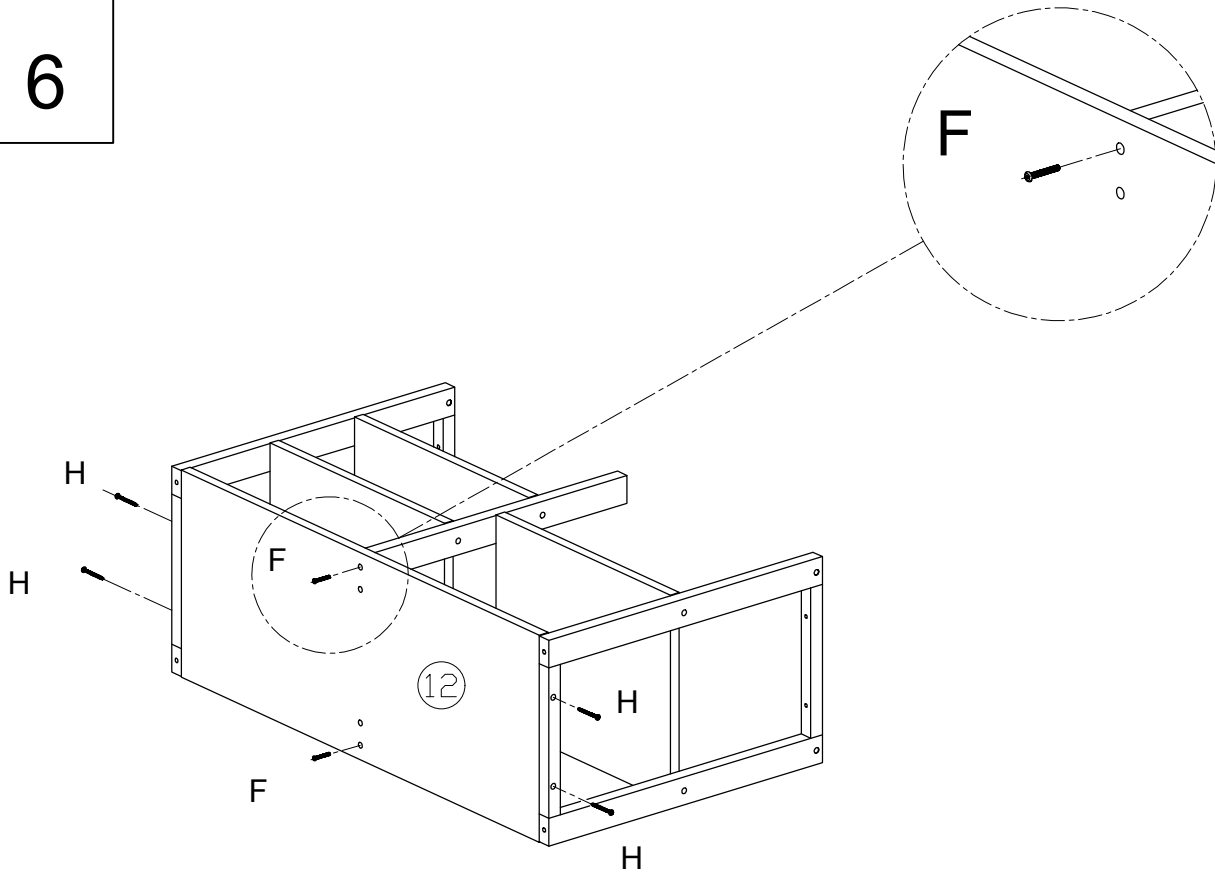
5





Do not tighten screw H

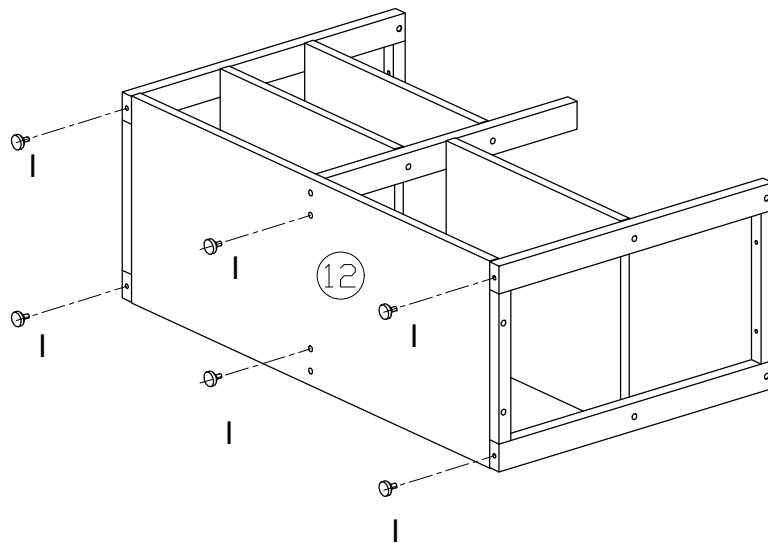
H	↑	2
---	---	---

6



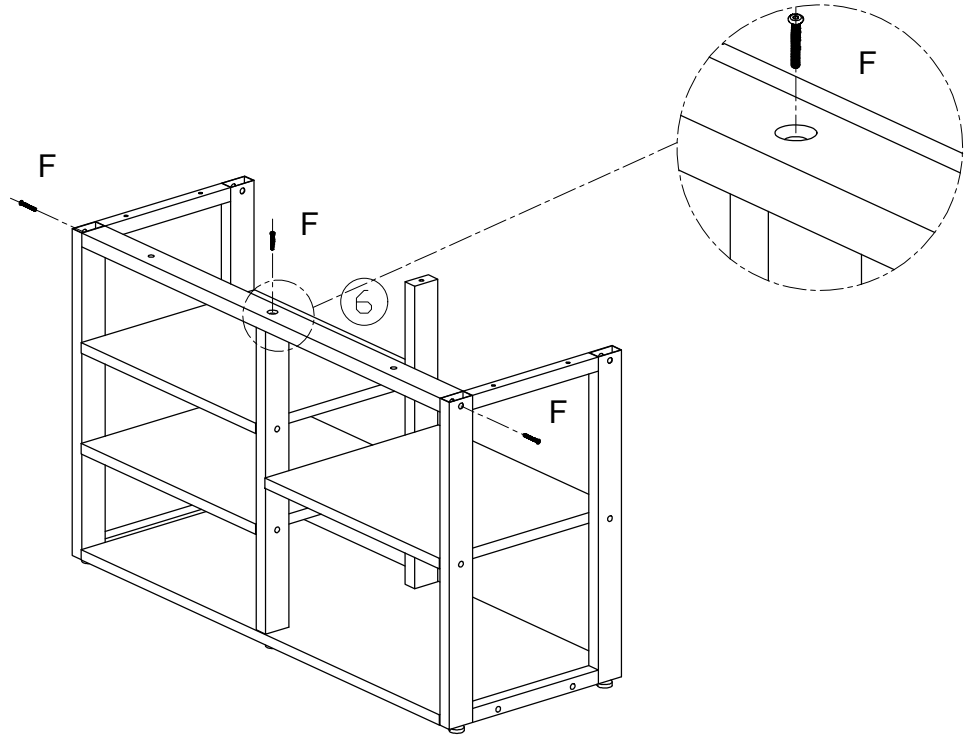
F		2
H		4

7

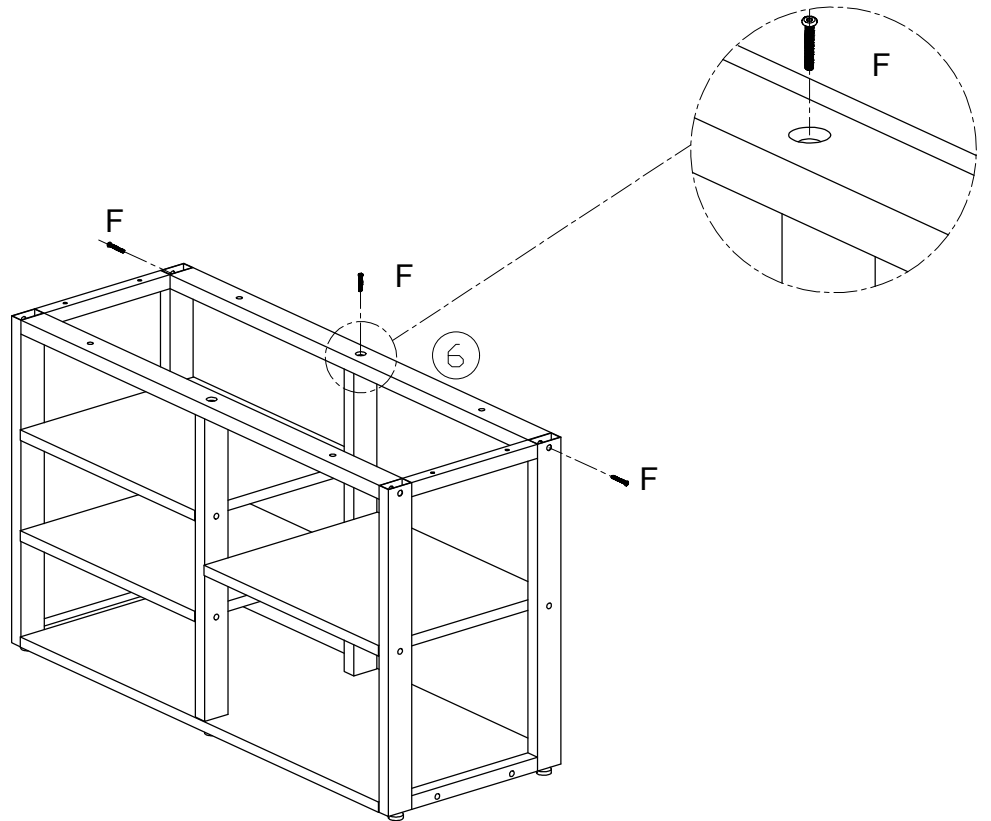


I		6
---	---	---

8



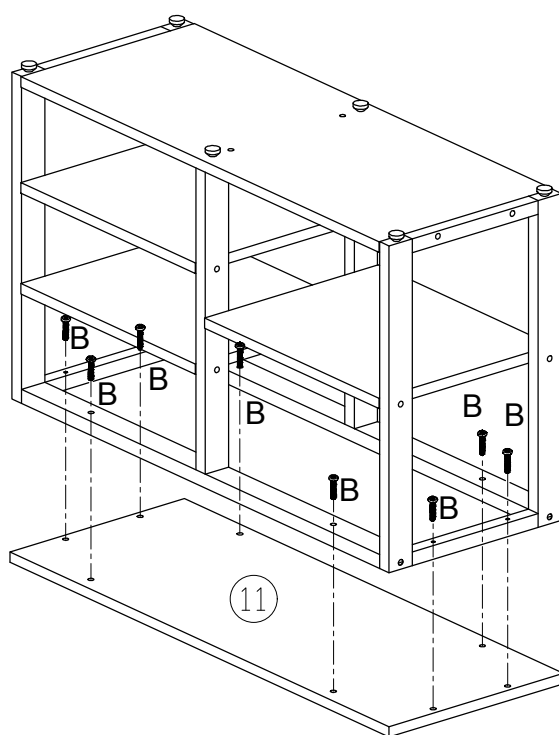
9



Tighten all screws

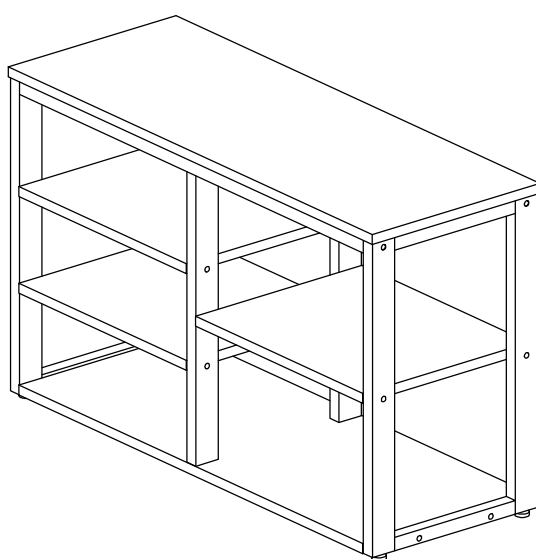


10



G	I	8
---	---	---

11



12

