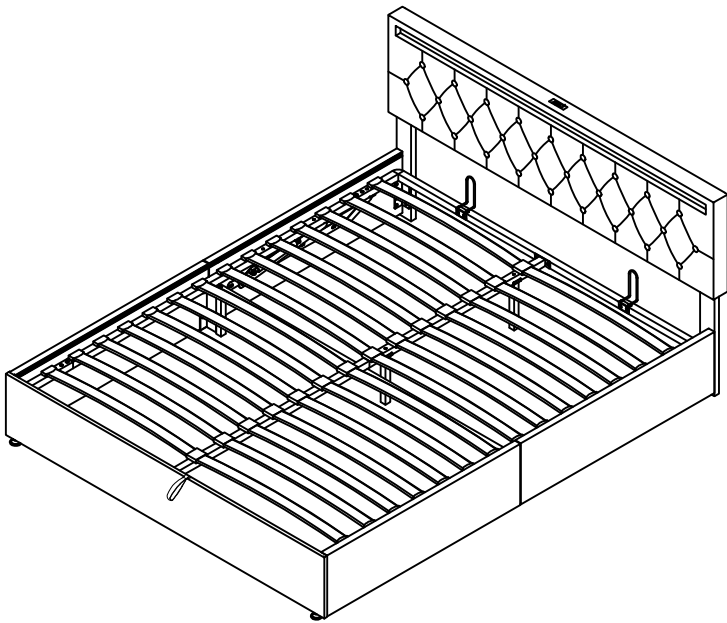


MONTAGEANLEITUNG

Artikelnummer: **WF531622 WF531623**
WF531624 WF531625



Please check that you have all the parts listed before you start assembling, if you do find that something is missing, do not continue assembly, please contact us immediately.

NOTE: Please do not completely tighten all the hardware until the entire assembly is complete!

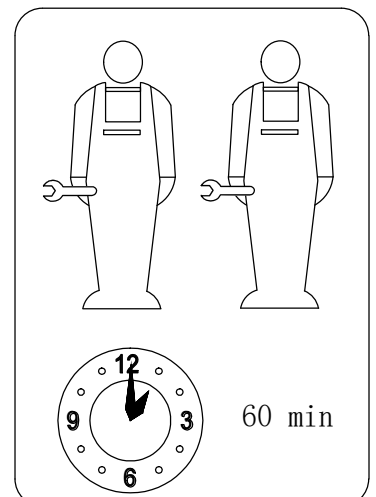
Bitte überprüfen Sie, ob alle Teile mitgeliefert sind, bevor Sie mit der Montage beginnen. Wenn Sie festlegen, dass etwas fehlt, setzen Sie die Montage nicht fort. Bitte kontaktieren Sie uns sofort.

Achtung: Bitte ziehen Sie nicht alle Schrauben fest, bevor die Montage abgeschlossen ist!

- | | |
|--------------------------------------|--|
| (D) Gebrauchsanweisung | (GB) Instructions for use |
| (NL) Gebruiksrichtlijnen | (FR) Instructions d'utilisation |
| (IT) Istruzioni per l'uso | (PL) Instrukcja obsługi |
| (CZ) Pokyny k použití | (ES) Instrucciones de empleo |
| (HU) Használati útmutató | (RO) Instrucțiuni de folosire |
| (PT) Instruções de utilização | (RU) Инструкции по монтажу |
| (SK) Pokyny k použitiu | (TR) Kullanım talimatları |

This set will be shipped by 2 boxes and they may arrive on different days. If both packages arrived but parts missing, please contact customer service.

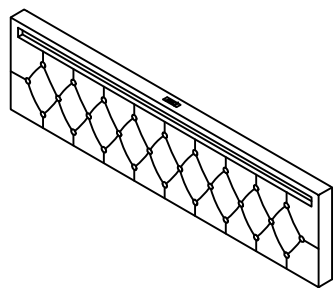
Dieses Set ist in 2 Boxen enthalten. Wenn Sie keine vollen 2 Boxen erhalten, wenden Sie sich bitte an unseren Kundenservice.



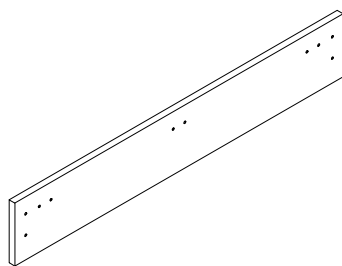
Part list

WF531622

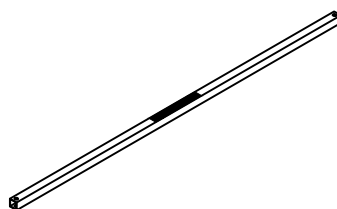
WF531624



A*1PC



B*1PC



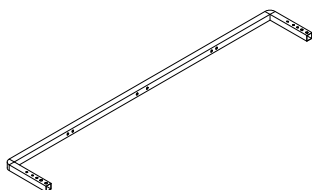
E*1PC



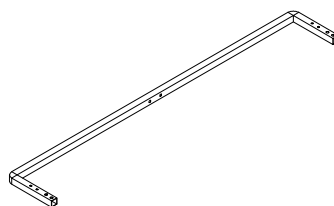
G1*1PC



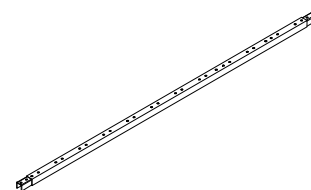
G2*1PC



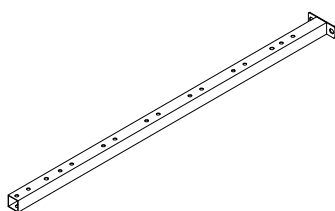
J1*1PC



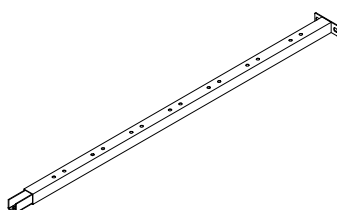
J2*1PC



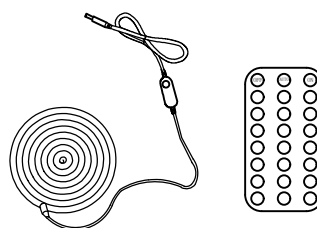
K*2PCS



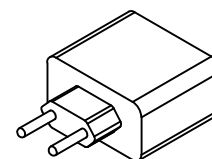
O1*1PC



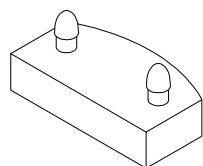
O2*1PC



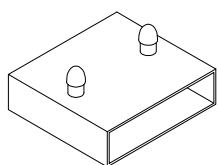
F*1PC



M*1PC



W1*28PCS

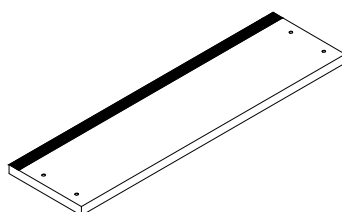


W2*14PCS

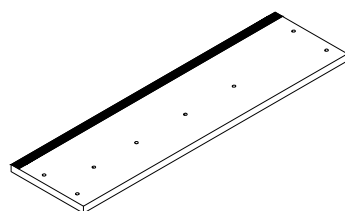
Part list

WF531623

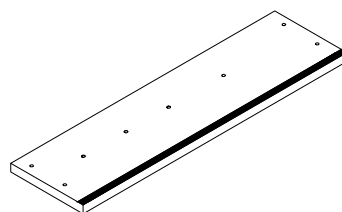
WF531625



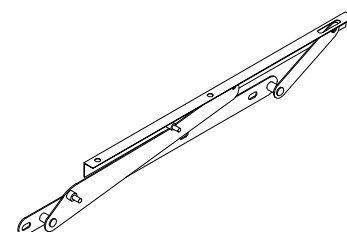
C*2PCS



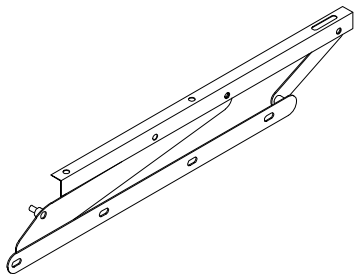
D1*1PC



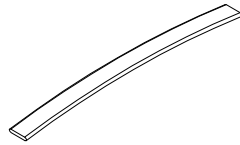
D2*1PC



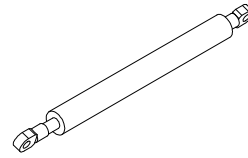
H1*1PC



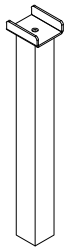
H2*1PC



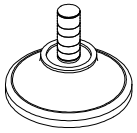
L*28PCS



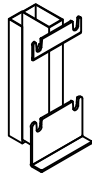
N*2PCS



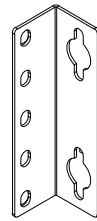
P*2PCS



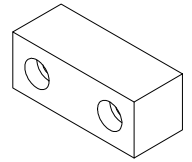
Q*2PCS



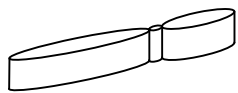
R*2PCS



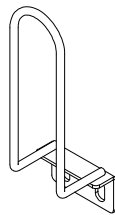
S*4PCS



T*3PCS



U*1PC

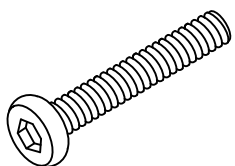


V*2PCS

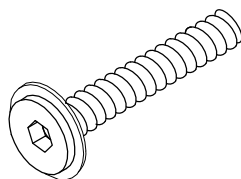
Hardware list

WF531623

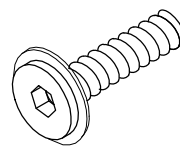
WF531625



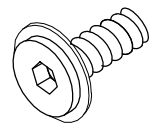
M8*50MM
X1*4PCS



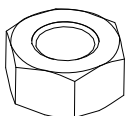
M8*45MM
X2*16PCS



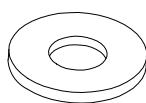
M8*30MM
X3*36PCS



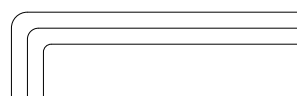
M8*18MM
X4*14PCS



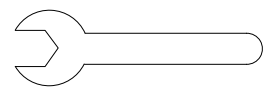
M8
Y*10PCS



Ø22*Ø8.5
Z1*4PCS



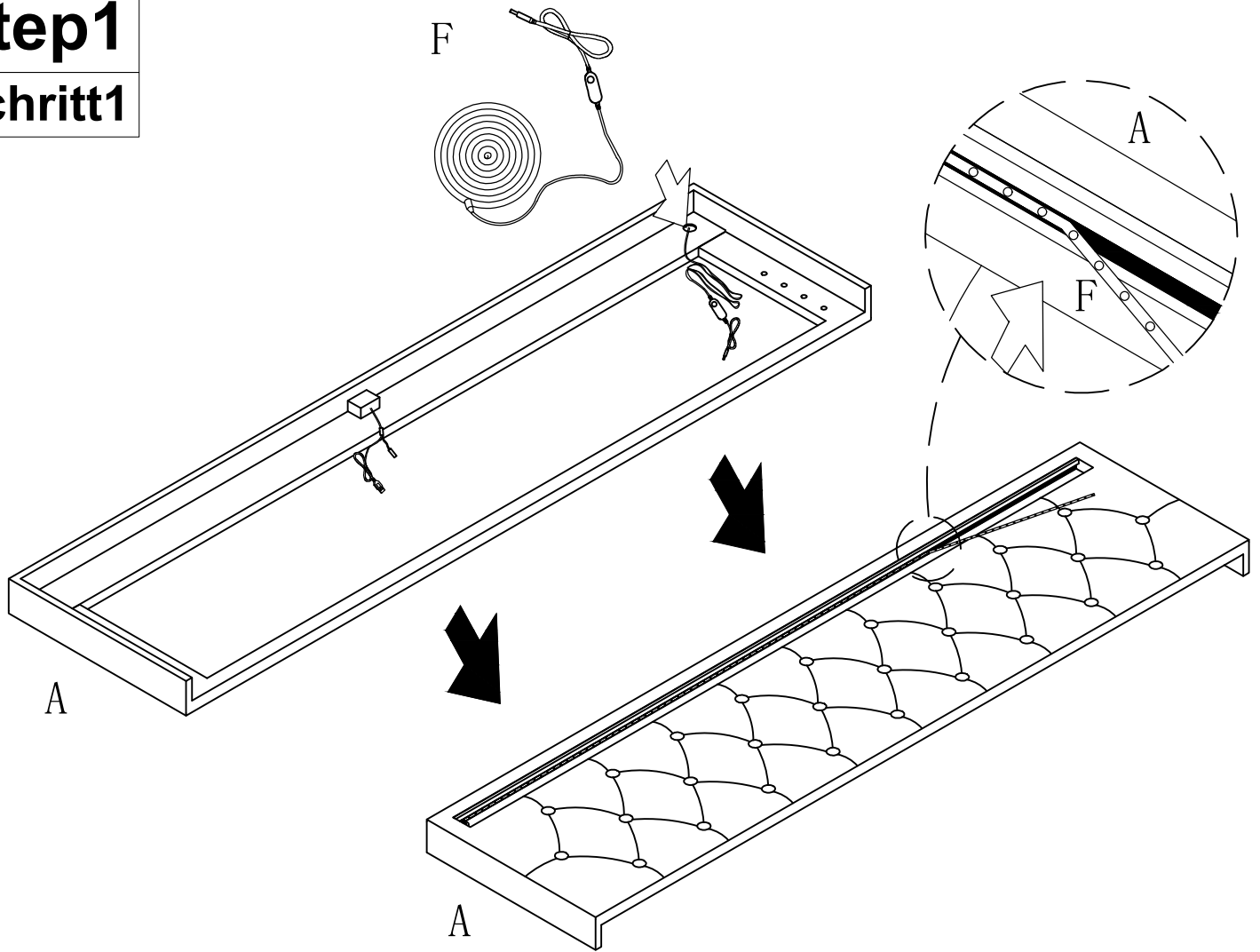
M8
Z2*1PC



M8
Z3*1PC

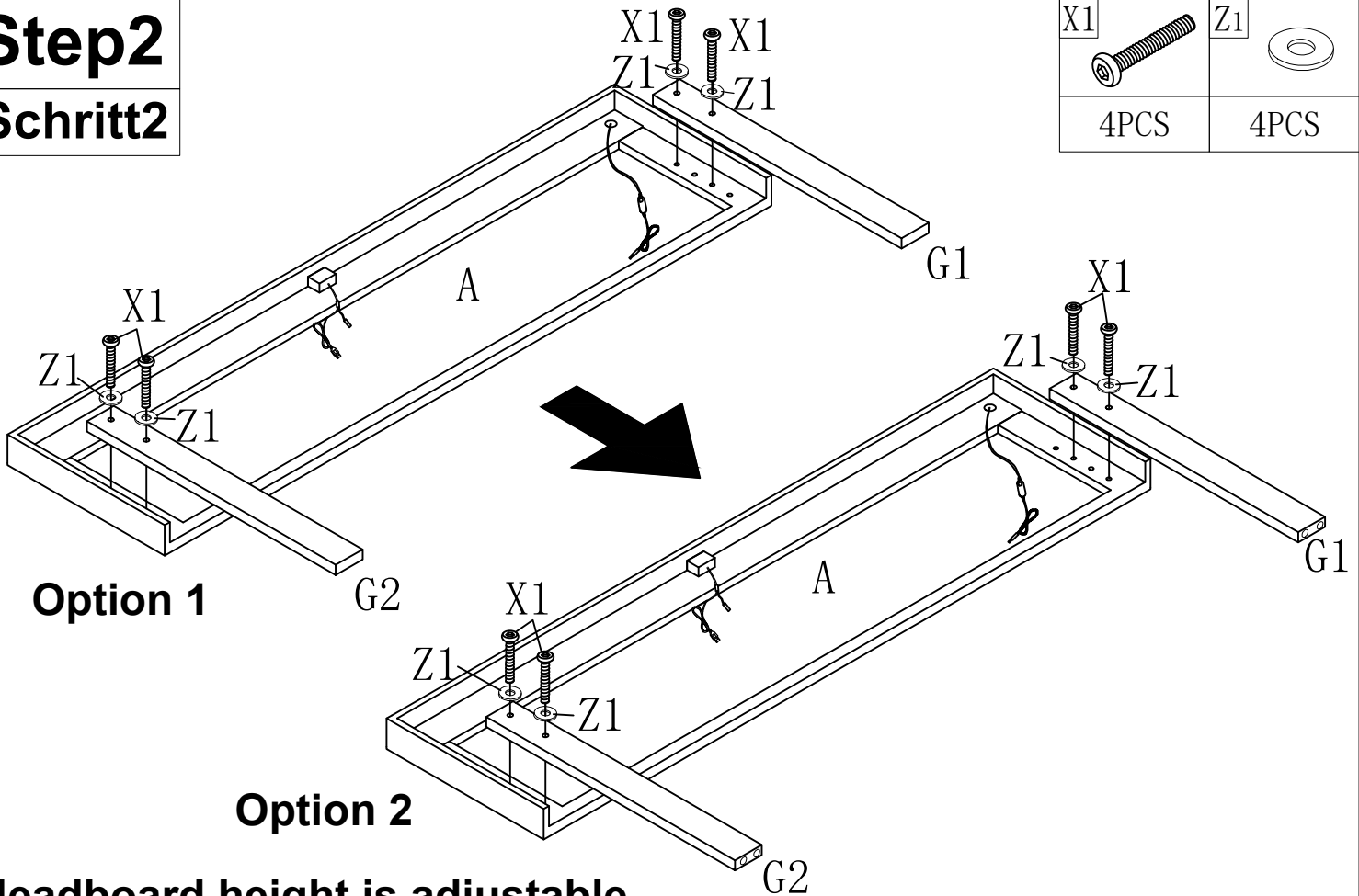
Step1

Schritt1



Step2

Schritt2

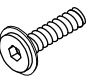


Headboard height is adjustable

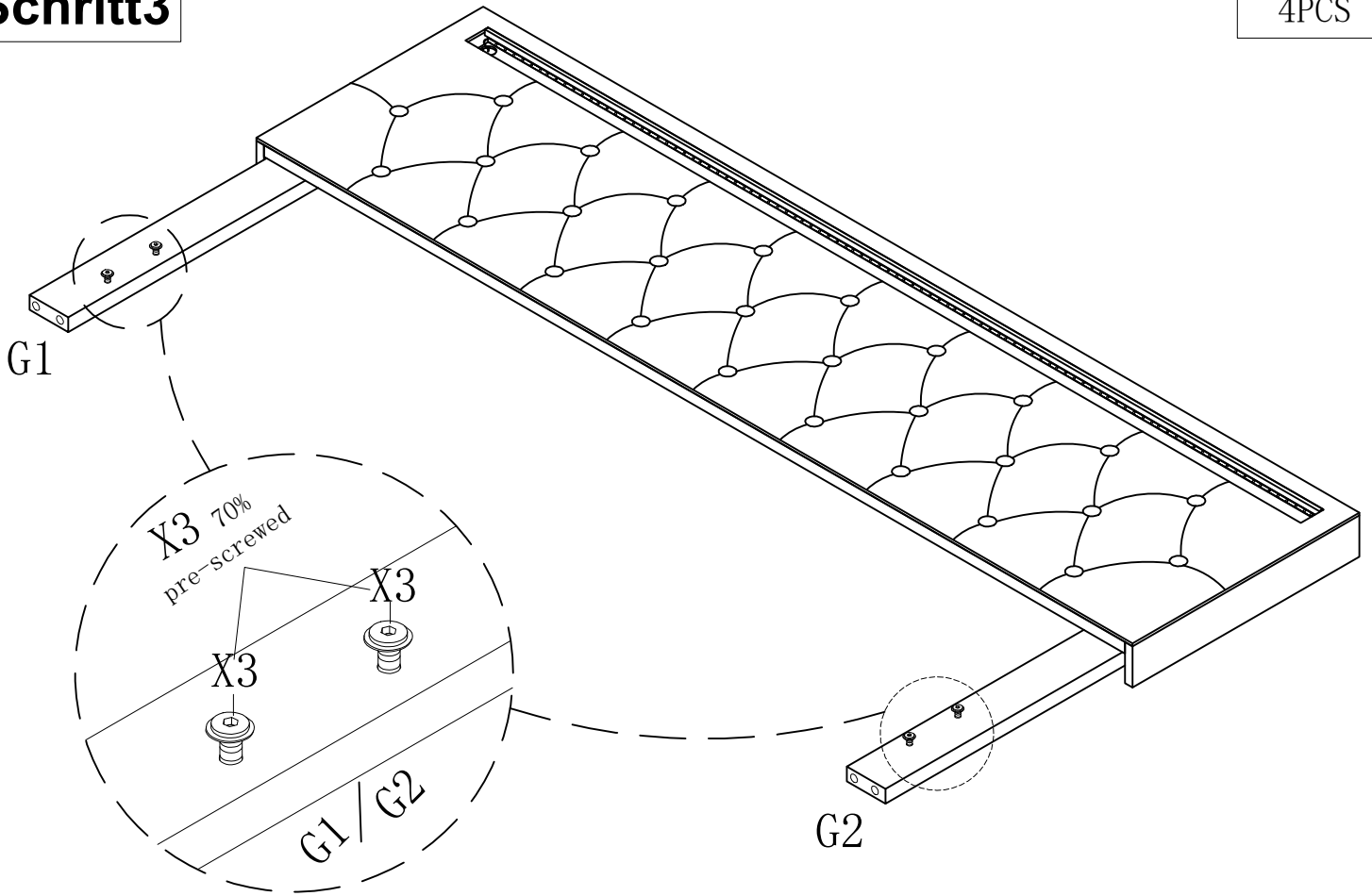
Step3

Schritt3

X3



4PCS



Step4

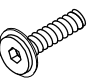
Schritt4

S

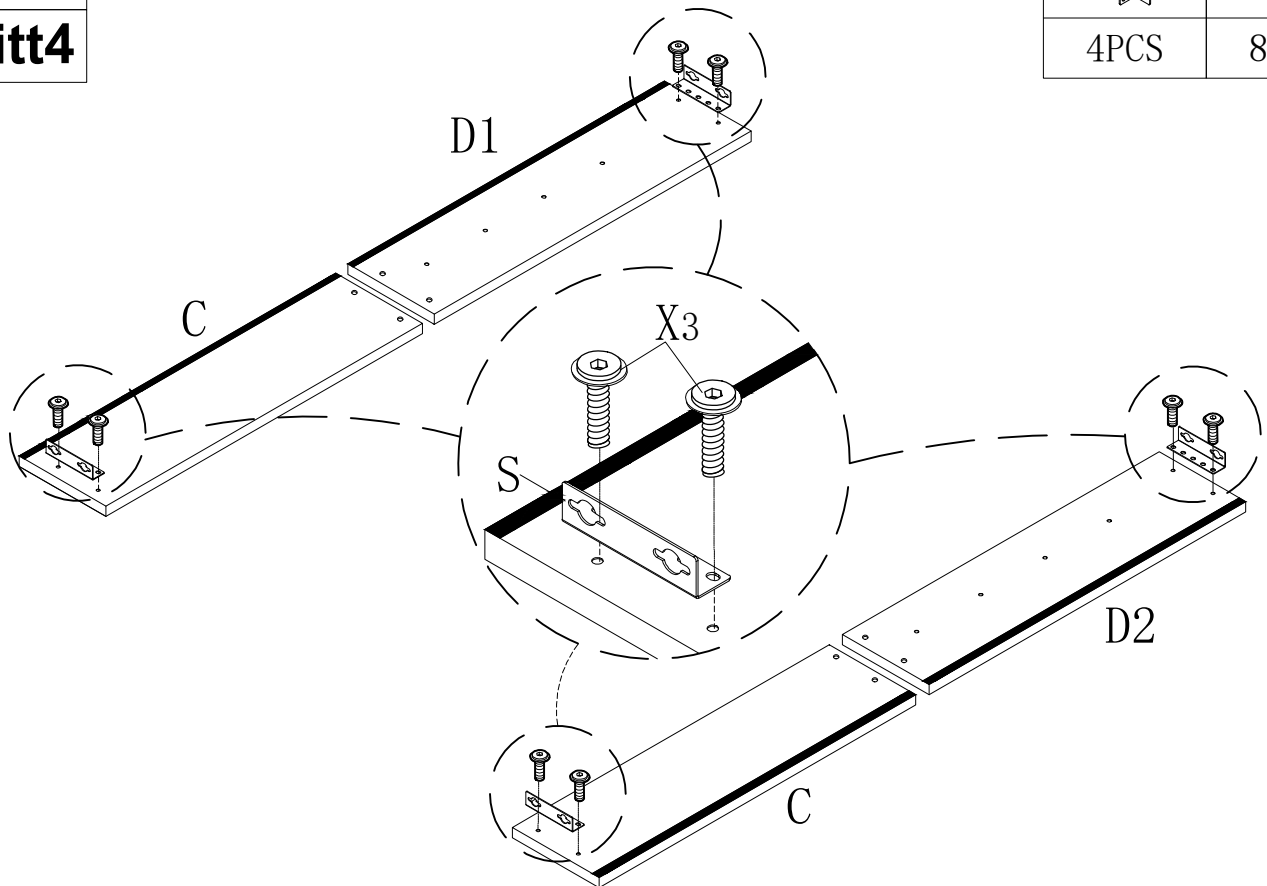


4PCS

X3



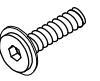
8PCS



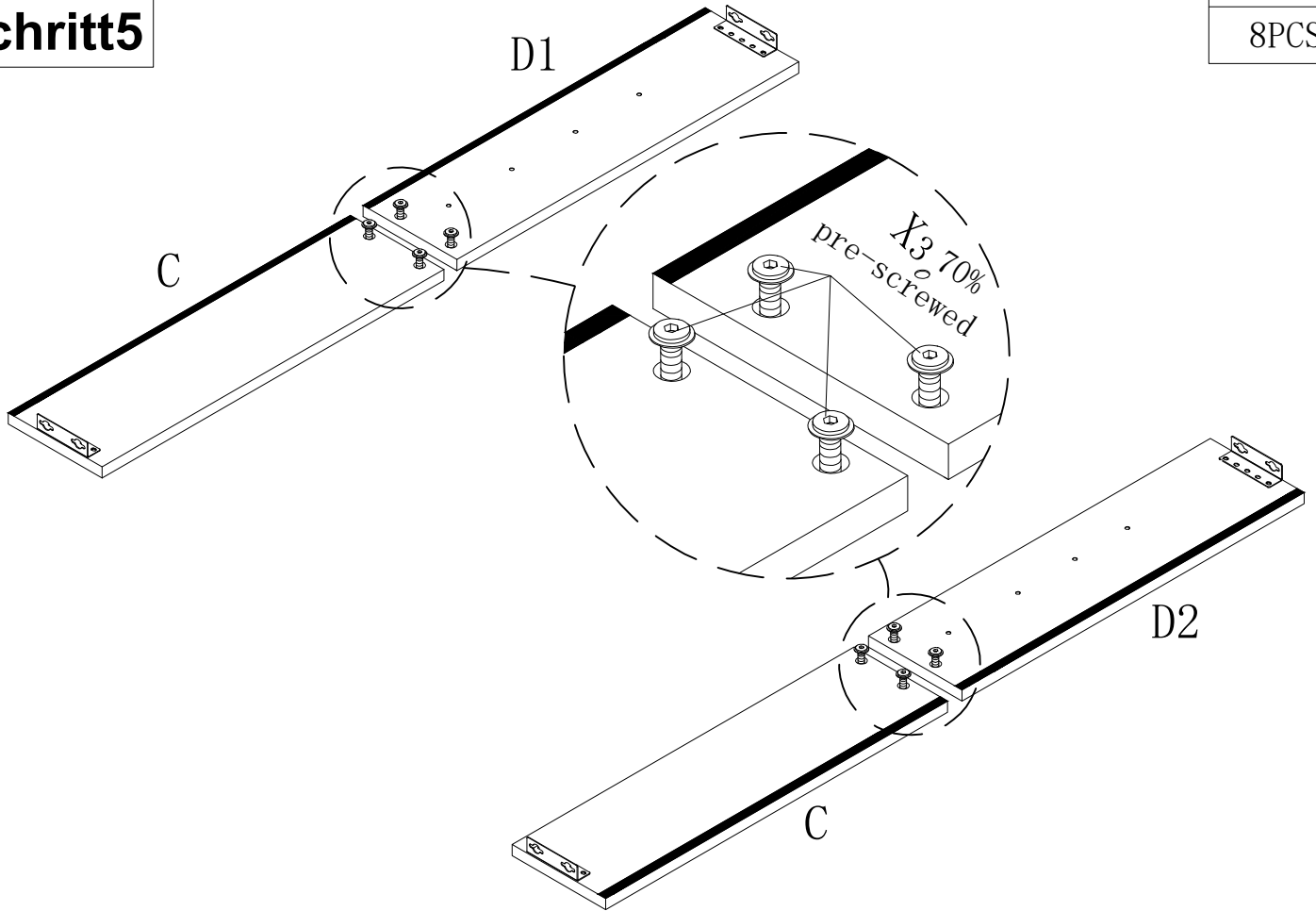
Step5

Schritt5

X3



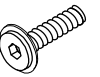
8PCS



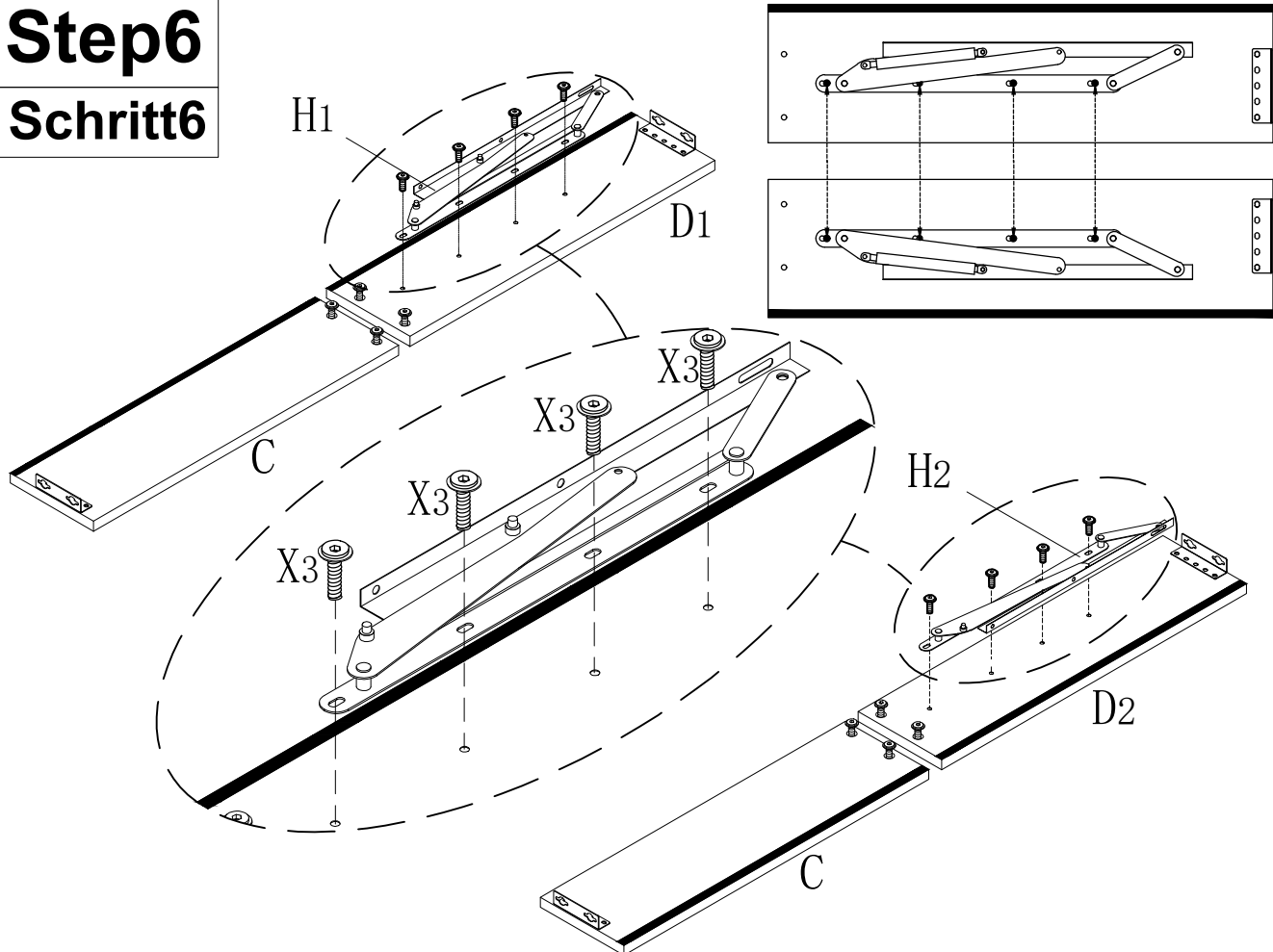
Step6

Schritt6

X3


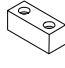
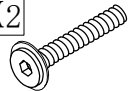
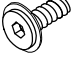


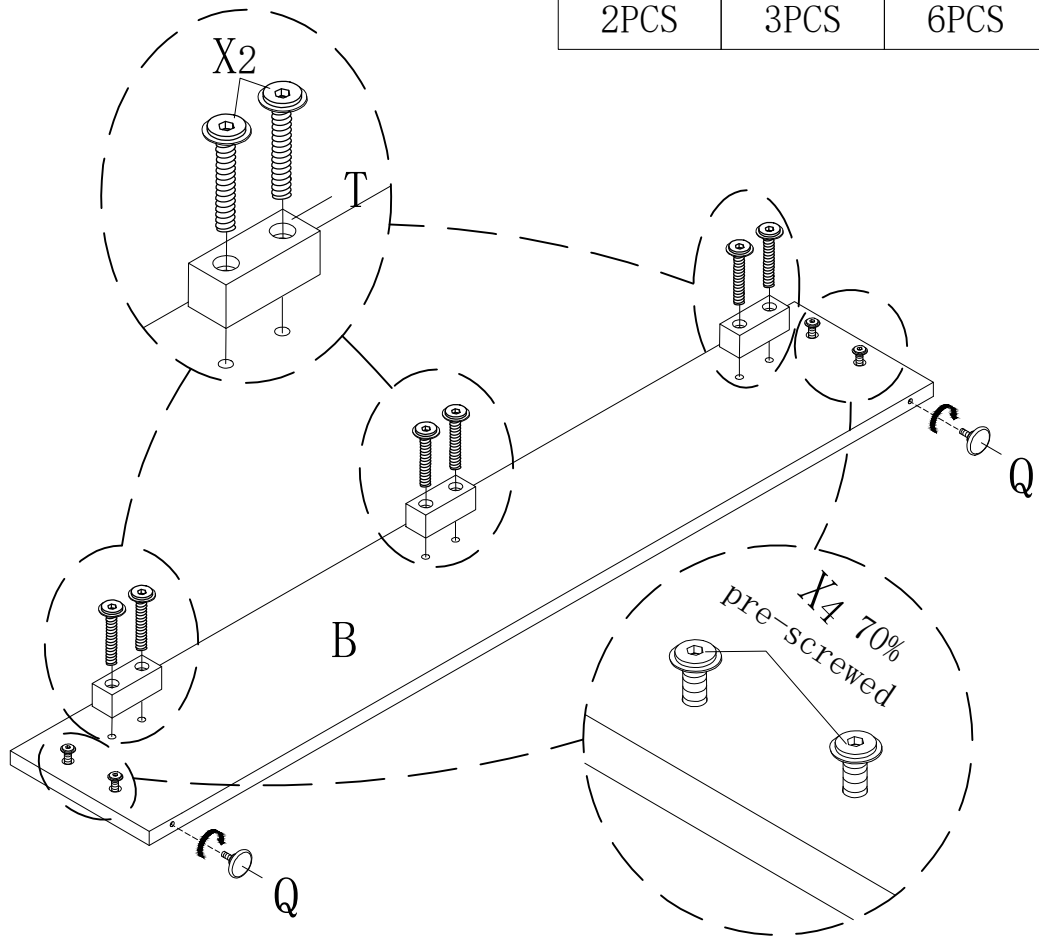
8PCS



Step7

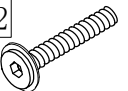
Schritt7

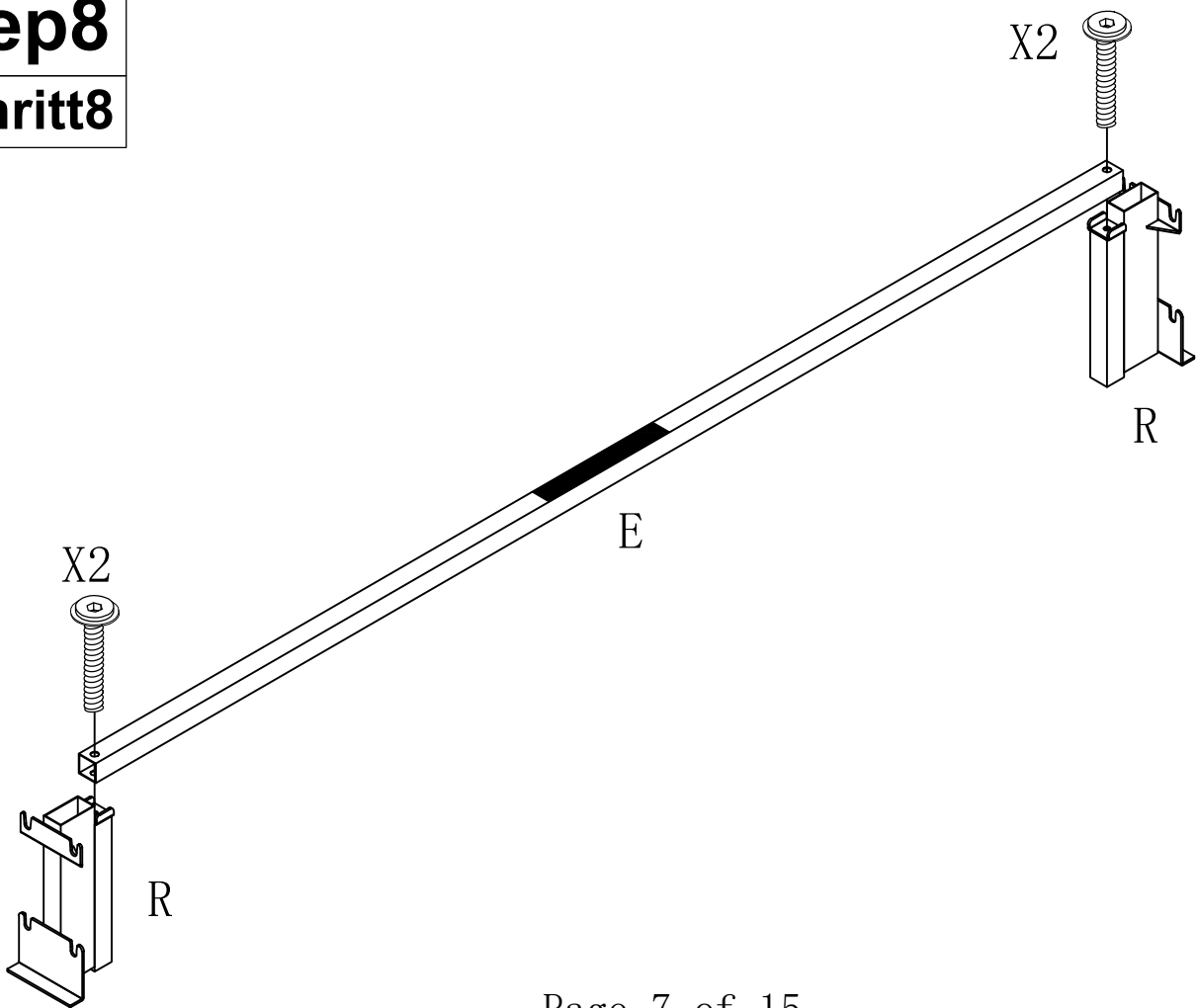
Q	T	X2	X4
			
2PCS	3PCS	6PCS	4PCS



Step8

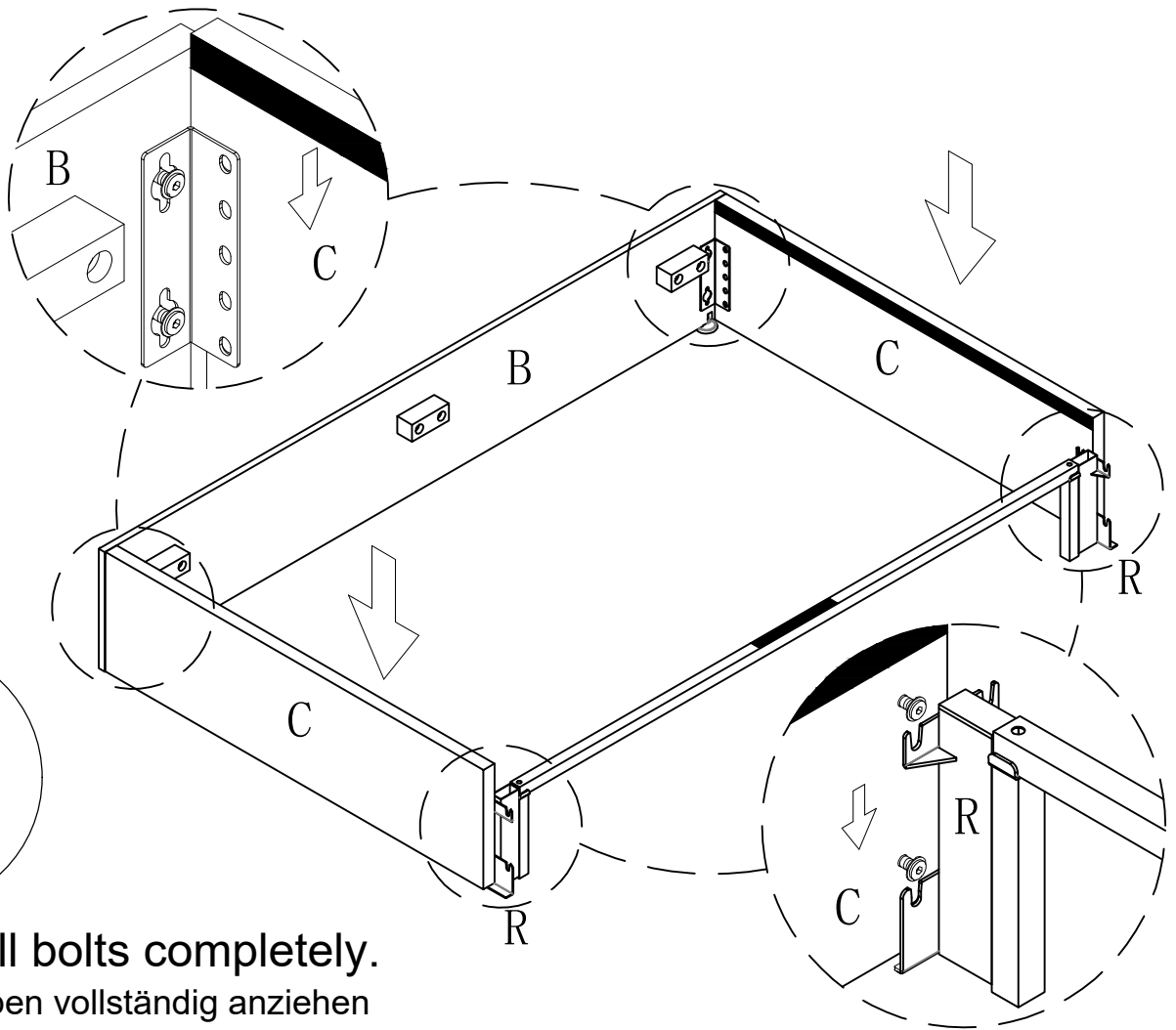
Schritt8

X2

2PCS



Step9

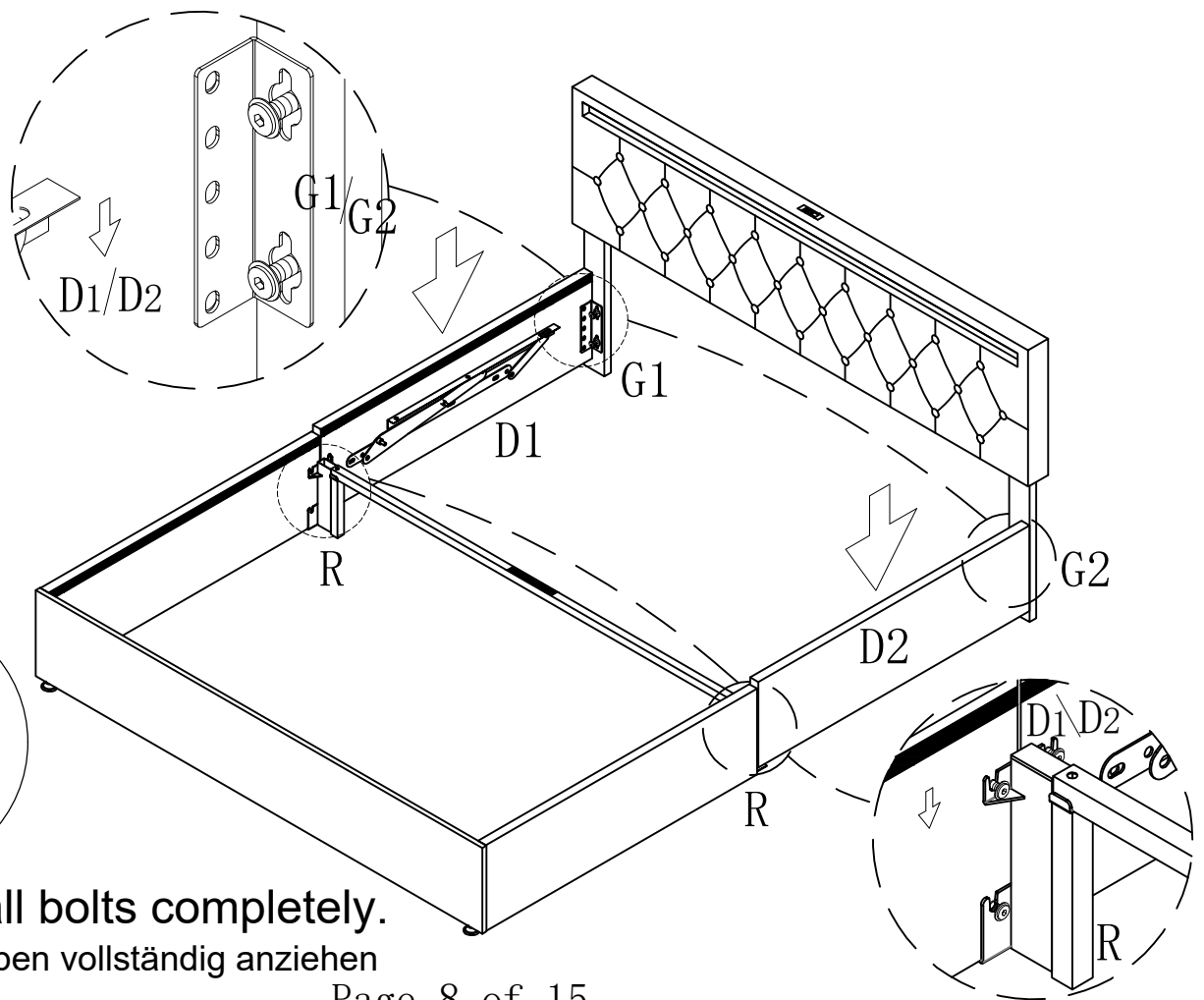
Schritt9



※Tighten all bolts completely.
Alle Schrauben vollständig anziehen

Step10

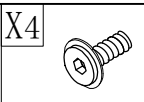
Schritt10



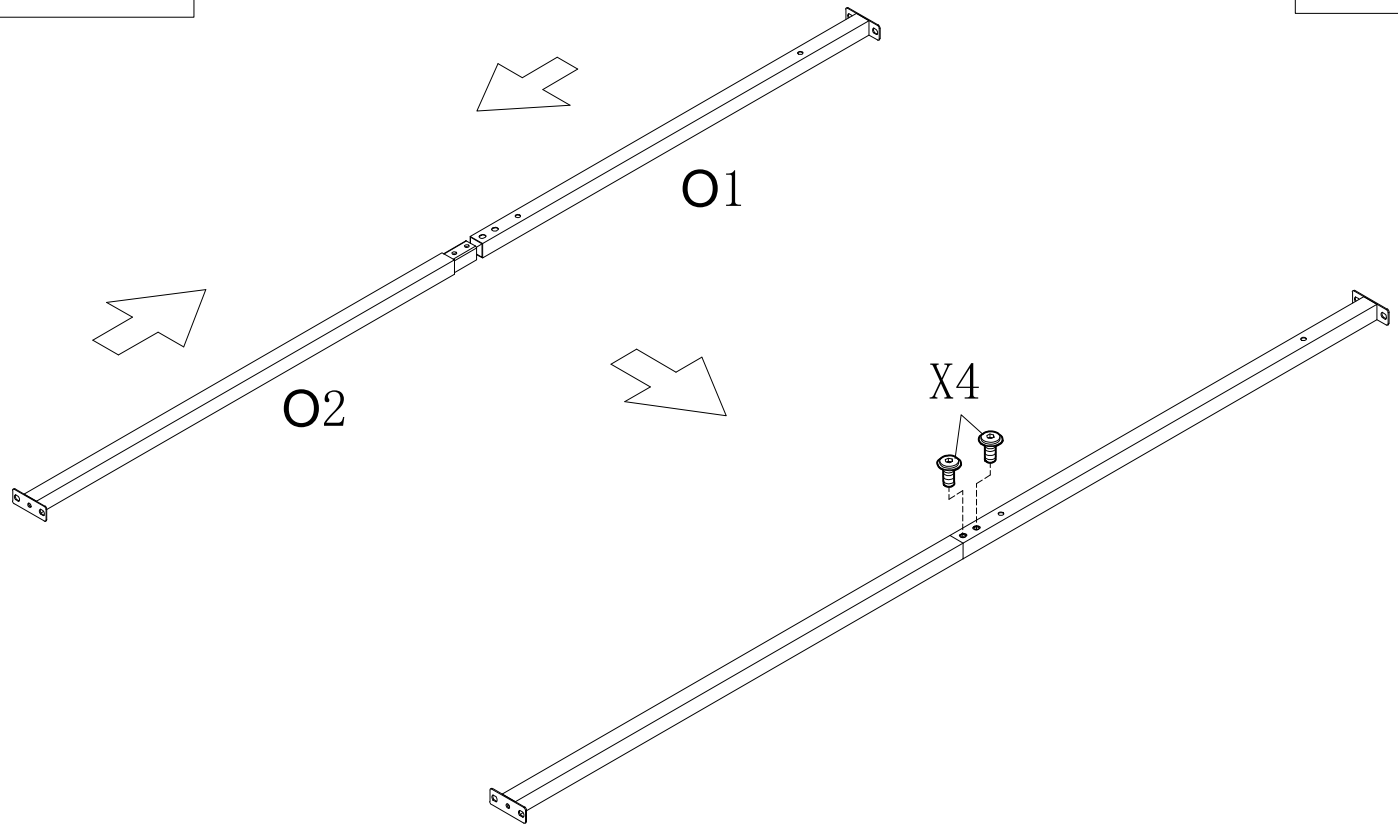
※Tighten all bolts completely.
Alle Schrauben vollständig anziehen

Step 11

Schritt 11

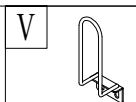


2PCS

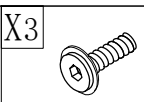


Step 12

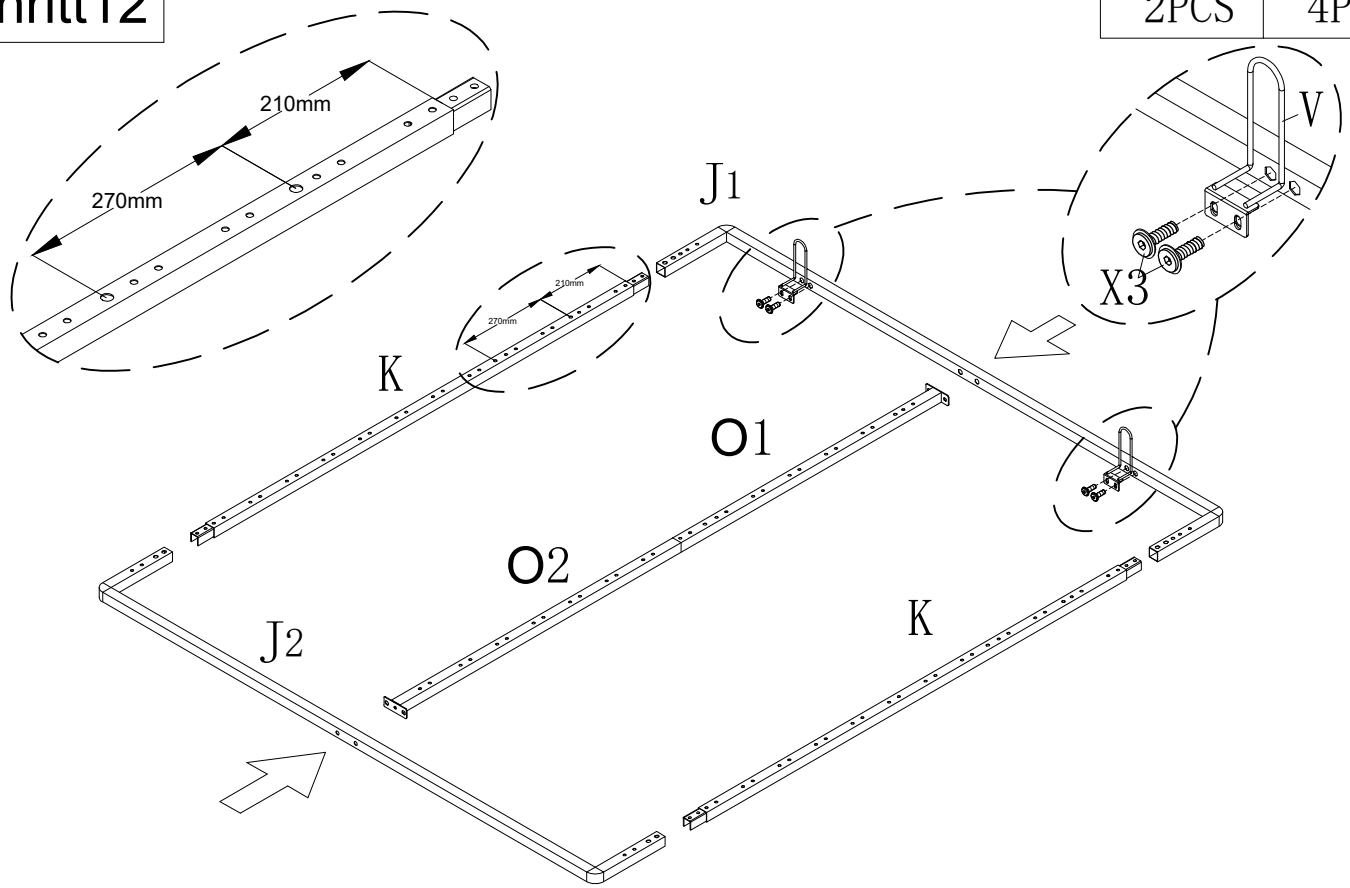
Schritt 12



2PCS

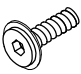



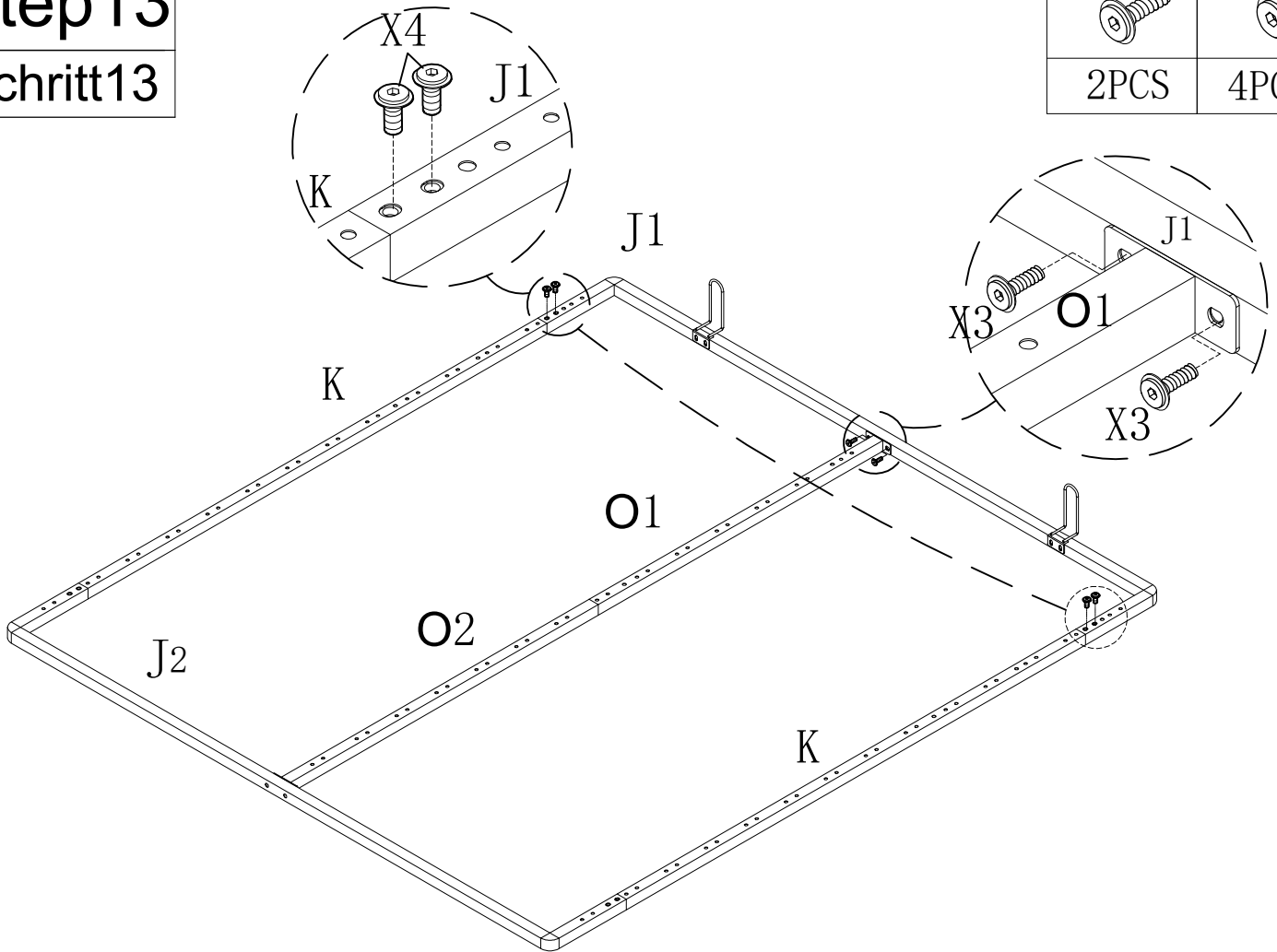
4PCS



Step 13

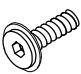
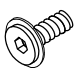
Schritt 13

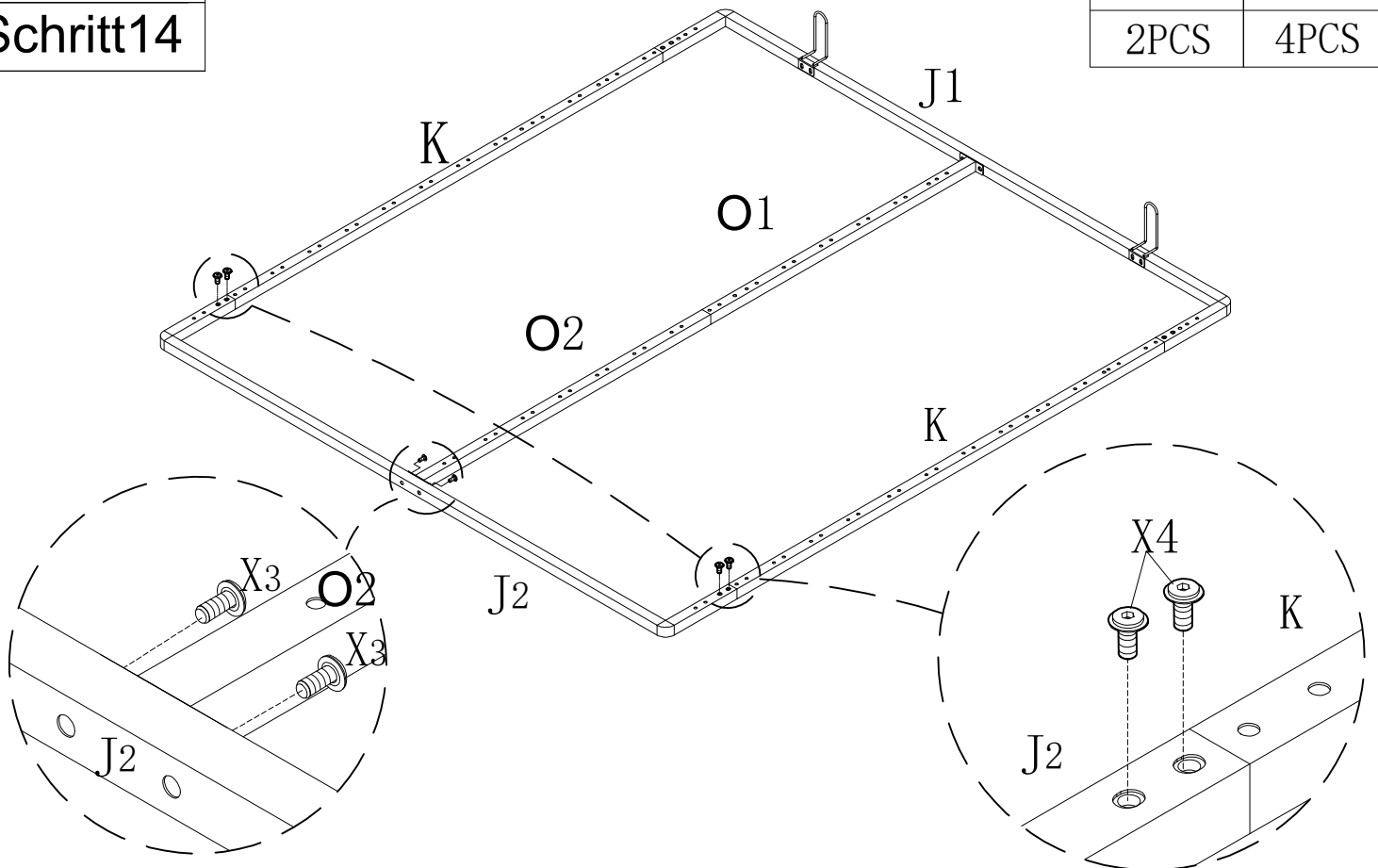
X3		X4	
	2PCS		4PCS



Step 14

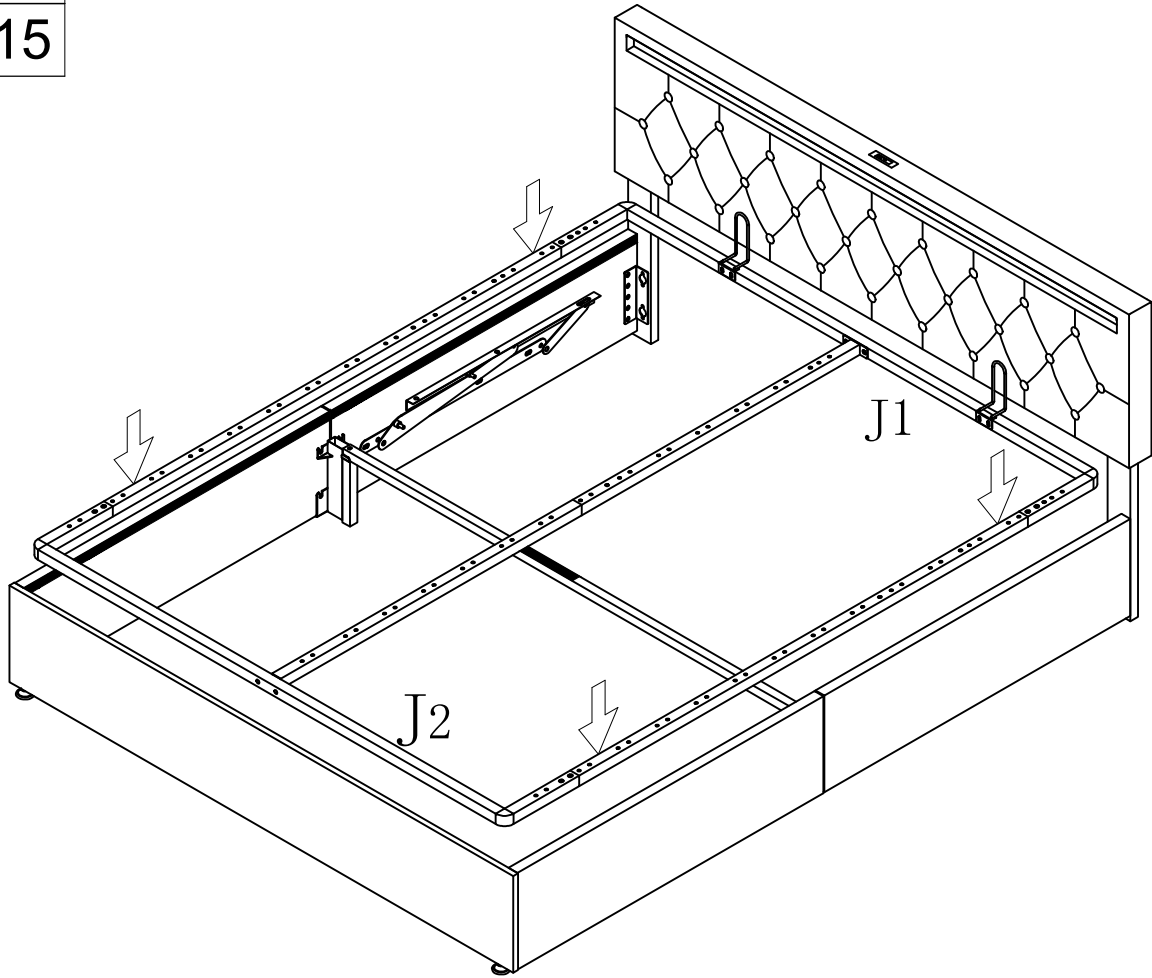
Schritt 14

X3		X4	
	2PCS		4PCS



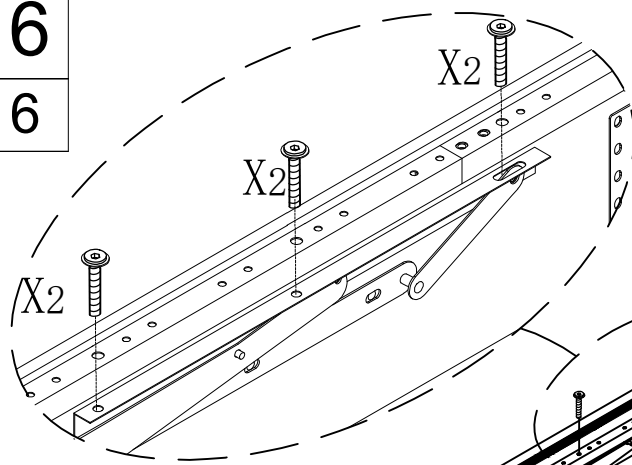
Step 15

Schritt 15

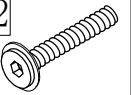


Step 16

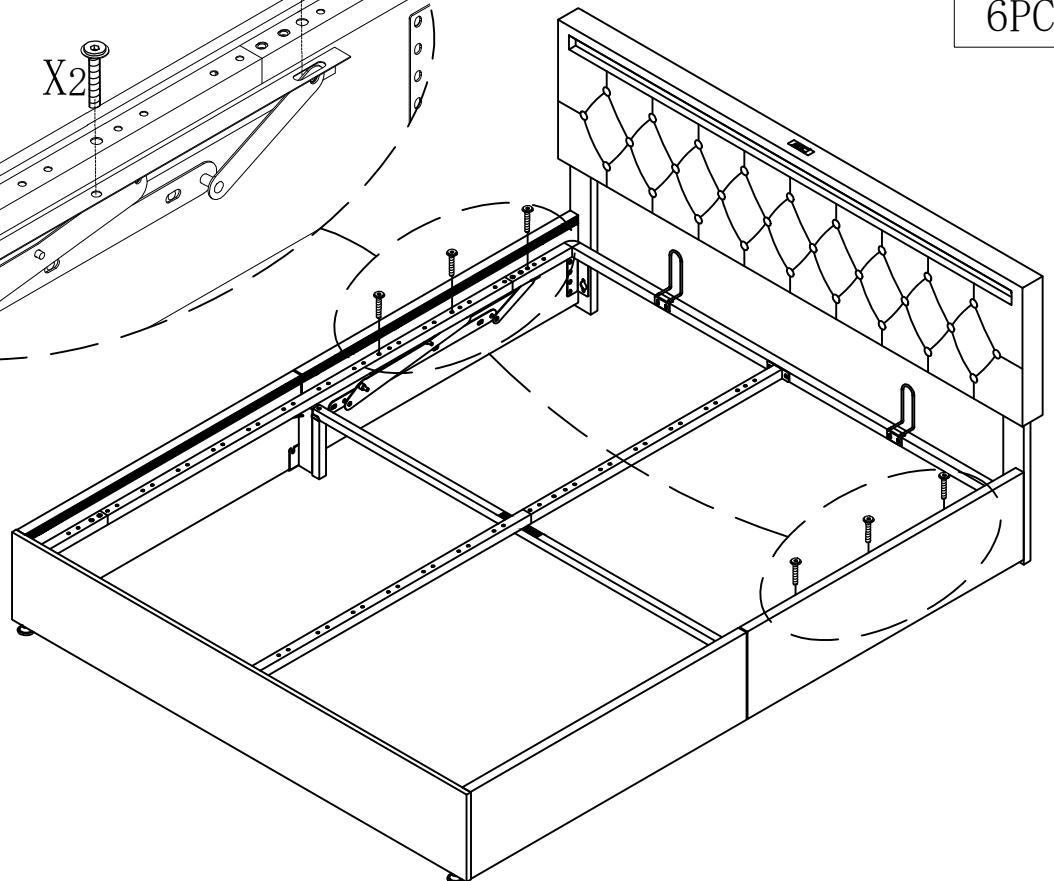
Schritt 16



X2



6PCS



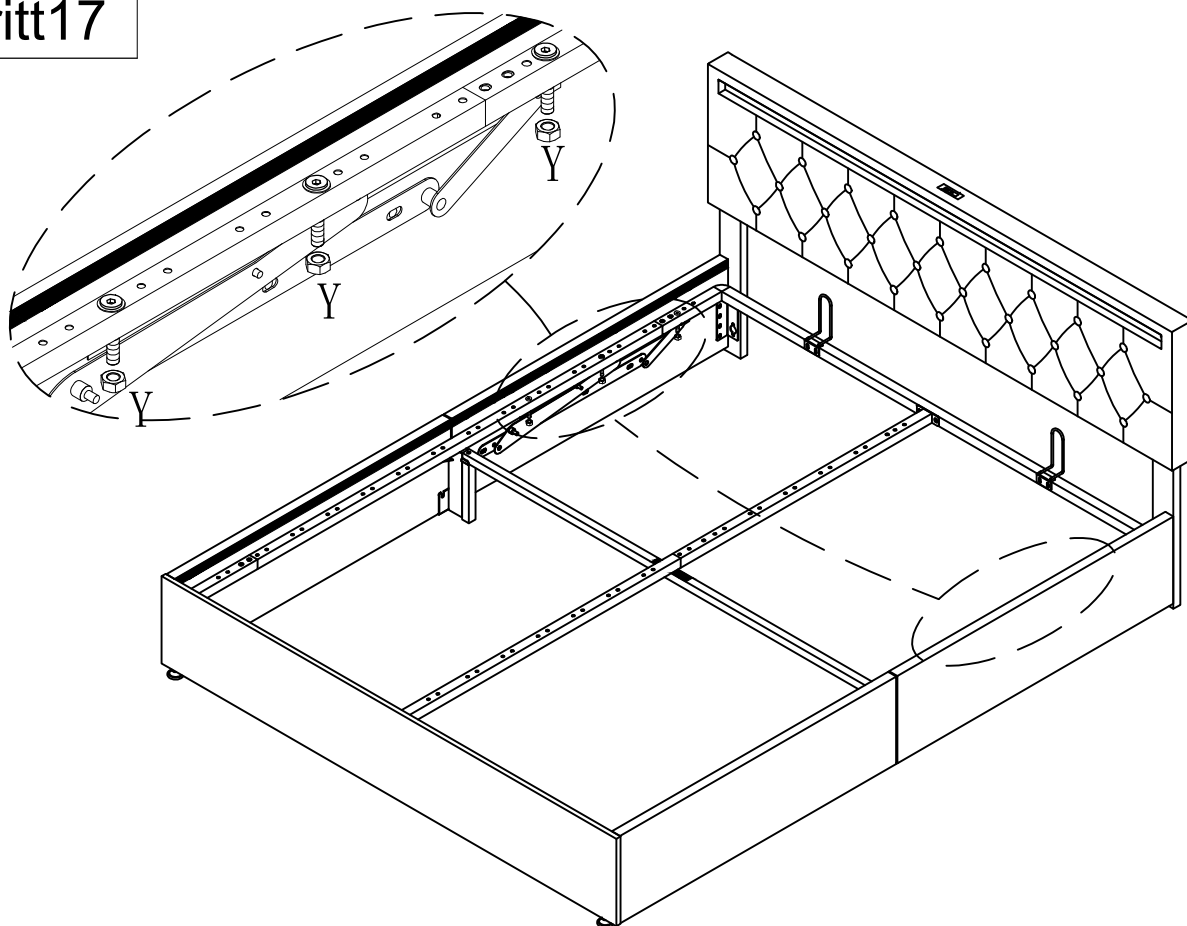
Step 17

Schritt 17

Y



6PCS



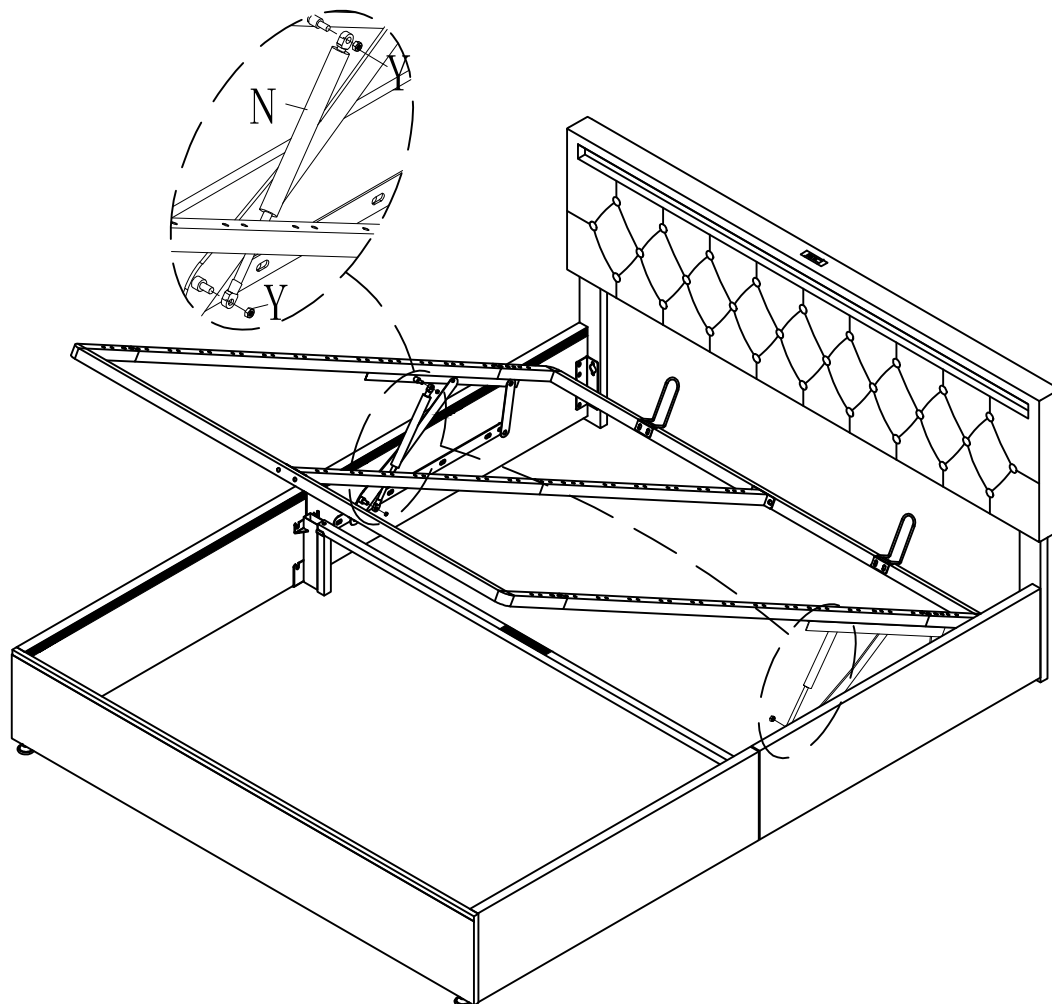
Step 18

Schritt 18

Y



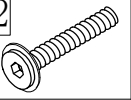
4PCS



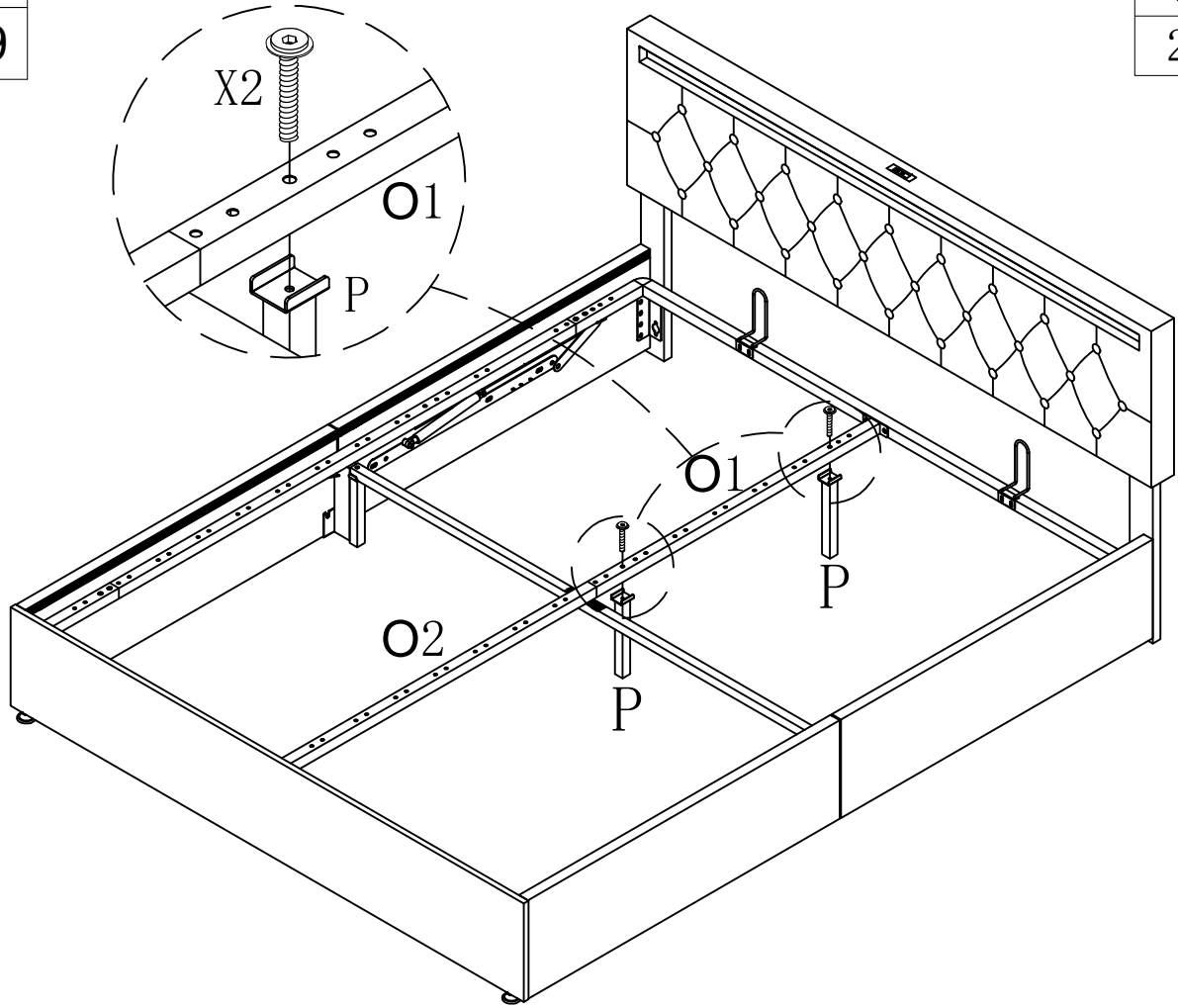
Step19

Schritt19

X2

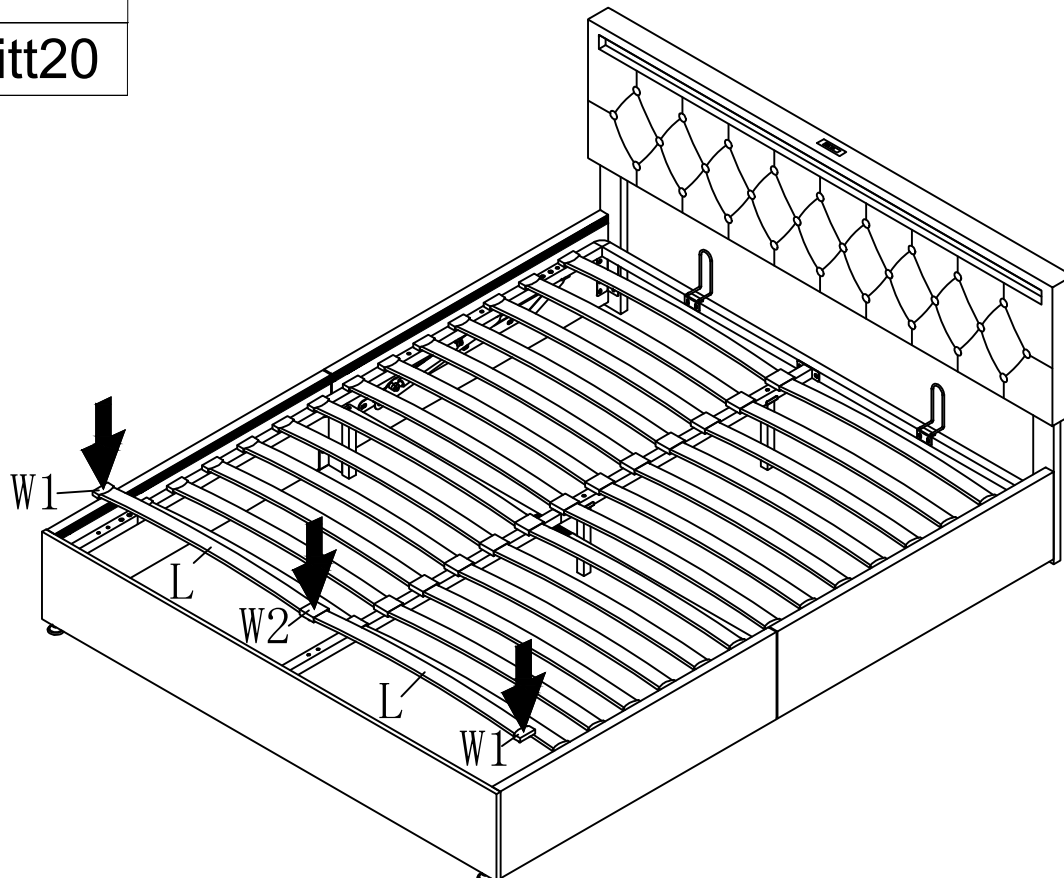


2PCS



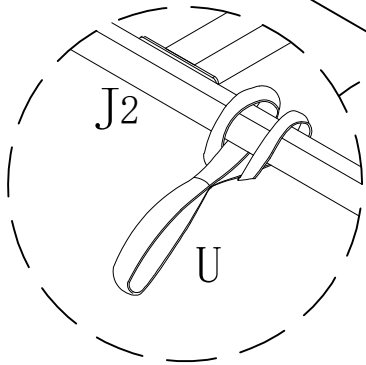
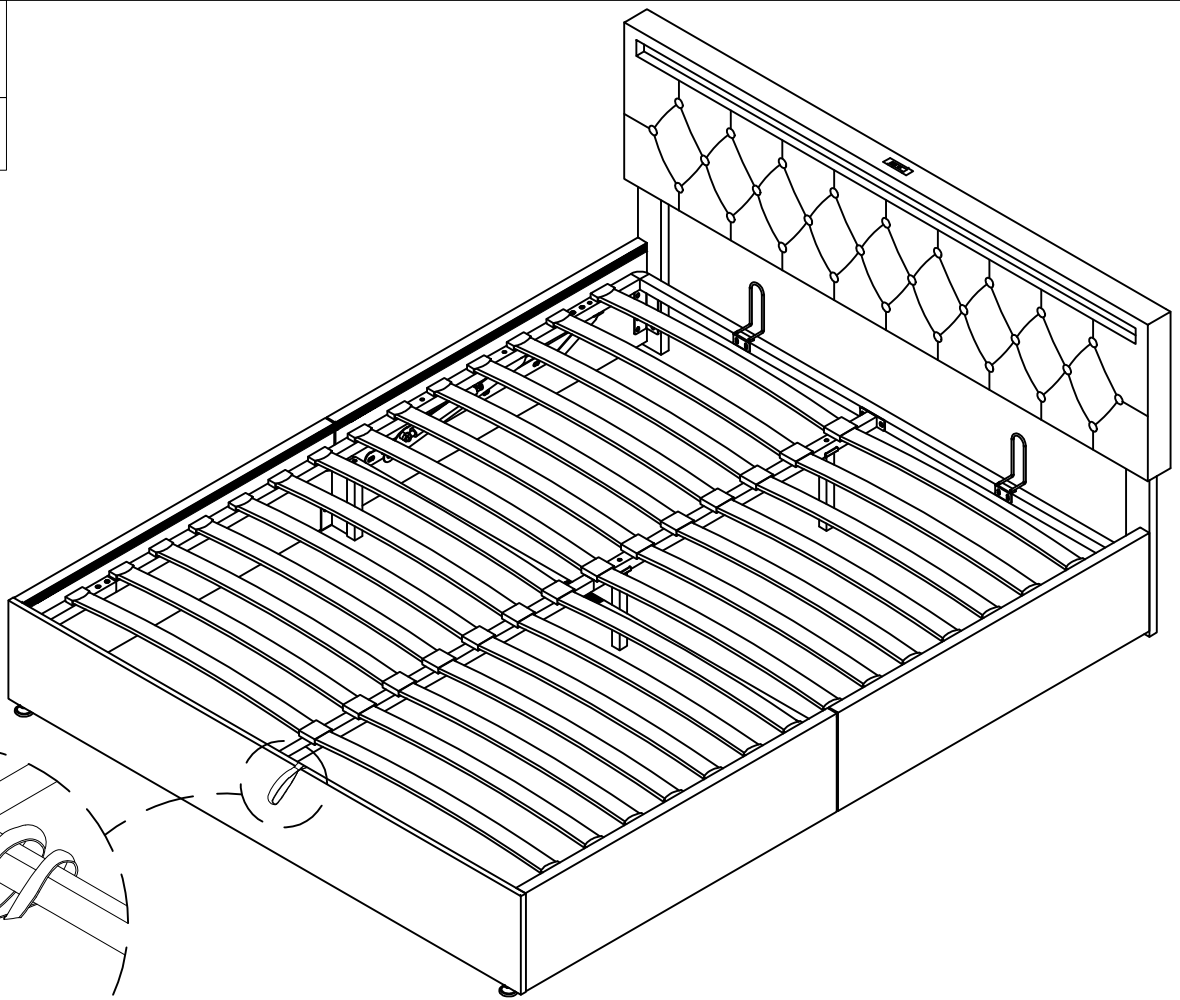
Step20

Schritt20



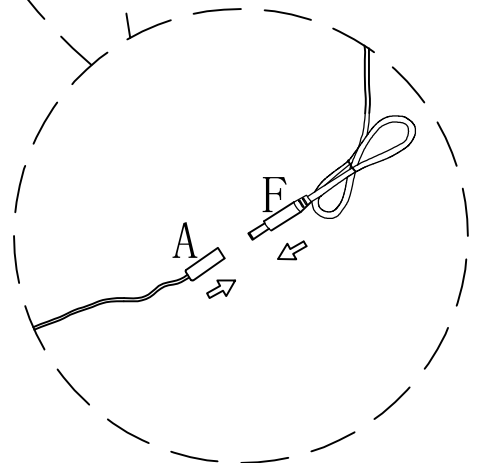
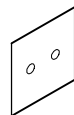
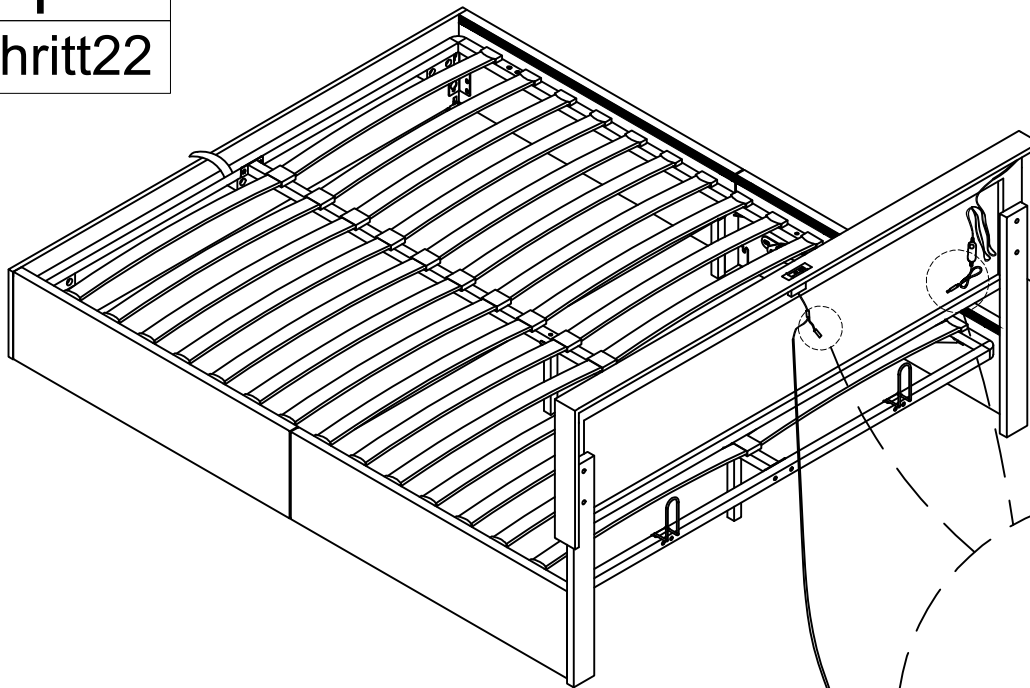
Step21

Schritt21



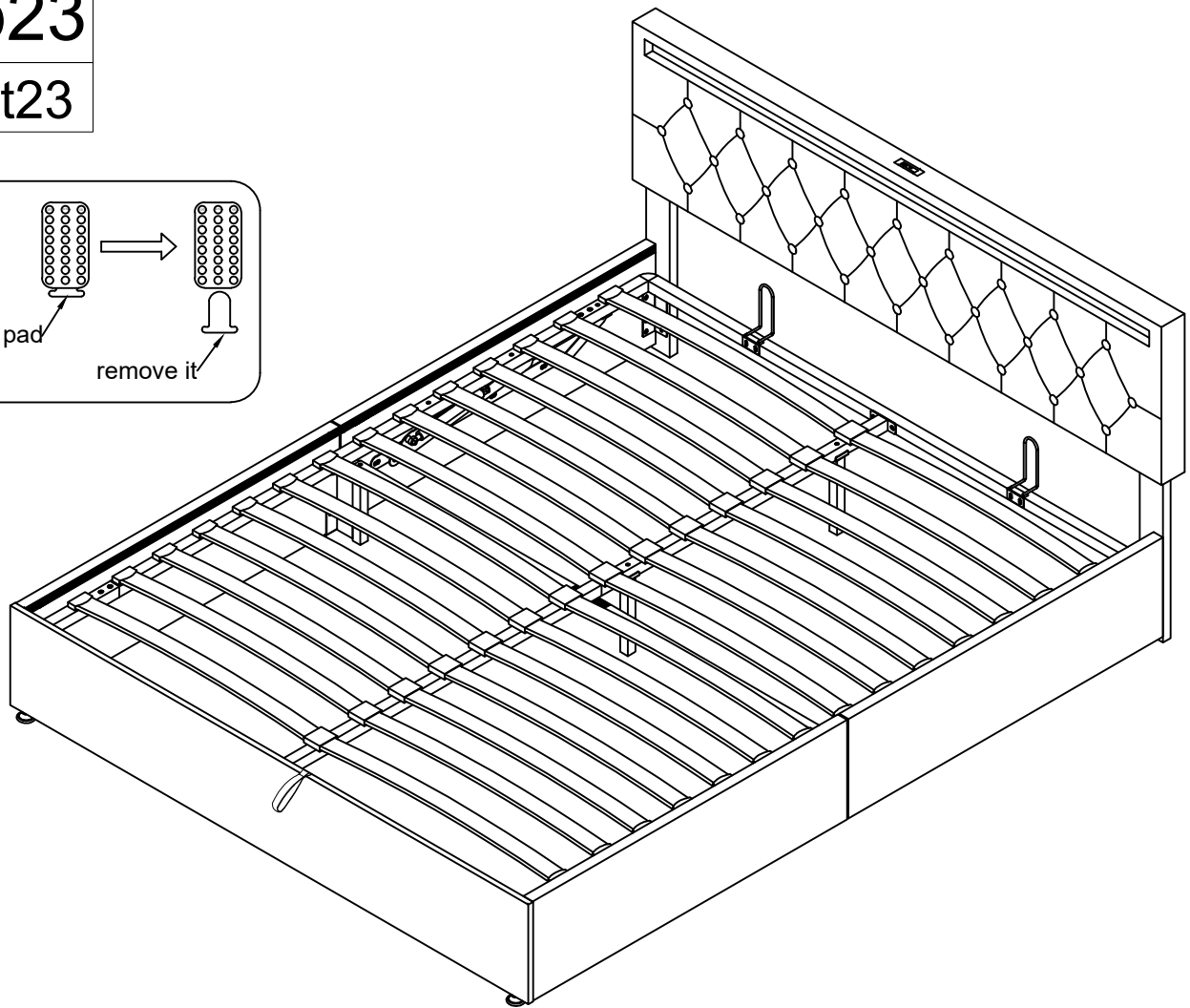
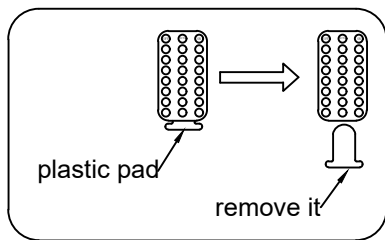
Step22

Schritt22



Step23

Schritt23



IMPORTANT NOTICE OTTOMAN OPERATING INSTRUCTIONS

Once your bed frame is completely assembled, the slat unit will not operate correctly unless a mattress is placed on the slat frame. Position the mattress on the slat frame whilst it is in the closed position.

PLEASE NOTE - It takes a lot of force to make the initial movement of the ottoman. This is a design feature of the product so that it does not fall shut - the nearer to being closed the ottoman is, the easier it is to move. When the ottoman is almost shut, it will close completely under its own weight.

When lowering the slat unit for the first time, take care to make sure it does not rub unevenly on the inside face of the side rails. If it does, the bed has been assembled slightly out of square. This can be rectified by moving the foot end of the bed slightly to the left or right whilst leaving the head end stationary.

PISTONS

The pistons used in the construction of this product are extremely strong and cannot be operated by hand when taken off the ottoman. All pistons are tested for correct pressure and operation before being attached to the slat unit.

Initially it might appear that the pistons are very stiff when opening and closing the ottoman.

THIS IS PERFECTLY NORMAL

When fully assembled and the mattress is in position, please raise and lower the ottoman 4/5 times to ensure the gas piston are fully lubricated.

