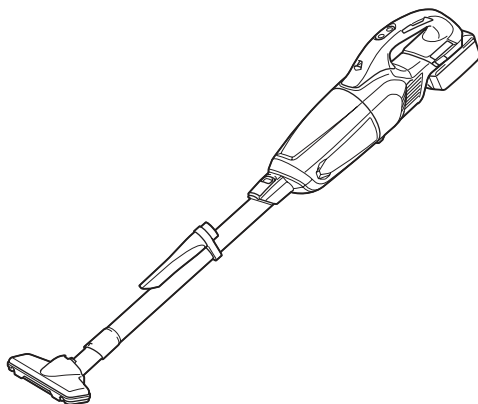
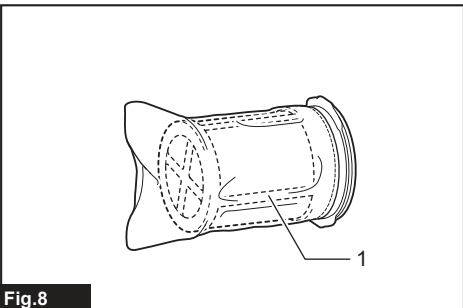
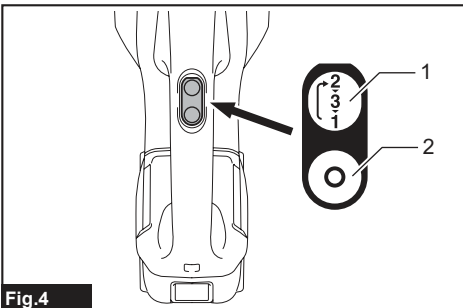
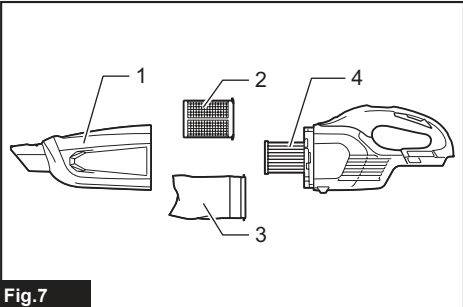
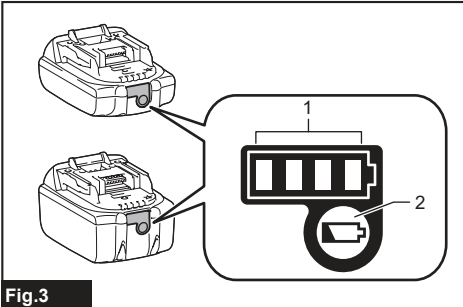
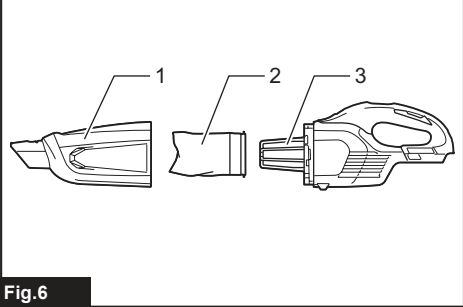
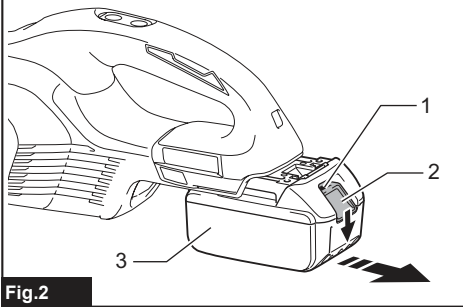
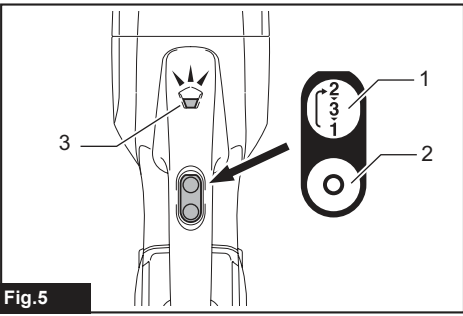
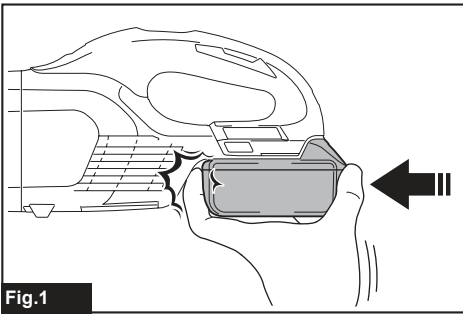


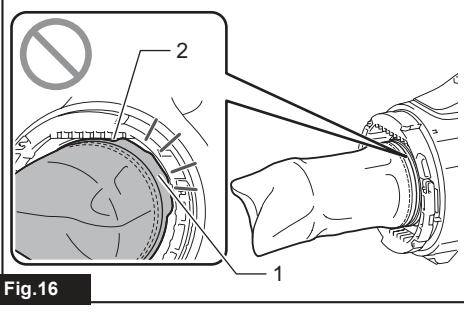
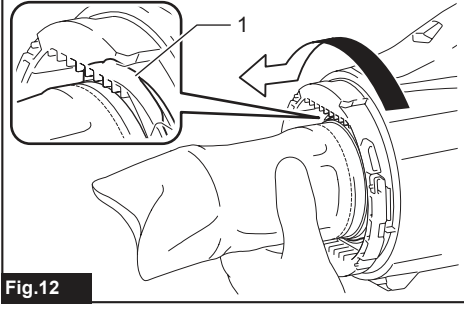
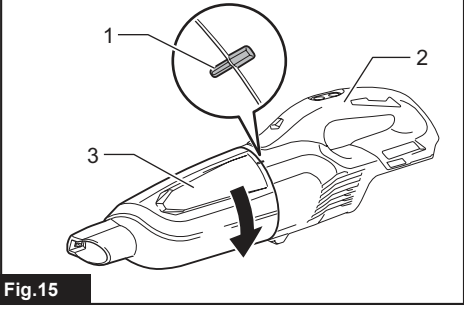
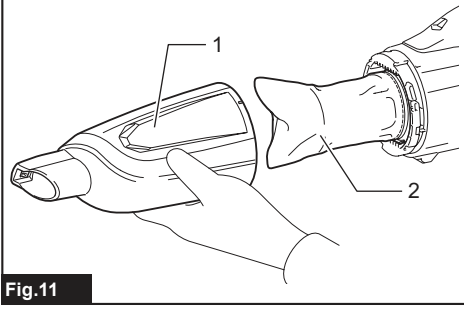
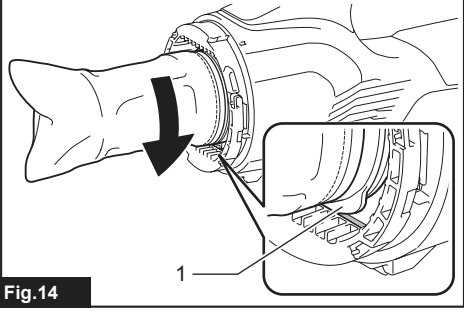
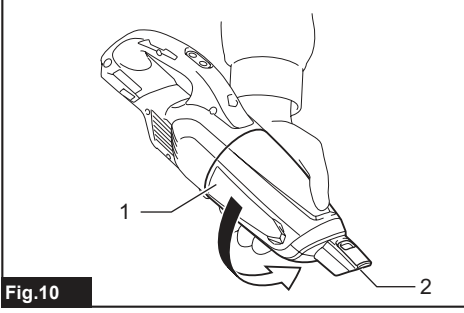
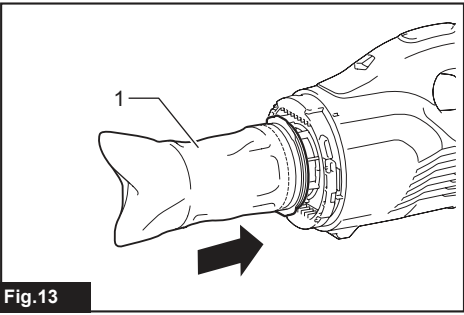
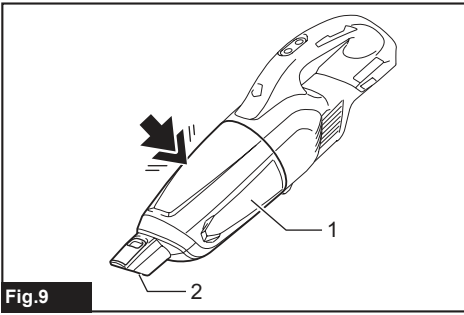


EN	Cordless Cleaner	INSTRUCTION MANUAL	7
PL	Odkurzacz Akumulatorowy	INSTRUKCJA OBSŁUGI	14
HU	Vezeték nélküli porszívó	HASZNÁLATI KÉZIKÖNYV	22
SK	Akumulátorový vysávač	NÁVOD NA OBSLUHU	29
CS	Akumulátorový vysavač	NÁVOD K OBSLUZE	36
UK	Бездротовий пилосос	ІНСТРУКЦІЯ З ЕКСПЛУАТАЦІЇ	43
RO	Aspirator cu acumulator	MANUAL DE INSTRUCȚIUNI	51
DE	Akku-Staubsauger	BETRIEBSANLEITUNG	58

DCL281F







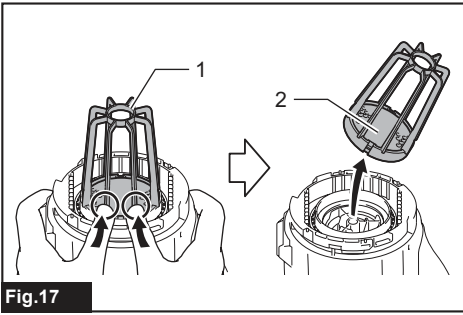


Fig.17

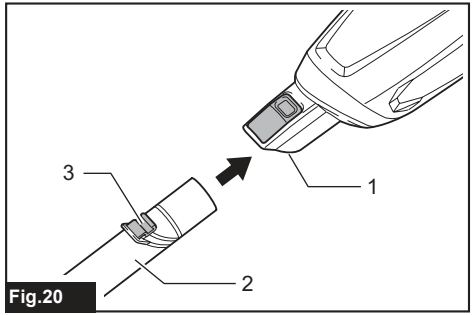


Fig.20

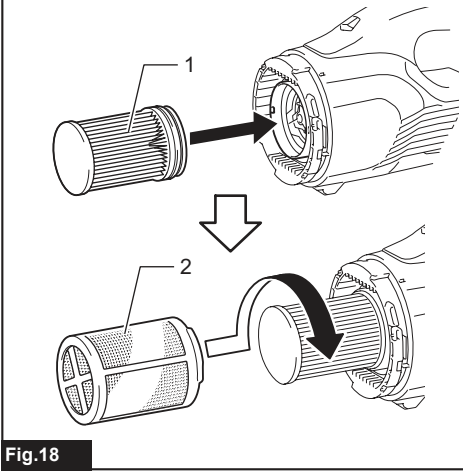


Fig.18

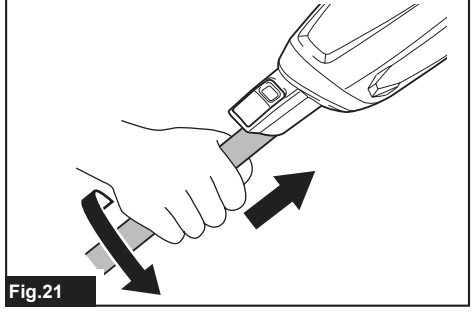


Fig.21

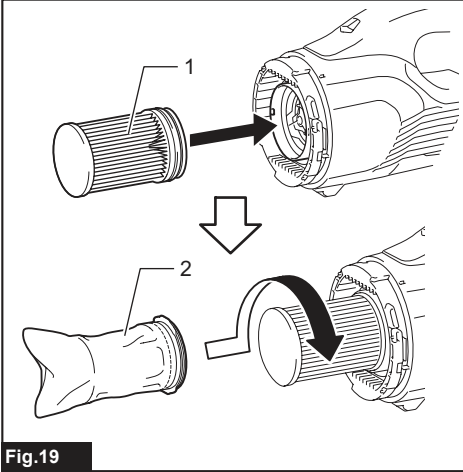


Fig.19

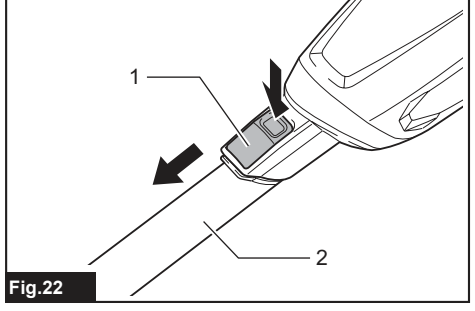


Fig.22

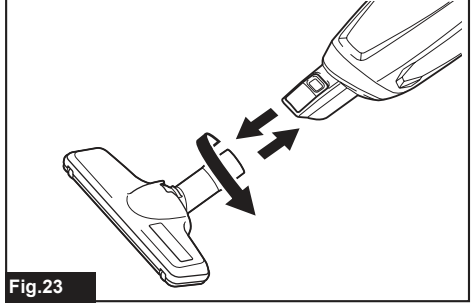
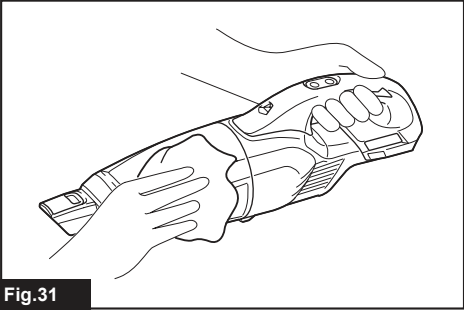
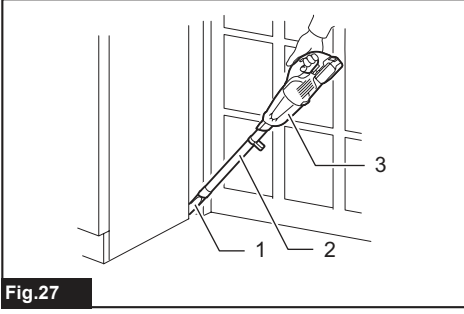
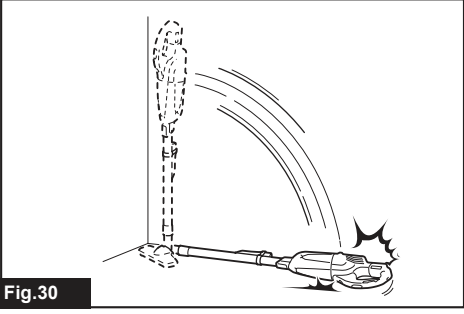
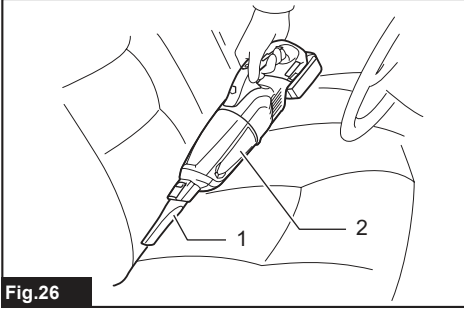
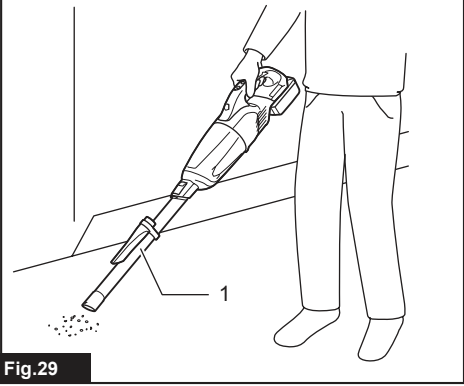
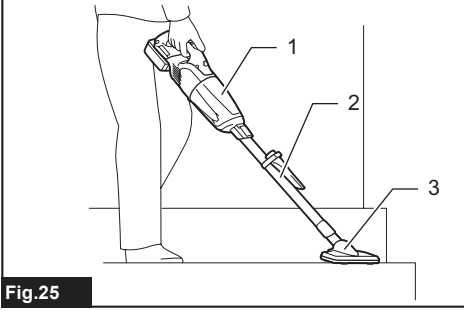
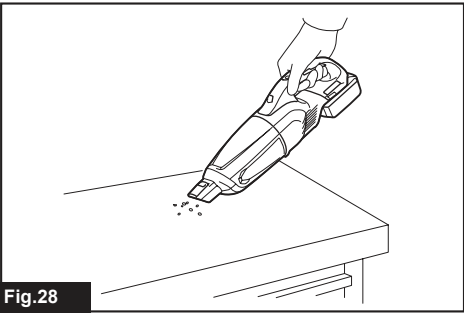
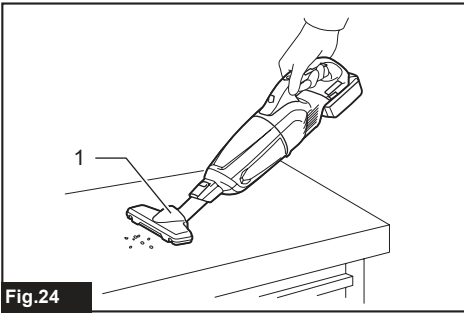
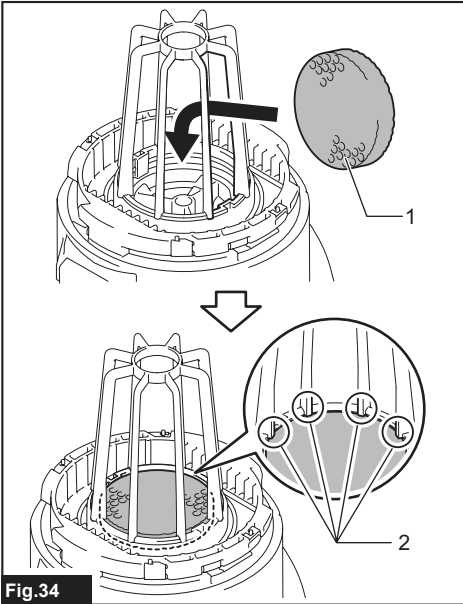
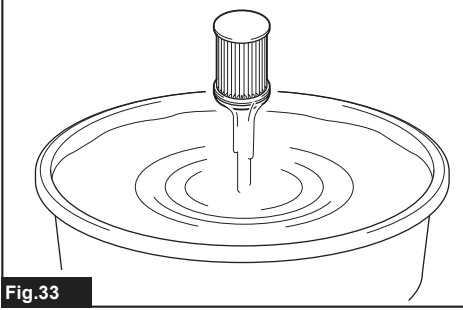
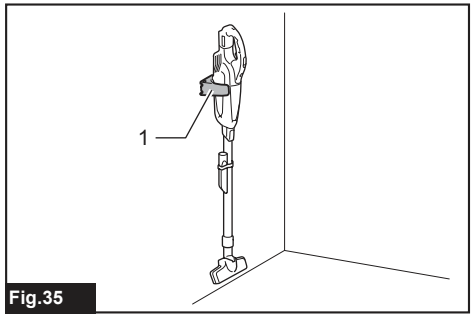
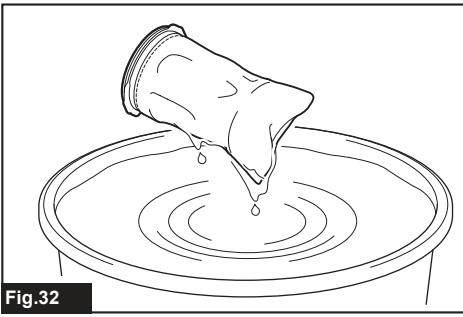


Fig.23





WARNING

This appliance can be used by children aged from 8 years and above and persons with reduced physical, sensory or mental capabilities or lack of experience and knowledge if they have been given supervision or instruction concerning use of the appliance in a safe way and understand the hazards involved. Children shall not play with the appliance. Cleaning and user maintenance shall not be made by children without supervision.

SPECIFICATIONS

Model:		DCL281F
Capacity		750 mL
Continuous use (with battery BL1830B)	1 (Normal speed mode)	Approx. 50 min
	2 (High speed mode)	Approx. 20 min
	3 (Max speed mode)	Approx. 15 min
Overall length		1,016 mm
Rated voltage		D.C. 18 V
Net weight		1.2 - 1.6 kg

- Due to our continuing program of research and development, the specifications herein are subject to change without notice.
- Specifications may differ from country to country.
- The weight does not include accessories but battery cartridge(s). The lightest and heaviest combination weight of the appliance and battery cartridge(s) are shown in the table.

Applicable battery cartridge and charger

Battery cartridge	BL1815N / BL1820 / BL1820B / BL1830 / BL1830B / BL1840 / BL1840B / BL1850 / BL1850B / BL1860B
Charger	DC18RC / DC18RD / DC18RE / DC18SD / DC18SE / DC18SF

- Some of the battery cartridges and chargers listed above may not be available depending on your region of residence.

⚠ WARNING: Only use the battery cartridges and chargers listed above. Use of any other battery cartridges and chargers may cause injury and/or fire.

Symbols

The followings show the symbols used for the equipment. Be sure that you understand their meaning before use.



Read instruction manual.



Only for EU countries
Do not dispose of electric equipment or battery pack together with household waste material! In observance of the European Directives, on Waste Electric and Electronic Equipment and Batteries and Accumulators and Waste Batteries and Accumulators and their implementation in accordance with national laws, electric equipment and batteries and battery pack(s) that have reached the end of their life must be collected separately and returned to an environmentally compatible recycling facility.

Intended use

The tool is intended for collecting dry dust.

SAFETY WARNINGS

Cordless cleaner safety warnings

⚠ WARNING: IMPORTANT! READ CAREFULLY all safety warnings and all instructions BEFORE USE. Failure to follow the warnings and instructions may result in electric shock, fire and/or serious injury.

1. Do not expose to rain. Store indoors.
2. Do not allow to be used as a toy. Close attention is necessary when used by or near children.
3. Use only as described in this manual. Use only manufacturer's recommended attachments.
4. Do not use with damaged battery. If appliance is not working as it should, has been dropped, damaged, left outdoors, or dropped into water, return it to a service center.
5. Do not use appliance with wet hands.
6. Do not put any object into openings. Do not use with any opening blocked; keep free of dust, lint, hair, and anything that may reduce air flow.
7. Keep hair, loose clothing, fingers, and all parts of body away from openings and moving parts.
8. Turn off all controls before removing the battery.
9. Use extra care when cleaning on stairs.
10. Do not use to pick up flammable or combustible liquids, such as gasoline, or use in areas where they may be present.
11. Use only the charger supplied by the manufacturer to recharge.
12. Do not pick up anything that is burning or smoking, such as cigarettes, matches, or hot ashes.
13. Do not use without dust bag and/or filters in place.
14. Do not charge the battery outdoors.
15. Recharge only with the charger specified by the manufacturer. A charger that is suitable for one type of battery pack may create a risk of fire when used with another battery pack.
16. Use power tools only with specifically designated battery packs. Use of any other battery packs may create a risk of injury and fire.
17. When (the) battery pack is not in use, keep it away from other metal objects, like paper clips, coins, keys, nails, screws or other small metal objects, that can make a connection from one terminal to another.
18. Under abusive conditions, liquid may be ejected from the battery; avoid contact. If contact accidentally occurs, flush with water.
19. Do not use a battery pack or tool that is damaged or modified. Damaged or modified batteries may exhibit unpredictable behaviour resulting in fire, explosion or risk of injury.

20. Do not expose a battery pack or tool to fire or excessive temperature. Exposure to fire or temperature above 130 °C may cause explosion.
21. Follow all charging instructions and do not charge the battery pack or tool outside the temperature range specified in the instructions. Charging improperly or at temperatures outside the specified range may damage the battery and increase the risk of fire.

SAVE THESE INSTRUCTIONS.

ADDITIONAL SAFETY RULES

This appliance is intended for household use.

1. Read this instruction manual and the charger instruction manual carefully before use.
2. Do not pick up the following materials:
 - Hot materials such as lit cigarettes or spark/metal dust generated by grinding/cutting metal
 - Flammable materials such as gasoline, thinner, benzine, kerosene or paint
 - Explosive materials like nitroglycerin
 - Ignitable materials such as Aluminum, zinc, magnesium, titanium, phosphorus or celluloid
 - Wet dirt, water, oil or the like
 - Hard pieces with sharp edges, such as wood chips, metals, stones, glasses, nails, pins or razors
 - Powder to clot such as cement or toner
 - Conductive dust such as metal or carbon
 - Fine particle like concrete dustSuch action may cause fire, injury and/or property damage.
3. Stop operation immediately if you notice anything abnormal.
4. If you drop or strike the cleaner, check it carefully for cracks or damage before operation.
5. Do not bring close to stoves or other heat sources.
6. Do not block the intake hole or vent holes.

SAVE THESE INSTRUCTIONS.

Important safety instructions for battery cartridge

1. Before using battery cartridge, read all instructions and cautionary markings on (1) battery charger, (2) battery, and (3) product using battery.
2. Do not disassemble battery cartridge.
3. If operating time has become excessively shorter, stop operating immediately. It may result in a risk of overheating, possible burns and even an explosion.
4. If electrolyte gets into your eyes, rinse them out with clear water and seek medical attention right away. It may result in loss of your eyesight.

5. **Do not short the battery cartridge:**
 - (1) **Do not touch the terminals with any conductive material.**
 - (2) **Avoid storing battery cartridge in a container with other metal objects such as nails, coins, etc.**
 - (3) **Do not expose battery cartridge to water or rain.**

A battery short can cause a large current flow, overheating, possible burns and even a breakdown.
6. **Do not store the tool and battery cartridge in locations where the temperature may reach or exceed 50 °C (122 °F).**
7. **Do not incinerate the battery cartridge even if it is severely damaged or is completely worn out. The battery cartridge can explode in a fire.**
8. **Be careful not to drop or strike battery.**
9. **Do not use a damaged battery.**
10. **The contained lithium-ion batteries are subject to the Dangerous Goods Legislation requirements.**

For commercial transports e.g. by third parties, forwarding agents, special requirement on packaging and labeling must be observed. For preparation of the item being shipped, consulting an expert for hazardous material is required. Please also observe possibly more detailed national regulations.

Tape or mask off open contacts and pack up the battery in such a manner that it cannot move around in the packaging.

11. **Follow your local regulations relating to disposal of battery.**
12. **Use the batteries only with the products specified by Makita.** Installing the batteries to non-compliant products may result in a fire, excessive heat, explosion, or leak of electrolyte.

SAVE THESE INSTRUCTIONS.

⚠ CAUTION: Only use genuine Makita batteries. Use of non-genuine Makita batteries, or batteries that have been altered, may result in the battery bursting causing fires, personal injury and damage. It will also void the Makita warranty for the Makita tool and charger.

Tips for maintaining maximum battery life

1. **Charge the battery cartridge before completely discharged. Always stop tool operation and charge the battery cartridge when you notice less tool power.**
2. **Never recharge a fully charged battery cartridge. Overcharging shortens the battery service life.**
3. **Charge the battery cartridge with room temperature at 10 °C - 40 °C (50 °F - 104 °F). Let a hot battery cartridge cool down before charging it.**
4. **Charge the battery cartridge if you do not use it for a long period (more than six months).**

FUNCTIONAL DESCRIPTION

⚠ CAUTION: Always be sure that the tool is switched off and the battery cartridge is removed before adjusting or checking function on the tool.

⚠ CAUTION: Take care not to trap finger(s) between cleaner and battery as shown in diagram when loading battery. Trapping finger(s) may cause injury.

► Fig.1

Installing or removing battery cartridge

⚠ CAUTION: Always switch off the tool before installing or removing of the battery cartridge.

⚠ CAUTION: Hold the tool and the battery cartridge firmly when installing or removing battery cartridge. Failure to hold the tool and the battery cartridge firmly may cause them to slip off your hands and result in damage to the tool and battery cartridge and a personal injury.

► Fig.2: 1. Red indicator 2. Button 3. Battery cartridge

To remove the battery cartridge, slide it from the tool while sliding the button on the front of the cartridge.

To install the battery cartridge, align the tongue on the battery cartridge with the groove in the housing and slip it into place. Insert it all the way until it locks in place with a little click. If you can see the red indicator on the upper side of the button, it is not locked completely.

⚠ CAUTION: Always install the battery cartridge fully until the red indicator cannot be seen. If not, it may accidentally fall out of the tool, causing injury to you or someone around you.

⚠ CAUTION: Do not install the battery cartridge forcibly. If the cartridge does not slide in easily, it is not being inserted correctly.

Battery protection system

The tool is equipped with a tool/battery protection system. This system automatically cuts off power to the motor to extend tool and battery life. The tool will automatically stop during operation if the tool or battery is placed under one of the following conditions.

Overloaded:

The tool is operated in a manner that causes it to draw an abnormally high current. In this situation, turn the tool off and stop the application that caused the tool to become overloaded. Then turn the tool on to restart.

If the tool does not start, the battery is overheated. In this situation, let the battery cool before turning the tool on again.

Low battery voltage:

The remaining battery capacity is too low and the tool will not operate. In this situation, remove and recharge the battery.

Indicating the remaining battery capacity

Only for battery cartridges with the indicator

► Fig.3: 1. Indicator lamps 2. Check button

Press the check button on the battery cartridge to indicate the remaining battery capacity. The indicator lamps light up for a few seconds.

Indicator lamps			Remaining capacity
Lighted	Off	Blinking	
■	□	▧	75% to 100%
■	■	■	
■	■	□	
■	■	□	
■	□	□	50% to 75%
■	□	□	25% to 50%
■	□	□	0% to 25%
▧	□	□	Charge the battery.
■	■	□	The battery may have malfunctioned.
□	□	■	

NOTE: Depending on the conditions of use and the ambient temperature, the indication may differ slightly from the actual capacity.

Switch action

► Fig.4: 1. ON/speed change button 2. OFF button

To start the cleaner, simply push the ON/speed change button. To switch off, push the OFF button.

You can change the cleaner speed in three steps by pushing the ON/speed change button.

The first push on this button is for high speed mode, the second push for max speed mode and the third push for normal speed mode. Each push on this button repeats the high/max/normal speed cycle alternatively.

Lighting up the lamp

CAUTION: Do not look in the light or see the source of light directly.

To turn on the lamp, push the ON/speed change button. Push the OFF button to turn off the lamp. During the tool actuating, the lamp turns on. When the remaining battery capacity gets low, the lamp starts blinking.

► Fig.5: 1. ON/speed change button 2. OFF button 3. Lamp

NOTE: The timing, at which the lamp starts blinking, depends on the temperature at work place and the battery cartridge conditions.

ASSEMBLY

CAUTION: Always be sure that the tool is switched off and the battery cartridge is removed before carrying out any work on the tool.

Parts description

Optional accessory

High performance filter and stay and sponge filter

► Fig.6: 1. Capsule 2. High performance filter 3. Stay and sponge filter

Prefilter or high performance filter and HEPA filter

► Fig.7: 1. Capsule 2. Prefilter 3. High performance filter 4. HEPA filter

NOTICE: Do not use the high performance filter with the filter (optional accessory). The high performance filter may become unremovable from the cleaner.

NOTE: When using the optional prefilter and filter with the HEPA filter, use only the prefilter over the HEPA filter. If you use prefilter and filter with the HEPA filter at the same time, the suction power may be reduced.

NOTE: When using the HEPA filter with the high performance filter, use the high performance filter with the stay.

► Fig.8: 1. Stay

Disposing of dust

CAUTION: Empty the cleaner before it becomes too full, or the suction force weakens.

CAUTION: Be sure to empty the inside of the cleaner itself of dust. Failure to do so may cause the filter to be clogged or the motor to be damaged.

In order to drop dust sticking on the filter in the capsule, tap the capsule 4 or 5 times with your hand.

► Fig.9: 1. Capsule 2. Suction inlet

Point suction inlet downwards, turn capsule in direction of arrow in diagram, and disconnect capsule slowly and straight.

► Fig.10: 1. Capsule 2. Suction inlet

NOTE: Dust may spill out when capsule is opened, so be sure to set a garbage bag beneath capsule.

Remove accumulated dust from the inside of capsule and high performance filter.

► Fig.11: 1. Capsule 2. High performance filter

Twist high performance filter in direction of arrow to unfasten securing lip from cleaner unit and then pull off the filter.

► Fig.12: 1. Securing lip

NOTE: When using the prefilter, also follow the procedure above.

Clean out the fine dust and lightly tap to dislodge dust from high performance filter.

Reassembly

Connect high performance filter. At this time, make sure to twist high performance filter so that securing lip is firmly locked into the cleaner unit.

► **Fig.13:** 1. High performance filter

► **Fig.14:** 1. Securing lip

NOTICE: Always be sure to check that high performance filter is loaded correctly prior to using cleaner. If they are not loaded correctly, dust will get into the motor housing, and cause motor failure. If the problem as described later occurs, high performance filter is not loaded correctly. Reload them correctly to rectify problem.

Attach the capsule. Align the mark on capsule with the mark on the handle and then firmly twist capsule in the direction of arrow until it is secured.

► **Fig.15:** 1. Mark 2. Handle 3. Capsule

NOTE: Always remove dust ahead of time, as suction power will be reduced if there is too much dust in cleaner.

Problem Examples

The securing lip of high performance filter is not firmly locked into groove of cleaner housing.

► **Fig.16:** 1. Securing lip 2. Groove of cleaner housing

Installing or removing stay / HEPA filter

Optional accessory

For the stay and sponge filter

To remove the stay, push up the bottom part of pillars of the stay with your fingers and release its groove from the protrusion on the cleaner. After that, remove the sponge filter.

► **Fig.17:** 1. Stay 2. Sponge filter

To install, align the grooves on the stay with the protrusion on the cleaner and push until it clicks.

Insert the sponge filter between the pillars and set it in the original position.

For the HEPA filter

When installing the HEPA filter, fit the groove of the HEPA filter with the protrusion on the cleaner. Then, put the prefilter or the high performance filter on the HEPA filter and twist it to secure. To remove, follow the installation procedure in reverse.

► **Fig.18:** 1. HEPA filter 2. Prefilter

► **Fig.19:** 1. HEPA filter 2. High performance filter

OPERATION

CAUTION: Do not move your face close to the air vent when operating the cleaner. If foreign objects are blown into eyes, it may result in personal injury.

Installing or removing the cleaner attachment

CAUTION: After installing attachment, check if it is securely installed. If the attachment is installed imperfectly, it may come off and cause personal injury.

CAUTION: Be careful not to hit your hand on the wall etc. when removing the attachment.

When using the extension wand with lock function

To install the extension wand, insert it to the suction inlet of the cleaner until it clicks. Make sure that the extension wand is locked.

► **Fig.20:** 1. Suction inlet 2. Extension wand 3. Hook

NOTE: When installing the extension wand, be sure to align the release button with the hook on the extension wand. If they are not aligned, the wand will not be locked and may come off from the cleaner.

NOTE: When installing the extension wand without lock function (optional accessory), twist and insert it to the suction inlet of the cleaner in direction of the arrow. To disconnect, twist and remove it also in direction of the arrow.

► **Fig.21**

To remove, pull the extension wand while pushing the release button.

► **Fig.22:** 1. Release button 2. Extension wand

When using the nozzle

CAUTION: To connect the nozzle, twist and insert it in direction of the arrow to secure the connection during use. To disconnect the attachment, twist and extract it also in direction of the arrow. If the nozzle is twisted in the opposite direction, the capsule may become loose.

To install the nozzle, twist and insert it securely to the suction inlet of the cleaner or the end of extension wand. To disconnect, twist and remove it.

► **Fig.23**

Cleaning (Suction)

Nozzle

Attach the nozzle to clean off tables, desks, furniture, etc. The nozzle slips on easily.

► Fig.24: 1. Nozzle

Nozzle + Extension wand (Straight pipe)

The extension wand fits in between the nozzle and the cleaner itself. This arrangement is convenient for cleaning a floor in a standing position.

► Fig.25: 1. Cleaner body 2. Extension wand
3. Nozzle

Corner nozzle

Fit on the corner nozzle for cleaning corners and crevices of a car or furniture.

► Fig.26: 1. Corner nozzle 2. Cleaner body

Corner nozzle + Extension wand (Straight pipe)

In tight quarters where the cleaner itself cannot squeeze in, or in high places hard to reach, use this arrangement.

► Fig.27: 1. Corner nozzle 2. Extension wand
3. Cleaner body

Cleaning without nozzle

You can pick up powder and dust without nozzle.

► Fig.28

For picking up dust on a floor in a standing position, it is convenient to attach the extension wand to the cleaner.

► Fig.29: 1. Extension wand

MAINTENANCE

CAUTION: Always be sure that the tool is switched off and the battery cartridge is removed before attempting to perform inspection or maintenance.

To maintain product SAFETY and RELIABILITY, repairs, any other maintenance or adjustment should be performed by Makita Authorized or Factory Service Centers, always using Makita replacement parts.

After use

NOTICE: Putting the cleaner against the wall without any other support cause the cleaner to fall down and be damaged.

► Fig.30

Cleaning

NOTICE: Never use gasoline, benzine, thinner, alcohol or the like. Discoloration, deformation or cracks may result.

NOTICE: Do not blow dust sticking on the cleaner and filters by air duster. It brings dust into the housing and causes failure.

NOTICE: After washing filters, dry them thoroughly before use. Insufficiently dried filters may cause poor suction and shorten the service life of the motor.

NOTICE: After cleaning filters and sponge filter, be sure to re-install them before use. If you use the cleaner without filters and sponge filter, dust comes into the motor housing and cause malfunction.

Cleaner body

From time to time wipe off the outside (cleaner body) of the cleaner using a cloth dampened in soapy water. Clean out also the suction opening and filter mounting area.

► Fig.31

High performance filter

Wash the filter in soapy water when it is clogged with dust and the cleaner power becomes weak. Dry it out thoroughly before use.

► Fig.32

HEPA filter

Optional accessory

NOTICE: Do not rub or scratch the HEPA filter with hard objects such as a brush and a paddle.

Clogged HEPA filter cause poor suction performance. Clean out the filter from time to time.

Occasionally wash the HEPA filter in water, rinse and dry thoroughly in the shade before use. Never wash the filter in a washing machine.

► Fig.33

Sponge filter

When the sponge filter becomes dirty, clean it as follows.

1. Remove the filter.
2. Pull out the sponge filter from between the pillars.
3. Clean the sponge filter by tapping or washing. If you wash it, dry it out thoroughly before use.
4. Insert the sponge filter between the pillars and set it in the original position. Make sure that each bottom edge of the pillar holds down the sponge filter, and there is no gap between the sponge filter and suction opening.

► Fig.34: 1. Sponge filter 2. Bottom edge of pillar

Wall mount for cordless cleaner

Optional accessory

NOTE: The screw to mount the holder is not included. Prepare a screw which fits with the material to screw into.

Attach the wall mount for cordless cleaner to a hard wooden wall, beam or column, where the wall mount for cordless cleaner can be firmly secured. Always be sure that the wall mount for cordless cleaner is securely attached before hanging the cleaner.

► **Fig.35:** 1. Wall mount for cordless cleaner

CAUTION: Do not hang the cleaner to the wall mount violently or hang other appliances than the cleaner.

Troubleshooting

Before asking for repairs, check the following points.

Symptom	Area to be investigated	Fixing method
Weak suction power	Is the capsule full of dust?	Empty the capsule of dust.
	Is the filter clogged?	Clean or wash the filter.
	Is the battery cartridge exhausted ?	Charge the battery cartridge.
Not working	Is the battery cartridge exhausted ?	Charge the battery cartridge.

CAUTION: Do not attempt to repair the cleaner by yourself.

OPTIONAL ACCESSORIES

CAUTION: These accessories or attachments are recommended for use with your Makita tool specified in this manual. The use of any other accessories or attachments might present a risk of injury to persons. Only use accessory or attachment for its stated purpose.

If you need any assistance for more details regarding these accessories, ask your local Makita Service Center.

- Extension wand (Straight pipe)
- Nozzle
- Nozzle for carpet
- Shelf brush
- Corner nozzle
- Round brush
- Flexible hose
- Filter
- Prefilter
- High performance filter
- HEPA filter
- Makita genuine battery and charger
- Free nozzle
- Seat nozzle
- Crevice nozzle
- Wall mount for cordless cleaner

NOTE: Some items in the list may be included in the tool package as standard accessories. They may differ from country to country.

OSTRZEŻENIE

Niniejsze urządzenie może być użytkowane przez dzieci w wieku powyżej 8 lat oraz przez osoby niebędące w pełni władz fizycznych, poznawczych i umysłowych lub nieposiadające doświadczenia ani wiedzy, o ile osoba odpowiedzialna za ich bezpieczeństwo zapewni odpowiedni nadzór i przekaze wskazówki dotyczące użytkowania urządzenia oraz zagrożeń z nimi związanych. Urządzenie nie jest przeznaczone do zabawy nim przez dzieci. Czyszczenie oraz konserwacja nie mogą być przeprowadzane przez dzieci bez nadzoru.

DANE TECHNICZNE

Model:		DCL281F
Pojemność		750 ml
Użytkowanie ciągłe (z akumulatorem BL1830B)	1 (tryb normalnej prędkości)	Ok. 50 min
	2 (tryb wysokiej prędkości)	Ok. 20 min
	3 (tryb maks. prędkości)	Ok. 15 min
Długość całkowita		1 016 mm
Napięcie znamionowe		Prąd stały 18 V
Masa netto		1,2 – 1,6 kg

- W związku ze stale prowadzonym przez naszą firmę programem badawczo-rozwojowym niniejsze dane mogą ulec zmianom bez wcześniejszego powiadomienia.
- Dane techniczne mogą różnić się w zależności od kraju.
- Waga nie uwzględnia akcesoriów (oprócz akumulatorów). Wagi najlżejszych i najcięższych kombinacji urządzenia z akumulatorami przedstawiono w tabeli.

Kompatybilne akumulatory i ładowarki

Akumulator	BL1815N / BL1820 / BL1820B / BL1830 / BL1830B / BL1840 / BL1840B / BL1850 / BL1850B / BL1860B
Ładowarka	DC18RC / DC18RD / DC18RE / DC18SD / DC18SE / DC18SF

- Pewne z wymienionych powyżej akumulatorów i ładowarek mogą być niedostępne w regionie zamieszkania użytkownika.

⚠ OSTRZEŻENIE: Należy używać wyłącznie akumulatorów i ładowarek wymienionych powyżej. Używanie innych akumulatorów i ładowarek może stwarzać ryzyko wystąpienia obrażeń ciała lub pożaru.

Symbol

Poniżej pokazano symbole zastosowane na urządzeniu. Przed rozpoczęciem użytkowania należy zapoznać się z ich znaczeniem.



Przeczytać instrukcję obsługi.



Dotyczy tylko państw UE
Nie wyrzucać urządzeń elektrycznych ani akumulatorów wraz z odpadami z gospodarstwa domowego! Zgodnie z dyrektywami europejskimi w sprawie zużytego sprzętu elektrycznego i elektronicznego oraz baterii i akumulatorów oraz zużytych baterii i akumulatorów, a także dostosowaniem ich do prawa krajowego, zużyte urządzenia elektryczne, baterie i akumulatory należy składować osobno i przekazywać do zakładu recyklingu działającego zgodnie z przepisami dotyczącymi ochrony środowiska.

Przeznaczenie

To narzędzie jest przeznaczone do odsysania suchego pyłu.

OSTRZEŻENIA DOTYCZĄCE BEZPIECZEŃSTWA

Ostrzeżenia dotyczące bezpieczeństwa dla odkurzacza akumulatorowego

⚠ OSTRZEŻENIE: WAŻNE! UWAŻNIE PRZECZYTAĆ wszystkie zasady bezpieczeństwa i zalecenia **PRZED UŻYCIEM**. Niezastosowanie się do wspomnianych ostrzeżeń i instrukcji może doprowadzić do porażenia prądem elektrycznym, pożaru i/lub poważnych obrażeń ciała.

1. Należy chronić przed deszczem. Przechowywać w pomieszczeniu.
2. Nie pozwalać dzieciom bawić się urządzeniem. Należy zachować szczególną ostrożność, kiedy odkurzacz jest używany w pobliżu lub przez dzieci.
3. Używać tylko zgodnie z niniejszą instrukcją. Należy używać tylko akcesoriów zalecanych przez producenta.
4. Nie używać urządzenia z uszkodzonym akumulatorem. Jeśli urządzenie nie działa prawidłowo, zostało upuszczone, uszkodzone, pozostawione na zewnątrz lub wpadło do wody, należy je oddać do punktu serwisowego.
5. Nie wolno obsługiwać urządzenia mokrymi dłońmi.
6. Nie wkładać żadnych przedmiotów w otwory urządzenia. Nie używać urządzenia z zablokowanymi otworami; usuwać pył, kłaczki, włosy i wszystko, co może ograniczyć przepływ powietrza.
7. Nie zbliżać włosów, luźnej odzieży, palców ani innych części ciała do otworów i ruchomych części.
8. Przed wyjęciem akumulatora należy wyłączyć wszystkie elementy sterowania.
9. Zachować szczególną ostrożność podczas sprzątania na schodach.
10. Nie używać do zbierania palnych lub łatwopalnych cieczy, takich jak benzyna, ani nie używać w miejscach, gdzie mogą występować.
11. Akumulator należy ładować wyłącznie przy użyciu ładowarki dostarczonej przez producenta.
12. Nie zbierać niczego, co się pali lub dymi, na przykład papierosów, zapalek lub gorącego popiołu.
13. Nie używać bez założonych filtrów i/lub worka na pył.

14. Nie ładować akumulatora na zewnątrz.
15. Akumulator należy ładować wyłącznie przy użyciu określonej przez producenta ładowarki. Ładowarka przeznaczona do jednego typu akumulatora może stwarzać zagrożenie pożarem, gdy będzie używana do ładowania innego akumulatora.
16. Do zasilania elektronarzędzi używać tylko specjalnie do tego celu przeznaczonych akumulatorów. Używanie innych akumulatorów może stwarzać ryzyko wystąpienia obrażeń ciała lub pożaru.
17. Gdy akumulator nie jest używany, należy zabezpieczyć go przed kontaktem z metalowymi przedmiotami, takimi jak spinacze, monety, klucze, gwoździe, wkręty lub inne metalowe drobiazgi, które mogą powodować zwarcie styków akumulatora.
18. W niewłaściwych warunkach eksploatacji może dojść do wycieku elektrolitu z akumulatora. Nie należy go dotykać. W razie przypadkowego kontaktu należy przemyć skażoną skórę wodą.
19. Nie używać uszkodzonego lub przerobionego akumulatora ani narzędzia. Uszkodzone lub przerobione akumulatory mogą działać w nieprzewidywalny sposób i spowodować pożar, wybuch lub obrażenia ciała.
20. Nie wystawiać akumulatora ani narzędzia na działanie ognia ani nadmiernej temperatury. Narażenie na ogień lub temperaturę wyższą niż 130°C może spowodować wybuch.
21. Przestrzegać wszystkich instrukcji ładowania i nie ładować akumulatora ani narzędzia w temperaturze wykraczającej poza zakres określony w instrukcji. Nieprawidłowe ładowanie lub temperatury wykraczająca poza określony zakres mogą spowodować uszkodzenie akumulatora oraz wzrost zagrożenia pożarem.

ZACHOWAĆ NINIEJSZĄ INSTRUKCJĘ.

DODATKOWE ZALECENIA DOTYCZĄCE BEZPIECZEŃSTWA

Urządzenie jest przeznaczone do zastosowań domowych.

1. Przed rozpoczęciem pracy przeczytaj dokładnie niniejszy podręcznik obsługi oraz podręcznik obsługi ładowarki.
2. Nie wciągać do urządzenia następujących materiałów:
 - substancji gorących, takich jak zapalony papieros czy iskry/opilki powstające w wyniku szlifowania/cięcia metalu
 - substancji łatwopalnych, takich jak paliwo, rozpuszczalniki, benzyna, nafta lub farby
 - materiałów wybuchowych, jak nitrogliceryna
 - substancji zapalnych, takich jak aluminium, cynk, magnez, tytan, fosfor czy celulozoid

- błota, wody, oleju itp.
- elementów twardych o ostrych brzegach, takich jak wióry, metale, kamienie, szkło, gwoździe, kołki czy żyłteki
- drobnych pyłów, takich jak cement czy toner drukarki
- substancji przewodzących, takich jak opiłki żelaza czy pył węglowy
- drobnych cząstek, takich jak pył betonowy

Takie działania mogą spowodować pożar, obrażenia ciała i/lub straty materialne.

3. Natychmiast przerwać pracę po zauważeniu jakiegokolwiek nieprawidłowości.
4. Kiedy odkurzacz zostanie upuszczony lub uderzony, to przed uruchomieniem należy sprawdzić, czy nie jest uszkodzony, pęknięty itd.
5. Nie należy go zbliżać do pieców ani innych źródeł ciepła.
6. Nie wolno zakrywać otworu wlotowego ani otworów wentylacyjnych.

ZACHOWAĆ NINIEJSZĄ INSTRUKCJĘ.

Ważne zasady bezpieczeństwa dotyczące akumulatora

1. Przed użyciem akumulatora zapoznać się ze wszystkimi instrukcjami i znakami ostrzegawczymi na (1) ładowarce, (2) akumulatorze i (3) produkcie, w którym będzie używany akumulator.
2. Akumulatora nie wolno rozbierać.
3. Jeśli czas działania uległ znacznemu skróceniu, należy natychmiast przerwać pracę. Może bowiem dojść do przegrzania, ewentualnych poparzeń, a nawet eksplozji.
4. W przypadku przedostania się elektrolitu do oczu, przemyć je czystą wodą i niezwłocznie uzyskać pomoc lekarską. Może on bowiem spowodować utratę wzroku.
5. Nie doprowadzać do zwarcia akumulatora:
 - (1) Nie dotykać styków materiałami przewodzącymi prąd.
 - (2) Unikać przechowywania akumulatora w pojemniku z metalowymi przedmiotami, takimi jak gwoździe, monety itp.
 - (3) Chronić akumulator przed deszczem lub wodą.

Zwarcie prowadzi do przepływu prądu elektrycznego o dużym natężeniu i przegrzania akumulatora, co w konsekwencji może grozić poparzeniami a nawet awarią urządzenia.
6. Narzędzia i akumulatora nie wolno przechowywać w miejscach, w których temperatura osiąga bądź przekracza 50°C (122°F).
7. Akumulatorów nie wolno spalać, również tych poważnie uszkodzonych lub całkowicie zużytych. Akumulator może eksplodować w ogniu.
8. Chronić akumulator przed upadkiem i uderzeniami.
9. Nie wolno używać uszkodzonego akumulatora.

10. **Stanowiące wyposażenie akumulatory lito-wonowe podlegają przepisom dotyczącym produktów niebezpiecznych.**
Na potrzeby transportu komercyjnego, np. świadczonego przez firmy trzecie czy spedycyjne, należy przestrzegać specjalnych wymagań w zakresie pakowania i oznaczania etykietami. Przygotowanie produktu do wysyłki wymaga skonsultowania się ze specjalistą ds. materiałów niebezpiecznych. Należy także przestrzegać przepisów krajowych, które mogą być bardziej szczegółowe.
Zakleić taśmą lub zaślepić otwarte styki akumulatora oraz zabezpieczyć go, aby nie mógł się przesuwać w opakowaniu.
11. **Postępować zgodnie z przepisami lokalnymi dotyczącymi usuwania akumulatorów.**
12. **Używać akumulatorów tylko z produktami określonymi przez firmę Makita.** Zastosowanie akumulatorów w niezgodnych produktach może spowodować pożar, przegrzanie, wybuch lub wyciek elektrolitu.

ZACHOWAĆ NINIEJSZE INSTRUKCJE.

▲PRZESTROGA: Używać wyłącznie oryginalnych akumulatorów firmy Makita. Używanie nieoryginalnych akumulatorów firm innych niż Makita lub akumulatorów, które zostały zmodyfikowane, może spowodować wybuch akumulatora i pożar, obrażenia ciała oraz zniszczenie mienia. Stanowi to również naruszenie warunków gwarancji firmy Makita dotyczących narzędzia i ładowarki.

Wskazówki dotyczące zachowania maksymalnej trwałości akumulatora

1. Akumulator należy naładować zanim zostanie do końca rozładowany. Po zauważeniu spadku mocy narzędzia należy przerwać pracę i naładować akumulator.
2. Nie wolno ładować powtórnie w pełni naładowanego akumulatora. Przeladowanie akumulatora skraca jego trwałość.
3. Akumulator należy ładować w temperaturze pokojowej w przedziale 10–40°C (50–104°F). W przypadku gorącego akumulatora przed przystąpieniem do ładowania należy poczekać, aż ostygnie.
4. Akumulatory niklowo-wodorkowe należy naładować po okresie długiego nieużytkowania (dłuższego niż sześć miesięcy).

OPIS DZIAŁANIA

▲PRZESTROGA: Przed przystąpieniem do regulacji lub przeglądu narzędzia upewnić się, że jest ono wyłączone, a akumulator został wyjęty.

▲PRZESTROGA: Należy uważać, aby palce nie uwięzły pomiędzy korpusem odkurzacza a akumulatorem podczas ładowania akumulatora, jak pokazano na ilustracji. Grozi to zranieniem.

► Rys.1

Wkładanie i wyjmowanie akumulatora

▲PRZESTROGA: Przed włożeniem lub wyjęciem akumulatora należy zawsze wyłączyć narzędzie.

▲PRZESTROGA: Podczas wkładania lub wyjmowania akumulatora należy mocno trzymać narzędzie i akumulator. W przeciwnym razie mogą się one wyslizgnąć z ręk, powodując uszkodzenie narzędzia lub akumulatora i obrażenia ciała.

► Rys.2: 1. Czerwony wskaźnik 2. Przycisk 3. Akumulator

Aby wyjąć akumulator, przesuń przycisk znajdujący się w przedniej jego części i wysuń akumulator.

Aby włożyć akumulator, wyrównaj występ na akumulato-
rze z rowkiem w obudowie i wsuń go na swoje miejsce. Akumulator należy wsunąć do oporu, aż się zatrzaśnie na miejscu, co jest sygnalizowane delikatnym kliknięciem. Jeśli w górnej części przycisku jest widoczny czerwony wskaźnik, akumulator nie został całkowicie zatrzaśnięty.

▲PRZESTROGA: Akumulator należy włożyć do końca, tak aby czerwony wskaźnik nie był widoczny. W przeciwnym razie może przypadkowo wypaść z narzędzia, powodując obrażenia operatora lub osób postronnych.

▲PRZESTROGA: Nie wkładaj akumulatora na siłę. Jeśli akumulator nie daje się swobodnie wsunąć, oznacza to, że został włożony nieprawidłowo.

Układ zabezpieczenia akumulatora

Narzędzie jest wyposażone w układ zabezpieczenia narzędzia/akumulatora. Układ automatycznie odcina zasilanie silnika w celu wydłużenia trwałości narzędzia i akumulatora. Narzędzie zostanie automatycznie zatrzymane podczas pracy w następujących sytuacjach związanych z narzędziem lub akumulatorem.

Przeciążenie:

Narzędzie pracuje w sposób, który powoduje pobór nadmiernie wysokiego prądu.

W takiej sytuacji należy wyłączyć narzędzie i zaprzestać wykonywania czynności powodującej przeciążenie narzędzia. Następnie należy włączyć narzędzie w celu jego ponownego uruchomienia.

Jeśli narzędzie nie uruchomi się, oznacza to, że akumulator jest przegrzany. W takiej sytuacji, przed ponownym uruchomieniem narzędzia należy odczekać, aż akumulator ostygnie.

Niskie napięcie akumulatora:






















Poziom naładowania akumulatora jest zbyt niski, aby narzędzie mogło pracować. W takiej sytuacji należy wyjąć akumulator i go naładować.

Wskazanie stanu naładowania akumulatora

Tylko w przypadku akumulatorów ze wskaźnikami

► Rys.3: 1. Lampki wskaźnika 2. Przycisk kontrolny

Nacisnąć przycisk kontrolny na akumulato-
rze w celu wyświetlenia stanu naładowania akumulatora. Lampki wskaźnika zaświecą się przez kilka sekund.

Lampki wskaźnika			Pozostała energia akumulatora
Świeci się	Wyłączony	Miga	
			75–100%
			50–75%
			25–50%
			0–25%
			Naładować akumulator.
			Akumulator może nie działać poprawnie.
			

WSKAZÓWKA: Zależnie od warunków użytkowania i temperatury otoczenia, wskazywany poziom może nieznacznie się różnić od rzeczywistego stanu naładowania akumulatora.

Działanie przełącznika

► Rys.4: 1. Przycisk WŁ./zmiany prędkości
2. Przycisk WYŁ.

Aby uruchomić odkurzacz, wystarczy nacisnąć przycisk WŁ./zmiany prędkości. Aby go wyłączyć, należy nacisnąć przycisk WYŁ.

Prędkość odkurzacza można ustawić na trzech poziomach za pomocą przycisku WŁ./zmiany prędkości. Pierwsze naciśnięcie tego przycisku wybiera tryb wysokiej prędkości, drugie naciśnięcie wybiera tryb maks. prędkości, a trzecie naciśnięcie przywraca normalną prędkość. Każde naciśnięcie tego przycisku powtarza kolejność włączania wysokiej/maks./normalnej prędkości.

Włączanie lampki

▲PRZESTROGA: Nie patrzeć na światło ani bezpośrednio na źródło światła.

Aby włączyć lampkę, należy nacisnąć przycisk WŁ./zmiany prędkości. Aby wyłączyć lampkę, należy nacisnąć przycisk WYŁ. Podczas uruchamiania narzędzia lampka się świeci. W przypadku niskiego stanu naładowania akumulatora lampka zaczyna migać.

► Rys.5: 1. Przycisk WŁ./zmiany prędkości
2. Przycisk WYŁ. 3. Lampka

WSKAZÓWKA: Moment, gdy lampka zaczyna migać, zależy od temperatury w miejscu pracy oraz od stanu akumulatora.

MONTAŻ

▲PRZESTROGA: Przed przystąpieniem do prac konserwacyjnych przy narzędziu upewnić się, że jest ono wyłączone, a akumulator został wyjęty.

Opis części

Akcesoria opcjonalne

Filtr o wysokiej wydajności i filtr z gąbki z usztywnieniem

► **Rys.6:** 1. Kapsuła 2. Filtr o wysokiej wydajności
3. Filtr z gąbki z usztywnieniem

Filtr wstępny lub filtr o wysokiej wydajności i filtr HEPA

► **Rys.7:** 1. Kapsuła 2. Filtr wstępny 3. Filtr o wysokiej wydajności 4. Filtr HEPA

UWAGA: Nie używać filtra o wysokiej wydajności w połączeniu z filtrem (wyposażenie opcjonalne). Wyjęcie filtra o wysokiej wydajności z odkurzacza może być niemożliwe.

WSKAZÓWKA: W przypadku użycia opcjonalnego filtra wstępnego i filtra z filtrem HEPA, na filtrze HEPA należy umieścić tylko filtr wstępny. Użycie jednocześnie filtra wstępnego i filtra z filtrem HEPA może spowodować ograniczenie siły ssania.

WSKAZÓWKA: W przypadku użycia filtra HEPA z filtrem o wysokiej wydajności należy użyć filtra o wysokiej wydajności z usztywnieniem.

► **Rys.8:** 1. Usztywnienie

Usuwanie kurzu

▲PRZESTROGA: Odkurzacz należy opróżnić, zanim się zbytnio napełni. W przeciwnym razie moc ssania będzie obniżona.

▲PRZESTROGA: Należy opróżnić z kurzu wewnętrzny odkurzacz. Niestosowanie się do tego zalecenia może spowodować zatkanie filtra i uszkodzenie silnika.

Aby usunąć kurz, który przyczepił się do filtra w kapsule, należy 4 lub 5 razy postukać dłońią w kapsułę.

► **Rys.9:** 1. Kapsuła 2. Otwór zasysania

Skierować otwór zasysania w dół, obrócić kapsułę w kierunku wskazywanym przez strzałkę na ilustracji i powoli odczepić kapsułę w linii prostej.

► **Rys.10:** 1. Kapsuła 2. Otwór zasysania

WSKAZÓWKA: Po otwarciu kapsuły kurz może się rozsypać, dlatego należy się upewnić, że pod kapsułą umieszczony został worek na śmieci.

Usunąć kurz i zabrudzenia nagromadzone w kapsule i filtry o wysokiej wydajności.

► **Rys.11:** 1. Kapsuła 2. Filtr o wysokiej wydajności

Obrócić filtr o wysokiej wydajności w kierunku wskazywanym przez strzałkę, aby odblokować zaczep zabezpieczający od odkurzacza, po czym pociągnąć za filtr, aby go odczepić.

► **Rys.12:** 1. Zaczep zabezpieczający

WSKAZÓWKA: W przypadku użycia filtra wstępnego również należy wykonać powyższą procedurę.

Oczyszczyć filtr o wysokiej wydajności z drobnych zanieczyszczeń, a następnie lekko w niego postukać, aby kurz opadł z filtra.

Ponowny montaż

Podłączyć filtr o wysokiej wydajności. Upewnić się, że filtr o wysokiej wydajności został obrócony w taki sposób, aby zaczep zabezpieczający zaskoczył w obudowie odkurzacza.

► **Rys.13:** 1. Filtr o wysokiej wydajności

► **Rys.14:** 1. Zaczep zabezpieczający

UWAGA: Przed użyciem odkurzacza zawsze należy sprawdzić, czy filtr o wysokiej wydajności został prawidłowo zamocowany. Jeżeli filtry nie zostaną prawidłowo zamocowane, kurz będzie przedostawał się do obudowy silnika i spowoduje jego awarię. Jeśli wystąpi któryś z problemów opisanych w dalszej części, oznacza to, że filtr o wysokiej wydajności nie został zamontowany prawidłowo. Aby usunąć problem, należy je zamontować jeszcze raz.

Zamocować kapsułę. Wyrównać symbol na kapsule z symbolem na uchwycie, po czym obracać kapsułę do oporu w kierunku wskazywanym przez strzałkę, aż do zablokowania.

► **Rys.15:** 1. Symbol 2. Uchwyt 3. Kapsuła

WSKAZÓWKA: Zawsze pamiętać o regularnym usuwaniu kurzu, gdyż w przypadku jego nadmiernego nagromadzenia siła ssania ulega zmniejszeniu.

Przykłady problemów

Zaczep zabezpieczający na filtrze o wysokiej wydajności nie jest prawidłowo zablokowany w rowku obudowy odkurzacza.

► **Rys.16:** 1. Zaczep zabezpieczający 2. Rowek obudowy odkurzacza

Zakładanie lub wyjmowanie usztywnienia/filtra HEPA

Akcesoria opcjonalne

W przypadku filtra z gąbki z usztywnieniem

Aby wyjąć usztywnienie, dolną część kolumny usztywnienia należy popchnąć palcami w górę i zwolnić rowek z wypustu w odkurzaczu. Następnie wyjąć filtr z gąbki.

► **Rys.17:** 1. Usztywnienie 2. Filtr z gąbki

Aby założyć, należy wyrównać rowki w usztywnieniu z wypustem w odkurzaczu i nacisnąć, tak aby było słyszalne kliknięcie.

Włożyć filtr z gąbki do kolumny i ułożyć w wyjściowym położeniu.

W przypadku filtra HEPA

Podczas zakładania filtra HEPA należy dopasować rowek filtra HEPA z wypustem w odkurzaczu. Następnie należy umieścić filtr wstępny lub filtr o wysokiej wydajności na filtrze HEPA i obrócić, aby go zamocować. Aby wyjąć, należy wykonać czynności procedury zakładania w odwrotnej kolejności.

► **Rys.18:** 1. Filtr HEPA 2. Filtr wstępny

► **Rys.19:** 1. Filtr HEPA 2. Filtr o wysokiej wydajności

OBSŁUGA

⚠ PRZESTROGA: Podczas pracy odkurzacza nie należy zbliżać twarzy do otworu wentylacyjnego. Wdmuchnięcie ciała obcych do oczu może skutkować obrażeniami.

Zakładanie i zdejmowanie przystawki odkurzacza

⚠ PRZESTROGA: Po założeniu przystawki sprawdzić, czy została dobrze zamocowana. Jeśli przystawka jest zamocowana nieprawidłowo, może się odcepić i spowodować obrażenia ciała.

⚠ PRZESTROGA: Podczas zdejmowania przystawki zachować ostrożność, aby nie uderzyć ręką np. o ścianę.

W przypadku użycia rury przedłużającej z funkcją blokady

Aby założyć rurę przedłużającą, należy wsunąć ją do otworu zasysania odkurzacza, tak aby było słychać kliknięcie. Upewnić się, że rura przedłużająca jest zablokowana.

► **Rys.20:** 1. Otwór zasysania 2. Rura przedłużająca 3. Zaczep

WSKAZÓWKA: Podczas zakładania rury przedłużającej należy dopasować przycisk zwalniający z zaczepem rury przedłużającej. Jeśli nie zostaną dopasowane, rura przedłużająca nie zostanie zablokowana i może wypaść z odkurzacza.

WSKAZÓWKA: Podczas zakładania rury przedłużającej bez funkcji blokady (wyposażenie opcjonalne) należy ją obrócić i włożyć do otworu zasysania w odkurzaczu w kierunku wskazanym strzałką. Aby odłączyć, należy ją obrócić i wyjąć również w kierunku wskazywanym przez strzałkę.

► **Rys.21**

Aby wyjąć, należy pociągnąć rurę przedłużającą, jednocześnie naciskając przycisk zwalniający.

► **Rys.22:** 1. Przycisk zwalniający 2. Rura przedłużająca

W przypadku użycia końcówki

⚠ PRZESTROGA: Aby podłączyć końcówkę, należy ją obrócić i wsunąć w kierunku wskazywanym przez strzałkę, dzięki czemu nie odłączy się podczas odkurzania. Aby odcepić przystawkę, należy ją obrócić i wyjąć również w kierunku wskazywanym przez strzałkę. W przypadku obrócenia końcówki w kierunku przeciwnym może dojść do obłuzowania kapsuły.

Aby zamocować końcówkę, należy ją obrócić i dokładnie wsunąć do otworu zasysania odkurzacza lub do końcówki rury przedłużającej. Aby ją odłączyć, należy ją przekręcić i wyjąć.

► **Rys.23**

Odkurzanie (ssanie)

Końcówka

Ta końcówka służy do odkurzania stołu, biurka, innych mebli itp. Końcówkę nasuwa się lekko.

► **Rys.24:** 1. Końcówka

Końcówka + rura przedłużająca (prosta)

Rurę przedłużającą zakłada się pomiędzy końcówką a sam odkurzacz. Ta kombinacja pozwala na wygodne odkurzanie podłogi na stojąco.

► **Rys.25:** 1. Korpus odkurzacza 2. Rura przedłużająca 3. Końcówka

Końcówka szczelinowa

Końcówka szczelinowa służy do czyszczenia zakamarków w samochodzie oraz mieszkaniu.

► **Rys.26:** 1. Końcówka szczelinowa 2. Korpus odkurzacza

Końcówka szczelinowa + rura przedłużająca (prosta)

Tę kombinację można stosować do odkurzania w miejscach ciasnych, gdzie nie zmieści się odkurzacza, albo położonych wysoko.

► **Rys.27:** 1. Końcówka szczelinowa 2. Rura przedłużająca 3. Korpus odkurzacza

Odkurzanie bez końcówki

Istnieje możliwość zbierania pyłu i kurzu bez końcówki.

► **Rys.28**

W celu zapewnienia wygody podczas zbierania kurzu w pozycji stojącej zaleca się zamocowanie do odkurzacza rury przedłużającej.

► **Rys.29:** 1. Rura przedłużająca

KONSERWACJA

⚠ PRZESTROGA: Przed przystąpieniem do przeglądu narzędzia lub jego konserwacji upewnić się, że jest ono wyłączone, a akumulator wyjęty.

W celu zachowania odpowiedniego poziomu BEZPIECZEŃSTWA i NIEZAWODNOŚCI produktu wszelkie naprawy i różnego rodzaju prace konserwacyjne lub regulacje powinny być przeprowadzane przez autoryzowany lub fabryczny punkt serwisowy narzędzi Makita, zawsze z użyciem oryginalnych części zamiennych Makita.

Po zakończeniu pracy

UWAGA: Oparcie odkurzacza o ścianę bez żadnego innego podparcia może spowodować przewrócenie się i uszkodzenie odkurzacza.

► Rys.30

Czyszczenie

UWAGA: Nie stosować benzyny, rozpuszczalników, alkoholu itp. środków. Mogą one powodować odbarwienia, odkształcenia lub pęknięcia.

UWAGA: Do usuwania kurzu, który przyczepił się do odkurzacza i filtrów, nie należy stosować odpylacza powietrza. Powoduje to dostawanie się kurzu do wnętrza obudowy, co prowadzi do awarii.

UWAGA: Po myciu filtrów należy je całkowicie wysuszyć przed kolejnym użyciem. Niedokładnie wysuszone filtry mogą powodować słabe ssanie i skracać okres eksploatacji silnika.

UWAGA: Po czyszczeniu filtrów oraz filtra z gąbki, należy upewnić się, że zostały ponownie założone przed kolejnym użyciem. W przypadku korzystania z odkurzacza bez założonych filtrów i filtra z gąbki kurz dostanie się do wnętrza obudowy silnika i spowoduje awarię.

Korpus odkurzacza

Od czasu do czasu trzeba przetrzeć korpus odkurzacza ściereczką zwilżoną wodą z mydłem. Należy czyścić także wlot odkurzacza i miejsce mocowania filtra.

► Rys.31

Filtr o wysokiej wydajności

Kiedy filtr zatka się brudem i kurzem, a moc ssania spadnie, należy go umyć w wodzie z mydłem. Przed ponownym użyciem należy go dokładnie wysuszyć.

► Rys.32

Filtr HEPA

Akcesoria opcjonalne

UWAGA: Filtra HEPA nie należy skrobać żadnymi twardymi przedmiotami, np. szczotką lub łopatką.

Zatkanie filtra HEPA powoduje spadek wydajności ssania. Zaleca się okresowe czyszczenie filtra.

Co pewien czas należy umyć filtr HEPA w wodzie, wypłukać i dokładnie wysuszyć przed ponownym użyciem. Nigdy nie należy prać filtra w pralce.

► Rys.33

Filtr z gąbki

Gdy filtr z gąbki jest brudny, należy wyczyścić go w następujący sposób.

1. Wyjąć filtr.
2. Wyciągnąć filtr z gąbki z kolumny.
3. Wytrzeć lub wymyć filtr z gąbki. W przypadku mycia przed użyciem dokładnie go wysuszyć.
4. Włożyć filtr z gąbki do kolumny i ułożyć w wyjściowym położeniu. Upewnić się, że filtr z gąbki jest przytrzymywany przez każdą dolną krawędź kolumny oraz że między nim a otworem ssącym nie występują żadne przerwy.

► Rys.34: 1. Filtr z gąbki 2. Dolna krawędź kolumny

Mocowanie ścienne odkurzacza akumulatorowego

Akcesoria opcjonalne

WSKAZÓWKA: Zestaw nie zawiera wkrętu potrzebnego do zamontowania uchwyty. Należy przygotować wkręt odpowiedni do materiału, w który będzie wkręcany.

Mocowanie ścienne odkurzacza akumulatorowego należy zamontować na twardym drewnianym elemencie konstrukcyjnym — ścianie, belce lub słupie — do którego będzie je można pewnie przytwierdzić. Przed zawieszeniem odkurzacza akumulatorowego zawsze należy upewnić się, że jego mocowanie ścienne jest pewnie przytwierdzone.

► Rys.35: 1. Mocowanie ścienne odkurzacza akumulatorowego

⚠ PRZESTROGA: Nie należy gwałtownie zawieszать odkurzacza na mocowaniu ściennym ani wieszac na mocowaniu innych urządzeń niż odkurzaczy.

Rozwiązywanie problemów

Przed oddaniem produktu do naprawy należy sprawdzić następujące punkty.

Objaw	Obszar wymagający kontroli	Metoda montażu
Słaba siła ssania	Czy kapsuła nie jest przepelniona?	Opróżnić kapsułę z kurzu.
	Czy filtr nie jest zatkany?	Wyczyścić lub umyć filtr.
	Czy akumulator nie jest wyczerpany?	Naładować akumulator.
Nie działa	Czy akumulator nie jest wyczerpany?	Naładować akumulator.

⚠ PRZESTROGA: Nie wolno próbować samodzielnie naprawiać odkurzacza.

AKCESORIA OPCJONALNE

⚠ PRZESTROGA: Zaleca się stosowanie wymienionych akcesoriów i przystawek razem z narzędziem Makita opisanym w niniejszej instrukcji. Stosowanie innych akcesoriów lub przystawek może być przyczyną obrażeń ciała. Akcesoria lub przystawki należy wykorzystywać tylko zgodnie z ich przeznaczeniem.

W razie potrzeby wszelkiej pomocy i szczegółowych informacji na temat niniejszych akcesoriów udziela Państwu lokalne punkty serwisowe Makita.

- Rura przedłużająca (prosta)
- Końcówka
- Końcówka do dywanów
- Szczotka do półek
- Końcówka szczelinowa
- Szczotka okrągła
- Wąż elastyczny
- Filtr
- Filtr wstępny
- Filtr o wysokiej wydajności
- Filtr HEPA
- Oryginalny akumulator i ładowarka firmy Makita
- Swobodna końcówka
- Końcówka do siedzeń
- Końcówka szczelinowa
- Mocowanie ścienne odkurzacza akumulatorowego

WSKAZÓWKA: Niektóre pozycje znajdujące się na liście mogą być dołączone do pakietu narzędziowego jako akcesoria standardowe. Mogą to być różne pozycje, w zależności od kraju.

FIGYELMEZTETÉS

A készüléket nem használhatják 8 évnél fiatalabb gyermekek, valamint csökkent fizikai, érzékelési vagy értelmi képességű személyek, illetve olyanok, akiknek nincs meg a tapasztalatuk és tudásuk ehhez, kivéve, ha valaki a biztonságos használatra megtanítja őket, ismerteti velük a lehetséges veszélyeket, és a használat közben felügyeli őket. Gyermekek ne játszanak a készülékkel. A készülék tisztítását és karbantartását felügyelet nélküli gyermekek ne végezzék.

RÉSZLETES LEÍRÁS

Típus:		DCL281F
Kapacitás		750 ml
Folyamatos használat (BL1830B akkumulátorral)	1 (normál fordulatszámú mód)	Kb. 50 min
	2 (magas fordulatszámú mód)	Kb. 20 min
	3 (maximális fordulatszámú mód)	Kb. 15 min
Teljes hossz		1 016 mm
Névleges feszültség		18 V, egyenáram
Nettó tömeg		1,2 – 1,6 kg

- Folyamatos kutató- és fejlesztőprogramunk eredményeként az itt felsorolt tulajdonságok figyelmeztetés nélkül megváltozhatnak.
- A tulajdonságok országról országra különbözhetnek.
- A súly a tartozékok nélkül, de az akkumulátorral/akkumulátorokkal együtt értendő. A berendezés és az akkumulátor(ok) súlyának kombinációi a táblázatban láthatók.

Alkalmazható akkumulátorok és töltők

Akkumulátor	BL1815N / BL1820 / BL1820B / BL1830 / BL1830B / BL1840 / BL1840B / BL1850 / BL1850B / BL1860B
Töltő	DC18RC / DC18RD / DC18RE / DC18SD / DC18SE / DC18SF

- Lakóhelyétől függően előfordulhat, hogy a fent felsorolt akkumulátorok és töltők nem érhetőek el.

▲ FIGYELMEZTETÉS: Csak a fentiekben felsorolt akkumulátorokat és töltőket használja. Bármilyen más akkumulátor vagy töltő használata sérüléseket és/vagy tüzet okozhat.

Szimbólumok

A következőkben a berendezésen használt jelképek láthatók. A szerszám használata előtt bizonyosodjon meg arról hogy helyesen értelmezi a jelentésüket.



Olvassa el a használati utasítást.



Csak az Európai Unió tagállamai számára
Az elektromos berendezéseket és az akkumulátorukat ne dobja a háztartási szemétkorba! Az Európai Unió használt elektromos és elektronikus berendezésekre vonatkozó irányelvei, illetve az elemekről és akkumulátorokról, valamint a hulladékelemekről és akkumulátorokról szóló irányelv, továbbá azoknak a nemzeti jogba való átültetése szerint az elhasznált elektromos berendezéseket, elemeket és akkumulátorokat külön kell gyűjteni, és környezetbarát módon kell gondoskodni újrahasznosításukról.

Rendeltetés

A készülék száraz por összegyűjtésére szolgál.

BIZTONSÁGI FIGYELMEZTETÉS

A vezeték nélküli porszívókra vonatkozó biztonsági figyelmeztetések

▲ FIGYELMEZTETÉS: FONTOS: HASZNÁLAT ELŐTT MINDENKÉPP OLVASSA EL az összes biztonsági figyelmeztetést és utasítást. Ha nem tartja be a figyelmeztetéseket és utasításokat, akkor áramütés, tűz és/vagy súlyos sérülés következhet be.

1. Ne tegye ki a készüléket esőnek. Tárolja a készüléket beltéren.
2. Ne használja játékszerként. Fokozott körültekintéssel járjon el, ha a készüléket gyermekek közelében használja.
3. A készüléket kizárólag a jelen kézikönyvben leírt módon használja. Kizárólag a gyártó által javasolt tartozékokat használja.
4. Ne használja sérült akkumulátorral. Ha a készülék nem megfelelően működik, leejtették, megsérült, kültéren hagyták vagy vízbe ejtették, vigye vissza a szervizbe.
5. Ne használja a készüléket nedves kézzel.
6. Ne zárja el tárgyakkal a készülék nyílásait. A készüléket ne használja lezárt nyílásokkal; tartsa távol a port, szöszet, haját és minden olyan tárgyat, mely csökkentheti a levegő áramlását.
7. Tartsa távol haját, laza ruházatát, ujjait és minden egyéb testrészét a nyílásoktól és a mozgó részekről.
8. Kapcsoljon ki minden vezérlőt, mielőtt eltávolítja az akkumulátort.
9. Legyen különösen óvatos, amikor lépcsőn végez vele takarítást.
10. Ne használja tűveszélyes vagy gyúlékony folyadékok, mint például benzin felszívására, továbbá ne használja ezek környezetében sem.
11. Csak a gyártó által biztosított töltővel töltsé újja.
12. Ne szívjon fel vele semmilyen égő vagy füstölő tárgyat, mint például cigarettát, gyufa vagy forró hamu.
13. Ne használja porzsák és szűrő nélkül.
14. Ne töltsé az akkumulátort kültéren.
15. Az akkumulátort csak a gyártó által meghatározott töltővel töltsé. Egy adott típusú akkumulátorhoz használható töltő más akkumulátorokkal való használata tüzet okozhat.
16. A szerszámgepeket kizárólag a meghatározott akkumulátorokkal használja. Egyéb akkumulátorok használata sérülést vagy tüzet okozhat.
17. Amikor nem használja az akkumulátort, azt a többi fémtárgytól, például iratkapcsoktól, érméktől, kulcsoktól, szögektől, csavaroktól vagy egyéb apró fémtárgyaktól távol tárolja, mert ezek összeköttetést hozhatnak létre a pólusok között.

18. Helytelen működtetés esetén az akkumulátorból folyadék folyhat ki; kerülje az ezzel való érintkezést. Ha véletlenül érintkezésbe kerülne a folyadékkal, vízzel öblítse le.
19. Ne használjon sérült vagy módosított akkumulátort vagy szerszámot. A sérült vagy módosított akkumulátorok váratlan módon viselkedhetnek, melynek következtében tüzet, robbanást vagy sérülést okozhatnak.
20. Ne tegye ki az akkumulátort és a szerszámot nyílt lángnak vagy túlzott hőhatásnak. A tűz hatása és a 130 °C feletti hőmérséklet robbanást okozhat.
21. A töltésre vonatkozó minden utasítást tartson be, ne töltsé az akkumulátort vagy a szerszámot a megadott hőmérséklettartományon kívül. A nem megfelelő módú és nem megfelelő hőmérsékleten történő töltés az akkumulátor károsodásával járhat, valamint tüzet okozhat.

ŐRIZZE MEG EZEKET AZ UTASÍTÁSOKAT.

KIEGÉSZÍTŐ BIZTONSÁGI ELŐÍRÁSOK

A készülék kizárólag beltéri használatra alkalmas.

1. A használat előtt figyelmesen olvassa át ezt a használati útmutatót és a töltő használati útmutatóját.
2. Ne vegye fel vele a következő anyagokat:
 - Forró anyagok, mint égő cigaretta, vagy közörlésből/fémvágásból származó szilánk/fémreszelék
 - Tűveszélyes anyagok, mint például gázolin, hígító, benzin, kerozin vagy festék
 - Robbanóanyagok, mint például a nitroglicerin
 - Gyúlékony anyagok, mint például alumínium, cink, magnézium, titán, foszfor vagy celluloid
 - Nedves föld, víz, olaj vagy hasonlók
 - Kemény, éles szélű anyagok, mint például fahulladékok, fém-, kő- és üvegdarabok, szegek, szegecsek vagy pengék
 - Összeragadó por, mint a cement vagy toner
 - Vezetékes por, mint fém- vagy szénpor
 - Finom részecskék, mint például betonporAz ilyen művelet tüzet, sérülést és/vagy anyagkárt okozhat.
3. Ha bármilyen rendellenességet észlel, azonnal állítsa le a készüléket.
4. Ha elejtette vagy valamihez odaütötte a porszívót, a használat előtt gondosan ellenőrizze, hogy nincsenek-e rajta repedések vagy sérülések.
5. Ne vigye tűzhely vagy más hőforrás közelébe.
6. Ne zárja le a szívónyílást vagy a szellőzőnyílásokat.

ŐRIZZE MEG EZEKET AZ UTASÍTÁSOKAT.

Fontos biztonsági utasítások az akkumulátorra vonatkozóan

1. Az akkumulátor használata előtt tanulmányozza át az akkumulátortöltőt (1), az akkumulátoron (2) és az akkumulátorral működtetett terméken (3) olvasható összes utasítást és figyelmeztető jelzést.
2. Ne szerelje szét az akkumulátort.
3. Ha a működési idő nagyon lerövidült, azonnal hagyja abba a használatot. Ez a túlmelegedés, esetleges égések és akár robbanás veszélyével is járhat.
4. Ha elektrolit kerül a szemébe, mossa ki azt tiszta vízzel és azonnal kérjen orvosi segítséget. Ez a látásának elvesztését okozhatja.
5. Ne zárja rövidre az akkumulátort:
 - (1) Ne érjen az érintkezőkhöz elektromosan vezető anyagokkal.
 - (2) Ne tárolja az akkumulátort más fémtárgyakkal, mint pl. szegekkel, érmekkel, stb. egy helyen.
 - (3) Ne tegye ki az akkumulátort víznek vagy esőnek.Az akkumulátor rövidzárlata nagy áramerősséget, túlmelegedést, égéseket, sőt akár meghibásodást is okozhat.
6. Ne tárolja a szerszámot vagy az akkumulátort olyan helyen, ahol a hőmérséklet elérheti vagy meghaladhatja az 50 °C-ot (122 °F).
7. Ne égesse el az akkumulátort még akkor sem, ha az komolyan megsérült vagy teljesen elhasználódott. Az akkumulátor a tűzben felrobbanhat.
8. Vigyázzon, nehogy leejtse vagy megüsse az akkumulátort.
9. Ne használjon sérült akkumulátort.
10. A készülékben található lítium-ion akkumulátorokra a veszélyes árukkal kapcsolatos előírások vonatkoznak. A termék pl. harmadik felek, fuvarozó cégek stb. által történő szállítása esetén minden esetben tartsa szem előtt a csomagoláson és a címkén található speciális követelményeket. A termék szállításra történő felkészítése esetén vegye fel a kapcsolatot egy veszélyes anyagokkal foglalkozó szakemberrel. Kérjük, hogy az esetlegesen szigorúbb nemzeti előírásokat is vegye figyelembe. Ragassza le a kiálló érintkezőket, illetve oly módon csomagolja be az akkumulátort, hogy az ne tudjon elmozdulni a csomagolásban.
11. **Az akkumulátor ártalmatlanításakor tartsa be a helyi előírásokat.**
12. **Az akkumulátorokat csak a Makita által megjelölt termékekhez használja.** Ha az akkumulátorokat azokkal nem kompatibilis termékekbe helyezi, az tűzhöz, túlmelegedéshez, robbanáshoz vagy elektrolitszivárgáshoz vezethet.

ŐRIZZE MEG EZEKET AZ UTASÍTÁSOKAT.

⚠ VIGYÁZAT: Csak eredeti Makita akkumulátorokat használjon. A nem eredeti Makita akkumulátorok vagy módosított akkumulátorok használata esetén az akkumulátor felrobbanhat, ami tüzet, személyi sérülést és anyagi kárt okozhat. A Makita szerszáma és töltőre vonatkozó Makita garanciát is érvénytelenítheti.

Tippek az akkumulátor maximális élettartamának eléréséhez

1. Töltse fel az akkumulátort, mielőtt teljesen lemerülne. Állítsa le a gépet, és töltse fel az akkumulátort, ha a gép erejének csökkenését észleli.
2. Soha ne töltse újra a teljesen feltöltött akkumulátort. A túltöltés csökkenti az akkumulátor élettartamát.
3. Töltse az akkumulátort szobahőmérsékleten, 10 °C - 40 °C (50 °F - 104 °F) között. Töltés előtt hagyja lehűlni a fölforrósodott akkumulátort.
4. Töltse fel az akkumulátort, ha hosszabb ideje (több mint hat hónapja) nem használta azt.

A MŰKÖDÉS LEÍRÁSA

⚠ VIGYÁZAT: Minden esetben ellenőrizze, hogy a szerszám ki van kapcsolva és az akkumulátor eltávolításra került mielőtt beállít vagy ellenőriz valamilyen funkciót a szerszámon.

⚠ VIGYÁZAT: Figyeljen oda, nehogy az akkumulátor behelyezésekor az ábrán látható módon becsípje az ujját/ujjait a porszívó és az akkumulátor közé. Az ujj(ak) becsipődése sérülést okozhat.

▶ **Ábra1**

Az akkumulátor behelyezése és eltávolítása

⚠ VIGYÁZAT: Mindig kapcsolja ki az eszközt, mielőtt behelyezi vagy eltávolítja az akkumulátort.

⚠ VIGYÁZAT: Az akkumulátor behelyezésekor vagy eltávolításakor erősen fogja meg a szerszámot és az akkumulátort. Ha nem fogja erősen a szerszámot és az akkumulátort, azok kicsúszhatnak a kezei közül, ami a szerszám és az akkumulátor károsodásához, de akár személyi sérüléshez is vezethet.

▶ **Ábra2:** 1. Piros jel 2. Gomb 3. Akkumulátor

Az akkumulátoregység kivételéhez nyomja be az akkumulátoregység elején található gombot, és húzza le a gépről.

Az akkumulátor beszereléséhez illessze az akkumulátor nyelvét a burkolaton található vájatba és csúsztassa a helyére. Egészen addig tolja be, amíg az akkumulátor egy kis kattannással a helyére nem ugrik. Ha látható a piros jel a gomb felső oldalán, akkor a gomb nem kattan be teljesen.

⚠ VIGYÁZAT: Mindig tolja be teljesen az akkumulátort, amíg a piros jel el nem tűnik. Ha ez nem történik meg, akkor az akkumulátor kieshet a szerszámból, és Önnek vagy a környezetében másnak sérülést okozhat.

⚠ VIGYÁZAT: Ne erőltesse az akkumulátort behelyezésre. Ha az akkumulátor nem csúszik be könnyedén, akkor nem megfelelően lett behelyezve.

Akkumulátorvédő rendszer

A gép szerszám-/akkumulátorvédő rendszerrel van felszerelve. A rendszer automatikusan kikapcsolja a motor áramellátását, így megnöveli a szerszám és az akkumulátor élettartamát. A gép használat közben automatikusan leáll, ha a szerszám vagy az akkumulátor a következő állapotba kerül.

Túlterhelt:

A szerszámot úgy működteti, hogy áramfelvétele rendellenesen magas.

Ilyenkor kapcsolja ki a gépet, és állítsa le azt az alkalmazást, amelyik a túlterhelést okozza. Újraindításhoz kapcsolja be a gépet. Ha a szerszám nem indul el, az akkumulátor túlmelegedett. Ilyenkor hagyja kihűlni az akkumulátort, mielőtt ismét bekapcsolná a gépet.

Az akkumulátor feszültsége alacsony:

Az akkumulátor fennmaradó kapacitása túl alacsony, a szerszámot nem tudja működtetni. Ilyenkor vegye le és töltsse fel az akkumulátort.

Az akkumulátor töltöttségének jelzése

Csak állapotjelzős akkumulátorok esetén

► **Ábra3:** 1. Jelzőlámpák 2. Check (ellenőrzés) gomb

Nyomja meg az ellenőrzőgombot, hogy az akkumulátortöltöttség-jelző megmutassa a hátralévő akkumulátor-kapacitást. Ekkor a töltöttség-szint-jelző lámpák néhány másodpercre kigyulladnak.

Jelzőlámpák			Töltöttségi szint
Világító lámpa	KI	Villogó lámpa	
■	□	▣	75%-tól 100%-ig
■ ■ ■ ■	□	□	50%-tól 75%-ig
■ ■	□ □	□	25%-tól 50%-ig
■	□ □ □	□	0%-tól 25%-ig
▣	□ □ □	□	Töltsse fel az akkumulátort.
■ ■ □ □	□ □	■ ■	Lehetséges, hogy az akkumulátor meghibásodott.
□ □	↑ ↓	■ ■	

MEGJEGYZÉS: Az adott munkafeltételektől és a környezet hőmérsékletétől függően a jelzett töltöttségi szint némileg eltérhet a tényleges töltöttségi szinttől.

A kapcsoló használata

► **Ábra4:** 1. BE/fordulatszámváltó gomb 2. KI gomb

A porszívó bekapcsolásához csak nyomja le a BE/fordulatszámváltó gombot. A kikapcsoláshoz nyomja meg a KI gombot. Három különböző fordulatszámot állíthat be a porszívó a BE/fordulatszámváltó gomb segítségével.

A gomb első megnyomásával magas fordulatszámra vált, másodikra maximális fordulatszámra vált, harmadikra pedig visszavált normál fordulatszámra. A gomb minden egyes megnyomása a magas/maximális/normál fordulatszámok között léptet.

A lámpa bekapcsolása

▲VIGYÁZAT: Ne tekintsen a fénybe vagy ne nézze egyenesen a fényforrást.

A lámpa bekapcsolásához nyomja meg a BE/fordulatszámváltó gombot. A lámpa kikapcsolásához nyomja meg a KI gombot. A gép működése közben a lámpa be van kapcsolva.

Ha az akkumulátor hamarosan lemerül, a lámpa villogni kezd.

► **Ábra5:** 1. BE/fordulatszámváltó gomb 2. KI gomb 3. Lámpa

MEGJEGYZÉS: A munkaterület környezeti hőmérsékletétől és az akkumulátor állapotától függ, hogy a lámpa milyen ütemben villog.

ÖSSZESZERELÉS

▲VIGYÁZAT: Minden esetben ellenőrizze, hogy a szerszám ki van kapcsolva és az akkumulátort levette, mielőtt bármilyen műveletet végez a szerszámon.

Alkatrészek leírása

Opcionális kiegészítők

A nagy teljesítményű szűrő és a tartó és szivacsűrő

► **Ábra6:** 1. Tartály 2. Nagy teljesítményű szűrő 3. Tartó és szivacsűrő

Előszűrő vagy nagy teljesítményű szűrő és HEPA szűrő

► **Ábra7:** 1. Tartály 2. Előszűrő 3. Nagy teljesítményű szűrő 4. HEPA szűrő

MEGJEGYZÉS: Ne használja a nagy teljesítményű szűrőt a szűrővel (opcionális kiegészítő). Előfordulhat, hogy a nagy teljesítményű szűrőt nem lehet eltávolítani a porszívóról.

MEGJEGYZÉS: Ha a HEPA szűrővel használja az opcionális előszűrőt és szűrőt, csak az előszűrőt tegye rá a HEPA szűrőre. Ha a HEPA szűrővel egyszerre használja az előszűrőt és szűrőt, csökkenhet a szívóerő.

MEGJEGYZÉS: Ha a HEPA szűrőt a nagy teljesítményű szűrővel használja, használja a nagy teljesítményű szűrőt a tartóval.

► **Ábra8:** 1. Tartó

A por kiürítése

VIGYÁZAT: Üritse ki a porszívóból a port, mielőtt az túlságosan megtelik, máskülönben gyengül a szívóhatás.

VIGYÁZAT: Ne felejtse magának a porszívónak a belsejét is kiüríteni. Ennek elmulasztása a szűrő eltömődését vagy a motor károsodását okozhatja.

A tartályban levő szűrőre tapadt por eltávolításához ütögesse meg kezével 4-5-ször a tartályt.

▶ **Ábra9:** 1. Tartály 2. Szívónyílás

Irányítsa lefelé a szívóbemenetet, fordítsa el a tartályt az ábrán látható nyíl irányába, és lassan, egyenesen húzva vegye le a tartályt.

▶ **Ábra10:** 1. Tartály 2. Szívónyílás

MEGJEGYZÉS: A tartály kinyitásakor por hullhat ki, ezért helyezzen egy szemeteszákot a tartály alá.

Távolítsa el a lerakódott port a tartály belsejéből és a nagy teljesítményű szűrőről.

▶ **Ábra11:** 1. Tartály 2. Nagy teljesítményű szűrő

Forgassa el a nagy teljesítményű szűrőt a nyíl irányába, hogy kiakassza a rögzítőperemet a porszívó egységéből, majd húzza ki a szűrőt.

▶ **Ábra12:** 1. Rögzítőperem

MEGJEGYZÉS: Az előszűrő használatakor is kövesse a fenti eljárást.

Tisztítsa meg a finom portól a nagy teljesítményű szűrőt, majd óvatosan ütögesse meg a por eltávolításához.

Összeszerelés

Csatlakoztassa a nagy teljesítményű szűrőt. Ezután fordítsa el a nagy teljesítményű szűrőt, hogy a rögzítőperem beakadjon a porszívó egységbe.

▶ **Ábra13:** 1. Nagy teljesítményű szűrő

▶ **Ábra14:** 1. Rögzítőperem

MEGJEGYZÉS: A porszívó használata előtt mindig ellenőrizze, hogy a nagy teljesítményű szűrő pontosan a helyén van-e. Ha nincs pontosan a helyén, por kerül a motorházba, és a motor meghibásodását okozza. Ha a későbbiekben leírt probléma előfordul, a nagy teljesítményű szűrő nincs pontosan a helyén. A probléma megoldásához pontosan helyezze fel a szűrőket.

Csatlakoztassa a tartályt. Igazítsa a tartályon lévő jelet a fogantyún lévő jelhez, majd határozottan csavarja el a tartályt a nyíl irányába, amíg nem rögzül.

▶ **Ábra15:** 1. Jel 2. Fogantyú 3. Tartály

MEGJEGYZÉS: Mindig idejében távolítsa el a port, mert lecsökken a szívóteljesítmény, ha túl sok por van a porszívóban.

Példák a lehetséges problémákra

A nagy teljesítményű szűrő rögzítőpereme nincs a porszívóház vájatába rögzítve.

▶ **Ábra16:** 1. Rögzítőperem 2. Vájat a porszívó burkolatában

A tartó / HEPA szűrő felszerelése és eltávolítása

Opcionális kiegészítők

A tartó és szivacsűrő esetén

A tartó eltávolításához nyomja fel az ujjával a tartó bordáinak alsó részét, és szabadítsa ki a vájátát a porszívón található kiemelkedés alól. Ezután távolítsa el a szivacsűrőt.

▶ **Ábra17:** 1. Tartó 2. Szivacsűrő

A felszereléshez igazítsa a tartó vájátait a porszívón található kiemelkedéshez, és nyomja, amíg bekattan. Helyezze be a szivacsűrőt a bordák közé, és állítsa az eredeti helyzetébe.

A HEPA szűrő esetén

A HEPA szűrő felszerelésekor illessze a HEPA szűrő vájátát a porszívón található kiemelkedéshez. Ezután tegye az előszűrőt vagy a nagy teljesítményű szűrőt a HEPA szűrőre, és csavarja el a rögzítéshez. Az eltávolításhoz kövesse a felszerelési eljárást fordított sorrendben.

▶ **Ábra18:** 1. HEPA szűrő 2. Előszűrő

▶ **Ábra19:** 1. HEPA szűrő 2. Nagy teljesítményű szűrő

MŰKÖDTETÉS

VIGYÁZAT: Ne vigye az arcát közel a szellőzőnyíláshoz a porszívó működtetésekor. Ha idegen tárgyakat fúj valakinek a szemébe, az személyi sérülést okozhat.

A szívótartozék felszerelése és eltávolítása

VIGYÁZAT: A tartozék felszerelése után ellenőrizze, hogy biztonságosan van-e rögzítve. Ha a tartozék nem megfelelően van felszerelve, leeshet, és személyi sérülést okozhat.

VIGYÁZAT: Vigyázzon, ne üsse a kezét a falba, stb. a tartozék eltávolításakor.

Reteszelő funkció csőtoldat használatakor

A csőtoldat felszereléséhez tolja azt be a porszívó szívónyílásába, amíg bekattan. Győződjön meg arról, hogy a csőtoldat rögzült.

▶ **Ábra20:** 1. Szívónyílás 2. Csőtoldat 3. Akasztó

MEGJEGYZÉS: A csőtoldat felszerelésekor vigyázzon, hogy a kioldógombot a csőtoldaton lévő akasztóhoz igazítsa. Ha nincsenek egy vonalban, a cső nem rögzül, és leeshet a porszívóról.

MEGJEGYZÉS: A reteszelő funkció nélküli csőtoldat (opcionális kiegészítő) felszerelésekor csavarja tolja azt be a porszívó szívónyílásába a nyíl irányába. Az eltávolításhoz szintén a nyíl irányába elforgatva húzza azt ki.

► Ábra21

Az eltávolításhoz húzza ki a csőtoldatot, miközben megnyomja a kioldógombot.

► **Ábra22:** 1. Kioldógomb 2. Csőtoldat

Szívófej használatakor

▲VIGYÁZAT: A szívófej csatlakoztatásához helyezze be azt a nyíl irányába elforgatva, hogy biztosan rögzítve legyen a használat közben. A tartozék eltávolításához szintén a nyíl irányába elforgatva húzza azt ki. Ha a szívófejet az ellenkező irányba forgatják, a tartály kilazulhat.

A szívófej felszereléséhez helyezze be azt elforgatva a porszívó szívónyílásába vagy a csőtoldat végébe rögzítve. Eltávolításhoz forgassa el, és húzza ki.

► **Ábra23**

Tisztítás (porszívás)

Szívófej

Csatlakoztassa a szívófejet asztalok, íróasztalok, bútorok, stb. tisztításakor. A szívófej könnyedén rácsúsztható a csonkra.

► **Ábra24:** 1. Szívófej

Szívófej + csőtoldat (egyenes cső)

A csőtoldat a szívófej és a porszívó közé illeszthető be. Az így összeszerelt készülékkel kényelmesen, felegyenesedve tisztítható a padló.

► **Ábra25:** 1. Porszívóburkolat 2. Csőtoldat
3. Szívófej

Saroktisztító fej

Csatlakoztassa a saroktisztító fejhez sarkok és az autó vagy bútorok réseinek tisztításához.

► **Ábra26:** 1. Saroktisztító fej 2. Porszívóburkolat

Saroktisztító fej + csőtoldat (egyenes cső)

Olyan szűk terekben, ahová maga a porszívó nem férne be, vagy nehezen elérhető, magas helyeken használja ezt az összeállítást.

► **Ábra27:** 1. Saroktisztító fej 2. Csőtoldat
3. Porszívóburkolat

Tisztítás szívófej nélkül

Port a szívófej nélkül is felszívhat.

► **Ábra28**

A padlón lévő por álló helyzetben történő felszívásához célszerű a csőtoldatot csatlakoztatni a porszívóhoz.

► **Ábra29:** 1. Csőtoldat

KARBANTARTÁS

▲VIGYÁZAT: Minden esetben ellenőrizze, hogy a szerszám ki van kapcsolva és az akkumulátor eltávolításra került mielőtt átvizsgálja a szerszámot vagy annak karbantartását végzi.

A termék BIZTONSÁGÁNAK és MEGBÍZHATÓSÁGÁNAK fenntartása érdekében a javításokat és más karbantartásokat vagy beállításokat a Makita hivatalos vagy gyári szervizközpontjában kell elvégezni, mindig csak Makita cserealkatrészeket használva.

A használat után

MEGJEGYZÉS: Ha a porszívót kitémasztás nélkül a falnak dönti, akkor eldőlhet és megsérülhet.

► **Ábra30**

Tisztítás

MEGJEGYZÉS: Soha ne használjon gázolajt, benzint, hígítót, alkoholt vagy hasonló anyagokat. Ezek elszíneződést, alakvesztést vagy repedést okozhatnak.

MEGJEGYZÉS: Ne fújja a port a porszívóba és a szűrőbe légfúvó rácsatlakoztatásával. Így por kerül a motorházba, és meghibásodást okoz.

MEGJEGYZÉS: A szűrők mosása után alaposan szárítsa meg azokat használat előtt. A nem teljesen megszáritott szűrő gyenge szívóteljesítményt és a motor élettartamának rövidülését okozhatja.

MEGJEGYZÉS: A szűrők és a szivacszűrő tisztítása után győződjön meg arról, hogy használat előtt újra visszahelyezi azokat. Ha a szűrők és a szivacszűrő nélkül használja a porszívót, akkor por kerül a motorházba, és a motor meghibásodását okozza.

Porszívóburkolat

Időnként törölje át szappanos vízzel megnedvesített rongy segítségével a porszívó külső felületeit (a készülék házát). Tisztítsa ki a szívónyílást és a szűrő rögzítési helyét.

► **Ábra31**

Nagy teljesítményű szűrő

Szappanos vízben mossa ki a szűrőt, ha porral eltömődött és a szívóteljesítmény jelentősen lecsökkent. Használat előtt alaposan szárítsa meg.

► **Ábra32**

HEPA szűrő

Opcionális kiegészítők

MEGJEGYZÉS: Ne dörzsölje vagy karcolja a HEPA szűrőt kemény tárgyakkal, például kefével vagy durva ecsettel.

Az eltömődött HEPA szűrő gyenge szívóteljesítményt okoz. Rendszeresen tisztítsa ki a szűrőt.

A HEPA szűrőt időnként mossa meg vízben, majd öblítse le és szárítsa meg alaposan egy árnyékos helyen, mielőtt újra használná. Soha ne mossa a szűrőt mosógépben.

► **Ábra33**

Szivacsászűrő

Ha a szivacsászűrő szennyezetté válik, tisztítsa meg az alábbiak szerint.

1. Vegye ki a szűrőt.
2. Húzza ki a szivacsászűrőt a tartóbordák közül.
3. Tisztítsa meg a szivacsászűrőt annak megütögetésével vagy kimosásával. Ha kimossa, szárítsa meg alaposan használat előtt.
4. Helyezze be a szivacsászűrőt a tartóbordák közé, és állítsa az eredeti helyzetébe. Győződjön meg róla, hogy a tartóborda mindegyik alsó éle leszorítja a szivacsászűrőt, és nincs hézag a szivacsászűrő és a szívónyílás között.

► **Ábra34:** 1. Szivacsászűrő 2. Tartóborda alsó széle

Fali tartó vezető nélküli porszívóhoz

Opcionális kiegészítők

MEGJEGYZÉS: A tartó rögzítéséhez szükséges csavar nem tartozék. Készítsen elő olyan csavart, amely illeszkedik az anyaghoz, amibe csavarni kell.

Szerelje a vezető nélküli porszívó fali tartóját keményfából készült falra, gerendára vagy oszlopra, ahová biztonságosan lehet rögzíteni az vezető nélküli porszívó fali tartóját. A porszívó felakasztása előtt mindig győződjön meg róla, hogy a vezető nélküli porszívó fali tartója biztonságosan van rögzítve.

► **Ábra35:** 1. Fali tartó vezető nélküli porszívóhoz

⚠VIGYÁZAT: Ne akassza a porszívót hevesen a fali tartóra, és ne akasszon rá a porszívón kívül más készülékeket.

Hibaelhárítás

Mielőtt javítást igényelne, ellenőrizze a következőket.

Tünet	Átvizsgálendő terület	Megoldás
Gyenge szívóteljesítmény	A tartály tele van porral?	Üritse a tartályt.
	Eltömődött a szűrő?	Tisztítsa le vagy mossa meg a szűrőt.
	Lemerült az akkumulátor?	Töltse fel az akkumulátort.
Nem működik	Lemerült az akkumulátor?	Töltse fel az akkumulátort.

⚠VIGYÁZAT: Ne próbálja egyedül megjavítani a porszívót.

OPCIONÁLIS KIEGÉSZÍTŐK

⚠VIGYÁZAT: Ezen kiegészítőket és tartozékokat javasoljuk a kézikönyvben ismertetett Makita szerszámhoz. Bármilyen más kiegészítő vagy tartozék használata a személyi sérülés kockázatával jár. A kiegészítőt vagy tartozékokat csak rendeltetészerűen használja.

Ha bármilyen segítségre vagy további információra van szüksége ezekkel a tartozékokkal kapcsolatban, keresse fel a helyi Makita Szervizközpontot.

- Csőtoldal (egyenes cső)
- Szívófej
- Szőnyegkefe
- Bútorkefe
- Saroktisztító fej
- Körkefe
- Hajlékony cső
- Szűrő
- Előszűrő
- Nagy teljesítményű szűrő
- HEPA szűrő
- Eredeti Makita akkumulátor és töltő
- Különálló szívófej
- Ülészívó fej

- Résszívófej
- Fali tartó vezető nélküli porszívóhoz

MEGJEGYZÉS: A listán felsorolt néhány kiegészítő megtalálható az eszköz csomagolásában standard kiegészítőként. Ezek országonként eltérőek lehetnek.

VAROVANIE

Toto náradie môžu používať deti staršie ako 8 rokov a osoby so zníženými fyzickými, zmyslovými a duševnými schopnosťami alebo nedostatočnou skúsenosťou, ak pracujú pod dohľadom alebo na základe vydaných pokynov o používaní náradia bezpečným spôsobom a chápu možné riziká. Deti sa s náradím nesmú hrať. Deti bez dozoru nesmú vykonávať čistenie a údržbu.

TECHNICKÉ ŠPECIFIKÁCIE

Model:	DCL281F	
Kapacita	750 ml	
Nepretržité používanie (s akumulátorom BL1830B)	1 (režim normálnych otáčok)	Pribl. 50 min
	2 (režim vysokých otáčok)	Pribl. 20 min
	3 (režim maximálnych otáčok)	Pribl. 15 min
Celková dĺžka	1 016 mm	
Menovité napätie	Jednosmerný prúd 18 V	
Čistá hmotnosť	1,2 – 1,6 kg	

- Vzhľadom k neustálemu výskumu a vývoju podliehajú technické údaje uvedené v tomto dokumente zmenám bez upozornenia.
- Technické údaje sa môžu pre rôzne krajiny líšiť.
- Hmotnosť nezahŕňa žiadne ďalšie príslušenstvo s výnimkou akumulátora. V tabuľke sa uvádzajú kombinácie najnižšej a najvyššej hmotnosti príslušenstva a akumulátora.

Použiteľné akumulátory a nabíjačky

Akumulátor	BL1815N / BL1820 / BL1820B / BL1830 / BL1830B / BL1840 / BL1840B / BL1850 / BL1850B / BL1860B
Nabíjačka	DC18RC / DC18RD / DC18RE / DC18SD / DC18SE / DC18SF

- Niektoré vyššie uvedené akumulátory a nabíjačky môžu byť nedostupné v závislosti od miesta vášho bydliska.

VAROVANIE: Používajte iba akumulátory a nabíjačky zo zoznamu uvedeného vyššie. Používanie akýchkoľvek iných akumulátorov a nabíjačiek môže spôsobiť zranenie a/alebo požiar.

Symbols

Nižšie sú uvedené symboly, s ktorými sa môžete stretnúť pri použití nástroja. Je dôležité, aby ste poznali ich význam, skôr než začnete pracovať.



Prečítajte si návod na obsluhu.



Len pre štáty EÚ
Elektrické zariadenia ani akumulátor nevyhadzujte do komunálneho odpadu! Podľa európskej smernice o nakladaní s použitými elektrickými a elektronickými zariadeniami a smernice o batériách a akumulátoroch a odpadových batériách a akumulátoroch a ich implementovaní v súlade s právnymi predpismi jednotlivých krajín je nutné elektrické zariadenia a batérie po skončení ich životnosti separovať a odovzdať na zberné miesto vykonávajúce environmentálne kompatibilné recyklovanie.

Určené použitie

Tento nástroj je určený na vysávanie suchého prachu.

BEZPEČNOSTNÉ VAROVANIA

Bezpečnostné varovania pre akumulátorový vysávač

VAROVANIE: JE DÔLEŽITÉ, aby ste si **PRED POUŽITÍM DÔKLADNE PREČÍTALI** všetky varovania a pokyny. Nedodržavanie varovaní a pokynov môže mať za následok zasiahnutie elektrickým prúdom, požiar alebo vážne zranenie.

1. Nevystavujte dažďu. Skladujte v interiéri.
2. Nedovoľte, aby sa spotrebič používal ako hračka. Pokiaľ sa na mieste používania vyskytujú deti, je potrebné dávať veľký pozor.
3. Používajte len podľa pokynov v tomto návode. Používajte len doplinky schválené výrobcom.
4. Poškodený akumulátor nepoužívajte. Pokiaľ náradie nefunguje správnym spôsobom, spadlo, došlo k jeho poškodeniu, bolo ponechané vonku alebo spadlo do vody, odneste ho do servisného strediska.
5. S náradím nemanipulujte mokrymi rukami.
6. Do otvorov nepchajte žiadne predmety. Náradie nepoužívajte, pokiaľ sú otvory zablokovvané. Chráňte pred prachom, vláknami, vlasmi a všetkým, čo môže znížiť prietok vzduchu.
7. Vlasy, voľný odev, prsty a všetky časti tela majte v dostatočnej vzdialenosti od otvorov a pohyblivých súčastí.
8. Pred vybratím akumulátora vypnite všetky ovládacie prvky.
9. Maximálnu pozornosť venujte vysávaniu na schodoch.
10. Nepoužívajte na vysávanie horľavých alebo zápalných kvapalín, napríklad benzín, ani nepoužívajte na miestach, kde sa tieto kvapaliny môžu vyskytovať.
11. Na nabíjanie používajte jedine nabíjačku dodanú výrobcom.
12. Nevysávajte nič, čo horí alebo dymí, napríklad cigarety, zápalky alebo horúci popol.
13. Nepoužívajte bez založeného vrecka na prach a filter.
14. Akumulátor nenabíjajte v exteriéri.
15. Nabíjajte iba nabíjačkou určenou výrobcom. Nabíjačka vhodná pre jeden typ akumulátora môže pri inom type akumulátora spôsobiť riziko vzniku požiaru.
16. Elektrické náradie používajte iba s určeným typom akumulátora. Použitie iného typu akumulátora môže spôsobiť riziko vzniku požiaru a úrazu.
17. Keď sa akumulátor práve nepoužíva, skladujte ho v bezpečnej vzdialenosti od iných kovových predmetov, akými sú sponky, mince, kľúče, klince, skrutky alebo iné malé kovové predmety, ktoré by mohli kontakty akumulátora skratovať.

18. Pri nevhodných podmienkach môže z akumulátora vytekať kvapalina. Nedotýkajte sa jej. Pri náhodnom kontakte ju opláchnite vodou.
19. Nepoužívajte akumulátor alebo nástroj, ktorý je poškodený alebo upravovaný. Fungovanie poškodených alebo upravovaných akumulátorov ťažko predvídať a môžu zapríčiniť požiar, výbuch alebo zranenie.
20. Akumulátor ani nástroj nevystavujte ohňu či nadmernej teplote. Vystavenie ohňu alebo teplote nad 130 °C môže spôsobiť výbuch.
21. Dodržiavajte všetky pokyny pre nabíjanie a akumulátor ani nástroj nenabíjajte v prípade prekročenia teplotného rozsahu uvedeného v návode. Nesprávne nabíjanie alebo nabíjanie pri teplotách mimo uvedeného rozsahu môže spôsobiť poškodenie akumulátora a zvýšiť riziko požiaru.

TIETO POKYNY USCHOVAJTE.

ĎALŠIE BEZPEČNOSTNÉ ZÁSADY

Toto zariadenie nie je určené na použitie v domácnosti.

1. Pred použitím si pozorne prečítajte tento návod na obsluhu a návod na obsluhu nabíjačky.
2. Nevysávajte nasledujúce materiály:
 - horúce materiály, akými sú horiace cigarety alebo iskriaci/kovový prach, ktorý vzniká pri brúsení alebo rezaní kovu
 - Horľavé materiály, ako je benzín, riedidlá, benzol, petrolej alebo farby
 - Výbušné materiály, ako je nitroglycerín
 - Zápalné materiály, ako je hliník, zinok, horčík, titán, fosfor a celulozoid
 - Mokré nečistoty, vodu, olej a podobné materiály
 - Tvrdé kusy s ostrými hranami, napríklad drevené triesky, kovy, kamene, sklo, klince, špendlíky alebo žiletky
 - Prachové upchávajúce materiály, napríklad cement či toner
 - Vodivý prach, napríklad kov alebo uhlík
 - Jemné častice, napríklad betónový prachTakéto činnosti môžu zapríčiniť vznik požiaru, poranenie alebo škody na majetku.
3. Ak spozorujete niečo nezvyčajné, okamžite zastavte prácu.
4. Ak vám vysávač spadne alebo ním narazíte, pred ďalším použitím pozorne skontrolujte, či na ňom nie sú praskliny alebo iné poškodenie.
5. Nepribližujte sa ním k sporákom ani iným zdrojom tepla.
6. Neblokujte vstupný otvor ani vetracie otvory.

TIETO POKYNY USCHOVAJTE.

Dôležité bezpečnostné a prevádzkové pokyny pre akumulátor

1. Pred použitím akumulátora si prečítajte všetky pokyny a výstažné označenia na (1) nabíjačke akumulátorov, (2) akumulátore a (3) produkte používajúcom akumulátor.
2. Akumulátor nerozoberajte.
3. Ak sa doba prevádzky príliš skráti, ihneď prerušte prácu. Môže nastať riziko prehriatia, možných popálením či dokonca explózie.
4. V prípade zasiahnutia očí elektrolytom ich vypláchnite čistou vodou a okamžite vyhľadajte lekársku pomoc. Môže dôjsť k strate zraku.
5. Akumulátor neskratujte:
 - (1) Nedotýkajte sa konektorov žiadnym vodivým materiálom.
 - (2) Neskladujte akumulátor v obale s inými kovovými predmetmi, napríklad kľúčmi, mincami a pod.
 - (3) Akumulátor nevystavujte vode ani dažďu. Skrat akumulátora môže spôsobiť veľký tok prúdu, prehriatie, možné popáleniny či dokonca poruchu.
6. Neskladujte nástroj ani akumulátor na miestach s teplotou presahujúcou 50 °C (122 °F).
7. Akumulátor nespaliťte, ani keď je vážne poškodený alebo úplne opotrebovaný. Akumulátor môže v ohni explodovať.
8. Dávajte pozor, aby akumulátor nespadol, a nevystavujte ho nárazom.
9. Nepoužívajte poškodený akumulátor.
10. Litium-iónové akumulátory, ktoré sú súčasťou náradia, podliehajú požiadavkám legislatívy o nebezpečnom tovare.

V prípade obchodnej prepravy, napr. dodanie tretími stranami či špeditérmi, sa musia dodržiavať špeciálne požiadavky na zabalenie a označenie. Pred prípravou položky na odoslanie sa vyžaduje konzultácia s odborníkom na nebezpečný materiál. Taktiež treba dodržiavať potenciálne podrobnejšie predpisy príslušnej krajiny. Prelepte alebo zakryte otvorené kontakty a zabaľte akumulátor tak, aby sa v balíku nemohol voľne pohybovať.
11. Akumulátor zlikvidujte v súlade s miestnymi nariadeniami.
12. Akumulátory používajte iba s výrobkami uvedenými spoločnosťou Makita. Inštalácia akumulátorov do nevyhovujúcich výrobkov môže spôsobiť požiar, nadmerné teplo, výbuch alebo únik elektrolytov.

TIETO POKYNY USCHOVAJTE.

▲POZOR: Používajte len originálne akumulátory od spoločnosti Makita. Používanie batérií, ktoré nie sú od spoločnosti Makita, alebo upravených batérií môže spôsobiť výbuch batérie a následný požiar, zranenie osôb alebo poškodeniu majetku. Následkom bude aj zrušenie záruky od spoločnosti Makita na nástroj a nabíjačku od spoločnosti Makita.

Rady na udržanie maximálnej životnosti akumulátora

1. Akumulátor nabíjate ešte predtým, ako sa úplne vybije. Vždy prerušte prácu s nástrojom a nabíjate akumulátor, keď spozorujete nižší výkon nástroja.
2. Nikdy nenabíjate plne nabitý akumulátor. Prebíjanie skracuje životnosť akumulátora.
3. Akumulátor nabíjajte pri izbovej teplote 10 °C – 40 °C (50 °F – 104 °F). Pred nabíjaním nechajte horúci akumulátor vychladnúť.
4. Litium-iónový akumulátor nabíjate, ak ste ho nepoužívali dlhšie ako šesť mesiacov.

OPIS FUNKCIÍ

▲POZOR: Pred úpravou alebo kontrolou funkčnosti nástroja vždy skontrolujte, či je nástroj vypnutý a akumulátor je vybatý.

▲POZOR: Dávajte pozor, aby sa vám pri vkladaní akumulátora do vŕsáča do priestoru medzi nimi nedostali prsty. Zachytenie prstov v tomto priestore môže spôsobiť zranenie.

► Obr.1

Inštalácia alebo demontáž akumulátora

▲POZOR: Pred inštaláciou alebo vybratím akumulátora nástroj vždy vypnite.

▲POZOR: Pri inštalovaní a vyberaní akumulátora pevne uchopte nástroj a akumulátor. Ak nástroj a akumulátor pevne neuchopíte, môže to mať za následok vyšmyknutie z vašich rúk s dôsledkom poškodenia nástroja a akumulátora, ako aj osobných poranení.

► Obr.2: 1. Červený indikátor 2. Tlačidlo 3. Akumulátor

Ak chcete vybrať akumulátor, vysuňte ho z nástroja, pričom posuňte tlačidlo na prednej strane akumulátora.

Akumulátor vložíte tak, že jazýček akumulátora zarovnáte s drážkou v kryte a zasuniete ho na miesto. Zatlačte ho úplne, kým zakliknutím nezapadne na miesto. Ak vidíte červený indikátor na hornej strane tlačidla, nie je správne zapadnutý.

▲POZOR: Akumulátor vždy nainštalujte úplne, až kým nie je vidieť červený indikátor. V opačnom prípade môže náhodne vypadnúť z nástroja a ublížiť vám alebo osobám v okolí.

▲POZOR: Pri inštalovaní akumulátora nepoužívajte silu. Ak sa akumulátor nedá zasunúť ľahko, nevkladáte ho správne.

Systém ochrany akumulátora

Nástroj je vybavený systémom ochrany nástroja/akumulátora. Tento systém automaticky vypne napájanie motora s cieľom predĺžiť životnosť nástroja a akumulátora. Nástroj sa počas prevádzky automaticky zastaví v prípade, ak sa nástroj alebo akumulátor dostanú do jedného z nasledovných stavov.

Preťaženie:

Nástroj je prevádzkovaný spôsobom, ktorý spôsobuje odber nadmerne vysokého prúdu.

V tejto situácii vypnite nástroj a ukončite prácu, ktorá spôsobuje preťažovanie nástroja. Potom nástroj zapnutím znova spustíte.

Ak sa nástroj nespustí, akumulátor je prehriaty. V tejto situácii nechajte akumulátor pred opätovným zapnutím náradia vychladnúť.

Nízke napätie akumulátora:











Zostávajúca kapacita akumulátora je veľmi nízka a nástroj nebude fungovať. V tejto situácii akumulátor vyberte a nabite ho.

Indikácia zvyšnej kapacity akumulátora

Len na akumulátory s indikátorom

► Obr.3: 1. Indikátory 2. Tlačidlo kontroly

Stlačením tlačidla kontroly na akumulátore zobrazíte zostávajúcu kapacitu akumulátora. Indikátory sa na niekoľko sekúnd rozsvietia.

Indikátory			Zostávajúca kapacita
 Svieti	 Nesvieti	 Bliká	
			75 % až 100 %
			50 % až 75 %
			25 % až 50 %
			0 % až 25 %
			Akumulátor nabíe.
			Akumulátor je možno chybný.
			

POZNÁMKA: V závislosti od podmienok používania a v závislosti od okolitej teploty sa môže zobrazenie mierne odlišovať od skutočnej kapacity.

Zapínanie

► Obr.4: 1. Tlačidlo ZAPNUTIA/zmeny rýchlosti
2. Tlačidlo VYPNUTIA

Na zapnutie vysávača jednoducho stlačte tlačidlo ZAPNUTIA/zmeny rýchlosti. Na vypnutie stlačte tlačidlo VYPNUTIA. Otáčky vysávača môžete zmeniť v troch krokoch stlačením tlačidla ZAPNUTIA/zmeny rýchlosti.

Pri prvom stlačení tlačidla zapnete režim vysokých otáčok, pri druhom režim maximálnych otáčok a pri treťom režim normálnych otáčok. Pri každom stlačení tlačidla sa budú cyklicky prepínať vysoké/maximálne/normálne otáčky.

Rozsvietenie kontrolky

▲POZOR: Nedívať sa priamo do svetla ani jeho zdroja.

Na zapnutie svetla stlačte tlačidlo ZAPNUTIA/zmeny rýchlosti. Stlačením tlačidla VYPNUTIA vypnete svetlo. Svetlo sa zapína počas používania zariadenia. Ak je zostávajúca kapacita akumulátora nízka, svetlo začne blikať.

► Obr.5: 1. Tlačidlo ZAPNUTIA/zmeny rýchlosti
2. Tlačidlo VYPNUTIA 3. Lampa

POZNÁMKA: Čas, kedy začne svetlo blikať, závisí od teploty na pracovisku a na stave akumulátora.

ZOSTAVENIE

▲POZOR: Pred vykonaním akejkoľvek práce na nástroji vždy skontrolujte, či je nástroj vypnutý a akumulátor je vybrať.

Popis súčastí

Voliteľné príslušenstvo

Vysokovýkonný filter a podpera a penový filter

► Obr.6: 1. Puzdro 2. Vysokovýkonný filter 3. Podpera a penový filter

Predfilter alebo vysokovýkonný filter a filter HEPA

► Obr.7: 1. Puzdro 2. Predfilter 3. Vysokovýkonný filter 4. Filter HEPA

UPOZORNENIE: Nepoužívajte vysokovýkonný filter s filtrom (voliteľné príslušenstvo). Môže sa stať, že sa vysokovýkonný filter nebude dať vybrať z vysávača.

POZNÁMKA: Pri používaní voliteľného predfiltera a filtra s filtrom HEPA používajte len predfilter pred filtrom HEPA. Ak použijete predfilter a filter s filtrom HEPA naraz, sací výkon môže byť nižší.

POZNÁMKA: Pri používaní filtra HEPA s vysokovýkonným filtrom použite vysokovýkonný filter s podperou.

► Obr.8: 1. Podpera

Likvidácia prachu

⚠️ POZOR: Vysávač vyprázdňte ešte pred úplným zaplnením, inak dôjde k zníženiu sacieho výkonu.

⚠️ POZOR: Vnútro vysávača nezabudnite očistiť od prachu. V opačnom prípade môže dôjsť k upchaniu filtra alebo k poškodeniu motora.

Zachytávaniu prachu na filtri v puzdre zabránite, keď 4- alebo 5-krát poklepte rukou po puzdre.

► **Obr.9:** 1. Puzdro 2. Nasávací otvor

Otočte nasávací otvor smerom nadol, otočte puzdro v smere šípky zobrazenej na schéme a pomaly a priamym smerom odpojte puzdro.

► **Obr.10:** 1. Puzdro 2. Nasávací otvor

POZNÁMKA: Po otvorení puzdra môže dôjsť k rozsypaniu prachu, preto pod puzdro podložte vrečko na odpadky.

Odstráňte nahromadený prach z vnútra puzdra a z vysokovýkonného filtra.

► **Obr.11:** 1. Puzdro 2. Vysokovýkonný filter

Vysokovýkonný filter otočte v smere šípky, čím uvoľníte zaisťujúci okraj od jednotky vysávača; následne filter vyťahnite.

► **Obr.12:** 1. Zaisťujúci okraj

POZNÁMKA: Pri používaní predfiltera takisto postupujte podľa postupu uvedeného vyššie.

Vyčistite jemný prach a jemným poklepaním odstráňte prach z vysokovýkonného filtra.

Spätná montáž

Pripojte vysokovýkonný filter. V tomto štádiu otočte vysokovýkonný filter tak, aby došlo k pevnému zablokovaniu zaisťujúceho okraja k jednotke vysávača.

► **Obr.13:** 1. Vysokovýkonný filter

► **Obr.14:** 1. Zaisťujúci okraj

UPOZORNENIE: Pred použitím vysávača vždy skontrolujte správnosť osadenia vysokovýkonného filtra. V prípade nesprávneho nasadenia sa prach bude dostávať do motorovej skrine, dôsledkom čoho bude porucha motora.

Ak dôjde k problému opísanému ďalej, vysokovýkonný filter je osadený nesprávne. Správnym založením problém odstránite.

Pripevnite puzdro. Zarovnajete znak na puzdre so znakom na rukoväti a následne pevne otočte puzdro v smere šípky, až kým nedôjde k jeho zablokovaniu.

► **Obr.15:** 1. Značka 2. Rukoväť 3. Puzdro

POZNÁMKA: Prach vždy odstraňujte v dostatočnom predstihu, pretože pokiaľ bude vo vysávači veľa prachu, dôjde k zníženiu sacieho výkonu.

Príklady problémov

Zaisťujúci okraj vysokovýkonného filtra nie je pevne zablokovaný v drážke na skrini vysávača.

► **Obr.16:** 1. Zaisťujúci okraj 2. Drážka skrine vysávača

Montáž a demontáž podpery/filtra HEPA

Voliteľné príslušenstvo

Pre podperu a penový filter

Ak chcete odstrániť podperu, prstami potlačte spodnú časť stĺpikov z podpery a uvoľníte drážku z výčnelka na vysávači. Potom vyberte penový filter.

► **Obr.17:** 1. Podpera 2. Penový filter

Pri vkladaní zarovnajete drážky na podpere s výčnelkami na vysávači a zatlačte, aby zacvakla.

Vložte penový filter medzi stĺpiky a dajte ho späť na pôvodné miesto.

Pre filter HEPA

Pri inštalácii filtra HEPA zarovnajete drážku filtra HEPA s výčnelkom na vysávači. Potom vložte predfilter alebo vysokovýkonný filter na filter HEPA a zaisťte otočením. Pri demontáži postupujte podľa postupu montáže v opačnom poradí.

► **Obr.18:** 1. Filter HEPA 2. Predfilter

► **Obr.19:** 1. Filter HEPA 2. Vysokovýkonný filter

PREVÁDZKA

⚠️ POZOR: Pri práci s vysávačom sa nepribližujte tvárou k vetracím otvorom. Ak sa fúku do očí cudzie predmety, môže to spôsobiť zranenie.

Montáž a demontáž nadstavca vysávača

⚠️ POZOR: Po vložení nadstavca skontrolujte, či je pevne uchytený. Ak nadstavec nie je vložený správne, mohol by sa uvoľniť a spôsobiť poranenie.

⚠️ POZOR: Pri vyberaní nadstavca si dávajte pozor, aby ste si neuderili ruku o stenu a pod.

Pri používaní predlžovacej tyče s funkciou zaisťenia

Predlžovací tyč vkladajte cez nasávací otvor vysávača, kým nezacvakne. Uistite sa, že je predlžovacia tyč zaisťená.

► **Obr.20:** 1. Nasávací otvor 2. Predlžovacia tyč 3. Háčik

POZNÁMKA: Pri vkladaní predlžovacej tyče zarovnajete uvoľňovacie tlačidlo s háčikom na predlžovacej tyči. Ak nie sú zarovnané, tyč sa nezaistí a môže sa uvoľniť z vysávača.

POZNÁMKA: Predlžovací tyč bez funkcie zaisťenia (voliteľné príslušenstvo) vkladajte tak, že ju otočíte a vložíte do nasávacieho otvoru vysávača v smere šípky. Pri odpájaní ju otočte a vyťahnite tiež v smere šípky.

► Obr.21

Pri vyberaní stlačte uvoľňovacie tlačidlo a vytiahnite predlžovaciu tyč.

► **Obr.22:** 1. Uvoľňovacie tlačidlo 2. Predlžovacia tyč

Pri používaní hubice

▲POZOR: Ak chcete pripojiť hubicu, otočte a zasuňte ju v smere šípky, aby bola počas používania zaistená. Pokiaľ chcete odpojiť príslušenstvo, otočte ho a vytiahnite v smere šípky. Pokiaľ hubicu otočíte v opačnom smere, puzdro sa môže uvoľniť.

Pri vkladaní hubicu otočte a vložte do nasávacieho otvoru vysávača alebo na koniec predlžovacej tyče. Ak ju chcete demontovať, otočte ju a vytiahnite.

► **Obr.23**

Čistenie (vysávanie)

Hubica

Nasadte hubicu, keď chcete čistiť stoly, pracovné stoly, nábytok a pod. Hubica sa ľahko nasúva.

► **Obr.24:** 1. Hubica

Hubica + predlžovacia tyč (rovná trubica)

Predlžovacia tyč sa vkladá medzi hubicu a samotný vysávač. Toto usporiadanie je praktické pri vysávaní podlahy postojacky.

► **Obr.25:** 1. Hlavná časť vysávača 2. Predlžovacia tyč 3. Hubica

Rohová hubica

Nasadte rohová hubicu, keď chcete vysávať v rohoch a štrbinách v aute alebo na nábytku.

► **Obr.26:** 1. Rohová hubica 2. Hlavná časť vysávača

Rohová hubica + predlžovacia tyč (rovná trubica)

Toto usporiadanie použite v tesných rohoch, kam sa samotný vysávač nepretlačí, alebo na vysokých ťažko dosiahnuteľných miestach.

► **Obr.27:** 1. Rohová hubica 2. Predlžovacia tyč 3. Hlavná časť vysávača

Vysávanie bez hubice

Prášok a prach môžete vysávať aj bez hubice.

► **Obr.28**

Na vysávanie podlahy postojacky je pohodlné pripojiť k vysávaču predlžovaciu tyč.

► **Obr.29:** 1. Predlžovacia tyč

ÚDRŽBA

▲POZOR: Pred vykonaním kontroly alebo údržby vždy skontrolujte, či je nástroj vypnutý a akumulátor je vybatý.

Ak chcete udržať BEZPEČNOSŤ a BEZPORUCHOVOSŤ výrobku, prenechajte opravy, údržbu a nastavenie na autorizované alebo továrenské servisné centrá Makita, ktoré používajú len náhradné diely značky Makita.

Po použití

UPOZORNENIE: Ak vysávač opriete o stenu bez akejkoľvek inej podpory, vysávač môže spadnúť a poškodiť sa.

► **Obr.30**

Čistenie

UPOZORNENIE: Nepoužívajte benzín, riedidlo, alkohol ani podobné látky. Mohlo by to spôsobiť zmenu farby, deformácie alebo praskliny.

UPOZORNENIE: Neodfukujte prach usadený na vysávači pomocou odfukovača vzduchu. Spôsobí to vniknutie prachu do krytu a môže dôjsť k poruche.

UPOZORNENIE: Pred ďalším použitím umyté filtre dôkladne vysušte. Nedostatočne vysušené filtre môžu zapríčiniť slabý výkon nasávania a skrátiť životnosť motora.

UPOZORNENIE: Po vyčistení filtrov a penového filtra ich nezabudnite pred použitím nainštalovať späť. Ak použijete vysávač bez filtrov a penového filtra, dostane sa prach do krytu motora a spôsobí poruchu.

Hlavná časť vysávača

Z času na čas utrite vonkajšie plochy (telo vysávača) pomocou handričky navlhčenej v mydlovej vode. Vyčistite aj sací otvor a montážnu oblasť filtrov.

► **Obr.31**

Vysokovýkonný filter

Keď je filter zanesený prachom a výkon vysávača slabne, vyperte filter v mydlovej vode. Pred použitím filter dôkladne vysušte.

► **Obr.32**

Filter HEPA

Voliteľné príslušenstvo

UPOZORNENIE: Po HEPA filtri nešúchajte ani neškriabte tvrdými predmetmi, ako sú kefka a škrabka.

Zanesený HEPA filter spôsobuje slabý sací výkon. Filter občas vyčistite.

Príležitostne vyperte filter HEPA vo vode, opláchnite ho a pred použitím nechajte dôkladne vyschnúť na tienistom mieste. Filter nikdy neperte v práčke.

► **Obr.33**

Penový filter

Keď je penový filter znečistený, vyčistíte ho nasledujúcim spôsobom.

1. Vyberte filter.
 2. Vytiahnite penový filter z priestoru medzi stĺpkami.
 3. Penový filter vyprášte alebo umyte. Ak filter umyjete, pred použitím ho dôkladne vysušte.
 4. Vložte penový filter do priestoru medzi stĺpkami a dajte ho späť na pôvodné miesto. Uistite sa, že spodný okraj každého stĺpika pridržiava penový filter, a že medzi penovým filtrom a nasávacím otvorom nie je žiadna medzera.
- **Obr.34:** 1. Penový filter 2. Spodný okraj stĺpika

Nástenný držiak pre akumulátorový vysávač

Voliteľné príslušenstvo

POZNÁMKA: Skrutka na montáž držiaka nie je súčasťou balenia. Pripravte si skrutku, ktorá je vhodná pre materiál, do ktorého ju chcete zavŕtať.

Nástenný držiak pre akumulátorový vysávač pripievajte na tvrdú drevenú stenu, trám alebo stĺp, kde sa nástenný držiak pre akumulátorový vysávač dá pevne prichytiť. Pred zavesením vysávača sa uistite, že nástenný držiak pre akumulátorový vysávač je pevne prichytený.

- **Obr.35:** 1. Nástenný držiak pre akumulátorový vysávač

⚠ POZOR: Vysávač nevešajte na nástenný držiak prudko, ani na držiak nevešajte iné predmety ako vysávač.

Odstraňovanie problémov

Skôr, než požiadate o opravu, preverte nasledujúce body.

Príznak	Čo treba skontrolovať	Spôsob nápravy
Slabý sací výkon	Je puzdro plné prachu?	Vyprázdňte prach z puzdra.
	Je filter upchatý?	Vyčistite alebo opláchnite filter.
	Je vybitý akumulátor?	Akumulátor nabite.
Náradie nefunguje	Je vybitý akumulátor?	Akumulátor nabite.

⚠ POZOR: Opravu sa nepokúšajte vykonať sami.

VOLITEĽNÉ PRÍSLUŠENSTVO

⚠ POZOR: Pre váš nástroj Makita, opísaný v tomto návode, doporučujeme používať toto príslušenstvo a nástavce. Pri použití iného príslušenstva či nástavcov môže hroziť nebezpečenstvo zranenia osôb. Príslušenstvo a nástavce sa môžu používať len na účely pre ne stanovené.

Ak potrebujete bližšie informácie týkajúce sa tohoto príslušenstva, obráťte sa na vaše miestne servisné stredisko firmy Makita.

- Predlžovacia tyč (rovná trubica)
- Hubica
- Hubica na vysávanie kobercov
- Kečka na vysávanie políc
- Rohová hubica
- Okrúhla kečka
- Ohybná hadica
- Filter
- Prefilter
- Vysokovýkonný filter
- Filter HEPA
- Originálna batéria a nabíjačka Makita

- Samostatná hubica
- Hubica na čalúnenie
- Štrbinová hubica
- Nástenný držiak pre akumulátorový vysávač

POZNÁMKA: Niektoré položky zo zoznamu môžu byť súčasťou balenia nástrojov vo forme štandardného príslušenstva. Rozsah týchto položiek môže byť v každej krajine odlišný.

VAROVÁNÍ

Zařízení mohou používat děti od 8 let a osoby s omezenými fyzickými, smyslovými či duševními schopnostmi nebo s nedostatečnými zkušenostmi a znalostmi, jestliže jsou pod dohledem nebo pokud byly ohledně bezpečného používání výrobku poučeny a rozumí souvisejícím rizikům. Nedovolte dětem, aby si se zařízením hrály. Čištění a užitelskou údržbu nesmějí provádět děti bez dozoru.

SPECIFIKACE

Model:	DCL281F	
Kapacita	750 mL	
Opakované použití (s akumulátorem BL1830B)	1 (Režim normálních otáček)	Přibližně 50 min
	2 (Režim vysokých otáček)	Přibližně 20 min
	3 (Režim maximálních otáček)	Přibližně 15 min
Celková délka	1 016 mm	
Jmenovité napětí	18 V DC	
Čistá hmotnost	1,2 – 1,6 kg	

- Vzhledem k neustálému výzkumu a vývoji zde uvedené technické údaje podléhají změnám bez upozornění.
- Specifikace se mohou pro různé země lišit.
- Uvedená hmotnost nezahrnuje příslušenství kromě akumulátorů. Tabulka uvádí nejlehčí a nejtěžší kombinace zařízení a akumulátorů.

Použitelný akumulátor a nabíječka

Akumulátor	BL1815N / BL1820 / BL1820B / BL1830 / BL1830B / BL1840 / BL1840B / BL1850 / BL1850B / BL1860B
Nabíječka	DC18RC / DC18RD / DC18RE / DC18SD / DC18SE / DC18SF

- V závislosti na regionu vašeho bydliště nemusí být některé akumulátory a nabíječky k dispozici.

VAROVÁNÍ: Používejte pouze výše uvedené akumulátory a nabíječky. Použití jiných akumulátorů a nabíječek může způsobit zranění a/nebo požár.

Symbols

Níže jsou uvedeny symboly, se kterými se můžete při použití náradí setkat. Je důležité, abyste dříve, než s ním začnete pracovat, pochopili jejich význam.



Přečtěte si návod k obsluze.



Pouze pro země EU
Elektrické zařízení ani akumulátor nelikvidujte současně s domovním odpadem! Vzhledem k dodržování evropských směrnic o odpadních elektrických a elektronických zařízeních a směrnice o bateriích, akumulátorech a odpadních bateriích a akumulátorech s jejich implementací v souladu s národními zákony musí být elektrická zařízení, baterie a akumulátory po skončení životnosti odděleně shromážděny a předány do ekologicky kompatibilního recyklačního zařízení.

Účel použití

Nástroj je určen k vysávání suchého prachu.

BEZPEČNOSTNÍ VÝSTRAHY

Bezpečnostní varování k akumulátorovému vysavači

VAROVÁNÍ: DŮLEŽITÉ: PŘED POUŽITÍM SI POZORNĚ PŘEČTĚTE veškeré bezpečnostní výstrahy a všechny pokyny. Zanedbání výstrah a pokynů může mít za následek úraz elektrickým proudem, vznik požáru nebo vážné zranění.

1. Nevystavujte zařízení dešti. Skladujte ve vnitřních prostorech.
2. Nedovoďte, aby si se zařízením hrály děti. Při používání dětmi nebo v jejich blízkosti je vyžadována zvýšená pozornost.
3. Se zařízením pracujte pouze v souladu s touto příručkou. Používejte pouze nástavce doporučené výrobcem.
4. Přístroj nepoužívejte s poškozeným akumulátorem. Jestliže zařízení nepracuje správně, upadlo, bylo poškozeno, ponecháno venku nebo spadlo do vody, předejte je k opravě v servisním středisku.
5. Se zařízením nemanipulujte mokřýma rukama.
6. Nevkládejte žádné předměty do otvorů. S vysavačem nepracujte, pokud je nějaký otvor zablokován – otvory udržujte v čistotě od prachu, chuchvalců, vlasů a všech nečistot, jež by mohly bránit průchodu vzduchu.
7. Vlasy, volný oděv, prsty a žádné části těla nepřibližujte k otvorům a pohyblivým částem.
8. Před vyjmutím akumulátoru vypněte všechny ovládací prvky.
9. Zvláště opatrní buďte při práci na schodech.
10. Přístroj nepoužívejte k vysávání hořlavých či zápalných kapalin, například benzínu, a nepracujte v místech, kde se tyto látky mohou vyskytovat.
11. K nabíjení používejte pouze nabíječku doporučenou výrobcem.
12. Nevysávejte nic hořícího či doutnajícího, například cigarety, zápalky ani horký popel.
13. Nepoužívejte bez vaku na prach nebo filtrů.
14. Nenabíjejte akumulátor venku.
15. Nabíjení provádějte pouze pomocí nabíječky určené výrobcem. Nabíječka vhodná pro jeden typ akumulátoru může při použití s jiným akumulátorem vést ke vzniku nebezpečí požáru.
16. Elektrické nářadí používejte pouze s určenými akumulátory. Použití jiných akumulátorů může vyvolat nebezpečí zranění a požáru.
17. Není-li akumulátor používán, uložte jej v místě bez kovových předmětů, jimiž jsou například kancelářské sponky, mince, klíče, hřebíky, šrouby či jiné drobné kovové předměty, jež by mohly spojit kontakty.
18. Při hrubém zacházení může z akumulátoru uniknout elektrolyt. Vyvarujte se styku s ním. Pokud dojde k náhodnému kontaktu, omyjte zasažené místo vodou.

19. **Nepoužívejte poškozený nebo upravený akumulátor nebo nářadí.** U poškozených nebo upravených akumulátorů může dojít k neočekávanému chování, které může mít za následek požár, výbuch nebo riziko poranění.
20. **Akumulátor nebo nářadí nevystavujte ohni nebo vysokým teplotám.** Při vystavení záru ohně nebo teplotám nad 130 °C může dojít k výbuchu.
21. **Postupujte dle nabíjecích pokynů a akumulátor nebo nářadí nenabíjejte mimo teplotní rozsah specifikovaný v pokynech.** Nesprávné nabíjení při teplotách mimo stanovený rozsah může poškodit akumulátor a zvýšit riziko požáru.

TYTO POKYNY USCHOVEJTE.

DOPLŇKOVÁ BEZPEČNOSTNÍ PRAVIDLA

Toto zařízení je určeno k použití v domácnosti.

1. Před použitím si pozorně přečtěte tento návod k obsluze a návod k obsluze nabíječky.
2. **Nevysávejte následující materiály:**
 - Žhavé materiály jako hořící cigarety, jiskry nebo kovový prach vznikající při broušení či řezání kovu
 - Hořlavé materiály jako benzín, ředidlo, benzen, petrolej či barvy
 - Výbušné materiály jako nitroglycerin
 - Zápalné materiály jako hliník, zinek, magnezium, titan, fosfor či celuloid
 - Vlhké nečistoty, vodu, olej apod
 - Tvrdé střepy s ostrými hranami, například dřevěné třísky, kovové, kamenné a skleněné odštěpky, hřebíky, špendlíky, holicí čepelky
 - Tvrdnoucí prach, například cement či toner
 - Vodivý prach, například kovový či uhelný
 - Jemné částice, například betonový prach**Takový postup může způsobit požár, zranění či škody na majetku.**
3. Pokud si během provozu povšimnete čehokoliv neobvyklého, přerušete okamžitě práci.
4. Pokud vysavač upustíte nebo do něho silně bouchnete, zkontrolujte před použitím, zda nedošlo k jeho poškození.
5. Udržujte jej v bezpečné vzdálenosti od sporáků a jiných zdrojů tepla.
6. **Neblokujte nasávací otvor a větrací otvory.**

TYTO POKYNY USCHOVEJTE.

Důležitá bezpečnostní upozornění pro akumulátor

1. Před použitím akumulátoru si přečtěte všechny pokyny a varovné symboly na (1) nabíječce, (2) akumulátoru a (3) výrobku využívajícím akumulátor.
2. Akumulátor nerozebírejte.
3. Pokud se příliš zkrátí provozní doba akumulátoru, přerušete okamžitě práci. V opačném případě existuje riziko přehřívání, popálení nebo dokonce výbuchu.

4. Budou-li vaše oči zasaženy elektrolytem, vypláchněte je čistou vodou a okamžitě vyhledejte lékařskou pomoc. Může dojít ke ztrátě zraku.
5. Akumulátor nezkratujte:
 - (1) Nedotýkejte se svorek žádným vodivým materiálem.
 - (2) Neskládajte akumulátor v nádobě s jinými kovovými předměty, jako jsou hřebíky, mince, apod.
 - (3) Nevystavuje akumulátor vodě a dešti.
 Zkrat akumulátoru může způsobit velký průtok proudu, přehřátí, možné popálení a dokonce i poruchu.
6. Neskládejte nářadí a akumulátor na místech, kde může teplota překročit 50 °C (122 °F).
7. Nespalujte akumulátor, ani když je vážně poškozen nebo úplně opotřeben. Akumulátor může v ohni vybuchnout.
8. Dávejte pozor, abyste akumulátor neupustili ani s ním nenarazili.
9. Nepoužívejte poškozené akumulátory.
10. Obsažené lithium-iontové akumulátory podléhají právním požadavkům na nebezpečné zboží.

V případě komerční přepravy například externími dopravci je třeba dodržet zvláštní požadavky na balení a značení.

Pro přípravu zboží k přepravě je nutná konzultace s odborníkem na nebezpečný materiál. Dodržujte také případné podrobnější národní předpisy.

Odkryté kontakty přelepte izolační páskou či jinak zakryjte a akumulátor zabalte tak, aby se v balení nemohly pohybovat.

11. Při likvidaci akumulátoru postupujte podle místních předpisů.
12. Akumulátor používejte pouze s výrobky specifikovanými společností Makita. Instalace akumulátoru do nevhodujících výrobků může způsobit požár, nadměrné zahřívání, explozi nebo únik elektrolytu.

TYTO POKYNY USCHOVEJTE.

⚠️ UPOZORNĚNÍ: Používejte pouze originální akumulátory Makita. Používání neoriginálních nebo upravených akumulátorů může způsobit explozi akumulátoru a následný požár, zranění a jiné poškození. Zaniká tím také záruka společnosti Makita na nářadí a nabíječku Makita.

Tipy k zajištění maximální životnosti akumulátoru

1. Akumulátor nabíjte dříve, než dojde k jeho úplnému vybití. Pokud si povšimnete sníženého výkonu nářadí, vždy jej zastavte a dobijte akumulátor.
2. Nikdy nenabíjete úplně nabitý akumulátor. Přebíjení zkracuje životnost akumulátoru.
3. Akumulátor dobíjete při pokojové teplotě od 10 °C do 40 °C (50 °F až 104 °F). Před nabíjením nechejte horký akumulátor zchladnout.
4. Pokud se akumulátor delší dobu nepoužívá (déle než šest měsíců), je nutno jej dobít.

POPIS FUNKCÍ

⚠️ UPOZORNĚNÍ: Před nastavováním nářadí nebo kontrolou jeho funkce se vždy přesvědčte, zda je vypnuté a je vyjmutý akumulátor.

⚠️ UPOZORNĚNÍ: Dejte pozor, abyste si při nasazování akumulátoru nepřiskřípli prsty mezi vysavač a akumulátor (viz obrázek). Přiskřípnutí prstů může způsobit zranění.

► Obr.1

Nasazení a sejmutí akumulátoru

⚠️ UPOZORNĚNÍ: Před nasazením či sejmutím akumulátoru nářadí vždy vypněte.

⚠️ UPOZORNĚNÍ: Při nasazování či snímání akumulátoru pevně držte nářadí i akumulátor. V opačném případě vám může nářadí nebo akumulátor vyklouznout z rukou a mohlo by dojít k jejich poškození či ke zranění.

► Obr.2: 1. Červený indikátor 2. Tlačítko 3. Akumulátor

Chcete-li akumulátor sejmout, vysuňte jej se současným přesunutím tlačítka na přední straně akumulátoru.

Při nasazování akumulátoru vyrovnejte jazýček na bloku akumulátoru s drážkou v krytu a zasuňte akumulátor na místo. Akumulátor zasuňte na doraz, až zacvakne na své místo. Není-li tlačítko zcela zajištěno, uvidíte na jeho horní straně červený indikátor.

⚠️ UPOZORNĚNÍ: Akumulátor zasunujte vždy zcela tak, aby nebyl červený indikátor vidět. Jinak by mohl akumulátor ze zařízení vypadnout a způsobit zranění obsluze či přihlížejícím osobám.

⚠️ UPOZORNĚNÍ: Akumulátor nenasazujte násilím. Nelze-li akumulátor zasunout snadno, nekláďte jej správně.

System ochrany akumulátoru

Nářadí je vybaveno systémem ochrany nářadí a akumulátoru. Tento systém automaticky přeruší napájení motoru, aby se prodloužila životnost nářadí a akumulátoru. Budou-li nářadí nebo akumulátor vystaveny některé z níže uvedených podmínek, nářadí se během provozu automaticky vypne.

Přetížení:

S nářadím se pracuje takovým způsobem, že dochází k odběru mimořádně vysokého proudu.

V takové situaci nářadí vypne a ukončete činnost, při níž došlo k přetížení nářadí. Potom nářadí zapnete a obnovte činnost.

Jestliže se nářadí nespustí, došlo k přehřátí akumulátoru. V takovém případě nechte akumulátor před opětovným zapnutím nářadí vychladnout.

Nízké napětí akumulátoru:

















Zbývající kapacita akumulátoru je příliš nízká a nářadí nebude fungovat. V takovém případě vyjměte akumulátor a dobijte jej.

Indikace zbývající kapacity akumulátoru

Pouze pro akumulátory s diodovým ukazatelem

► Obr.3: 1. Kontrolky 2. Tlačítko kontroly

Stisknutím tlačítka kontroly na akumulátoru zjistíte zbývající kapacitu akumulátoru. Kontrolky indikátoru se na několik sekund rozsvítí.

Kontrolky			Zbývající kapacita
 Svítí	 Nesvítí	 Bliká	
			75 % až 100 %
			50 % až 75 %
			25 % až 50 %
			0 % až 25 %
			Nabijte akumulátor.
			Došlo pravděpodobně k poruše akumulátoru.
			

POZNÁMKA: Kapacita udávaná indikátorem se může mírně lišit od skutečné kapacity v závislosti na podmínkách používání a teplotě prostředí.

Používání spouště

► Obr.4: 1. Tlačítko zapnutí / volby otáček 2. Tlačítko vypnutí

Vysavač spustíte jednoduše stisknutím tlačítka zapnutí / volby otáček. Vypnutí provedete stisknutím tlačítka vypnutí.

Otáčky vysavače můžete měnit ve třech krocích tlačítkem zapnutí / volby otáček.

Prvním stisknutím tlačítka se spouští režim vysokých otáček, druhým stisknutím režim maximálních otáček a třetím stisknutím režim normálních otáček. Každým stisknutím tlačítka se střídavě opakuje cyklus vysokých, maximálních a normálních otáček.

Rozsvícení světla

⚠ UPOZORNĚNÍ: Nedívejte přímo do světla nebo jeho zdroje.

Osvětlení zapnete stisknutím tlačítka zapnutí / volby otáček. Osvětlení vypnete stisknutím tlačítka vypnutí. Během používání zařízení osvětlení svítí.

Při nízké zbývající kapacitě akumulátoru začne osvětlení blikat.

► Obr.5: 1. Tlačítko zapnutí / volby otáček 2. Tlačítko vypnutí 3. Světlo

POZNÁMKA: Doba, kdy začne osvětlení blikat, závisí na teplotě na pracovišti a stavu akumulátoru.

SESTAVENÍ

⚠ UPOZORNĚNÍ: Před prováděním jakýchkoli prací na nářadí se vždy přesvědčte, zda je vypnuté a je vyjmutý akumulátor.

Popis součástí

Volitelné příslušenství

Vysoce účinný filtr a košík s pěnovým filtrem

► Obr.6: 1. Pouzdro 2. Vysoce účinný filtr 3. Košík a pěnový filtr

Předfiltr nebo vysoce účinný filtr a HEPA filtr

► Obr.7: 1. Pouzdro 2. Vstupní filtr 3. Vysoce účinný filtr 4. HEPA filtr

POZOR: Nepoužívejte vysoce účinný filtr spolu s filtrem (volitelné příslušenství). Vysoce účinný filtr pak nemusí být možné z vysavače odstranit.

POZNÁMKA: Při používání volitelného předfiltru a filtru s HEPA filtrem používejte pouze předfiltr přetažený přes HEPA filtr. Pokud zároveň používáte předfiltr a filtr s HEPA filtrem, může dojít ke snížení sacího výkonu.

POZNÁMKA: Při používání HEPA filtru s vysoce účinným filtrem použijte vysoce účinný filtr s košíkem.

► Obr.8: 1. Košík

Vysypávání prachu

⚠ UPOZORNĚNÍ: Vyprázdněte vysavač před tím, než bude příliš plný, nebo když se sníží síla sání.

⚠ UPOZORNĚNÍ: Také vyčistěte od prachu vnitřní prostor vysavače. V opačném případě může dojít k ucpaní filtru nebo poškození motoru.

Prach ulpělý na filtru v pouzdro odstraníte poklepáním na pouzdro rukou (4krát či 5krát).

► Obr.9: 1. Pouzdro 2. Vstup sání

Nasměrujte sací otvor dolů, otočte pouzdrem ve směru šipky podle obrázku a pouzdro pomalu zpřímá vytáhněte.

► Obr.10: 1. Pouzdro 2. Vstup sání

POZNÁMKA: Při otevření pouzdra se může rozsypat prach – pod pouzdro si položte sáček na smětí.

Z vnitřku pouzdra a vysoce účinného filtru odstraňte nahromaděný prach.

► Obr.11: 1. Pouzdro 2. Vysoce účinný filtr

Vysoce účinným filtrem otočte ve směru šipky, uvolněte zajišťovací výstupek z jednotky vysavače a pak filtr vyjměte.

► Obr.12: 1. Zajišťovací výstupek

POZNÁMKA: Pokud používáte předfiltr, postupujte také podle pokynů výše.

Odstraňte jemný prach a lehce poklepejte na vysoce účinný filtr, abyste uvolnili všechny prach.

Sestavení

Připojte vysoco účinný filtr. Nyní zajistěte natočení vysoco účinného filtru tak, aby byl zajišťovací výstupek pevně zajištěn v jednotce vysavače.

► **Obr.13:** 1. Vysoco účinný filtr

► **Obr.14:** 1. Zajišťovací výstupek

POZOR: Před použitím vysavače vždy zkontrolujte, zda je vysoco účinný filtr správně nasazen. Při nesprávném nasazení pronikne prach do pláště motoru a způsobí poruchu motoru.

Pokud později dojde k popsanému problému, byl vysoco účinný filtr nasazen nesprávně. Pro vyřešení problému jej nasadte správně.

Připojte pouzdro. Zarovnejte značku na pouzdru se značkou na rukojeti a pak pouzdro otočením pevně otočte ve směru šipky, dokud nebude zajištěno na místě.

► **Obr.15:** 1. Značka 2. Držadlo 3. Pouzdro

POZNÁMKA: Prach vždy odstraňujte včas, neboť příliš mnoho prachu ve vysavači sníží sací výkon.

Příklady problémů

Zajišťovací jazýček vysoco účinného filtru není pevně nasazen v drážce pláště vysavače.

► **Obr.16:** 1. Zajišťovací výstupek 2. Drážka v plášti vysavače

Vyjmutí a vložení košíku / HEPA filtru

Volitelné příslušenství

Pro košík a pěnový filtr

Pro vyjmutí košíku prsty zatlačte spodní část sloupců košíků a uvolněte drážku z výstupku na vysavači. Poté pěnový filtr vyjměte.

► **Obr.17:** 1. Košík 2. Pěnový filtr

Pro vložení zarovnejte drážky na košíku s výstupkem na vysavači a zatlačte jej, dokud se nezacvakne.

Vložte pěnový filtr do prostoru mezi sloupci a vraťte jej do původní polohy.

Pro HEPA filtr

Pro vložení HEPA filtru zarovnejte drážku HEPA filtru s výstupkem na vysavači. Poté nasadte předfiltr nebo vysoco účinný filtr na HEPA filtr a pro zajištění jím otočte. Při vyjímání použijte opačný postup vkládání.

► **Obr.18:** 1. HEPA filtr 2. Vstupní filtr

► **Obr.19:** 1. HEPA filtr 2. Vysoco účinný filtr

PRÁCE S NÁŘADÍM

▲ UPOZORNĚNÍ: Při používání vysavače nedávejte svůj obličej do blízkosti ventilačních otvorů. Pokud cizí předměty zasáhnou oči, může dojít k poranění osob.

Montáž a demontáž nástavce k vysávání

▲ UPOZORNĚNÍ: Po montáži nástavce zkontrolujte, zda je bezpečně zajištěn. Pokud bude nástavec nasazen nesprávně, může se uvolnit a způsobit úraz.

▲ UPOZORNĚNÍ: Buďte opatrní, abyste při demontáži nástavce neuhodili rukou o stěnu atp.

Používání prodlužovacího nástavce s funkcí zámku

Pokud chcete instalovat prodlužovací nástavec, vložte jej do vstupu sání vysavače, dokud nezacvakne.

Ujistěte se, že je prodlužovací nástavec pevně zajištěný.

► **Obr.20:** 1. Vstup sání 2. Prodlužovací nástavec 3. Háček

POZNÁMKA: Při instalaci prodlužovacího nástavce nezapomeňte zarovnat uvolňovací tlačítko s háčkem na prodlužovacím nástavci. Pokud nejsou zarovnané, nástavec nebude zajištěný a může se z vysavače uvolnit.

POZNÁMKA: Při instalaci prodlužovacího nástavce bez funkce zámku (volitelné příslušenství) jej vložte do vstupu sání vysavače a otočte jím ve směru šipky. Odpojte jej otočením a vysunutím rovněž ve směru šipky.

► **Obr.21**

Demontáž provedete vytazením prodlužovacího nástavce za současného stisknutí uvolňovacího tlačítka.

► **Obr.22:** 1. Uvolňovací tlačítko 2. Prodlužovací nástavec

Používání hubice

▲ UPOZORNĚNÍ: Chcete-li hubici připojit, nasadte ji a otočte jí ve směru šipky, abyste zajistili pevné spojení při používání. Příslušenství odpojte otočením a vysunutím rovněž ve směru šipky. Budete-li hubici otáčet opačným směrem, můžete povolit pouzdro.

Pokud chcete instalovat hubici, vložte ji do vstupu sání vysavače nebo na konec prodlužovacího nástavce a otočte jí. Při rozpojování jí otáčejte a vytahujte ji.

► **Obr.23**

Vysávání

Hubice

Hubici nasaďte při čištění stolů, nábytku atd. Hubice snadno klouže.

► **Obr.24:** 1. Hubice

Hubice a prodlužovací nástavec (rovná trubice)

Prodlužovací nástavec se vkládá mezi hubici a vysavač. Tato konfigurace je vhodná k vysávání podlahy vestoje.

► **Obr.25:** 1. Těleso vysavače 2. Prodlužovací nástavec 3. Hubice

Rohová hubice

Při vysávání rohů a obtížně přístupných míst v automobilu nebo na nábytku nasaďte rohovou hubici.

► **Obr.26:** 1. Rohová hubice 2. Těleso vysavače

Rohová hubice a prodlužovací nástavec (rovná trubice)

Tuto konfiguraci použijte při vysávání obtížně přístupných míst, do kterých se nevejde samotný vysavač, nebo při vysávání vysoko položených míst.

► **Obr.27:** 1. Rohová hubice 2. Prodlužovací nástavec 3. Těleso vysavače

Vysávání bez hubice

Prach můžete vysávat i bez hubice.

► **Obr.28**

Pro vysávání prachu na podlaze ve vzpřímené pozici je vhodné použití prodlužovacího nástavce.

► **Obr.29:** 1. Prodlužovací nástavec

ÚDRŽBA

⚠ UPOZORNĚNÍ: Před zahájením kontroly nebo údržby nářadí se vždy ujistěte, zda je vypnuté a je vyjmut akumulátor.

K zachování BEZPEČNOSTI a SPOLEHLIVOSTI výrobku musí být opravy a veškerá další údržba či seřizování prováděny autorizovanými nebo továrními servisními středisky společnosti Makita s využitím náhradních dílů Makita.

Činnosti po ukončení práce

POZOR: Vysavač opřený o stěnu bez žádného dalšího zajištění může spadnout a poškodit se.

► **Obr.30**

Čištění

POZOR: Nikdy nepoužívejte benzín, benzen, ředidlo, alkohol či podobné prostředky. Mohlo by tak dojít ke změnám barvy, deformacím či vzniku prasklin.

POZOR: Nečistěte prach přilepený k vysavači a filtrům stlačeným vzduchem. Zanesení prachu do krytu a způsobí poruchu.

POZOR: Po omytí filtrů je nechte před dalším použitím řádně osušit. Nedostatečně vysušené filtry mohou oslabit sací výkon a zkrátit životnost motoru.

POZOR: Po očištění filtrů a pěnového filtru je nezapomeňte před dalším použitím namontovat zpět. Použijete-li vysavač bez filtrů a pěnového filtru, dostane se do motoru prach a způsobí poruchu.

Těleso vysavače

Vnější část vysavače (tělo vysavače) pravidelně otřete hadříkem navlhčeným v mýdlové vodě.

Rovněž vyčistěte sací otvor a montážní oblast filtru.

► **Obr.31**

Vysoce účinný filtr

Jestliže je filtr ucpaný prachem a výkon vysavače se sníží, vyperte filtr v mýdlové vodě. Před použitím jej nechte řádně oschnout.

► **Obr.32**

HEPA filtr

Volitelné příslušenství

POZOR: Dejte pozor, abyste HEPA filtr neodřeli nebo nepoškrábali tvrdými předměty, například smetáčkem a lopatkou.

Ucpaný HEPA filtr způsobuje slabý výkon sání. Filtr čas od času vyčistěte.

HEPA filtr příležitostně vyperte ve vodě, opláchněte a před použitím jej nechte ve stínu řádně vyschnout. Filtr nikdy neperte v pračce.

► **Obr.33**

Pěnový filtr

Když se pěnový filtr zanesení, očistěte jej následovně.

1. Vyjměte filtr.
 2. Vytáhněte pěnový filtr z prostoru mezi sloupci.
 3. Vyčistěte pěnový filtr mytím nebo vyklepáním. Jestliže ho umyjete, nechte ho před použitím řádně oschnout.
 4. Vložte pěnový filtr do prostoru mezi sloupci a vraťte jej do původní polohy. Ujistěte se, že každý spodní okraj sloupce drží pěnový filtr a že mezi pěnovým filtrem a sacím otvorem není mezera.
- **Obr.34:** 1. Pěnový filtr 2. Spodní okraj sloupce

Držák akumulátorového vysavače k montáži na stěnu

Volitelné příslušenství

POZNÁMKA: Šroub k upevnění držáku není součástí dodávky. Připravte si šroub, který bude vhodný k zašroubování do materiálu.

Upevněte držák akumulátorového vysavače na pevnou dřevěnou stěnu, trám nebo sloup, ke kterým lze držák akumulátorového vysavače na stěnu bezpečně upevnit. Před zavěšením vysavače se vždy ujistěte, zda je držák akumulátorového vysavače k montáži na stěnu bezpečně upevněn.

► **Obr.35:** 1. Držák akumulátorového vysavače k montáži na stěnu

⚠ UPOZORNĚNÍ: Vysavač nezavěšujte do držáku k upevnění na stěnu násilím, ani do držáku nezavěšujte jiné předměty než vysavač.

Odstraňování problémů

Než požádáte o opravu, zkontrolujte následující body.

Příznak	Cíl kontroly	Způsob nápravy
Slabý sací výkon	Není pouzdro plné prachu?	Odstraňte z pouzdra prach.
	Není ucpaný filtr?	Vyčistěte nebo vyperte filtr.
	Není akumulátor vybitý?	Nabijte blok akumulátoru.
Zařízení nepracuje	Není akumulátor vybitý?	Nabijte blok akumulátoru.

⚠ UPOZORNĚNÍ: Nepokoušejte se opravovat vysavač sami.

VOLITELNÉ PŘÍSLUŠENSTVÍ

⚠ UPOZORNĚNÍ: Pro nářadí Makita popsané v tomto návodu doporučujeme používat následující příslušenství a nástavce. Při použití jiného příslušenství či nástavců může hrozit nebezpečí zranění osob. Příslušenství lze používat pouze pro stanovené účely.

POZNÁMKA: Některé položky seznamu mohou být k nářadí přibaleny jako standardní příslušenství. Přibalené příslušenství se může v různých zemích lišit.

Potřebujete-li bližší informace ohledně tohoto příslušenství, obraťte se na místní servisní středisko společnosti Makita.

- Prodlužovací nástavec (rovná trubice)
- Hubice
- Hubice na koberec
- Kartáčová hubice
- Rohová hubice
- Hubice s kulatým kartáčem
- Pružná hadice
- Filtr
- Vstupní filtr
- Vysoce účinný filtr
- HEPA filtr
- Originální akumulátor a nabíječka Makita
- Volná hubice
- Hubice na sedačky
- Hubice na spáry
- Držák akumulátorového vysavače k montáži na stěnu

ПОПЕРЕДЖЕННЯ

Цей прилад дозволяється використовувати дітям віком від 8 років або старше, а також особам з обмеженими фізичними, сенсорними або розумовими здібностями та особам з недостатнім досвідом і знаннями, якщо за ними встановлений нагляд або їм були надані інструкції стосовно безпечного використання цього приладу та вони усвідомлюють потенційну небезпеку від його використання. Дітям не дозволяється грати з цим приладом. Дітям не дозволяється виконувати чищення або проводити технічне обслуговування приладу без нагляду дорослих.

ТЕХНІЧНІ ХАРАКТЕРИСТИКИ

Модель:		DCL281F
Ємність		750 мл
Тривалість використання (з акумулятором BL1830B)	1 (режим нормальної швидкості)	Близько 50 хв
	2 (режим високої швидкості)	Близько 20 хв
	3 (режим максимальної швидкості)	Близько 15 хв
Загальна довжина		1 016 мм
Номінальна напруга		18 В пост. струму
Маса нетто		1,2 — 1,6 кг

- Оскільки наша програма наукових досліджень і розробок триває безперервно, наведені тут технічні характеристики можуть бути змінені без попередження.
- У різних країнах технічні характеристики можуть бути різними.
- Вага не включає жодних додаткових приладів, окрім касети (касет) з акумулятором. Найменша або найбільша комбінація ваги пристрою та касети (касет) з акумулятором наведені в таблиці.

Застосовна касета з акумулятором і зарядний пристрій

Касета з акумулятором	BL1815N / BL1820 / BL1820B / BL1830 / BL1830B / BL1840 / BL1840B / BL1850 / BL1850B / BL1860B
Зарядний пристрій	DC18RC / DC18RD / DC18RE / DC18SD / DC18SE / DC18SF

- Деякі касети з акумулятором і зарядні пристрої, які вказано вище, можуть бути недоступними залежно від вашого регіону або місця перебування.

⚠ ПОПЕРЕДЖЕННЯ: Використовуйте лише касети з акумулятором і зарядні пристрої, перелічені вище. Використання будь-яких інших касет з акумулятором і зарядних пристроїв може призвести до травмування й/або пожежі.

Символи

Далі наведено символи, які застосовуються для позначення обладнання. Перед користуванням переконайтеся, що ви розумієте їхнє значення.



Читайте посібник з експлуатації.



Ni-MH
Li-ion

Тільки для країн ЄС
Не викидайте електроприлади або акумуляторні батареї разом із побутовим сміттям! Згідно з європейськими директивами про утилізацію електричного та електронного обладнання та про утилізацію батарей і акумуляторів, а також батарей та акумуляторів, термін служби яких закінчився, та їх використанням із дотриманням національних законів, електричне обладнання, батареї та акумулятори, термін служби яких закінчився, потрібно збирати окремо та відправляти на екологічно чисті підприємства з їхньої переробки.

Призначення

Інструмент призначено для збирання сухого пилю.

ПОПЕРЕДЖЕННЯ ПРО ДОТРИМАННЯ ТЕХНІКИ БЕЗПЕКИ

Попередження про необхідну обережність під час роботи з бездротовим пилюсосом

⚠ ПОПЕРЕДЖЕННЯ: ВАЖЛИВО!
ПРОЧИТАЙТЕ УВАЖНО всі попередження про необхідну обережність під час роботи та всі інструкції ПЕРЕД ВИКОРИСТАННЯМ.
Недотримання попереджень та інструкцій може призвести до ураження електричним струмом, до виникнення пожежі та/або до отримання серйозних травм.

1. Не залишайте інструмент під дощем. Зберігайте у приміщенні.
2. Не допускайте, щоб з цим приладом гралися діти. Потрібно бути пильним, якщо інструмент використовується дітьми або поблизу від них.
3. Використовуйте лише у відповідності з цією інструкцією. Використовуйте лише допоміжне обладнання, яке рекомендоване виробником.
4. Не використовуйте, якщо акумулятор пошкоджений. Якщо прилад не працює належним чином, його впустили, пошкодили, залишили під дощем або зронили у воду, його слід відправити до сервісного центру.
5. Не торкайтеся приладу мокрими руками.
6. Не встромляйте жодних предметів у отвори. Не використовуйте прилад із заблокованими отворами; не допускайте їх блокування пилом, пухом, волоссям або будь-чим, що може послабити потік повітря.
7. Слідкуйте, щоб волосся, просторий одяг, а також пальці та інші частини тіла не потрапили до отворів та рухомих частин приладу.
8. Перед зніманням акумулятора вимикайте всі елементи керування.
9. Будьте особливо обережні під час прибирання на сходах.
10. Уникайте потрапляння на прилад займих або пальних рідин, наприклад бензину, та не використовуйте прилад в місцях їх застосування.
11. Для перезарядження акумулятора використовуйте тільки зарядний пристрій, що постачається виробником.

12. Уникайте контакту приладу з будь-якими речовинами та предметами, що горять або димлять, наприклад цигарками, сірниками або гарячим попелом.
13. Не використовуйте без мішка для пилю і (або) встановлених фільтрів.
14. Перезаряджайте акумулятор тільки в приміщенні.
15. Перезаряджайте акумулятор лише за допомогою зарядного пристрою, вказаного виробником. Зарядний пристрій, який підходить для одного типу акумуляторів, може призвести до пожежі при використанні з акумулятором іншого типу.
16. Використовуйте електроінструменти лише з акумуляторами того типу, який призначений саме для цих електроінструментів. Використання акумуляторів інших типів може призвести до отримання травм і виникнення пожежі.
17. Коли акумулятор не використовується, тримайте його подалі від таких металевих предметів, що можуть закортити клеми акумулятора, наприклад скріпок, монет, ключів, цвяхів, гвинтів тощо.
18. За неналежних умов зберігання з акумулятора може витекти рідина, контакту з якою слід уникати. У разі випадкового потрапляння рідини на тіло уражену частину необхідно промити водою.
19. Не користуйтеся акумулятором або інструментом, які було змінено чи пошкоджено. Експлуатація акумуляторів, що їх було пошкоджено або до конструкції яких було внесено зміни, може бути небезпечною і може спричинити пожежу, вибух або травму.
20. Не піддавайте акумулятор або інструмент впливу вогню чи надмірної температури. Вплив вогню або температури вище 130° C може спричинити вибух.
21. Дотримуйтеся усіх вказівок із зарядження й не заряджайте акумулятор або інструмент за температури за межами зазначеного в інструкції діапазону. Неправильне зарядження або зарядження за межами вказаного температурного діапазону може призвести до пошкодження акумулятора й підвищити небезпеку займання.

ЗБЕРІГАЙТЕ ЦІ ВКАЗІВКИ.

ДОДАТКОВІ ПРАВИЛА БЕЗПЕКИ

Цей прилад призначений тільки для побутового використання.

1. Перед використанням уважно прочитайте цю інструкцію, а також інструкцію до зарядного пристрою.
2. Уникайте таких речовин та предметів, як:
 - гарячі речовини та предмети, наприклад запалені цигарки або іскри й металевий пил, що утворюються під час шліфування або різання металу

- пальні речовини, наприклад газолін, розчинники, бензин, гас або фарби
 - вибухові речовини, наприклад нітрогліцерин
 - займісті речовини, наприклад алюміній, цинк, магній, титан, фосфор або целулоїд
 - вологий бруд, вода, мастило та подібні речовини
 - тверді предмети з гострими кутами, наприклад тріска, метали, каміння, скло, цвяхи, шпильки або бритви
 - порошок або грудки, наприклад цемент або тонер
 - електропровідний пил, наприклад металевий або вугільний
 - дрібні частки, наприклад бетонний пил.
- У протилежному випадку це може призвести до пожежі, травми та (або) пошкодження майна.
3. Негайно зупиніть інструмент, якщо помітите відхилення в його роботі.
 4. Якщо ви впустили або вдарили пиросос, перед подальшим використанням його слід ретельно оглянути на наявність тріщин або пошкоджень.
 5. Заборонено підносити інструмент близько до кухонних плит або інших джерел тепла.
 6. Заборонено блокувати забірний або вентиляційні отвори.

ЗБЕРІГАЙТЕ ЦІ ВКАЗІВКИ.

Важливі інструкції з безпеки для касети з акумулятором

1. Перед тим як користуватися касетою з акумулятором, слід прочитати всі інструкції та застережні знаки щодо (1) зарядного пристрою акумулятора, (2) акумулятора та (3) виробів, що працюють від акумулятора.
2. Не слід розбирати касету з акумулятором.
3. Якщо період роботи дуже покоротшав, слід негайно припинити користування. Це може призвести до виникнення ризику перегріву, опіку та навіть вибуху.
4. У разі потрапляння електроліту в очі слід промити їх чистою водою та негайно звернутися до лікаря. Це може призвести до втрати зору.
5. Не закоротіть касету з акумулятором.
 - (1) Не слід торкатися клем будь-яким струмопровідним матеріалом.
 - (2) Не слід зберігати касету з акумулятором у ємності з іншими металевими предметами, такими як цвяхи, монети тощо.
 - (3) Не залишайте касету з акумулятором під дощем, запобігайте контакту з водою.

Коротке замикання може призвести до появи значного струму, перегріву, можливих опіків та навіть виходу з ладу.

6. Не слід зберігати інструмент та касету з акумулятором в місцях, де температура може сягнути чи перевищити 50°C (122°F).
7. Не слід спалювати касету з акумулятором, навіть якщо вона була неодноразово пошкоджена або повністю спрацьована. Касета з акумулятором може вибухнути у вогні.
8. Не слід кидати або ударяти акумулятор.
9. Не слід використовувати пошкоджений акумулятор.
10. Літій-іонні акумулятори, що містяться в інструменті, мають відповідати вимогам законів про небезпечні товари. Під час транспортування за допомогою комерційних перевезень, наприклад із залученням третьої сторони та експедиторів, необхідно дотримуватись особливих вимог, вказаних на пакуванні й у маркуванні. Під час підготування позиції до відправлення необхідно проконсультуватись зі спеціалістом з небезпечних матеріалів. Крім того, слід виконувати більш докладні національні настанови, якщо такі є. Заклейте відкриті контакти стрічкою або заховайте їх і запакуйте акумулятор таким чином, щоб він не міг рухатися в пакуванні.
11. Дотримуйтеся норм місцевого законодавства щодо утилізації акумуляторів.
12. Використовуйте акумулятори лише з виробами, указаними компанією Makita. Установлення акумуляторів у невідповідні виробы може призвести до пожежі, надмірного нагрівання, вибуху чи витoku електроліту.

ЗБЕРІГАЙТЕ ЦІ ВКАЗІВКИ.

⚠ОБЕРЕЖНО: Використовуйте тільки акумулятори Makita. Використання акумуляторів, інших ніж оригінальні акумулятори Makita, або акумуляторів, конструкцію яких було змінено, може призвести до вибуху акумулятора і спричинити пожежу, травму або пошкодження. У зв'язку з цим також буде анульовано гарантію Makita на інструмент Makita і на зарядний пристрій.

Поради з забезпечення максимального строку експлуатації акумулятора

1. Касету з акумулятором слід заряджати до того, як він розрядиться повністю. Завжди слід зупинити роботу інструмента та зарядити акумулятор, якщо ви помітили зменшення потужності інструмента.
2. Ніколи не слід заряджати повторно повністю заряджену касету з акумулятором. Перезарядження скорочує строк експлуатації акумулятора.
3. Заряджайте касету з акумулятором при кімнатній температурі 10°C—40°C (50°F—104°F). Перед тим як заряджати касету з акумулятором, слід зачекати, доки вона охолоне.
4. Якщо касета з акумулятором не використовувалася тривалий час (понад шість місяців), її слід зарядити.

ОПИС РОБОТИ

⚠ ОБЕРЕЖНО: Обов'язково переконайтеся, що прилад вимкнено, а касету з акумулятором знято, перед регулюванням або перевіркою функціонування інструмента.

⚠ ОБЕРЕЖНО: Заряджаючи касету з акумулятором, слідкуйте, щоб між пілососом та акумулятором не потрапили пальці, як показано на малюнку. Защемлення пальців може призвести до травм.

► Рис.1

Встановлення та зняття касети з акумулятором

⚠ ОБЕРЕЖНО: Завжди вимикайте інструмент перед встановленням або зняттям касети з акумулятором.

⚠ ОБЕРЕЖНО: Під час встановлення або зняття касети з акумулятором слід міцно тримати інструмент та касету з акумулятором. Якщо ви утримуватимете інструмент та касету з акумулятором недостатньо міцно, вони можуть вислизнути з рук, що може призвести до пошкодження інструмента та касети з акумулятором або може спричинити травми.

► Рис.2: 1. Червоний індикатор 2. Кнопка 3. Касета з акумулятором

Щоб зняти касету з акумулятором, слід витягнути її з інструмента, натиснувши на кнопку в передній частині касети.

Щоб установити касету з акумулятором, слід сумістити виступ на касеті з акумулятором із пазом у корпусі та вставити касету на місце. Її необхідно вставити повністю, аж доки не почуєте клацання. Якщо на верхній частині кнопки помітний червоний індикатор, це означає, що касета з акумулятором установлена не до кінця.

⚠ ОБЕРЕЖНО: Завжди вставляйте касету з акумулятором повністю, аж поки червоний індикатор стане невидимим. Якщо цього не зробити, касета може випадково випасти з інструмента та завдати травми вам або людям, що знаходяться поряд.

⚠ ОБЕРЕЖНО: Не встановлюйте касету з акумулятором із зусиллям. Якщо касета не вставляється легко, то це означає, що ви її неправильно вставляєте.

Система захисту акумулятора

Інструмент оснащено системою захисту інструмента/акумулятора. Ця система автоматично вимикає живлення двигуна з метою збільшення терміну служби інструмента й акумулятора. Інструмент автоматично зупиняється під час роботи, якщо інструмент або акумулятор опиняться в зазначених нижче умовах.

Перевантаження

Інструмент споживає струм занадто високої потужності під час роботи.

У такому разі вимкніть інструмент і припиніть роботу, під час виконання якої інструмент зазнав перевантаження. Щоб перезапустити інструмент, увімкніть його знову. Якщо інструмент не запускається, це означає, що акумулятор перегрівся. У такому випадку дозволять акумулятору охолонути, перш ніж знову увімкнути інструмент.

Низька напруга акумулятора

Залишкова ємність акумулятора занадто низька, тому інструмент не буде працювати. У такому разі вийміть і зарядіть акумулятор.

Відображення залишкового заряду акумулятора

Тільки для касет з акумулятором, які мають індикатори

► Рис.3: 1. Індикаторні лампи 2. Кнопка перевірки

Натисніть кнопку перевірки на касеті з акумулятором для відображення залишкового ресурсу акумулятора. Індикаторні лампи загоряться на кілька секунд.

Індикаторні лампи			Залишковий ресурс
Горить	Вимк.	Блимає	
■	□	▧	від 75 до 100%
■	■	■	
■	■	□	від 50 до 75%
■	□	□	від 25 до 50%
■	□	□	від 0 до 25%
▧	□	□	Зарядіть акумулятор.
■	□	□	Можливо, акумулятор вийшов з ладу.
□	□	■	

ПРИМІТКА: Залежно від умов використання та температури оточуючого середовища показання можуть незначним чином відрізнитися від дійсного ресурсу.

Дія вимикача

► Рис.4: 1. Кнопка ввімкнення / зміни швидкості 2. Кнопка вимкнення

Для того щоб запустити пілосос, просто натисніть кнопку ввімкнення / зміни швидкості. Щоб вимкнути інструмент, натисніть кнопку вимкнення.

Швидкість пілососа змінюється в три кроки натисканням кнопки ввімкнення / зміни швидкості.

При першому натисканні цієї кнопки вмикається режим високої швидкості, при другому — режим максимальної швидкості, а при третьому — режим нормальної швидкості. Кожне натискання на цю кнопку по черзі перемикає швидкість між високою, максимальною та низькою.

Увімкнення підсвічування

⚠ОБЕРЕЖНО: Не дивіться на світло або безпосередньо на джерело світла.

Для того щоб увімкнути підсвічування, натисніть кнопку увімкнення / зміни швидкості. Щоб вимкнути підсвічування, натисніть кнопку вимкнення.

Підсвічування вмикається, коли інструмент починає роботу.

Коли залишковий заряд акумулятора стає низьким, починає миготіти індикаторна лампа.

- **Рис.5:** 1. Кнопка увімкнення / зміни швидкості
2. Кнопка вимкнення 3. Лампа

ПРИМІТКА: Час, коли лампа акумулятора починає миготіти, залежить від температури на робочому місці та від стану касети з акумулятором.

ЗБОРКА

⚠ОБЕРЕЖНО: Обов'язково переконайтеся, що прилад вимкнено, а касету з акумулятором знято, перш ніж проводити будь-які роботи з інструментом.

Опис деталей

Додаткове приладдя

Фільтр підвищеної ефективності, каркас і губчатий фільтр

- **Рис.6:** 1. Контейнер 2. Фільтр підвищеної ефективності 3. Каркас і губчатий фільтр

Фільтр попереднього очищення або Фільтр підвищеної ефективності й фільтр HEPA

- **Рис.7:** 1. Контейнер 2. Фільтр попереднього очищення 3. Фільтр підвищеної ефективності 4. Фільтр HEPA

УВАГА: Не використовуйте фільтр підвищеної ефективності з фільтром (додаткове приладдя). Це може призвести до того, що фільтр підвищеної ефективності неможливо буде витягти з пілососа.

ПРИМІТКА: За використання додаткового фільтра попереднього очищення й фільтра з фільтром HEPA слід використовувати лише фільтр попереднього очищення на фільтрі HEPA. Якщо фільтр попереднього очищення й фільтр із фільтром HEPA використовувати одночасно, потужність усмоктування може знизитися.

ПРИМІТКА: За використання фільтра HEPA з фільтром підвищеної ефективності слід використовувати фільтр підвищеної ефективності з каркасом.

- **Рис.8:** 1. Каркас

Видалення пилу

⚠ОБЕРЕЖНО: Пілосос слід спорожнювати до повного заповнення, інакше силу всмоктування буде послаблено.

⚠ОБЕРЕЖНО: Внутрішню частину пілососа слід обов'язково звільняти від пилу. Невиконання цієї вимоги може призвести до засмічення фільтра або пошкодження двигуна.

Для видалення пилу, налиплого на фільтрі в контейнері, постукайте рукою по контейнеру 4–5 разів.

- **Рис.9:** 1. Контейнер 2. Отвір усмоктування

Поверніть отвір усмоктування вниз, поверніть контейнер у напрямку, показаному стрілкою на рисунку, і повільно від'єднайте контейнер, тягнучи його в напрямку від себе.

- **Рис.10:** 1. Контейнер 2. Отвір усмоктування

ПРИМІТКА: Під час відкриття контейнера пил може висипатися, тому під ним обов'язково встановлюйте мішок для сміття.

Видаліть пил із контейнера й фільтра підвищеної ефективності.

- **Рис.11:** 1. Контейнер 2. Фільтр підвищеної ефективності

Поверніть фільтр підвищеної ефективності в напрямку, показаному стрілкою, щоб відстібнути крипильний фланець від корпусу пілососа, після чого витягніть фільтр підвищеної ефективності.

- **Рис.12:** 1. Крипильний фланець

ПРИМІТКА: За використання фільтра попереднього очищення також дотримуйтеся наведеної вище процедури.

Вичистіть дрібний пил із злегка постукайте по фільтру підвищеної ефективності, щоб вибити пил.

Повторний монтаж

Приєднайте фільтр підвищеної ефективності. Одночасно переконайтеся, що фільтр підвищеної ефективності повернуто таким чином, щоб крипильний фланець було щільно зафіксовано в корпусі пілососа.

- **Рис.13:** 1. Фільтр підвищеної ефективності

- **Рис.14:** 1. Крипильний фланець

УВАГА: Перед використанням пілососа слід завжди перевіряти правильність установлення фільтра підвищеної ефективності. У разі неправильного встановлення пил потраплятиме в корпус двигуна, що призведе до пошкодження двигуна.

Виникнення описаної далі проблеми означає, що фільтр підвищеної ефективності встановлено неправильно. Перевстановіть їх належним чином, щоб усунути проблему.

Прикріпіть контейнер. Сумістіть позначку на контейнері з позначкою на ручці, потім із зусиллям поверніть контейнер у напрямку, показаному стрілкою, до його повної фіксації.

- **Рис.15:** 1. Позначка 2. Рукотка 3. Контейнер

ПРИМІТКА: Пил слід видаляти заздалегідь, оскільки накопичування в пирососі великої кількості пилу призводить до послаблення сили всмоктування.

Приклади проблем

Кріпильний фланець фільтра підвищеної ефективності недостатньо щільно зафіксовано в пазу на корпусі пирососа.

► **Рис.16:** 1. Кріпильний фланець 2. Паз у корпусі пирососа

Установлення або зняття каркаса / фільтра HEPA

Додаткове приладдя

Дії для каркаса й губчатого фільтра

Для видалення каркаса підніміть нижню частину стійок каркаса пальцями й роз'єднайте паз і виступ на пирососі. Після цього зніміть губчатий фільтр.

► **Рис.17:** 1. Каркас 2. Губчатий фільтр

Для встановлення сумістіть пазу на каркасі з виступом на пирососі й притисніть до клацання.

Установіть губчатий фільтр в отвір між стійками в початкове положення.

Дії для фільтра HEPA

Під час установлення фільтра HEPA сумістіть паз фільтра HEPA з виступом на пирососі. Потім розмістіть фільтр попереднього очищення або фільтр підвищеної ефективності на фільтрі HEPA й поверніть для фіксації. Щоб виняти, виконайте процедуру встановлення у зворотному порядку.

► **Рис.18:** 1. Фільтр HEPA 2. Фільтр попереднього очищення

► **Рис.19:** 1. Фільтр HEPA 2. Фільтр підвищеної ефективності

РОБОТА

⚠ОБЕРЕЖНО: Під час роботи з пирососом не тримайте обличчя занадто близько до вентиляційного отвору. Потрапляння в очі сторонніх предметів може призвести до травми.

Установлення або видалення насадки пирососа

⚠ОБЕРЕЖНО: Після встановлення насадки переконайтеся в надійності її кріплення. У разі неправильного встановлення насадки вона може зіскочити й нанести травму.

⚠ОБЕРЕЖНО: Під час зняття насадки будьте обережні, щоб не вдаритися рукою об стіну тощо.

Примітки в разі використання подовжувача з функцією блокування

Для встановлення подовжувача вставте його в отвір усмоктування пирососа до клацання. Переконайтеся в тому, що подовжувач надійно зафіксовано.

► **Рис.20:** 1. Отвір усмоктування 2. Подовжувач 3. Гачок

ПРИМІТКА: Під час установлення подовжувача не забудьте сумістити кнопку розблокування з гачком на подовжувачі. Якщо вони не суміщені, подовжувач не буде зафіксовано, через що він може зіскочити з пирососа.

ПРИМІТКА: Під час установлення подовжувача без фіксатора (додаткове приладдя), поверніть і вставте його в отвір усмоктування пирососа в напрямку, показаному стрілкою. Щоб від'єднати його, поверніть і вийміть також у напрямку, показаному стрілкою.

► **Рис.21**

Для видалення потягніть подовжувач, натискаючи кнопку розблокування.

► **Рис.22:** 1. Кнопка розблокування 2. Подовжувач

Примітки в разі використання патрубку

⚠ОБЕРЕЖНО: Для під'єднання й фіксації патрубка поверніть і вставте його в напрямку, показаному стрілкою. Щоб від'єднати приладдя, витягніть його, повертаючи також у напрямку, показаному стрілкою. Якщо патрубок повернути у зворотному напрямку, контейнер може від'єднатися.

Для встановлення патрубка поверніть і щільно вставте його в отвір усмоктування пирососа або кінець подовжувача. Для від'єднання поверніть його й зніміть.

► **Рис.23**

Чищення (всмоктування)

Штуцер

Для чищення столів, парт, меблів тощо встановлюйте штуцер. Він легко надівається.

► **Рис.24:** 1. Штуцер

Штуцер + подовжувач (пряма труба)

Подовжувач вставляється між штуцером та пирососом. Така конструкція є зручною для чищення підлоги стоячи.

► **Рис.25:** 1. Корпус пирососа 2. Подовжувач 3. Штуцер

Кутовий штуцер

Для чищення кутів та щілин в салоні автомобіля встановлюйте кутовий штуцер.

► **Рис.26:** 1. Кутовий штуцер 2. Корпус пирососа

Кутовий шуцер + подовжувач (пряма труба)

Цю конструкцію слід використовувати там, де пилосос не може пройти в обмеженому просторі, або у високих місцях, до яких важко дотягнутись.

- **Рис.27:** 1. Кутовий шуцер 2. Подовжувач
3. Корпус пилососа

Чищення без шуцера

Збирати пил можна й без шуцера.

- **Рис.28**

Для збирання пилу з підлоги в положенні стоячи до пилососа для зручності можна прикріпити подовжувач.

- **Рис.29:** 1. Подовжувач

ТЕХНІЧНЕ ОБСЛУГОВУВАННЯ

⚠ОБЕРЕЖНО: Перед здійсненням перевірки або обслуговування завжди перевіряйте, щоб інструмент був вимкнений, а касета з акумулятором була знята.

Для забезпечення БЕЗПЕКИ й НАДІЙНОСТІ продукції її ремонт, а також роботи з обслуговування або регулювання мають виконуватись уповноваженими або заводськими сервісними центрами Makita з використанням запчастин виробництва компанії Makita.

Після використання

УВАГА: Якщо пилосос розмістити біля стіни без будь-якої іншої опори, він може впасти й зазнати пошкоджень.

- **Рис.30**

Чистка

УВАГА: Ніколи не використовуйте газолін, бензин, розріджувач, спирт та подібні речовини. Їх використання може призвести до зміни кольору, деформації або появи тріщин.

УВАГА: Не видаляйте пил з пилососа та фільтрів за допомогою повітродувки. При цьому пил потрапляє всередину корпусу і може спричинити несправності.

УВАГА: Після промивання фільтрів висушіть їх перед використанням. Вологий фільтр може стати причиною послаблення всмоктування та скорочення терміну служби двигуна.

УВАГА: Очистивши основний та губчатий фільтри, установіть їх на місце перед використанням. Під час експлуатації пилососа без основного й губчатого фільтрів пил потрапляє до корпусу двигуна й спричиняє несправності.

Корпус пилососа

Слід періодично протирати зовнішню поверхню (корпус) пилососа ганчіркою, зволоженою мильною водою. Не забудьте прочистити отвір усмоктування та ділянку встановлення фільтра.

- **Рис.31**

Фільтр підвищеної ефективності

Коли фільтр засмічується та потужність пилососа зменшується, фільтр слід вимити в мильній воді. Перед використанням його слід ретельно висушити.

- **Рис.32**

Фільтр HEPA

Додаткове приладдя

УВАГА: Не тріть і не дряпайте фільтр HEPA твердими предметами, наприклад щіткою або лопаткою.

Засмічення фільтра HEPA спричиняє зниження всмоктувальної дії. Фільтр слід періодично прочищувати.

Час від часу мийте фільтр HEPA у воді, полощіть і ретельно висушіть його в затінку перед використанням. Ніколи не періть фільтр у пральній машині.

- **Рис.33**

Губчатий фільтр

Нижче описано процедуру очищення губчатого фільтра.

1. Зніміть основний фільтр.
2. Витягніть губчатий фільтр із отвору між стійками.
3. Очистіть губчатий фільтр постукуванням або промиванням. У разі промивання ретельно висушіть фільтр перед використанням.
4. Установіть губчатий фільтр в отвір між стійками в початкове положення. Переконайтеся, що губчатий фільтр міцно притиснутий до нижнього краю стійок, а між фільтром та отвором усмоктування немає зазору.

- **Рис.34:** 1. Губчатий фільтр 2. Нижній край стійок

Настінне кріплення для бездротового пилососа

Додаткове приладдя

ПРИМІТКА: Гвинт для кріплення тримача до комплекту не входить. Виберіть гвинт відповідно до типу матеріалу.

Прикріпіть настінне кріплення для бездротового пилососа до стіни, балки або колони, зроблених із твердої деревини, де можна надійно закріпити бездротовий пилосос. Перед кріпленням пилососа завжди перевіряйте, щоб настінне кріплення для бездротового пилососа було надійно закріплено.

- **Рис.35:** 1. Настінне кріплення для бездротового пилососа

⚠ОБЕРЕЖНО: Вішайте пилосос на настінне кріплення обережно й не вішайте жодних інших пристроїв, окрім пилососа.

Усунення несправностей

Перш ніж здавати прилад до ремонту, слід перевірити наступні моменти.

Ознака	Ділянка, яку слід обстежити	Спосіб прикріплення
Слабка сила всмоктування	Чи заповнений контейнер пилом?	Витрусіть пил з контейнера.
	Чи засмічений фільтр?	Очистьте або промийте фільтр.
	Чи розряджений акумулятор?	Зарядіть акумулятор.
Пристрій не працює	Чи розряджений акумулятор?	Зарядіть акумулятор.

⚠ ОБЕРЕЖНО: Не намагайтеся відремонтувати пилосос самотужки.

ДОДАТКОВЕ ПРИЛАДДЯ

⚠ ОБЕРЕЖНО: Це додаткове та допоміжне обладнання рекомендовано використовувати з інструментом Makita, зазначеним у цій інструкції з експлуатації. Використання будь-якого іншого додаткового та допоміжного обладнання може становити небезпеку травмування. Використовуйте додаткове та допоміжне обладнання лише за призначенням.

У разі необхідності отримати допомогу в більш детальному ознайомленні з оснащенням звертайтеся до місцевого сервісного центру Makita.

- Подовжувач (пряма труба)
- Штуцер
- Штуцер для килима
- Щітка для полиць
- Кутувий штуцер
- Кругла щітка
- Гнучкий шланг
- Фільтр
- Первинний фільтр
- Фільтр підвищеної ефективності
- Фільтр HEPA
- Оригінальний акумулятор та зарядний пристрій Makita
- Вільний штуцер
- Насадка для очищення сидіння
- Сопло для чищення щілин
- Настінне кріплення для бездротового пилососа

ПРИМІТКА: Деякі елементи списку можуть входити до комплекту інструмента як стандартне приладдя. Вони можуть відрізнятися залежно від країни.

AVERTIZARE

Acest aparat poate fi utilizat de copiii cu vârsta de cel puțin 8 ani și de persoanele cu capacități fizice, senzoriale sau mentale reduse, sau lipsite de experiență și cunoștințe doar dacă sunt supravegheate sau au fost instruite cu privire la utilizarea aparatului în siguranță și înțeleg pericolele implicate. Copiii nu au voie să folosească acest aparat ca jucărie. Curățarea și întreținerea nu vor fi efectuate de copii nesupravegheați.

SPECIFICAȚII

Model:		DCL281F
Capacitate		750 ml
Utilizare continuă (cu baterie BL1830B)	1 (Mod viteză normală)	Aprox. 50 min
	2 (Mod viteză ridicată)	Aprox. 20 min
	3 (Mod viteză max.)	Aprox. 15 min
Lungime totală		1.016 mm
Tensiune nominală		18 V cc.
Greutate netă		1,2 - 1,6 kg

- Datorită programului nostru continuu de cercetare și dezvoltare, specificațiile pot fi modificate fără o notificare prealabilă.
- Specificațiile pot varia în funcție de țară.
- Greutatea nu include accesoriile, ci cartușul(ele) acumulatorului. Greutatea combinată cea mai mică și cea mai mare a aparatului și cartușului(elor) acumulatorului sunt prezentate în tabel.

Cartușul acumulatorului și încărcătorul aplicabile

Cartușul acumulatorului	BL1815N / BL1820 / BL1820B / BL1830 / BL1830B / BL1840 / BL1840B / BL1850 / BL1850B / BL1860B
Încărcător	DC18RC / DC18RD / DC18RE / DC18SD / DC18SE / DC18SF

- Este posibil ca unele cartușe ale acumulatorilor și încărcătoare menționate mai sus să nu fie disponibile în funcție de regiunea dvs. de reședință.

⚠️ AVERTIZARE: Utilizați numai cartușele de acumulator și încărcătoarele enumerate mai sus. Utilizarea oricărui altor cartușe de acumulator și încărcătoare poate duce la rănire și/sau incendiu.

Simboluri

Mai jos sunt prezentate simbolurile de pe echipament. Asigurați-vă că înțelegeți sensul acestora înainte de utilizare.



Citiți manualul de utilizare.



Ni-MH
Li-ion

Doar pentru țările din cadrul UE
Nu aruncați aparatele electrice sau acumulatorii în gunoii menajeri! În conformitate cu Directiva europeană privind deșeurile de echipamente electrice și electronice, bateriile și acumulatorii, precum și bateriile și acumulatorii reziduale și implementarea acestora conform legislației naționale, echipamentele electrice și bateriile și acumulatorii care au ajuns la sfârșitul duratei de viață trebuie colectate separat și reciclate corespunzător în vederea protecției mediului.

Destinația de utilizare

Acest aparat este destinat colectării prafului uscat.

AVERTIZĂRI DE SIGURANȚĂ

Avertismente privind siguranța pentru aspiratorul cu acumulator

⚠️ AVERTIZARE: IMPORTANT CITIȚI CU ATENȚIE toate avertizările de siguranță și toate instrucțiunile ÎNAINTE DE UTILIZARE. Nerespectarea acestor avertismente și instrucțiuni poate avea ca rezultat electrocutarea, incendiul și/ sau rănirea gravă.

1. Nu expuneți la ploaie. Depozitați în spații interioare.
2. Nu permiteți utilizarea acestuia ca jucărie. Acordați atenție utilizării acestuia de către copii sau în apropierea copiilor.
3. Utilizați doar în modul descris în acest manual. Utilizați doar accesoriile recomandate de producător.
4. Nu folosiți cu un acumulator uzat. În cazul în care aparatul nu funcționează corespunzător, a suferit șocuri, este deteriorat, a fost depozitat în exterior sau a fost scăpat în apă, returnați-l la un centru de service.
5. Nu manipulați aparatul cu mâinile umede.
6. Nu introduceți obiecte în orificii. A nu se utiliza cu orificiile blocate; feriiți de praf, scame, păr și orice alte materiale care pot obstrucționa fluxul de aer.
7. Nu vă apropiați părul, hainele largi, degetele și celelalte părți ale corpului de deschideri și de piesele mobile.
8. Dezactivați toate comenzile înainte de a scoate acumulatorul.
9. Acordați atenție specială la curățarea pe trepte.
10. Nu utilizați la colectarea unor lichide inflamabile sau combustibile, cum ar fi benzina și nu utilizați în zone în care acestea ar putea fi prezente.
11. Utilizați doar încărcătorul furnizat de producător pentru reîncărcare.
12. Nu colectați obiecte care ard sau fumează, cum ar fi țigări, chibrituri sau cenușă fierbinte.
13. Nu utilizați fără sac de praf și/sau filtre montate.
14. Nu încărcați acumulatorul în exterior.
15. Efectuați reîncărcarea numai cu încărcătorul specificat de producător. Un încărcător adecvat pentru un anumit tip de acumulator poate prezenta risc de incendiu dacă este utilizat cu alt tip de acumulator.
16. Folosiți mașinile electrice numai cu acumulatorii special destinați acestora. Utilizarea altor acumulatori poate prezenta risc de rănire și de incendiu.
17. Când nu folosiți acumulatorul, țineți-l la distanță de obiecte metalice precum agrafe de birou, monede, chei, cuie, șuruburi sau alte obiecte metalice mici, ce pot constitui o legătură între cele două borne.

18. În condiții extreme, lichidul poate fi eliminat din acumulator; evitați contactul cu acesta. Dacă intrați în contact accidental, clătiți bine cu apă zona afectată.
19. Nu utilizați un acumulator sau o unealtă care este avariată sau modificată. Bateriile avariate sau modificate pot prezenta comportament imprevedibil ce poate cauza incendii, explozii sau risc de rănire.
20. Nu expuneți un acumulator sau o unealtă la foc sau la temperaturi excesive. Expunerea la foc sau la temperaturi mai mari de 130 °C poate cauza explozii.
21. Urmați toate instrucțiunile de încărcare și nu încărcați acumulatorul sau unealta la temperaturi din afara intervalului specificat în instrucțiuni. Încărcarea incorectă sau la temperaturi din afara intervalului specificat poate cauza deteriorarea bateriei și creșterea riscului de incendiu.

PĂSTRAȚI ACESTE INSTRUCȚIUNI.

NORME SUPLIMENTARE DE SECURITATE

Acest aparat este destinat doar uzului casnic.

1. Înainte de utilizare, citiți cu atenție acest manual de instrucțiuni și manualul de instrucțiuni al încărcătorului.
2. Nu aspirați următoarele materiale:
 - Materiale fierbinți, precum țigări aprinse sau praf provenit de la scântei/metal generat de șlefuirea/tăierea metalului
 - Materiale inflamabile precum petrol, diluant, benzină, kerosen sau vopsea
 - Materiale explosive, cum ar fi nitroglicerina
 - Materiale inflamabile, precum aluminiu, zinc, magneziu, titan, fosfor sau celuloid
 - Murdărie umedă, apă, ulei sau alte lichide
 - Obiecte dure cu margini ascuțite, precum așchii de lemn, metale, pietre, sticlă, cuie, ace sau lame
 - Pudră care formează cheag, precum ciment sau toner
 - Praf conductiv, precum praful de metal sau carbon
 - Particule fine, precum praful de beton
3. O astfel de acțiune poate cauza incendii, accidentări și/sau daune.
3. Întrerupeți lucrul imediat dacă observați orice anomalie.
4. Dacă scăpați pe jos sau loviți aspiratorul, înainte de utilizare verificați-l cu atenție în privința fisurării sau deteriorării.
5. Nu țineți în apropierea sobelor sau a altor surse de căldură.
6. Nu obturați orificiile de admisie sau de ventilație.

PĂSTRAȚI ACESTE INSTRUCȚIUNI.

Instrucțiuni importante privind siguranța pentru cartușul acumulatorului

1. Înainte de a folosi cartușul acumulatorului, citiți toate instrucțiunile și atenționările de pe (1) încărcătorul acumulatorului, (2) acumulator și (3) produsul care folosește acumulatorul.
2. Nu dezmembrați cartușul acumulatorului.
3. Dacă timpul de funcționare s-a redus excesiv, întrerupeți imediat funcționarea. Aceasta poate prezenta risc de supraîncălzire, posibile arsuri și chiar explozie.
4. Dacă electrolitul pătrunde în ochi, clătiți bine ochii cu apă curată și consultați imediat un medic. Există risc de orbire.
5. Nu scurtcircuitați cartușul acumulatorului:
 - (1) Nu atingeți bornele cu niciun material conductor.
 - (2) Evitați depozitarea cartușului acumulatorului la un loc cu alte obiecte metalice cum ar fi cuie, monede etc.
 - (3) Nu expuneți cartușul acumulatorului la apă sau ploaie.
6. Nu depozitați mașina și cartușul acumulatorului în spații în care temperatura poate atinge sau depăși 50 °C (122 °F).
7. Nu incinerati cartușul acumulatorului chiar dacă acesta este grav deteriorat sau complet uzat. Cartușul acumulatorului poate exploda în foc.
8. Aveți grijă să nu scăpați sau să loviți acumulatorul.
9. Nu utilizați un acumulator deteriorat.
10. Acumulatorii Li-Ion încorporați se supun cerințelor Legislației privind substanțele periculoase.

Pentru transporturi comerciale, efectuate de exemplu de către părți terțe, expeditori, trebuie respectate cerințele speciale de ambalare și etichetare. Pentru pregătirea articolului care urmează să fie expedit, este necesară consultarea unui expert în materiale periculoase. Vă rugăm să respectați, de asemenea, reglementările naționale, care pot fi mai detaliate.

Izolați sau acoperiți contactele deschise și împachetați acumulatorul în așa fel încât să nu se poată mișca în ambalaj.

11. Respectați normele naționale privind eliminarea la deșeurii a acumulatorului.
12. Utilizați acumulatoroarele numai cu produsele specificate de Makita. Instalarea acumulatoroarelor în produse neconforme poate cauza incendii, căldură excesivă, explozii sau scurgeri de electrolit.

PĂSTRAȚI ACESTE INSTRUCȚIUNI.

ATENȚIE: Folosiți numai acumulatori Makita originali. Acumulatorii Makita care nu sunt originali și acumulatorii care au suferit modificări se pot aprinde, provocând incendii, leziuni corporale și daune. De asemenea, anulează garanția oferită de Makita pentru unealta și încărcătorul Makita.

Sfaturi pentru obținerea unei durate maxime de exploatare a acumulatorului

1. Încărcați cartușul acumulatorului înainte de a se descărca complet. Întrerupeți întotdeauna funcționarea mașinii și încărcați cartușul acumulatorului când observați o scădere a puterii mașinii.
2. Nu reîncărcați niciodată un acumulator complet încărcat. Supraîncărcarea va scurta durata de exploatare a acumulatorului.
3. Încărcați cartușul acumulatorului la temperatura camerei, între 10 °C - 40 °C (50 °F - 104 °F). Lăsați un acumulator fierbinte să se răcească înainte de a-l încărca.
4. Încărcați cartușul acumulatorului în cazul în care nu a fost utilizat pe o perioadă mai lungă (mai mult de șase luni).

DESCRIEREA FUNCȚIILOR

ATENȚIE: Asigurați-vă întotdeauna că mașina este oprită și cartușul acumulatorului este scos înainte de a ajusta sau verifica funcționarea mașinii.

ATENȚIE: Aveți grijă ca la încărcarea bateriei să nu vă prindeți degetul(ele) între aspirator și baterie așa cum se arată în imagine. Prinderea degetului(elor) poate provoca vătămări.

► Fig.1

Instalarea sau scoaterea cartușului acumulatorului

ATENȚIE: Opriți întotdeauna mașina înainte de montarea sau demontarea cartușului de acumulator.

ATENȚIE: Țineți ferm mașina și cartușul acumulatorului la montarea sau demontarea cartușului. În cazul în care nu țineți ferm mașina și cartușul de acumulator, acestea vă pot aluneca din mâini, rezultând defectarea mașinii și cartușului de acumulator, precum și în accidentări personale.

► Fig.2: 1. Indicator roșu 2. Buton 3. Cartușul acumulatorului

Pentru a scoate cartușul acumulatorului, glisați-l din mașină în timp ce glisați butonul de pe partea frontală a cartușului.

Pentru a instala cartușul acumulatorului, aliniați limba de pe cartușul acumulatorului cu canelura din carcasă și introduceți-l în locaș. Introduceți-l complet, până când se înclichetează în locaș. Dacă puteți vedea indicatorul roșu din partea superioară a butonului, acesta nu este blocat complet.

⚠️ATENȚIE: Instalați întotdeauna cartușul acumulatorului complet, până când indicatorul roșu nu mai este vizibil. În caz contrar, acesta poate cădea accidental din mașină provocând rănirea dumneavoastră sau a persoanelor din jur.

⚠️ATENȚIE: Nu forțați cartușul acumulatorului la montare. Dacă acesta nu glisează ușor, înseamnă că a fost introdus incorect.

Sistemul de protecție a acumulatorului

Mașina este prevăzută cu un sistem de protecție mașină/acumulator. Acest sistem întrerupe automat alimentarea motorului pentru a extinde durata de funcționare a mașinii și acumulatorului. Mașina se va opri automat în timpul funcționării dacă mașina sau acumulatorul se află într-una din situațiile următoare.

Suprasarcină:

Mașina este operată într-o manieră care determină atragerea unui curent de o intensitate anormal de ridicată. În această situație, opriți mașina și aplicația care a dus la suprasolicitarea mașinii. Apoi reporniți mașina. Dacă mașina nu pornește, acumulatorul este supraîncălzit. În această situație, lăsați acumulatorul să se răcească înainte de a reporni mașina.

Tensiune scăzută acumulator:

Capacitatea rămasă a acumulatorului este prea mică, iar mașina nu va funcționa. În această situație, scoateți și reincărcați acumulatorul.

Indicarea capacității rămase a acumulatorului

Numai pentru cartușe de acumulator cu indicator

► Fig.3: 1. Lămpi indicatoare 2. Buton de verificare
Apăsați butonul de verificare de pe cartușul acumulatorului, astfel încât să se indice capacitățile rămase ale acumulatorului. Lămpile indicatorului vor lumina timp de câteva secunde.

Lămpi indicatoare			Capacitate rămasă
Iluminat	Oprit	Iluminare intermitentă	
■	□	▨	între 75% și 100%
■ ■ ■ ■	□		între 50% și 75%
■ ■	□ □		între 25% și 50%
■	□ □ □ □		între 0% și 25%
▨	□ □ □ □		Încărcați acumulatorul.
■ ■ □ □	□ □		Este posibil ca acumulatorul să fie defect.
□ □ ■ ■	□ □		

NOTĂ: În funcție de condițiile de utilizare și temperatura ambientală, indicația poate fi ușor diferită de capacitatea reală.

Aționarea întrerupătorului

- Fig.4: 1. Buton ON (Pornire)/schimbare viteză
2. Buton OFF (Oprire)

Pentru a porni aspiratorul, apăsați pur și simplu butonul ON (Pornire)/schimbare viteză. Pentru a opri, apăsați butonul OFF (Oprire).

Puteți modifica viteza aspiratorului în trei pași, apăsând butonul ON (Pornire)/schimbare viteză.

Prima apăsare a acestui buton este pentru modul viteză ridicată, a doua pentru modul viteză max. iar a treia pentru viteză normală. Fiecare apăsare pe acest buton repetă alternativ ciclul de viteză ridicată/max./normală.

Aprinderea lămpii

⚠️ATENȚIE: Nu priviți direct în raza sau în sursa de lumină.

Pentru a aprinde lampa, apăsați butonul ON (Pornire)/schimbare viteză. Apăsați butonul OFF (Oprire) pentru a stinge lampa. Lampa se aprinde în timpul acționării uneltei.

Când capacitatea rămasă a acumulatorului se reduce, lampa începe să lumineze intermitent.

- Fig.5: 1. Buton ON (Pornire)/schimbare viteză
2. Buton OFF (Oprire) 3. Lampă

NOTĂ: Momentul în care lampa începe să lumineze intermitent depinde de temperatura din zona de lucru și de starea cartușului de acumulator.

ASAMBLARE

⚠️ATENȚIE: Asigurați-vă întotdeauna că mașina este oprită și cartușul acumulatorului este scos înainte de a executa orice lucrări la mașină.

Descrierea componentelor

Accesorii opționale

Filtru de performanță ridicată și suport și filtru spongios

- Fig.6: 1. Capsulă 2. Filtru de performanță ridicată
3. Suport și filtru spongios

Prefiltru sau filtru de performanță ridicată și filtru HEPA

- Fig.7: 1. Capsulă 2. Prefiltru 3. Filtru de performanță ridicată 4. Filtru HEPA

NOTĂ: Nu utilizați filtrul de performanță ridicată cu filtrul (accesoriu opțional). Este posibil să nu mai puteți scoate filtrul de performanță ridicată din aspirator.

NOTĂ: Atunci când utilizați prefiltrul opțional și filtrul cu filtru HEPA, utilizați numai prefiltrul peste filtrul HEPA. Dacă utilizați prefiltrul și filtrul cu filtru HEPA în același timp, este posibil ca puterea de aspirare să se reducă.

NOTĂ: Atunci când utilizați filtrul HEPA cu filtrul de performanță ridicată, utilizați filtrul de performanță ridicată cu suportul.

► Fig.8: 1. Suport

Eliminarea prafului

ATENȚIE: Goliți aspiratorul înainte ca acesta să se umple excesiv, pentru a evita reducerea puterii de aspirare.

ATENȚIE: Asigurați-vă că îndepărtați tot praful din interiorul aspiratorului. Neefectuarea acestei operațiuni poate produce înfundarea filtrului sau deteriorarea motorului.

Pentru a îndepărta depunerile de praf de pe filtrul din capsulă, loviți capsula cu mâna de 4 sau 5 ori.

► Fig.9: 1. Capsulă 2. Orificiu de aspirație

Îndreptați orificiul de aspirație în jos, răsuciți capsula în direcția săgeții din imagine și deconectați capsula lent și drept.

► Fig.10: 1. Capsulă 2. Orificiu de aspirație

NOTĂ: La deschiderea capsulei poate să curgă praf, deci asigurați-vă că ați așezat un sac de gunoi sub capsulă.

Scoateți praful acumulat în interiorul capsulei și de pe filtrul de performanță ridicată.

► Fig.11: 1. Capsulă 2. Filtru de performanță ridicată

Rotiți filtrul de performanță ridicată în direcția săgeții pentru a desface buza de fixare de unitatea aspiratorului și apoi trageți filtrul în afară.

► Fig.12: 1. Buză de fixare

NOTĂ: De asemenea, atunci când utilizați prefiltrul, urmați procedura de mai sus.

Curățați praful fin și loviți ușor pentru a disloca praful din filtrul de performanță ridicată.

Reasamblare

Conectați filtrul de performanță ridicată. În acest moment, asigurați-vă că rotiți filtrul de performanță ridicată, astfel încât buza de fixare să fie blocată ferm în unitatea aspiratorului.

► Fig.13: 1. Filtru de performanță ridicată

► Fig.14: 1. Buză de fixare

NOTĂ: Înainte de a utiliza aspiratorul, asigurați-vă întotdeauna că verificați dacă filtrul de performanță ridicată este montat corect. Dacă nu sunt montate corect, praful va pătrunde în carcasa motorului și va duce la defectarea motorului.

Dacă apare problema descrisă mai sus, filtrul de performanță ridicată nu este montat corect. Remontați-l corect pentru a remedia problema.

Montați capsula. Aliniați marcajul de pe capsulă cu marcajul de pe mâner și apoi răsuciți ferm capsula în direcția săgeții până când aceasta se fixează.

► Fig.15: 1. Marcaj 2. Mâner 3. Capsulă

NOTĂ: Întotdeauna scoateți praful din timp, deoarece puterea de aspirație va fi redusă dacă în aspirator există prea mult praf.

Exemple de probleme

Buza de fixare a filtrului de performanță ridicată nu este blocată bine în canalul carcasei aspiratorului.

► Fig.16: 1. Buză de fixare 2. Canelura carcasei aspiratorului

Montarea sau demontarea suportului/filtrului HEPA

Accesoriu opțional

Pentru suport și filtrul spongios

Pentru a demonta suportul, ridicați partea inferioară a stălpilor suportului cu degetele și eliberați canelura acestuia din proeminența de pe aspirator. Apoi, scoateți filtrul spongios.

► Fig.17: 1. Suport 2. Filtru spongios

Pentru montare, aliniați canelurile de pe suport cu proeminența de pe aspirator și apăsați până auziți un clic. Introduceți filtrul spongios între stâlpi și fixați-l în poziția inițială.

Pentru filtrul HEPA

Atunci când montați filtrul HEPA, fixați canelura de pe filtrul HEPA pe proeminența de pe aspirator. Apoi, așezați prefiltrul sau filtrul de performanță ridicată pe filtrul HEPA și rotiți-l pentru a-l fixa ferm. Pentru demontare, executați în ordine inversă procedura de montare.

► Fig.18: 1. Filtru HEPA 2. Prefiltru

► Fig.19: 1. Filtru HEPA 2. Filtru de performanță ridicată

OPERAREA

ATENȚIE: Nu vă apropiați fața de fanta de ventilație în timp ce aspiratorul funcționează. Dacă materialul suflat ajunge în ochi, este posibil ca acest lucru să provoace vătămări corporale.

Montarea sau demontarea accesoriului de aspirare

ATENȚIE: După montarea accesoriului, verificați dacă este fixat ferm. În cazul în care accesoriul este montat necorespunzător, acesta se poate desprinde, cauzând vătămări corporale.

ATENȚIE: Fiți atent să nu vă loviți cu mâna de perete etc. atunci când demontați accesoriul.

Când utilizați tubul de extensie cu funcția de blocare

Pentru a monta tubul de extensie, introduceți-l în orificiul de aspirație al aspiratorului până auziți un clic. Asigurați-vă că tubul de extensie este blocat.

► **Fig.20:** 1. Orificiu de aspirație 2. Tub de extensie 3. Cârlig

NOTĂ: Atunci când montați tubul de extensie, asigurați-vă că aliniați butonul de eliberare cu cârligul de pe tub. Dacă acestea nu sunt aliniate, tubul nu se va bloca și se poate desprinde de pe aspirator.

NOTĂ: Atunci când montați tubul de extensie fără funcția de blocare (accesoriu opțional), introduceți-l prin răscuire în orificiul de aspirație al aspiratorului în direcția săgeții. Pentru a-l deconecta, extrageți-l tot prin răscuire în direcția săgeții.

► **Fig.21**

Pentru a-l extrage, trageți tubul de extensie în timp ce apăsați butonul de eliberare.

► **Fig.22:** 1. Buton de eliberare 2. Tub de extensie

Când utilizați duza

ATENȚIE: Pentru a conecta duza, introduceți-o prin răscuire în direcția săgeții pentru a asigura conexiunea în timpul utilizării. Pentru a deconecta accesoriul, extrageți-l tot prin răscuire în direcția săgeții. Dacă duza este răscuită în direcția opusă, capsula se poate slăbi.

Pentru a monta duza, fixați-o ferm prin răscuire în orificiul de aspirație al aspiratorului sau în capătul tubului de extensie. Pentru deconectare, extrageți-o prin răscuire.

► **Fig.23**

Curățarea (Aspirarea)

Duză

Montați duza pentru a curăța mesele, birourile, mobila etc. Duza alunecă foarte ușor.

► **Fig.24:** 1. Duză

Duză + Tub de extensie (Țeavă dreaptă)

Tubul de extensie se montează între duză și aspiratorul propriu-zis. Această configurație este confortabilă pentru curățarea podelei în timp ce stați în picioare.

► **Fig.25:** 1. Corp aspirator 2. Tub de extensie 3. Duză

Duză pentru colțuri

Montați duza pentru colțuri pentru a curăța colțurile și spațiile înguste ale unei mașini sau ale mobilei.

► **Fig.26:** 1. Duză pentru colțuri 2. Corp aspirator

Duză pentru colțuri + Tub de extensie (Țeavă dreaptă)

În locurile strâmte unde aspiratorul nu poate fi introdus, sau în locurile înalte la care este greu de ajuns, utilizați această configurație.

► **Fig.27:** 1. Duză pentru colțuri 2. Tub de extensie 3. Corp aspirator

Curățarea fără duză

Puteți aspira pulberea și praful fără duză.

► **Fig.28**

Pentru a aspira praful de pe podea în timp ce stați în picioare, este mai confortabil să montați tubul de extensie pe aspirator.

► **Fig.29:** 1. Tub de extensie

ÎNȚEȚINERE

ATENȚIE: Asigurați-vă întotdeauna că mașina este oprită și cartușul acumulatorului scos înainte de a executa lucrările de inspecție și întreținere.

Pentru a menține SIGURANȚA și FIABILITATEA produsului, reparațiile și orice alte lucrări de întreținere sau reglare trebuie executate de centre de service Makita autorizate sau proprii, folosind întotdeauna piese de schimb Makita.

După utilizare

NOTĂ: Sprijinirea aspiratorului de perete, fără niciun alt suport, poate cauza căderea aspiratorului și defectarea acestuia.

► **Fig.30**

Curățarea

NOTĂ: Nu utilizați niciodată gazolină, benzină, diluant, alcool sau alte substanțe asemănătoare. În caz contrar, pot rezulta decolorări, deformări sau fisuri.

NOTĂ: Nu suflați depunerile de praf de pe aspirator și de pe filtre cu un dispozitiv de îndepărtare a prafului prin suflare cu aer comprimat. Acest lucru permite pătrunderea prafului în carcasă și cauzează defecțiuni.

NOTĂ: După spălare, uscați filtrele complet înainte de utilizare. Filtrele uscate insuficient pot avea ca efect o putere mică de aspirare și pot scurta durata de viață a motorului.

NOTĂ: După curățare, asigurați-vă că reinstalați filtrele și filtrul spongios înainte de utilizare. Praful pătrunde în carcasa motorului și cauzează defecțiuni dacă utilizați aspiratorul fără filtre și fără filtrul spongios.

Corp aspirator

Din când în când ștergeți suprafața exterioară (corpul aspiratorului) a aspiratorului utilizând o lavetă umezită în apă cu săpun.

Curățați și deschiderea de aspirare și zona de montaj a filtrului.

► **Fig.31**

Filtru de performanță ridicată

Spălați filtrul în apă cu săpun atunci când acesta este infundat și când se reduce puterea aspiratorului. Uscați-l complet înainte de utilizare.

► **Fig.32**

Filtru HEPA

Accesorii opționale

NOTĂ: Nu frecăți și nu zgâriați filtrul HEPA cu obiecte dure, precum o perie sau o racletă.

Un filtru HEPA înfundat reduce capacitatea de aspirație. Curățați filtrul în mod regulat.

Ocazional, spălați filtrul HEPA în apă, clătiți-l și uscați-l complet la umbră înainte de utilizare. Nu spălați niciodată filtrul în mașina de spălat.

► Fig.33

Filtru spongios

Atunci când este murdar, curățați filtrul spongios respectând procedura următoare.

1. Scoateți filtrul.
2. Trageți filtrul spongios dintre stâlpi.
3. Curățați filtrul spongios, lovindu-l ușor cu palma sau spălându-l. Dacă îl spălați, uscați-l complet înainte de utilizare.
4. Introduceți filtrul spongios între stâlpi și fixați-l în poziția inițială. Asigurați-vă că fiecare margine inferioară a stâlpului apasă filtrul spongios și că nu există niciun spațiu liber între filtrul spongios și deschiderea de aspirare.

► Fig.34: 1. Filtru spongios 2. Margine inferioară a stâlpului

Suport de perete pentru aspirator cu acumulator

Accesorii opționale

NOTĂ: Șurubul pentru fixarea suportului nu este inclus. Pregătiți un șurub care să corespundă materialului de înșurubat.

Fixați suportul de perete pentru aspiratorul cu acumulator de un perete, o grindă sau o coloană solidă din lemn, unde suportul de perete pentru aspiratorul cu acumulator poate fi bine fixat. Asigurați-vă întotdeauna că suportul de perete pentru aspiratorul cu acumulator este bine fixat înainte de a agăța aspiratorul.

► Fig.35: 1. Suport de perete pentru aspirator cu acumulator

ATENȚIE: Nu agățați aspiratorul de suportul de perete într-un mod violent și nu agățați de el alte aparate electrocasnice.

Depanare

Înainte de a solicita reparații, verificați următoarele puncte.

Simptom	Zona care trebuie investigată	Metoda de fixare
Putere slabă de aspirație	Capsula este plină de praf?	Eliminați tot praful din capsulă.
	Este filtrul înfundat?	Curățați sau spălați filtrul.
	Cartușul acumulatorului este epuizat?	Încărcați cartușul acumulatorului.
Nu funcționează	Cartușul acumulatorului este epuizat?	Încărcați cartușul acumulatorului.

ATENȚIE: Nu încercați să reparați aspiratorul pe cont propriu.

ACCESORII OPȚIONALE

ATENȚIE: Folosiți accesoriile sau piesele auxiliare recomandate pentru mașina dumneavoastră Makita în acest manual. Utilizarea oricăror alte accesorii sau piese auxiliare poate prezenta risc de vătămare corporală. Utilizați accesoriile și piesele auxiliare numai în scopul destinat.

Dacă aveți nevoie de asistență sau de mai multe detalii referitoare la aceste accesorii, adresați-vă centrului local de service Makita.

- Tub de extensie (Teavă dreaptă)
- Duză
- Duză pentru covoare
- Perie pentru rafturi
- Duză pentru colțuri
- Perie rotundă

- Furtun flexibil
- Filtru
- Prefiltru
- Filtru de performanță ridicată
- Filtru HEPA
- Acumulator și încărcător original Makita
- Duză liberă
- Duză scaun
- Duză pentru curățarea spațiilor greu accesibile
- Suport de perete pentru aspirator cu acumulator

NOTĂ: Unele articole din listă pot fi incluse ca accesorii standard în ambalajul de scule. Acestea pot diferi în funcție de țară.

WARNUNG

Dieses Gerät kann von Kindern ab 8 Jahren und Personen mit verminderten körperlichen, sensorischen oder geistigen Fähigkeiten oder Mangel an Erfahrung und Kenntnissen benutzt werden, sofern sie eine Beaufsichtigung oder Anweisung bezüglich des sicheren Gebrauchs des Gerätes erhalten haben und die damit verbundenen Gefahren verstehen. Kinder dürfen nicht mit dem Gerät spielen. Reinigung und Benutzerwartung dürfen nicht von Kindern ohne Beaufsichtigung durchgeführt werden.

TECHNISCHE DATEN

Modell:		DCL281F
Kapazität		750 mL
Dauerbetrieb (mit Akku BL1830B)	1 (Normaldrehzahlmodus)	Ca. 50 min
	2 (Hochdrehzahlmodus)	Ca. 20 min
	3 (Maximaldrehzahlmodus)	Ca. 15 min
Gesamtlänge		1.016 mm
Nennspannung		18 V Gleichstrom
Nettogewicht		1,2 - 1,6 kg

- Wir behalten uns vor, Änderungen der technischen Daten im Zuge der Entwicklung und des technischen Fortschritts ohne vorherige Ankündigung vorzunehmen.
- Die technischen Daten können von Land zu Land unterschiedlich sein.
- Das Gewicht schließt keine Zubehörteile, aber Akkus ein. Das niedrigste und höchste Kombinationsgewicht des Gerätes und der Akkus sind in der Tabelle angegeben.

Zutreffende Akkus und Ladegeräte

Akku	BL1815N / BL1820 / BL1820B / BL1830 / BL1830B / BL1840 / BL1840B / BL1850 / BL1850B / BL1860B
Ladegerät	DC18RC / DC18RD / DC18RE / DC18SD / DC18SE / DC18SF

- Einige der oben aufgelisteten Akkus und Ladegeräte sind je nach Ihrem Wohngebiet eventuell nicht erhältlich.

⚠️ WARNUNG: Verwenden Sie nur die oben aufgeführten Akkus und Ladegeräte. Bei Verwendung irgendwelcher anderer Akkus und Ladegeräte besteht Verletzungs- und/oder Brandgefahr.

Symbole

Nachfolgend werden die für das Gerät verwendeten Symbole beschrieben. Machen Sie sich vor der Benutzung mit ihrer Bedeutung vertraut.



Betriebsanleitung lesen.



Nur für EG-Länder
Entsorgen Sie Elektrogeräte oder Akkus nicht zusammen mit dem Hausmüll! Unter Einhaltung der Europäischen Richtlinie über Elektro- und Elektronik-Altgeräte, Batterien, Akkus sowie verbrauchte Batterien und Akkus und ihre Umsetzung gemäß den Landesgesetzen müssen Elektrogeräte und Batterien bzw. Akkus, die das Ende ihrer Lebensdauer erreicht haben, getrennt gesammelt und einer umweltgerechten Recycling-Einrichtung zugeführt werden.

Vorgesehene Verwendung

Das Werkzeug ist für das Absaugen von Trockenstaub vorgesehen.

SICHERHEITSWARNUNGEN

Sicherheitswarnungen für Akku-Staubsauger

⚠️ WARNUNG: WICHTIG! Alle Sicherheitswarnungen und Anweisungen **VOR GEBRAUCH AUFMERKSAM LESEN**. Eine Missachtung der Warnungen und Anweisungen kann zu einem elektrischen Schlag, Brand und/oder schweren Verletzungen führen.

1. Das Gerät keinem Regen aussetzen. In Innenräumen aufbewahren.
2. Das Gerät darf nicht als Spielzeug benutzt werden. Wenn das Gerät von Kindern oder in deren Nähe benutzt wird, ist besondere Vorsicht geboten.
3. Nur gemäß der Beschreibung in dieser Anleitung benutzen. Nur vom Hersteller empfohlene Zusatzvorrichtungen verwenden.
4. Nicht mit beschädigtem Akku benutzen. Falls das Gerät nicht ordnungsgemäß funktioniert, fallen gelassen, beschädigt, im Freien liegen gelassen wurde oder ins Wasser gefallen ist, bringen Sie es zu einem Kundenzentrum.
5. Fassen Sie das Gerät nicht mit nassen Händen an.
6. Stecken Sie keine Gegenstände in die Öffnungen. Benutzen Sie das Gerät nicht mit einer blockierten Öffnung; halten Sie es frei von Staub, Fusseln, Haaren und Fremdkörpern, die den Luftstrom behindern können.
7. Halten Sie Haare, lose Kleidung, Finger und alle Körperteile von den Öffnungen und beweglichen Teilen fern.
8. Schalten Sie sämtliche Bedienelemente aus, bevor Sie den Akku abnehmen.
9. Lassen Sie bei der Reinigung von Treppen besondere Vorsicht walten.
10. Verwenden Sie das Gerät nicht zum Aufsaugen von brennbaren oder feuergefährlichen Flüssigkeiten, wie z. B. Benzin, und benutzen Sie es auch nicht in der Nähe solcher Flüssigkeiten.
11. Verwenden Sie nur das vom Hersteller gelieferte Ladegerät zum Aufladen.
12. Saugen Sie keine brennenden oder rauchenden Gegenstände auf, wie z. B. Zigaretten, Streichhölzer oder heiße Asche.
13. Benutzen Sie das Gerät nicht ohne angebrachten Staubsack und/oder Filter.
14. Laden Sie den Akku nicht im Freien.

15. Laden Sie den Akku nur mit dem vom Hersteller vorgeschriebenen Ladegerät. Ein Ladegerät, das für einen Akkutyp geeignet ist, kann bei Verwendung mit einem anderen Akku eine Brandgefahr darstellen.
16. Benutzen Sie Elektrowerkzeuge nur mit den ausdrücklich vorgeschriebenen Akkus. Bei Verwendung irgendwelcher anderer Akkus besteht Verletzungs- und Brandgefahr.
17. Bewahren Sie den Akku bei Nichtgebrauch nicht zusammen mit Metallgegenständen, wie Büroklammern, Münzen, Schlüsseln, Nägeln, Schrauben, und anderen kleinen Metallteilen auf, welche die Kontakte kurzschließen können.
18. Bei Missbrauch kann Flüssigkeit aus dem Akku austreten. Vermeiden Sie Kontakt mit dieser Flüssigkeit. Falls Sie versehentlich mit der Flüssigkeit in Berührung kommen, spülen Sie die betroffenen Stellen mit Wasser ab.
19. Verwenden Sie keinen Akku und auch kein Werkzeug, der (das) beschädigt oder modifiziert ist. Beschädigte oder modifizierte Akkus können unvorhersehbares Verhalten zeigen, das zu einem Brand, einer Explosion oder Verletzungsgefahr führen kann.
20. Setzen Sie einen Akku oder ein Werkzeug nicht Feuer oder übermäßigen Temperaturen aus. Bei Einwirkung von Feuer oder Temperaturen über 130 °C kann es zu einer Explosion kommen.
21. Befolgen Sie alle Ladeanweisungen, und laden Sie den Akku bzw. das Werkzeug nicht außerhalb des in den Anweisungen angegebenen Temperaturbereichs. Wird der Ladevorgang unsachgemäß oder bei Temperaturen außerhalb des angegebenen Bereichs durchgeführt, kann es zu einer Beschädigung des Akkus und erhöhter Brandgefahr kommen.

BEWAHREN SIE DIESE ANLEITUNG AUF.

ZUSÄTZLICHE SICHERHEITSGESETZE

Dieses Gerät ist für Haushaltsgebrauch vorgesehen.

1. Lesen Sie diese Gebrauchsanleitung und die Gebrauchsanleitung des Ladegerätes vor der Benutzung aufmerksam durch.
2. Unterlassen Sie das Aufsaugen der folgenden Materialien:
 - Heiße Materialien, wie z. B. brennende Zigaretten oder durch Schleifen/Schneiden von Metall erzeugte Funken/Metallstaub
 - Brennbare Materialien, wie z. B. Benzin, Verdünner, Petroleum oder Lack
 - Explosive Materialien, wie Nitroglycerin
 - Zündfähige Materialien, wie z. B. Aluminium, Zink, Magnesium, Titan, Phosphor oder Celluloid
 - Nassen Schmutz, Wasser, Öl oder dergleichen

- Harte Gegenstände mit scharfen Kanten, wie z. B. Holzspäne, Metalle, Steine, Glas, Nägel, Nadeln oder Rasierklingen
 - Klumpen bildendes Pulver, wie z. B. Zement oder Toner
 - Leitfähiger Staub, wie z. B. Metall- oder Kohlenstaub
 - Feine Partikel, wie z. B. Betonstaub
- Solche Handlungen können einen Brand, Verletzungen und/oder Sachschäden verursachen.
3. Brechen Sie den Betrieb sofort ab, wenn Sie irgendetwas Ungewöhnliches bemerken.
 4. Falls Sie den Staubsauger fallen lassen oder anstoßen, überprüfen Sie ihn vor der Benutzung sorgfältig auf Risse oder Beschädigung.
 5. Bringen Sie das Gerät nicht in die Nähe von Öfen oder anderen Wärmequellen.
 6. Blockieren Sie nicht die Einlassöffnung oder die Belüftungsöffnungen.

BEWAHREN SIE DIESE ANLEITUNG AUF.

Wichtige Sicherheitsanweisungen für Akku

1. Lesen Sie vor der Benutzung des Akkus alle Anweisungen und Warnhinweise, die an (1) Ladegerät, (2) Akku und (3) Akkuwerkzeug angebracht sind.
2. Unterlassen Sie ein Zerlegen des Akkus.
3. Falls die Betriebszeit beträchtlich kürzer geworden ist, stellen Sie den Betrieb sofort ein. Anderenfalls besteht die Gefahr von Überhitzung, möglichen Verbrennungen und sogar einer Explosion.
4. Falls Elektrolyt in Ihre Augen gelangt, waschen Sie sie mit sauberem Wasser aus, und begeben Sie sich unverzüglich in ärztliche Behandlung. Anderenfalls können Sie Ihre Sehkraft verlieren.
5. Der Akku darf nicht kurzgeschlossen werden:
 - (1) Die Kontakte dürfen nicht mit leitfähigem Material berührt werden.
 - (2) Lagern Sie den Akku nicht in einem Behälter zusammen mit anderen Metallgegenständen, wie z. B. Nägel, Münzen usw.
 - (3) Setzen Sie den Akku weder Wasser noch Regen aus.

Ein Kurzschluss des Akkus verursacht starken Stromfluss, der Überhitzung, mögliche Verbrennungen und einen Defekt zur Folge haben kann.

6. Lagern Sie das Werkzeug und den Akku nicht an Orten, an denen die Temperatur 50 °C erreichen oder überschreiten kann.
7. Versuchen Sie niemals, den Akku zu verbrennen, selbst wenn er stark beschädigt oder vollkommen verbraucht ist. Der Akku kann im Feuer explodieren.

8. Achten Sie darauf, dass der Akku nicht fallen gelassen oder Stößen ausgesetzt wird.
9. Benutzen Sie keine beschädigten Akkus.
10. Die enthaltenen Lithium-Ionen-Akkus unterliegen den Anforderungen der Gefahrengut-Gesetzgebung.
Für kommerzielle Transporte, z. B. durch Dritte oder Spediteure, müssen besondere Anforderungen zu Verpackung und Etikettierung beachtet werden.
Zur Vorbereitung des zu transportierenden Artikels ist eine Beratung durch einen Experten für Gefahrengut erforderlich. Bitte beachten Sie möglicherweise ausführlichere nationale Vorschriften. Überkleben oder verdecken Sie offene Kontakte, und verpacken Sie den Akku so, dass er sich in der Verpackung nicht umher bewegen kann.
11. Befolgen Sie die örtlichen Bestimmungen bezüglich der Entsorgung von Akkus.
12. Verwenden Sie die Akkus nur mit den von Makita angegebenen Produkten. Das Einsetzen der Akkus in nicht konforme Produkte kann zu einem Brand, übermäßiger Hitzebildung, einer Explosion oder Auslaufen von Elektrolyt führen.

DIESE ANWEISUNGEN AUFBEWAHREN.

⚠VORSICHT: Verwenden Sie nur Original-Makita-Akkus. Die Verwendung von Nicht-Original-Makita-Akkus oder von Akkus, die abgeändert worden sind, kann zum Bersten des Akkus und daraus resultierenden Bränden, Personenschäden und Beschädigung führen. Außerdem wird dadurch die Makita-Garantie für das Makita-Werkzeug und -Ladegerät ungültig.

Hinweise zur Aufrechterhaltung der maximalen Akku-Nutzungsdauer

1. Laden Sie den Akku, bevor er vollkommen erschöpft ist. Schalten Sie das Werkzeug stets aus, und laden Sie den Akku, wenn Sie ein Nachlassen der Werkzeugleistung feststellen.
2. Unterlassen Sie erneutes Laden eines voll aufgeladenen Akkus. Überladen führt zu einer Verkürzung der Nutzungsdauer des Akkus.
3. Laden Sie den Akku bei Raumtemperatur zwischen 10 – 40 °C. Lassen Sie einen heißen Akku abkühlen, bevor Sie ihn laden.
4. Der Akku muss geladen werden, wenn er lange Zeit (länger als sechs Monate) nicht benutzt wird.

FUNKTIONSBESCHREIBUNG

⚠ VORSICHT: Vergewissern Sie sich vor der Durchführung von Einstellungen oder Funktionsprüfungen des Werkzeugs stets, dass das Werkzeug ausgeschaltet und der Akku abgenommen ist.

⚠ VORSICHT: Achten Sie beim Einsetzen des Akkus darauf, dass Sie sich nicht die Finger zwischen Staubsauger und Akku klemmen, wie in der Abbildung gezeigt. Einklemmen von Fingern kann Verletzungen verursachen.

► Abb.1

Anbringen und Abnehmen des Akkus

⚠ VORSICHT: Schalten Sie das Werkzeug stets aus, bevor Sie den Akku anbringen oder abnehmen.

⚠ VORSICHT: Halten Sie das Werkzeug und den Akku beim Anbringen oder Abnehmen des Akkus sicher fest. Wenn Sie das Werkzeug und den Akku nicht sicher festhalten, können sie Ihnen aus der Hand rutschen, was zu einer Beschädigung des Werkzeugs und des Akkus und zu Körperverletzungen führen kann.

► Abb.2: 1. Rote Anzeige 2. Knopf 3. Akku

Ziehen Sie den Akku zum Abnehmen vom Werkzeug ab, während Sie den Knopf an der Vorderseite des Akkus verschieben.

Richten Sie zum Anbringen des Akkus dessen Führungsfeder auf die Nut im Gehäuse aus, und schieben Sie den Akku hinein. Schieben Sie ihn vollständig ein, bis er mit einem hörbaren Klicken einrastet. Falls die rote Anzeige an der Oberseite des Knopfes sichtbar ist, ist der Akku nicht vollständig verriegelt.

⚠ VORSICHT: Schieben Sie den Akku stets bis zum Anschlag ein, bis die rote Anzeige nicht mehr sichtbar ist. Anderenfalls kann er aus dem Werkzeug herausfallen und Sie oder umstehende Personen verletzen.

⚠ VORSICHT: Unterlassen Sie Gewaltanwendung beim Anbringen des Akkus. Falls der Akku nicht reibungslos hineingleitet, ist er nicht richtig ausgerichtet.

Akku-Schutzsystem

Das Werkzeug ist mit einem Werkzeug/Akku-Schutzsystem ausgestattet. Dieses System schaltet die Stromversorgung des Motors automatisch ab, um die Lebensdauer von Werkzeug und Akku zu verlängern. Das Werkzeug bleibt während des Betriebs automatisch stehen, wenn das Werkzeug oder der Akku einer der folgenden Bedingungen unterliegt.

Überlastung:

Das Werkzeug wird auf eine Weise benutzt, die eine ungewöhnlich hohe Stromaufnahme bewirkt. Schalten Sie in dieser Situation das Werkzeug aus, und brechen Sie die Arbeit ab, die eine Überlastung des Werkzeugs verursacht hat. Schalten Sie dann das Werkzeug wieder ein, um neu zu starten. Falls das Werkzeug nicht startet, ist der Akku überhitzt. Lassen Sie den Akku in dieser Situation abkühlen, bevor Sie das Werkzeug wieder einschalten.

Niedrige Akkuspannung:

Die Akku-Restkapazität ist zu niedrig, und das Werkzeug funktioniert nicht. Nehmen Sie in dieser Situation den Akku ab, und laden Sie ihn auf.

Anzeigen der Akku-Restkapazität

Nur für Akkus mit Anzeige

► Abb.3: 1. Anzeigelampen 2. Prüftaste

Drücken Sie die Prüftaste am Akku, um die Akku-Restkapazität anzuzeigen. Die Anzeigelampen leuchten wenige Sekunden lang auf.

Anzeigelampen			Restkapazität
Erleuchtet	Aus	Blinkend	
■	□	◐	75% bis 100%
■	■	□	50% bis 75%
■	□	□	25% bis 50%
■	□	□	0% bis 25%
◐	□	□	Den Akku aufladen.
■	■	□	Möglicherweise liegt eine Funktionsstörung im Akku vor.
□	□	■	

HINWEIS: Abhängig von den Benutzungsbedingungen und der Umgebungstemperatur kann die Anzeige geringfügig von der tatsächlichen Kapazität abweichen.

Schalterfunktion

► Abb.4: 1. Einschalttaste (ON)/Drehzahl-Umschalttaste 2. Ausschalttaste (OFF)

Drücken Sie zum Einschalten des Staubsaugers einfach die Einschalttaste (ON)/Drehzahl-Umschalttaste. Drücken Sie zum Ausschalten die Ausschalttaste (OFF).

Durch Drücken der Einschalttaste (ON)/Drehzahl-Umschalttaste können Sie die Drehzahl des Staubsaugers in drei Stufen ändern. Beim ersten Drücken dieser Taste erhalten Sie den Hochdrehzahlmodus, beim zweiten Drücken den Maximaldrehzahlmodus, und beim dritten Drücken den Normaldrehzahlmodus. Mit jedem Drücken dieser Taste wird der Zyklus hohe/maximale/normale Drehzahl abwechselnd wiederholt.

Einschalten der Lampe

⚠ VORSICHT: Blicken Sie nicht direkt in die Lampe oder die Lichtquelle.

Um die Lampe einzuschalten, drücken Sie die Einschalttaste (ON)/Drehzahl-Umschalttaste. Drücken Sie die Ausschalttaste (OFF), um die Lampe auszuschalten. Während des Betriebs des Werkzeugs leuchtet die Lampe.
Wenn die Akku-Restkapazität niedrig wird, beginnt die Lampe zu blinken.

- **Abb.5:** 1. Einschalttaste (ON)/Drehzahl-Umschalttaste 2. Ausschalttaste (OFF) 3. Lampe

HINWEIS: Der Zeitpunkt, zu dem die Lampe zu blinken beginnt, hängt von der Temperatur am Arbeitsplatz und dem Zustand des Akkus ab.

MONTAGE

⚠ VORSICHT: Vergewissern Sie sich vor der Ausführung von Arbeiten am Werkzeug stets, dass das Werkzeug ausgeschaltet und der Akku abgenommen ist.

Beschreibung der Teile

Sonderzubehör

Hochleistungsfilter, Strebe und Schwammfilter

- **Abb.6:** 1. Kapsel 2. Hochleistungsfilter 3. Strebe und Schwammfilter

Vorfilter oder Hochleistungsfilter und HEPA-Filter

- **Abb.7:** 1. Kapsel 2. Vorfilter 3. Hochleistungsfilter 4. HEPA-Filter

ANMERKUNG: Verwenden Sie den Hochleistungsfilter nicht mit dem Filter (Sonderzubehör). Der Hochleistungsfilter lässt sich sonst möglicherweise nicht mehr vom Staubsauger entfernen.

HINWEIS: Wenn Sie den optionalen Vorfilter und den optionalen Filter mit dem HEPA-Filter verwenden, verwenden Sie nur den Vorfilter über dem HEPA-Filter. Falls Sie den Vorfilter und den Filter gleichzeitig mit dem HEPA-Filter verwenden, kann die Saugkraft reduziert werden.

HINWEIS: Wenn Sie den HEPA-Filter mit dem Hochleistungsfilter verwenden, verwenden Sie den Hochleistungsfilter mit der Strebe.

- **Abb.8:** 1. Strebe

Staubentleerung

⚠ VORSICHT: Leeren Sie den Staubsauger, bevor er voll wird oder die Saugleistung nachlässt.

⚠ VORSICHT: Entleeren Sie auch unbedingt den Staub im Staubsauger selbst. Anderenfalls kann sich der Filter zusetzen, oder der Motor kann beschädigt werden.

Um den am Filter in der Kapsel haftenden Staub abzuschütteln, klopfen Sie 4- bis 5-mal mit Ihrer Hand auf die Kapsel.

- **Abb.9:** 1. Kapsel 2. Saugeinlass

Richten Sie den Saugeinlass nach unten, drehen Sie die Kapsel in Richtung des Pfeils in der Abbildung, und ziehen Sie die Kapsel langsam und gerade ab.

- **Abb.10:** 1. Kapsel 2. Saugeinlass

HINWEIS: Halten Sie einen Müllsack unter die Kapsel, da beim Öffnen der Kapsel Staub herausfallen kann.

Entfernen Sie angesammelten Staub aus dem Innenraum der Kapsel und des Hochleistungsfilters.

- **Abb.11:** 1. Kapsel 2. Hochleistungsfilter

Drehen Sie den Hochleistungsfilter in Pfeilrichtung, um die Sicherungslippe von der Staubsaugereinheit zu lösen, und ziehen Sie dann den Filter ab.

- **Abb.12:** 1. Sicherungslippe

HINWEIS: Wenn Sie den Vorfilter verwenden, befolgen Sie auch das obige Verfahren.

Entleeren Sie den Feinstaub, und klopfen Sie den Hochleistungsfilter leicht aus, um Staub abzuschütteln.

Zusammenbau

Schließen Sie den Hochleistungsfilter an. Drehen Sie dabei den Hochleistungsfilter so, dass die Sicherungslippe fest in der Staubsaugereinheit verankert ist.

- **Abb.13:** 1. Hochleistungsfilter

- **Abb.14:** 1. Sicherungslippe

ANMERKUNG: Vergewissern Sie sich vor der Benutzung des Staubsaugers stets, dass der Hochleistungsfilter korrekt eingesetzt ist. Falls sie nicht korrekt eingesetzt sind, dringt Staub in das Motorgehäuse ein und verursacht eine Motorstörung. Falls das Problem wie später beschrieben auftritt, ist der Hochleistungsfilter nicht korrekt eingesetzt. Setzen Sie sie korrekt ein, um das Problem zu beheben.

Bringen Sie die Kapsel an. Richten Sie die Markierung an der Kapsel auf die Markierung am Handgriff aus, und drehen Sie dann die Kapsel fest in Pfeilrichtung, bis sie gesichert ist.

- **Abb.15:** 1. Markierung 2. Handgriff 3. Kapsel

HINWEIS: Entfernen Sie den Staub stets rechtzeitig, da die Saugleistung verringert wird, wenn sich zu viel Staub im Staubsauger befindet.

Problemeispiele

Die Sicherungslippe des Hochleistungsfilters ist nicht fest in der Nut des Staubsaugergehäuses verankert.

- **Abb.16:** 1. Sicherungslippe 2. Nut des Staubsaugergehäuses

Anbringen oder Abnehmen von Strebe/HEPA-Filter

Sonderzubehör

Für Strebe und Schwammfilter

Um die Strebe zu entfernen, drücken Sie den unteren Teil der Säulen der Strebe mit Ihren Fingern hoch, und lösen Sie ihre Nut von dem Vorsprung am Staubsauger. Entfernen Sie anschließend den Schwammfilter.

► **Abb.17:** 1. Strebe 2. Schwammfilter

Zum Anbringen richten Sie die Nuten an der Strebe auf den Vorsprung am Staubsauger aus, und drücken Sie die Strebe hinein, bis sie einrastet.

Führen Sie den Schwammfilter zwischen den Säulen ein, und setzen Sie ihn in seine Ausgangsposition ein.

Für den HEPA-Filter

Wenn Sie den HEPA-Filter einsetzen, richten Sie die Nut des HEPA-Filters auf den Vorsprung des Staubsaugers aus. Setzen Sie dann den Vorfilter oder den Hochleistungsfilter auf den HEPA-Filter, und drehen Sie ihn, um ihn zu sichern. Zum Abnehmen ist das Anbringungsverfahren umgekehrt anzuwenden.

► **Abb.18:** 1. HEPA-Filter 2. Vorfilter

► **Abb.19:** 1. HEPA-Filter 2. Hochleistungsfilter

BETRIEB

⚠VORSICHT: Bringen Sie Ihr Gesicht beim Betrieb des Staubsaugers nicht in die Nähe der Ventilationsöffnung. Falls Fremdkörper in die Augen von Personen oder Tieren geblasen werden, kann dies zu Verletzungen führen.

Montieren und Demontieren des Saugergeräteaufsatzes

⚠VORSICHT: Prüfen Sie nach der Anbringung des Aufsatzes, ob er sicher angebracht ist. Falls der Aufsatz unvollständig angebracht ist, kann er sich lösen und Personenschäden verursachen.

⚠VORSICHT: Achten Sie beim Abnehmen des Aufsatzes darauf, dass Sie mit Ihrer Hand nicht gegen eine Wand usw. schlagen.

Bei Verwendung des Verlängerungsrohrs mit Verriegelungsfunktion

Um das Verlängerungsrohr anzubringen, führen Sie es in den Saugeinlass des Staubsaugers ein, bis es einrastet. Vergewissern Sie sich, dass das Verlängerungsrohr verriegelt ist.

► **Abb.20:** 1. Saugeinlass 2. Verlängerungsrohr 3. Raste

HINWEIS: Achten Sie beim Anbringen des Verlängerungsrohrs darauf, dass der Entriegelungsknopf auf die Raste am Verlängerungsrohr ausgerichtet ist. Falls sie nicht ausgerichtet sind, wird das Verlängerungsrohr nicht verriegelt und kann sich vom Staubsauger lösen.

HINWEIS: Wenn Sie das Verlängerungsrohr ohne Verriegelungsfunktion (Sonderzubehör) anbringen, drehen Sie es, während Sie es in Pfeilrichtung in den Saugeinlass des Staubsaugers einführen. Zum Trennen ziehen Sie es bei gleichzeitigem Drehen auch in Pfeilrichtung.

► **Abb.21**

Zum Abnehmen des Verlängerungsrohrs ziehen Sie es, während Sie den Entriegelungsknopf drücken.

► **Abb.22:** 1. Entriegelungsknopf
2. Verlängerungsrohr

Bei Verwendung der Düse

⚠VORSICHT: Um die Düse anzuschließen, führen Sie sie unter gleichzeitigem Drehen in Pfeilrichtung ein, um einwandfreie Verbindung während des Gebrauchs zu gewährleisten. Um den Aufsatz abzutrennen, ziehen Sie ihn unter gleichzeitigem Drehen in Pfeilrichtung ab. Wird die Düse in die entgegengesetzte Richtung gedreht, kann sich die Kapsel lockern.

Führen Sie die Düse zum Anbringen unter gleichzeitigem Drehen sicher in den Saugeinlass des Staubsaugers oder das Ende des Verlängerungsrohrs ein. Zum Trennen ziehen Sie ihn bei gleichzeitigem Drehen heraus.

► **Abb.23**

Reinigen (Saugen)

Düse

Bringen Sie die Düse an, um Tische, Pulte, Möbelstücke usw. abzusaugen. Die Düse lässt sich leicht aufstecken.

► **Abb.24:** 1. Düse

Düse + Verlängerungsrohr (gerades Rohr)

Das Verlängerungsrohr wird zwischen Düse und Staubsauger angebracht. Diese Anordnung ist praktisch, um den Fußboden im Stehen zu saugen.

► **Abb.25:** 1. Staubsauger-Hauptteil
2. Verlängerungsrohr 3. Düse

Spitzdüse

Bringen Sie die Spitzdüse an, um Ecken und Ritzen eines Autos oder Möbelstücks zu reinigen.

► **Abb.26:** 1. Spitzdüse 2. Staubsauger-Hauptteil

Spitzdüse + Verlängerungsrohr (gerades Rohr)

Benutzen Sie diese Anordnung in engen Zwischenräumen, in die der Staubsauger selbst nicht hineinpasst, oder an schwer erreichbaren hohen Orten.

- **Abb.27:** 1. Spitzdüse 2. Verlängerungsrohr
3. Staubsauger-Hauptteil

Staubsaugen ohne Düse

Sie können Pulver und Staub ohne Düse aufsaugen.

- **Abb.28**

Um Staub im Stehen von einem Fußboden aufzusaugen, ist es praktisch, das Verlängerungsrohr am Staubsauger anzubringen.

- **Abb.29:** 1. Verlängerungsrohr

WARTUNG

⚠ VORSICHT: Vergewissern Sie sich vor der Durchführung von Inspektions- oder Wartungsarbeiten stets, dass das Werkzeug ausgeschaltet und der Akku abgenommen ist.

Um die SICHERHEIT und ZUVERLÄSSIGKEIT dieses Produkts zu gewährleisten, sollten Reparaturen und andere Wartungs- oder Einstellarbeiten nur von Makita-Vertragswerkstätten oder Makita-Kundendienstzentren unter ausschließlicher Verwendung von Makita-Originalersatzteilen ausgeführt werden.

Nach dem Gebrauch

ANMERKUNG: Wird der Staubsauger ohne irgend eine Stütze gegen eine Wand gelehnt, kann er umkippen und beschädigt werden.

- **Abb.30**

Reinigen

ANMERKUNG: Verwenden Sie auf keinen Fall Benzin, Waschbenzin, Verdüner, Alkohol oder dergleichen. Solche Mittel können Verfärbung, Verformung oder Rissbildung verursachen.

ANMERKUNG: Blasen Sie am Staubsauger und an den Filtern haftenden Staub nicht mit einem Druckluftspray ab. Dadurch wird der Staub in das Gehäuse geblasen und ein Ausfall verursacht.

ANMERKUNG: Nachdem Sie die Filter gewaschen haben, lassen Sie sie vor Gebrauch gründlich trocknen. Unzureichend getrocknete Filter können schlechte Saugleistung verursachen und die Lebensdauer des Motors verkürzen.

ANMERKUNG: Nachdem Sie die Filter und den Schwammfilter gereinigt haben, setzen Sie sie vor Gebrauch unbedingt wieder ein. Wird der Staubsauger ohne Filter und Schwammfilter benutzt, kann Staub in das Motorgehäuse eindringen und eine Funktionsstörung verursachen.

Staubsauger-Hauptteil

Wischen Sie die Außenseite (Staubsauger-Hauptteil) des Staubsaugers von Zeit zu Zeit mit einem mit Seifenwasser getränkten Tuch ab.

Putzen Sie auch die Saugöffnung und den Filtermontagebereich aus.

- **Abb.31**

Hochleistungsfilter

Waschen Sie den Filter in Seifenwasser aus, wenn er mit Staub zugesetzt ist und die Saugleistung nachlässt. Lassen Sie ihn vor der Benutzung gründlich trocknen.

- **Abb.32**

HEPA-Filter

Sonderzubehör

ANMERKUNG: Unterlassen Sie Abreiben oder Abkratzen des HEPA-Filters mit harten Gegenständen, wie z. B. einer Bürste und einer Kratze.

Ein verstopfter HEPA-Filter verursacht schlechte Saugleistung. Säubern Sie den Filter von Zeit zu Zeit.

Waschen Sie den HEPA-Filter gelegentlich in Wasser aus, spülen Sie ihn ab, und lassen Sie ihn vor Gebrauch im Schatten trocknen. Waschen Sie den Filter niemals in einer Waschmaschine.

- **Abb.33**

Schwammfilter

Wenn der Schwammfilter verschmutzt wird, reinigen Sie ihn wie folgt.

1. Entfernen Sie den Filter.
2. Ziehen Sie den Schwammfilter zwischen den Säulen heraus.
3. Reinigen Sie den Schwammfilter durch Ausklopfen oder Waschen. Wenn Sie ihn waschen, lassen Sie ihn vor Gebrauch gründlich trocknen.
4. Führen Sie den Schwammfilter zwischen den Säulen ein, und setzen Sie ihn in seine Ausgangsposition ein. Vergewissern Sie sich, dass die Unterkanten der Säulen den Schwammfilter niederhalten, und dass kein Spalt zwischen dem Schwammfilter und der Saugöffnung vorhanden ist.

- **Abb.34:** 1. Schwammfilter 2. Unterkante der Säule

Wandhalterung für Akku-Staubsauger

Sonderzubehör

HINWEIS: Die Schraube für die Montage des Halters ist nicht im Lieferumfang enthalten. Besorgen Sie eine für das Einschraubmaterial passende Schraube.

Befestigen Sie die Wandhalterung für Akku-Staubsauger an einer festen Wand, einem Träger oder einer Säule aus Holz, an der die Wandhalterung für Akku-Staubsauger einwandfrei gesichert werden kann. Vergewissern Sie sich vor dem Aufhängen des Staubsaugers immer, dass die Wandhalterung für Akku-Staubsauger sicher befestigt ist.

- **Abb.35:** 1. Wandhalterung für Akku-Staubsauger

⚠ VORSICHT: Unterlassen Sie gewaltsames Aufhängen des Staubsaugers an der Wandhalterung oder Aufhängen anderer Geräte außer dem Staubsauger.

Fehlersuche

Bevor Sie eine Reparatur anfordern, überprüfen Sie bitte die folgenden Punkte.

Symptom	Prüfbereich	Abhilfeverfahren
Schwache Saugkraft	Ist die Kapsel mit Staub gefüllt?	Entleeren Sie den Staub aus der Kapsel.
	Ist der Filter verstopft?	Reinigen oder waschen Sie den Filter.
	Ist der Akku erschöpft?	Laden Sie den Akku auf.
Gerät funktioniert nicht	Ist der Akku erschöpft?	Laden Sie den Akku auf.

⚠ VORSICHT: Versuchen Sie nicht, den Staubsauger selbst zu reparieren.

SONDERZUBEHÖR

⚠ VORSICHT: Die folgenden Zubehörteile oder Vorrichtungen werden für den Einsatz mit dem in dieser Anleitung beschriebenen Makita-Werkzeug empfohlen. Die Verwendung anderer Zubehörteile oder Vorrichtungen kann eine Verletzungsgefahr darstellen. Verwenden Sie Zubehörteile oder Vorrichtungen nur für ihren vorgesehenen Zweck.

Wenn Sie weitere Einzelheiten bezüglich dieser Zubehörteile benötigen, wenden Sie sich bitte an Ihre Makita-Kundendienststelle.

- Verlängerungsrohr (gerades Rohr)
- Düse
- Düse für Teppich
- Regalbürste
- Spitzdüse
- Rundbürste
- Flexibler Schlauch
- Filter
- Vorfilter
- Hochleistungsfilter
- HEPA-Filter
- Original-Makita-Akku und -Ladegerät
- Freie Düse
- Sitzdüse
- Spaltendüse
- Wandhalterung für Akku-Staubsauger

HINWEIS: Manche Teile in der Liste können als Standardzubehör im Werkzeugsatz enthalten sein. Sie können von Land zu Land unterschiedlich sein.

Makita Europe N.V. Jan-Baptist Vinkstraat 2,
3070 Kortenberg, Belgium

Makita Corporation 3-11-8, Sumiyoshi-cho,
Anjo, Aichi 446-8502 Japan

www.makita.com

885706-972 EN, PL, HU, SK, CS, UK, RO, DE 20190128
