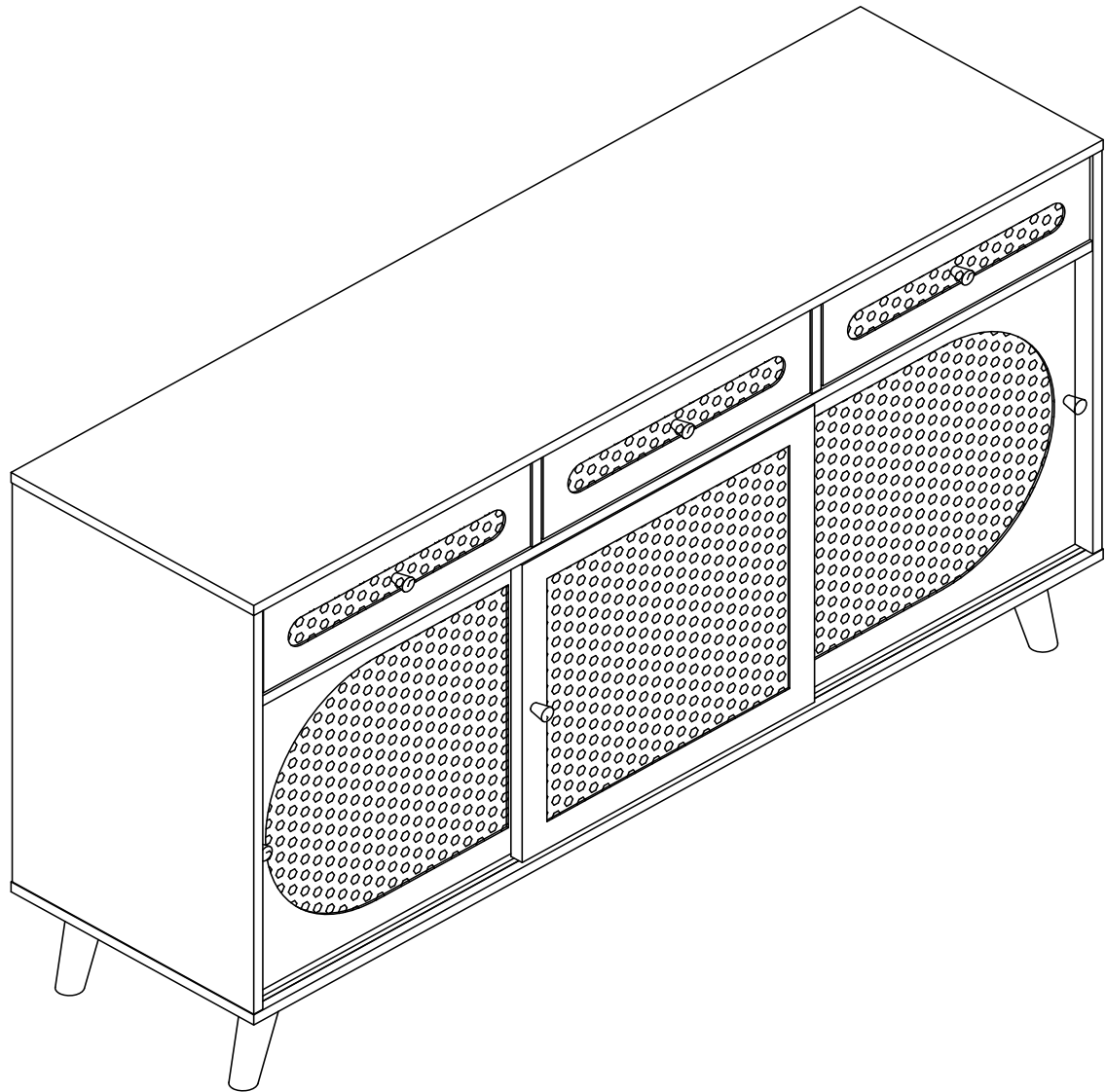


# Sideboard Anrichte



WF312857OAA  
WF312859OAA

## **Safety and Care Advice**

**Important - Please read these instructions fully before starting assembly.**

**Warning: This unit is relatively heavy. Please lift with care.**

**Check you have all the components and tools listed on pages 2 and 3.**

**Remove all fittings from the plastic bags and separate them into their groups.**

**Keep children and animals away from the work area, small parts could choke if swallowed.**

**Parts of the assembly will be easier with 2 people.**

**Make sure you have enough space to layout the parts before starting.**

**Do not stand or put weight on the product, this could cause damage.**

**Assemble the item as close as possible to its final position in the same room.**

**Assemble on a soft level surface to avoid damaging the unit or your floor use opened out unit carton.**

## **Care and maintenance**

**Only clean using a damp cloth and mild detergent, do not use bleach or abrasive cleaners.**

**From time to time check that there are no loose screws on this unit.**

### **(Note)**

**If required the next page can be cut out and used as reference throughout the assembly.**

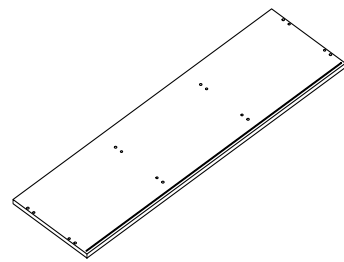
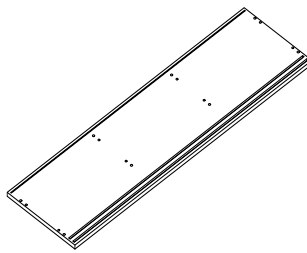
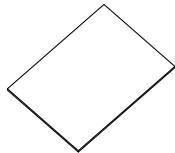
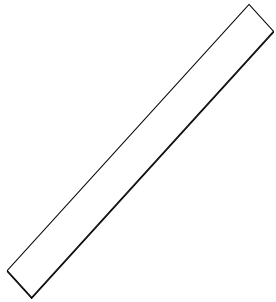
**Keep this page with these instructions for future reference Product Manual.**

**This product consists of 2 logistics packages, please check the number of your packages, if there is any missing, please contact the logistics.**

**Please read all precautions and instructions in this manual before using this product.**

**If you have any questions about this product, please contact your supplier in time.**

WF312857OAA

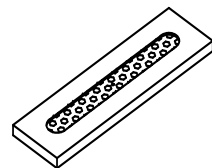
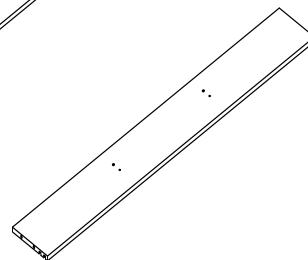
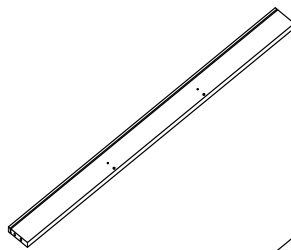
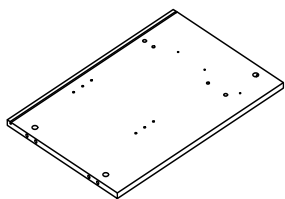
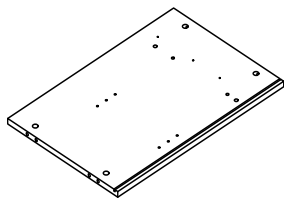


10\*1

16\*3

1\*1

2\*1



3\*1

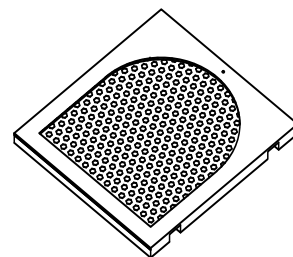
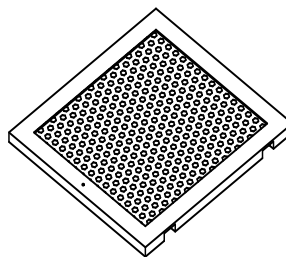
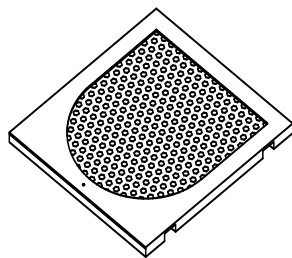
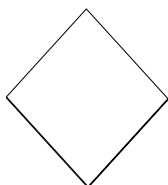
5\*1

7\*1

8\*1

12\*3

WF312859OAA

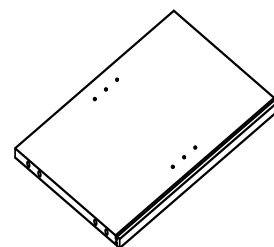
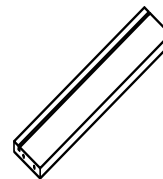
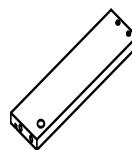
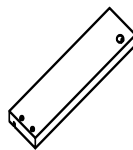
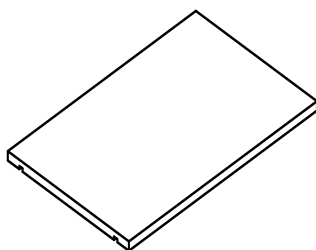
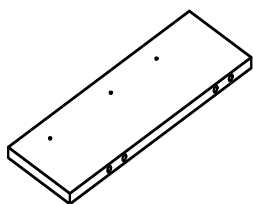


11\*3

17\*1

18\*1

19\*1



9\*2

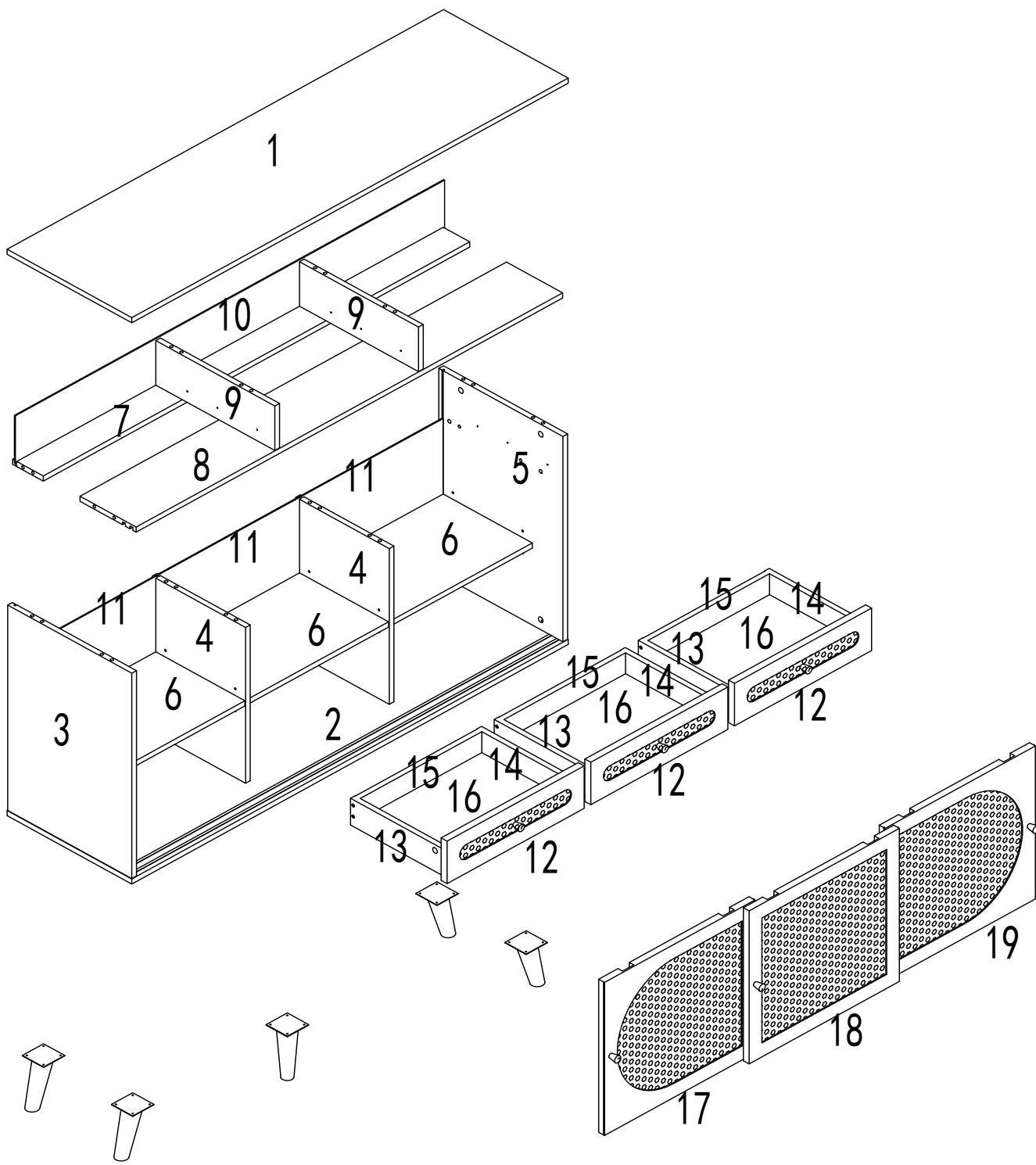
6\*3

13\*3

14\*3

15\*3

4\*2



A\*30

B\*30

C\*28

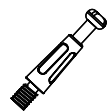
D\*16

E\*30

F\*6

G\*20

H\*3



Φ6\*30



Φ15\*10



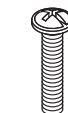
Φ8\*30



Φ4\*30



Φ3.5\*14



M4\*18

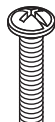
I\*3

CL\*3

CR\*3

DL\*3

DR\*3



M4\*24

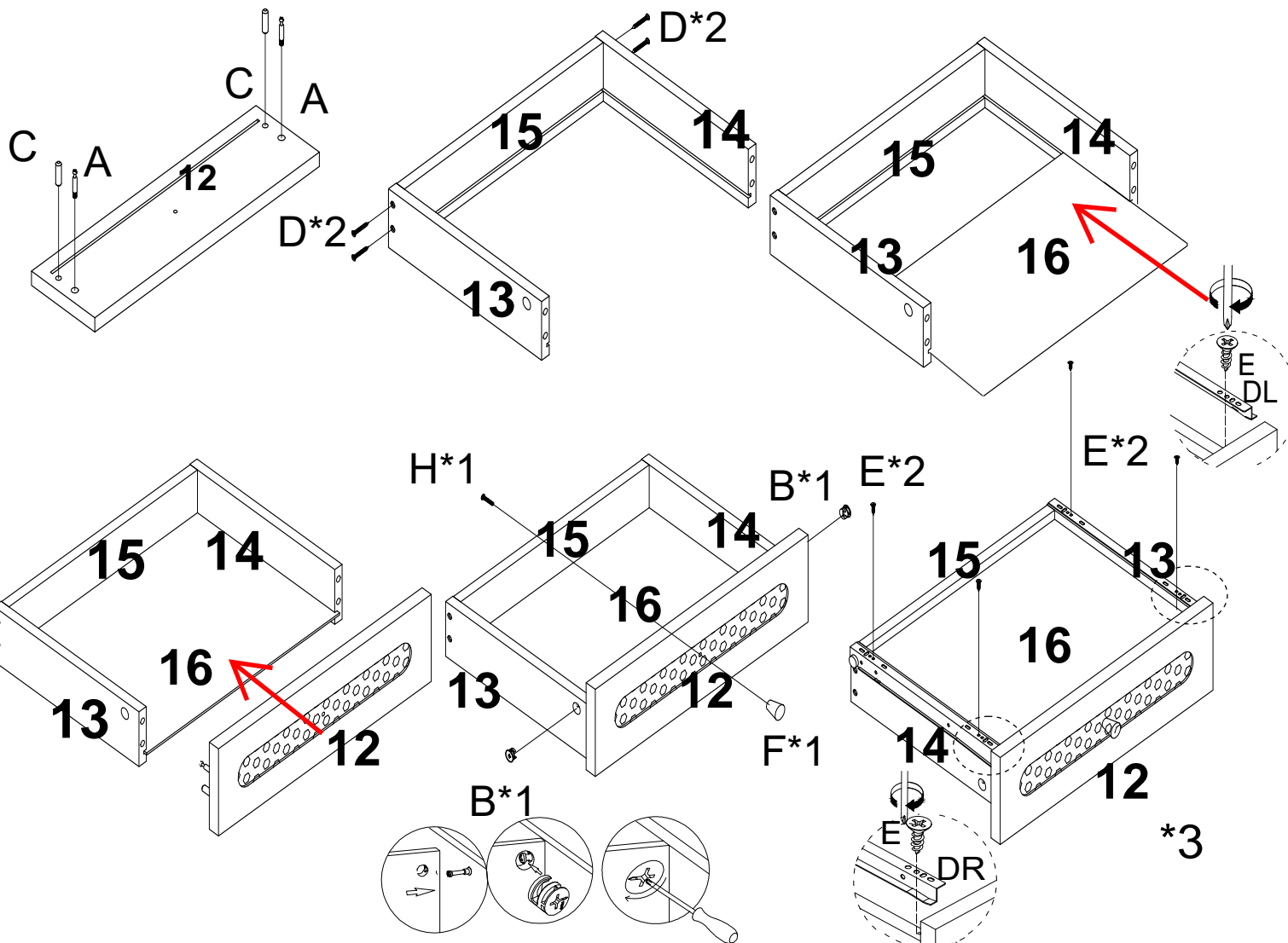


# Step 1

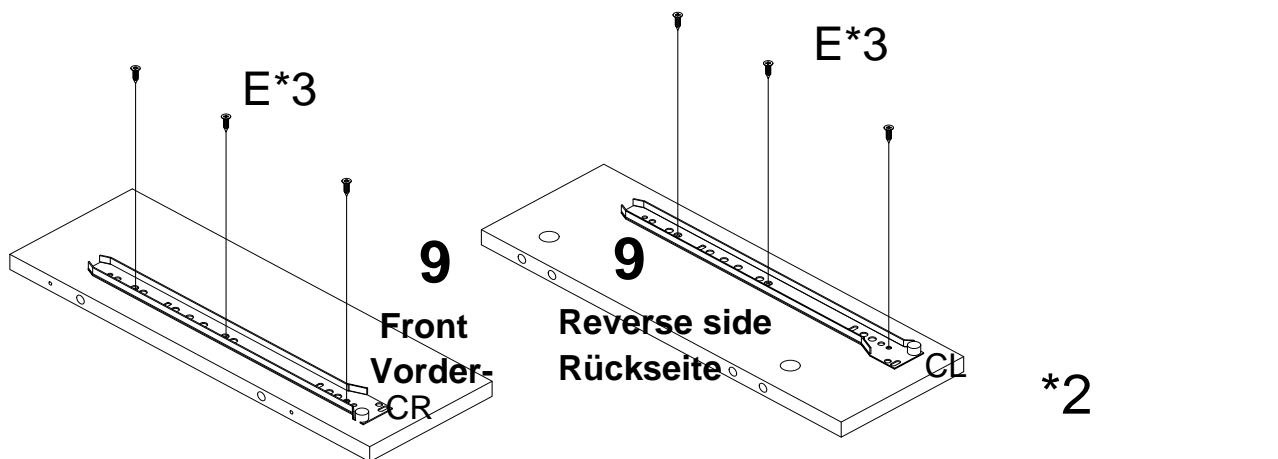
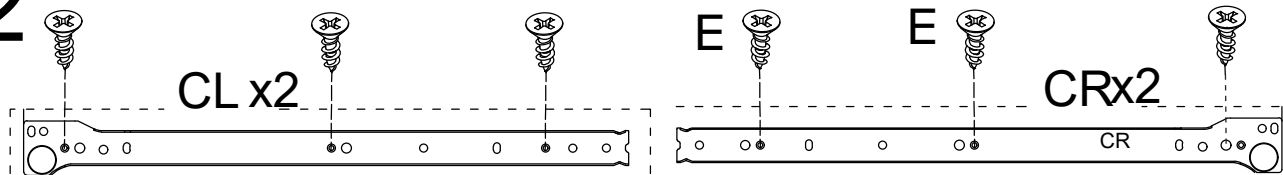
A\*6 B\*6 C\*6 E\*12 D\*12 G\*3 J\*3



CL\*2 CR\*2 DL\*3 DR\*3



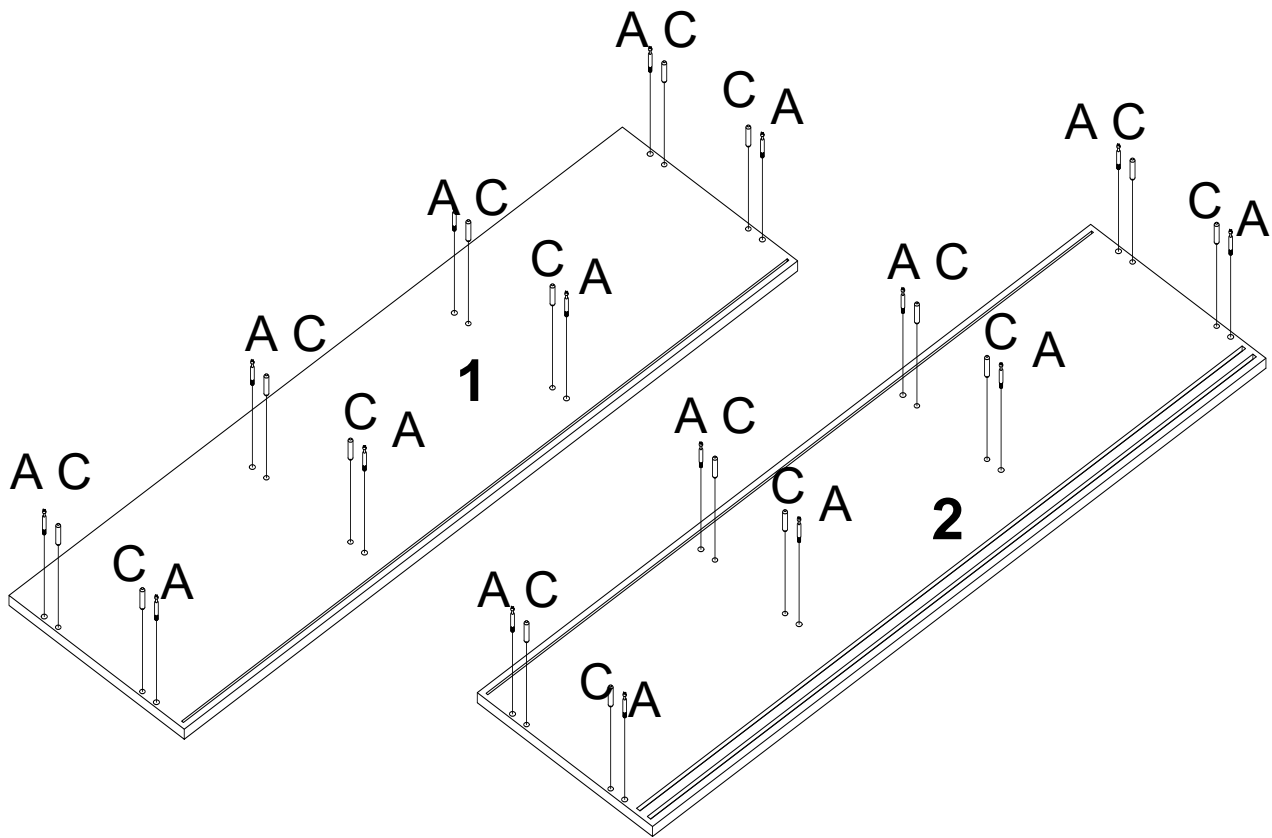
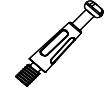
# Step 2



# Step3

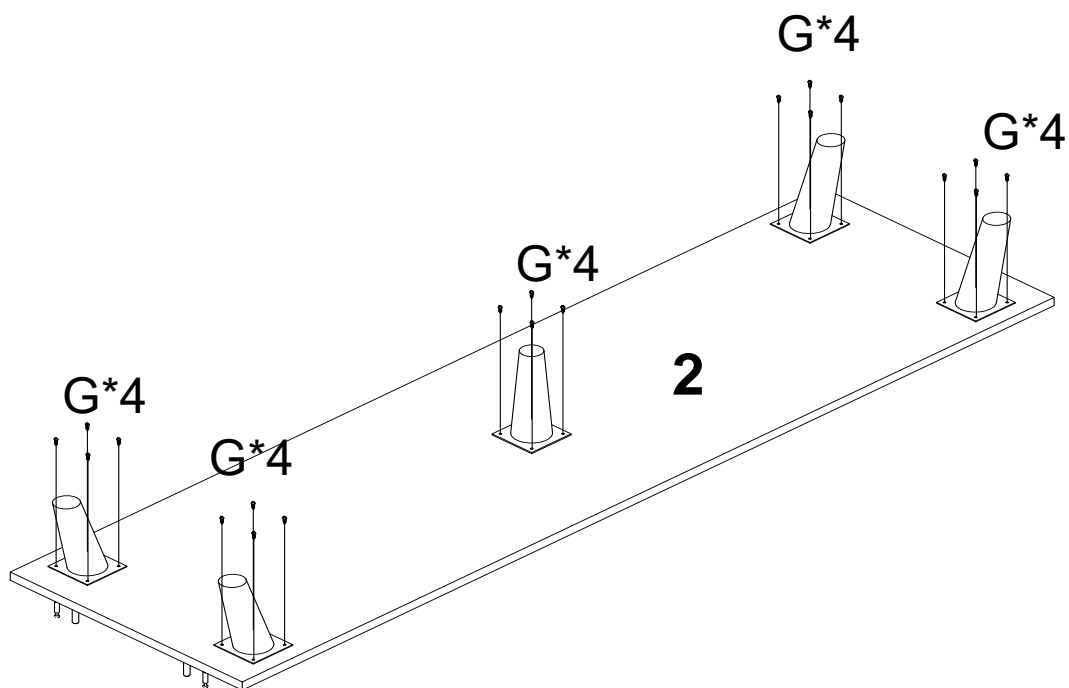
A\*16

C\*16



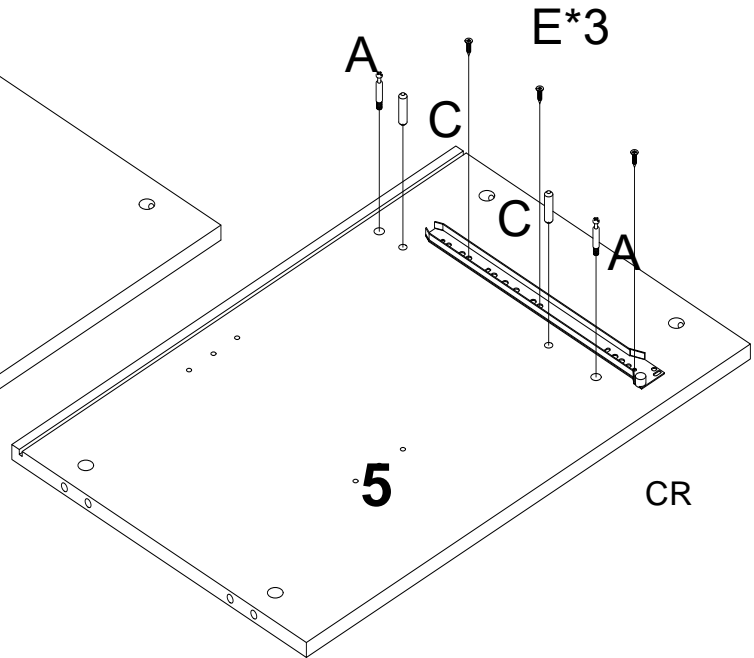
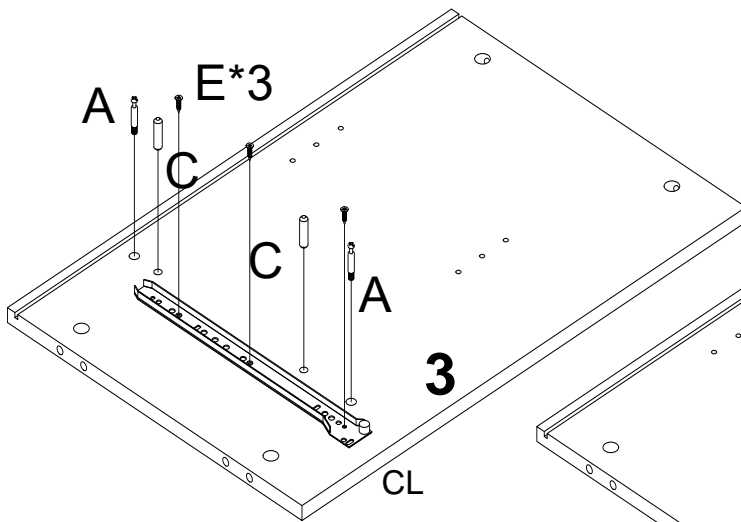
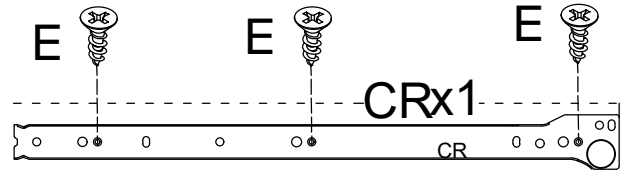
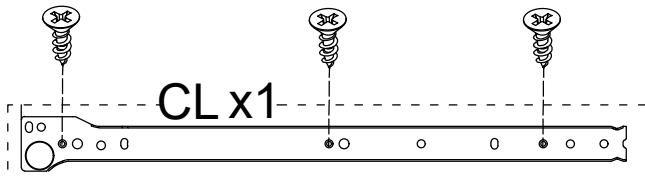
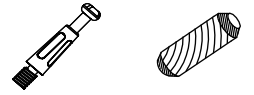
# Step4

G\*20



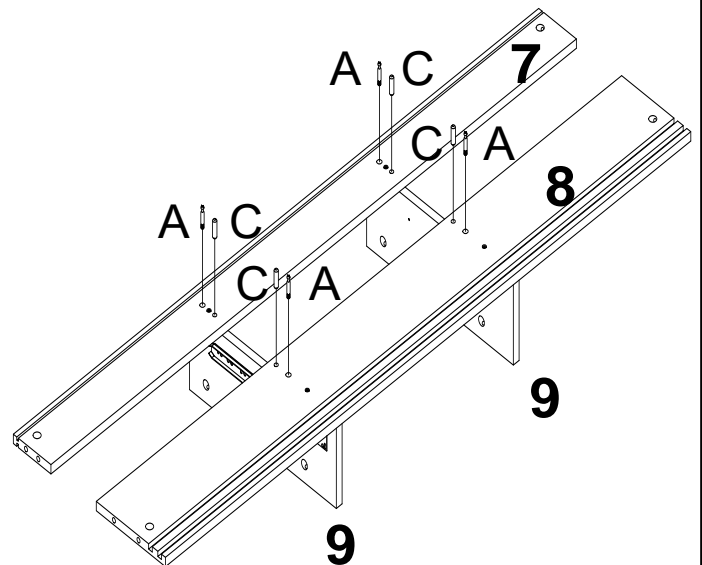
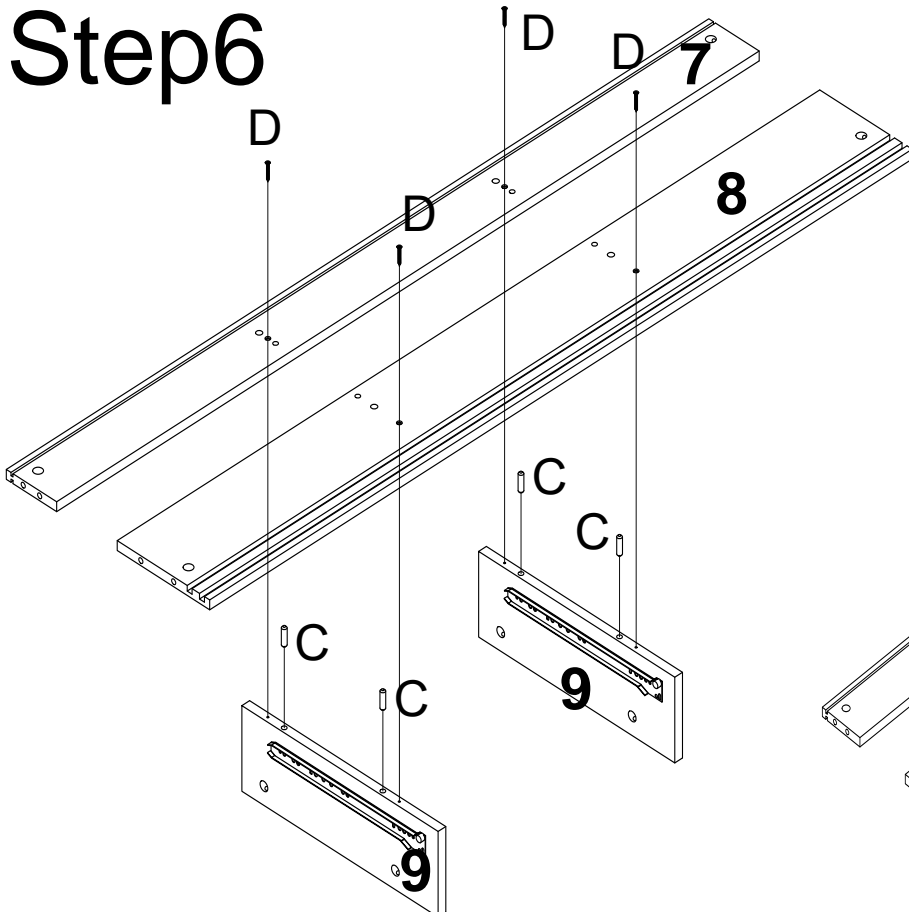
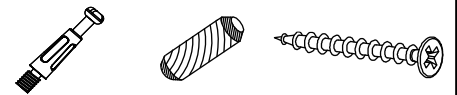
# Step 5

A\*4 C\*4



# Step 6

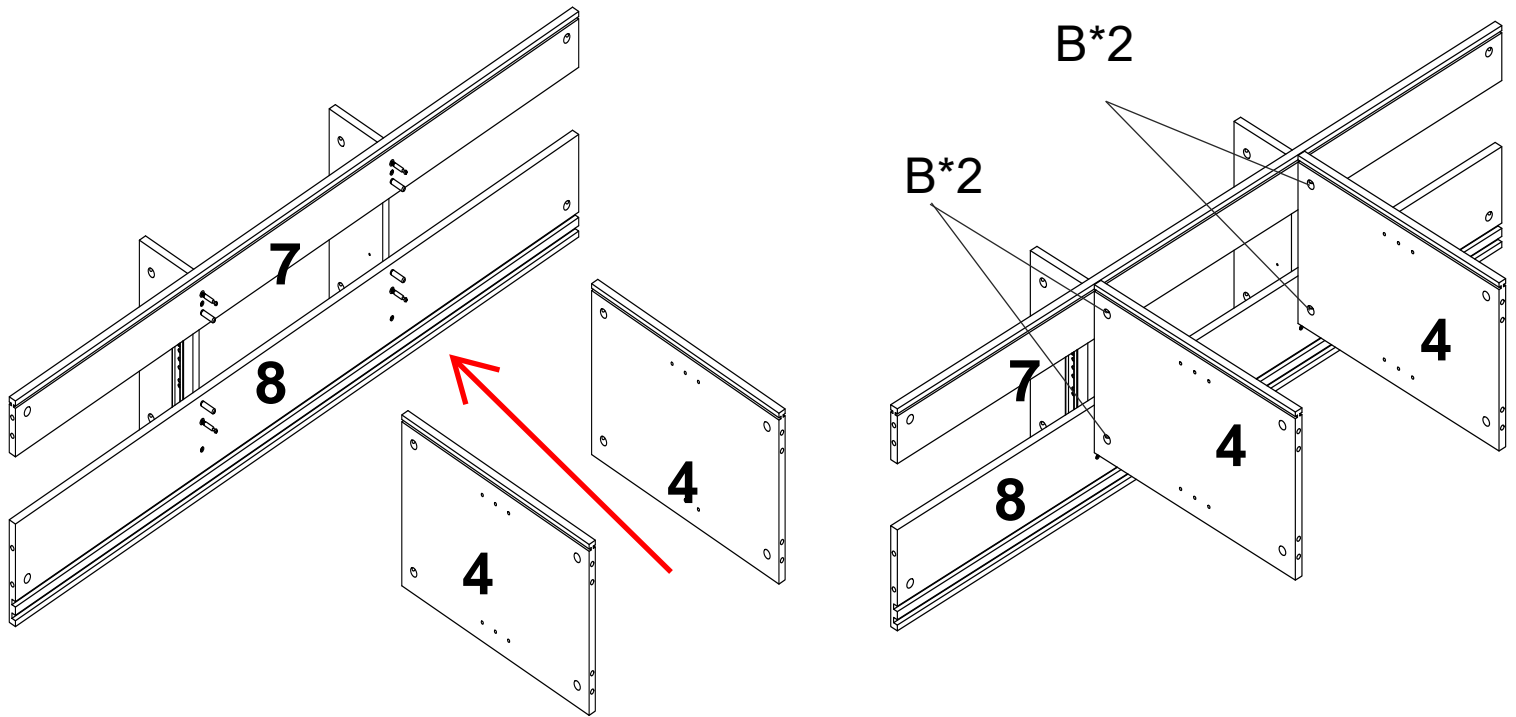
A\*4 C\*8 D\*4





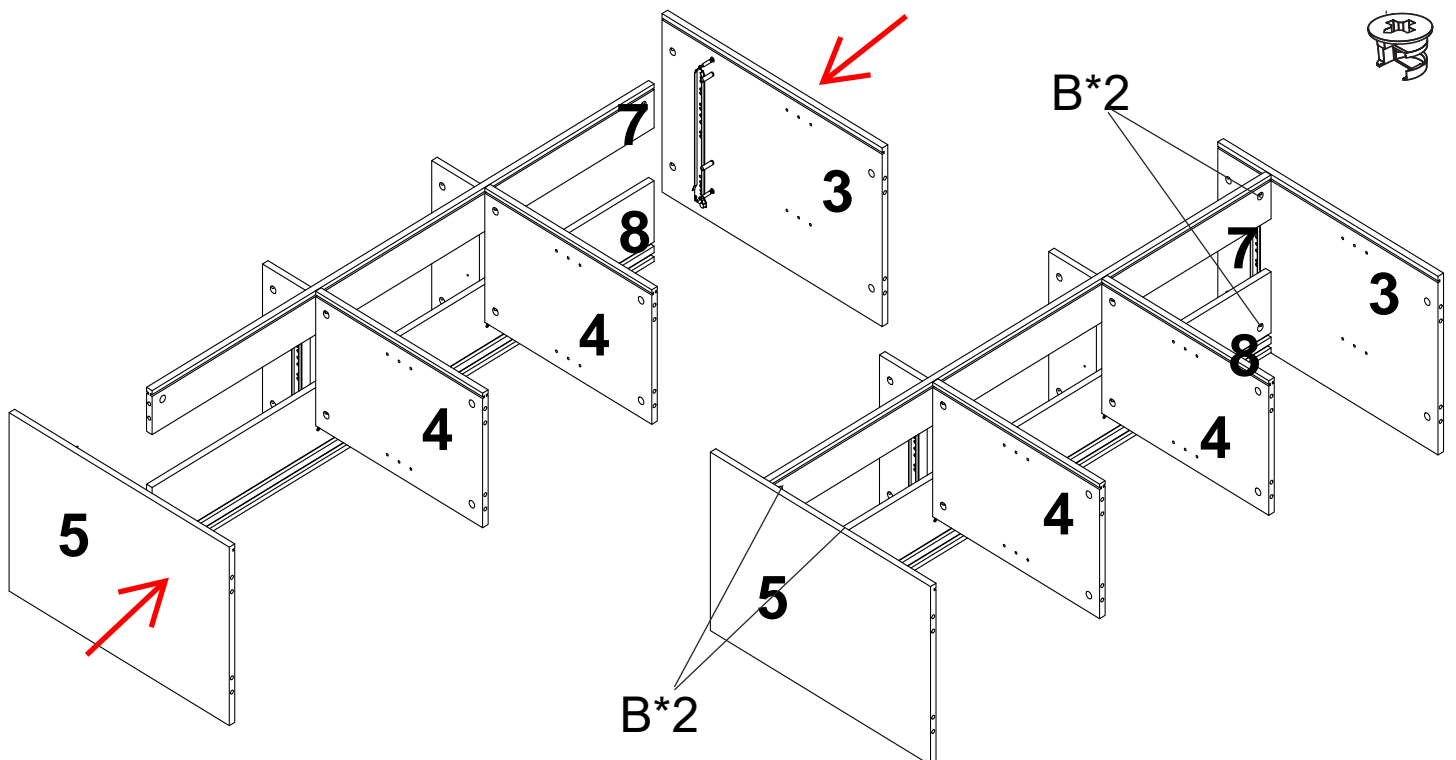
# Step7

B\*4

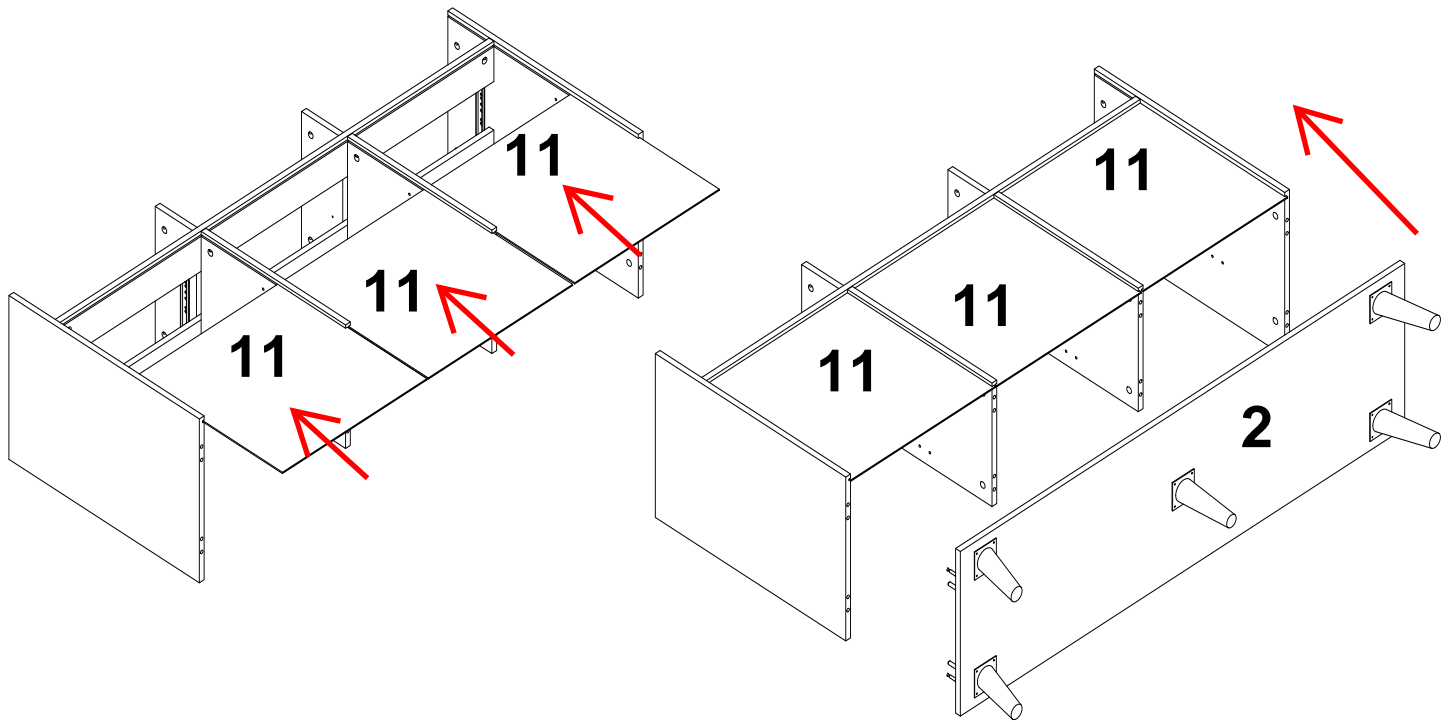


# Step8

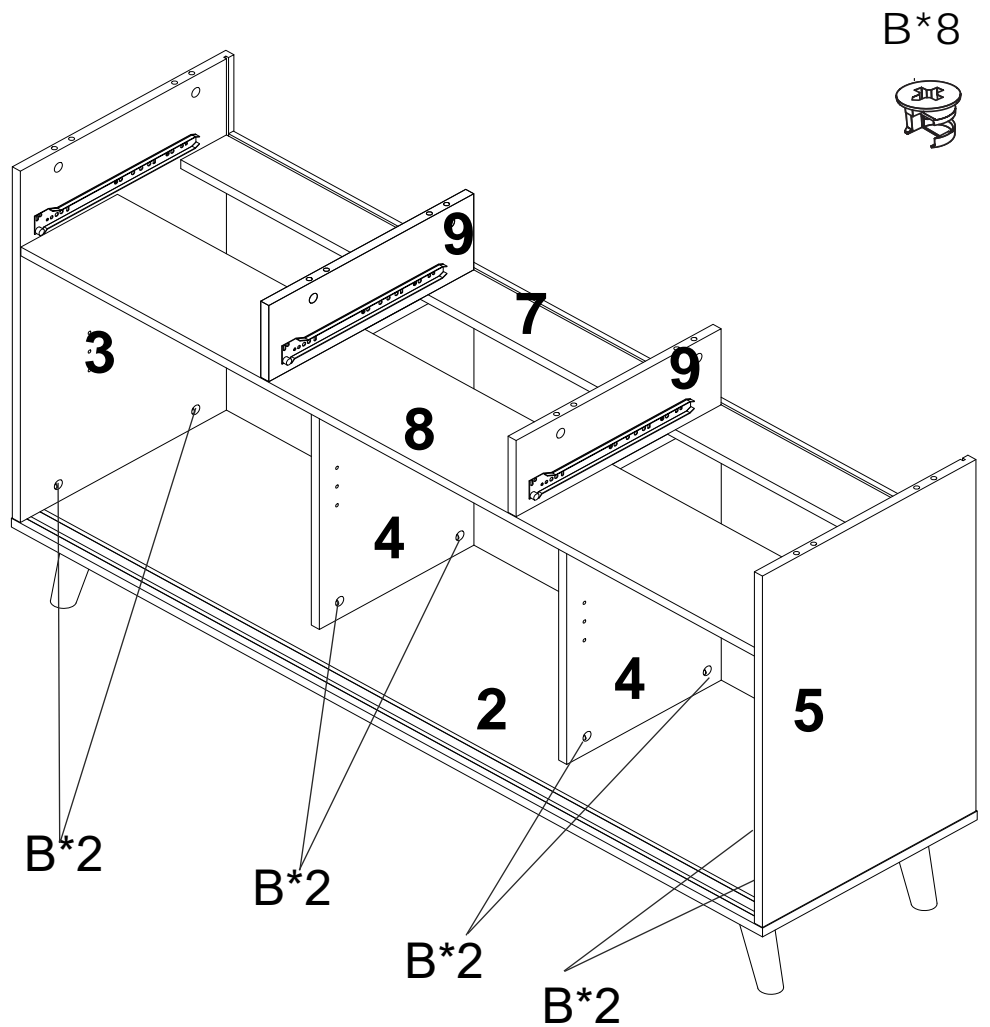
B\*4



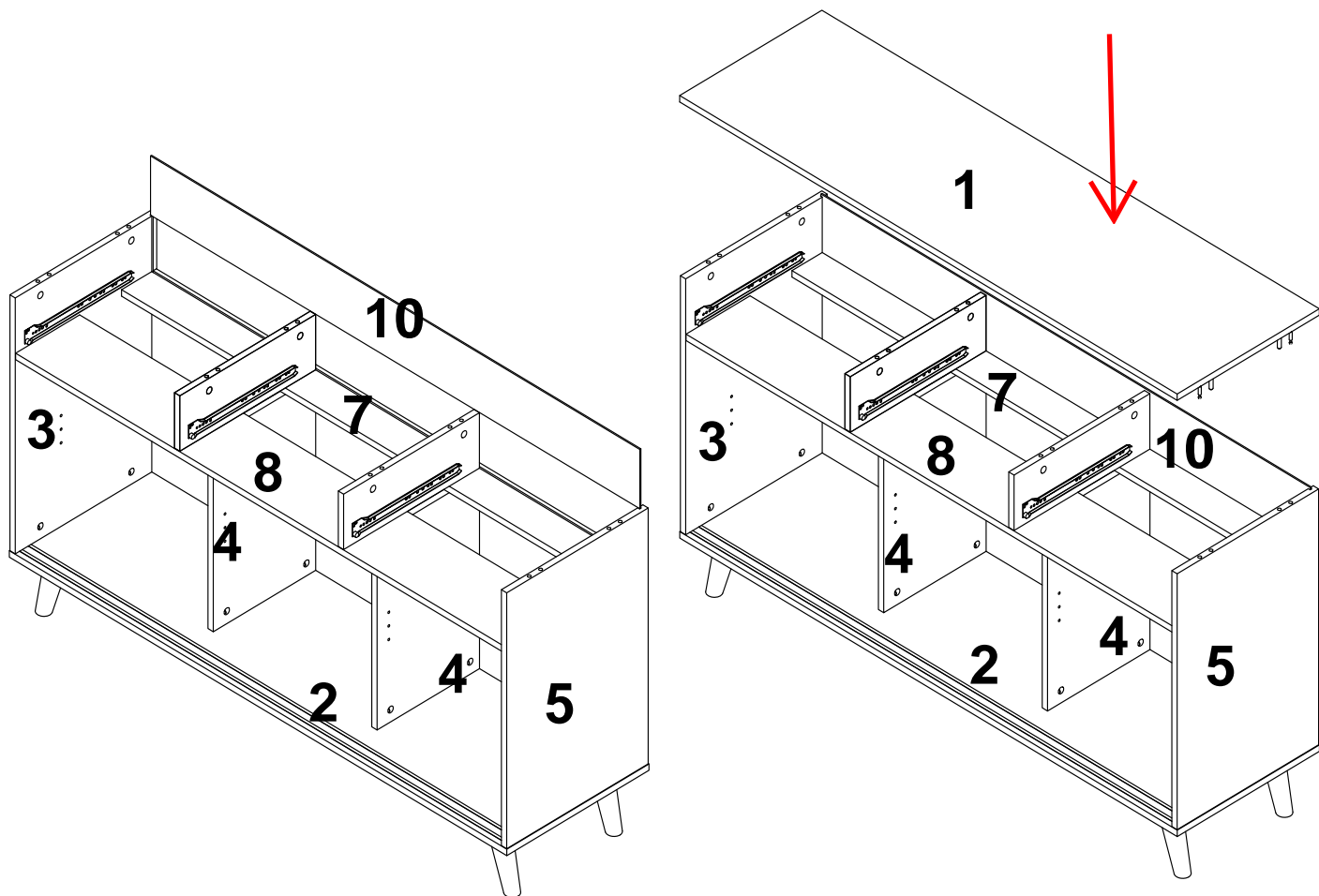
# Step 9



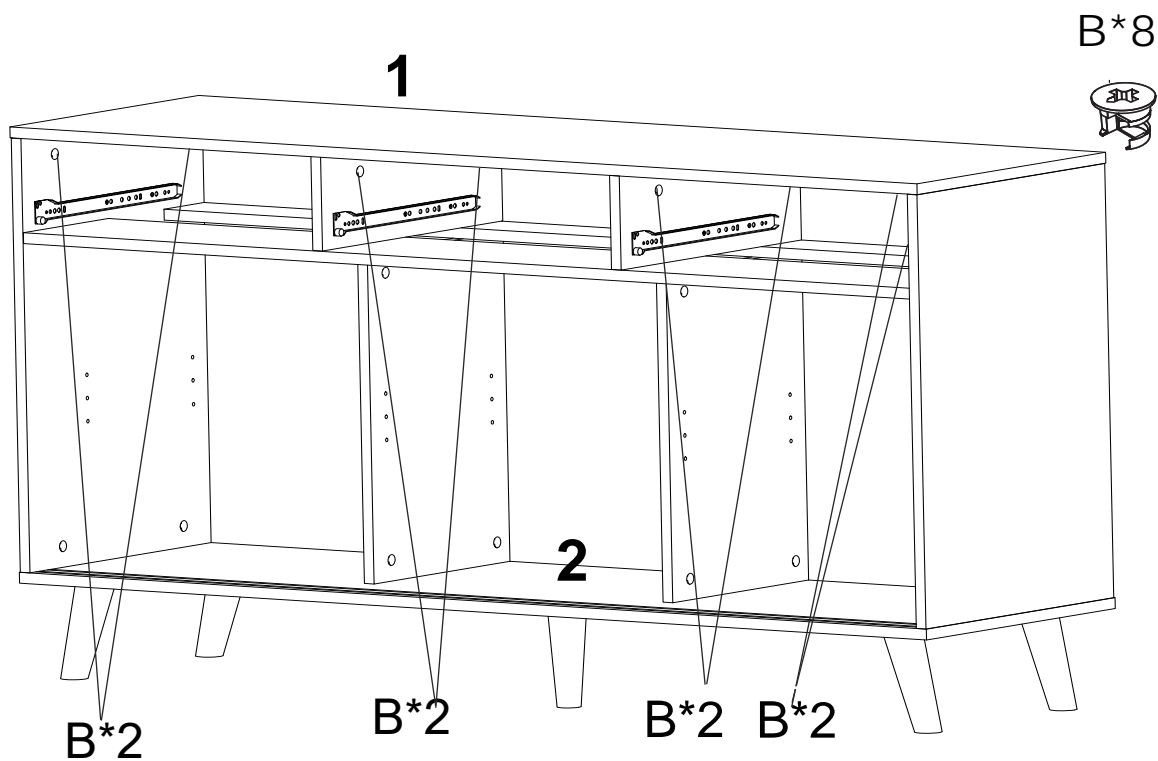
# Step 10



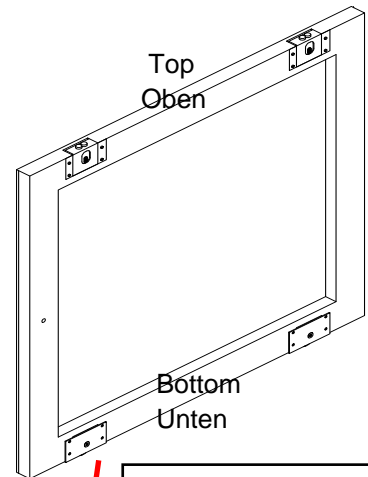
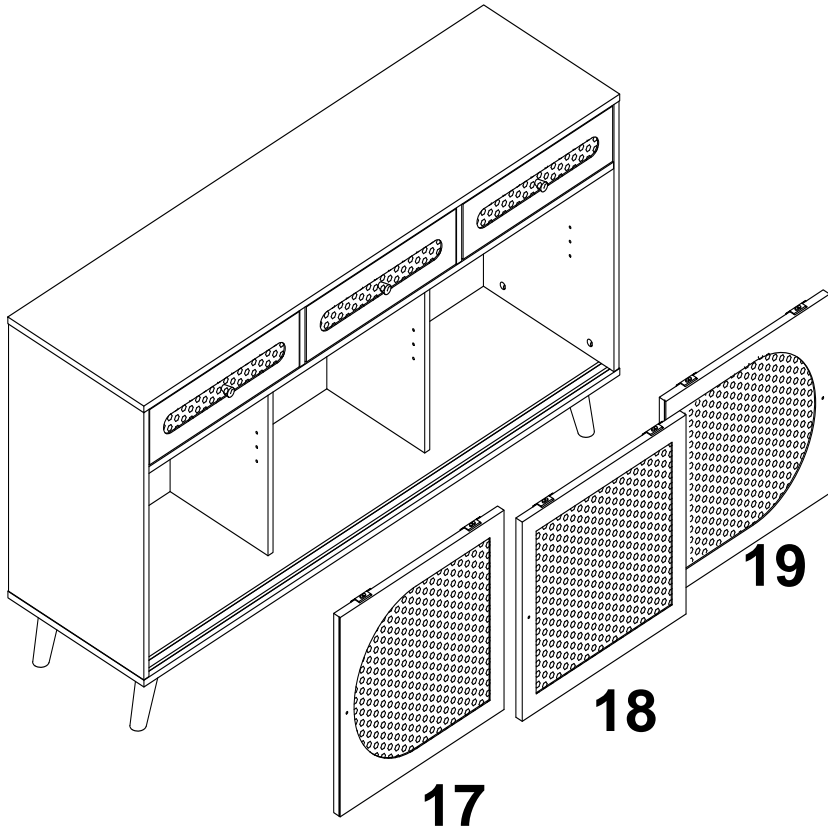
# Step 11



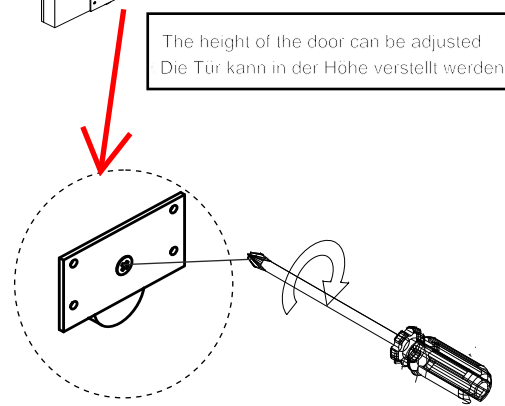
# Step 12



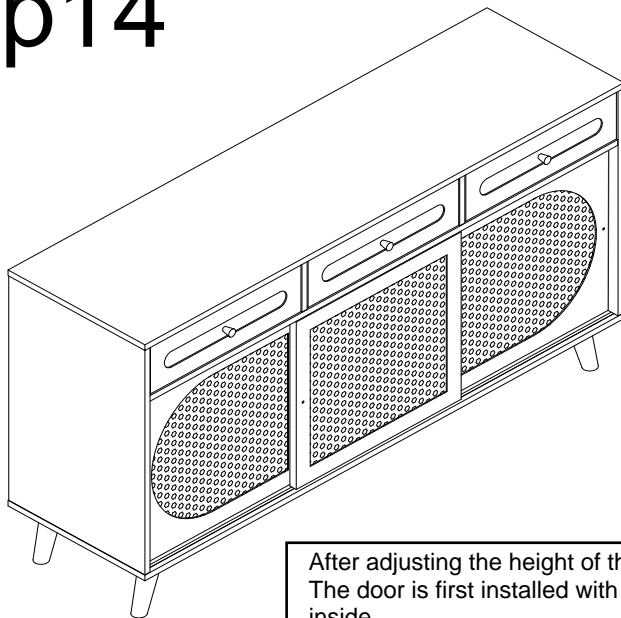
# Step 13



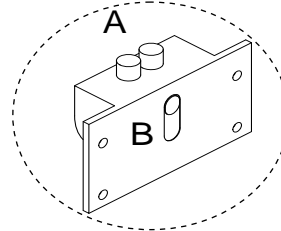
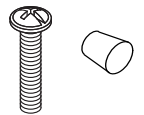
The height of the door can be adjusted  
Die Tür kann in der Höhe verstellt werden



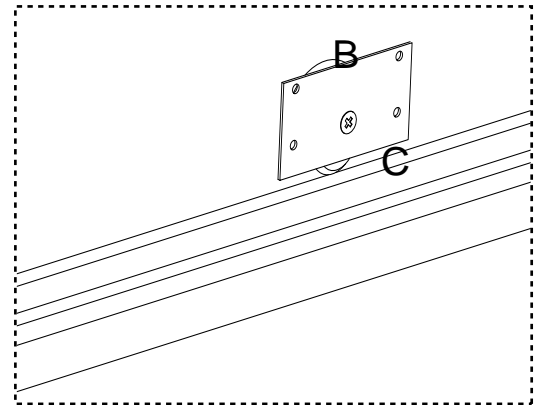
# Step 14



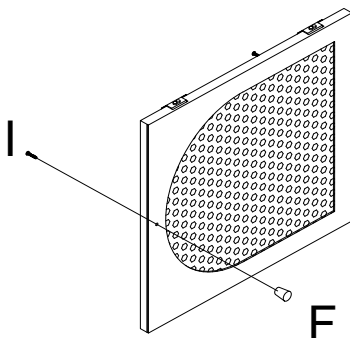
1\*3 F\*3



Press A and put B into C and push D up (Drücke A und setze B in C und drücke D nach oben)



After adjusting the height of the rattan door  
The door is first installed with a rattan door  
inside,  
then on the outside, and finally with a handle  
(Nach dem Einstellen der Höhe der  
Rattantür  
Die Tür wird zunächst mit einer Rattantür  
im Inneren installiert.  
dann außen und schließlich mit einem  
Griff)



17/18/19