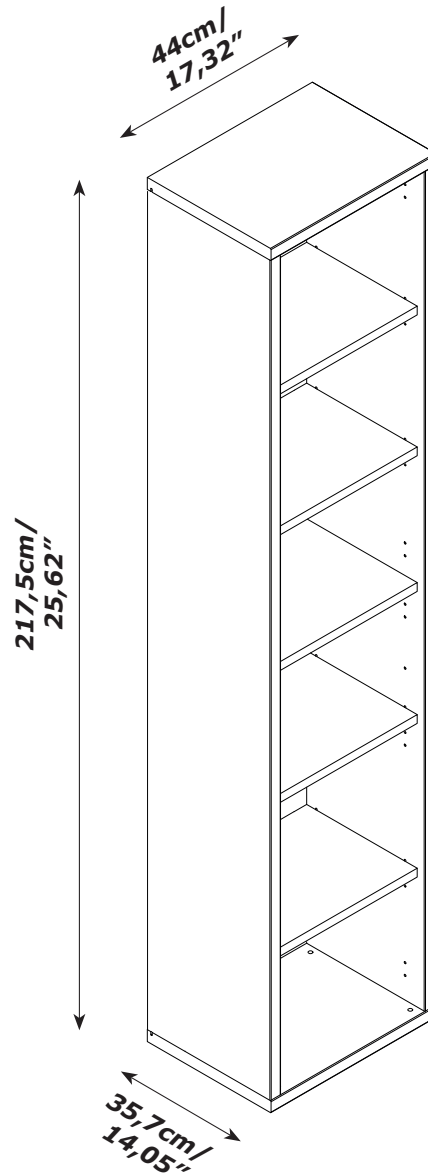
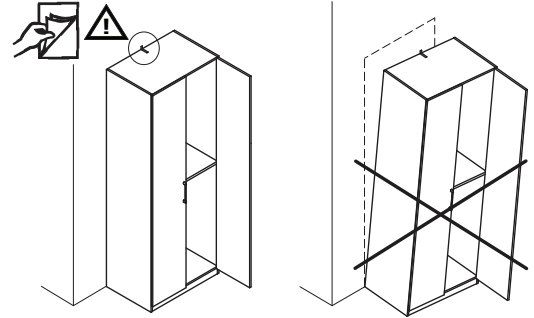
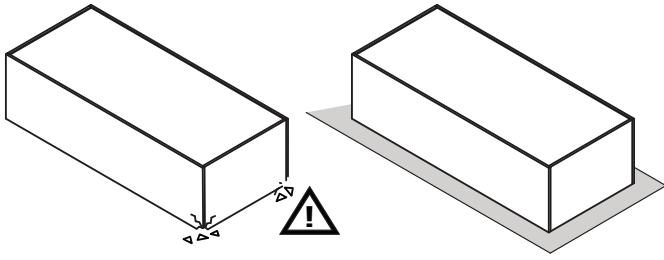
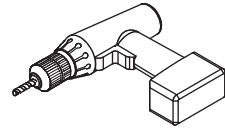
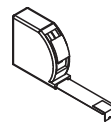
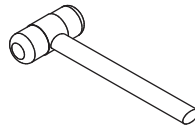
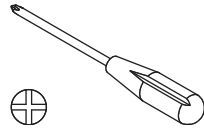
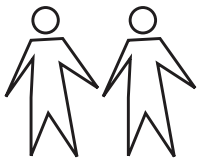


LB4802



QF5959



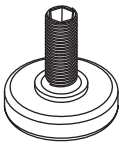
IT IS RECOMMENDED THAT THE ANTI-TIP KIT INCLUDED WITH THIS PRODUCT BE INSTALLED FOR ADDED SAFETY AND STABILITY.

IT IS ESSENTIAL TO USE WALL ANCHORS APPROPRIATE FOR YOUR WALL TYPE (I.E. PLASTER, DRY-WALL, CONCRETE, ETC.), ALONG WITH APPROPRIATE SCREWS, FOR PROPER MOUNTING.

THE SCREWS INCLUDED IN THIS ANTI-TIP KIT MAY NOT BE SUITED FOR ALL WALL TYPES. MOUNTING TO WOOD STUDS IS RECOMMENDED.

CONSULT A QUALIFIED PROFESSIONAL OR YOUR LOCAL HARDWARE STORE FOR APPROPRIATE MOUNTING HARDWARE SUITED FOR YOUR SPECIFIC WALL MEDIUM.

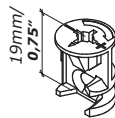
BU4885



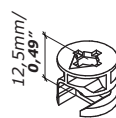
P25
x4



H118
x4



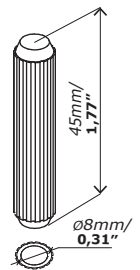
T97
x4



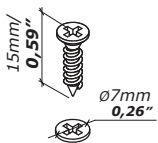
T7
x4



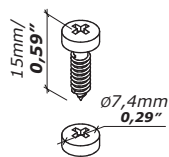
T28
x8



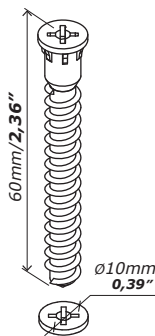
H325
x12



V5
x20



V81
x2



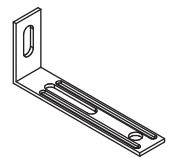
V57
x4



R40
x16



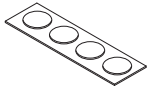
H2
x20



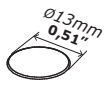
H185
x1



H129
x2



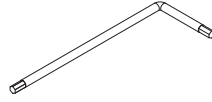
G171
x22



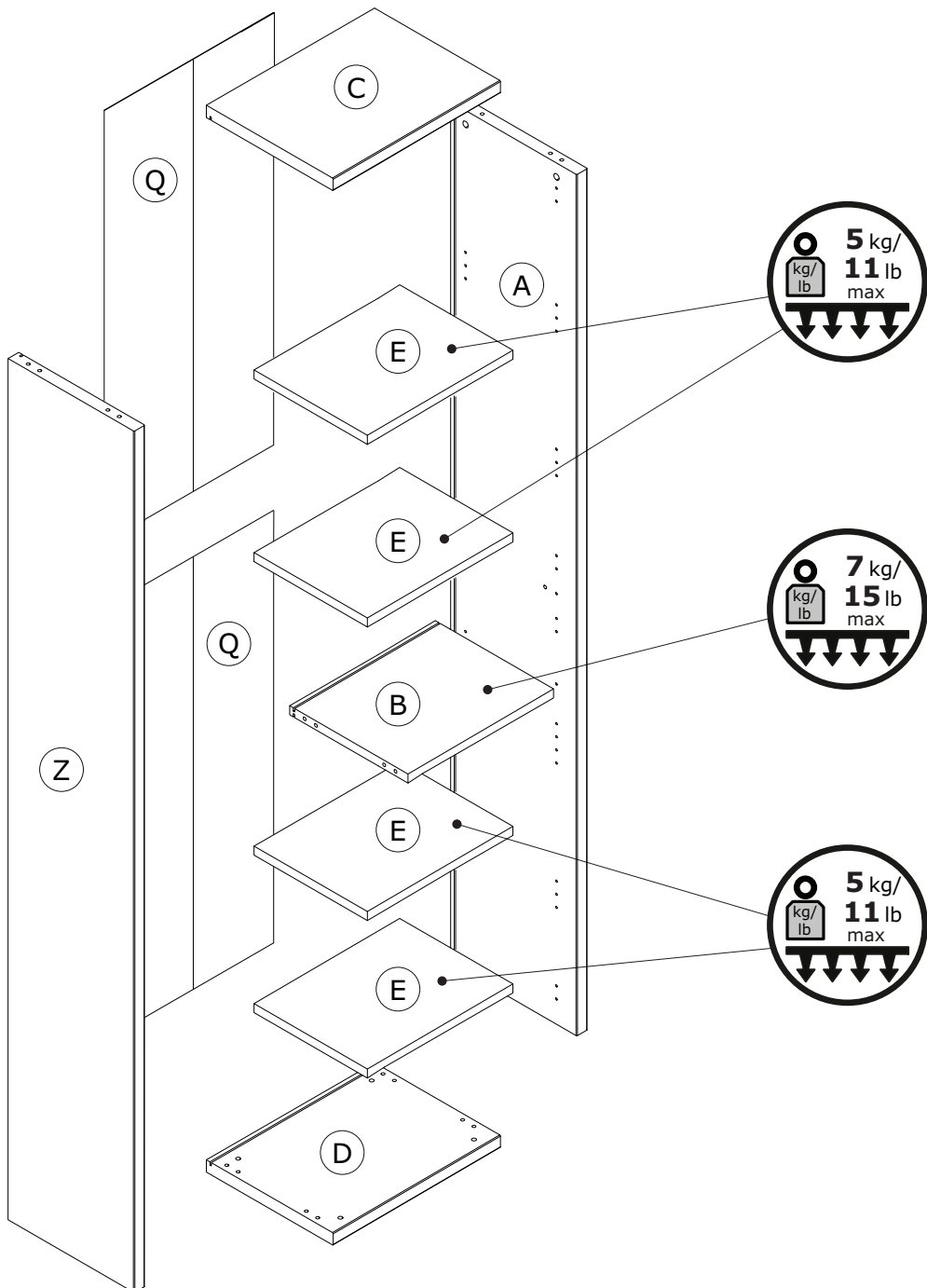
G198
x4

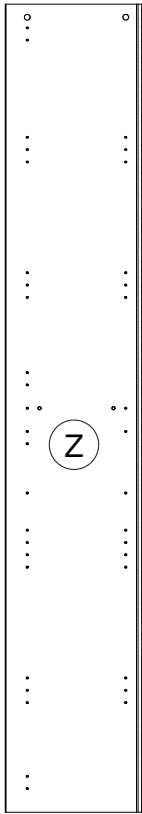


G199
x4

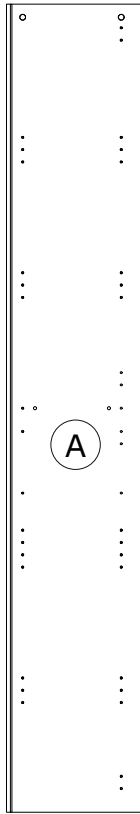


H138
x1

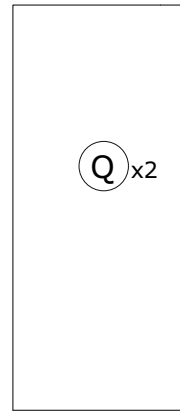




FI9452
2100x355x30mm/
82,67"x13,97"x1,18"

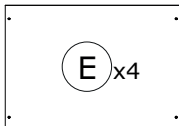


FI9451
2100x355x30mm/
82,67"x13,97"x1,18"

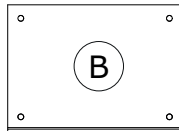


SH3850
1053x392x2mm/
41,45"x15,43"x0,08"

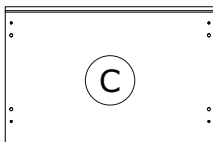
BOX 1/2



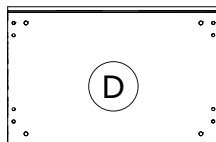
PI7646
379x319x22mm/
14,92"x12,56"x0,86"



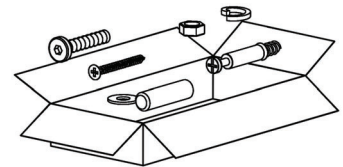
PI7644
379x333x22mm/
14,92"x13,11"x0,86"



CA3965
440x357x30mm/
17,32"x14,05"x1,18"

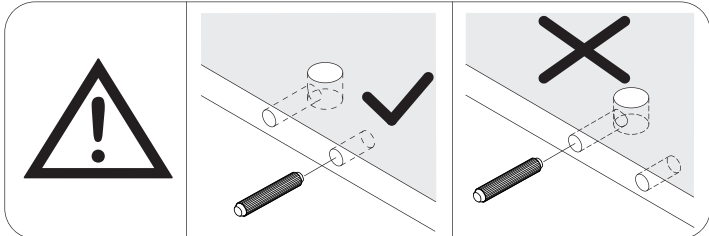
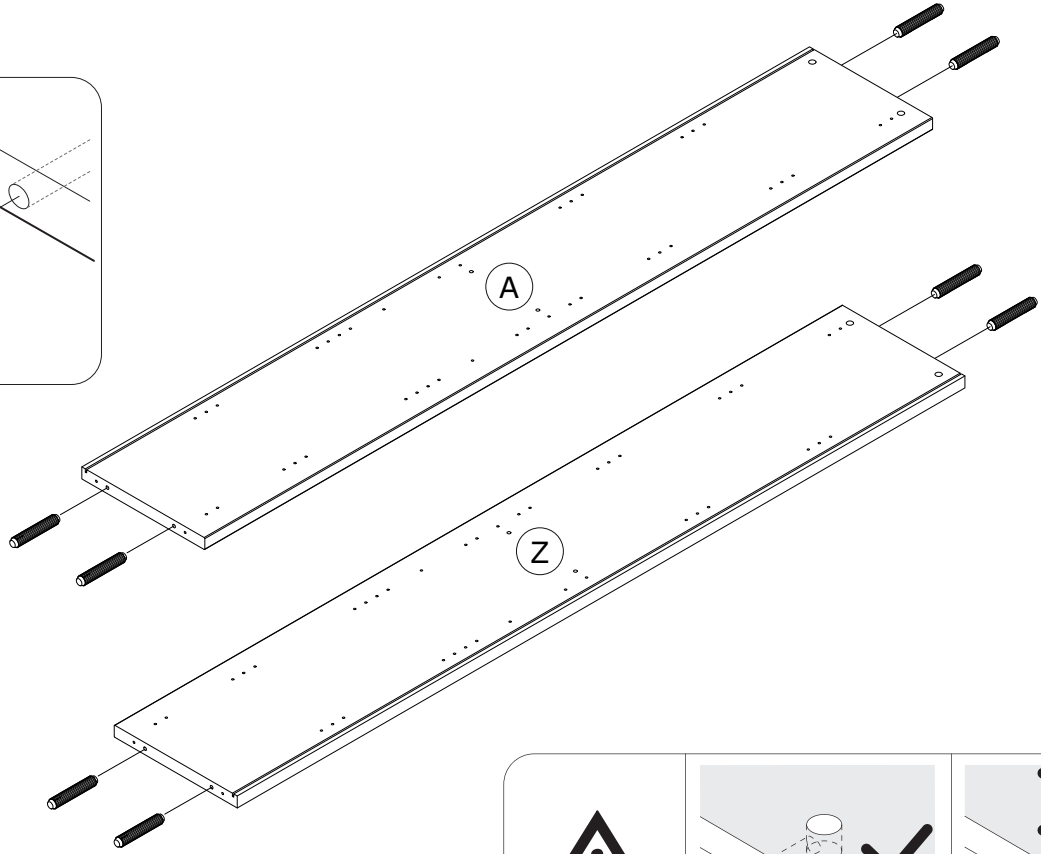
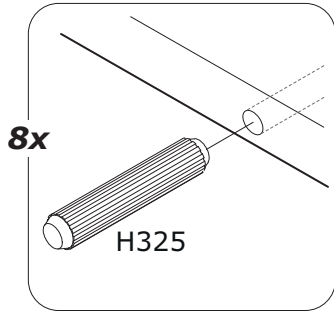


BA2430
440x357x30mm/
17,32"x14,05"x1,18"

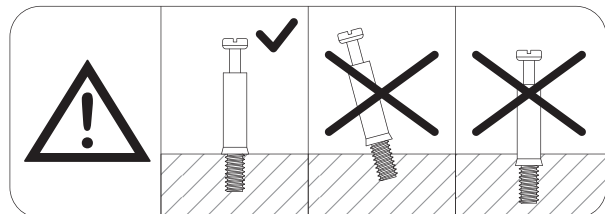
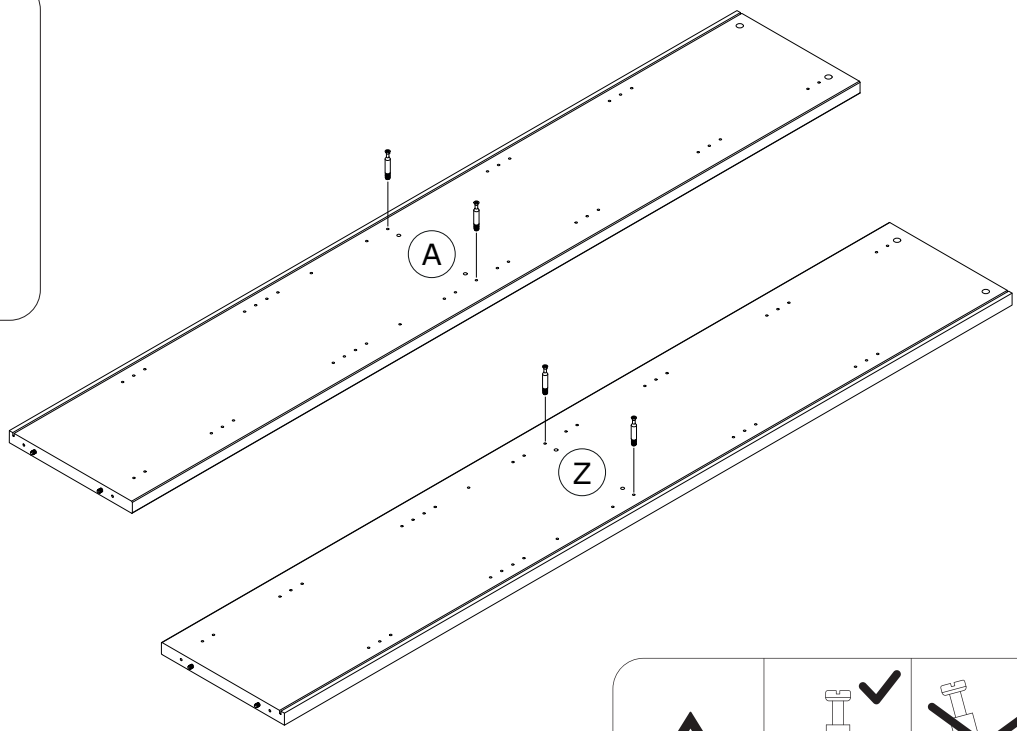
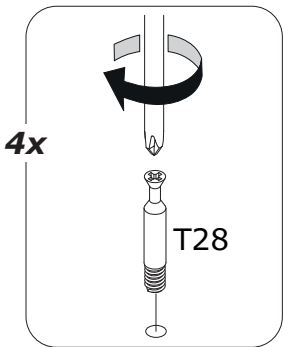


BOX 2/2

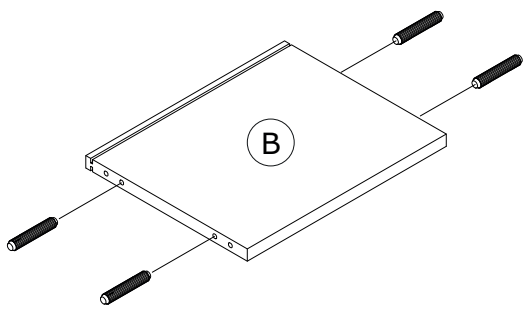
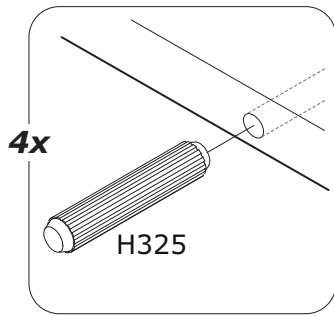
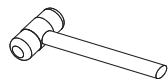
1



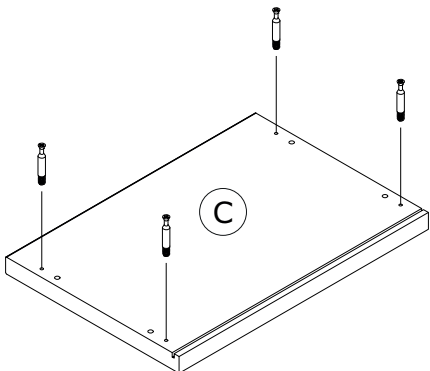
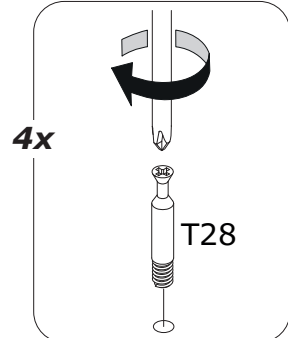
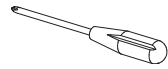
2



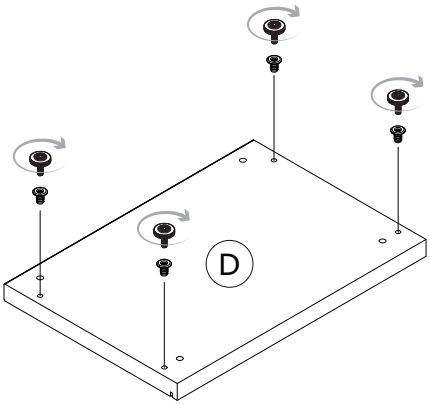
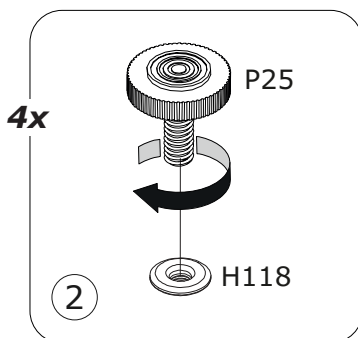
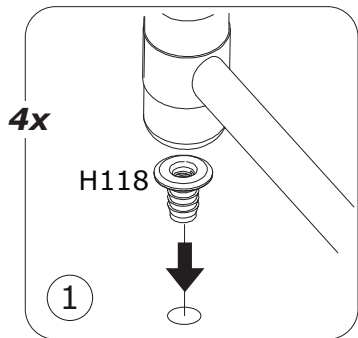
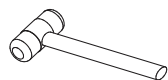
3



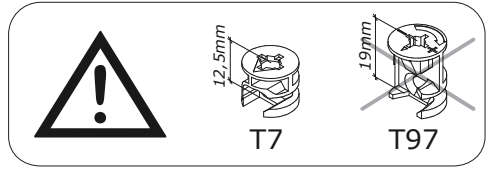
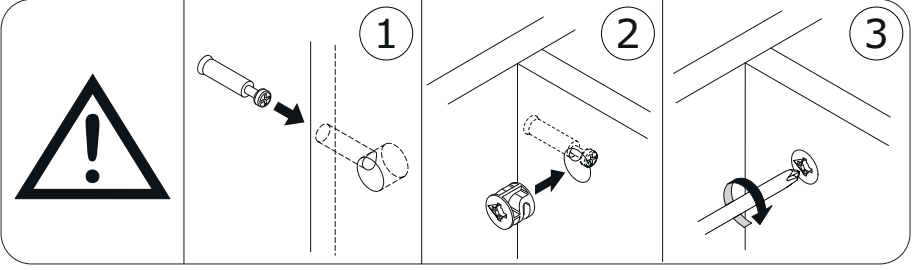
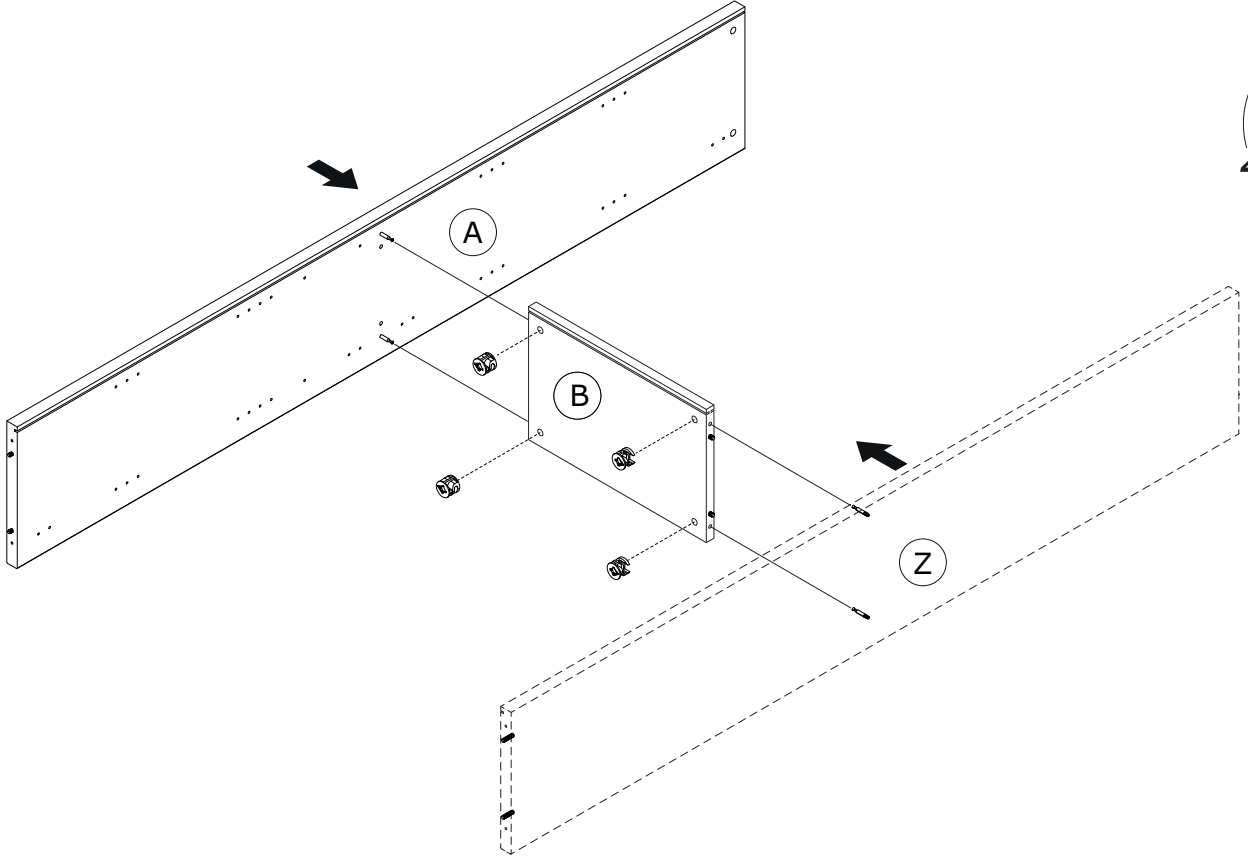
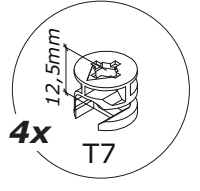
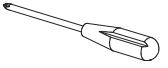
4



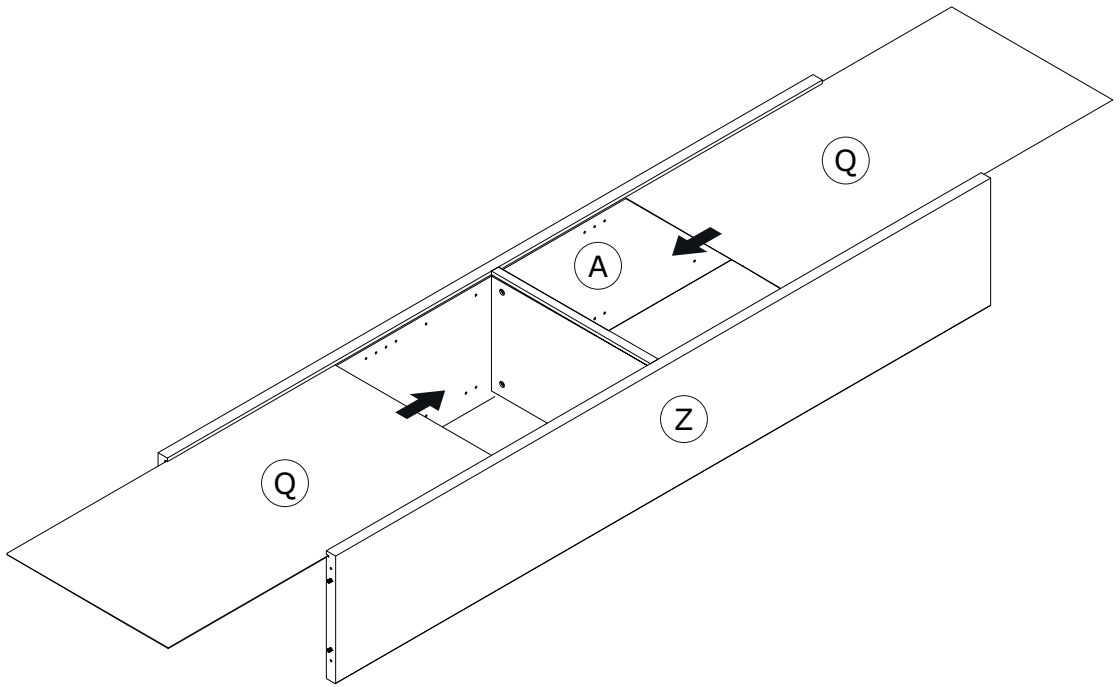
5



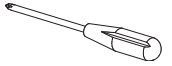
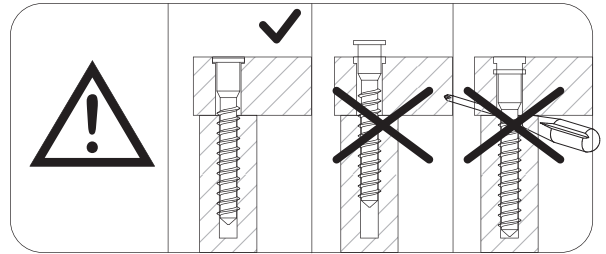
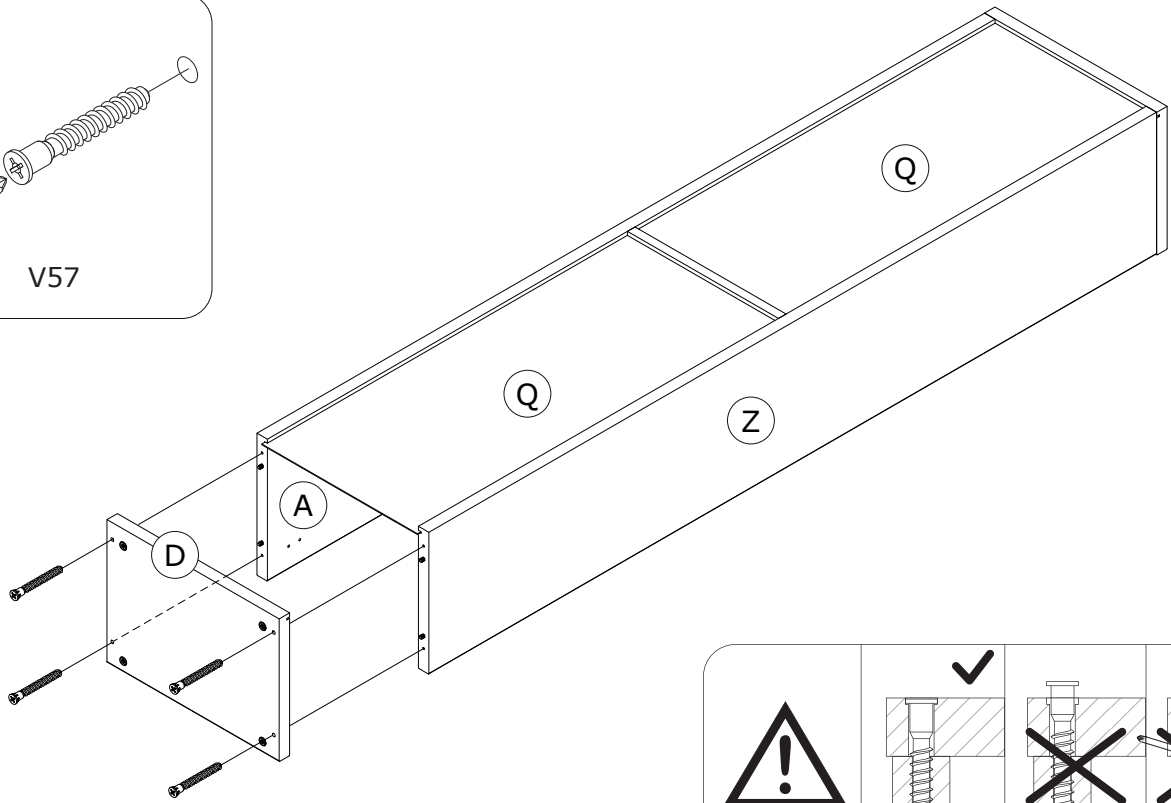
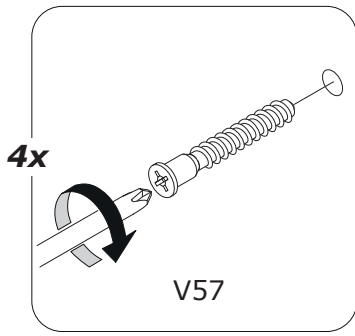
6



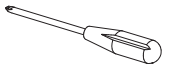
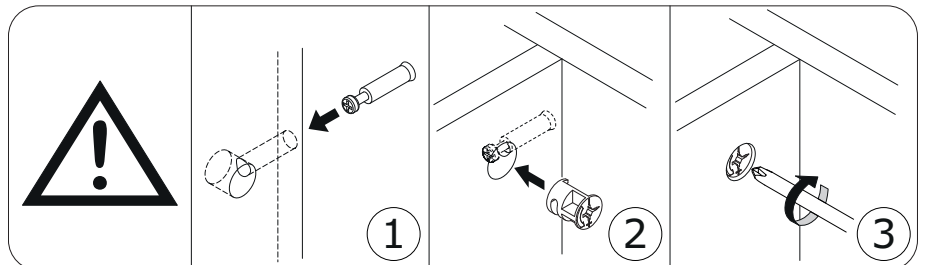
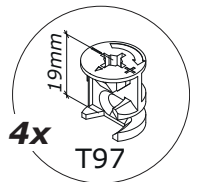
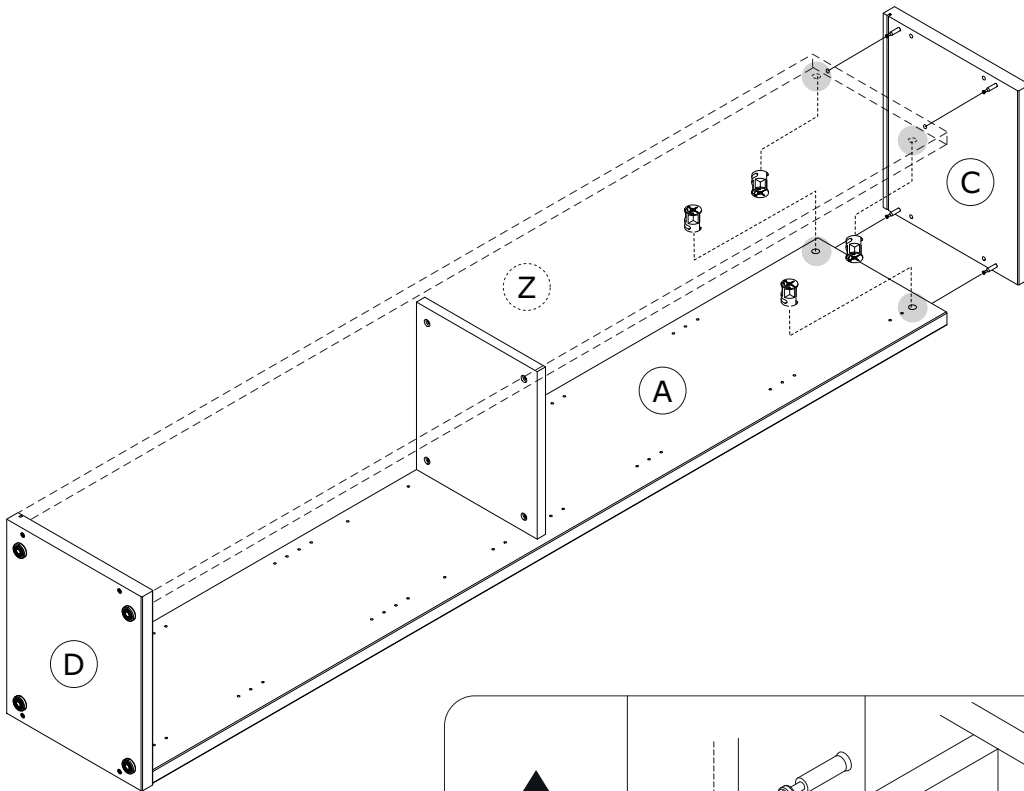
7

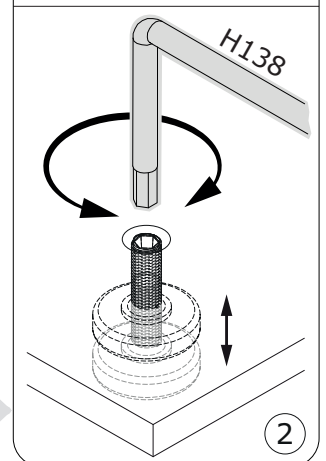
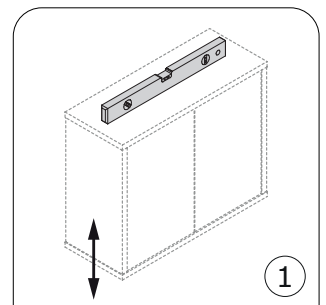
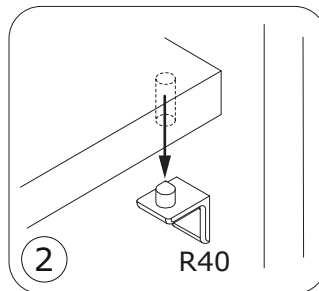
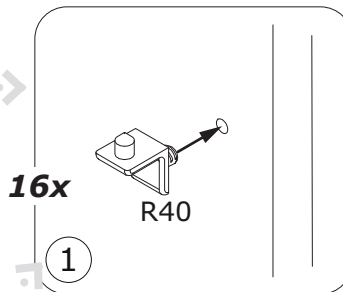
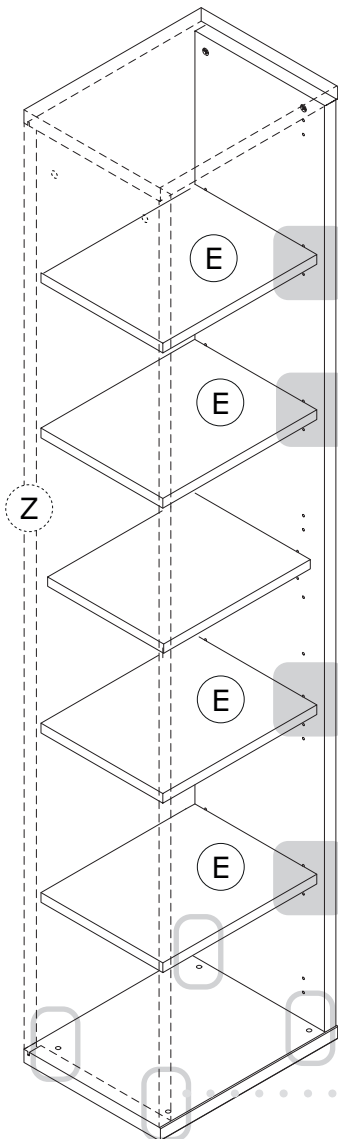
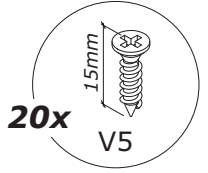
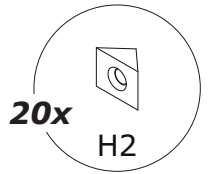
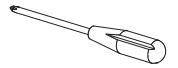
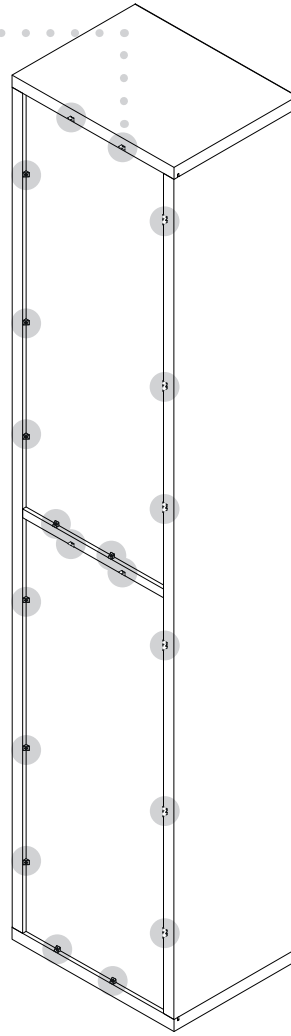
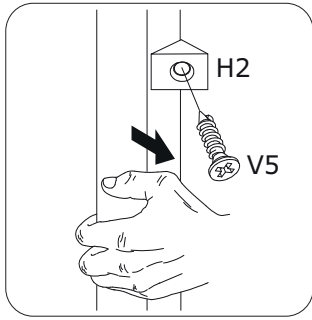
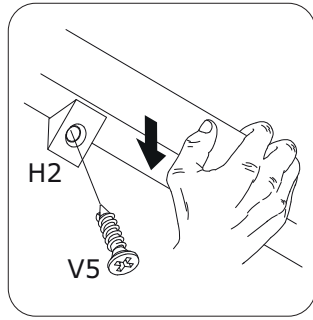


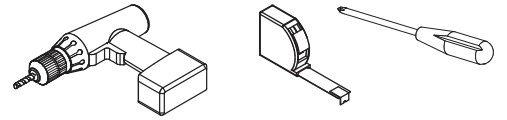
8



9







IT IS RECOMMENDED THAT THE ANTI-TIP KIT INCLUDED WITH THIS PRODUCT BE INSTALLED FOR ADDED SAFETY AND STABILITY.
 IT IS ESSENTIAL TO USE WALL ANCHORS APPROPRIATE FOR YOUR WALL TYPE (I.E. PLASTER, DRY-WALL, CONCRETE, ETC.), ALONG WITH APPROPRIATE SCREWS, FOR PROPER MOUNTING.
 THE SCREWS INCLUDED IN THIS ANTI-TIP KIT MAY NOT BE SUITED FOR ALL WALL TYPES.
 MOUNTING TO WOOD STUDS IS RECOMMENDED.
 CONSULT A QUALIFIED PROFESSIONAL OR YOUR LOCAL HARDWARE STORE FOR APPROPRIATE MOUNTING HARDWARE SUITED FOR YOUR SPECIFIC WALL MEDIUM.

