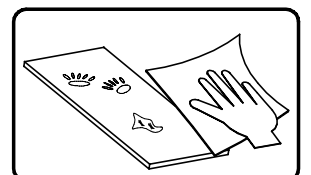
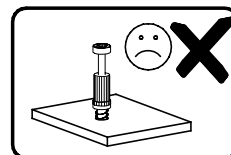
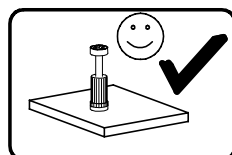
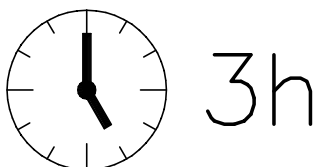
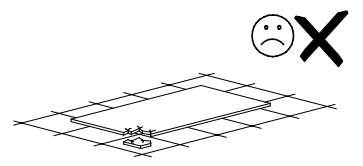
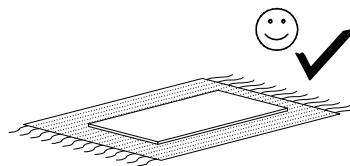
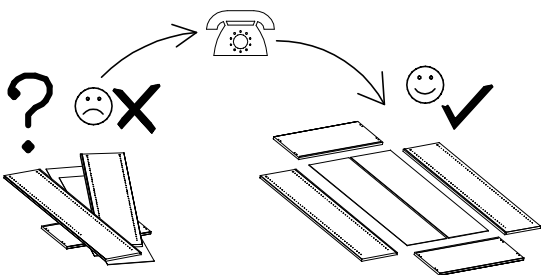
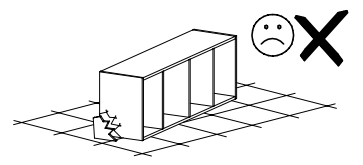
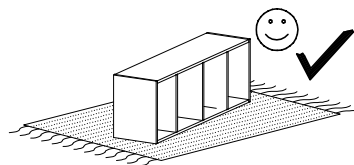
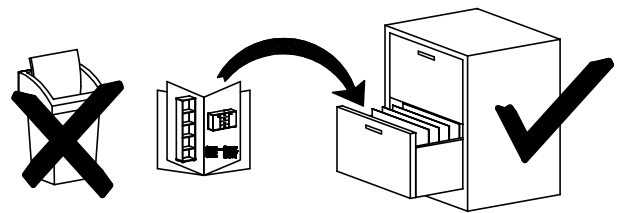
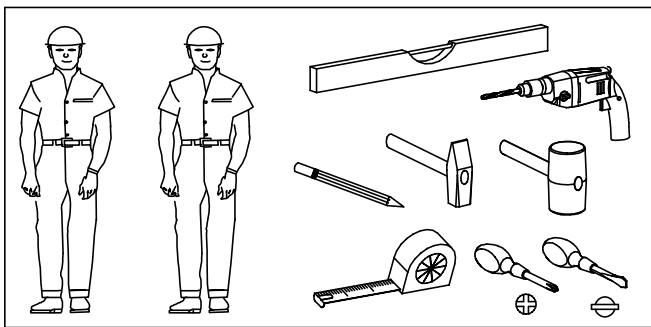
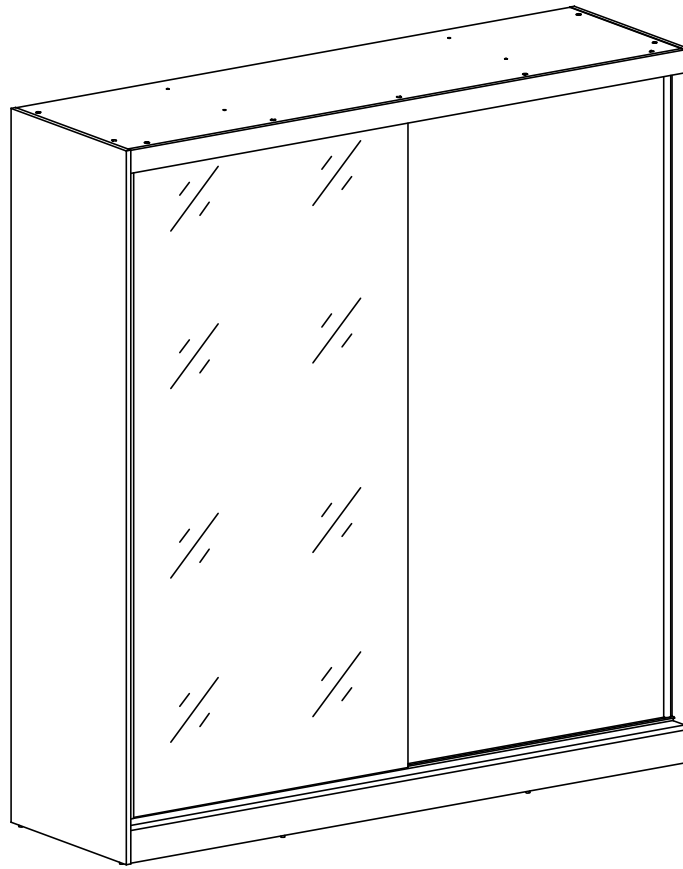
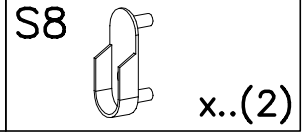
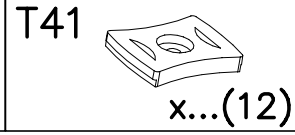
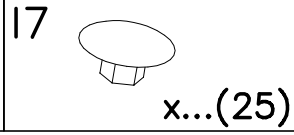
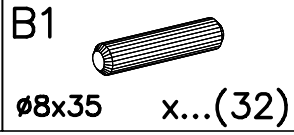
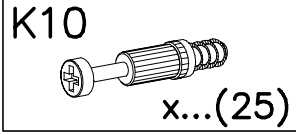
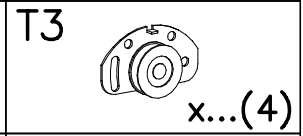
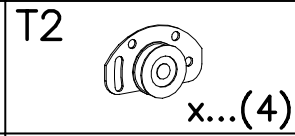
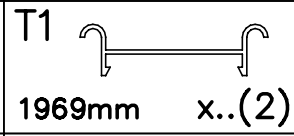
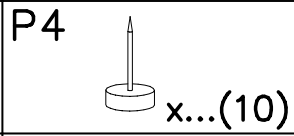
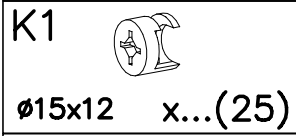
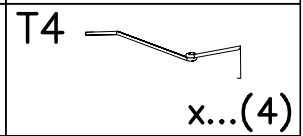
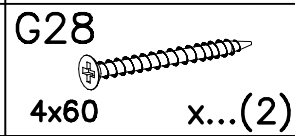
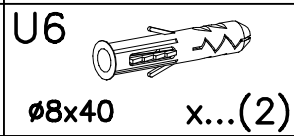
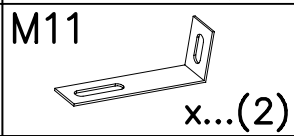
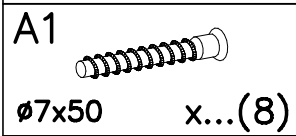
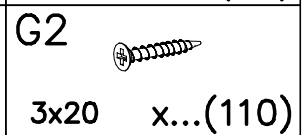
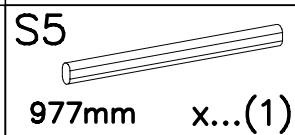
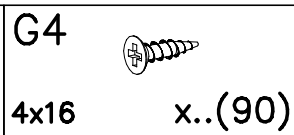
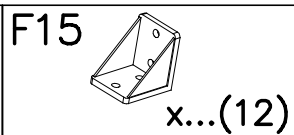
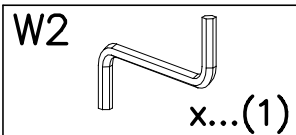
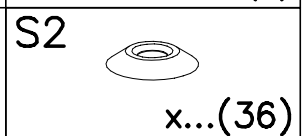
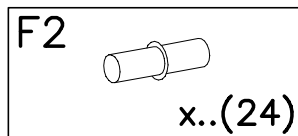
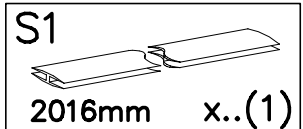
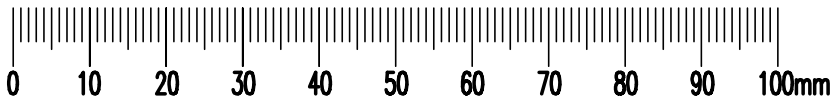
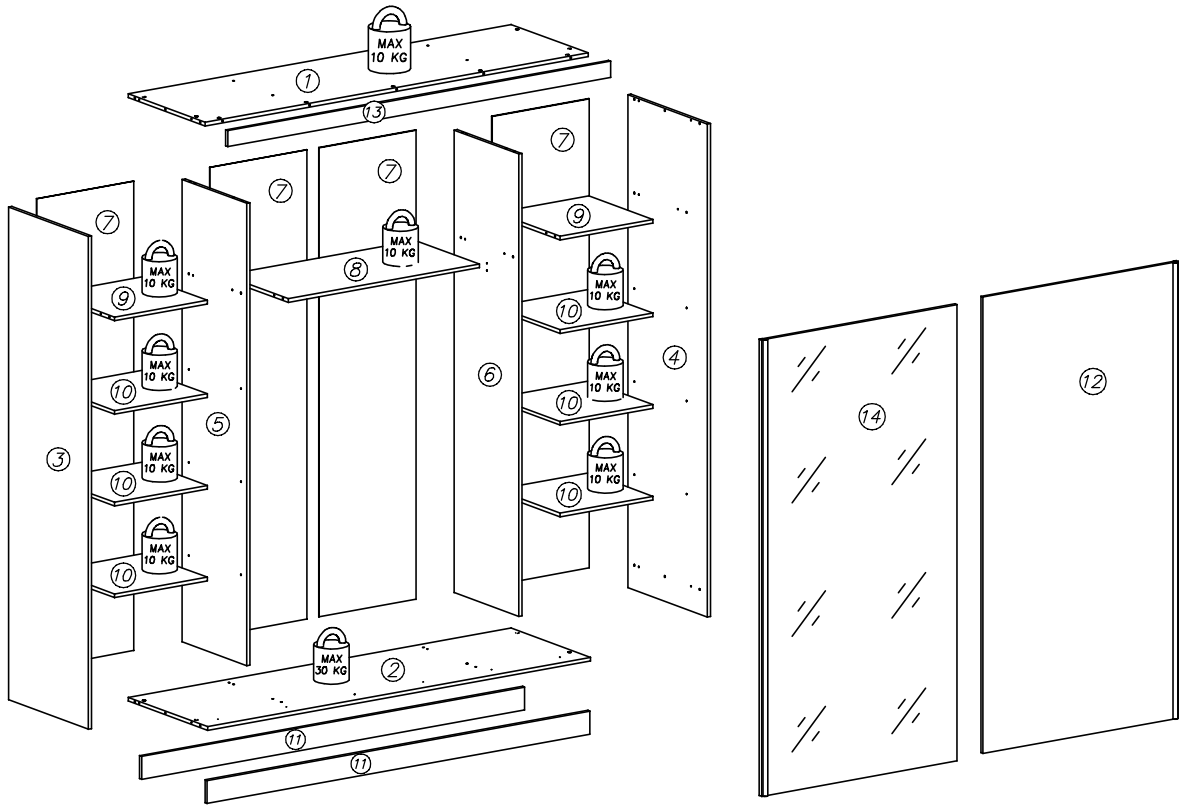
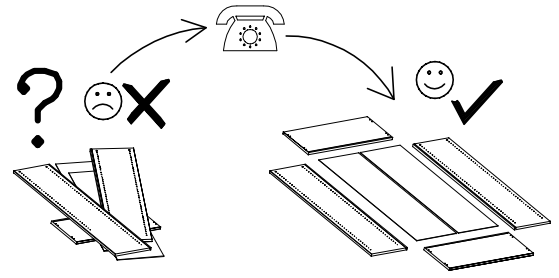
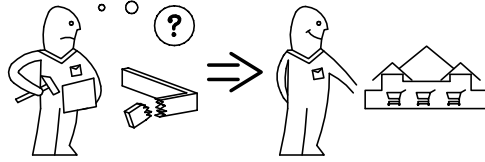
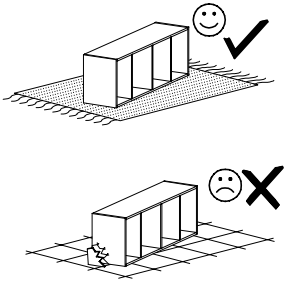
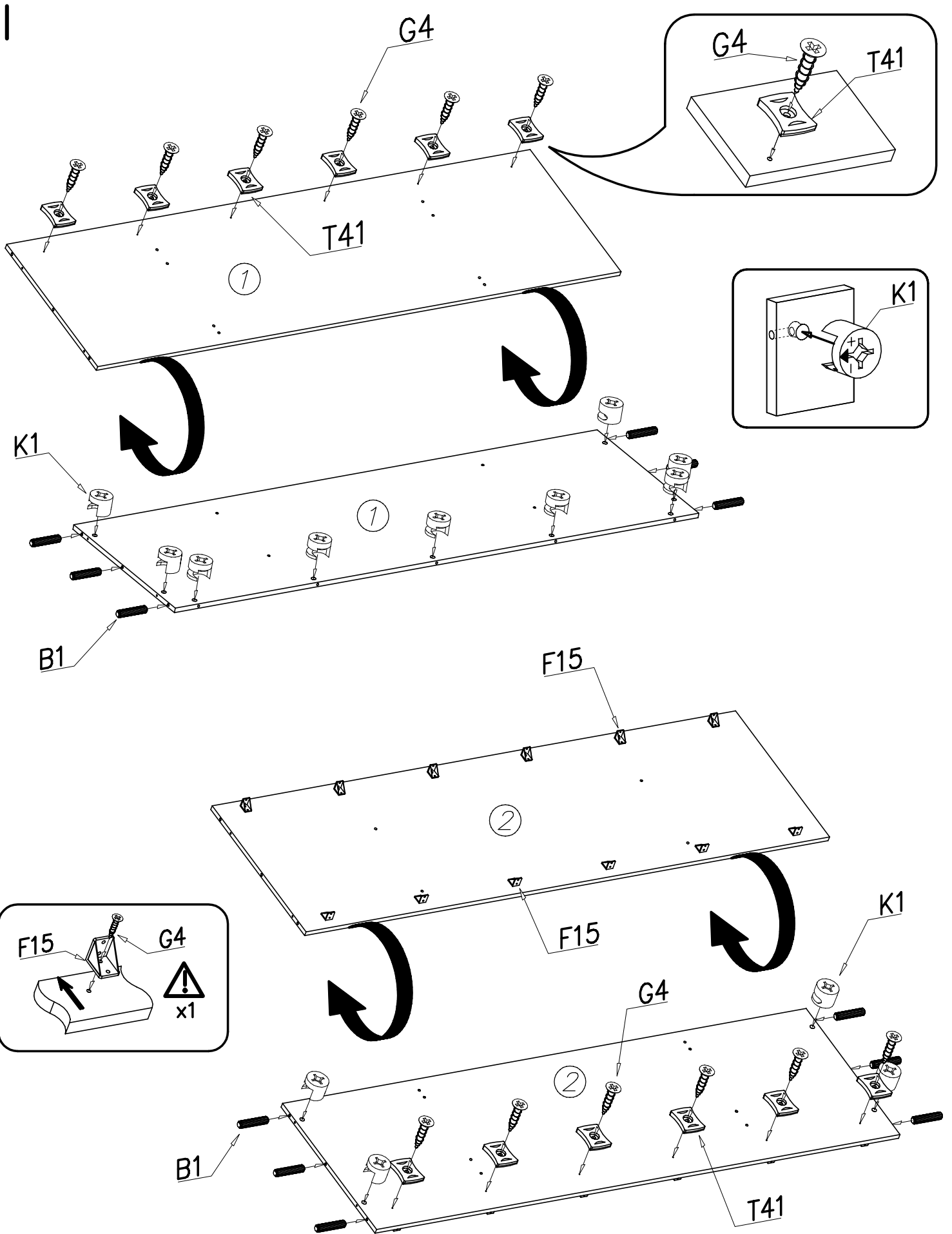
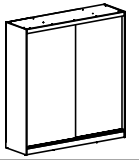
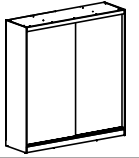


BASTER MIRROR 200

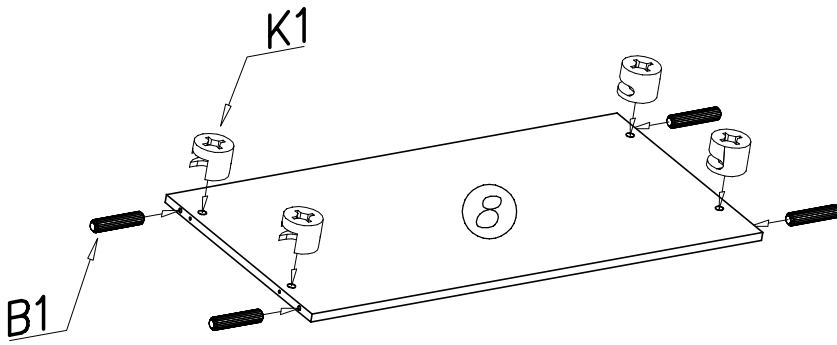




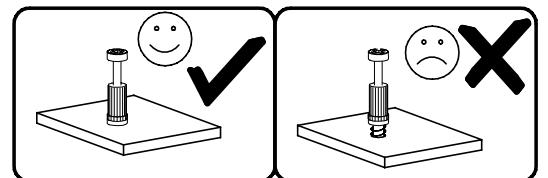
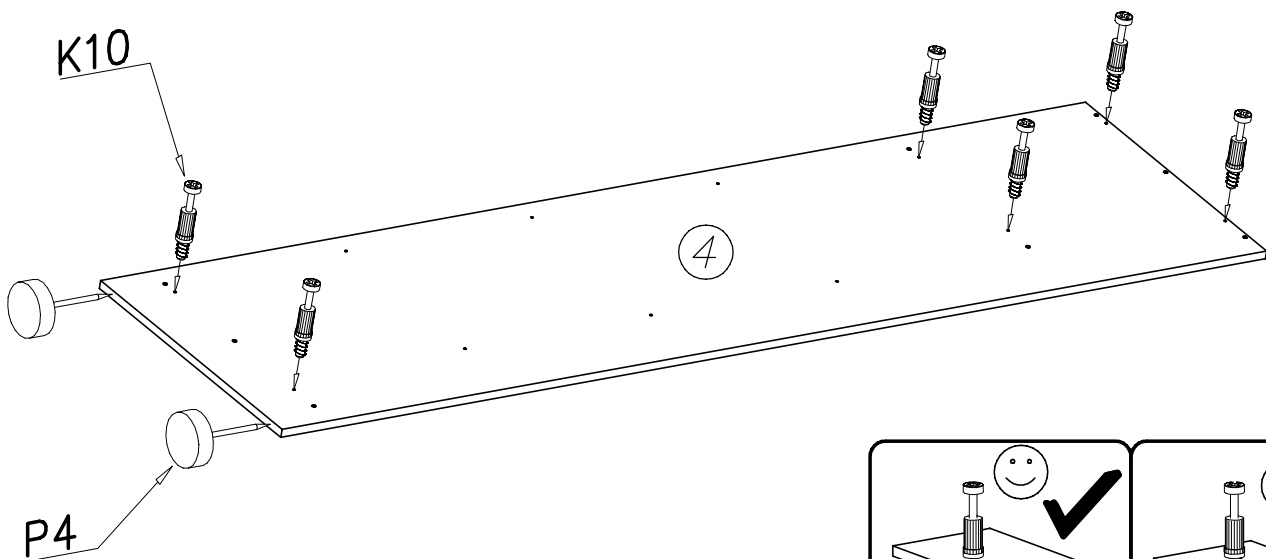
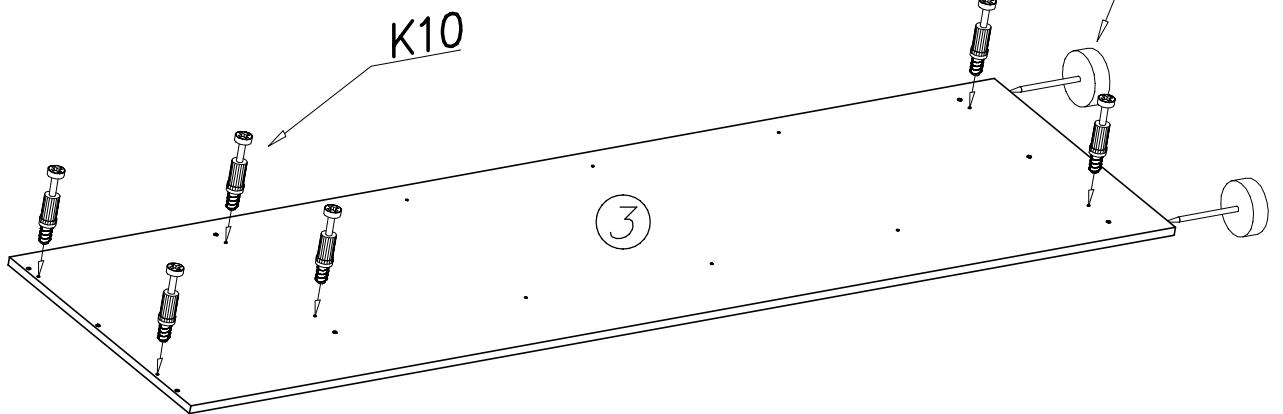
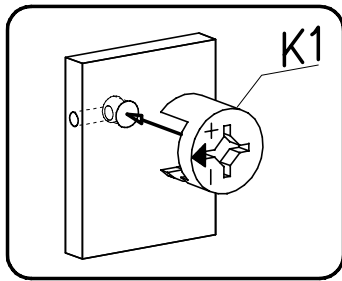
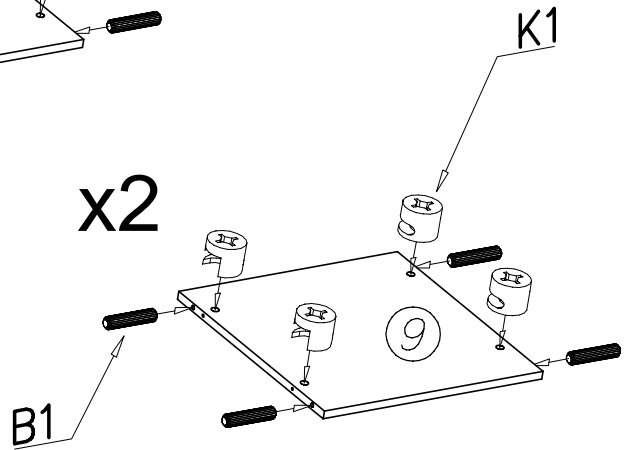


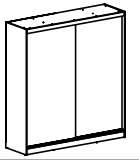


II

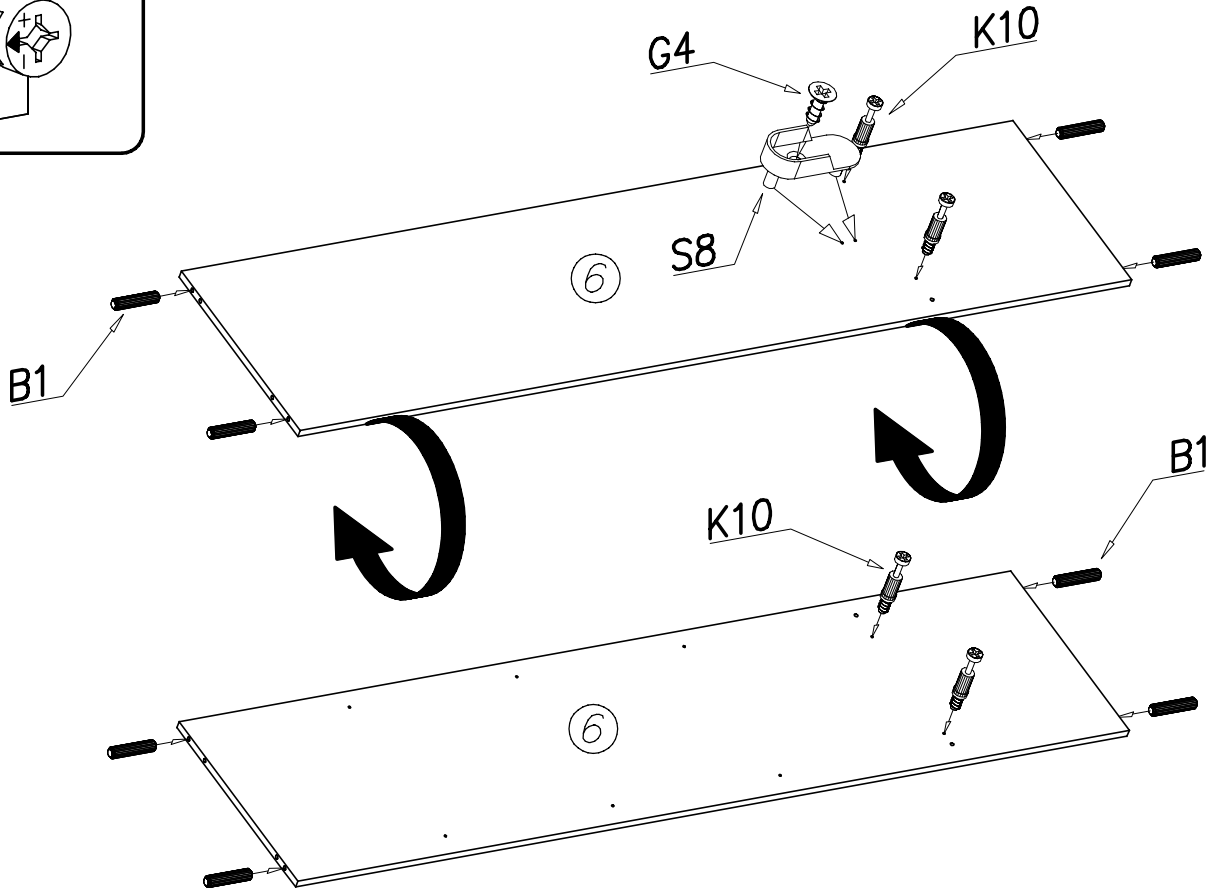
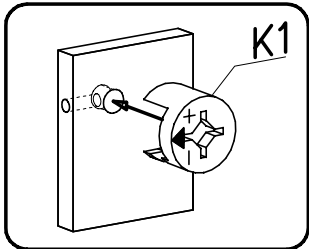
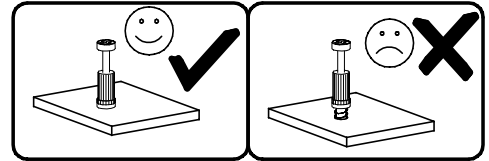
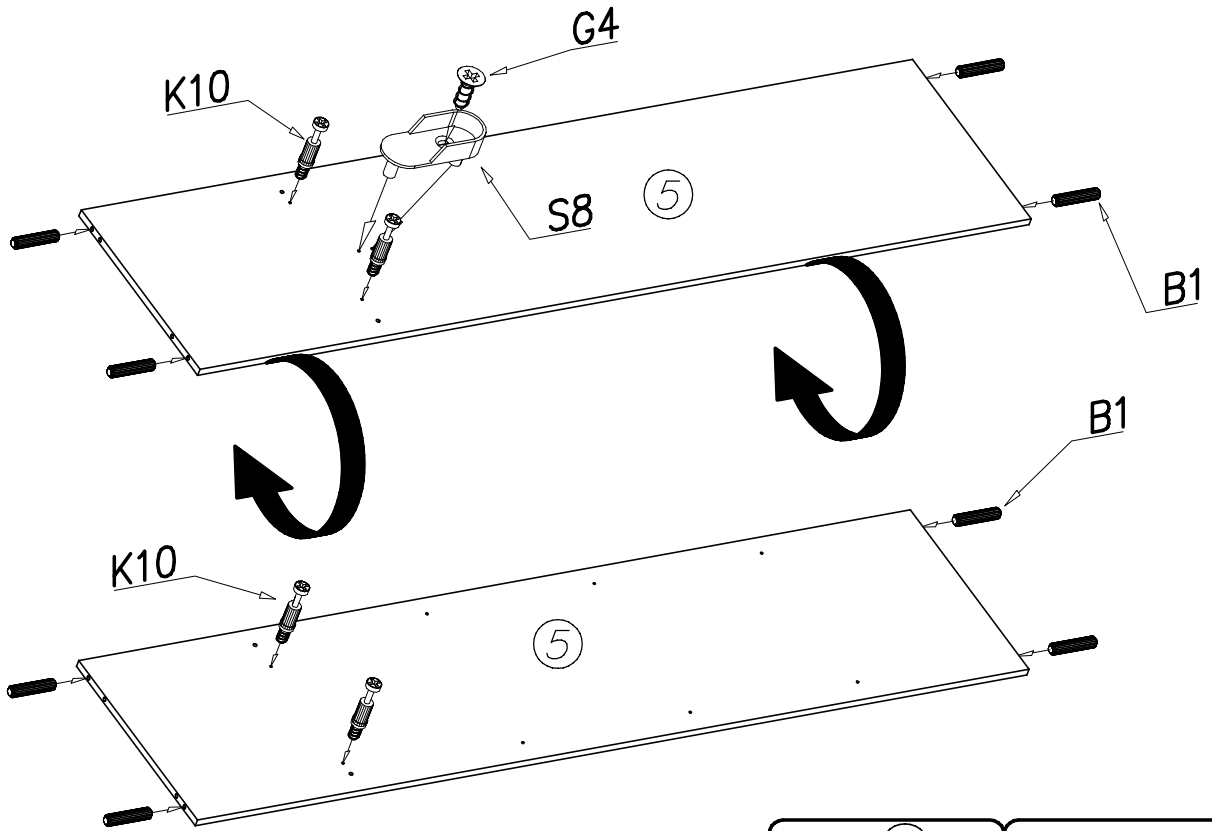


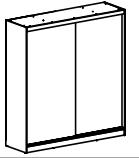
x2



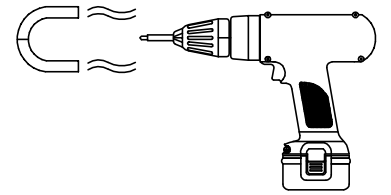
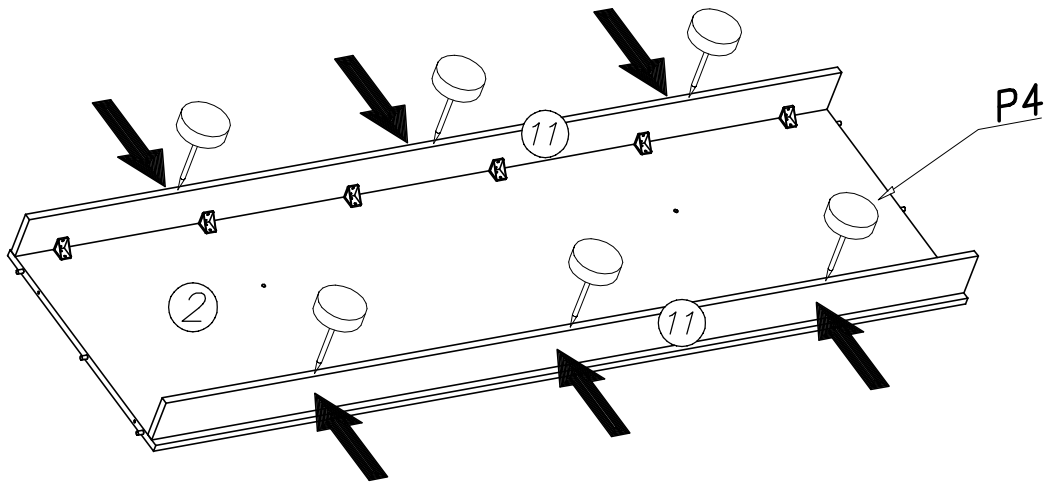


III

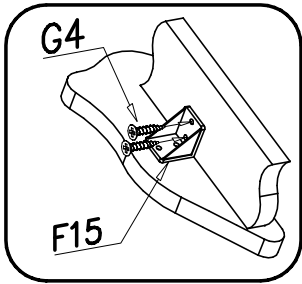




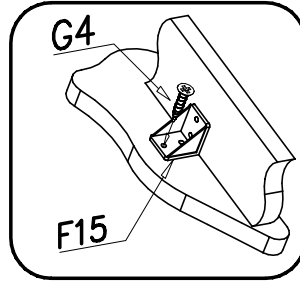
IV



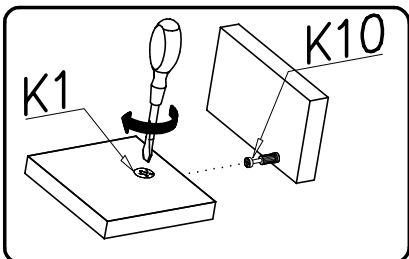
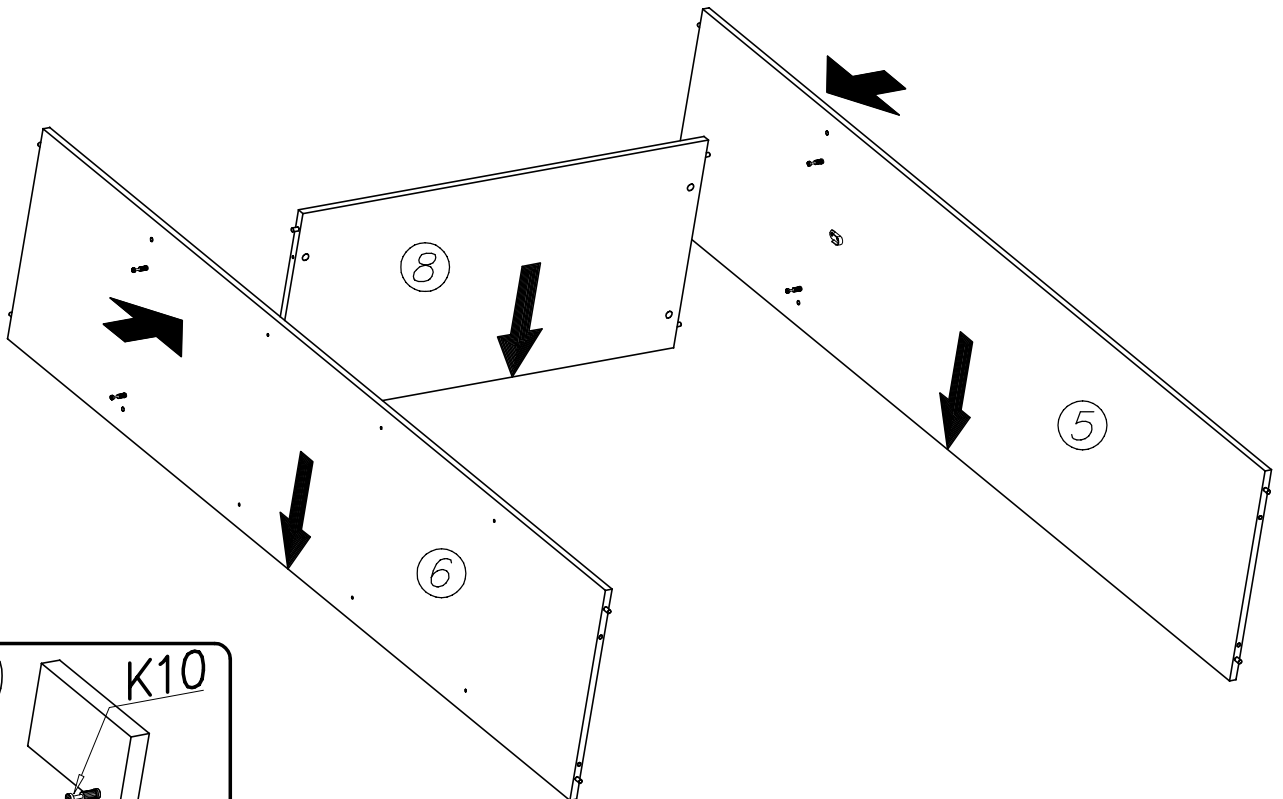
1.

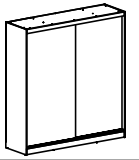


2.

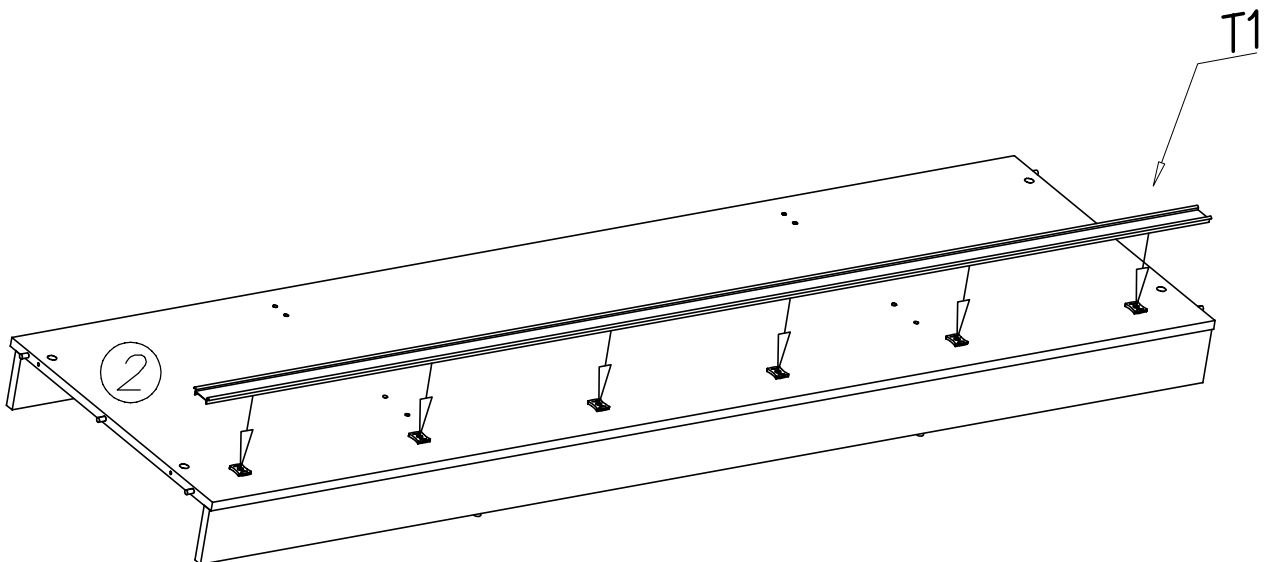
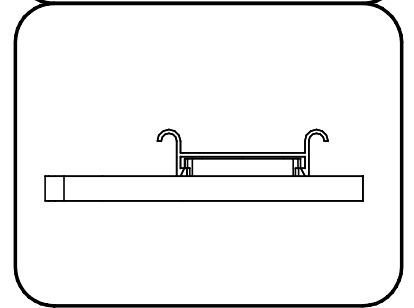
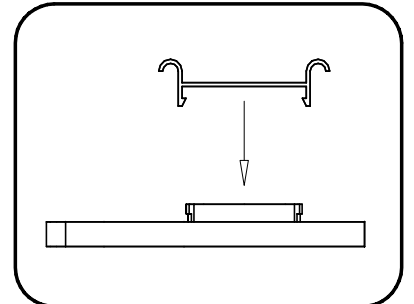
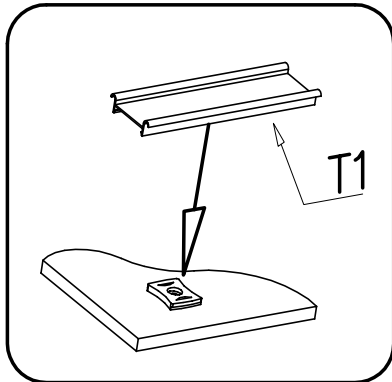
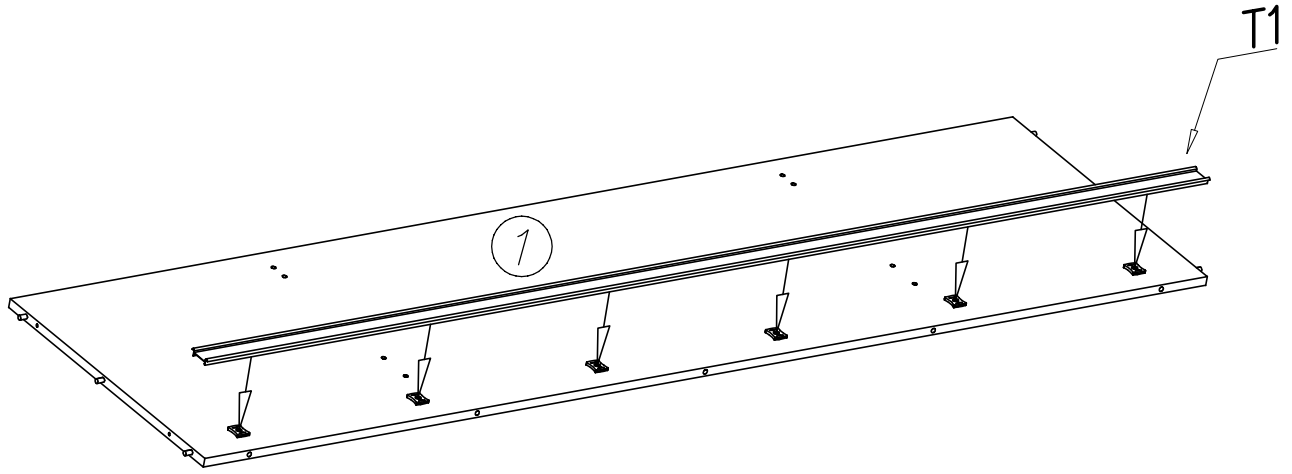


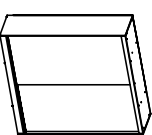
V



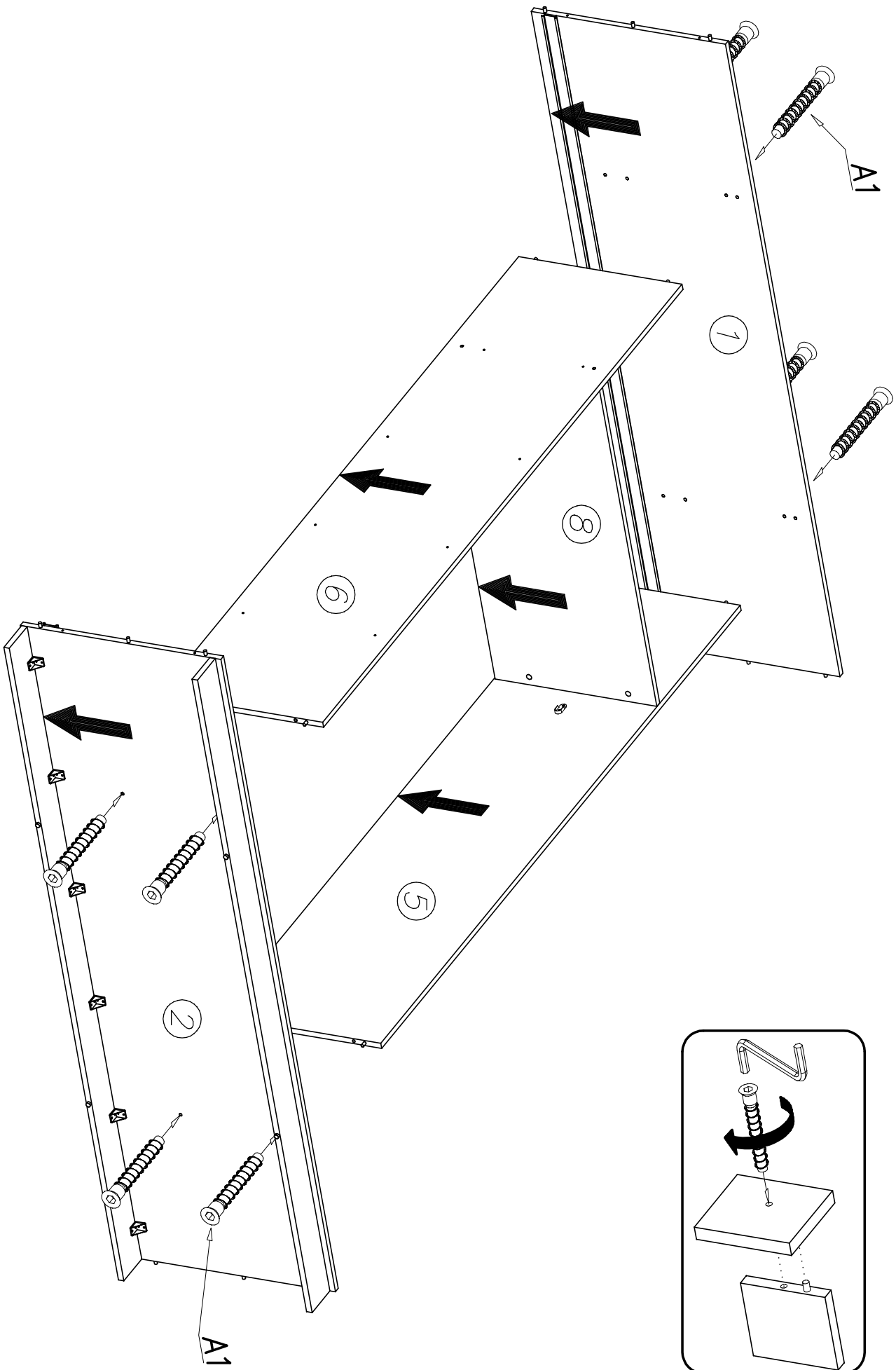


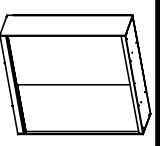
VI



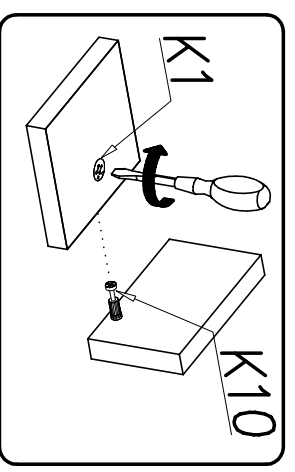
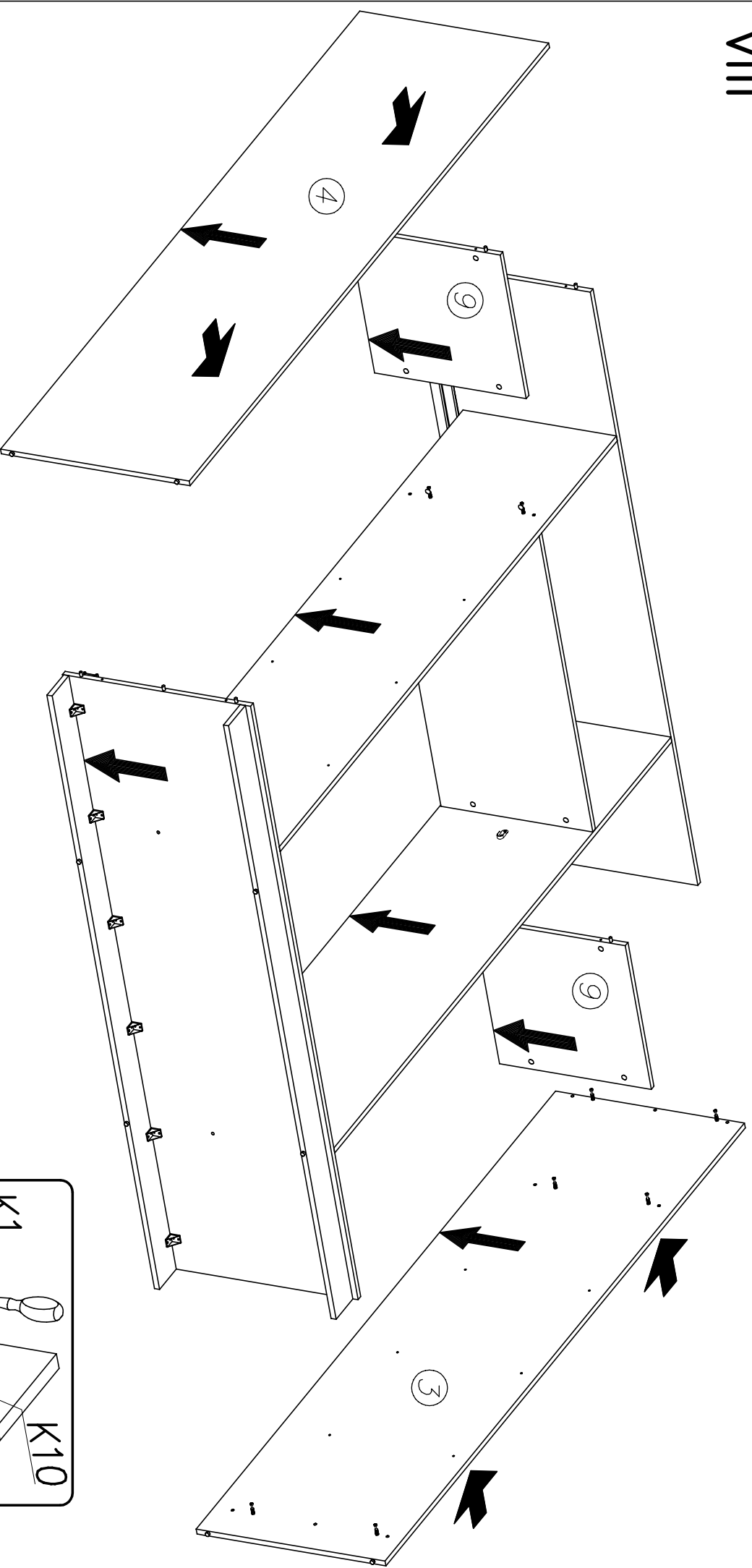


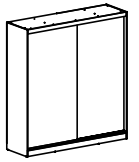
VII



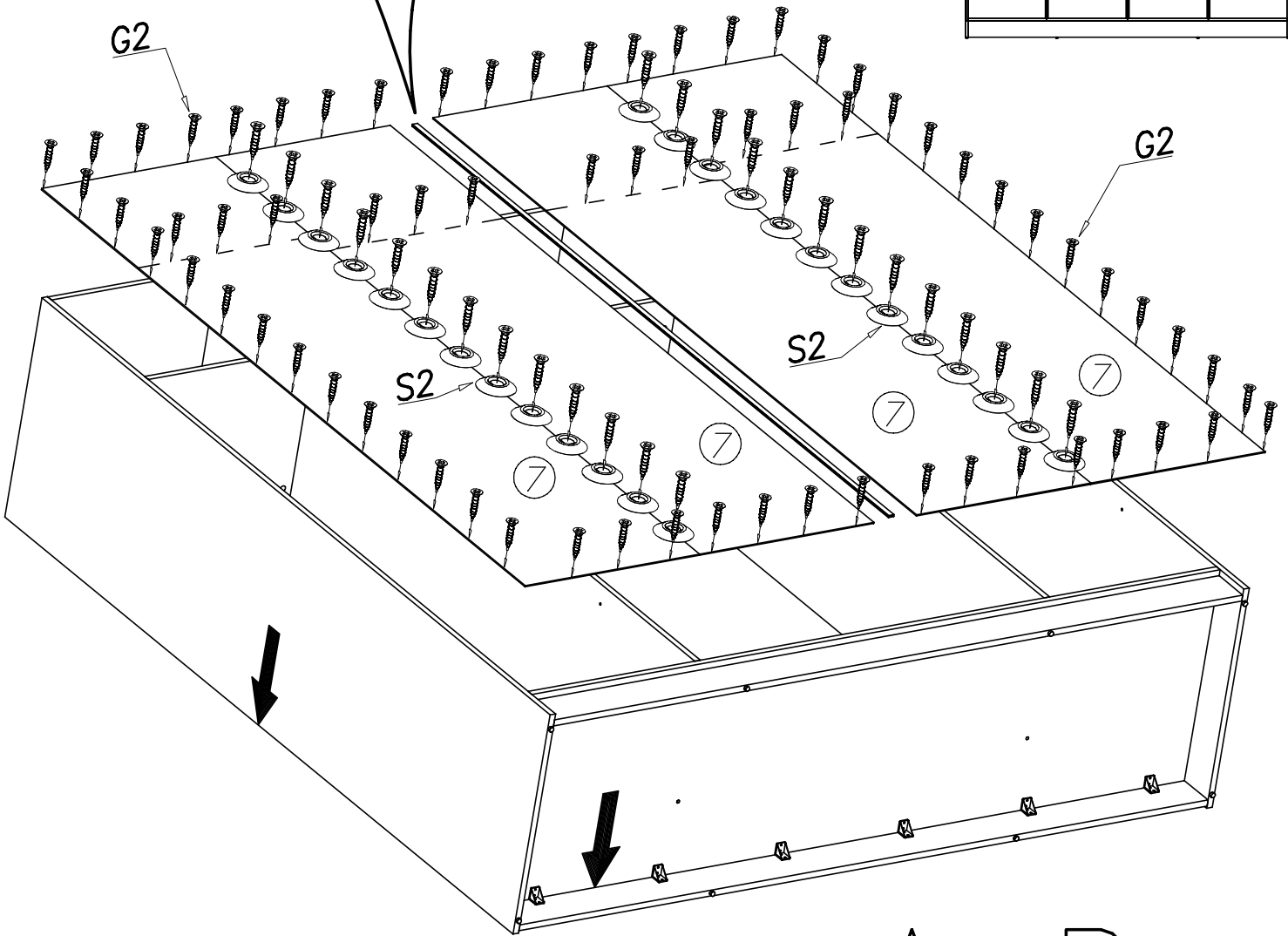
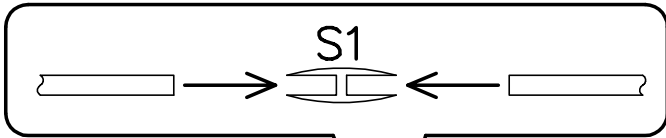
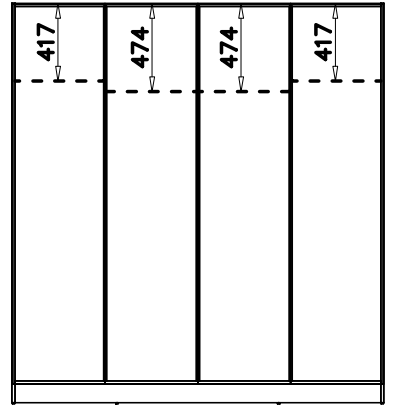


VIII

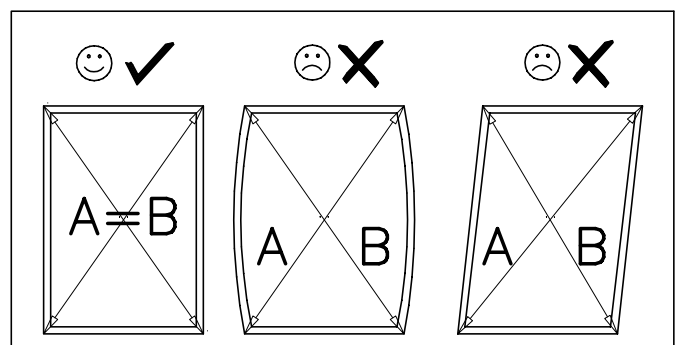
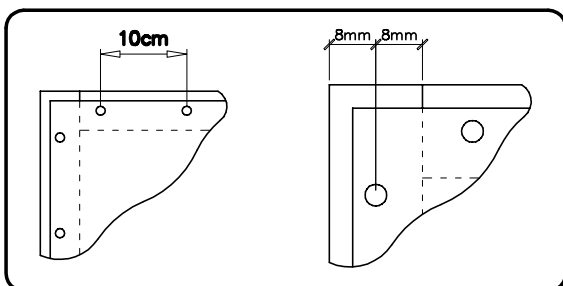


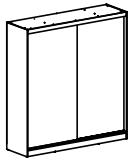


IX

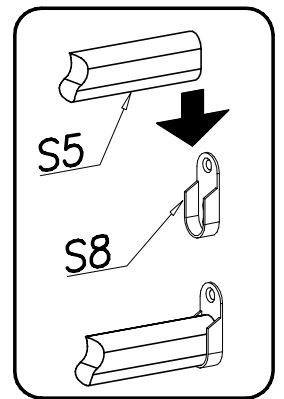
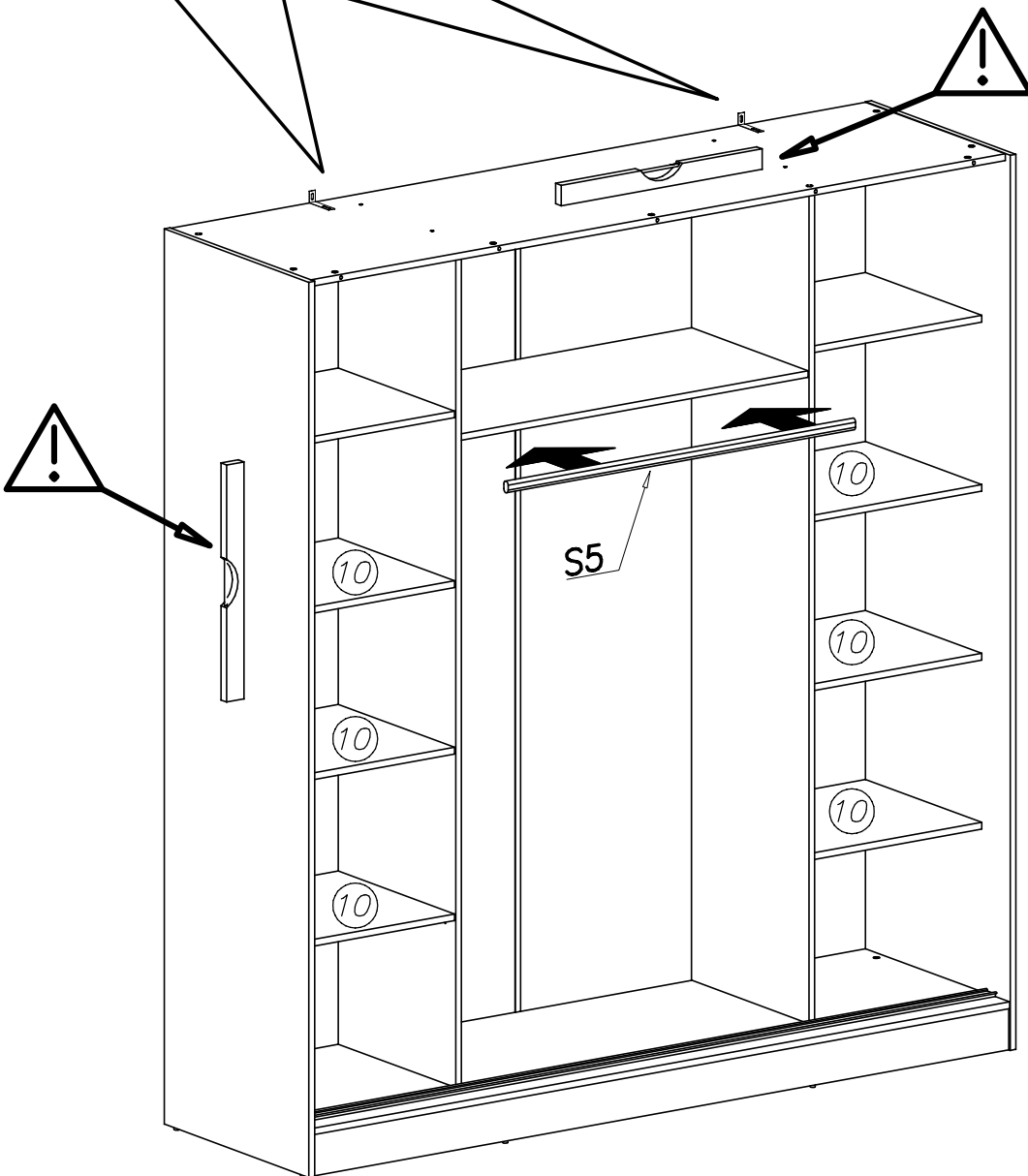
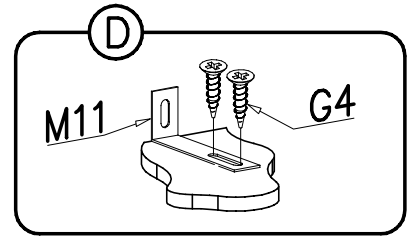
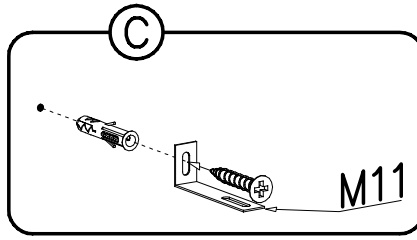
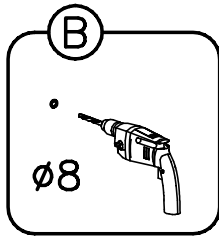
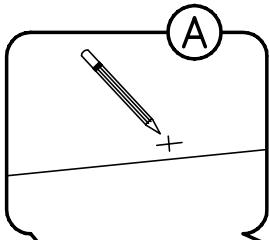
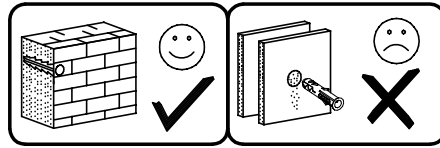
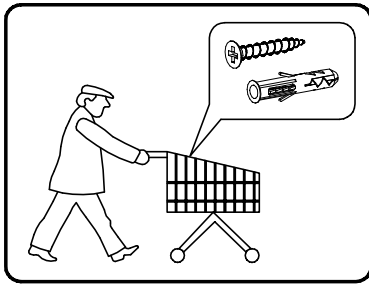


A = B

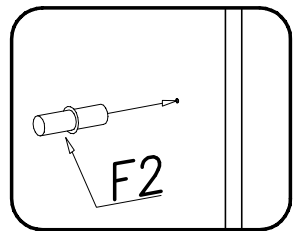




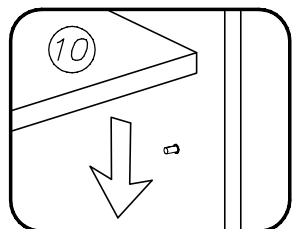
X

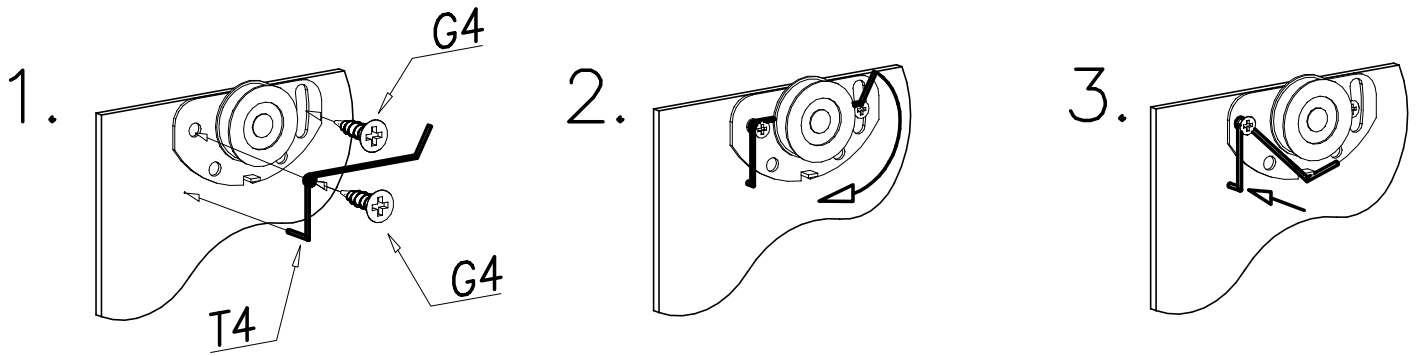
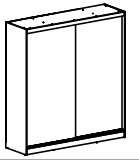


1

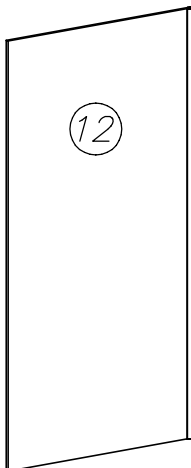
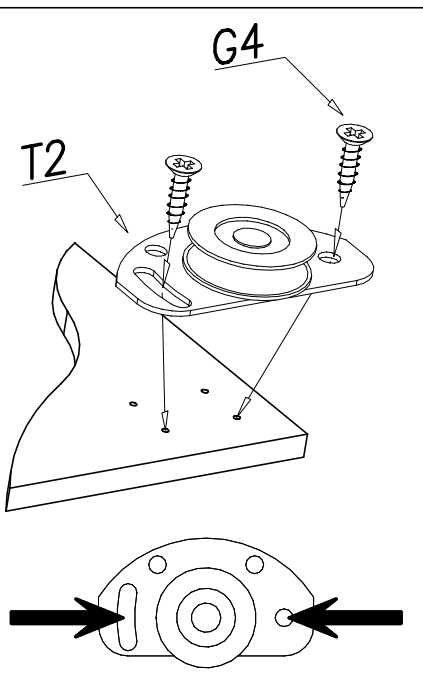
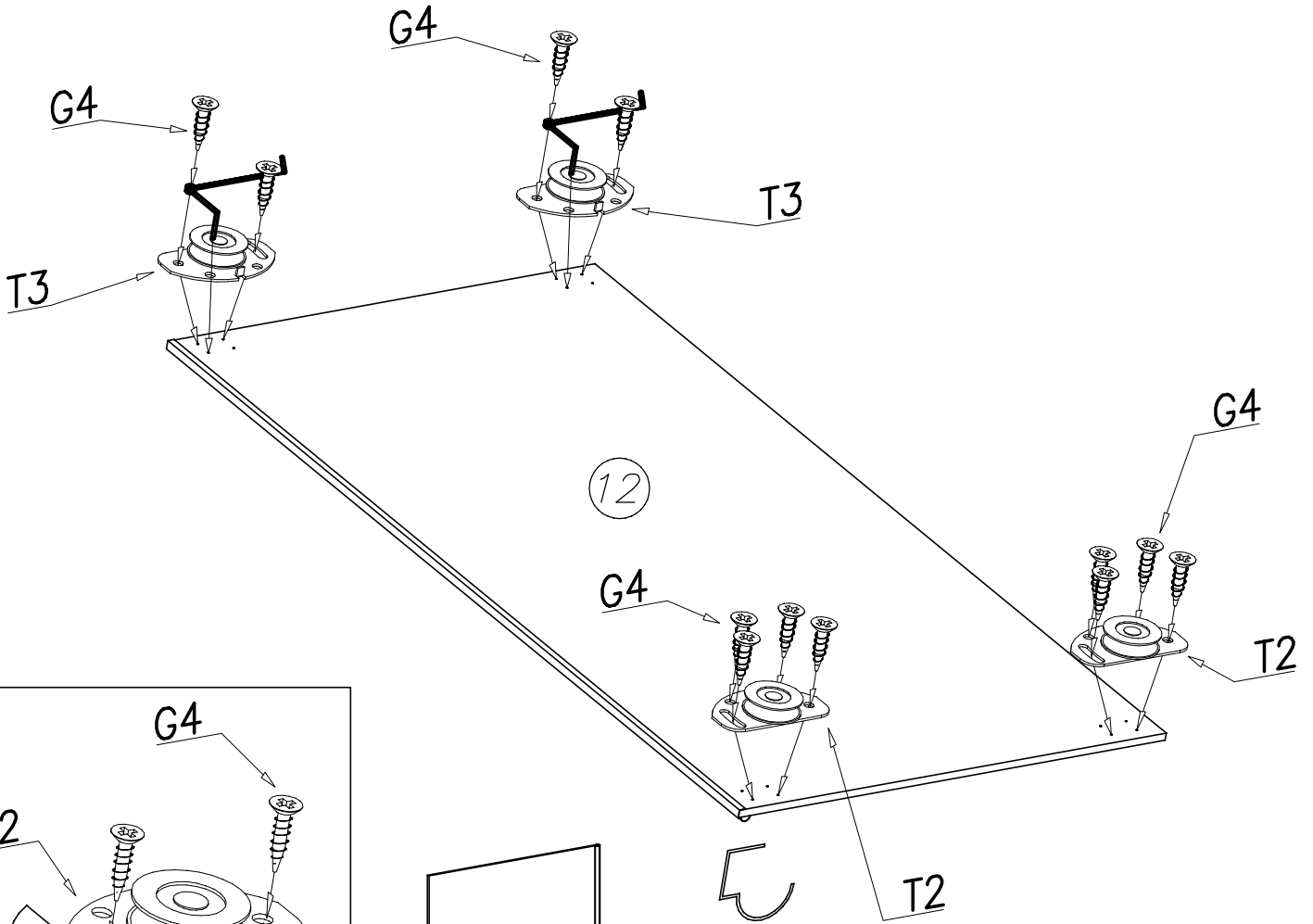


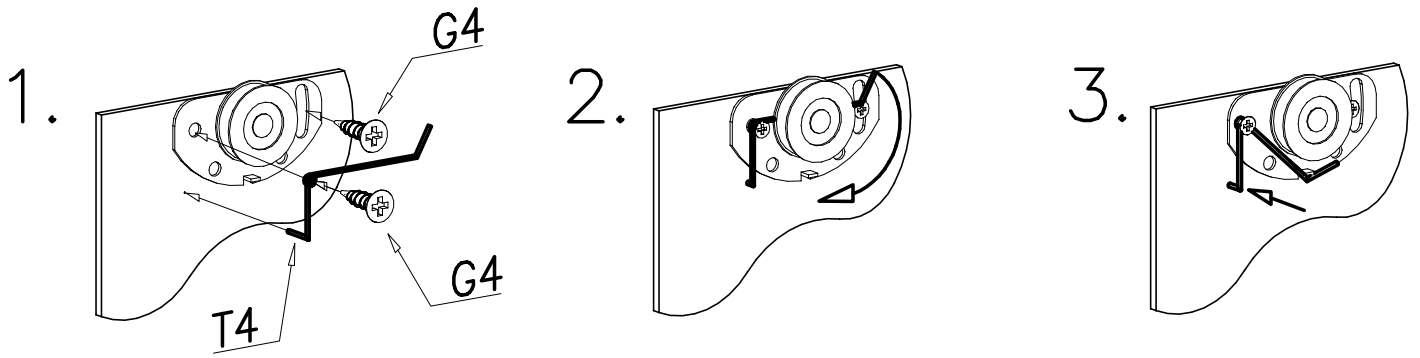
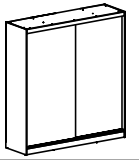
2



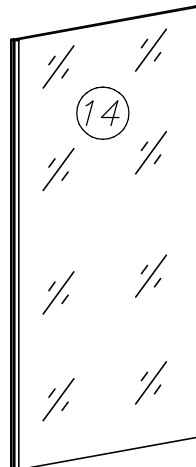
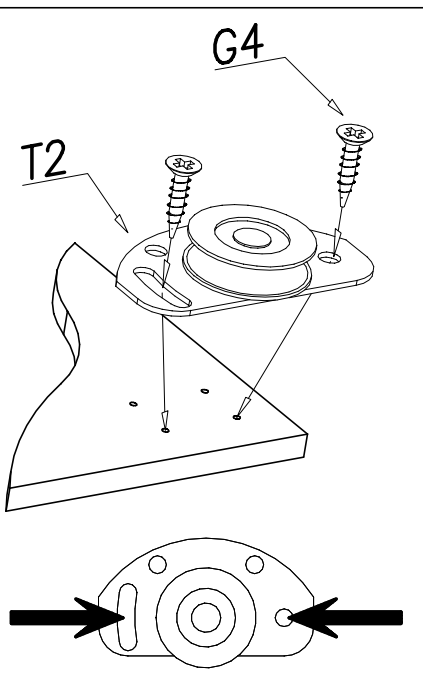
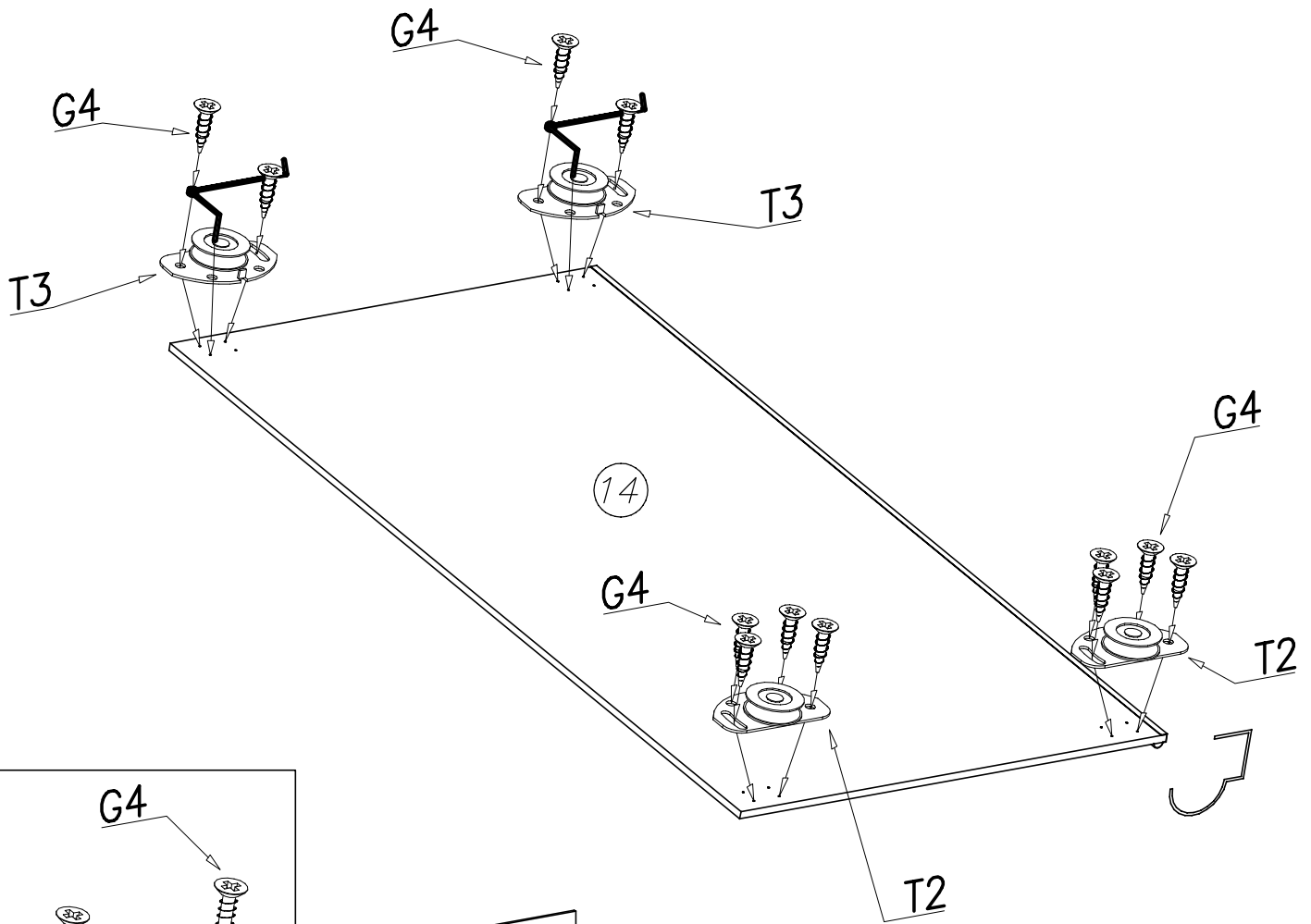


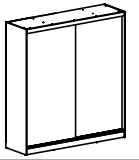
XI



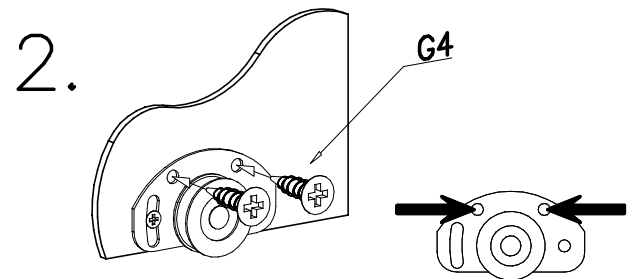
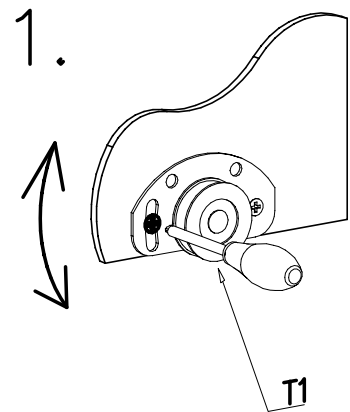
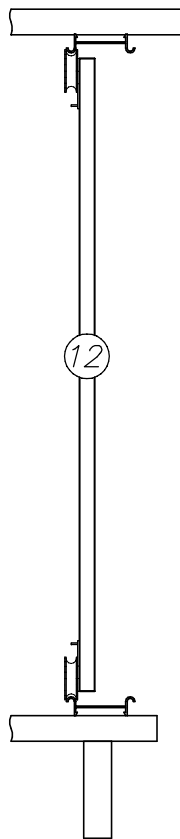
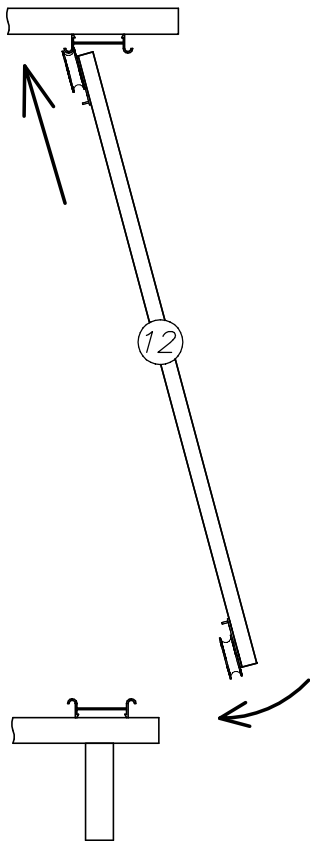
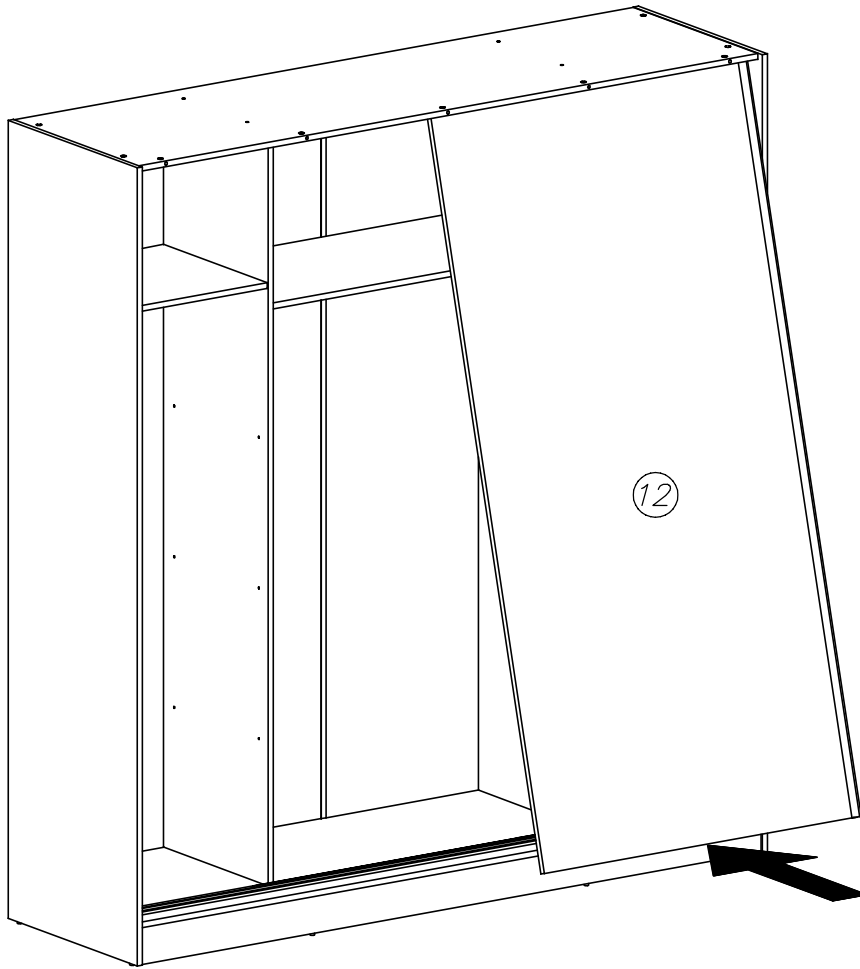


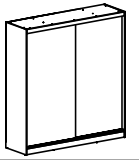
XII



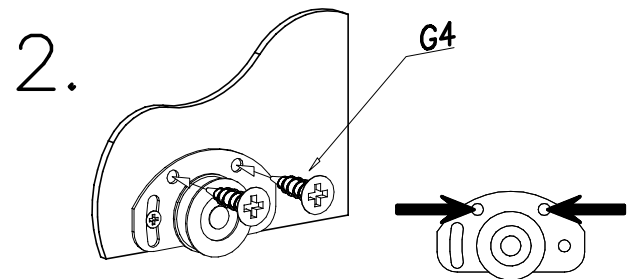
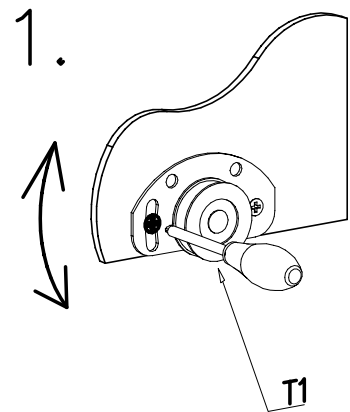
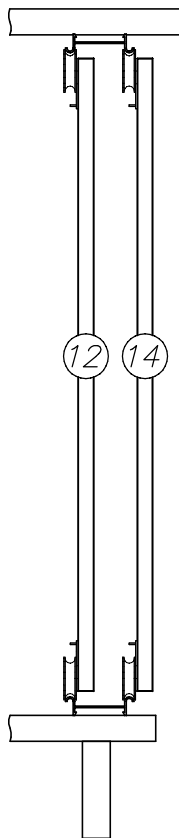
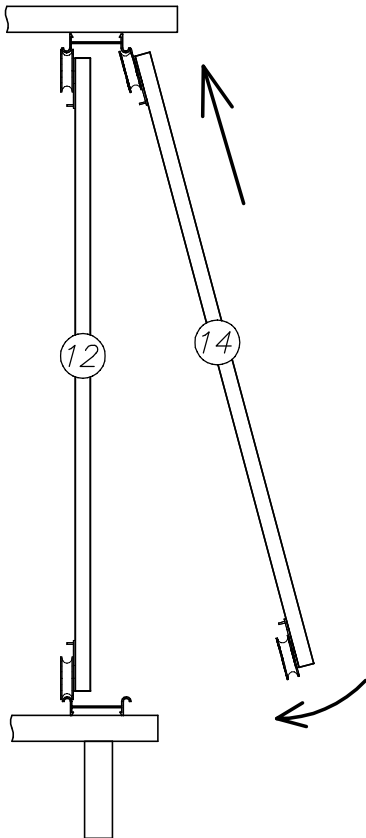
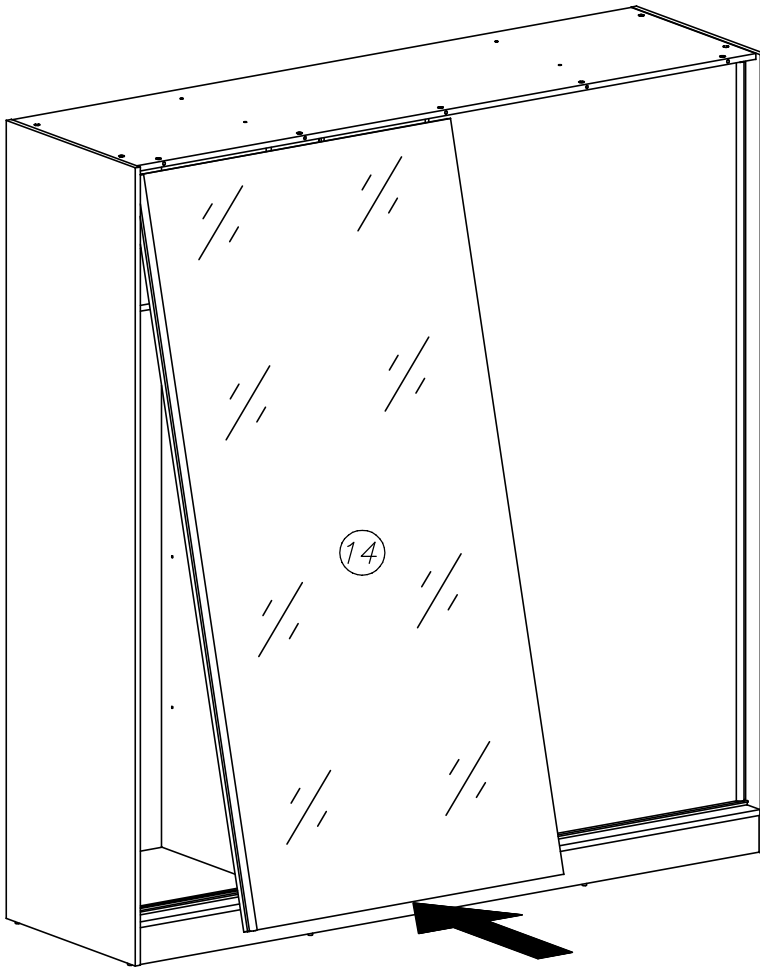


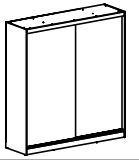
XIII



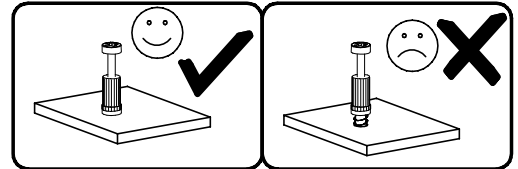
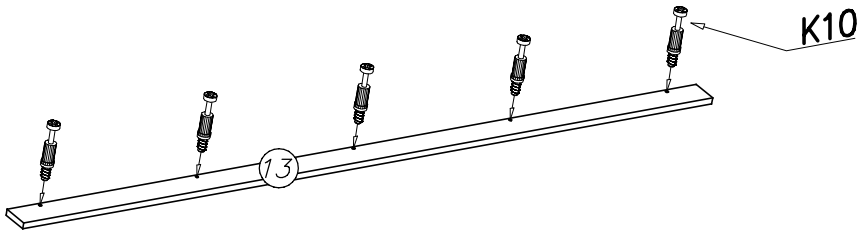


XIV





XV



XVI

