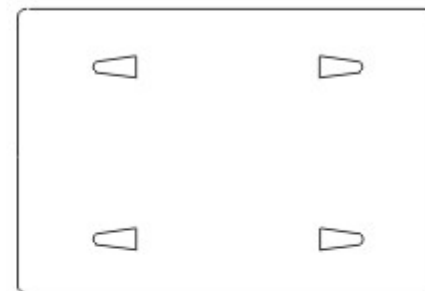
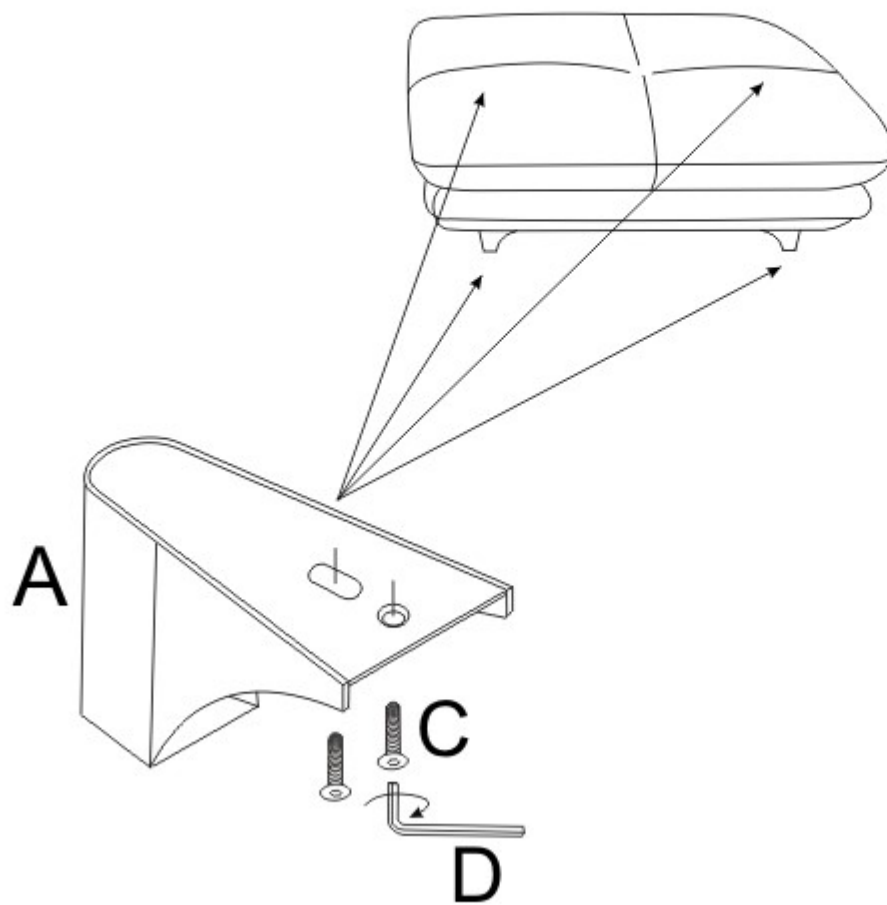




ENTERPRISE HO



A = 4X 

C = 8X 

D = 1X 