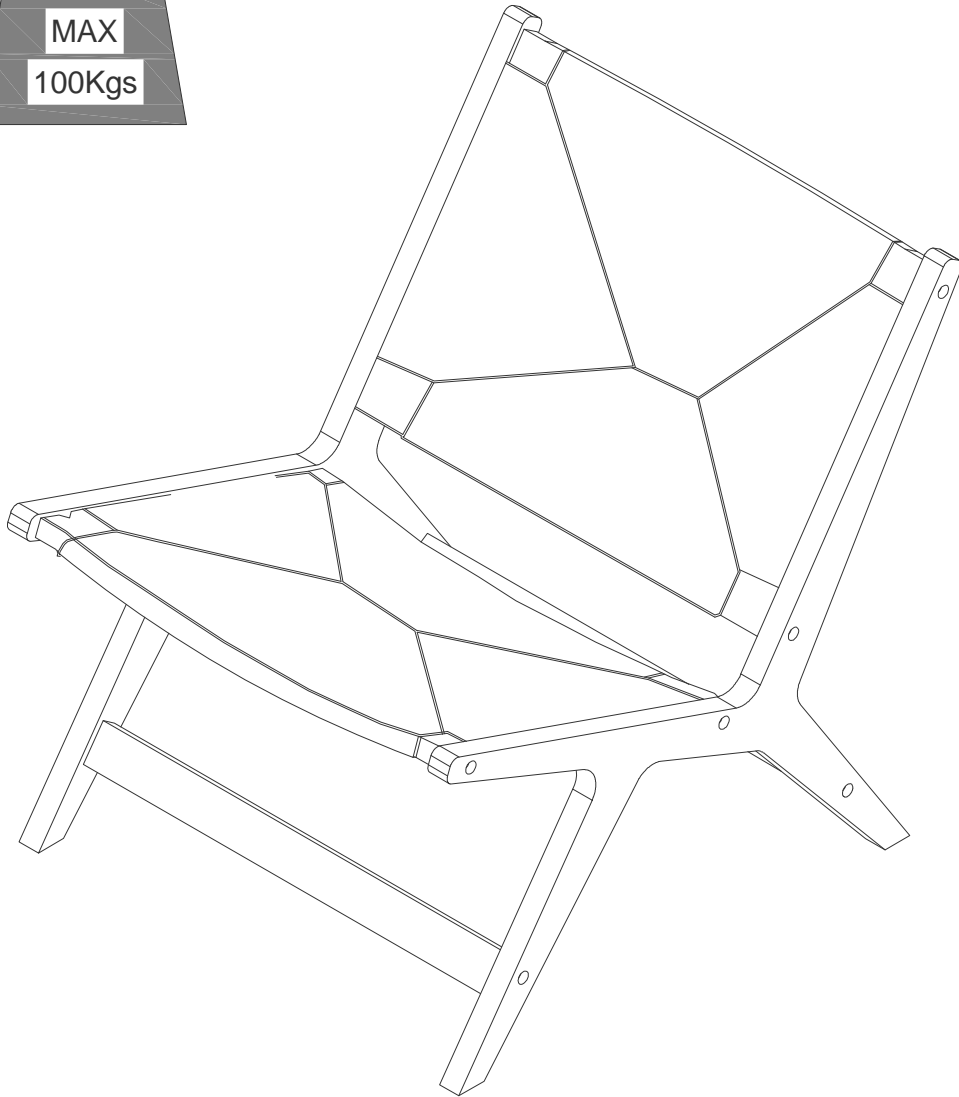
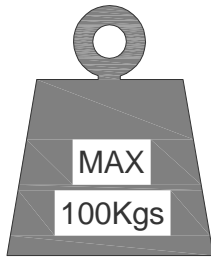
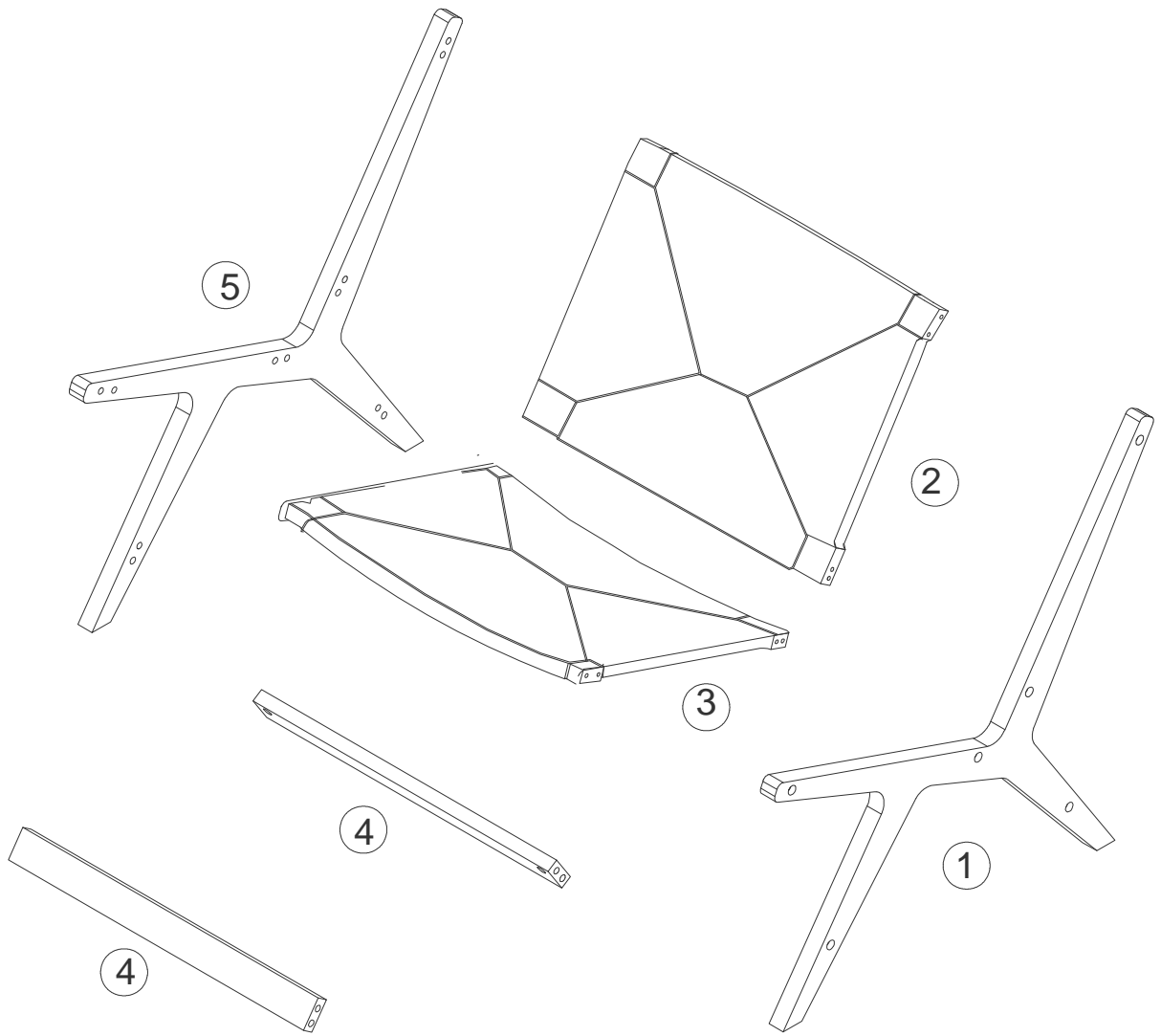
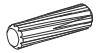
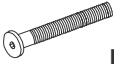



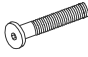
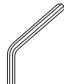


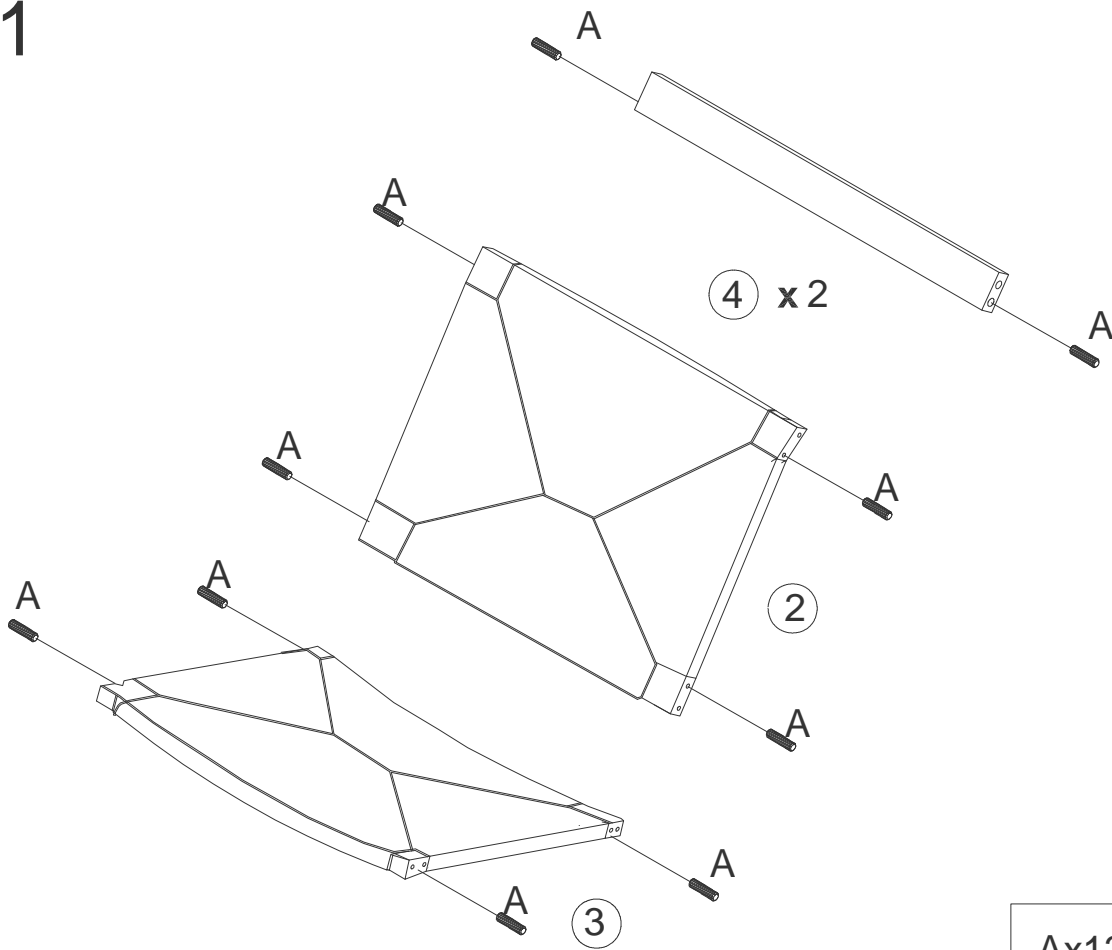
LIM HOME





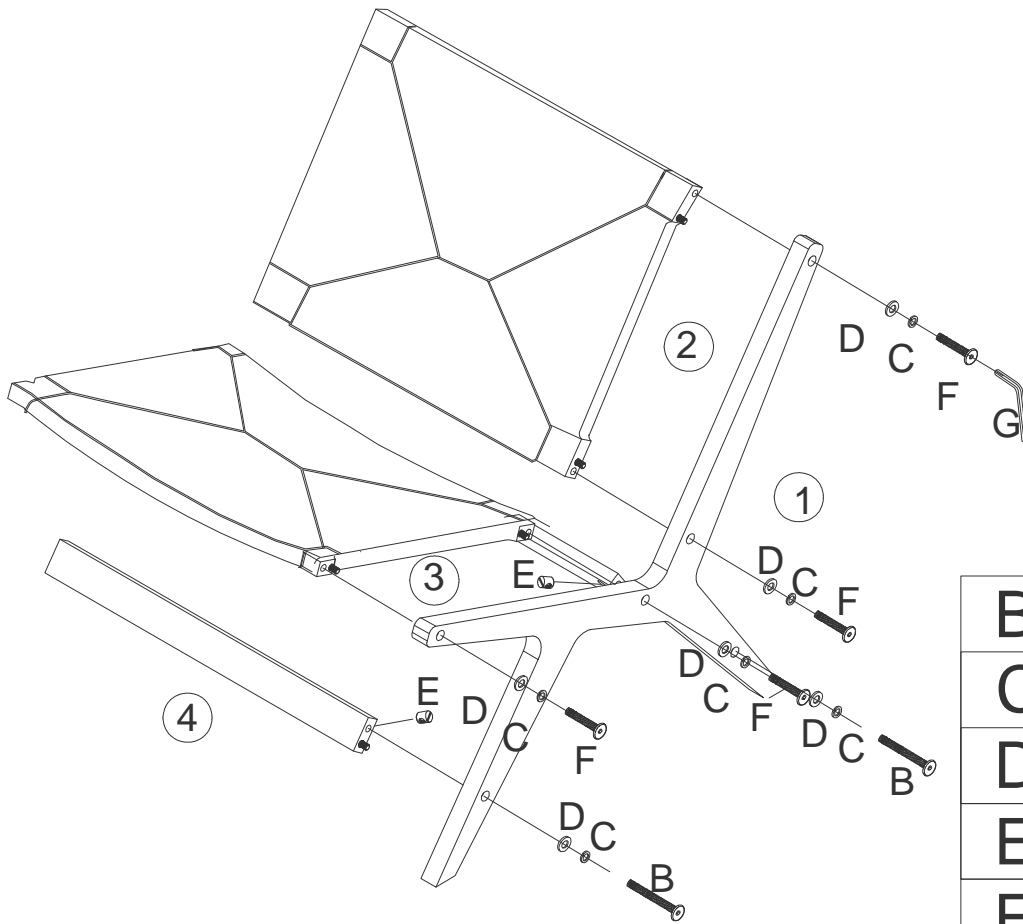
A	 $\Phi 8 \times 40$	Ax12	B	 M6X70	BX4
C	 M6	Cx12	D	 M6X13	DX12
E	 $\Phi 10 \times 12$	Ex4	F	 M6X40	FX8
G	 4MMx70	Gx1			

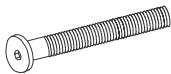



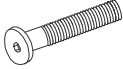
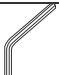
1



Ax12	
------	---

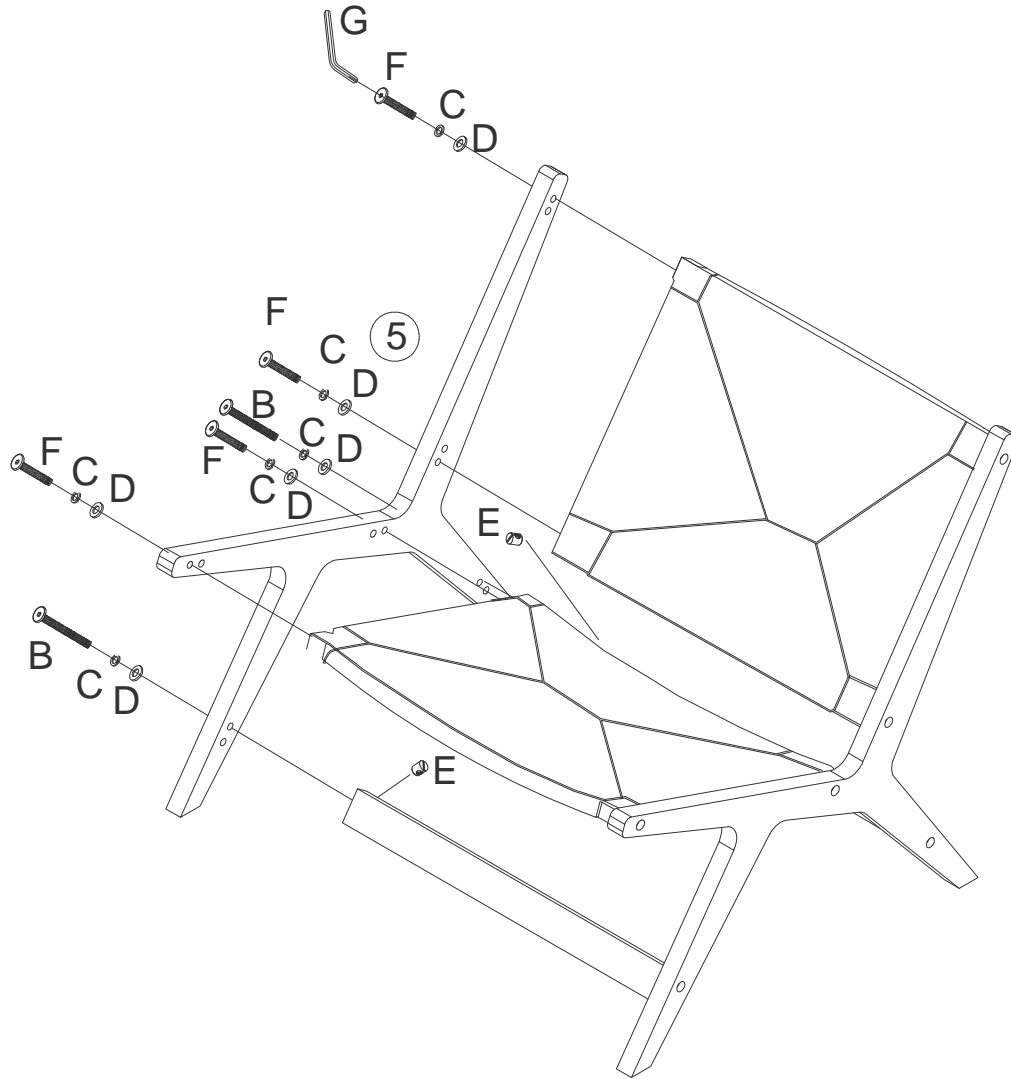
2

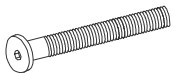



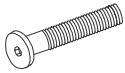


BX2	
CX6	
DX6	
EX2	
FX4	
GX1	

3-4

3



BX2	
CX6	
DX6	
EX2	
FX4	
GX1	