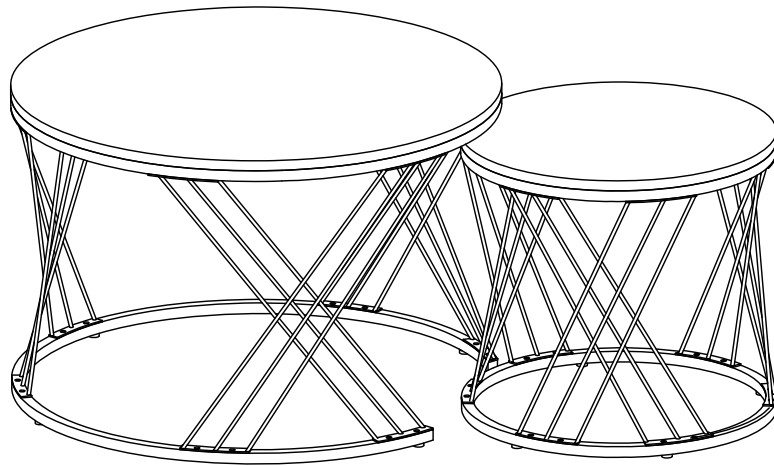
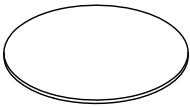
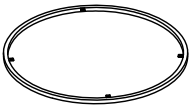
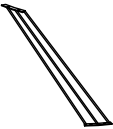
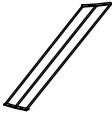
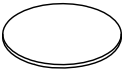








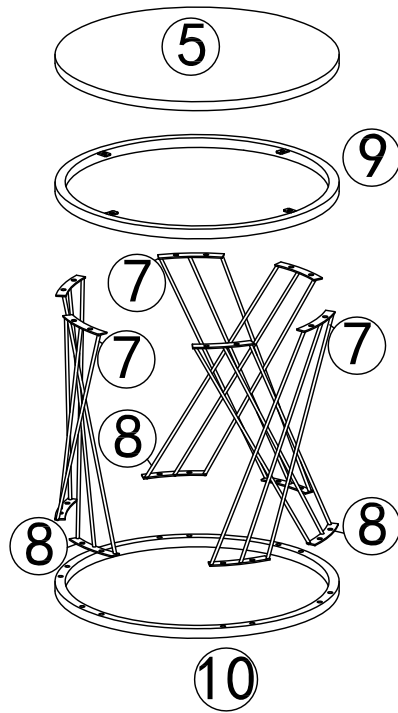
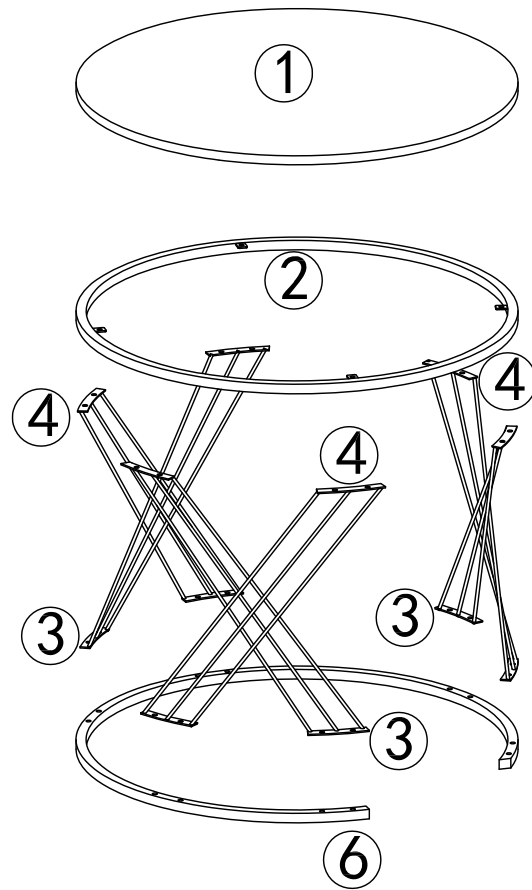


WF300416

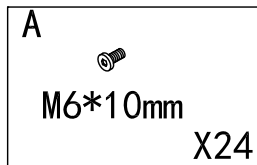
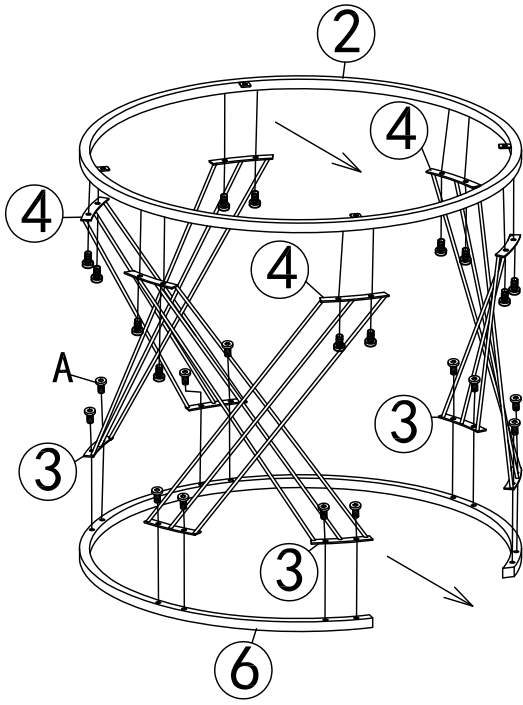


<p>①</p>  <p>X1</p>	<p>②</p>  <p>X1</p>	<p>③</p>  <p>X3</p>	<p>④</p>  <p>X3</p>	<p>⑤</p>  <p>X1</p>
<p>⑥</p>  <p>X1</p>	<p>⑦</p>  <p>X3</p>	<p>⑧</p>  <p>X3</p>	<p>⑨</p>  <p>X1</p>	<p>⑩</p>  <p>X1</p>
<p>A</p>  <p>M6*10mm</p> <p>X56</p>	<p>B</p>  <p>X8</p>	<p>C</p>  <p>M4</p> <p>X1</p>		

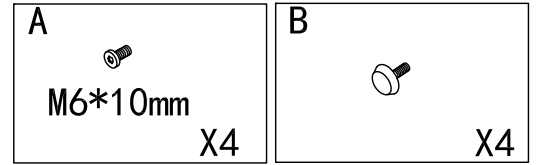
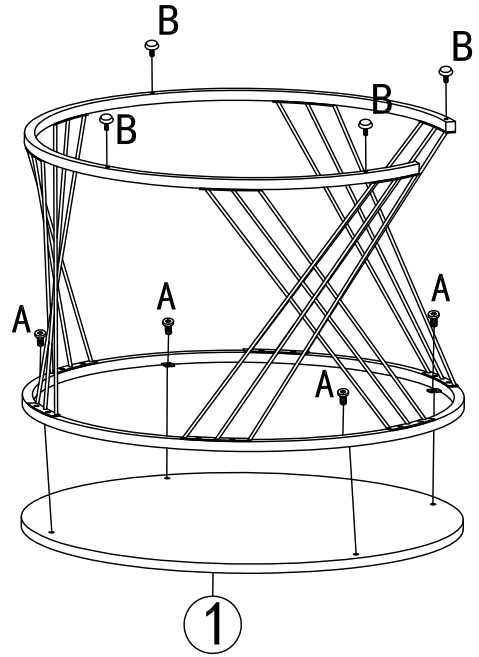


STEP 1

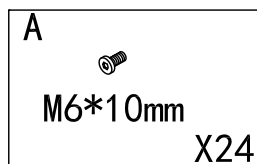
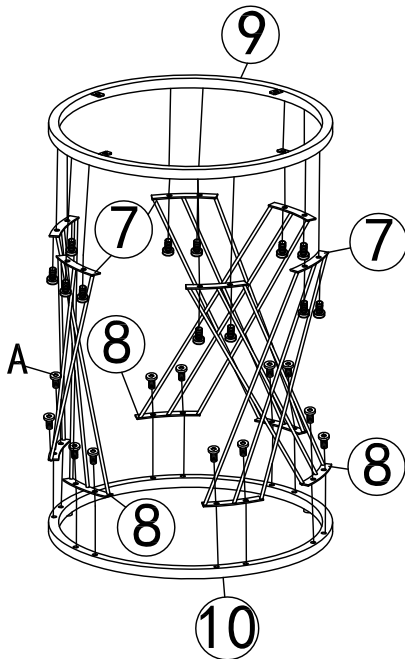
Please rotate to the exact position for assembly



STEP 2



STEP 3



STEP 4

