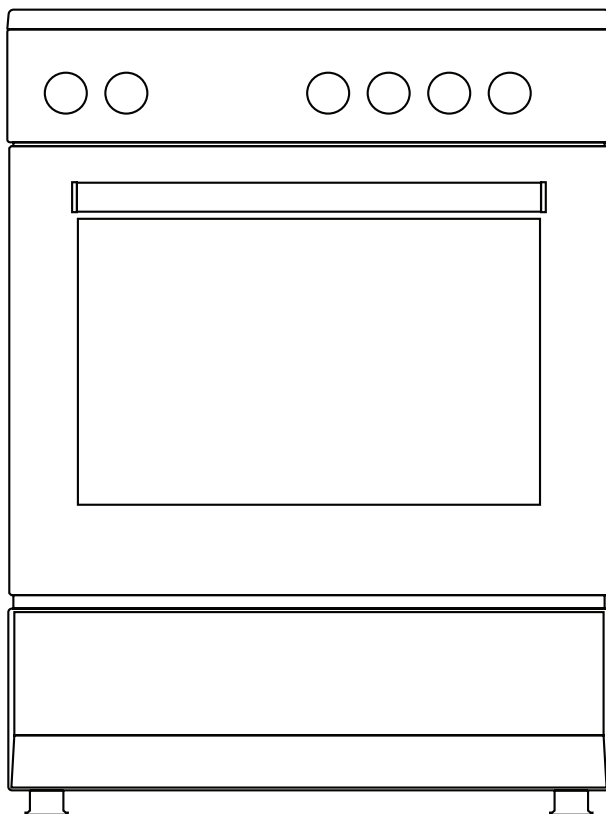


# FREE STANDING OVEN

50x55 / 50x60 / 60x60

Electrical oven

Elektrobackofen



USER MANUAL **GB**

BEDIENUNGSANLEITUNG **DE**

**Dear User,**

Our objective is to make this product provide you with the best output which is manufactured in our modern facilities in a careful working environment, in compliance with total quality concept.

Therefore, we suggest you to read the user manual carefully before using the product and, keep it permanently at your disposal.

**Note:** This user manual is prepared for more than one model. Some of the features specified in the Manual may not be available in your appliance.

All our appliances are only for domestic use, not for commercial use.

Products marked with (\*) are optional.

**“Conforms with the WEEE Regulations.”**

## Contents

Important warnings.....	4
Methods for protecting ceramic glass cooking surface.....	13
Electrical connection.....	14
Introduction of the appliance.....	15
Accessories.....	16
Technical features of your oven.....	17
Installation of your oven.....	18
Chain lashing illustration.....	20
Control panel.....	20
Using oven section.....	21
Using the grill.....	22
Using the chicken roasting.....	22
Using cooker section.....	23
Program types.....	25
Cooking time table.....	26
Maintenance and cleaning.....	27
Installation of the oven door.....	28
Cleaning and maintenance of the Oven's front door glass.....	29
Changing the oven lamp.....	29
Catalytic walls.....	30
Rack positions.....	30
Using the grill deflector sheet.....	31
Troubleshooting.....	32
Handling rules.....	34
Recommendations for energy saving.....	34
Environmentally-friendly disposal.....	35
Package information.....	35

## IMPORTANT WARNINGS

1. Installation and repair should always be performed by **“AUTHORIZED SERVICE”**. Manufacturer shall not be held responsible for operations performed by unauthorized persons.
2. Please read this operating instructions carefully. Only by this way you can use the appliance safely and in a correct manner.
3. The oven should be used according to operating instructions.
4. Keep children below the age of 8 and pets away when operating.
5. **WARNING: The accessible parts may be hot while using the grill. Keep away from children.**
6. **WARNING: Fire hazard; do not store the materials on the cooking surface.**
7. **WARNING: The appliance and its accessible parts are hot during operation.**
8. Setting conditions of this device are specified on the label. (Or on the data plate)
9. The accessible parts may be hot when the grill is used. Small children should be kept away.
10. **WARNING: This appliance is intended for cooking. It should not be used for other purposes like heating a room.**
11. To clean the appliance, do not use steam cleaners.

**12.** Ensure that the oven door is completely closed after putting food inside the oven.

**13.** NEVER try to put out the fire with water. Only shut down the device circuit and then cover the flame with a cover or a fire blanket.

**14.** Children under 8 years of age should be kept away, if they cannot be monitored continuously.

**15.** Touching the heating elements should be avoided.

**16. CAUTION: Cooking process shall be supervised. Cooking process shall always be supervised.**

**17.** This device can be used by children over 8 years of age, people with physical, hearing or mental challenges or people with lack of experience or knowledge; as long as control is ensured or information is provided regarding the dangers.

**18.** This device has been designed for household use only.

**19.** Children must not play with the appliance. Cleaning or user maintenance of the appliance shall not be performed by children unless they are older than 8 years and supervised by adults.

**20.** Keep the appliance and its power cord away from children less than 8 years old.

**21.** Put curtains, tulle, paper or any flammable (ignitable) material away from the appliance before starting to use the appliance. Do not put ignitable or flammable materials on or in the appliance.

- 22.** Keep the ventilation channels open.
- 23.** The appliance is not suitable for use with an external timer or a separate remote control system.
- 24.** Do not heat closed cans and glass jars. The pressure may lead jars to explode.
- 25.** Oven handle is not a towel drier. Do not hang towels, etc. on the oven handle.
- 26.** Do not place the oven trays, plates or aluminium foils directly on the oven base. The accumulated heat may damage the base of the oven.
- 27.** While placing food to or removing food from the oven, etc., always use heat resistant oven gloves.
- 28.** Do not use the product in states like medicated and/or under influence of alcohol which may affect your ability of judgement.
- 29.** Be careful when using alcohol in your foods. Alcohol will evaporate at high temperatures and may catch fire to cause a fire if it comes in contact with hot surfaces.
- 30.** After each use, check if the unit is turned off.
- 31.** If the appliance is faulty or has a visible damage, do not operate the appliance.
- 32.** Do not use the appliance with its front door glass removed or broken.
- 33.** Place the baking paper together with the food into a pre-heated oven by putting it inside a cooker or on an oven accessory (tray, wire grill etc.).

**34.** Do not put objects that children may reach on the appliance.

**35.** It is important to place the wire grill and tray properly on the wire racks and/or correctly place the tray on the rack. Place the grill or tray between two rails and make sure it is balanced before putting food on it.

**36.** Against the risk of touching the oven heater elements, remove excess parts of the baking paper that hang over from the accessory or container.

**37.** Never use it at higher oven temperatures than the maximum usage temperature indicated on your baking paper. Do not place the baking paper on the base of the oven.

**38.** When the door is open, do not place any heavy object on the door or allow children to sit on it. You may cause the oven to overturn or the door hinges to be damaged.


**39.** The packaging materials are dangerous for children. Keep packaging materials away from the reach of children.

**40.** Do not use abrasive cleaners or sharp metal scrapers to clean the glass as the scratches that may occur on the surface of the door glass may cause the glass to break.

**41.** Do not hit glass surfaces of vitro-ceramic cookers with a hard metal, resistance can get damaged. It may cause an electric shock.

- 42.** User should not handle the oven by himself.
- 43.** Food can spill when foot of oven is dismantled or gets broken, be careful. It may cause personal injuries.
- 44.** During usage, the internal and external surfaces of the oven get hot. As you open the oven door, step back to avoid the hot vapour coming out from the interior. There is risk of burning.
- 45.** Upper cover of the oven can be closed for a reason, than cookware can trip over. Step back to avoid the hot food coming on you. There is risk of burning.
- 46.** Do not place heavy objects when oven door is open, risk of toppling.
- 47.** User should not dislocate the resistance during cleaning. It may cause an electric shock.
- 48.** Do not place metal utensils such as knife, fork, spoon on the surface of the appliance, since they will get hot.
- 49.** Do not remove ignition switches from the appliance. Otherwise, live electric cables can be accessed. It may cause an electric shock.
- 50.** Oven supply can be disconnected during any construction work at home. After completing the work, re-connecting the oven shall be done by authorized service.
- 51.** Do not place metal utensils such as knife, fork, spoon on the surface of the appliance, since they will get hot.





**52**To prevent overheating, the appliance should not be installed behind of a decorative cover.

**53.** Turn off the appliance before removing the safeguards. After cleaning, install the safeguards according to instructions.

**54.** Cable fixing point shall be protected.

**55.** Please don't cook the food directly on the tray / grid. Please put the food into or on appropriate tools before putting them in the oven.

**56. CAUTION: If the glass of the stove is broken, turn off any heating element immediately and disconnect the appliance from power source, do not touch the surface of the appliance and do not use the appliance.**

## Electrical Safety

1. Have an authorized electrician set grounding equipment. Our company shall not be responsible for the damages that shall be incurred due to using the product without grounding according to local regulations.

2. The circuit breaker switches of the oven shall be placed so that end user can reach them when the oven is installed.

3. The power supply cord shall not contact the hot parts of the appliance.

4. If the power supply cord is damaged, this cord shall be replaced by the manufacturer or its service agent or an equally qualified personnel to prevent a hazardous situation.


5. Never wash the product by spraying or pouring water on it! There is a risk of electrocution.

**6. WARNING: To avoid electric shock, ensure that the device circuit is open before changing the lamp.**

**7. WARNING: Cut off all supply circuit connections before accessing the terminals.**

**8. WARNING: If the surface is cracked, turn off the appliance to avoid risk of electric shock.**

9. Do not use cut or damaged cords or extension cords other than the original cord.



**10.** The rear surface of the oven also heats up when the oven is operated. Electrical connections shall not touch the rear surface, otherwise the connections may be damaged.

**11.** Do not tighten the connecting cables to the oven door and do not run them over hot surfaces. If the cord melts, this may cause the oven to short circuit and even a fire.

**12.** If the power supply cable is damaged, it must be replaced by its manufacturer or authorized technical service or any other personnel qualified at the same level, in order to avoid any dangerous situation.

**13.** Do not use steam cleaners for cleaning the appliance, otherwise electric shock may occur.

**14.** An omnipolar switch capable to disconnect power supply is required for installation. Disconnection from power supply shall be provided with a switch or an integrated fuse installed on fixed power supply according to building code.

**15.** Appliance is equipped with a **type “Y”** cord cable.

**16.** Fixed connections shall be connected to a power supply enabling omnipolar disconnection. For appliances with over voltage category below III, disconnection device shall be connected to fixed power supply according to wiring code.

## Intended Use

- 1.** This product has been designed for domestic use. Commercial use is not permitted.
- 2.** This appliance may only be used for cooking purposes. It shall not be used for other purposes like heating a room.
- 3.** This appliance shall not be used to heat plates under the grill, drying clothes or towels by hanging them on the handle or for heating purposes.
- 4.** The manufacturer assumes no responsibility for any damage due to misuse or mishandling.
- 5.** Oven part of the unit may be used for thawing, roasting, frying and grilling food.
- 6.** Operational life of the product you have purchased is 10 years. This is the period for which the spare parts required for the operation of this product as defined is provided by the manufacturer.

## Methods for Protecting Ceramic Glass Cooking Surface

Ceramic glass surface is unbreakable and scratch resistant to a certain degree. However, to avoid any damage, please do the following:

1. Never pour cold water on hot cookers.
2. Do not stand on a ceramic glass plate.
3. Sudden pressure, for example, the effect of a falling salt shaker may be critical. So, do not place such objects on a place above the hobs.
4. After each use, make sure that the base of the cooking pot and surfaces of cooking zones are clean and dry.
5. Do not peel vegetables on the hob surfaces. Sand grains falling from the vegetables may scratch the ceramic glass plate.
6. Do not lay flammable materials such as cardboard or plastic on the oven. Objects such as tin, zinc, or aluminium (as well as aluminium foils or empty coffee pots) may melt on hot cooking surfaces and thus cause damage.
7. Take care not to let sugary foods or fruit juices contact the hot cooking zones. The ceramic glass surface may be stained by these.

## Electrical Connection

1. Your oven requires 40 Amp fuse for mono phase or 3x16 Amp fuse for 3 phase supply according to electrical power for cooker section has 4 ceramic heater and oven section has electric models. Installation by a qualified electrician is mandatory.

2. Your oven is adjusted in compliance with 220-240V / 380-415V AC,50/60Hz. electric supply. If the mains are different from this specified value, contact your authorized service.

3. Electrical connection of the oven should only be made to connections / sockets with an earth system installed in compliance with local regulations. If there are no connections/sockets with an earth system in place where the oven will be installed, immediately contact a qualified electrician to install. The manufacturer is not responsible for damages that will arise because of the appliance not be connected to an earth system.

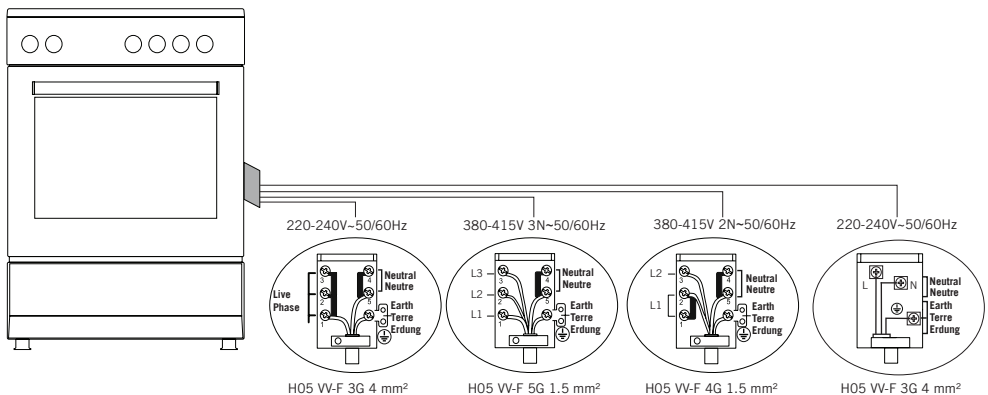
4. If your supply cable gets damaged, it should be replaced by an authorized service agent or qualified electrician in order to avoid danger or electric shock.

5. Electrical cable should not touch the hot parts of the appliance.

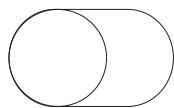
6. Operate your oven in dry atmosphere.

7. When placing your oven to its location, ensure that it is at the counter level. Bring it to the counter level by adjusting the feet if necessary.

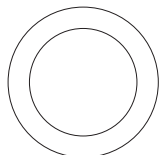
## Electrical Connection Scheme



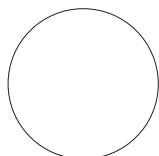
## INTRODUCTION OF THE APPLIANCE



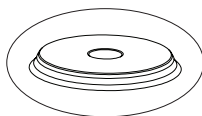
11



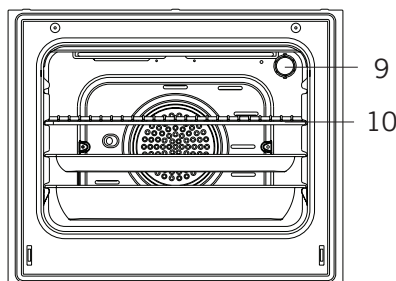
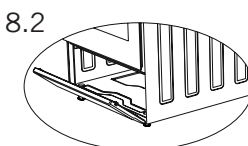
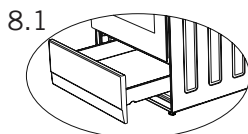
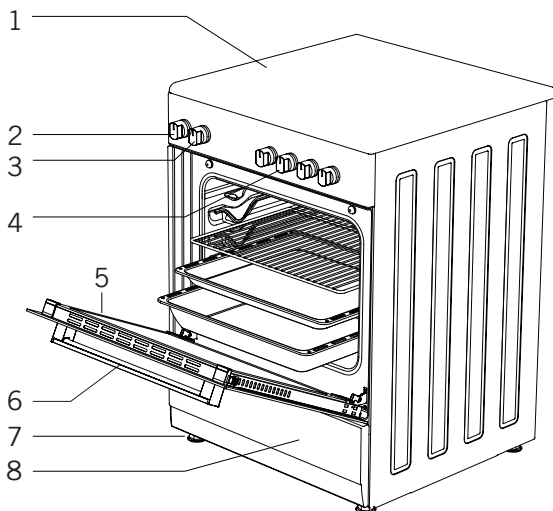
12



13



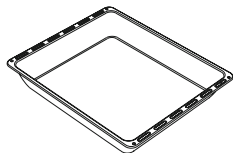
14



- 1. Glass top plate
- 2. Thermostat knob
- 3. Command knob for oven
- 4. Regulators for vitroceramic hobs
- 5. Oven door
- 6. Handle
- 7. Plastic leg
- 8. Lower cabinet door

- 8.1. Drawer
- 8.2. Flap door
- 9. Lamp
- 10. Grill
- 11. Ceramic heater (140 mm / 250 mm)
- 12. Ceramic heater (120 mm / 180 mm)
- 13. Ceramic heater (140 mm or 180 mm)
- 14. Hot plate (145 mm or 185 mm)

## Accessories



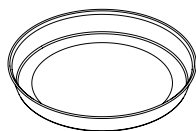
### Deep tray \*

Used for pastry, big roasts, watery foods. It can also be used as oil collecting container if you roast directly on grill with cake, frozen foods and meat dishes.



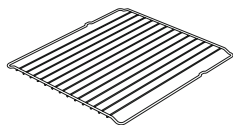
### Tray / Glass tray \*

Used for pastry (cookie, biscuit etc.), frozen foods.



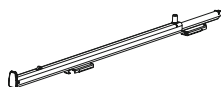
### Circular tray \*

Used for pastry frozen foods.



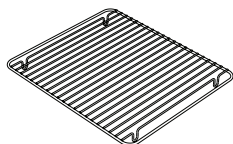
### Wire grill

Used for roasting or placing foods to be baked, roasted and frozen into desired rack.



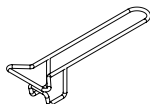
### Telescopic rail \*

Trays and wire racks can be removed and installed easily thanks to telescopic rails.



### In tray wire grill \*

Foods to stick while cooking such as steak are placed on in tray grill. Thus contact of food with tray and sticking are prevented.



### Tray handle \*

It is used to hold hot trays.



## Technical features of your oven

Specifications	50x55	50x60	60x60
Outer width	500 mm	500 mm	600 mm
Outer depth	565 mm	630 mm	630 mm
Outer height	855 mm	855 mm	855 mm
Lamp power	15-25 W		
Bottom heating element	1000 W	1000 W	1200 W
Top heating element	800 W	800 W	1000 W
Turbo heating element	-----	1800 W	2200 W
Grill heating element	1500 W	1500 W	2000 W
Supply voltage	220-240V AC/380-415V AC 50/60 Hz		
Hot plate 145 mm *	1000 W		
Hot plate 180 mm *	1500 W		
Hot plate rapid 145 mm *	1500 W		
Hot plate rapid 180 mm *	2000 W		
Ceramic heater 140 mm *	1200 W		
Ceramic heater 180 mm *	1700 W / 1800 W		
Ceramic heater 140 mm / 250 mm *	1800 W		
Ceramic heater 120 mm / 180 mm *	1700 W		

**WARNING:** For the modification to be done by authorized service, this table should be considered. Manufacturer may not be held responsible for any problems rising because of any faulty modification.

**WARNING:** In order to increase the product quality, the technical specifications may be changed without prior notice.

**WARNING:** The values provided with the appliance or its accompanying documents are laboratory readings in accordance with the respective standards. These values may differ depending on the use and ambient conditions.

## INSTALLATION OF YOUR OVEN

Check if the electrical installation is proper to bring the appliance in operating condition. If electricity installation is not suitable, call an electrician and plumber to arrange the utilities as necessary. Manufacturer shall not be held responsible for damages caused by operations performed by unauthorized persons.

**WARNING:** It is customer's responsibility to prepare the location the product shall be placed on and also to have the electrical installation prepared.

**WARNING:** The rules in local standards about electrical installations shall be followed during product installation.

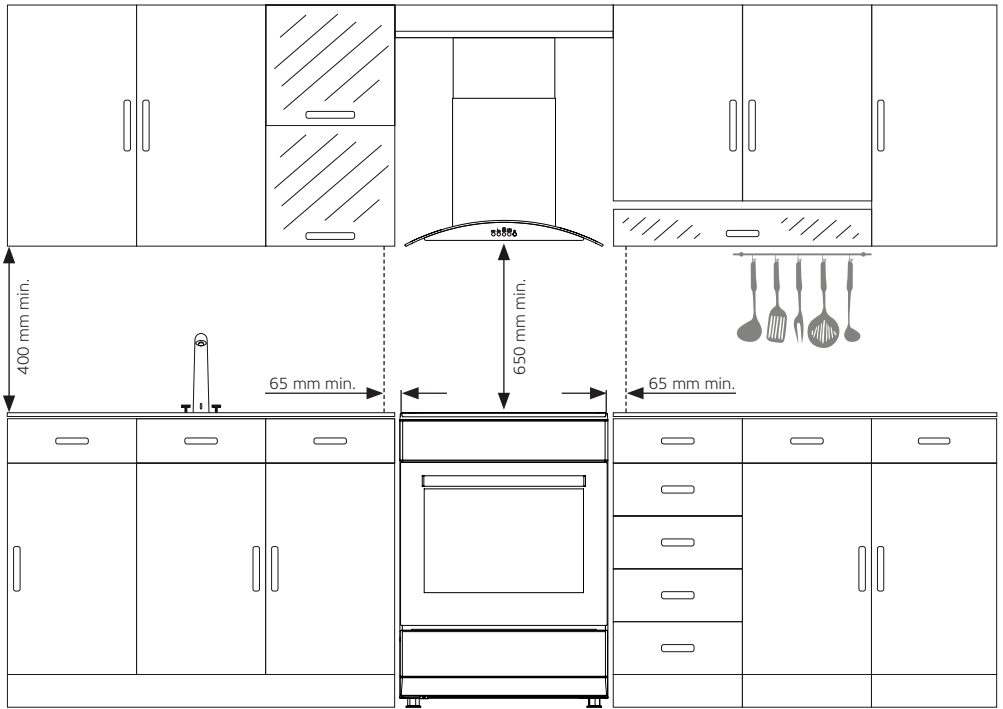
**WARNING:** Check for any damage on the appliance before installing it. Do not have the product installed if it is damaged. Damaged products cause a risk for your safety.

### Right Place for Installation and Important Warnings

Appliance feet should not stay on soft surfaces such as carpets. The kitchen floor shall be durable to carry the unit weight and any other kitchenware that may be used on the oven.

Appliance should be used with a clearance of minimum 400 mm over the upper hob surfaces, and 65 mm from side surfaces inside a kitchen furniture.

The appliance is suitable for use on both side walls, without any support, or without being installed in a cabinet. If a hood or aspirator will be installed above the cooker, follow the instructions of the manufacturer for height of mounting. (min. 650 mm)

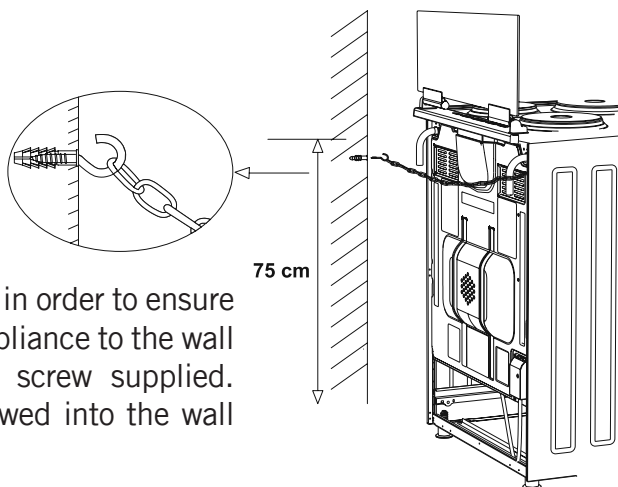


**WARNING:** The kitchen furniture near the appliance must be heat resistant.

**WARNING:** Do not install the appliance beside refrigerators or coolers. Heat radiated by the appliance increases the energy consumption of cooling devices.

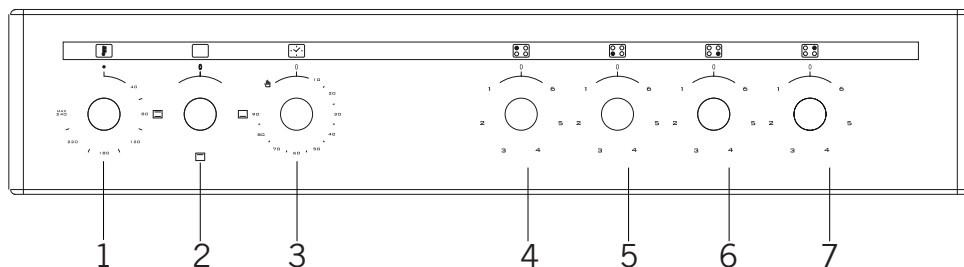
**WARNING:** Do not use the door and/or handle to carry or move the appliance.

## Chain lashing illustration



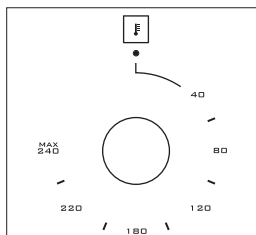
Before using the appliance, in order to ensure safe use, be sure to fix the appliance to the wall using the chain and hooked screw supplied. Ensure that the hook is screwed into the wall securely.

## CONTROL PANEL

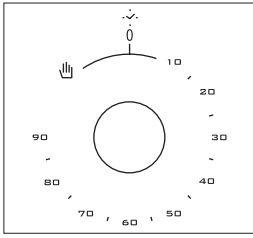


- |                                |                                  |
|--------------------------------|----------------------------------|
| 1. Thermostat                  | 5. Front left electrical heater  |
| 2. Function selection button   | 6. Front right electrical heater |
| 3. Mechanical timer *          | 7. Rear right electrical heater  |
| 4. Rear left electrical heater |                                  |

**WARNING:** The control panel above is only for illustration purposes. Consider the control panel on your device.



**Thermostat:** Used for determining the cooking temperature of the dish to be cooked in the oven. After placing the food inside the oven, turn the switch to adjust desired temperature setting between 40-240 °C. For cooking temperatures of different food, see cooking table.



**Mechanical timer\*:** Used for determining the period for cooking in the oven. When adjusted time is expired, power to heaters is turned off and an audible warnig signal is emitted. Mechanical timer can be adjusted to desired period between 0-90 minutes. For cooking periods, see cooking tables.

## USING OVEN SECTION

### Using Oven Heating Elements

1. When your oven is operated first time, an odor will be spread out which will be sourced from using the heating elements. In order to get rid of this, operate it at 240 °C for 45-60 minutes while it is empty.
2. Oven control knob should be positioned to desired value; otherwise oven does not operate.
3. Kinds of meals, cooking times and thermostat positions are given in cooking table. The values given in the cooking table are characteristic values and were obtained as a result of the tests performed in our laboratory. You can find different flavors suitable for your taste depending on your cooking and using habits.
4. You can make chicken revolving in your oven by means of the accessories.
5. Cooking times: The results may change according to the area voltage and material having different quality, amount and temperatures.
6. During the time when cooking is being performed in the oven, the lid of the oven should not be opened frequently. Otherwise circulation of the heat may be imbalanced and the results may change.

## Using The Grill

1. When you place the grill on the top rack, the food on the grill shall not touch the grill.
2. You can preheat for 5 minutes while grilling. If necessary, you may turn the food upside down.
3. Food shall be in the center of the grill to provide maximum air flow through the oven.

### To turn on the grill;

1. Place the function button over the grill symbol.
2. Then, set it to the desired grill temperature.

### To turn the grill off;

Set the function button to the off position.

**WARNING:** Keep the oven door closed while grilling.

## Using The Chicken Roasting \*

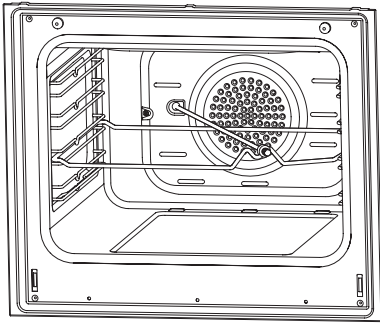


Figure 1

Place the spit on the frame. Slide turn spit frame into the oven at the desired level. Locate a dripping pan through the bottom in order to collect the fat. Add some water in dripping pan for easy cleaning. Do not forget to remove plastic part from spit. After grilling, screw the plastic handle to the skewer and take out the food from oven.

## Using Cooker Section

### Using And Description Of Hob Section For Vitroceramic

	Level 1	Level 2	Level 3	Level 4	Level 5	Level 6	Level 7	Level 8	Level 9	Max.
140 mm Commutator	130 W	206 W	350 W	500 W	850 W	1200 W	---	---	---	---
180 mm Commutator	180 W	470 W	790 W	850 W	1230 W	1700 W	---	---	---	---
180 mm Regulator	1800 W	1800 W	1800 W	1800 W	1800 W	1800 W	1800 W	1800 W	1800 W	---
140/250 mm	1000 W	1000 W	1000 W	1000 W	1000 W	1000 W	1000 W	1000 W	1000 W	1800 W
120/180 mm Dual Hilight	700 W	700 W	700 W	700 W	700 W	700 W	700 W	700 W	700 W	1700 W

**1.** You operate the hob with the ring switches on the control panel of oven. This switch regulates the energy in order to reach desired temperature set by you.

**2.** In order to have a good cooking result from the hob, the pans bottom should be as thick and flat as possible.

**3.** Bottom of pans and cooking zones should be the same size. If possible, always place lids on the pans. Always place cookware on the cooking zone before it is switched on. Switch cooking zones off before the end of the cooking time, to take advantage of residual heat.

**4.** Turn the knob to clockwise for starting to operate. Temperature set up by the knob position on the line gradually increasing up to max. (Single zone)

**5.** For dual cooking zone the first ring operating like single zone; second ring starts to operate after extra turning by some more force to clock wise on the "max" region end of the ring sign. When you turn to counter clock wise, the first ring will operate as maximum range and the second ring's power will reduce up to you desire temperature.

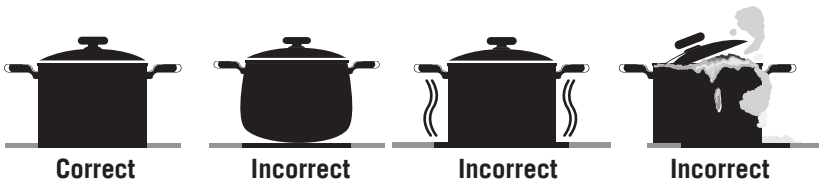
## Using Hot Plates

	Level 1	Level 2	Level 3	Level 4	Level 5	Level 6
80 mm	200 W	250 W	450 W	---	---	---
145 mm	250 W	750 W	1000 W	---	---	---
180 mm	500 W	750 W	1500 W	---	---	---
145 mm rapid	500 W	1000 W	1500 W	---	---	---
180 mm rapid	850 W	1150 W	2000 W	---	---	---
145 mm	95 W	155 W	250 W	400 W	750 W	1000 W
180 mm	115 W	175 W	250 W	600 W	850 W	1500 W
145 mm rapid	135 W	165 W	250 W	500 W	750 W	1500 W
180 mm rapid	175 W	220 W	300 W	850 W	1150 W	2000 W
220 mm	220 W	350 W	560 W	910 W	1460 W	2000 W

1. Electric hotplates have standard of 6 temperature levels. (as describe herein above)

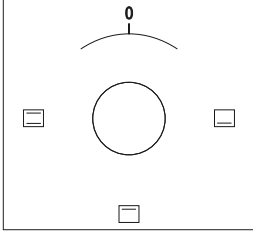
2. When using first time, operate your electric hotplate in position 6 for 5 minutes. This will make the agent on your hotplate which is sensitive to heat get hardened by burning.

3. Use flat bottomed saucepans which fully contact with the heat as much as you can, so that you can use the energy more productively.





## PROGRAM TYPES



**Function Button:** Used for determining the heaters to be used for cooking the dish to be cooked in the oven. Heater program types in this button and their functions are described below. All heater types and program types consisting of these heaters may not be available at all models.

	Turnspit		Fan
	Top + Bottom heating element		Turbo heating + Fan
	Lamp		Bottom + Top heating elements + Fan
	Bottom heating element + Fan		Grill heating element + Fan
	Grill heating element		Grill burner / Grill heating element
	Grill heating element + Lamp		Top heating element
	Electrical timer		Oven burner / Bottom heating element

**WARNING:** All heater types and program types consisting of these heaters may not be available at all models.

## COOKING TIME TABLE

**WARNING:** Oven must be preheated for 10 minutes before placing the food in it.

Foods	Cooking Function	Temperature (°C)	Rack Position	Cooking Duration (min.)
Cake (Tray / Mold)	Static / Static+fan	170-180	2	35-45
Small cakes	Static / Turbo+fan	170-180	2	25-30
Patty	Static / Static+fan	180-200	2	35-45
Pastry	Static	180-190	2	25-30
Cookie	Static	170-180	3	20-25
Apple pie	Static / Turbo+fan	180-190	2	50-70
Sponge cake	Static	200/150 *	2	20-25
Pizza	Static+fan	180-200	3	20-30
Lasagna	Static	180-200	2	25-40
Meringue	Static	100	2	60
Chicken	Static+fan / Turbo+fan	180-190	2	45-50
Grilled chicken **	Grill	200-220	4	25-30
Grilled fish **	Grill+fan	200-220	4	25-30
Sirloin steak **	Grill+fan	Max.	4	15-20
Grilled meat balls **	Grill	Max.	4	20-25

\* Without pre-heating. Half of the cooking should be 200 °C and then second half should be 150 °C.

\*\* During the half of cooking, meal should be turned around.

## MAINTENANCE AND CLEANING

1. While oven is operating or shortly after it starts operating, it is extremely hot. You must avoid touching from heating elements.
2. Never clean the interior part, panel, lid, trays and all other parts of the oven by the tools like hard brush, cleaning mesh or knife. Do not use abrasive, scratching agents and detergents.
3. After cleaning the interior parts of the oven with a soapy cloth, rinse it and then dry thoroughly with a soft cloth.
4. Clean the glass surfaces with special glass cleaning agents.
5. Do not clean your oven with steam cleaners.
6. Before opening the upper lid of the oven, clean spilled liquid off the lid. Also, before closing the lid, ensure that the cooker table is cooled enough.
7. Never use inflammable agents like acid, thinner and gasoline when cleaning your oven.
8. Do not wash any part of your oven in dishwasher.
9. In order to clean the front glass lid of the oven; remove the fixing screws fixing the handle by means of a screwdriver and remove the oven door. Than clean and rinse it thoroughly. After drying, place the oven glass properly and re-install the handle.

## Installation Of The Oven Door

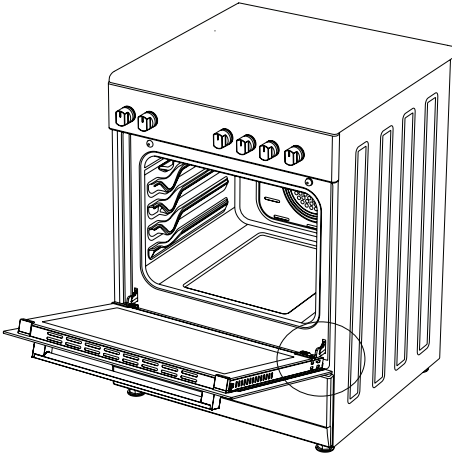


Figure 2

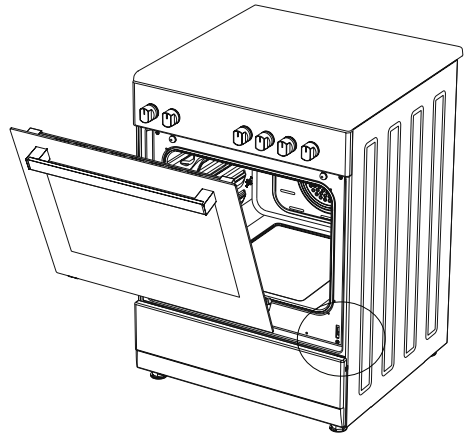


Figure 3

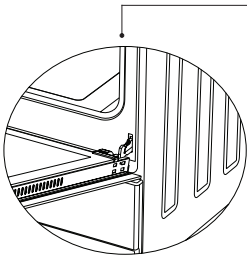


Figure 2.1

Completely open the oven door by pulling it to yourself. Afterwards, perform the unlocking process by pulling the hinge lock upwards with the help of a screw driver as shown in **figure 2.1**.

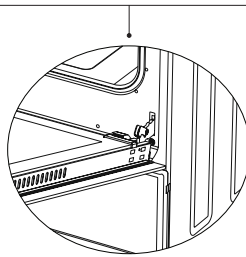


Figure 2.2

Bring the hinge lock to the widest angle as shown in **figure 2.2**. Bring both hinges connecting the oven door to the oven to the same position.

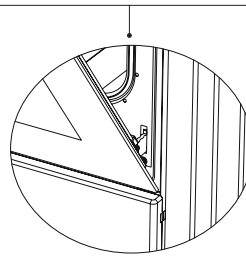


Figure 3.1

Afterwards, close the oven door as to lean on the hinge lock as shown in **figure 3.1**.

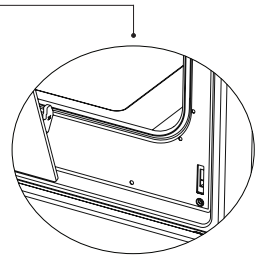


Figure 3.2

To remove the oven door, pull it upwards by holding it with both hands when close to the closed position as shown in **figure 3.2**.

In order to re-place the oven door, perform the abovementioned steps in reverse.

## Cleaning And Maintenance Of The Oven's Front Door Glass

Remove the profile by pressing the plastic latches on both left and right sides as shown in figure 4 and pulling the profile towards yourself as shown in figure 5. Then remove the inner-glass as shown in figure 6. If required, middle glass can be removed in the same way. After cleaning and maintenance are done, remount the glasses and the profile in reverse order. Make sure the profile is properly seated in its place.

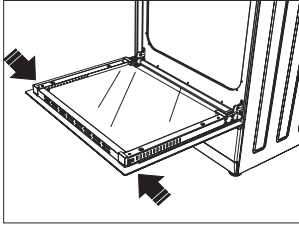


Figure 4

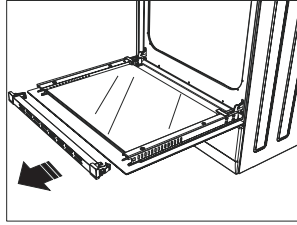


Figure 5

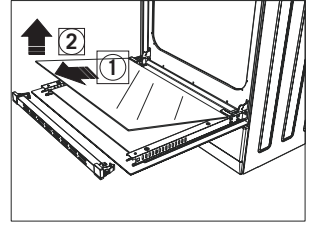


Figure 6

## Catalytic Walls \*

Catalytic walls are located on the left and the right side of cavity under the guides. Catalytic walls banish the bad smell and obtain the best performance from the cooker. Catalytic walls also absorb oil residue and clean your oven while it's operating.

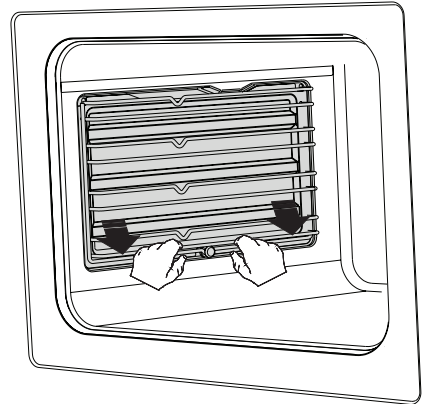
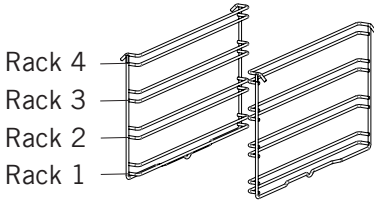


Figure 7

## Removing the catalytic walls

In order to remove the catalytic walls; the guides must be pulled out. As soon as the guides are pulled out, the catalytic walls will be released automatically. The catalytic walls must be changed after 2-3 years.

## Rack Positions



It is important to place the wire grill into the oven properly. Do not allow wire rack to touch rear wall of the oven. Rack positions are shown in the next figure. You may place a deep tray or a standard tray in the lower and upper wire racks.

## Installing and removing wire racks

To remove wire racks, press the clips shown with arrows in the figure, first remove the lower, and then the upper side from installation location. To install wire racks; reverse the procedure for removing wire rack.

## Changing The Oven Lamp

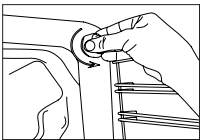
**WARNING:** To avoid electric shock, ensure that the appliance circuit is open before changing the lamp. (having circuit open means power is off) First disconnect the power of appliance and ensure that appliance is cold.

Remove the glass protection by turning as indicated in the figure on the left side. If you have difficulty in turning, then using plastic gloves will help you in turning.

Then remove the lamp by turning, install the new lamp with same specifications.

Reinstall glass protection, plug the power cable of appliance into electrical socket and complete replacement. Now you can use your oven.

### Type G9 Lamp



220-240 V, AC  
15-25 W

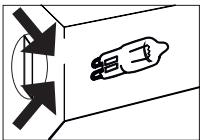
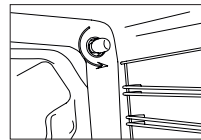


Figure 8

### Type E14 Lamp



220-240 V, AC  
15 W

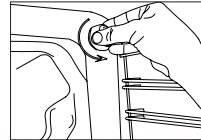


Figure 9

## Using The Grill Deflector Sheet \*

1. A safety panel is designed to protect control panel and the buttons when the oven is in grill mode. (figure 10)

2. Please use this safety panel in order to avoid the heat to damage control panel and the buttons when the oven is grill mode.

**WARNING:** Accessible parts may be hot when the grill in use. Young children should be kept away.

3. Place the safety panel under control panel by opening the oven front cover glass. (figure 11)

4. And then secure the safety panel in between oven and front cover by gently closing the cover. (figure 12)

5. It is important for cooking to keep the cover open in specified distance when cooking in grill mode.

6. Safety panel will provide an ideal cooking circumstance while protecting control panel and buttons.

**WARNING:** If the cooker has the “**closed grill functioned**” option with thermostat, you can keep the oven door closed during operation; in this case the grill deflector sheet will be unnecessary.

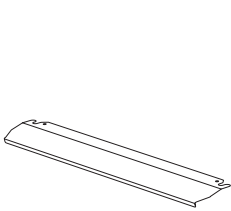


Figure 10

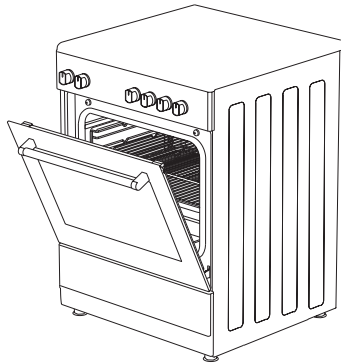


Figure 11

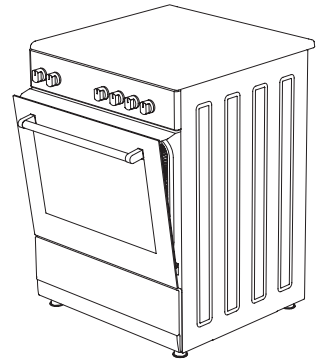


Figure 12

## TROUBLESHOOTING

You may solve the problems you may encounter with your product by checking the following points before calling the technical service.

### Check Points

In case you experience a problem about the oven, first check the table below and try out the suggestions.

Problem	Possible Cause	What to Do
<b>Oven does not operate.</b>	Power supply not available.	Check for power supply.
<b>Turns off during cooking.</b>	Too long continuous operation.	Let the oven cool down after long cooking cycles.
<b>Oven door is not opening properly.</b>	Food residues jammed between the door and internal cavity.	Clean the oven well and try to re-open the door.
<b>Electric shock when touching the oven.</b>	No proper grounding.	Make sure power supply is grounded properly.
	Ungrounded wall socket is used.	
<b>Water dripping.</b>	Water or steam may generate under certain conditions depending on the food being cooked. This is not a fault of the appliance.	Let the oven cool down and then wipe dry with a dishcloth.
<b>Steam coming out from a crack on oven door.</b>		
<b>Water remaining inside the oven.</b>		
<b>Smoke coming out during operation.</b>	When operating the oven for the first time	Smoke comes out from the heaters. This is not a fault. After 2-3 cycles, there will be no more smoke.
	Food on heater.	Let the oven to cool down and clean food residues from the heater.



<b>Problem</b>	<b>Possible Cause</b>	<b>What to Do</b>
<b>When operating the oven burnt or plastic odour coming out.</b>	Plastic or other not heat resistant accessories are being used inside the oven.	At high temperatures, use suitable glassware accessories.
<b>Oven does not heat.</b>	Oven door is open.	Close the door and restart.
	Oven controls not correctly adjusted.	Read the section regarding operation of the oven and reset the oven.
	Fuse tripped or circuit breaker turned off.	Replace the fuse or reset the circuit breaker. If this is repeating frequently, call an electrician.
<b>Oven does not cook well.</b>	Oven door is opened frequently during cooking.	Do not open oven door frequently, if the food you are cooking does not require turning. If you open the door frequently internal temperature drops and therefore cooking result will be influenced.
<b>Internal light is dim or does not operate.</b>	Foreign object covering the lamp during cooking.	Clean internal surface of the oven and check again.
	Lamp might be failed.	Replace with a lamp with same specifications.

## HANDLING RULES

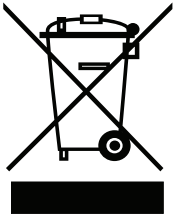
1. Do not use the door and/or handle to carry or move the appliance.
2. Carry out the movement and transportation in the original packaging.
3. Pay maximum attention to the appliance while loading/unloading and handling.
4. Make sure that the packaging is securely closed during handling and transportation.
5. Protect from external factors (such as humidity, water, etc.) that may damage the packaging.
6. Be careful not to damage the appliance due to bumps, crashes, drops, etc. while handling and transporting and not to break or deform it during operation.

## RECOMMENDATIONS FOR ENERGY SAVING

Following details will help you use your product ecologically and economically.

1. Use dark coloured and enamel containers that conduct the heat better in the oven.
2. As you cook your food, if the recipe or the user manual indicates that pre-heating is required, pre-heat the oven.
3. Do not open the oven door frequently while cooking.
4. Try not to cook multiple dishes simultaneously in the oven. You may cook at the same time by placing two cookers on the wire rack.
5. Cook multiple dishes successively. The oven will not lose heat.
6. Turn off the oven a few minutes before the expiration time of cooking. In this case, do not open the oven door.
7. Defrost the frozen food before cooking.

## ENVIRONMENTALLY-FRIENDLY DISPOSAL



Dispose of packaging in an environmentally-friendly manner.

This appliance is labelled in accordance with European Directive 2012/19/EU concerning used electrical and electronic appliances (waste electrical and electronic equipment - WEEE). The guideline determines the framework for the return and recycling of used appliances as applicable throughout to the EU.

## PACKAGE INFORMATION

Packaging materials of the product are manufactured from recyclable materials in accordance with our National Environment Regulations. Do not dispose of the packaging materials together with the domestic or other wastes. Take them to the packaging material collection points designated by the local authorities.

## Sehr geehrter verbraucher;

Unser ziel ist es gemäß dem gesamtqualitätssinnes ihnen ein erfolgreiches produkt zu gewährleisten, dass in einer anspruchsvollen atmosphäre und in modernen werken produziert wird.

Daher empfehlen wir ihnen vor der nutzung des produktes die gebrauchsanleitung sorgfältig zu lesen und aufzubewahren, damit sie diese bei bedarf wieder verwenden können.

**Bemerkung:** Diese gebrauchsanleitung wurde für mehrere ausführungen vorbereitet. Einige der in der anleitung aufgeführten eigenschaften können mit den eigenschaften ihres gerätes nicht übereinstimmen.

**Warnung:** Alle unsere geräte sind für den privaten gebrauch gedacht, nicht für eine kommerzielle verwendung.

Produkte, die mit (\*) markiert sind, sind optional.

**“Erfüllt die WEEE-Bestimmungen”**

## Inhalte

Wichtige sicherheitshinweise.....	38
Methoden zum schutz der glaskeramik kochfläche.....	49
Elektrik anschluss.....	50
Gerätebeschreibung.....	51
Zubehör.....	52
Technische daten.....	53
Installation ihres backofens.....	54
Kettenzurrung-abbildung.....	56
Steuertafel.....	56
Verwendung des backofenanschnitts.....	57
Verwendung des grills.....	58
Hühnchen-bratfunktion verwenden.....	58
Verwendung des kochfeldabschnitts.....	59
Programmtypen.....	61
Kochzeit-tabelle.....	62
Wartung und reinigung.....	63
Backofentürmontage.....	64
Reinigung und wartung der ofenglastür.....	65
Katalytische wände.....	65
Regalposition.....	66
Auswechseln der backofenlampe.....	66
Verwendung des grillabweiserblechs.....	67
Fehlerbehebung.....	68
Handhabungsregeln.....	70
Empfehlungen zur energiesparung.....	70
Umweltgerechte entsorgung.....	71
Verpackungsinformationen.....	71

## WICHTIGE SICHERHEITSHINWEISE

1. Installation und Reparatur sollten immer von einem „**AUTORISIERTEN SERVICE**“ durchgeführt werden. Der Hersteller haftet nicht für Operationen, die von unbefugten Personen durchgeführt werden.

2. Bitte lesen Sie diese Bedienungsanleitung sorgfältig durch. Nur so können Sie das Gerät sicher und korrekt benutzen.

3. Der Backofen sollte gemäß der Bedienungsanleitung benutzt werden.

4. Halten Sie Kinder unter 8 Jahren und Haustiere bei der Arbeit fern.

5. **WARNUNG: Die zugänglichen Teile können bei Verwendung des Grills heiß sein. Von Kindern fernhalten.**

6. **WARNUNG: Brandgefahr; lagern Sie die Materialien nicht auf der Kochfläche.**

7. **WARNUNG: Das Gerät und seine zugänglichen Teile werden bei der Verwendung heiß.**

8. Die Einstellungsbedingungen für dieses Gerät sind auf dem Etikett angegeben. (oder auf dem Typenschild)

9. Während der Verwendung können die zugänglichen Teile heiß sein. Kleinkinder sind von dem Gerät fernzuhalten.

10. **WARNUNG: Dieses Gerät ist zum Kochen bestimmt. Es darf keinesfalls für andere Zwecke, wie z. B. die Beheizung des Raums, verwendet werden.**

11. Verwenden Sie zum Reinigen des Geräts keine Dampfreiniger.

12. Stellen Sie sicher, dass die Backofentür vollständig geschlossen ist, nachdem Sie Lebensmittel in den Backofen gegeben haben.

13. Versuchen Sie NIEMALS das Feuer mit Wasser zu löschen. Schalten Sie nur den Geräteschaltkreis aus und decken Sie die Flamme dann mit einem Deckel oder einer Löschdecke ab.

14. Kinder unter 8 Jahren sollten ferngehalten werden, wenn sie nicht kontinuierlich überwacht werden können.

15. Das Berühren der Heizelemente sollte vermieden werden.

**16. VORSICHT: Der Kochvorgang muss überwacht werden. Der Kochvorgang muss immer überwacht werden.**

17. Dieses Gerät kann von Kindern über 8 Jahren, Menschen mit körperlichen, Hör- oder mentalen Problemen oder Menschen mit mangelnder Erfahrung oder Wissen verwendet werden; solange die Kontrolle gewährleistet ist oder Informationen über die Gefahren zur Verfügung gestellt werden.

18. Dieses Gerät ist ausschließlich zum Einsatz im Haushalt vorgesehen.

**19.** Kinder dürfen nicht mit dem Gerät spielen. Reinigung und Wartung dürfen nicht von Kindern durchgeführt werden, es sei denn, sie sind älter als 8 Jahre und werden von Erwachsenen beaufsichtigt.

**20.** Halten Sie das Gerät und den Netzkabel fern vom Zugang von Kindern unter 8 Jahren.

**21** Legen Sie Vorhänge, Tüll, Papier oder brennbares (zündfähiges) Material vom Gerät weg, bevor Sie das Gerät benutzen. Stellen Sie keine brennbaren Materialien auf bzw. in die das Gerät.

**22.** Halten Sie die Belüftungskanäle offen.

**23.** Das Gerät ist nicht für die Verwendung mit einem externen Timer oder einem separaten Fernbedienungssystem geeignet.

**24.** Geschlossen Dosen und Gläser nicht erhitzen. Der Druck kann dazu führen, dass Gläser explodieren.

**25.** Der Backofengriff ist kein Handtuchrockner. Hängen Sie keine Handtücher o.ä. auf den Backofengriff.

**26.** Stellen Sie die Backbleche, Platten oder Aluminiumfolien nicht direkt auf den Backofenboden. Die angesammelte Hitze kann den Backofenboden beschädigen.

**27.** Verwenden Sie hitzebeständige Backofenhandschuhe, wenn Sie Speisen in den Backofen legen oder aus dem Backofen nehmen.



**28.** Verwenden Sie das Produkt nicht in medizinischen und/oder unter Einfluss von Alkohol, der Ihre Urteilsfähigkeit beeinträchtigen könnten.

**29.** Seien Sie vorsichtig, wenn Sie Alkohol in Ihrem Essen verwenden. Alkohol verdampft bei hohen Temperaturen und kann Feuer fangen, wenn es mit heißen Oberflächen in Berührung kommt.

**30.** Überprüfen Sie nach jedem Gebrauch, ob das Gerät ausgeschaltet ist.

**31.** Wenn das Gerät defekt ist oder sichtbare Schäden aufweist, betreiben Sie das Gerät nicht.

**32.** Verwenden Sie das Gerät nicht, wenn das Vordertürglas entfernt oder gebrochen ist.

**33.** Legen Sie das Backpapier zusammen mit dem Essen in einen vorgeheizten Backofen, indem Sie es in einen Herd oder auf ein Backofenzubehör (Tablett, Grillrost usw.) stellen.

**34.** Stellen Sie keine Gegenstände auf das Gerät, die Kinder erreichen könnten.

**35.** Es ist wichtig, das Drahtgitter und das Tablett richtig auf den Drahtgestellen zu platzieren und/oder das Tablett richtig auf dem Gestell zu platzieren. Stellen Sie den Grill oder das Tablett zwischen zwei Schienen und stellen Sie sicher, dass es ausgewogen ist, bevor Sie Lebensmittel darauf legen.

**36.** Gegen das Risiko, die Backofenheizelemente zu berühren, entfernen Sie überschüssige Teile des Backpapiers, die vom Zubehör oder Behälter hängen.

**37.** Verwenden Sie das Gerät niemals bei höheren Backofentemperaturen als auf dem Backpapier angegeben. Stellen Sie das Backpapier nicht auf den Backofenboden.

**38.** Wenn die Tür offen ist, stellen Sie keine schweren Gegenstände auf die Tür oder lassen Sie keine Kinder darauf sitzen. Sie könnten den Backofen umkippen oder die Türscharniere beschädigen.

**39.** Die Verpackungsmaterialien stellen eine Gefahr für Kinder dar. Verpackungsmaterial von Kindern fernhalten.

**40.** Verwenden Sie keine Scheuermittel oder scharfe Metallschaber, um das Glas zu reinigen, da Kratzer auf der Oberfläche des Türglases zum Bruch des Glases führen können.

**41.** Glasflächen von Glaskeramikkochern dürfen nicht mit Hartmetall angegriffen werden, da der Widerstand beschädigt werden kann. Dies kann zu einem elektrischen Schlag führen.

**42.** Der Benutzer sollte den Backofen nicht alleine bedienen.

**43.** Bei der Reinigung von Gasbrennern ist Vorsicht geboten. Dies kann zu Verletzungen führen.

**44.** Lebensmittel können verschüttet werden, wenn der Fuß des Ofens demontiert oder zerbrochen wird, seien Sie vorsichtig. Dies kann zu Verletzungen führen.

**45.** Die obere Abdeckung des Backofens kann aus einem Grund geschlossen werden, sodass das Kochgeschirr runterfällt. Treten Sie zurück, um zu vermeiden, dass das warme Essen auf Sie zukommt. Es besteht Verbrennungsgefahr.

**46.** Der Benutzer sollte den Widerstand während der Reinigung nicht verschieben. Dies kann zu einem elektrischen Schlag führen.

**474.** Zündschalter nicht aus dem Gerät ziehen. Ansonsten sind stromführende Kabel zugänglich. Dies kann zu einem elektrischen Schlag führen.

**48.** Die Backofenzufuhr kann bei allen Bauarbeiten zu Hause unterbrochen werden. Nach Abschluss der Arbeiten muss der Backofen wieder von einem autorisierten Service angeschlossen werden.

**49.** Legen Sie keine Metallgegenstände wie Messer, Gabeln, Löffel oder Deckel auf die Oberfläche des Kochfeldes, da sie sehr heiß werden können.

**50.** Um Überhitzung zu vermeiden, sollte das Gerät nicht hinter einer dekorativen Abdeckung installiert werden.

**51.** Schalten Sie das Gerät aus, bevor Sie die Schutzvorrichtungen entfernen. Nach der Reinigung die Schutzvorrichtungen gemäß den Anweisungen installieren.

52. Kabelbefestigungspunkt muss geschützt sein.

**53. WARNUNG: Backofen- und Grillbrenner nicht gleichzeitig benutzen.**

54. Bitte kochen Sie das Essen nicht direkt auf dem Tablett / Gitter. Bitte legen Sie das Essen in oder auf geeignetes Werkzeug, bevor Sie es in den Ofen legen.

55. Heiße Oberfläche vor dem Schließen der Abdeckung abkühlen lassen.

**56. HINWEIS: Wenn das Glas des Ofens zerbrochen ist, schalten Sie jedes Heizelement sofort aus und trennen Sie das Gerät von der Stromquelle, berühren Sie nicht die Oberfläche des Geräts und benutzen Sie das Gerät nicht.**

## Elektrische Sicherheit

1. Lassen Sie eine geerdete Ausrüstung von einem autorisierten Elektriker installieren. Unsere Firma ist nicht verantwortlich für die Schäden, die entstehen, wenn das Produkt ohne Erdung gemäß den örtlichen Vorschriften verwendet wird.

2. Die Schutzschalter des Backofens müssen so angebracht werden, dass der Endbenutzer sie bei der Installation des Backofens erreichen kann.

3. Das Netzkabel darf die heißen Teile des Geräts nicht berühren.

4. Wenn das Netzkabel beschädigt ist, muss dieses Kabel vom Hersteller oder seinem Kundendienst oder einem ähnlich qualifizierten Personal ausgetauscht werden, um eine gefährliche Situation zu vermeiden.

5. Waschen Sie das Gerät niemals, indem Sie es mit Wasser bespritzen oder Wasser darauf gießen! Es besteht Stromschlaggefahr.

**6. WARNUNG: Stellen Sie vor dem Lampenwechsel sicher, dass der Stromkreis des Geräts offen ist, um Stromschläge zu vermeiden.**

**7. WARNUNG: Trennen Sie alle Versorgungskreisverbindungen, bevor Sie auf die Klemmen zugreifen.**

**8. WARNUNG: Wenn die Oberfläche gerissen ist, schalten Sie das Gerät aus, um die Gefahr eines Stromschlags zu vermeiden.**

**9.** Verwenden Sie keine anderen beschädigten Kabel oder Verlängerungskabel außer das Originalkabel.

**10.** Die Rückseite des Backofens erwärmt sich ebenfalls, wenn der Backofen betrieben wird. Elektrische Anschlüsse dürfen die Rückseite nicht berühren, da sonst die Anschlüsse beschädigt werden können.

**11.** Ziehen Sie die Anschlusskabel zur Backofentür nicht fest und führen Sie sie nicht über heiße Oberflächen. Wenn das Kabel schmilzt, kann dies zu einem Kurzschluss im Backofen und sogar zu einem Brand führen.

**12.** Sollte das Netzkabel beschädigt sein, muss es entweder durch den Hersteller oder den zuständigen Kundendienst bzw. eine ausreichend qualifizierte Fachwerkstatt ausgetauscht werden, um Gefahrensituationen zu vermeiden.

**13.** Verwenden Sie zur Reinigung des Geräts keine Dampfreiniger, da dies zu Stromschlägen führen kann.

**14.** Ein omnipolarer Schalter, der die Stromversorgung unterbrechen kann, ist für die Installation erforderlich. Die Trennung von der Stromversorgung muss mit einem Schalter oder einer integrierten Sicherung versehen sein, die gemäß der Bauvorschriften an der festen Stromversorgung installiert ist.



**15.** Das Gerät ist mit einem **Y-Kabel** ausgestattet.

**16.** Feste Verbindungen müssen an eine Stromversorgung angeschlossen werden, die eine allpolige Trennung ermöglicht. Bei Geräten mit einer Überspannungskategorie unter III muss die Trennvorrichtung gemäß dem Verdrahtungscode an die feste Stromversorgung angeschlossen werden.

## Verwendungszweck

1. Dieses Produkt ist für den Heimgebrauch bestimmt. Die kommerzielle Nutzung des Gerätes ist nicht gestattet.
2. Dieses Gerät darf nur zum Kochen verwendet werden. Es darf keinesfalls für andere Zwecke, wie z. B. die Beheizung des Raums, verwendet werden.
3. Dieses Gerät darf nicht zum Erhitzen von Platten unter dem Grill, zum Trocknen von Kleidung oder Handtüchern durch Aufhängen am Griff oder zu Heizzwecken verwendet werden.
4. Der Hersteller übernimmt keine Verantwortung für Schäden aufgrund von Fehlgebrauch oder falscher Handhabung.
5. Der Backofenteil des Geräts kann zum Auftauen, Rösten, Braten und Grillen von Speisen verwendet werden.
6. Die Lebensdauer des von Ihnen erworbenen Produkts beträgt 10 Jahre. Dies ist der Zeitraum, für den die für den Betrieb dieses Produkts erforderlichen Ersatzteile vom Hersteller zur Verfügung gestellt werden.



## Methoden zum Schutz der Glaskeramik-Kochfläche

Keramikglasoberfläche ist unzerbrechlich und bis zu einem gewissen Grad kratzfest. Um Schaden zu vermeiden, gehen Sie bitte wie folgt vor:

**1.** Gießen Sie niemals kaltes Wasser auf heiße Glaskeramikplatten.

**2.** Do not stand on a ceramic glass plate.

**3.** Plötzlicher Druck, beispielsweise der Effekt eines fallenden Salzstreuers, kann kritisch sein. Stellen Sie solche Gegenstände daher nicht über den Kochfeldern auf.

**4.** Stellen Sie nach jedem Gebrauch sicher, dass der Boden des Kochtopfs und die Oberflächen der Kochzonen sauber und trocken sind.

**5.** Schälen Sie kein Gemüse auf den Oberflächen des Kochfeldes. Sandkörner, die vom Gemüse fallen, können die Keramikglasplatte zerkratzen.

**6.** Legen Sie keine brennbaren Materialien wie Karton oder Plastik auf den Ofen. Gegenstände wie Zinn, Zink oder Aluminium (sowie Aluminiumfolien oder leere Kaffeekannen) können auf heißen Kochflächen schmelzen und so Schäden verursachen.

**7.** Achten Sie darauf, dass keine zuckerhaltigen Lebensmittel oder Fruchtsäfte die heißen Kochzonen berühren. Die Keramikglasoberfläche kann dadurch gefärbt werden.

## Elektrischer Anschluss

1. Ihr Backofen benötigt 40 Ampere Sicherungen entsprechend der Leistung des Geräts. Falls erforderlich, wird die Installation durch einen qualifizierten Elektriker empfohlen.

2. Ihr Backofen ist in Übereinstimmung mit 220-240V AC / 380-415V AC 50 / 60Hz eingestellt. Wenn das Netz von diesem angegebenen Wert abweicht, wenden Sie sich an Ihren autorisierten Kundendienst.

3. Der elektrische Anschluss des Backofens darf nur an den vorschriftsmäßig installierten Steckdosen mit Erdungssystem erfolgen. Wenn an der Stelle, an der der Backofen aufgestellt werden soll, keine geeignete Steckdose mit Erdungssystem vorhanden ist, wenden Sie sich sofort an einen qualifizierten Elektriker. Der Hersteller haftet niemals für die Schäden, die durch die an das Gerät ohne Erdungssystem angeschlossenen Steckdosen entstehen. Wenn die Enden des elektrischen Anschlusskabels offen sind, muss je nach Gerätetyp ein geeigneter Schalter im Stromnetz installiert werden, mit dem alle Enden beim Anschließen / Trennen vom / vom Stromnetz getrennt werden können.

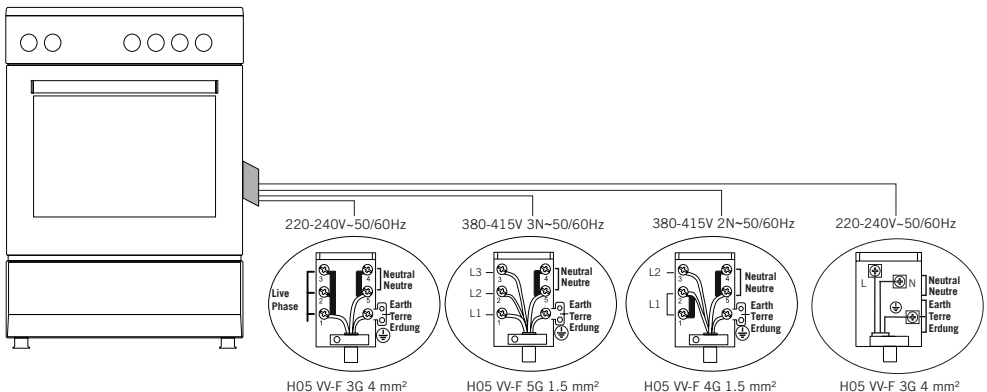
4. Wenn Ihr Stromversorgungskabel defekt wird, sollte es auf jeden Fall von einem autorisierten Kundendienst oder qualifizierten Elektriker ausgetauscht werden, um Gefahren zu vermeiden.

5. Das elektrische Kabel darf die heißen Teile des Geräts nicht berühren.

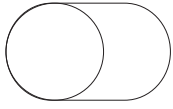
6. Bitte betreiben Sie Ihren Backofen in trockener Atmosphäre.

7. Wenn Sie Ihren Backofen an seinem Standort platzieren, stellen Sie sicher, dass es sich auf der Ebene der Arbeitsplatte befindet. Bringen Sie es auf die gleiche Höhe, indem Sie die Füße gegebenenfalls einstellen.

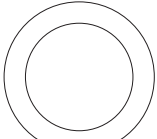
## Elektrische anschlüsse



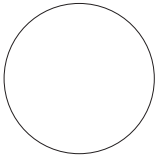
# GERÄTEBESCHREIBUNG



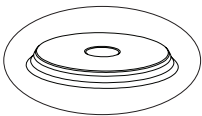
11



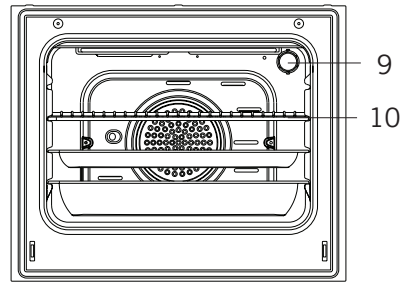
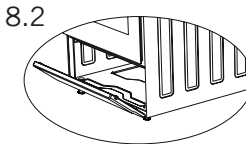
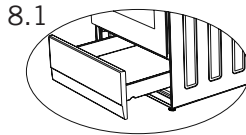
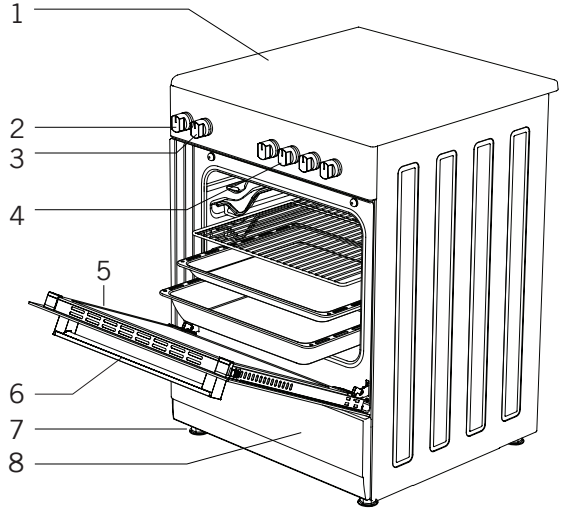
12



13



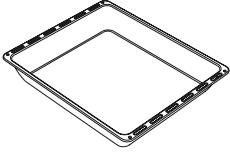
14



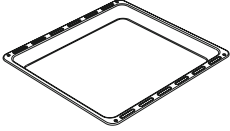
- 1. Obere glasplatte
- 2. Thermostatschalter
- 3. Steuerschalter für das ofen
- 4. Regler für glaskeramikkochfelder
- 5. Ofentür
- 6. Griff
- 7. Kunststofffuß
- 8. Untere schranktür
- 8.1. Schublade

- 8.2. Klapptür
- 9. Lampe
- 10. Grill
- 11. Keramische heizung (140 mm / 250 mm)
- 12. Keramische heizung (120 mm / 180 mm)
- 13. Keramische heizung (140 mm oder 180 mm)
- 14. Heiße platte (145 mm oder 185 mm)

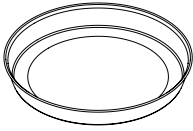
## Zubehör

**Tiefes Tablett \***

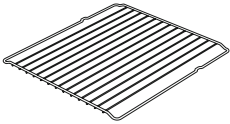
Für Feingebäck, große Braten, wässrige Lebensmittel. Kann auch als Sammelbehälter verwendet werden, wenn Sie Kuchen, gefrorene Lebensmittel oder Fischgerichte direkt auf dem Rost zubereiten.

**Tablett / Glas tablett \***

Für Feingebäck (kekse, biskuit usw.) gefrorene Lebensmittel.

**Rundes tablett \***

Für Feingebäck gefrorene Lebensmittel.

**Grillrost**

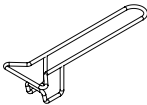
Zum Braten oder Erwärmen (gefrorener) Lebensmittel im gewünschten Einschub.

**Teleskopschiene \***

Bleche und Grillroste können dank der Teleskopschienen mühelos entfernt und installiert werden.

**Bratenrost \***

Das Bratenrost empfiehlt sich bei Lebensmitteln, die bei der Zubereitung anhaften, wie z. B. Steaks. Dadurch berühren die Lebensmittel nicht das darunter befindliche Blech und haften nicht an.

**Tablettgriff \***

Es wird verwendet, um heiße Tablett zu halten.

## Technische Daten

Spezifikationen	50x55	50x60	60x60
Äußere breite	500 mm	500 mm	600 mm
Äußere tiefe	565 mm	630 mm	630 mm
Äußere höhe	855 mm	855 mm	855 mm
Lampenleistung	15-25 W		
Bodenheizelement	1000 W	1000 W	1200 W
Oberes heizelement	800 W	800 W	1000 W
Turbo-heizelement	-----	1800 W	2200 W
Grillheizelement	1500 W	1500 W	2000 W
Versorgungsspannung	220-240V AC/380-415V AC 50/60 Hz		
Heiße platte 145 mm *	1000 W		
Heiße platte 180 mm *	1500 W		
Heizplatte schnell 145 mm *	1500 W		
Heizplatte schnell 180 mm *	2000 W		
Keramische heizung 140 mm *	1200 W		
Keramische heizung 180 mm *	1700 W / 1800 W		
Keramische heizung 140 mm / 250 mm *	1800 W		
Keramische heizung 120 mm / 180 mm *	1700 W		

**WARNUNG:** Für die Änderung, die von autorisierten Service durchgeführt werden sollte, sollte diese Tabelle berücksichtigt werden. Der Hersteller haftet nicht für Probleme, die aufgrund von fehlerhaften Änderungen auftreten.

**WARNUNG:** Um die Produktqualität zu erhöhen, können die technischen Daten ohne vorherige Ankündigung geändert werden.

**WARNUNG:** Die mit dem Gerät oder seinen Begleitdokumenten gelieferten Werte sind Laborwerte, die den jeweiligen Normen entsprechen. Diese Werte können je nach Einsatz und Umgebungsbedingungen abweichen.

## INSTALLATION IHRES BACKOFENS

Überprüfen Sie, ob die elektrische Installation geeignet ist, um das Gerät in den Betriebszustand zu bringen. Wenn die Strominstallation nicht geeignet ist, wenden Sie sich an einen Elektriker und einen Installateur, um die Versorgung nach Bedarf zu organisieren. Der Hersteller haftet nicht für Schäden, die durch Eingriffe von Unbefugten verursacht werden.

**WARNUNG:** Es liegt in der Verantwortung des Kunden, den Ort, an dem das Produkt platziert werden soll, vorzubereiten und die elektrische Installation vorzubereiten.

**WARNUNG:** Die Vorschriften in lokalen Normen für elektrische Installationen müssen während der Produktinstallation befolgt werden.

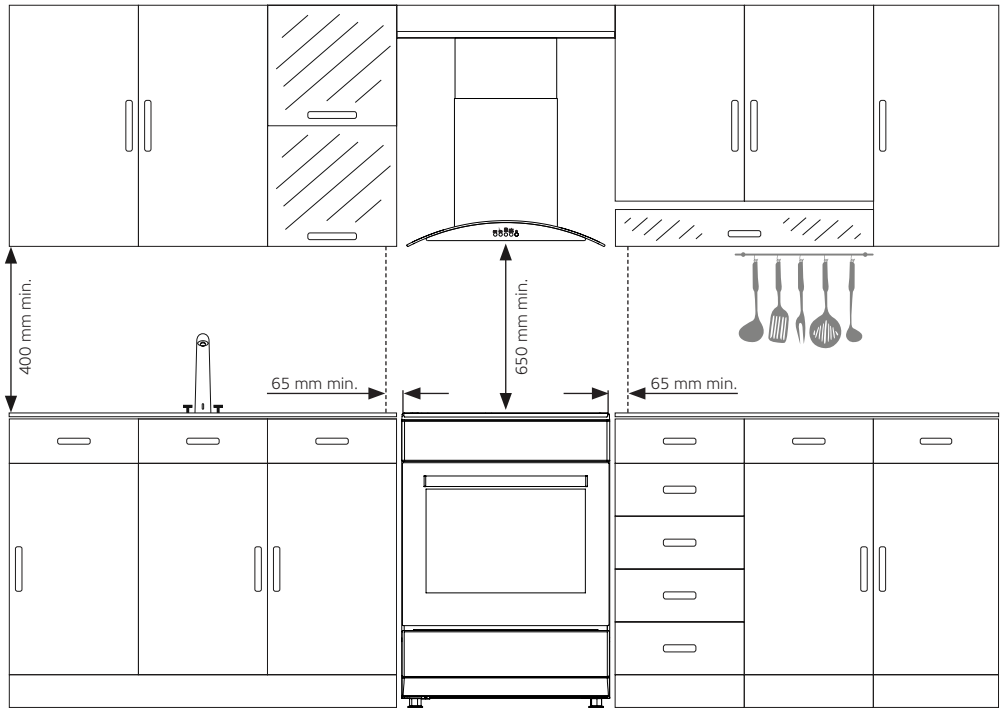
**WARNUNG:** Überprüfen Sie das Gerät vor der Installation auf Beschädigungen. Lassen Sie das Produkt nicht installieren, wenn es beschädigt ist. Beschädigte Produkte gefährden Ihre Sicherheit.

### Der richtige Ort für die Installation und wichtige Warnungen

Gerätefüße sollten nicht auf weichen Oberflächen wie Teppichen stehen. Der Küchenboden muss belastbar sein, um das Gewicht des Geräts tragen zu können, sowie alle anderen Küchenutensilien, die im Backofen verwendet werden können.

Das Gerät sollte mit einem Abstand von mindestens 400 mm über den oberen Flächen des Kochfeldes und 65 mm von den Seitenflächen eines Küchenmöbels entfernt verwendet werden.

Das Gerät ist für den Einsatz an beiden Seitenwänden, ohne Unterstützung oder ohne Einbau in einen Schrank geeignet. Wenn eine Abzugshaube oder ein Aspirator über dem Herd installiert wird, befolgen Sie die Anweisungen des Herstellers für die Montagehöhe. (min. 650 mm)

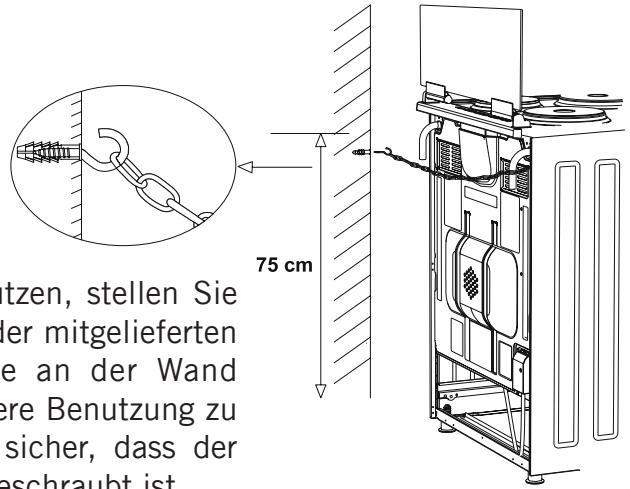


**WARNUNG:** Die Küchenmöbel in der Nähe des Gerätes müssen hitzebeständig sein.

**WARNUNG:** Installieren Sie das Gerät nicht neben Kühlschränken oder Kühlern. Die vom Gerät abgestrahlte Wärme erhöht den Energieverbrauch von Kühlgeräten.

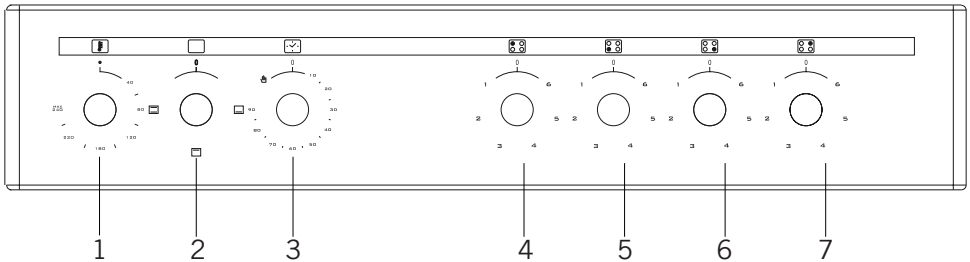
**WARNUNG:** Verwenden Sie die Tür und/oder den Griff nicht, um das Gerät zu tragen oder zu bewegen.

## Kettenzurrung-Abbildung



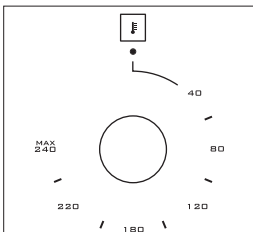
Bevor Sie das Gerät benutzen, stellen Sie sicher, dass das Gerät mit der mitgelieferten Kette und Hakenschraube an der Wand befestigt ist, um eine sichere Benutzung zu gewährleisten. Stellen Sie sicher, dass der Haken sicher in die Wand geschraubt ist.

## STEUERTAFEL



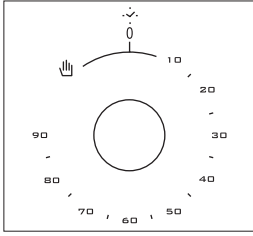
- |                                    |                                     |
|------------------------------------|-------------------------------------|
| 1 Thermostat                       | 5 Elektrischer Heizer vorne links   |
| 2 Funktionswahltaste               | 6 Elektrischer Heizer vorne rechts  |
| 3 Mechanischer timer *             | 7 Elektrischer Heizer hinten rechts |
| 4 Elektrischer Heizer hinten links |                                     |

**WARNUNG:** Die obige Steuertafel dient nur zu Illustrationszwecken. Berücksichtigen Sie das Bedienfeld auf Ihrem Gerät.



**Thermostat:** Wird zur Bestimmung der Kochtemperatur der im Backofen zu garenden Speise verwendet. Nachdem Sie das Gargut in den Backofen gelegt haben, drehen Sie den Schalter, um die gewünschte Temperatur zwischen 40-240°C. einzustellen. Für Kochtemperaturen von verschiedenen Lebensmitteln, siehe Kochtabelle.





**Mechanischer Timer\*:** Wird zur Bestimmung der Garzeit im Backofen verwendet. Wenn die eingestellte Zeit abgelaufen ist, wird die Stromversorgung der Heizer abgeschaltet und ein akustisches Warnsignal ausgegeben. Der mechanische Timer kann auf den gewünschten Zeitraum zwischen 0 und 90 Minuten eingestellt werden. Für Kochzeiten siehe Kochtabelle.

## VERWENDUNG DES BACKOFENANSCHNITTS

### Verwendung Von Backofenheizelementen

1. Wenn Ihr Ofen zum ersten Mal betrieben wird, wird ein Geruch ausgebreitet, der aus der Verwendung der Heizelemente stammt. Um dies zu vermeiden, betreiben Sie es bei 240 ° C für 45-60 Minuten, während es leer ist.

2. Der Backofenkontrollknopf sollte auf den gewünschten Wert eingestellt sein; Andernfalls funktioniert der Backofen nicht.

3. Die Arten der Mahlzeiten, die Kochzeiten und die Positionen des Thermostats sind in der Kochtabelle angegeben. Die in der Kochtabelle angegebenen Werte sind charakteristische Werte und wurden als Ergebnis der in unserem Labor durchgeführten Tests erhalten. Abhängig von Ihren Koch- und Essgewohnheiten finden Sie verschiedene Geschmacksrichtungen, die Ihrem Geschmack entsprechen.

4. Sie können das Hähnchen mit Hilfe des Zubehörs in Ihrem Backofen drehen lassen.

5. Kochzeiten: Die Ergebnisse können sich entsprechend der Flächen- spannung und des Materials mit unterschiedlicher Qualität, Menge und Temperatur ändern.

6. Während der Garzeit im Backofen sollte der Deckel des Ofens nicht häufig geöffnet werden. Andernfalls kann die Zirkulation der Wärme unausgeglichen sein und die Ergebnisse können sich ändern.

## Verwendung Des Grills

1. Wenn Sie den Grill auf das obere Regal stellen, darf das Grillgut den Grill nicht berühren.
2. Sie können beim Grillen 5 Minuten lang vorheizen. Wenn nötig, können Sie das Essen auf den Kopf stellen.
3. Die Lebensmittel müssen in der Mitte des Grills sein, um einen maximalen Luftstrom durch den Backofen zu gewährleisten.

### Um den Grill einzuschalten;

1. Platzieren Sie den Funktionsschalter über dem Grillsymbol.
2. Stellen Sie dann die gewünschte Grilltemperatur ein.

### Um den Grill auszuschalten;

Stellen Sie die Funktionstaste auf die Position „Aus“.

**WARNUNG:** Halten Sie die Backofentür beim Grillen geschlossen. (elektrischer Grill)

**WARNUNG:** Halten Sie die Backofentür beim Grillen offen. (Gasgrill)

### Hühnchen-Bratfunktion Verwenden \*

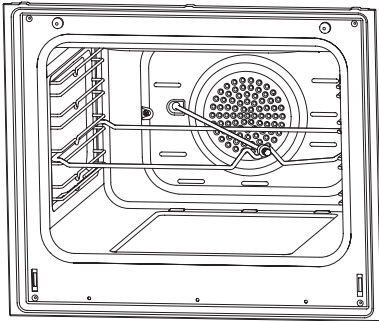


Abb. 1

Platzieren sie den spieß am rahmen. Schieben sie den drehspießrahmen auf der gewünschten höhe in den ofen. Platzieren sie die tropfschale zum aufsammeln von fett durch den boden. Geben sie zur einfacheren reinigung etwas wasser in die tropfschale. Vergessen sie nicht, den kunststoffteil vom spieß zu entfernen. Schrauben sie den kunststoffgriff nach dem grillen auf den spieß und nehme sie das gericht aus dem ofen.

## Verwendung Des Kochfeldabschnitts

### Gebrauch des glaskeramik kochfeldes

	Höhe 1	Höhe 2	Höhe 3	Höhe 4	Höhe 5	Höhe 6	Höhe 7	Höhe 8	Höhe 9	Max.
140 mm Kommutator	130 W	206 W	350 W	500 W	850 W	1200 W	---	---	---	---
180 mm Kommutator	180 W	470 W	790 W	850 W	1230 W	1700 W	---	---	---	---
180 mm Regler	1800 W	1800 W	1800 W	1800 W	1800 W	1800 W	1800 W	1800 W	1800 W	---
140/250 mm	1000 W	1000 W	1000 W	1000 W	1000 W	1000 W	1000 W	1000 W	1000 W	1800 W
120/180 mm Dual Hilight	700 W	700 W	700 W	700 W	700 W	700 W	700 W	700 W	700 W	1700 W

**1.** Mit den entsprechenden Bedienschaltern auf der Bedienblende können Sie die einzelnen Kochzonen einschalten. Achten Sie auf die zugeordneten Kochzonen. Die gewünschte Temperatur kann über den Thermostat- Regler stufenlos eingestellt werden. Mit dem Drehen der Schalter im Uhrzeigersinn kann die Temperatur bis zur max. Temperatur bei den einfachen Kochzonen eingestellt werden.

**2.** Für gute Koch- und Bratergebnisse empfehlen wir den Gebrauch von geeignetem Geschirr für Glaskeramik-Kochfelder. Die Größe des Kochgeschirrs sollte den Kochzonen angepasst sein.

**3.** Zur Energieeinsparung empfehlen wir Ihnen den Gebrauch von Deckeln für Töpfe und Pfannen.

**4.** Stellen Sie Ihr Geschirr auf die Kochzonen bevor Sie diese einschalten. Nutzen Sie die Restwärme der Heizungen und schalten Sie die Kochzonen vor Ende des Koch- und Backvorgangs ab.

**5.** Die Funktion der kleinen, runden Kocheinheiten sind wie die einfachen Kochzonen bis zur "max." Position zu bedienen. Durch Weiterdrehen des Schalters im Uhrzeigersinn wird über ein Schaltpunkt die zusätzliche Heizzone eingeschaltet. Mit dem Bedienschalter kann jetzt die Temperatur der Einheit eingestellt werden. Die Funktion wird beim Zurückdrehen auf die „0“- Position wieder gelöscht.

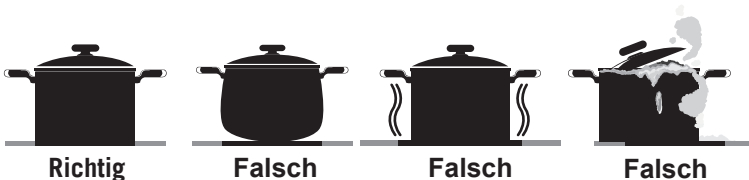
## Verwendung Der Heißen Platten

	Niveau 1	Niveau 2	Niveau 3	Niveau	Niveau 5	Niveau 6
80 mm	200 W	250 W	450 W	---	---	---
145 mm	250 W	750 W	1000 W	---	---	---
180 mm	500 W	750 W	1500 W	---	---	---
145 mm schnell	500 W	1000 W	1500 W	---	---	---
180 mm schnell	850 W	1150 W	2000 W	---	---	---
145 mm	95 W	155 W	250 W	400 W	750 W	1000 W
180 mm	115 W	175 W	250 W	600 W	850 W	1500 W
145 mm schnell	135 W	165 W	250 W	500 W	750 W	1500 W
180 mm schnell	175 W	220 W	300 W	850 W	1150 W	2000 W
220 mm	220 W	350 W	560 W	910 W	1460 W	2000 W

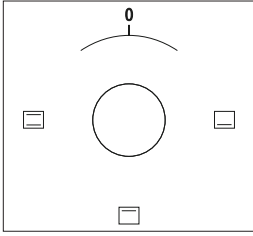
1. Elektrokochplatten haben standardmäßig 6 Temperaturstufen. (wie oben beschrieben)

2. Wenn Sie das Gerät zum ersten Mal benutzen, betreiben Sie Ihre elektrische Kochplatte 5 Minuten lang in Position 6. Dadurch wird das wärmeempfindliche Agent auf Ihrer Heizplatte durch Verbrennen gehärtet.

3. Verwenden Sie Kochtöpfe mit flachem Boden, die vollständig mit der Hitze in Kontakt kommen, so dass Sie die Energie produktiver nutzen können.



## PROGRAMMTYPEN



**Funktionstasten:** Wird zur Bestimmung der Heizerverwendet, die zum Garen der im Ofen zu garenden Speise verwendet werden. Die Heizprogrammtypen in dieser Taste und ihre Funktionen werden im Folgenden beschrieben. Alle Heizungsarten und Programmarten, die aus diesen Heizungen bestehen, sind möglicherweise nicht bei allen Modellen verfügbar.

	Drehspieß		Lüfter
	Heizelement Oben + Unten		Heizelement Turbo + Lüfter
	Leuchte		Heizelement Oben + Unten + Lüfter
	Heizelement Unten + Lüfter		Grillheizelement + Lüfter
	Grillheizelement		Grillheizelement
	Grillheizelement + Leuchte		Heizelement oben
	Elektro timer		Heizelement unten

**WARNUNG:** Alle Heizungsarten und Programmarten, die aus diesen Heizungen bestehen, sind möglicherweise nicht bei allen Modellen verfügbar.

## KOCHZEIT-TABELLE

**WARNUNG:** Der Ofen muss 10 Minuten vorgeheizt werden, bevor Sie Lebensmittel hineingeben.

Lebensmittel	Zubereitung Funktion	Zubereitungs Temperatur (°C)	Einschub	Zubereitungs Zeit (Min.)
Kuchen	Statik / Statik + Ventilator	170-180	2	35-45
Kleine kuchen	Statik / Turbo + Ventilator	170-180	2	25-30
Patty	Statik / Statik + Ventilator	180-200	2	35-45
Pastry	Statik	180-190	2	25-30
Plätzchen	Statik	170-180	3	20-25
Apfelkuchen	Statik / Turbo + Ventilator	180-190	2	50-70
Biskuitkuchen	Statik	200/150 *	2	20-25
Pizza	Statik + Ventilator	180-200	3	20-30
Lasagne	Statik	180-200	2	25-40
Baiser	Statik	100	2	60
Huhn	Statik + Ventilator / Turbo + Venti.	180-190	2	45-50
Gegrilltes hühnchen **	Grill	200-220	4	25-30
Fisch vom grill **	Grill + Ventilator	200-220	4	25-30
Lendensteak **	Grill + Ventilator	Max.	4	15-20
Gegrilltes fleisch balls **	Grill	Max.	4	20-25

\* Ohne Vorheizung. Die Hälfte des Kochens sollte 200 °C betragen und die zweite Hälfte sollte 150 °C betragen.

\*\* Während der Hälfte des Kochens sollte die Mahlzeit umgedreht werden.

## WARTUNG UND REINIGUNG

**1.** Während der Backofen in Betrieb ist oder kurz nachdem er in Betrieb ist, ist es extrem heiß. Sie müssen das Berühren von Heizelementen vermeiden.

**2.** Reinigen Sie das Innenteil, die Verkleidung, den Deckel, die Tablett und alle anderen Teile des Backofens niemals mit Werkzeugen wie harten Pinseln, Reinigungsgittern oder Messern. Verwenden Sie keine scheuernden, kratzenden Mittel und Reinigungsmittel.

**3.** Nach dem Reinigen der Innenteile des Backofens mit einem Seifenlappen, spülen Sie es aus und trocknen Sie es anschließend gründlich mit einem weichen Tuch ab.

**4.** Reinigen Sie die Glasflächen mit speziellen Glasreinigungsmitteln.

**5.** Reinigen Sie Ihren Backofen nicht mit Dampfreinigern.

**6.** Bevor Sie den oberen Deckel des Backofens öffnen, reinigen Sie die verschüttete Flüssigkeit vom Deckel. Stellen Sie vor dem Schließen des Deckels sicher, dass der Herdtisch ausreichend gekühlt ist.

**7.** Verwenden Sie niemals brennbare Substanzen wie Säure, Verdünner und Benzin, wenn Sie Ihren Backofen reinigen.

**8.** Waschen Sie keinen Teil Ihres Backofens in der Spülmaschine.

**9.** Um den vorderen Glasdeckel des Backofens zu reinigen; Entfernen Sie die Befestigungsschrauben, die den Griff mit einem Schraubendreher fixieren und entfernen Sie die Backofentür. Dann reinigen und gründlich abspülen. Nach dem Trocknen das Backofenglas richtig platzieren und den Griff wieder anbringen.

## Backofentürmontage

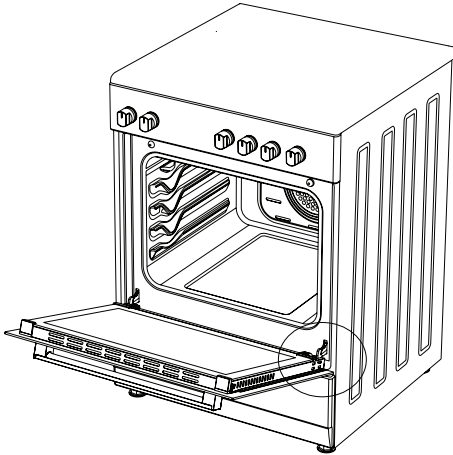


Abb. 2

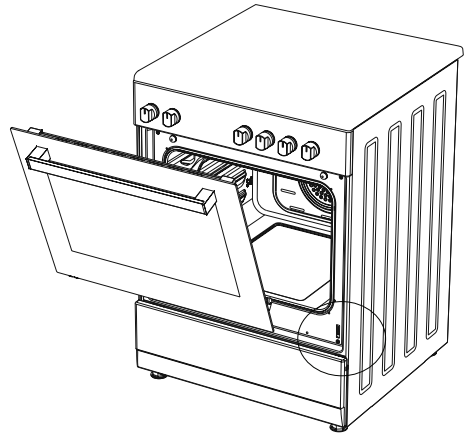


Abb. 3

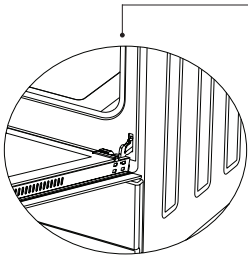


Abb. 2.1

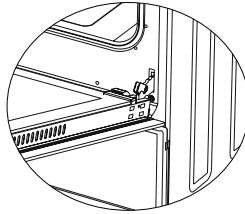


Abb. 2.2

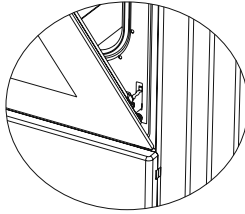


Abb. 3.1

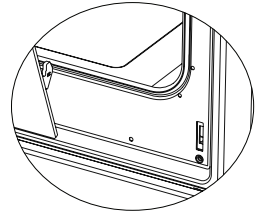


Abb. 3.2

Öffnen Sie die Backofentür bis zum Anschlag, indem Sie sie zu sich ziehen. Schieben Sie den Scharnierriegel wie auf **abb. 2.1** mithilfe des Schraubendrehers nach oben.

Bringen Sie den Scharnierriegel wie auf **abb. 2.2** in den größtmöglichen Winkel. Bringen Sie beide Scharniere, die die Backofentür mit dem Backofen verbinden, in die gleiche Position.

Schließen Sie die Backofentür anschließend wie auf **abb. 3.1**, bis sie den Scharnierriegel berührt.

Um die Tür auszuhängen, schließen Sie die Tür fast bis zum Anschlag, fassen Sie die Tür mit beiden Händen an und ziehen Sie sie wie auf **abb. 3.2** nach oben.

Um die Backofentür wieder einzusetzen, führen Sie die oben genannten Schritte in umgekehrter Reihenfolge durch.



## Reinigung Und Wartung Der Ofenglastür

Entfernen sie das profil, indem sie die kunststoffriegel auf der linken und rechten seite wie in abbildung 4 dargestellt eindrücken und das profil, wie in abbildung 5 zu sich ziehen. Entfernen sie die innere glasscheibe wie in abbildung 6 dargestellt. Falls erforderlich kann die mittlere glasscheibe auf die gleiche weise entfernt werden. Nach der reinigung und wartung montieren sie bitte glasscheiben und profil in umgekehrter reihenfolge wieder ein. Stellen sie sicher, dass das profil richtig fest sitzt.

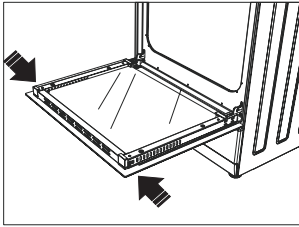


Abb.4

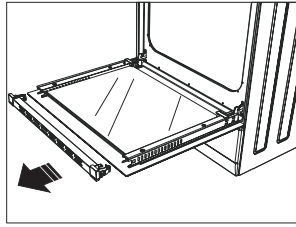


Abb.5

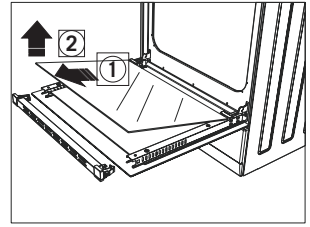


Abb.6

## Katalytische Wände \*

Die katalytischen wände befinden sich an der linken und rechten seite des garraums unter den schienen. Die katalytischen wände beseitigen unangenehme gerüche und sorgen für optimale leistung des gerätes. Außerdem absorbieren die katalytischen wände ölreste und reinigen ihren ofen im betrieb.

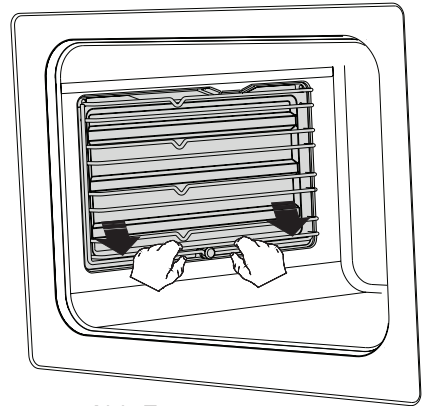
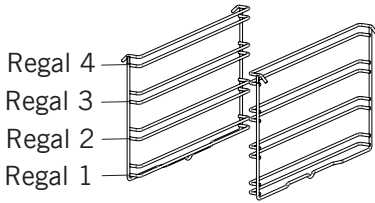


Abb.7

## Die katalytischen Wände entfernen

Zum entfernen der katalytischen wände müssen die schienen herausgezogen werden. Sobald sie die schienen herausgezogen haben, werden die katalytischen wände automatisch gelöst. Die katalytischen wände müssen alle 2 bis 3 jahre ausgewechselt werden.

## Regalposition



Es ist wichtig, den Drahtgrill richtig in den Backofen zu stellen. Vermeiden Sie, dass das Gitter die Rückwand des Backofens berührt. Regalpositionen sind in der nächsten Abbildung dargestellt. Sie können ein tiefes Fach oder ein Standardfach in die unteren und oberen Gitterregale legen.

## Drahtgitter installieren und entfernen

Um die Drahtgitter zu entfernen, drücken Sie auf die in der Abbildung gezeigten Pfeile, entfernen Sie zuerst die untere und dann die obere Seite vom Installationsort. Um Drahtgitter zu installieren; Führen Sie den Vorgang zum Entfernen des Drahtgitters um.

## Auswechseln Der Backofenlampe

**WARNUNG:** Vergewissern sie sich vor dem auswechseln der lampe, dass der stromkreis des gerätes offen ist, damit sie keinen stromschlag bekommen. (Ein offener stromkreis bedeutet, dass der strom abgeschaltet ist.)

Stellen sie zuerst den strom des gerätes ab und vergewissern sie sich, dass das gerät erkaltet ist.

Entfernen sie die glasabdeckung, indem sie sie, wie auf dem bild zu sehen, herausdrehen. Wenn sich die abdeckung nur schwer drehen lässt, nehmen sie plastikhandschuhe zu hilfe.

Drehen sie die lampe heraus und setzen sie Eine neue lampe mit den gleichen eigenschaften ein.

Setzen sie die glasabdeckung wieder ein und stecken sie den stecker des gerätes in die steckdose. Jetzt können sie ihren backofen wieder benutzen.

### Typ G9 Lampe



220-240 V, AC  
15-25 W

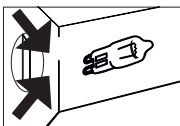
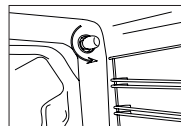


Abb. 8

### Typ E14 Lampe



220-240 V, AC  
15 W



Abb. 9

## Verwendung des Grillabweiserblechs \*

1. Eine Sicherheitsabdeckung schützt das Bedienfeld und die Tasten, wenn sich der Backofen im Grillmodus befindet. (abbildung 10)

2. Eine Sicherheitsabdeckung schützt das Bedienfeld und die Tasten, wenn sich der Backofen im Grillmodus befindet.

**WARNUNG:** Während der Verwendung des Grills können die zugänglichen Teile heiß sein. Kleinkinder sind fernzuhalten.

3. Stellen Sie die Sicherheitsabdeckung unter das Bedienfeld, indem Sie das Glas der Frontabdeckung öffnen. (abbildung 11)

4. Sichern Sie danach die Sicherheitsabdeckung zwischen Backofen und vorderer Abdeckung, indem Sie die Abdeckung vorsichtig schließen. (abbildung 12)

5. Beim Kochen im Grillmodus ist es wichtig, dass die Abdeckung in einem bestimmten Abstand geöffnet bleibt.

6. Die Sicherheitsabdeckung bietet ideale Kochbedingungen und schützt das Bedienfeld und die Tasten.

**WARNUNG:** Wenn der Herd die Option „Geschlossener Grill funktioniert“ mit Thermostat hat, können Sie die Backofentür während des Betriebs geschlossen halten; In diesem Fall wird das Grillabweiserblech nicht benötigt.

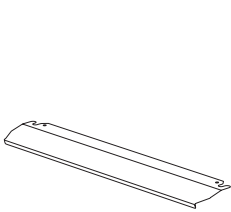


Abb. 10

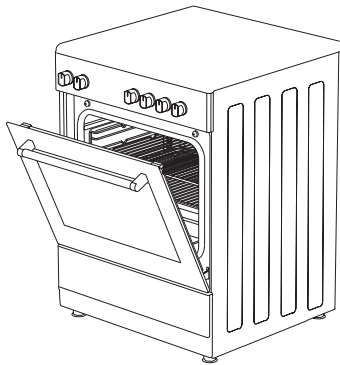


Abb. 11

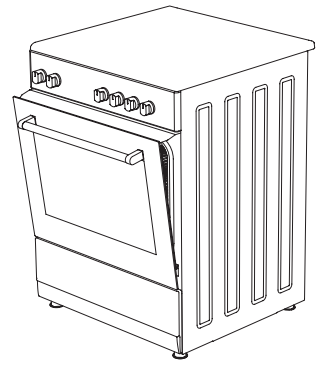


Abb. 12

## FEHLERBEHEBUNG

Sie können die Probleme, die bei Ihrem Produkt auftreten können, beheben, indem Sie die folgenden Punkte überprüfen, bevor Sie den technischen Service anrufen.

### Prüfpunkte

Wenn Sie ein Problem mit dem Backfen haben, prüfen Sie zuerst die Tabelle unten und probieren Sie die Vorschläge aus.

Problem	Mögliche ursache	Was ist zu tun
<b>Backofen funktioniert nicht.</b>	Stromversorgung nicht verfügbar.	Auf Stromversorgung prüfen.
<b>Schaltet während des Kochens aus.</b>	Zu langer Dauerbetrieb.	Lassen Sie den Backofen nach langen Garzyklen abkühlen.
<b>Backofentür öffnet nicht richtig.</b>	Essensreste klemmen zwischen der Tür und der inneren Höhle.	Den Backofen gut reinigen und versuchen, die Tür wieder zu öffnen.
<b>Stromschlag beim Berühren des Backofens.</b>	Keine ordnungsgemäße Erdung.	Stellen Sie sicher, dass die Stromversorgung ordnungsgemäß geerdet ist.
	Es wird eine nicht geerdete Steckdose verwendet.	
<b>Wasser tropft.</b>	Je nach Art des Garguts können unter bestimmten Bedingungen Wasser oder Dampf entstehen. Dies ist kein Fehler des Geräts.	Lassen Sie den Backofen abkühlen und trocknen Sie ihn mit einem Geschirrtuch ab.
<b>Aus einem Spalt an der Backofentür kommt Dampf heraus.</b>		
<b>Wasser bleibt im Backofen.</b>		
<b>Während des Betriebs tritt Rauch aus.</b>	Wenn Sie den Backofen zum ersten Mal benutzen	Rauch kommt aus den Heizern. Dies ist kein Fehler. Nach 2-3 Zyklen wird es keinen Rauch mehr geben.
	Essen auf dem Heizer.	Lassen Sie den Backofen abkühlen und reinigen Sie Speisereste von dem Heizer.

<b>Problem</b>	<b>Mögliche ursache</b>	<b>Was ist zu tun</b>
<b>Bei Betrieb des Backofens Brand- oder Kunststoffgeruch aus.</b>	Im Backofen werden Kunststoff oder andere nicht hitzebeständige Zubehörteile verwendet.	Verwenden Sie bei hohen Temperaturen geeignetes Zubehör für Glaswaren.
<b>Ofen erhitzt sich nicht.</b>	Backofentür ist offen.	Schließen Sie die Tür und starten Sie ihn erneut.
	Backofensteuerungen nicht richtig eingestellt.	Lesen Sie den Abschnitt über den Betrieb des Backofens und setzen Sie den Backofen zurück.
	Sicherung ausgelöst oder Schutzschalter ausgeschaltet.	Ersetzen Sie die Sicherung oder setzen Sie den Leistungsschalter zurück. Wenn sich dies häufig wiederholt, wenden Sie sich an einen Elektriker.
<b>Backofen kocht nicht gut.</b>	Die Ofentür wird während des Kochens häufig geöffnet.	Öffnen Sie die Backofentür nicht häufig. Wenn das Gargut nicht gedreht werden muss. Wenn Sie die Tür öfters öffnen, sinkt die Innentemperatur und das Kochergebnis wird beeinflusst.
<b>Das interne Licht ist schwach oder funktioniert nicht.</b>	Fremder Gegenstand bedeckt die Lampe während des Kochens.	Reinigen Sie die Innenfläche des Backofens und überprüfen Sie erneut.
	Die Lampe ist möglicherweise defekt.	Ersetzen Sie durch eine Lampe mit den gleichen Spezifikationen.

## **HANDHABUNGSREGELN**

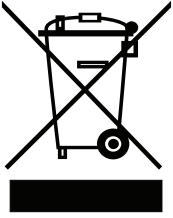
1. Verwenden Sie die Tür und/oder den Griff nicht, um das Gerät zu tragen oder zu bewegen.
2. Führen Sie das Tragen und den Transport in der Originalverpackung durch.
3. Achten Sie während des Ladens/Entladens und der Handhabung auf das Gerät.
4. Stellen Sie sicher, dass die Verpackung während der Handhabung und des Transports sicher verschlossen ist.
5. Vor äußeren Einflüssen (wie Feuchtigkeit, Wasser usw.) schützen, die die Verpackung beschädigen können.
6. Achten Sie darauf, dass das Gerät während der Handhabung und des Transports nicht durch Stöße, Stürze usw. und während des Betriebs nicht beschädigt wird.

## **EMPFEHLUNGEN ZUR ENERGIESPARUNG**

Die folgenden Angaben helfen Ihnen, Ihr Produkt ökologisch und ökonomisch zu nutzen.

1. Verwenden Sie dunkle Gefäße und Emailbehälter, die die Hitze im Backofen besser leiten.
2. Wenn Sie in der Rezeptur oder in der Bedienungsanleitung angeben, dass ein Vorheizen erforderlich ist, heizen Sie den Backofen vor.
3. Öffnen Sie die Ofentür während des Kochens nicht häufig.
4. Versuchen Sie nicht mehrere Gerichte gleichzeitig im Backofen zu garen. Sie können gleichzeitig kochen, indem Sie zwei Kocher auf das Drahtgitter platzieren.
5. Mehrere Gerichte nacheinander kochen. Der Backofen wird keine Wärme verlieren.
6. Schalten Sie den Backofen einige Minuten vor Ablauf der Garzeit aus. Öffnen Sie in diesem Fall die Backofen tür nicht.
7. Gefriergut vor dem Garen auftauen.

## UMWELTGERECHTE ENTSORGUNG



Bitte entsorgen sie verpackungen auf umweltfreundliche weise.

Dieses Gerät ist gemäß der Europäischen Richtlinie 2012/19/EU in Bezug auf gebrauchte elektrische und elektronische Geräte (Elektro-und Elektronik-Altgeräte -WEEE) gekennzeichnet. Die Richtlinie bestimmt den Gesetzesrahmen für die Rücknahme und Wiederverwertung von Altgeräten in der EU.

## VERPACKUNGSINFORMATIONEN

Die verpackungsmaterialien des gerätes wurden gemäß nationalen umweltschutzbestimmungen aus recyclingfähigen materialien Hergestellt. Entsorgen sie verpackungsmaterialien nicht über den Haus- oder anderen müll. Bringen sie sie zu den von örtlichen behörden zugewiesenen sammelstellen für verpackungsmaterialien.