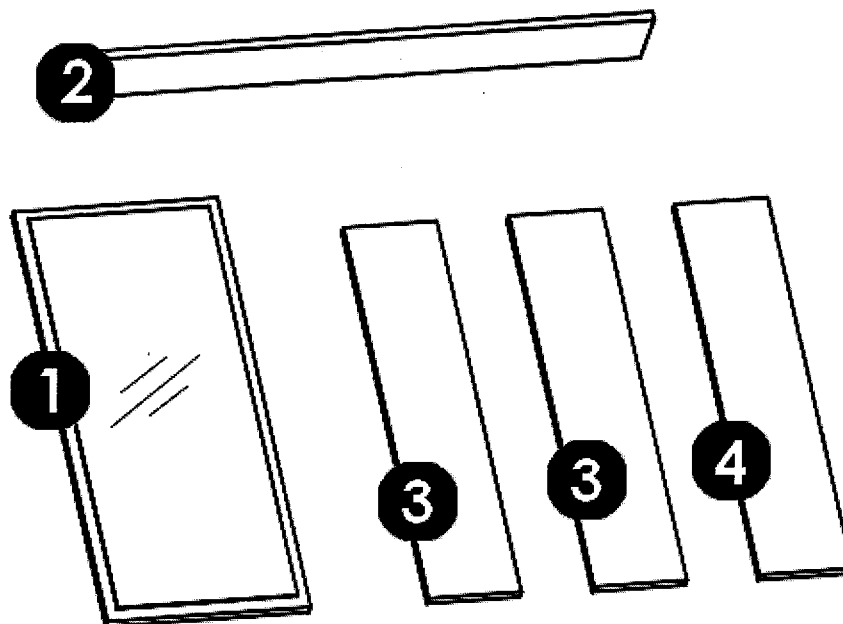
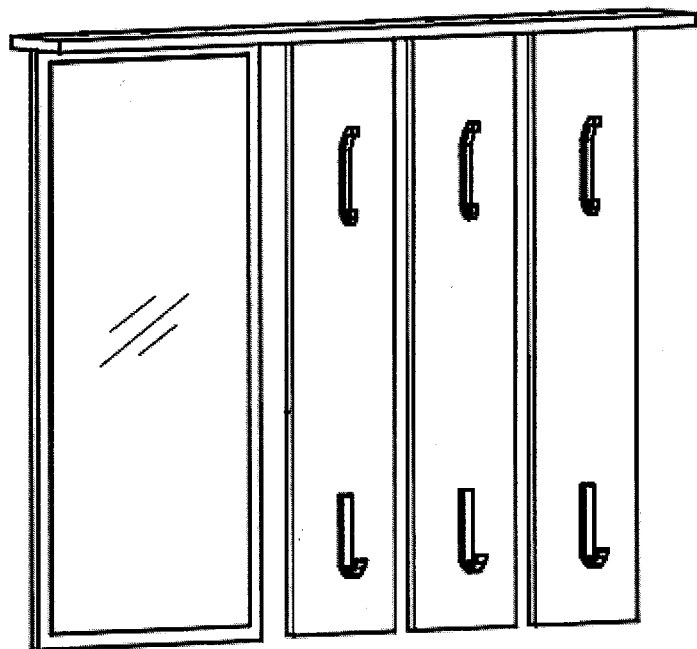





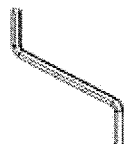


23.05.2019

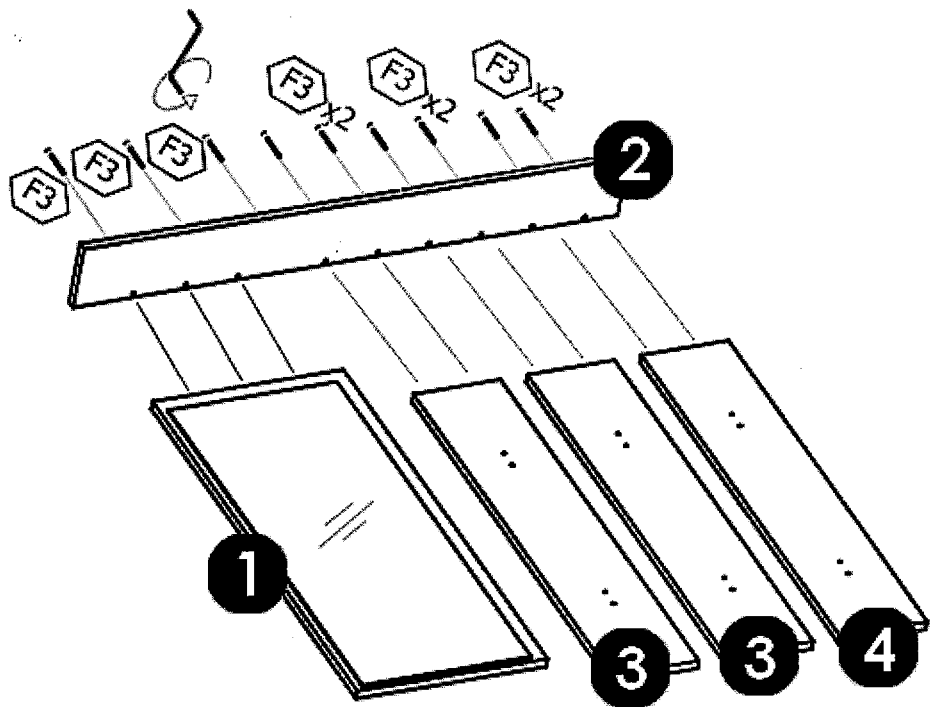
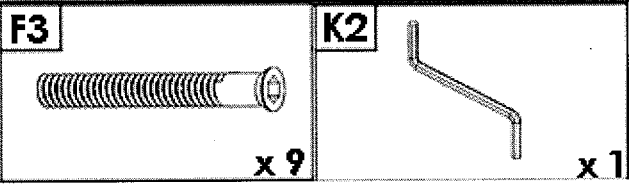
ROMA - PARMA



- 1 x 1
- 2 x 1
- 3 x 2
- 4 x 1

S3  x 12	F3  x 9	D12  x 2
L5  x 3	L6  x 3	K2  x 1

1



2

