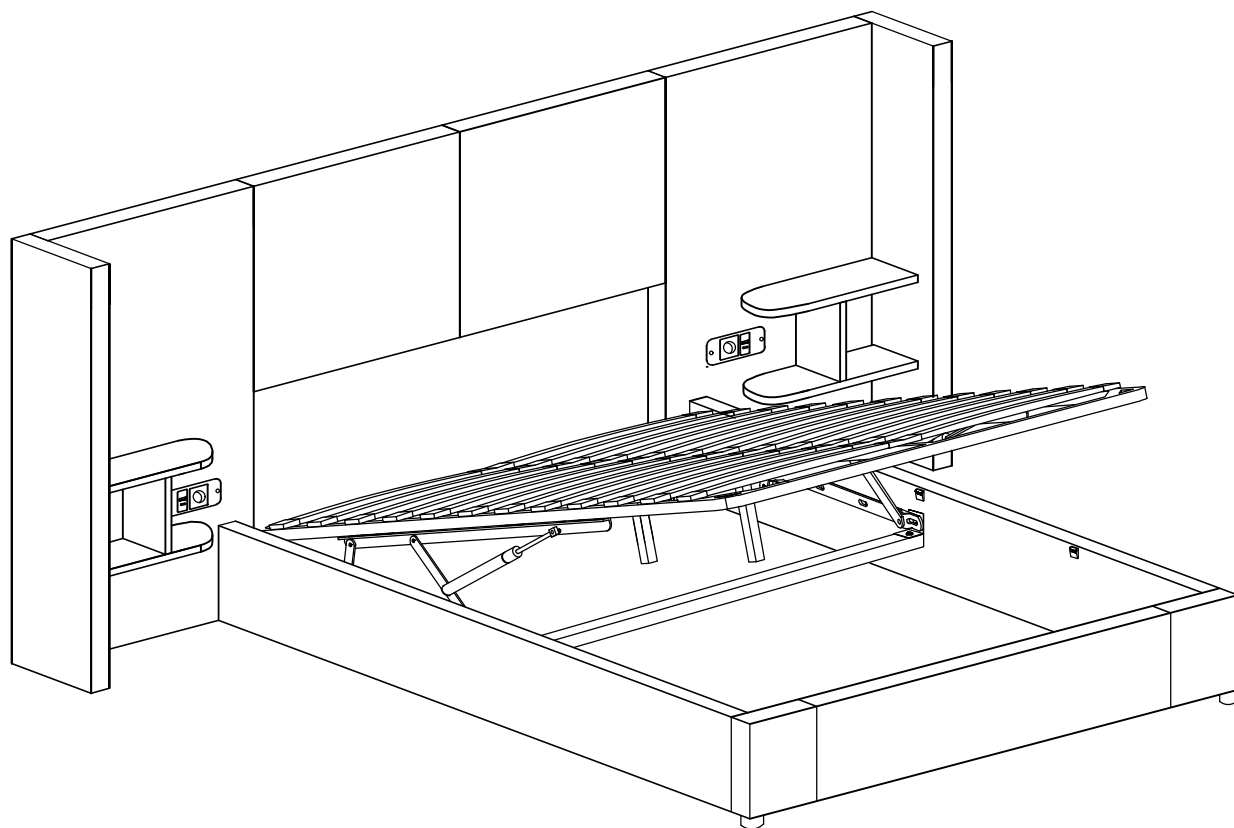


Installation sanleitung Installation Instruction Instruction d'installation



Unser Produkt wird Ihnen in 2 Paketen geliefert. Die Lieferzeiten dieser 2 Pakete können abweichen, bitte haben Sie etwas Geduld und vielen Dank für Ihr Verständnis.

Our product will be delivered to you in 2 packages. The delivery times of these 2 packages may differ, please be patient and thank you for your understanding.

Notre produit vous sera livré en 2 colis. Les délais de livraison de ces 2 colis peuvent différer, soyez patient et merci pour votre compréhension.

N634P197655 N634P197658 N634P197663
N634P197669 N634P197671 N634P197672



English

IMPORTANT FOR GAS LIFT BEDS&MAINTAINANCE

- Please place the mattress on top of the bed frame.
- Please do not pull on the strap handles.
- Please press heavily to release the compressed gas.
- Periodically check all screw & fixings to ensure they are secure.
- When moving your product, carefully lift into place.
- Wipe clean with a slightly damp cloth- please do not use abrasive chemicals or bleach.
- Do NOT allow children to operate the lift mechanism.
- Do NOT allow children near the lift base when operating the mechanism.
- Do NOT stand inside the bed or the internal storage base.
- Do NOT overload the internal storage base.
- DO NOT jump on the product or any of its parts.

Deutsch

WICHTIG FÜR GASLIFT-BETTEN&WARTUNG

- Bitte legen Sie die Matratze oben auf den Bettrahmen.
- Bitte ziehen Sie nicht an den Gurtgriffen.
- Bitte drücken Sie kräftig, um das komprimierte Gas freizusetzen.
- Überprüfen Sie regelmäßig alle Schrauben und Befestigungen, um sicherzustellen, dass sie sicher sind.
- Wenn Sie Ihr Produkt bewegen, heben Sie es vorsichtig an seinen Platz.
- Mit einem leicht feuchten Tuch abwischen - bitte keine scheuernden Chemikalien oder Bleichmittel verwenden.
- Erlauben Sie Kindern NICHT, den Hebemechanismus zu bedienen.
- Lassen Sie Kinder NICHT in die Nähe des Liftsockels, wenn Sie den Mechanismus bedienen.
- Stellen Sie sich NICHT in das Bett oder in die Innenablage.
- Überlasten Sie den internen Liftsockel NICHT.
- Springen Sie NICHT auf das Produkt oder eines seiner Teile.

Français

IMPORTANT POUR LES LITS À RELEVAGE DE GAZ&MAINTENANCE

- Veuillez placer le matelas sur le dessus du cadre de lit.
- Ne tirez pas sur les poignées de la sangle.
- Appuyez fortement pour libérer le gaz comprimé.
- Vérifiez régulièrement que toutes les vis et fixations sont bien en place.
- Lorsque vous déplacez votre produit, soulevez-le avec précaution pour le mettre en place.
- Nettoyez avec un chiffon légèrement humide - n'utilisez pas de produits chimiques abrasifs ou d'eau de Javel.
- Ne laissez pas les enfants utiliser le mécanisme de levage.
- Ne laissez pas les enfants s'approcher de la base de levage lorsqu'ils actionnent le mécanisme.
- Ne vous tenez PAS à l'intérieur du lit ou de la base de stockage interne.
- Ne surchargez pas la base de stockage interne.
- Ne pas sauter sur le produit ou l'une de ses parties.

Italiano

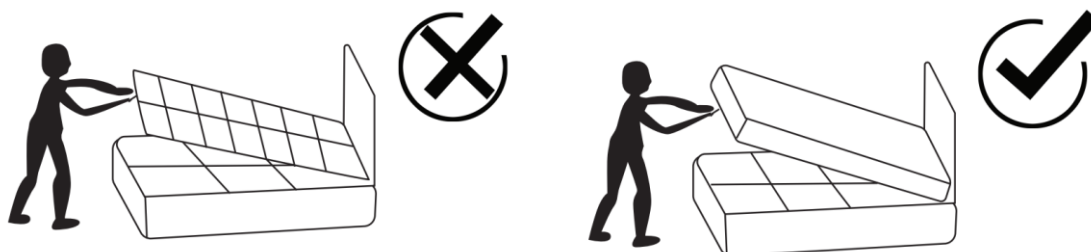
IMPORTANTE PER I LETTI CON SOLLEVAMENTO A GAS E LA MANUTENZIONE

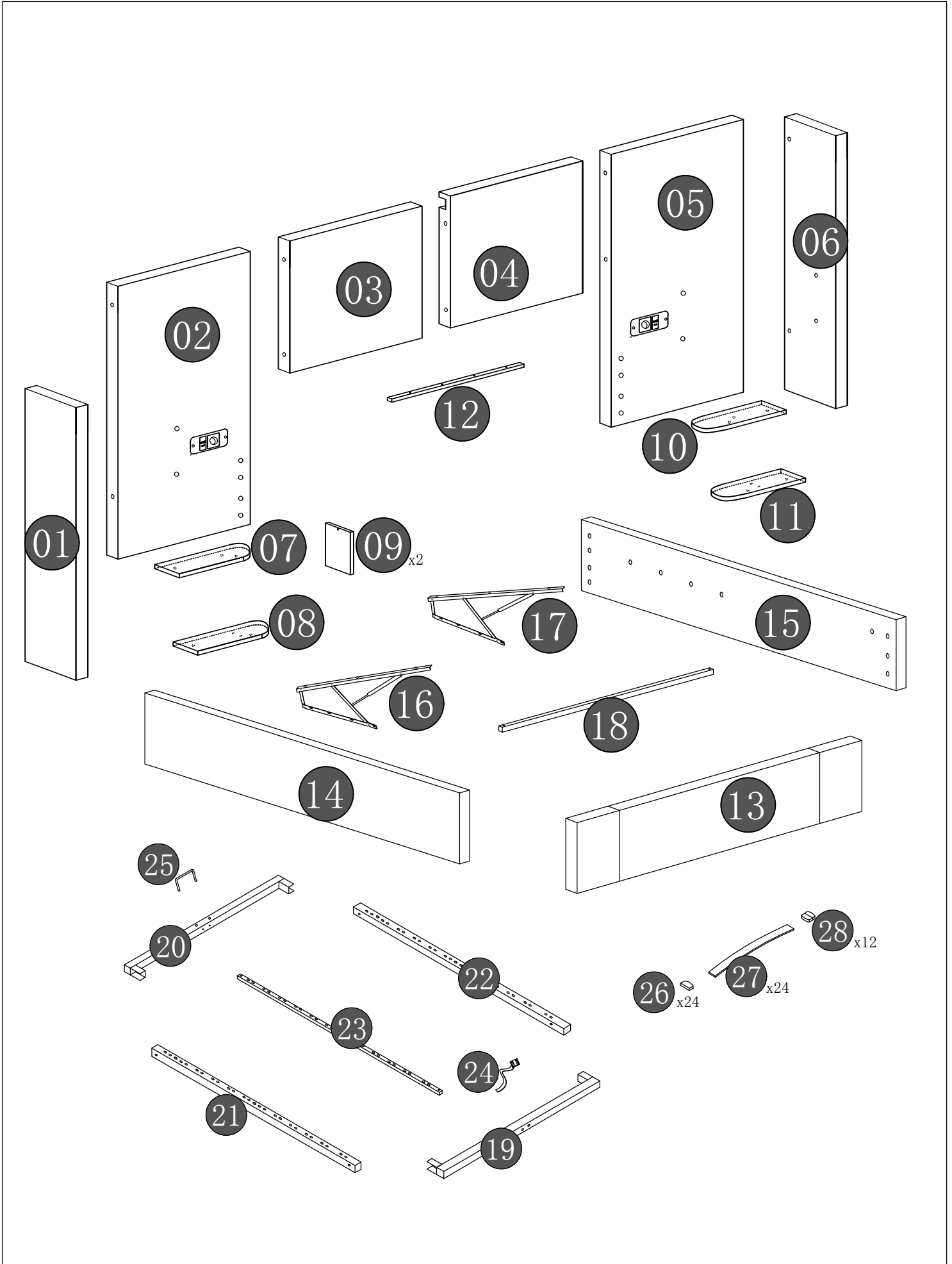
- Posizionare il materasso sopra la struttura del letto.
- Non tirare le maniglie della cinghia.
- Premere con forza per rilasciare il gas compresso.
- Controllare periodicamente tutte le viti e i fissaggi per assicurarsi che siano saldi.
- Quando si sposta il prodotto, sollevarlo con cautela.
- Pulire con un panno leggermente umido, senza usare prodotti chimici abrasivi o candeggina.
- NON permettere ai bambini di azionare il meccanismo di sollevamento.
- NON permettere ai bambini di avvicinarsi alla base di sollevamento quando si aziona il meccanismo.
- NON sostare all'interno del letto o della base di contenimento interna.
- NON sovraccaricare la base di contenimento interna.
- NON saltare sul prodotto o sulle sue parti.

Español

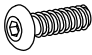
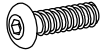
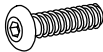
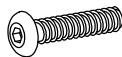
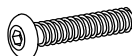
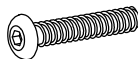
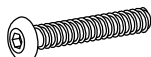
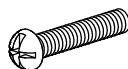

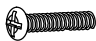
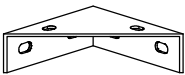
IMPORTANTE PARA LAS CAMAS ELEVADORAS DE GAS&MANTENIMIENTO


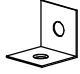
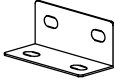
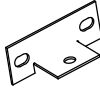
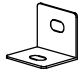

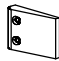
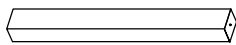

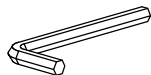
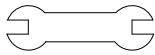

- Coloque el colchón sobre el somier.
- No tire de las asas de la correa.
- Presione con fuerza para liberar el gas comprimido.
- Compruebe periódicamente que todos los tornillos y fijaciones estén bien sujetos.
- Al mover el producto, levántelo con cuidado para colocarlo en su sitio.
- Limpie con un paño ligeramente humedecido; no utilice productos químicos abrasivos ni lejía.
- NO permita que los niños accionen el mecanismo de elevación.
- NO permita que los niños se acerquen a la base elevadora cuando accionen el mecanismo.
- NO se ponga de pie dentro de la cama o de la base de almacenamiento interna.
- NO sobrecargue el somier.
- NO salte sobre el producto ni sobre ninguna de sus piezas.



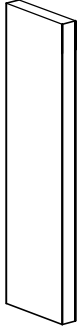
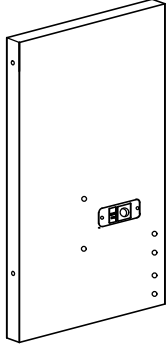
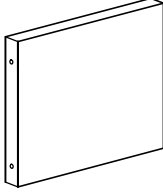
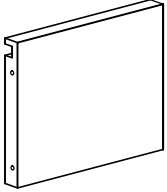
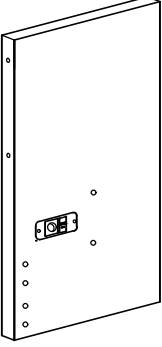
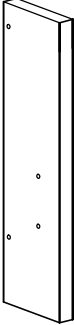
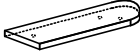
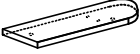

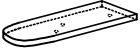
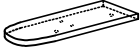


N634P197663
N634P197672

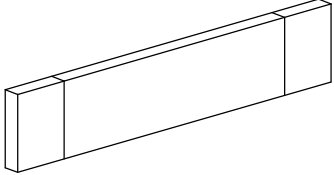
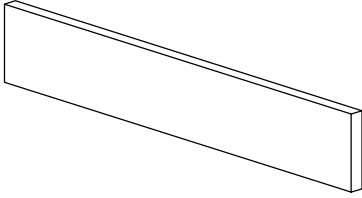
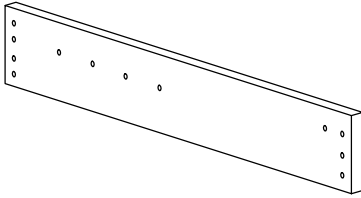


A	 8*15	24
B	 8*20	38
C	 8*25	4
D	 8*35	4
E	 8*40	2
F	 8*45	6
G	 8*50	4
H	 8*40	12
I	 3.5*20	12
J	 4*25	4
K		2

L		15
M		2
N		6
O		2
P		10
Q	 2.5cm	2
R		6
S	 24.5cm	3
T		4
U		1
V		1
W		1

N634P197655 N634P197669

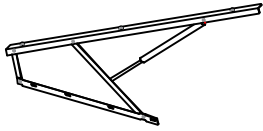
<p>① x1</p> 	<p>② x1</p> 	<p>③ x1</p> 	<p>④ x1</p> 
<p>⑤ x1</p> 	<p>⑥ x1</p> 	<p>⑦ x1</p> 	<p>⑧ x1</p> 
<p>⑨ x2</p> 	<p>⑩ x1</p> 	<p>⑪ x1</p> 	

N634P197658 N634P197671

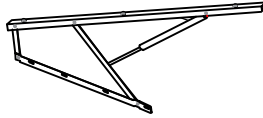
<p>⑬ x1</p> 	<p>⑭ x1</p> 	<p>⑮ x1</p> 
<p>⑳ x24</p> 	<p>㉘ x12</p> 	

N634P197663 N634P197672

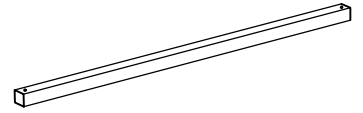
①⑥ x1



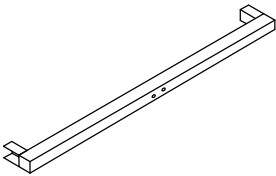
①⑦ x1



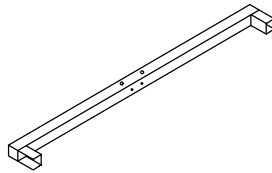
①⑧ x1



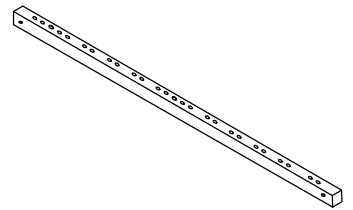
①⑨ x1



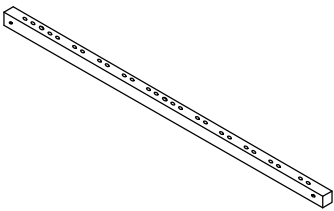
②⑩ x1



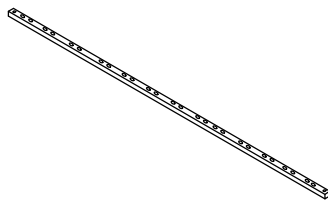
②① x1



②② x1



②③ x1



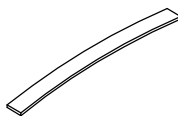
②④ x1



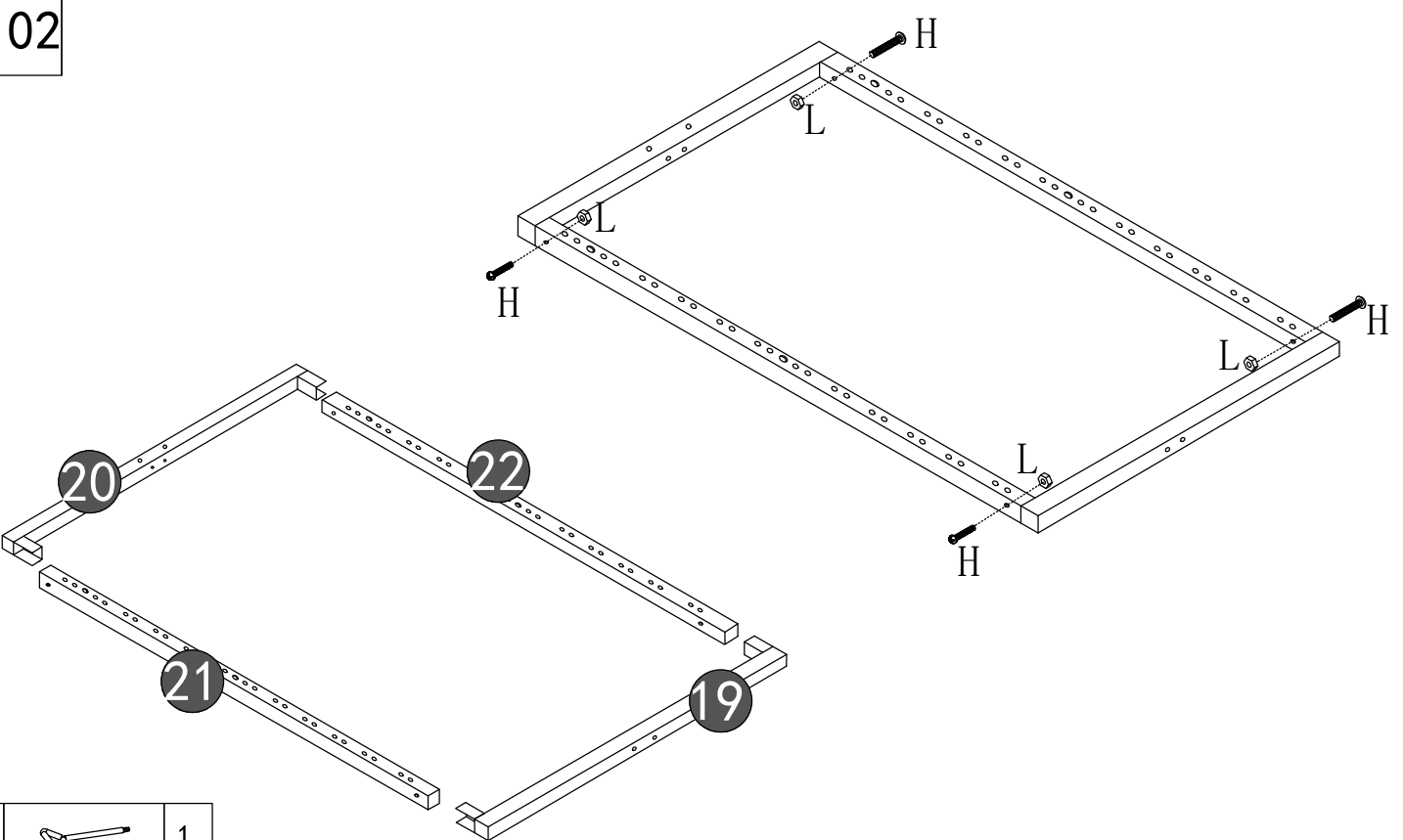
②⑤ x1


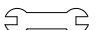




②⑦ x24



01 Vor dem Einbau die Schrauben in die Löcher stecken und festziehen, aber nicht bis 100%, 70% bis 80% anziehen reicht aus. Schließlich, nachdem alle Schrauben installiert sind, ziehen Sie alle Schrauben auf 100%. Wenn Sie auf diese Probleme stoßen, wie z. B. Fehlausrichtung der Löcher oder Unfähigkeit, bestimmte Teile zu installieren, überprüfen Sie bitte, ob die Schrauben korrekt verwendet werden und passen Sie die Dichtigkeit der Schrauben an. Before installation, insert the screws into the holes and tighten them, but do not tighten them to 100%, 70% to 80% is sufficient. Finally, after all screws are installed, tighten all screws to 100%. If you encounter these issues, such as if the holes cannot be aligned or some parts cannot be installed, please check if the screws are used correctly and adjust the tightness of the screws. Insérer la vis dans le trou avant la fin de l'assemblage, serrer la vis, mais ne pas serrer à 100%, 70% ~ 80% est correct. Enfin, une fois que toutes les vis sont bien serrées, toutes les vis sont serrées à 100%. Si vous rencontrez ces problèmes, par exemple si les trous ne sont pas alignés ou si certaines pièces ne peuvent pas être montées, vérifiez que les vis sont utilisées correctement et Ajustez leur serrage.

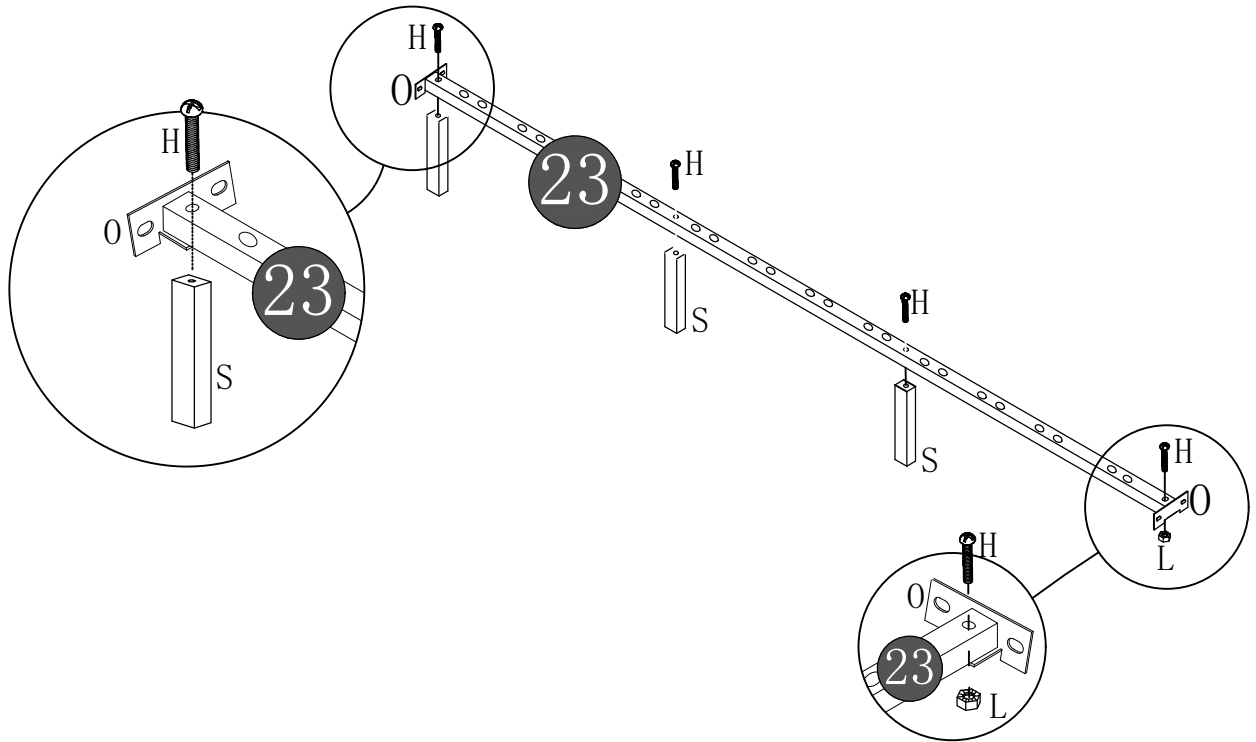




W		1
V		1

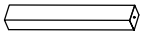

L		4	H		4
---	---	---	---	---	---



8*40

03

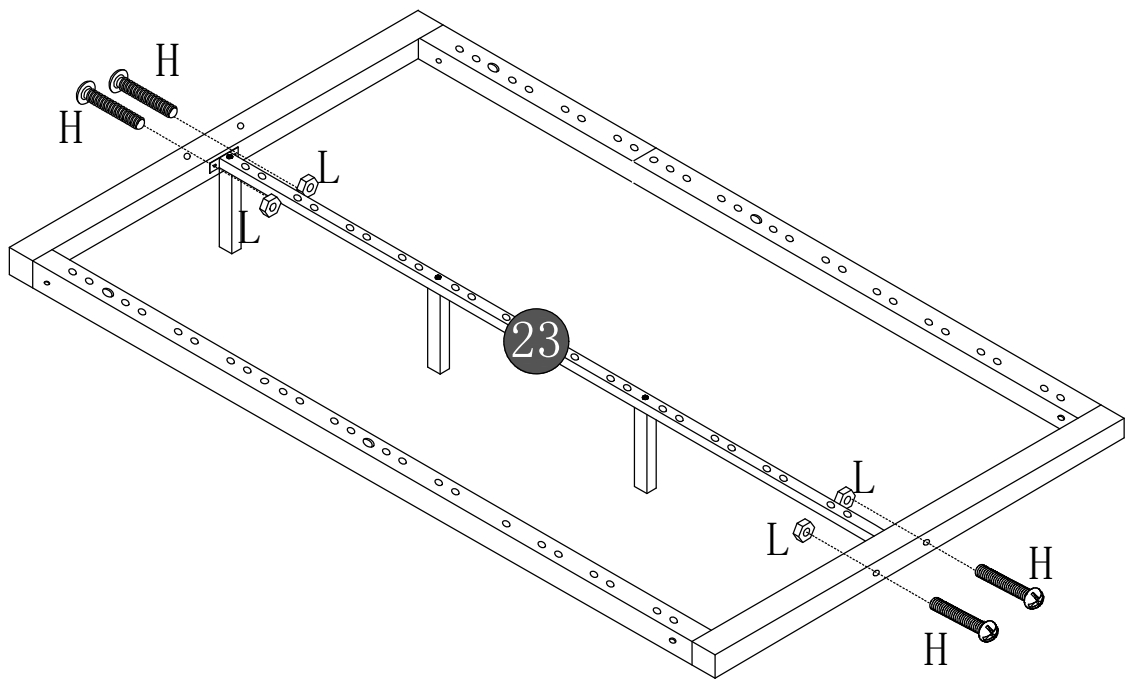




W		1
V		1



S		3	O		2
---	---	---	---	---	---

L		1
H		4

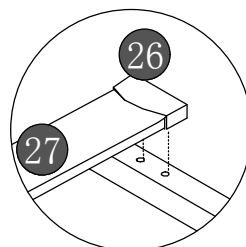
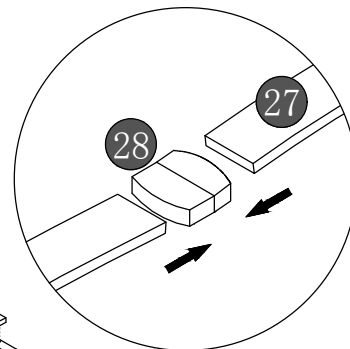
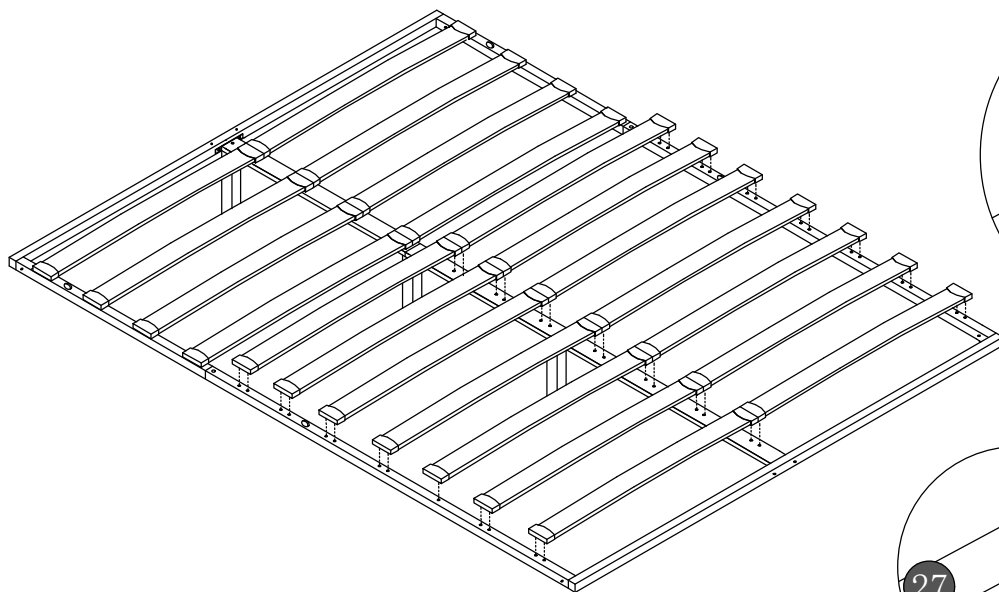
04



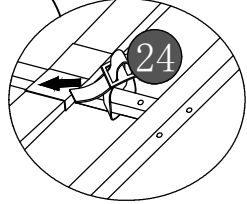
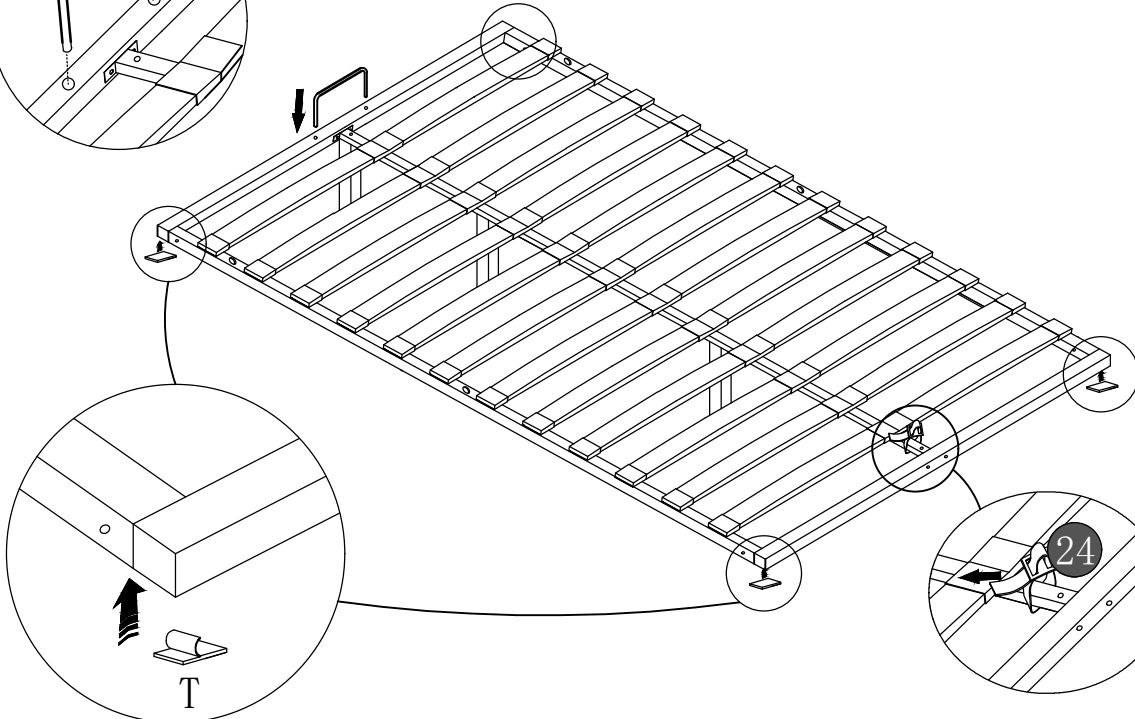
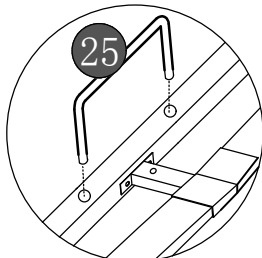
W		1
V		1

L		4	H		4
---	---	---	---	---	---

05

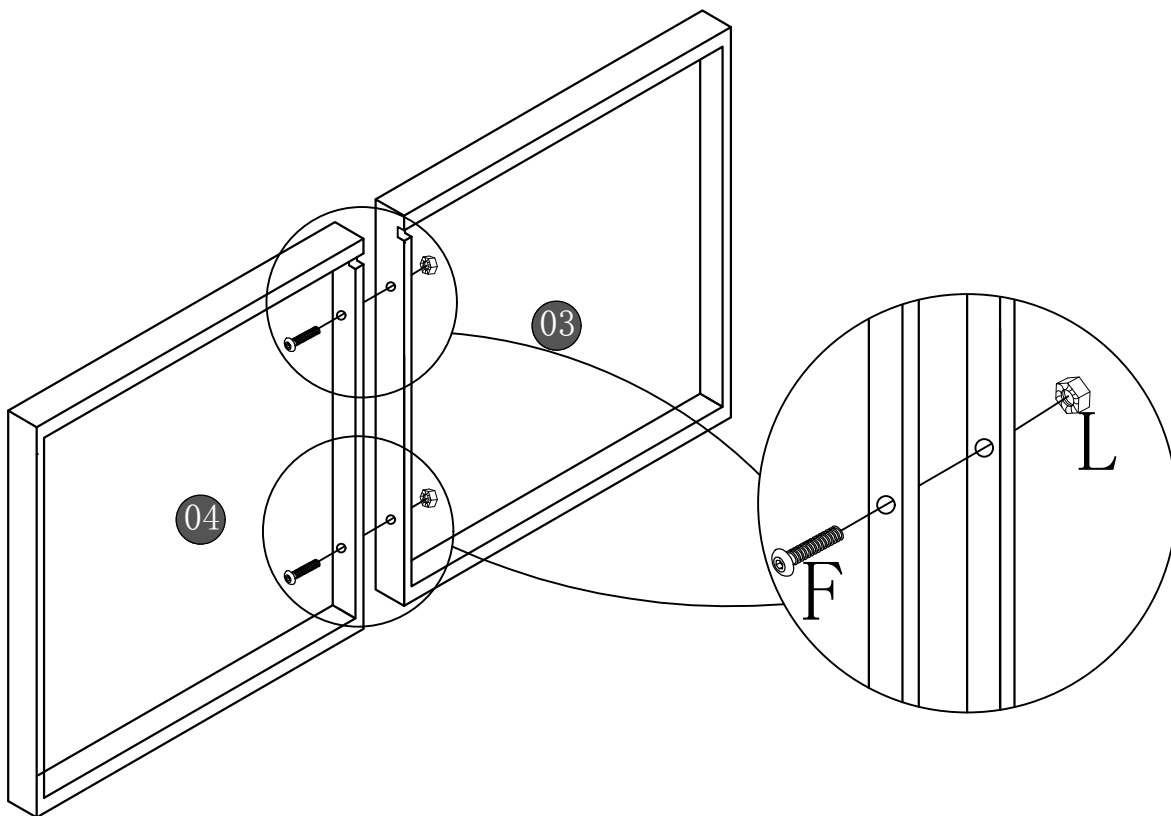


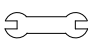

06





T		4
---	---	---

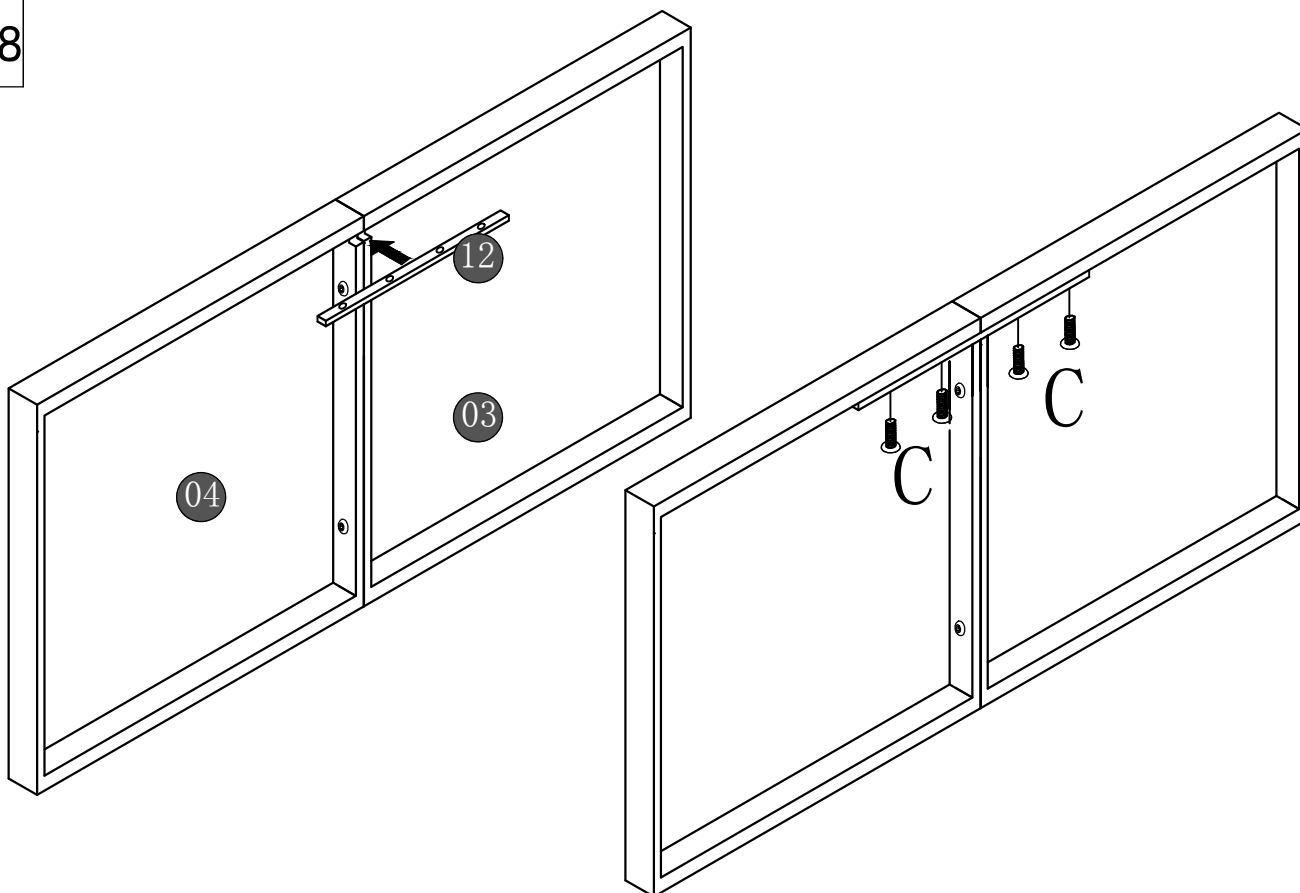
07




V		1
U		1

L		2
F	 8*45	2

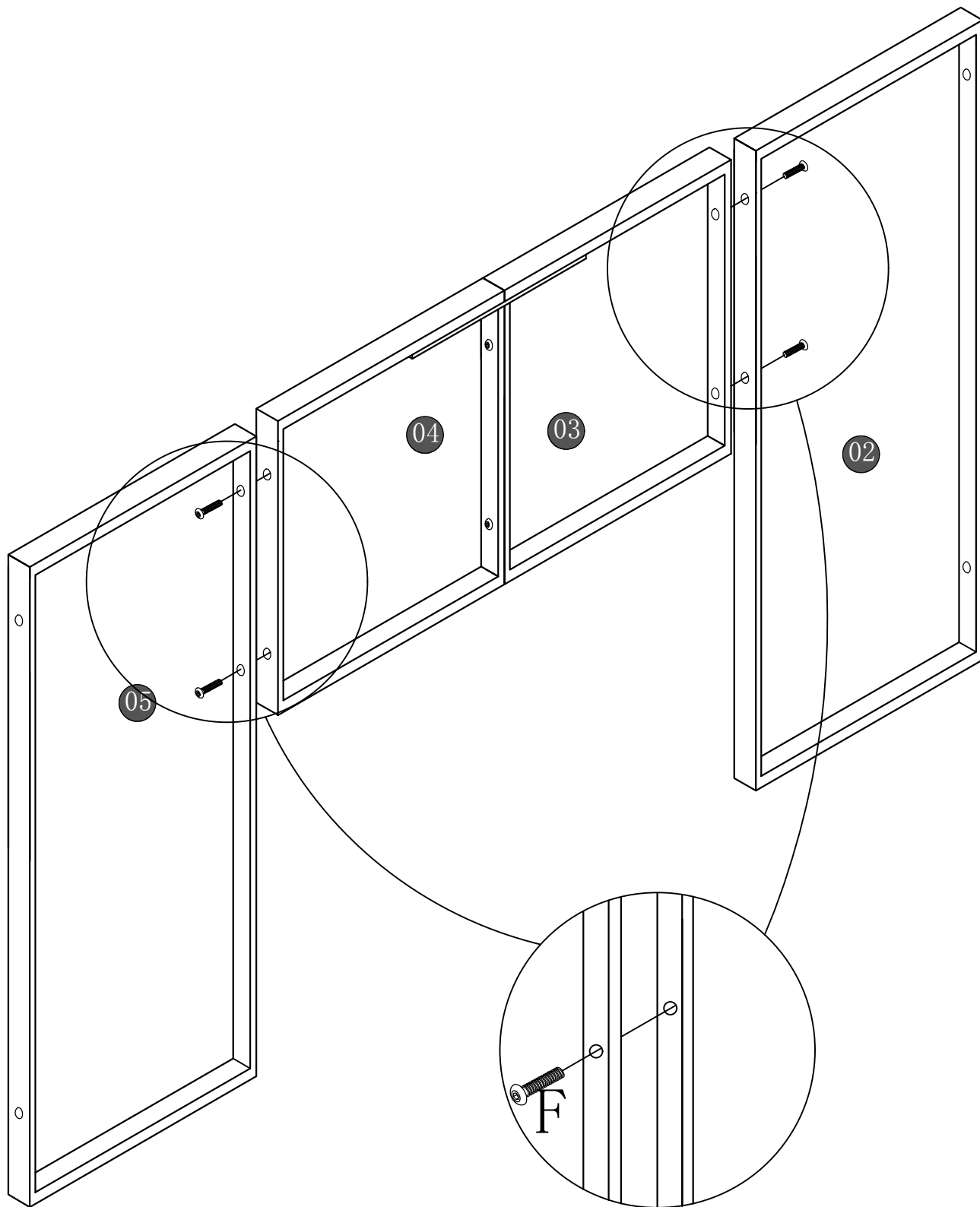
08

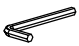



U		1
---	---	---

C	 8*25	4
---	---	---

09

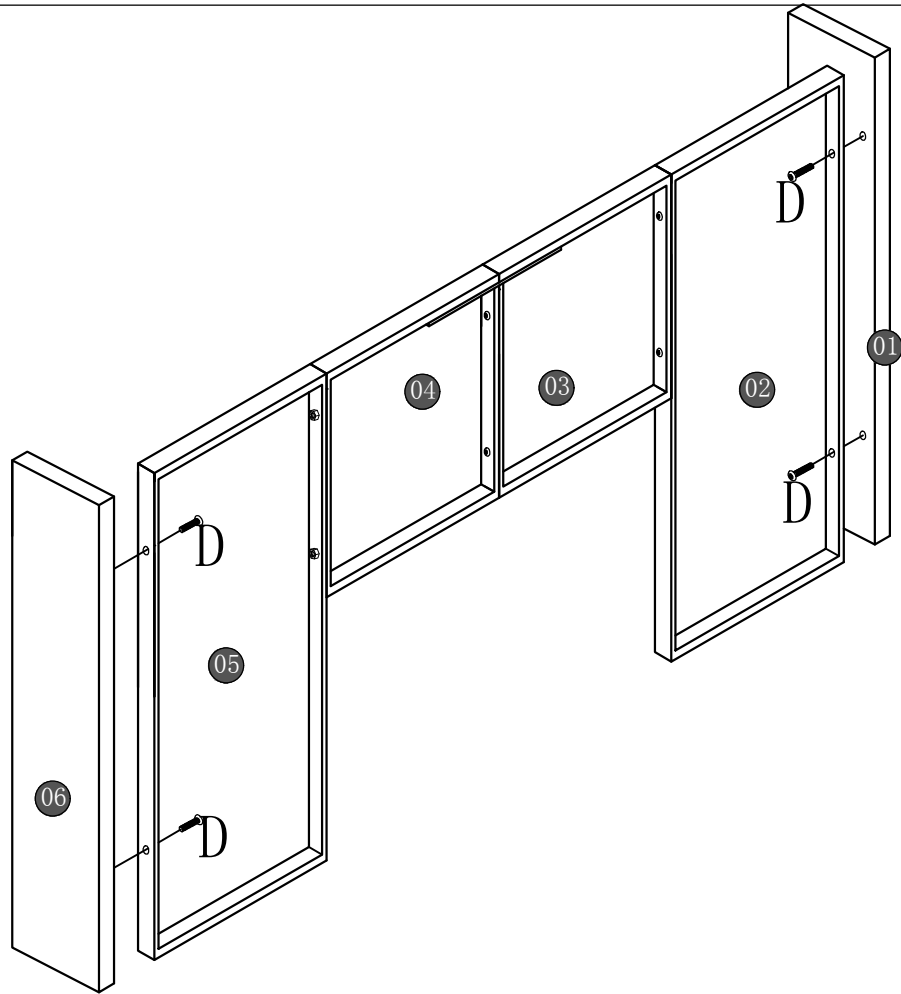


U		1
---	---	---

F		4
---	---	---

8*45

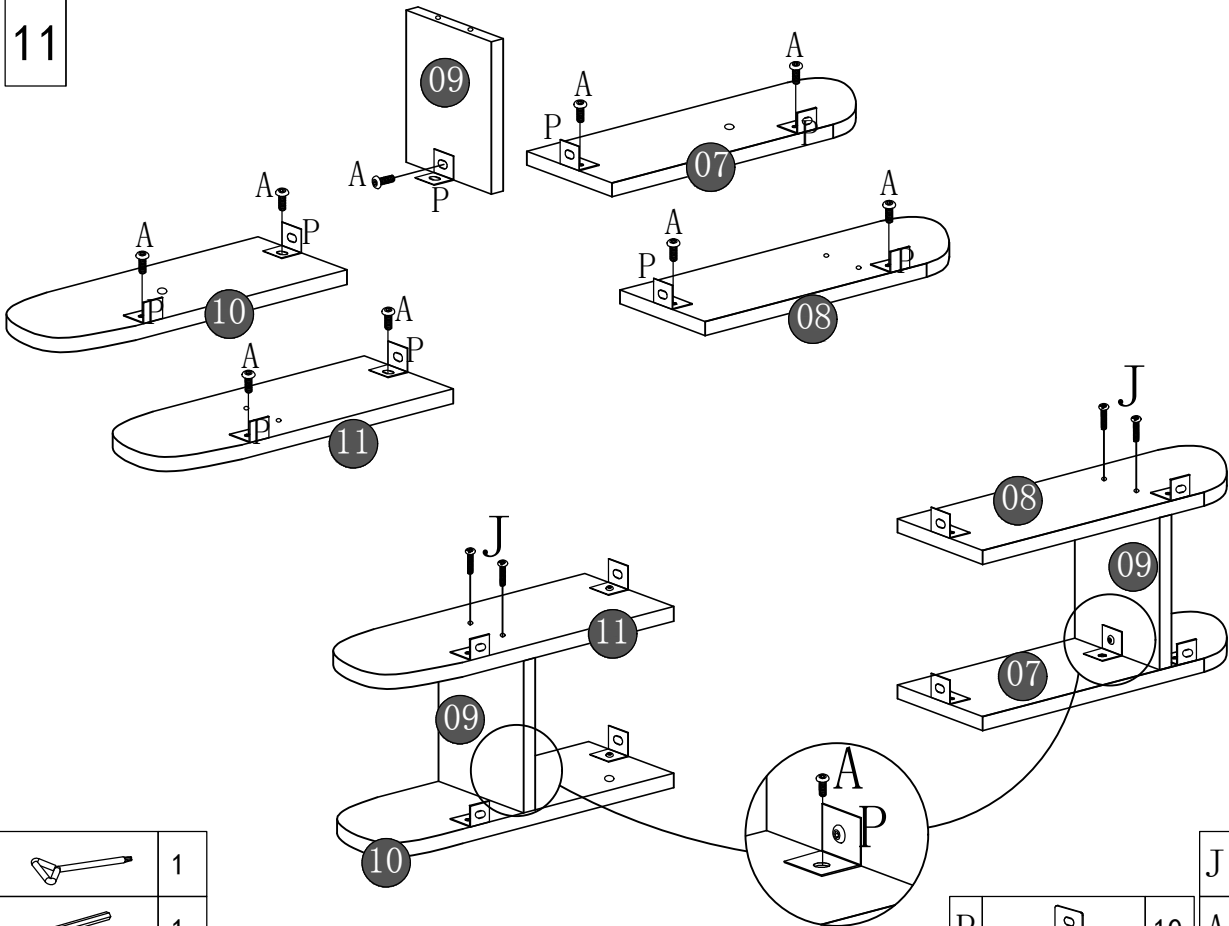
10



U		1
---	--	---

D		4
---	--	---

11



W		1
---	--	---

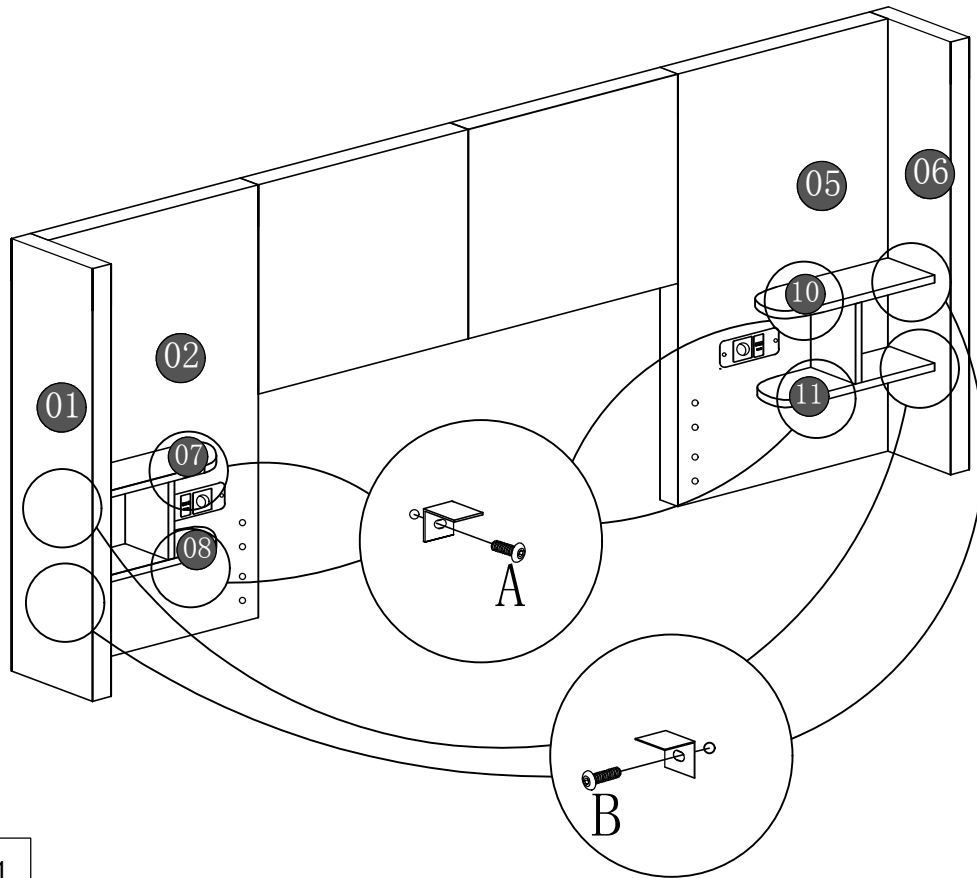
U		1
---	--	---

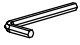
J		4
---	--	---

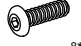

P		10
---	--	----

A		12
---	--	----

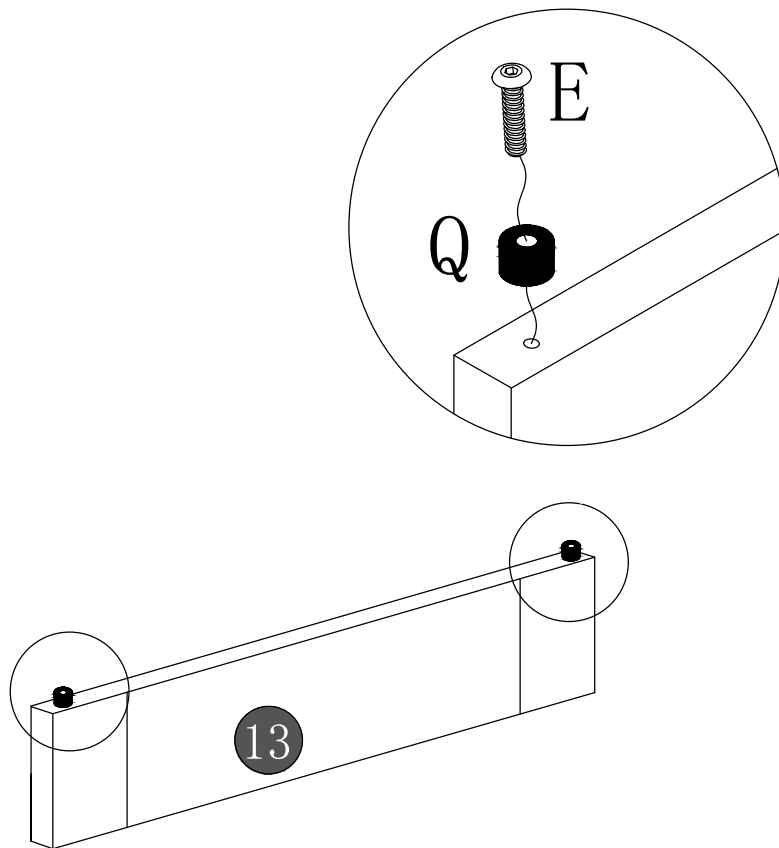
12

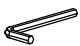




U		1
---	---	---

B	 8*20	4
A	 8*15	4

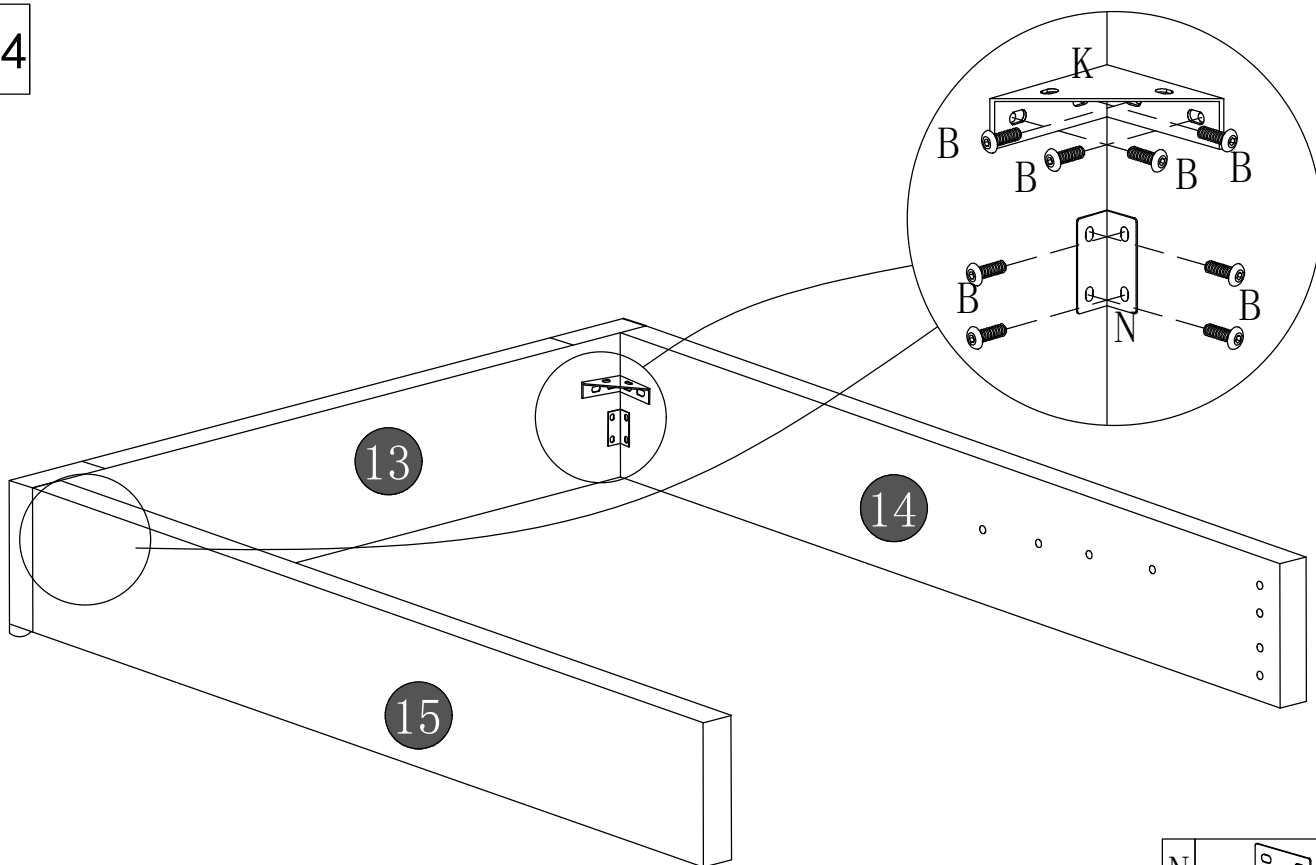
13





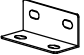

U		1
---	---	---

Q	 2,5cm	2
E	 8*40	2

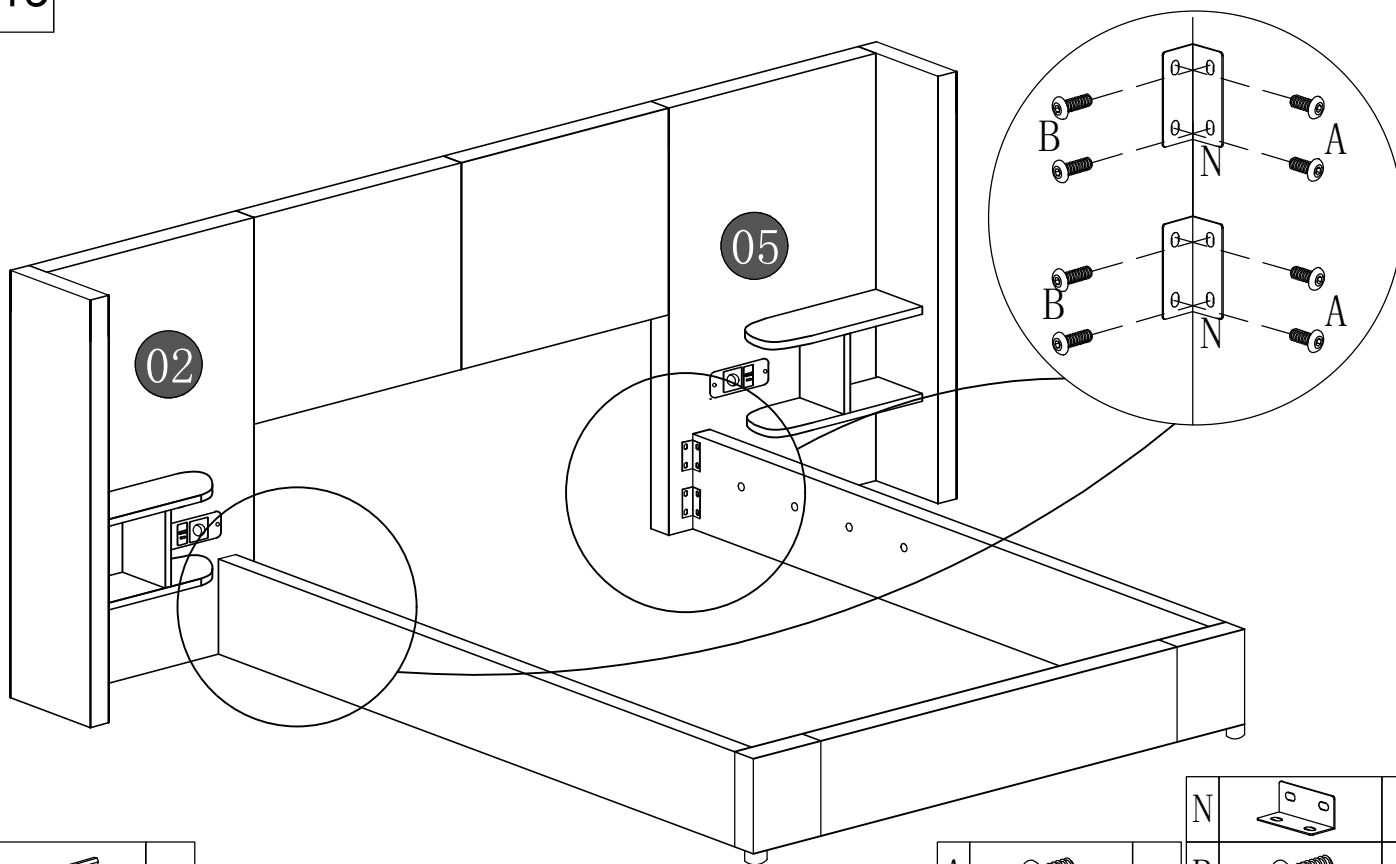
14





U		1
---	---	---

K		2	N		2
B		16			

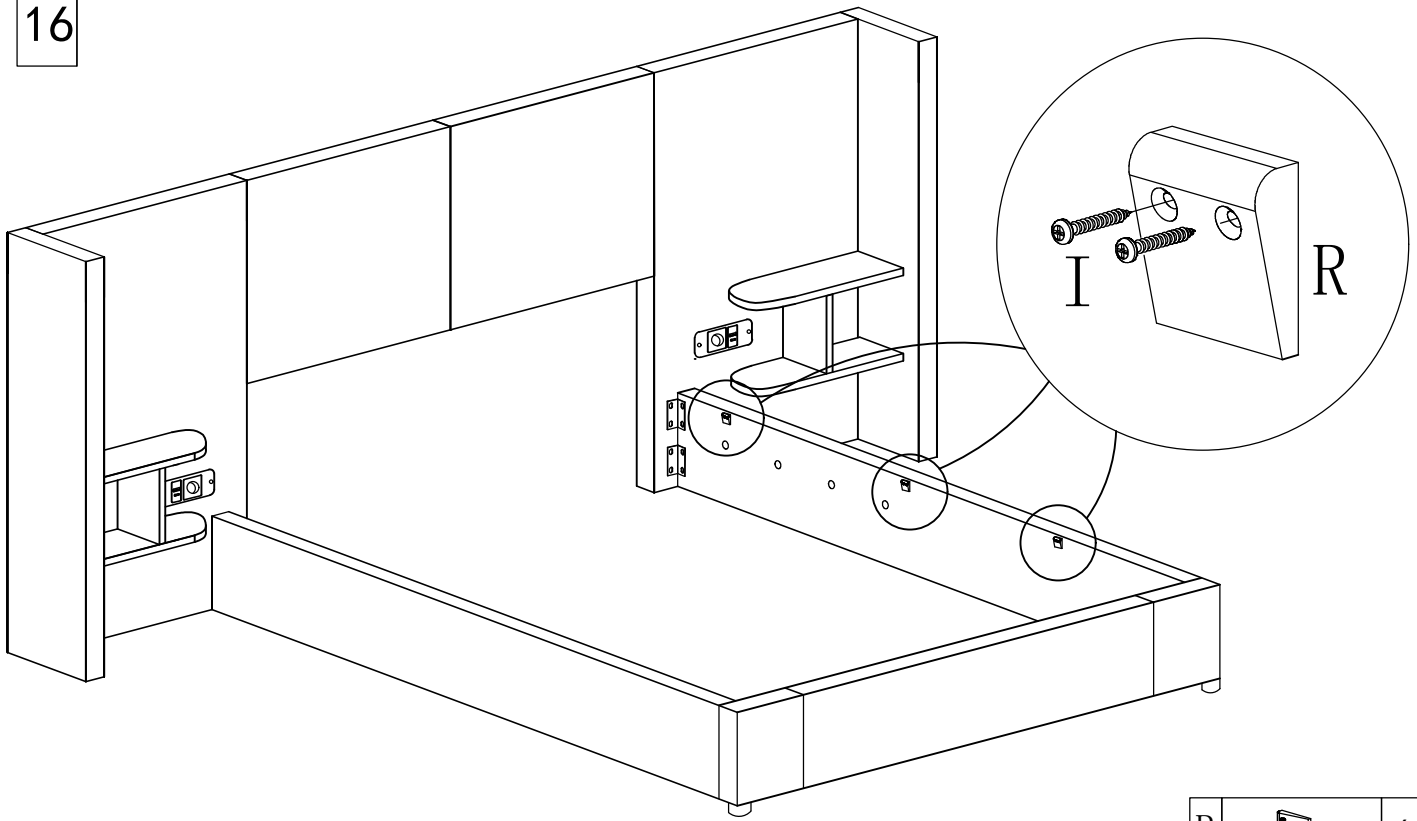
15






U		1
---	---	---

A		8	N		4
B		8			

16

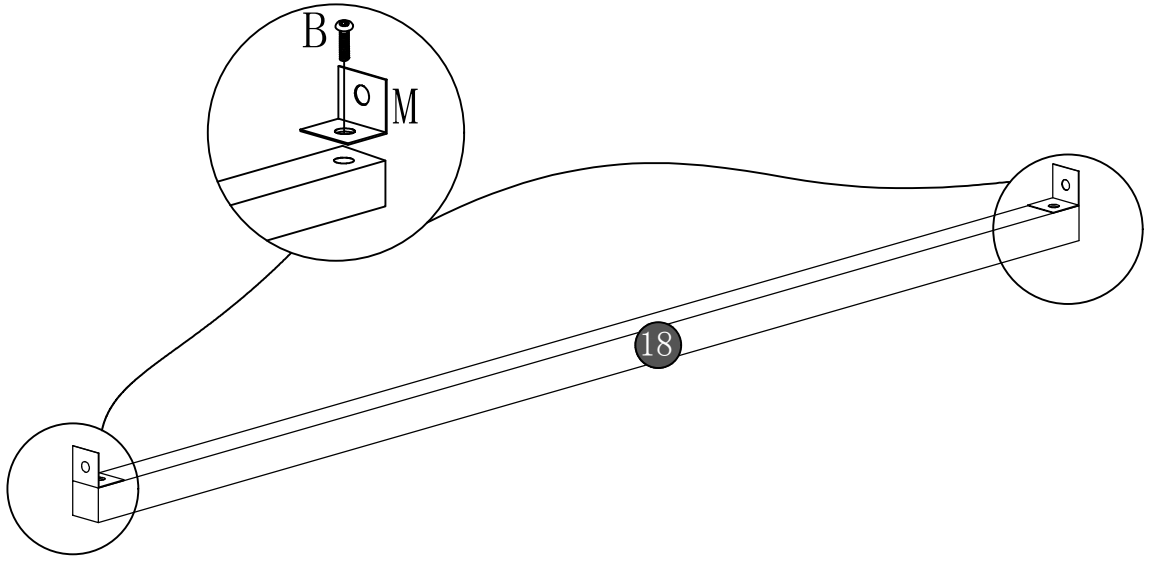



W		1
---	---	---


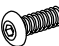
R		6
I		12

3.5*20

17

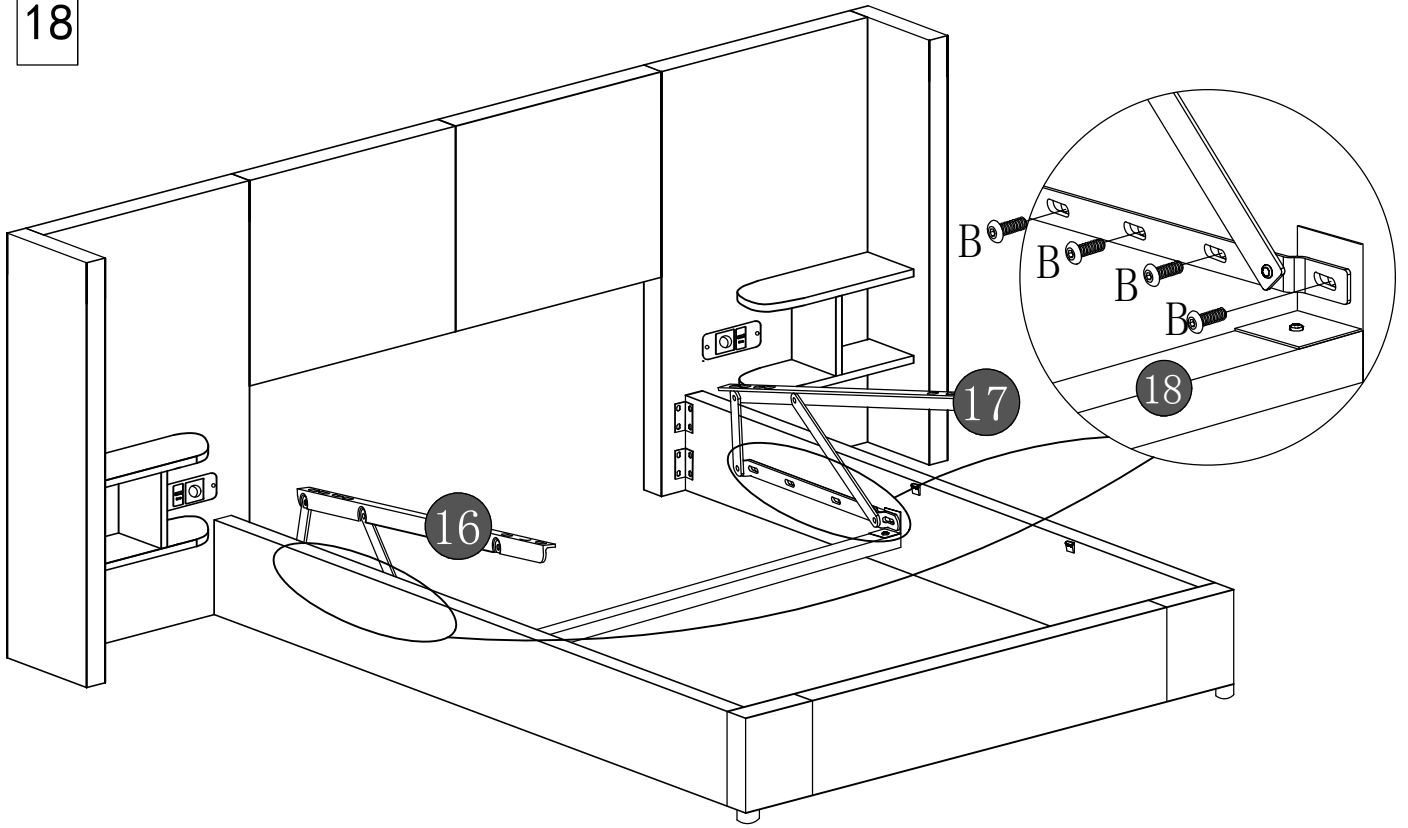


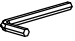
U		1
---	---	---


M		2
B		2

8*20

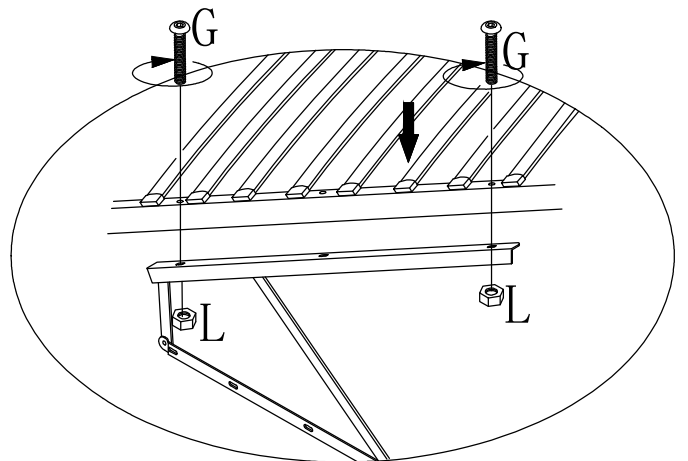
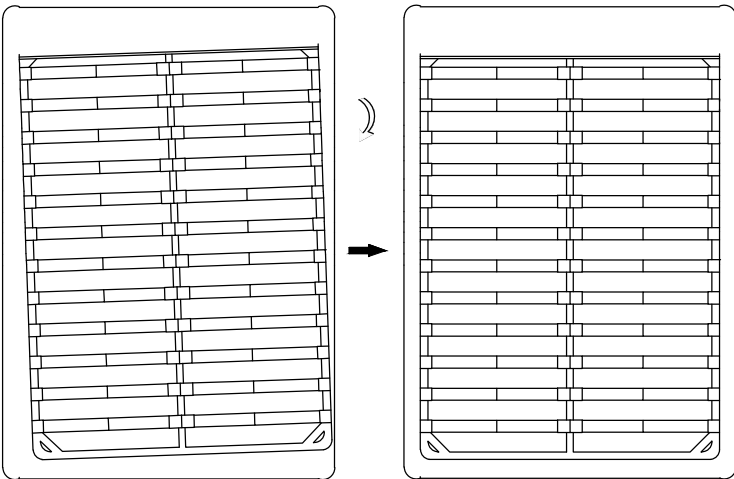
18




U		1
---	---	---

B		8
---	---	---


19



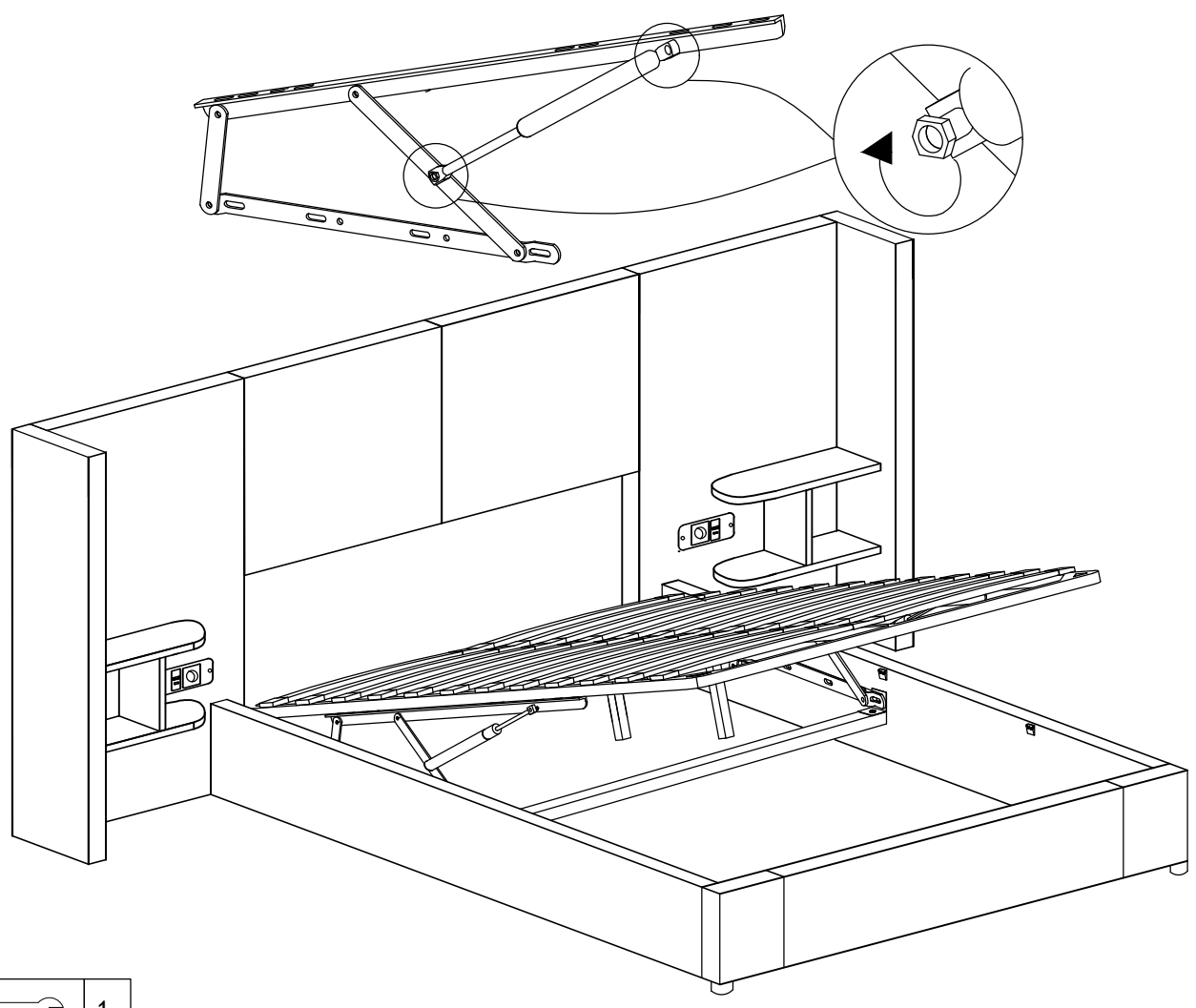
U		1
---	---	---

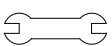
V		1
---	---	---

L		4
---	---	---

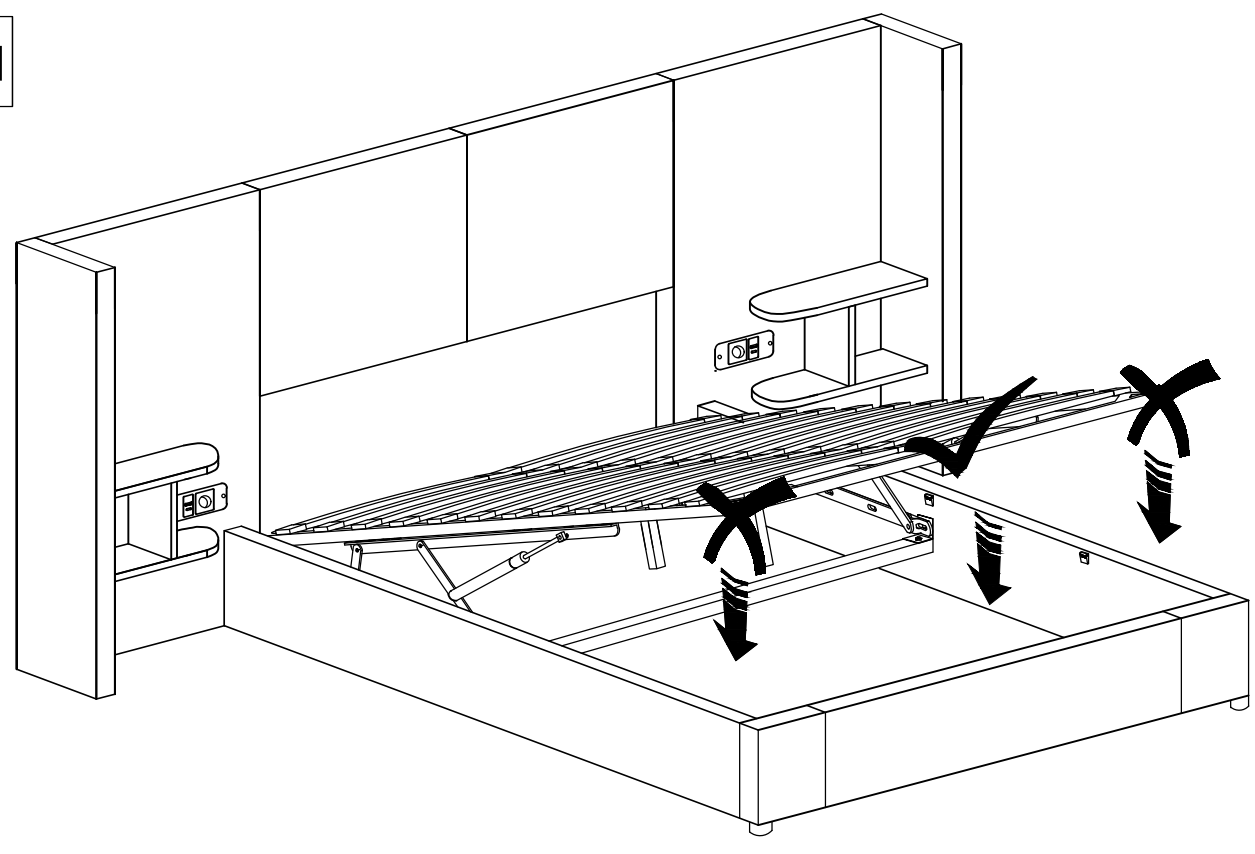
G		4
---	---	---

20



V  1

21





Product Service

Attestation of Conformity

No. N8A 120613 0002 Rev. 00

Holder of Attestation: DONGGUAN BAIYOU ELECTRONIC CO.,LTD2F A Building Wufeng Industrial, Jintan Road, Shijie Town
523290 Dongguan City
PEOPLE'S REPUBLIC OF CHINA**Product: Multiple Socket Outlets**

This Attestation of Conformity is issued on a voluntary basis according to the Low Voltage Directive 2014/35/EU relating to electrical equipment designed for use within certain voltage limits. It confirms that the listed equipment complies with the principal protection requirements of the directive and is based on the technical specifications applicable at the time of issuance. It refers only to the particular sample submitted for conformity assessment. For details see: www.tuvsud.com/ps-cert

Test report no.: 874102337701-00

Date, 2023-09-06

(Jie Zhu)

Page 1 of 3

This Attestation does not replace the regulatory EU Declaration of Conformity (DoC) and does not allow for CE marking. After preparation of the necessary documentation and establishing compliance to requirements of all applicable directives, the manufacturer may sign a DoC and apply the CE marking. The DoC is issued under the sole responsibility of the manufacturer.



TUV®



Product Service

Attestation of Conformity

No. N8A 120613 0002 Rev. 00

Model(s): BY213-G011Y, BY213-G011Y-C,
BY213-G021Y, BY213-G021Y-C,
BY213-G031Y, BY213-G031Y-C,
BY213-G041Y, BY213-G041Y-C

Parameters:

Rated voltage: 250V~
Rated frequency: 50Hz
Rated current: 16A
Protection class: I
Degree of protection: IP20
Type of cable: H05VV-F 3G1.0mm² or H05VV-F 3G1.5mm²
Remark: For BY213-G011Y, BY213-G021Y,
BY213-G031Y, BY213-G041Y:
USB rated output voltage:5.0VDC
USB rated output current:
Single Type A: 2.1A max
Type A + Type A: 2.1A max

For BY213-G011Y-C, BY213-G021Y-C,
BY213-G031Y-C, BY213-G041Y-C:
USB rated output voltage:5.0VDC
USB rated output current:
Single Type A: 3.0A max
Single Type C: 3.0A max
Type A + Type C: 3.1A max
USB rated output voltage:9.0VDC
USB rated output current:
Single Type A: 2.0A max
Single Type C: 2.22A max
USB rated output voltage:12.0VDC
USB rated output current:
Single Type A:1.5A max
Single Type C: 1.67A max

Page 2 of 3

This Attestation does not replace the regulatory EU Declaration of Conformity (DoC) and does not allow for CE marking. After preparation of the necessary documentation and establishing compliance to requirements of all applicable directives, the manufacturer may sign a DoC and apply the CE marking. The DoC is issued under the sole responsibility of the manufacturer.



TÜV SÜD Product Service GmbH • Ridlerstraße 65 • 80339 Munich • Germany



Product Service

Attestation of Conformity

No. N8A 120613 0002 Rev. 00

Model	Number of socket-outlets	With two USB ports, type A +type A	With two USB ports, type A+type C
BY213-G011Y	1	Yes	No
BY213-G011Y-C	1	No	Yes
BY213-G021Y	2	Yes	No
BY213-G021Y-C	2	No	Yes
BY213-G031Y	3	Yes	No
BY213-G031Y-C	3	No	Yes
BY213-G041Y	4	Yes	No
BY213-G041Y-C	4	No	Yes

Tested according to:

IEC 60884-1:2002
 IEC 60884-1:2002/AMD1:2006
 IEC 60884-1:2002/AMD2:2013
 IEC 60884-2-7:2011
 IEC 60884-2-7:2011/AMD1:2013
 SS 428 08 34:2013/T1:2018

Page 3 of 3

This Attestation does not replace the regulatory EU Declaration of Conformity (DoC) and does not allow for CE marking. After preparation of the necessary documentation and establishing compliance to requirements of all applicable directives, the manufacturer may sign a DoC and apply the CE marking. The DoC is issued under the sole responsibility of the manufacturer.



TÜV SÜD Product Service GmbH • Ridlerstraße 65 • 80339 Munich • Germany