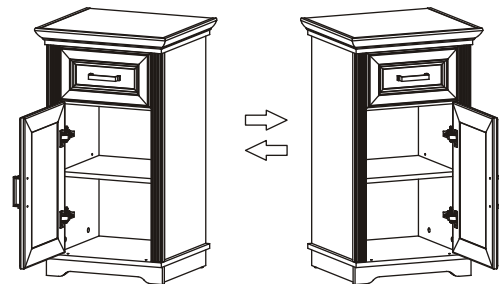
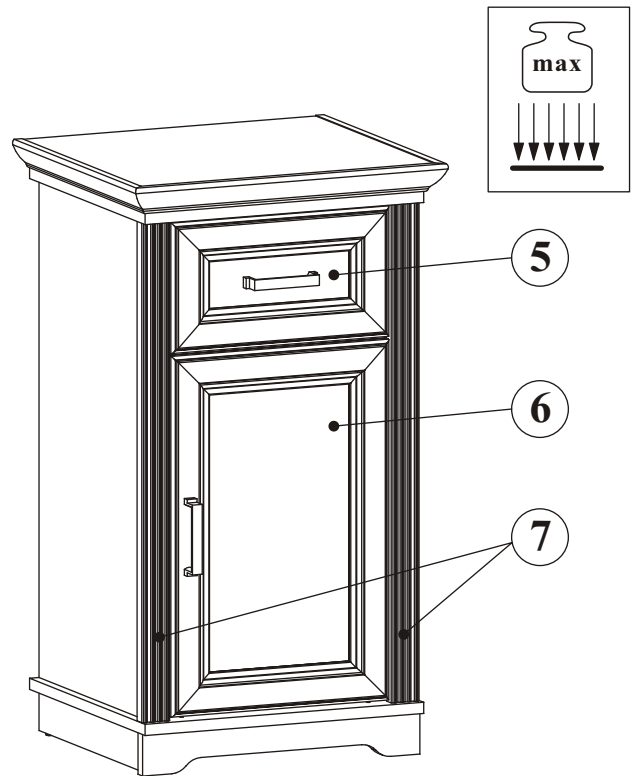
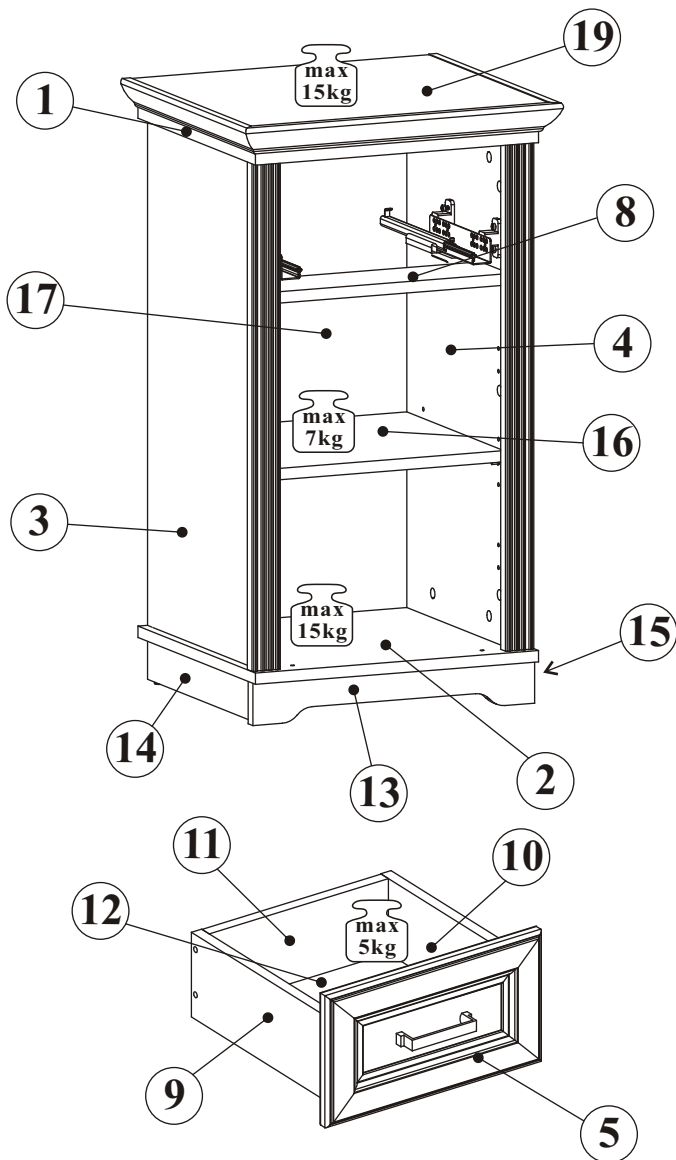
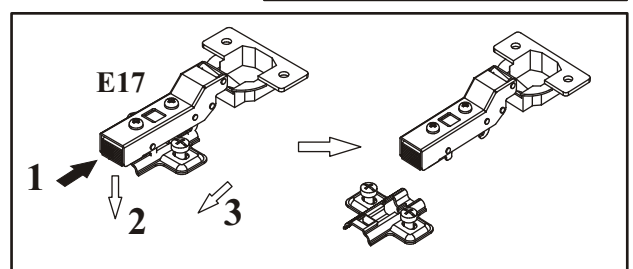
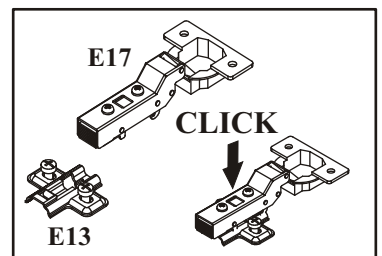
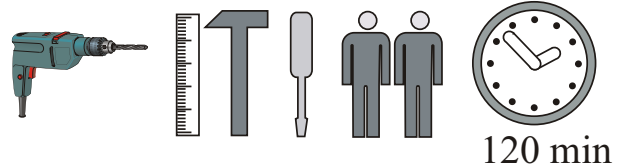
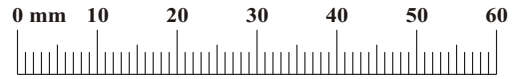


JASMIN 36-878-__6

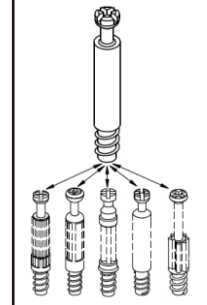
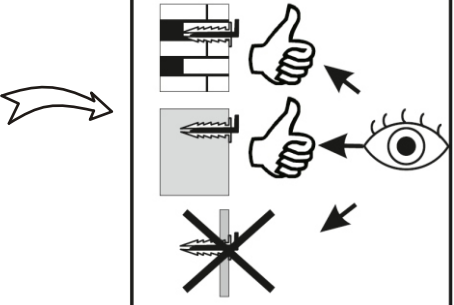
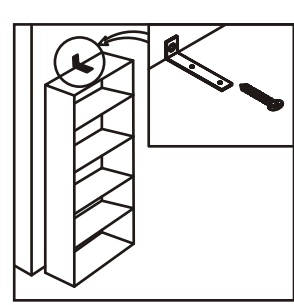
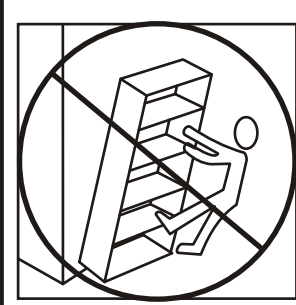
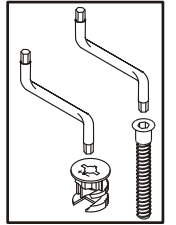
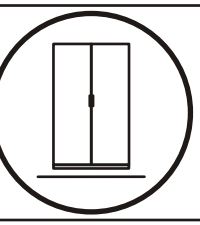
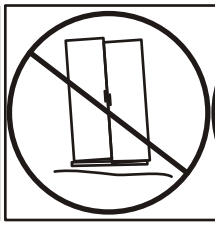
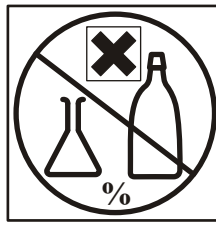
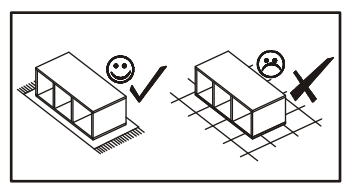
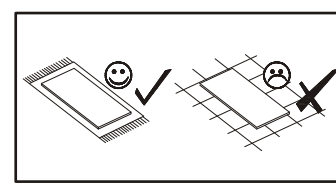
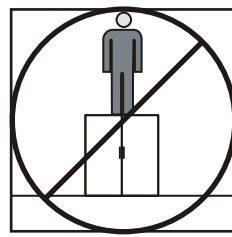
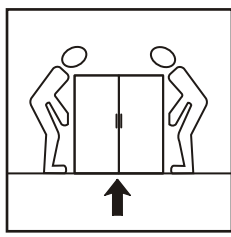
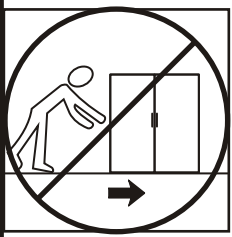
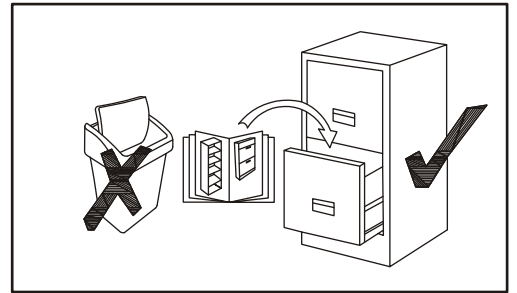
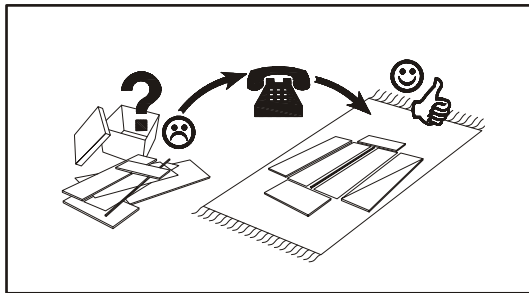
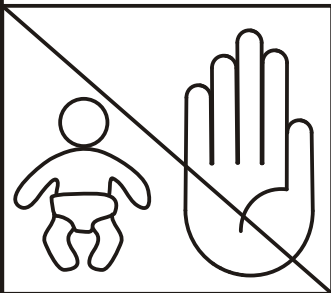


NO	Dim.			Col-No	Qty
1	430	400	16	1	1
2	430	400	16	1	1
3	716	370	16	1	1
4	716	370	16	1	1
5	336	187	22	1	1
6	517	336	22	1	1
7	716	43	19	1	2
8	369	100	16	1	1
9	300	120	16	1	1
10	300	120	16	1	1
11	279	106	16	1	1
12	304	291	3	1	1
13	428	60	16	1	1
14	373	60	16	1	1
15	373	60	16	1	1
16	369	330	16	1	1
17	728	381	3	1	1
19	483	426	42	1	1

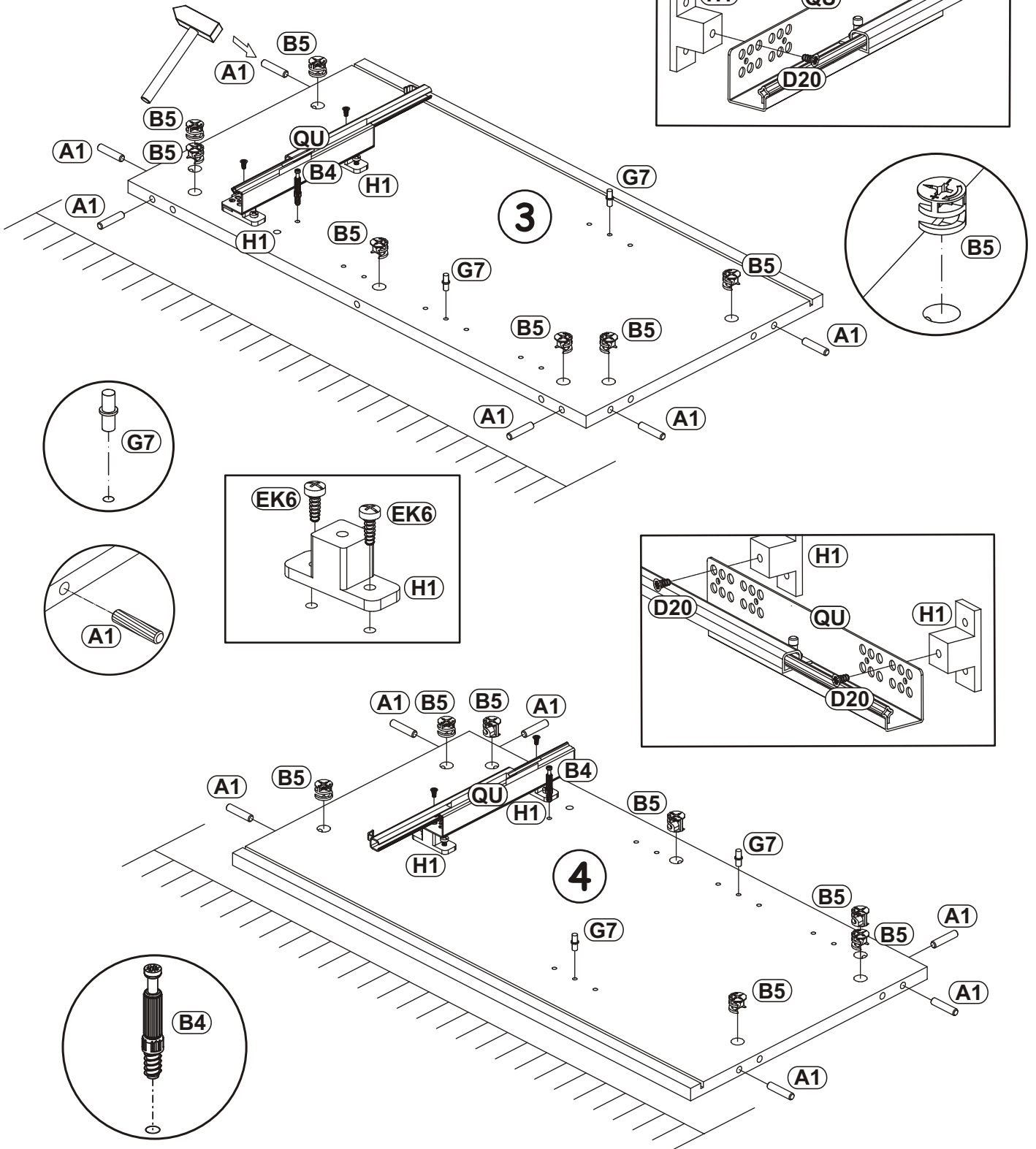
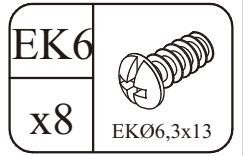
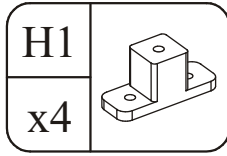
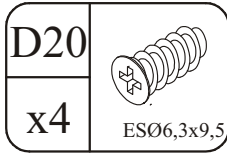
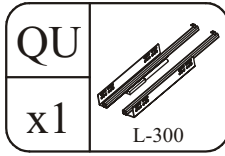
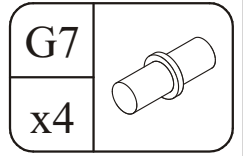
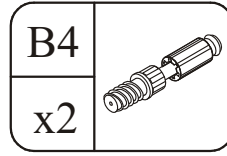
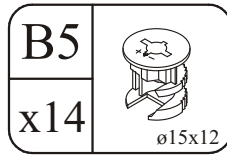
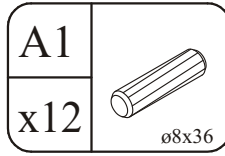
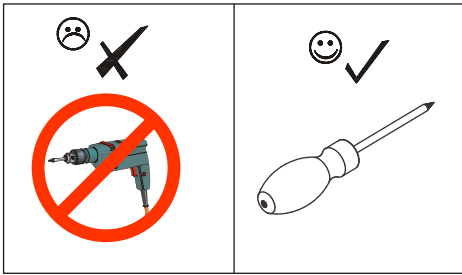




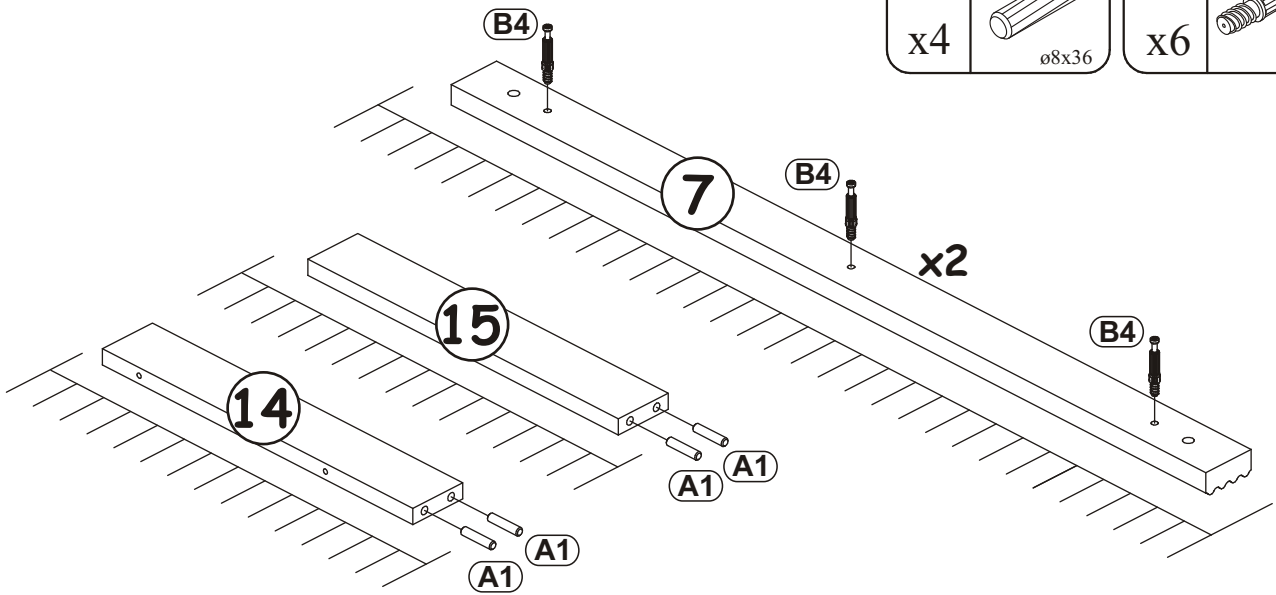
A1 x22 ø8x36	B4 x18	B5 x18 ø15x12	G5 x18	L1 x1	KR1 x1
E17 x2 ø35 H=16	E13 x2 H=0	E0 x2 H=11	EK8 x4 EKØ6,3x24	H1 x4	EK6 x8 EKØ6,3x13
KM1 x2	C19 x2	D34 x2 M4x16	D4 x2 M4x30	I2 x4	S1 x7
QU x1 L-300	D20 x4 ESØ6,3x9,5	G7 x4	G20 x1	G12 x6 Ø14	B14 x6 Ø7x30
UP13 x3 UPØ3x16	Z2 x5 Ø5	G4 x4	B11 x8 Ø7x50	D10 x10 USØ3,5x13	G2 x1

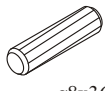


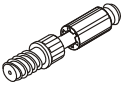
1

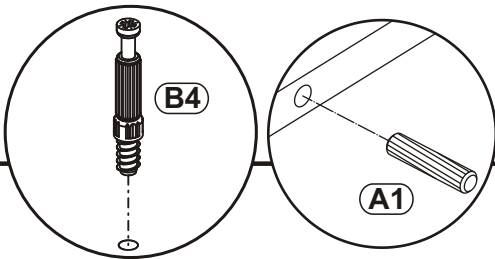


2

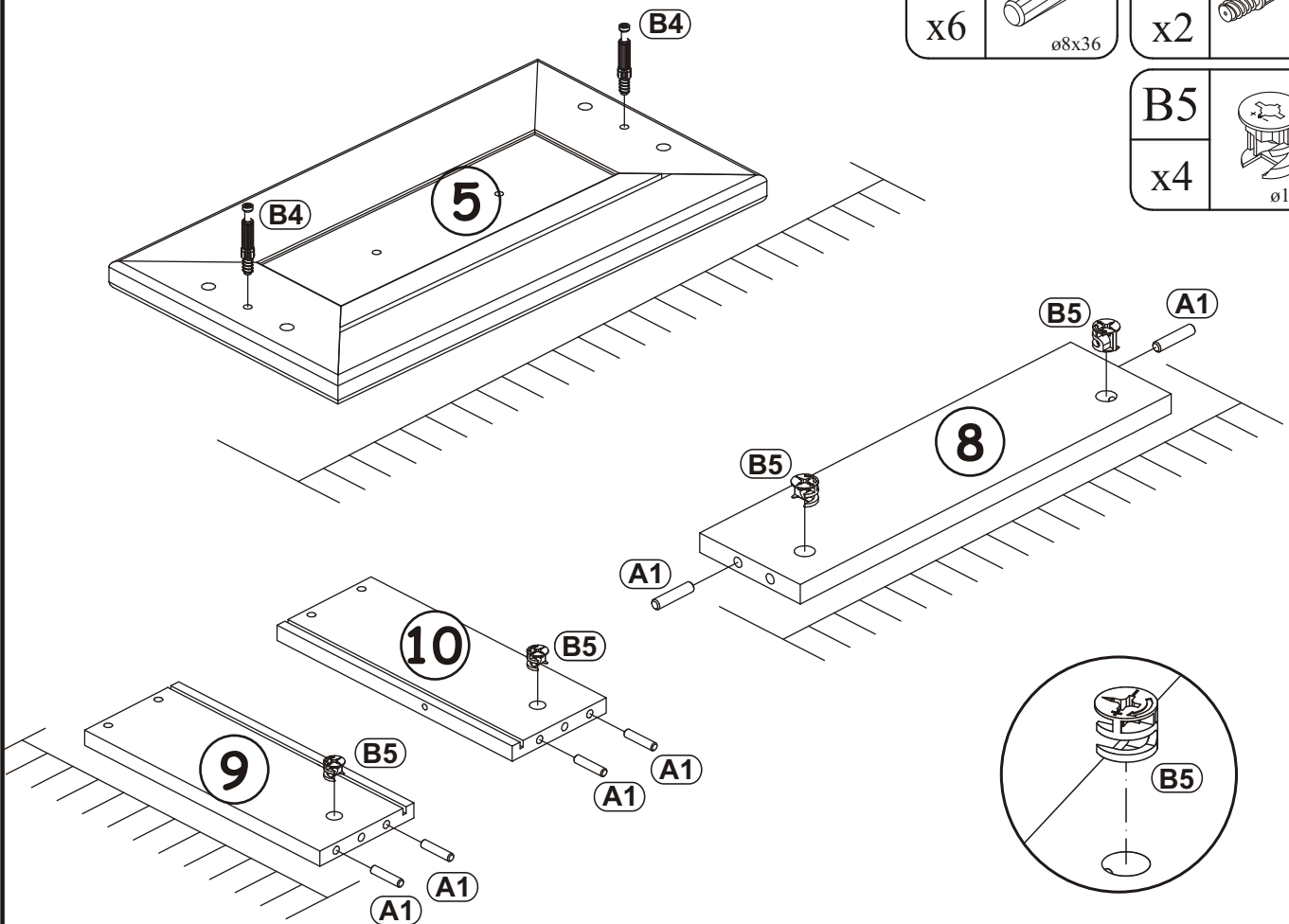


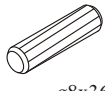
A1	
x4	ø8x36

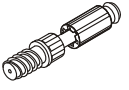
B4	
x6	




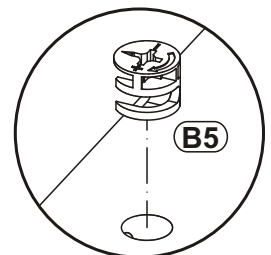
3



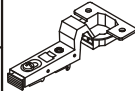
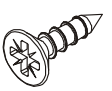
A1	
x6	ø8x36

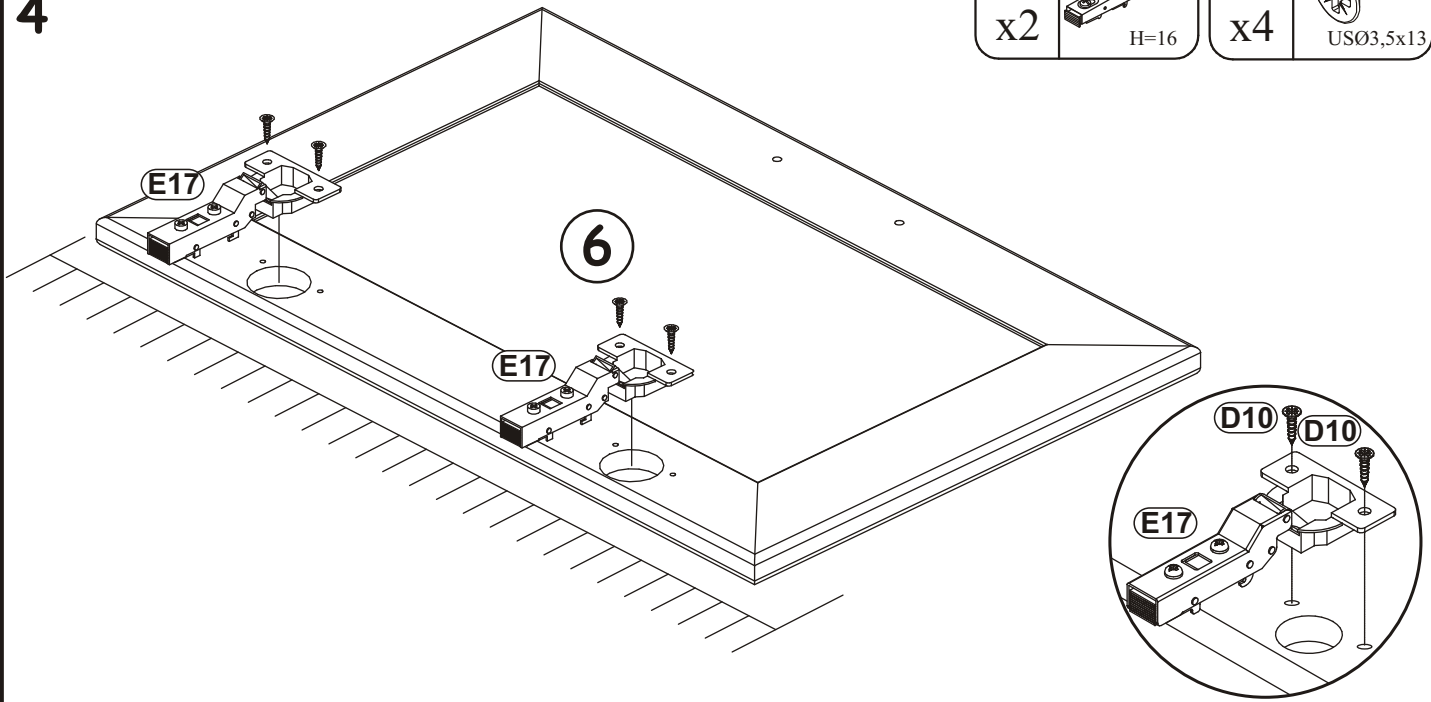
B4	
x2	

B5	
x4	ø15x12

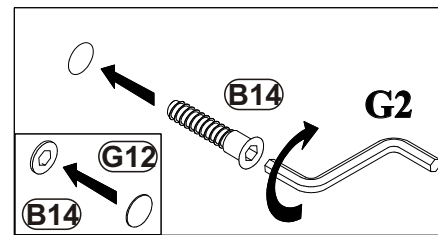


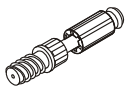
4


E17	ø35 H=16	D10	USØ3,5x13
x2		x4	




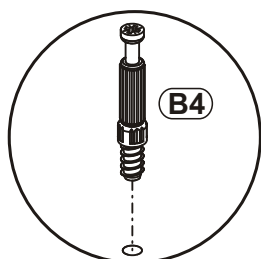
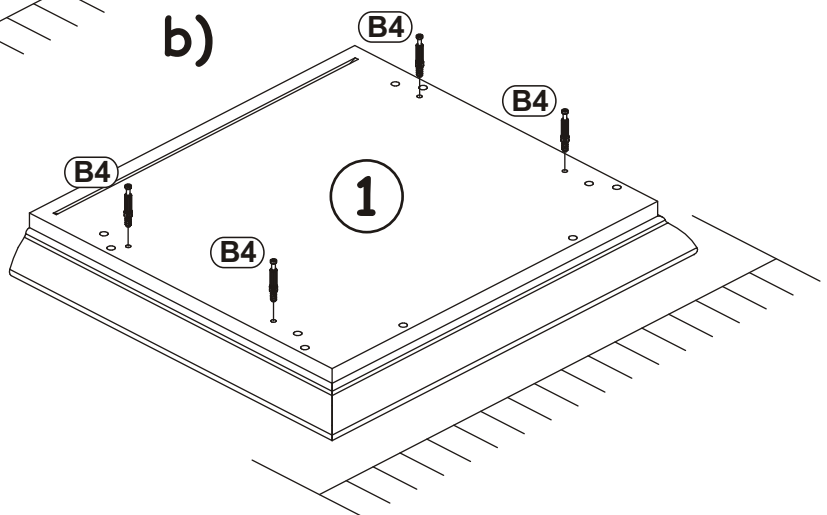
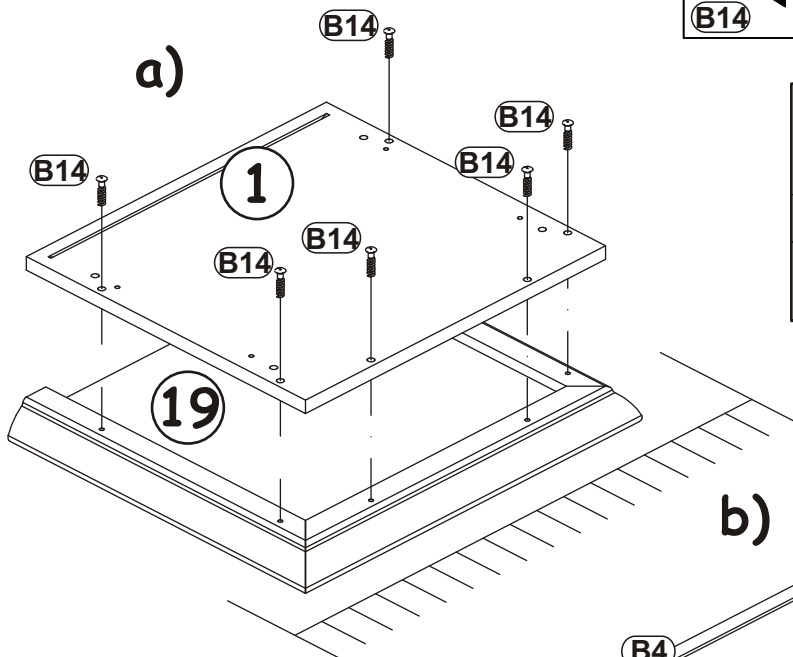
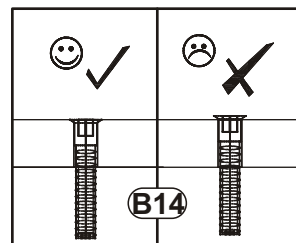
5



B4	
x4	

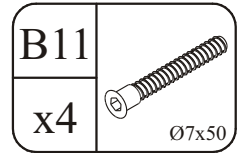
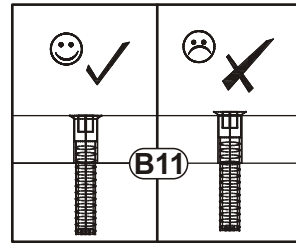
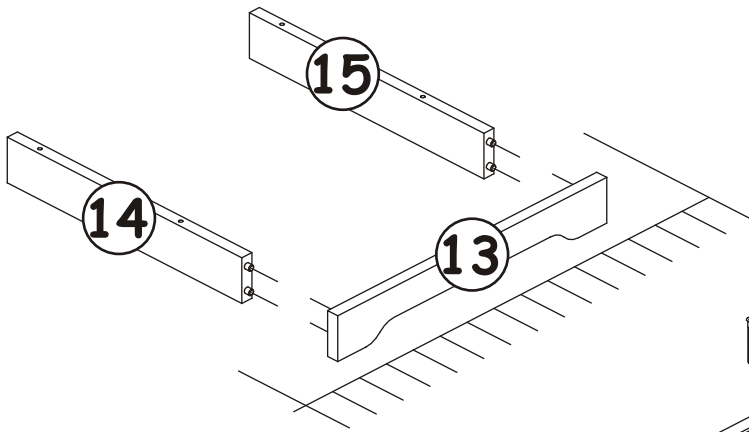
G12	
x6	Ø14

B14	
x6	Ø7x30

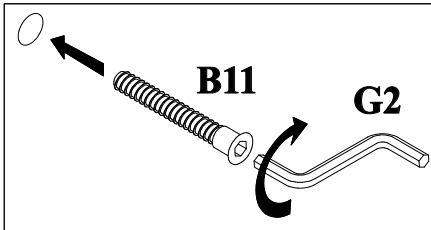
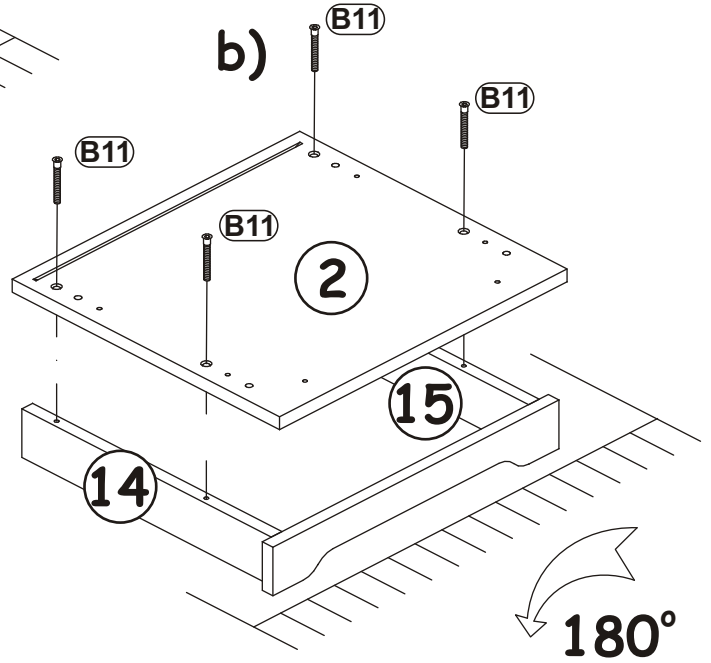


6

a)

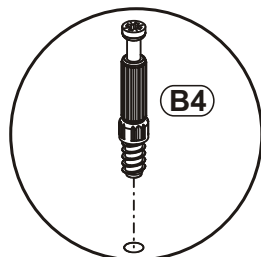
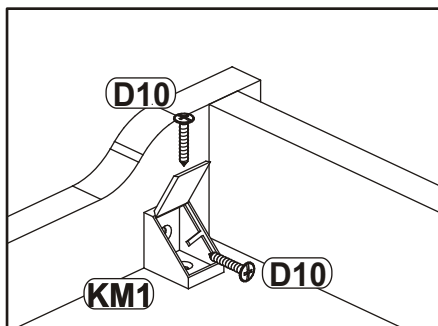
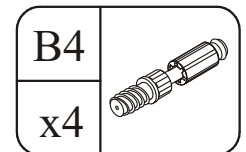
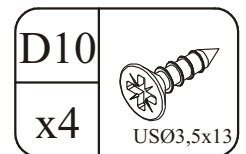
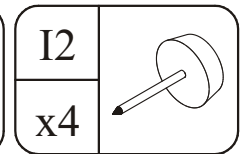
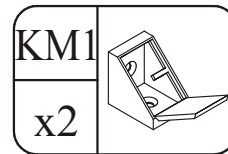
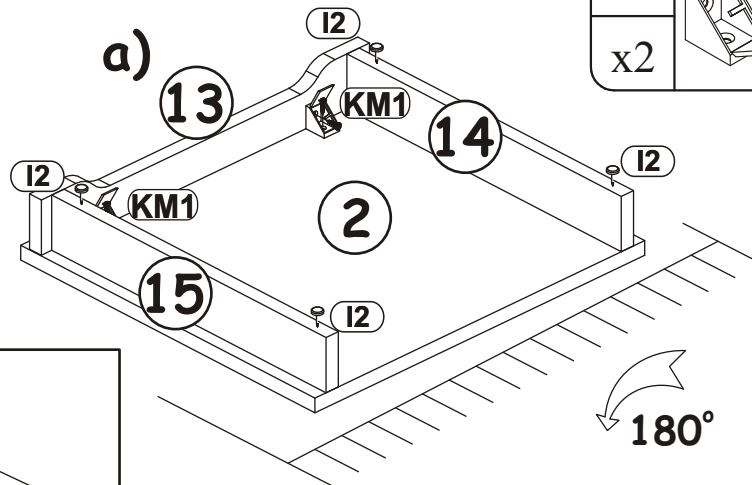
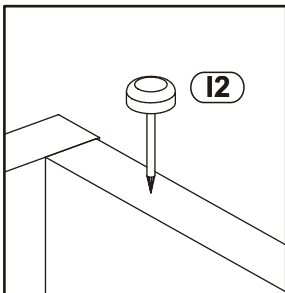


b)

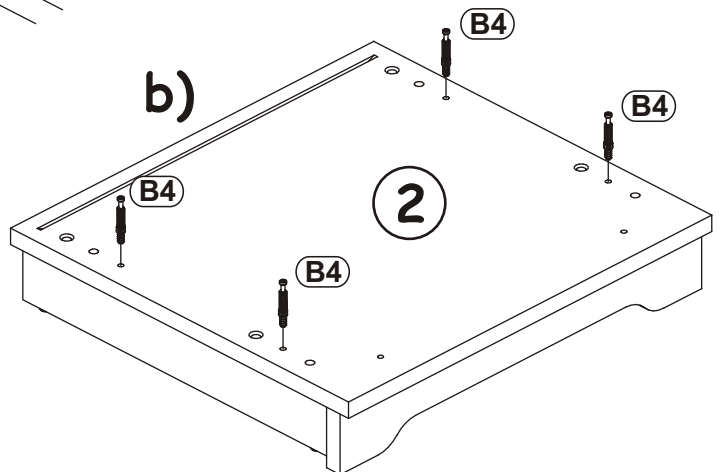


7

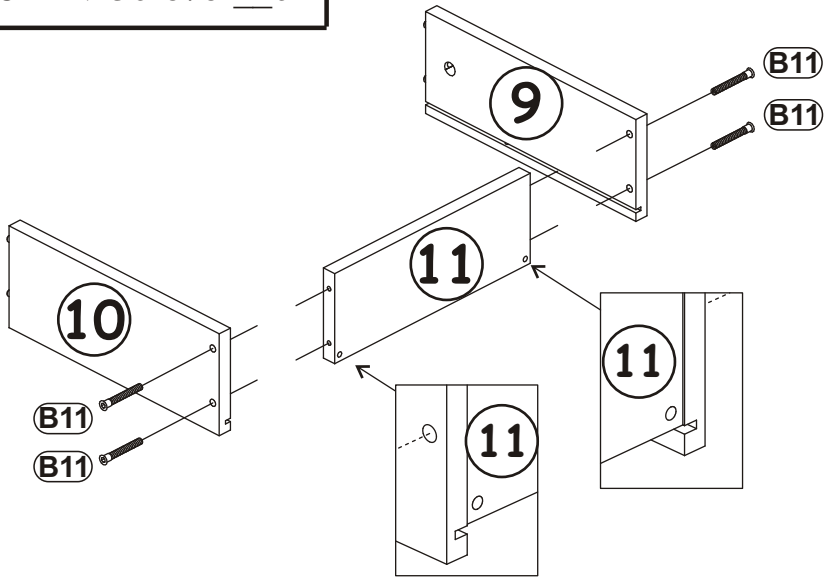
a)

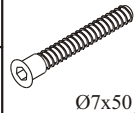



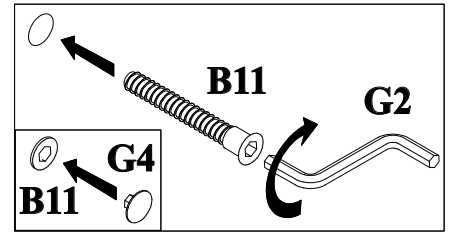
b)



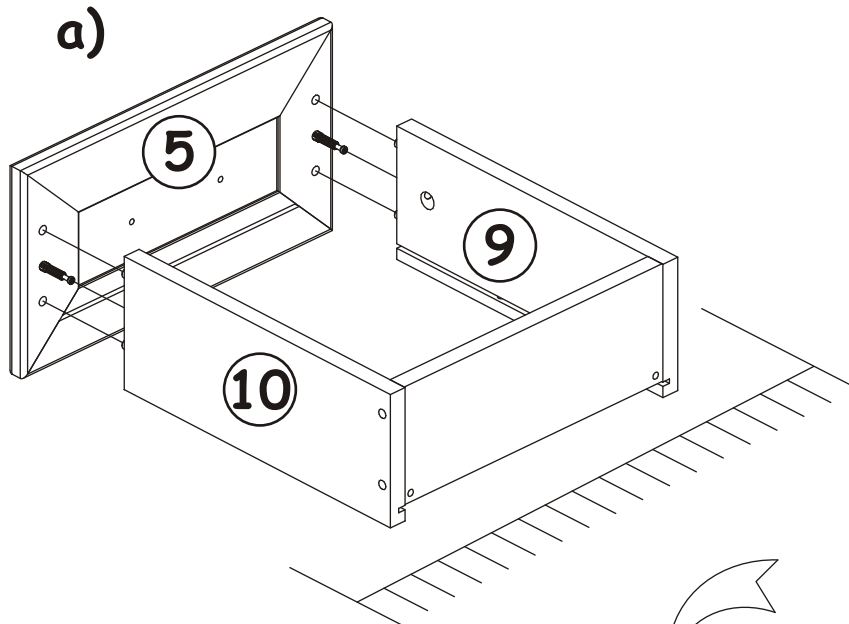
8




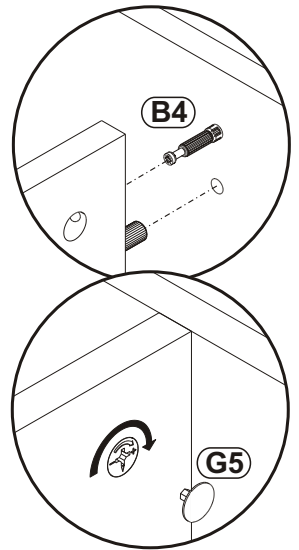
B11		G4	
x4	Ø7x50	x4	



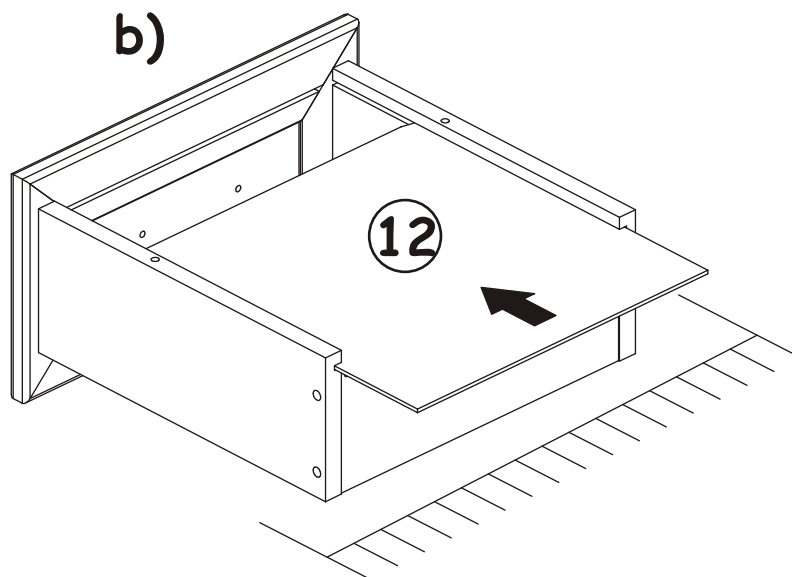
9



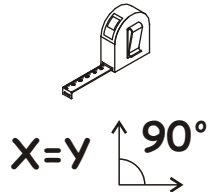
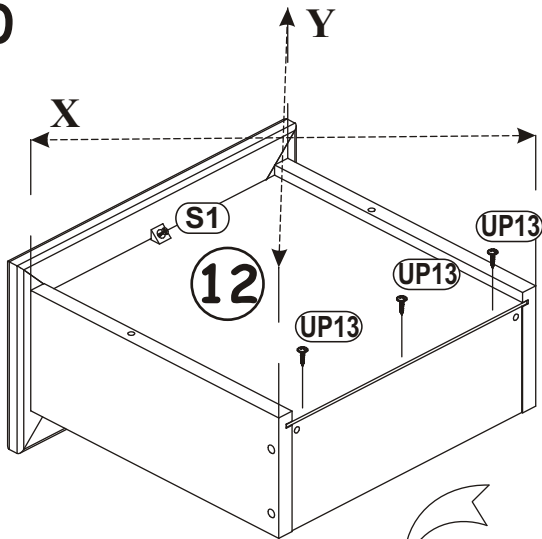
G5	
x2	



180°

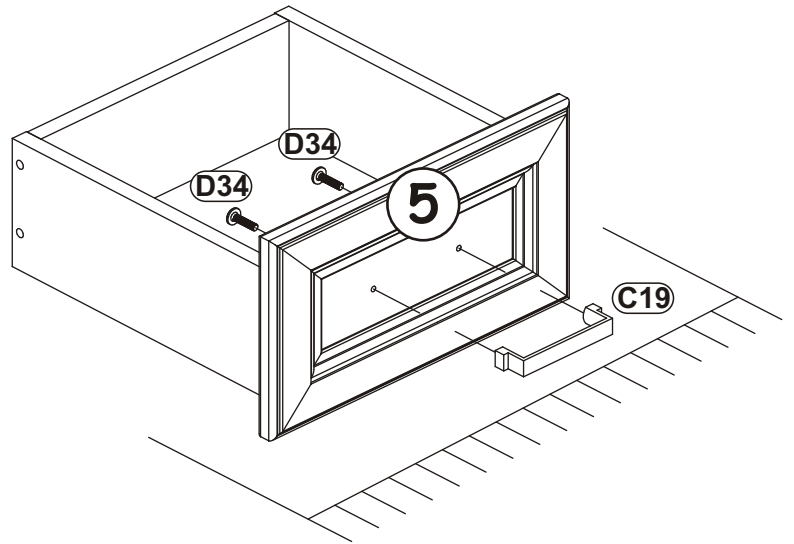
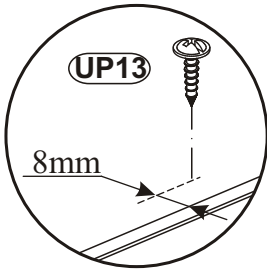
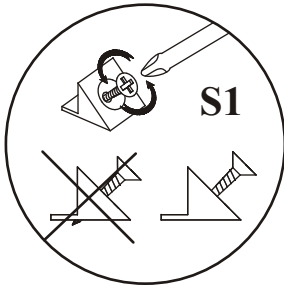


10

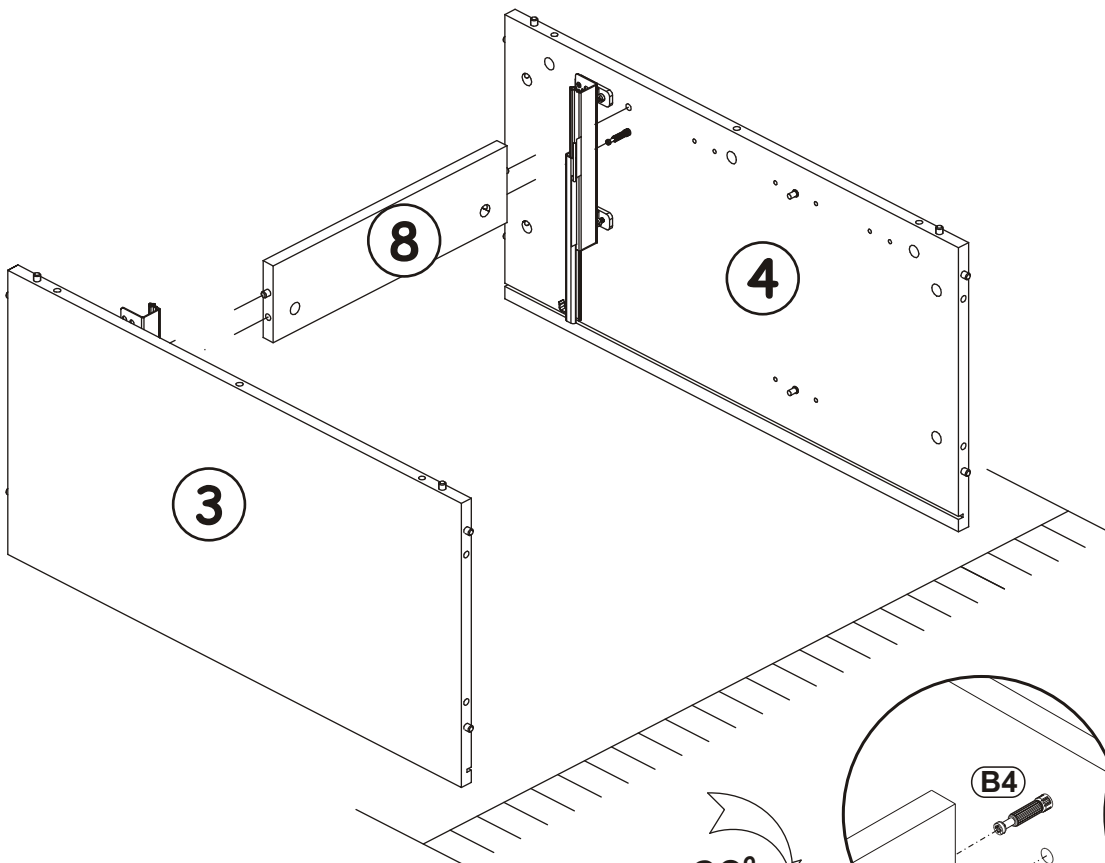


S1		UP13	
x1		x3	UPØ3x16

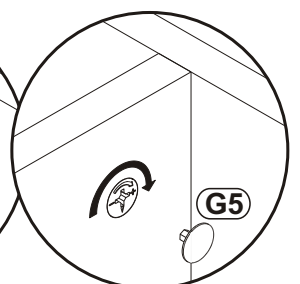
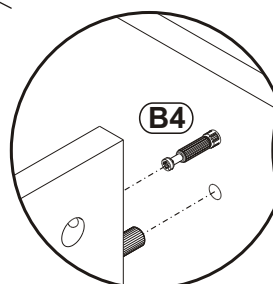
C19		D34	
x1		x2	M4x16




11



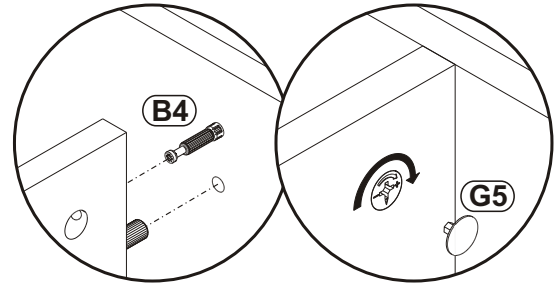
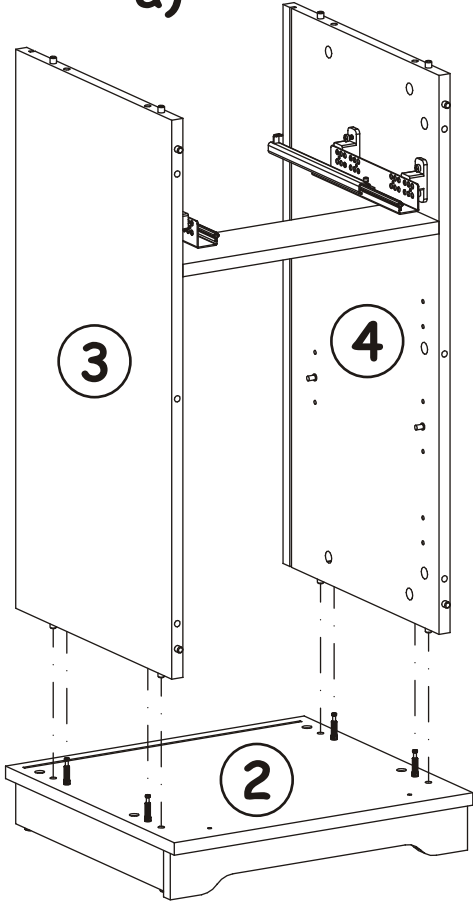
G5	
x2	



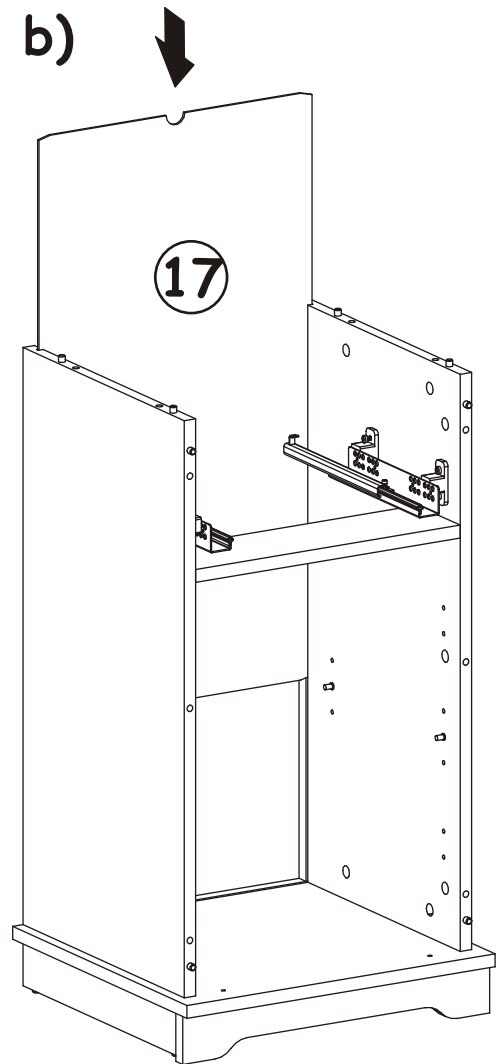
G5	
x8	

12

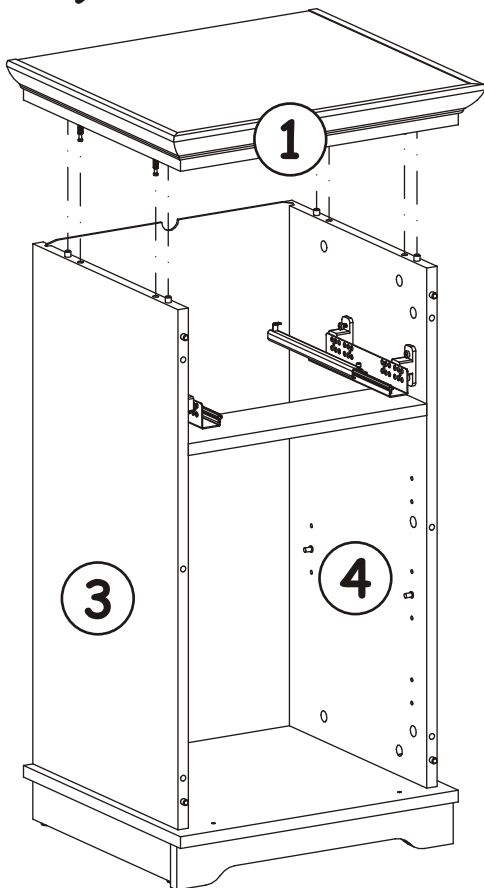
a)



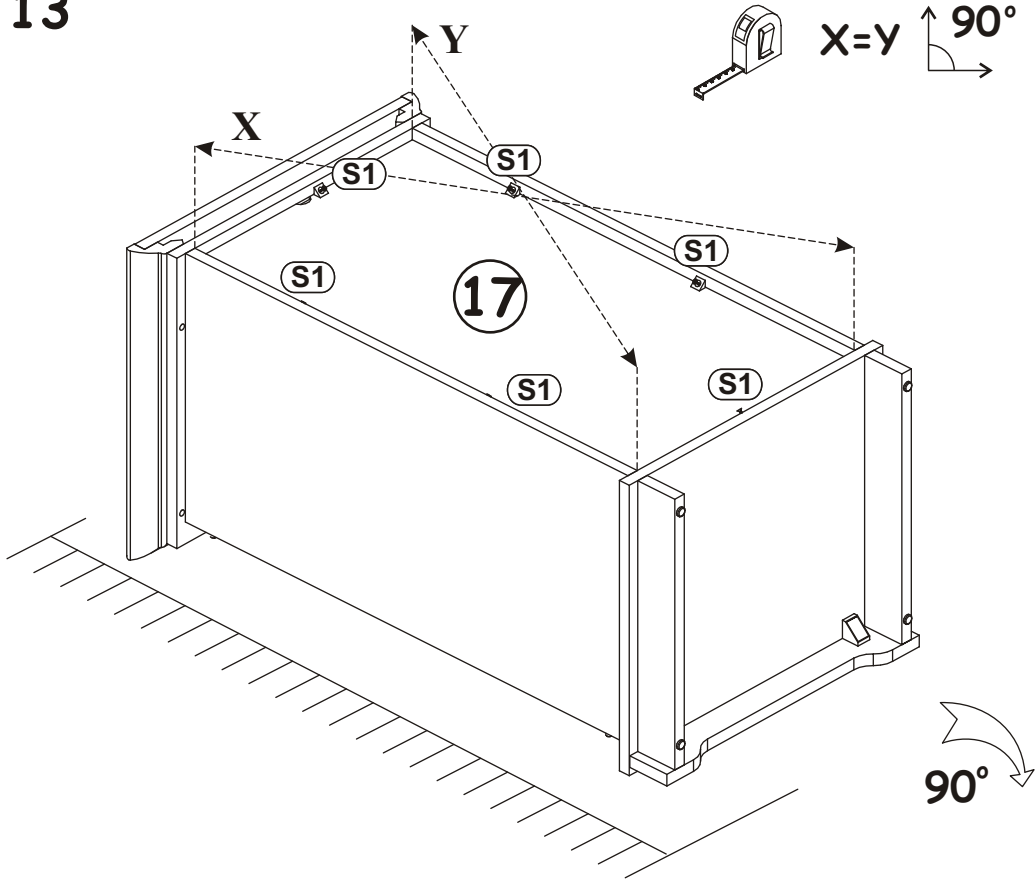
b)

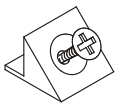


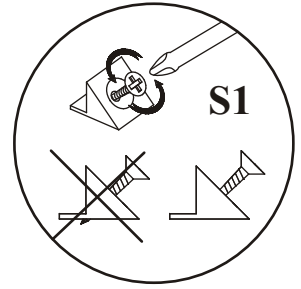
c)



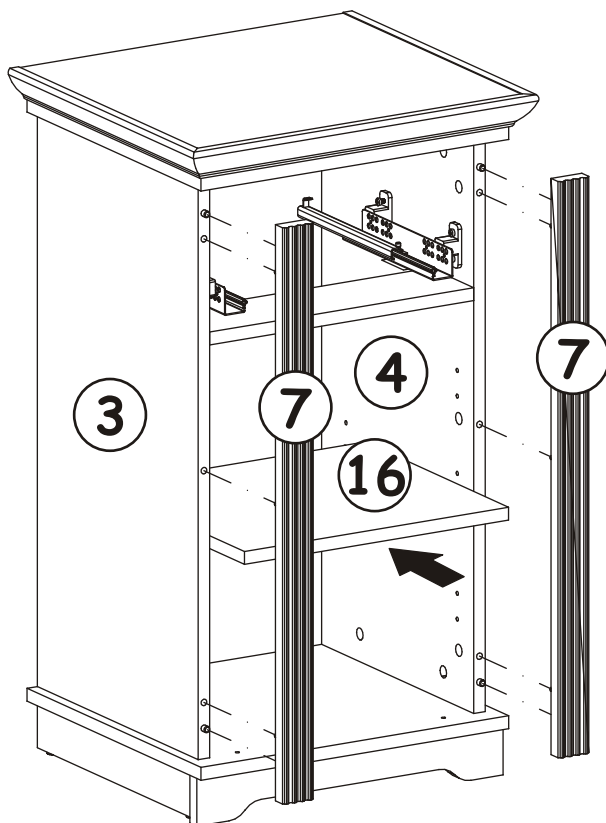
13




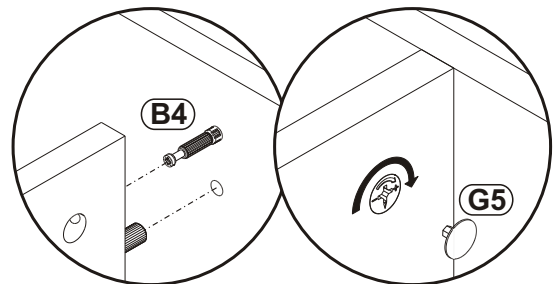
S1	
x6	



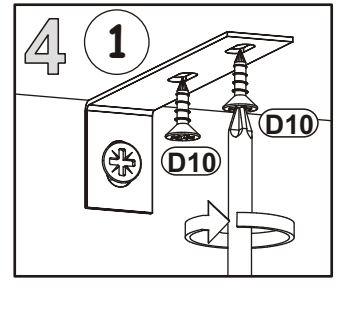
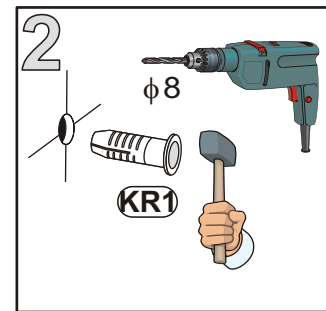
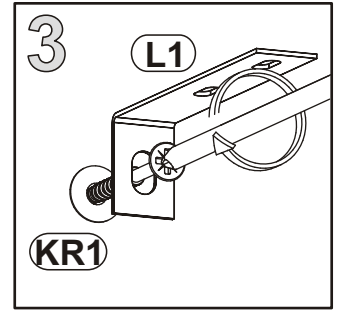
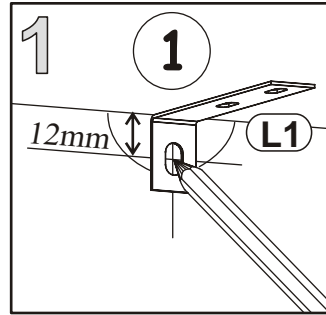
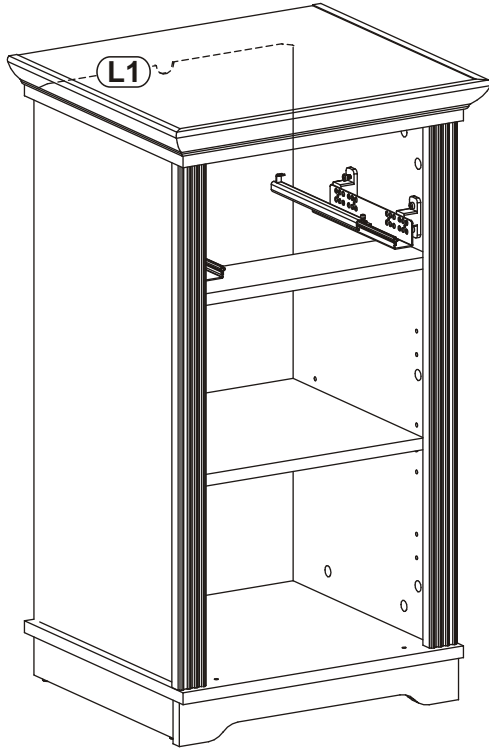
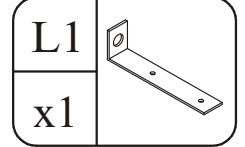
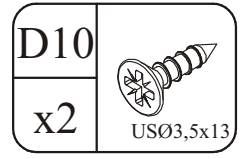
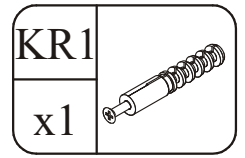
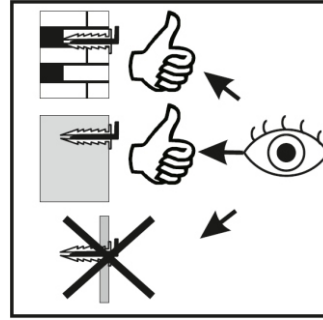
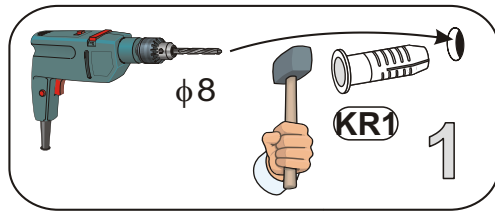
14



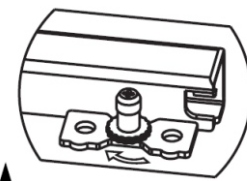
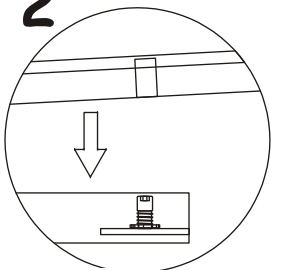
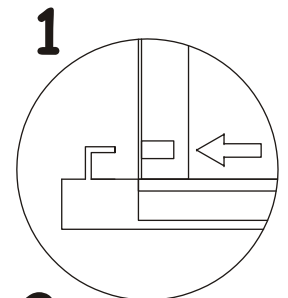
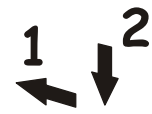
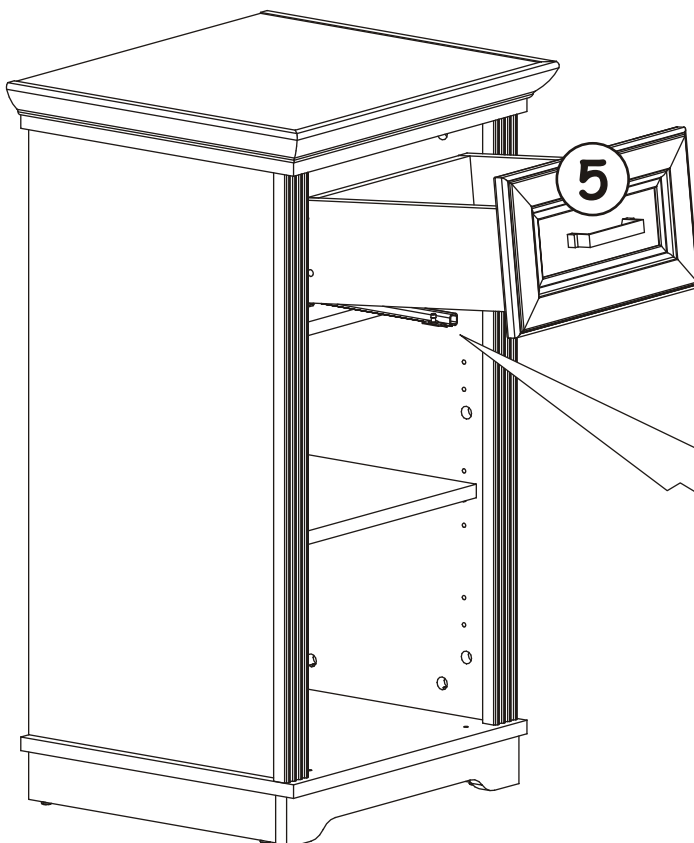
G5	
x6	



15

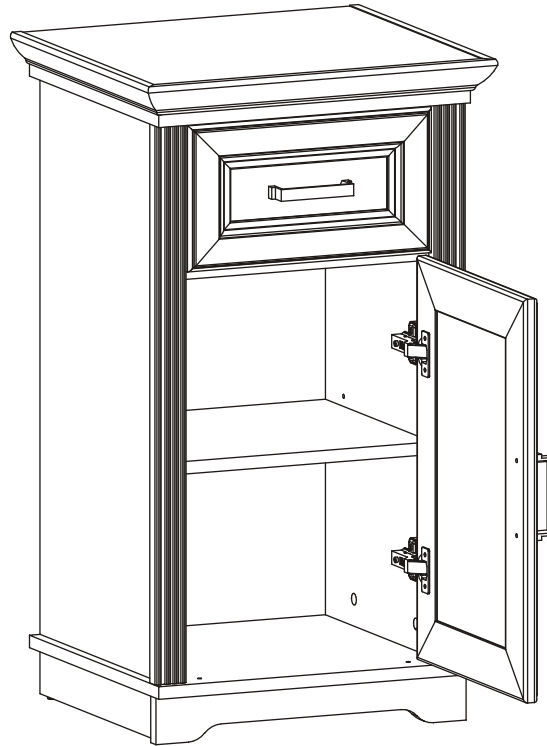


16

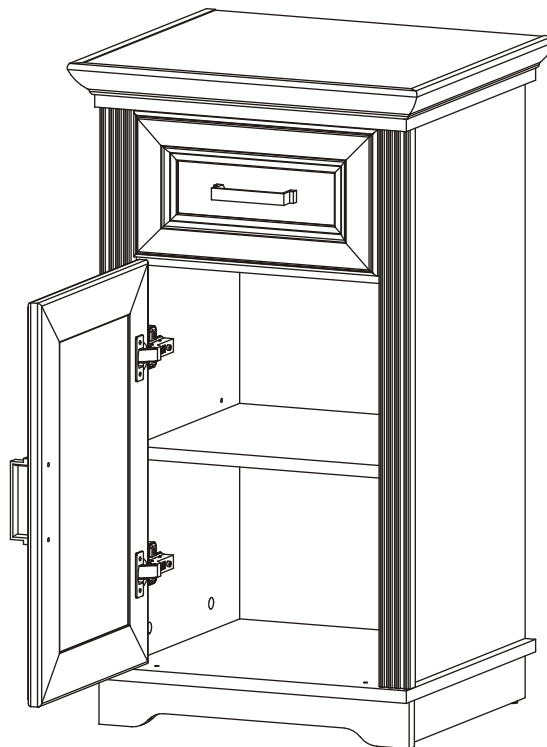


+4mm ↑

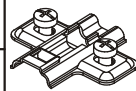
17-20




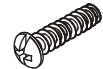
21-24




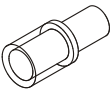
17

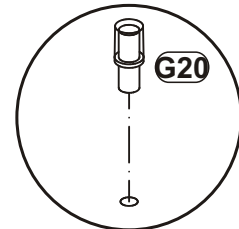
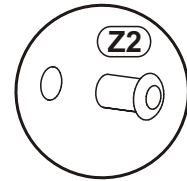
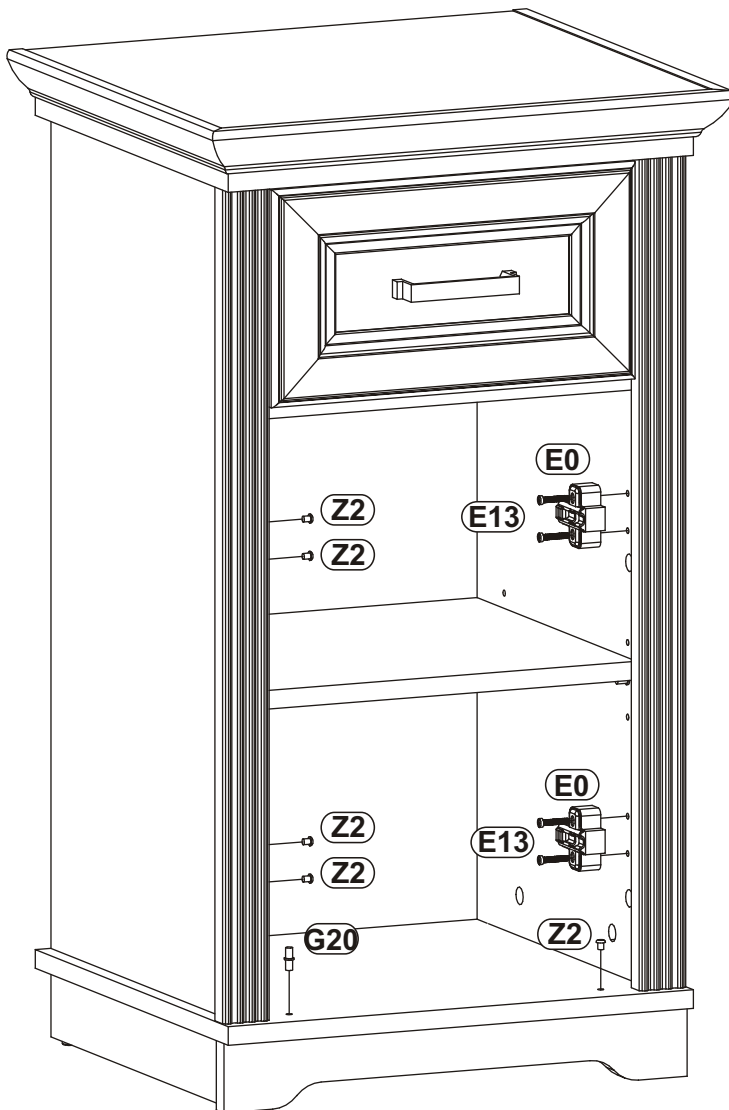
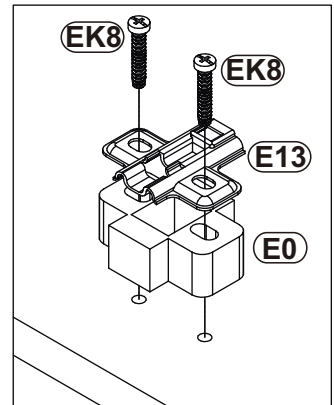
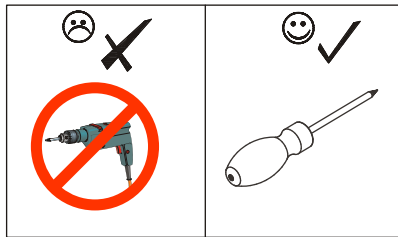
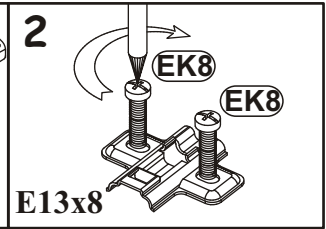
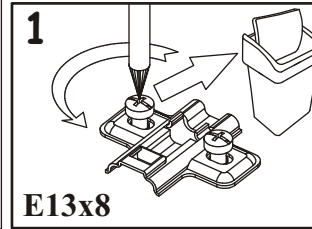
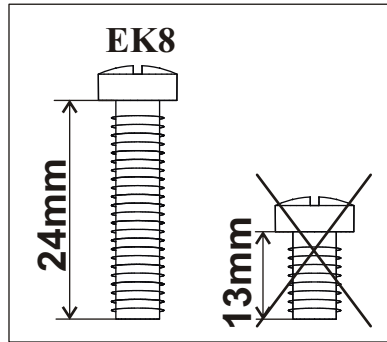
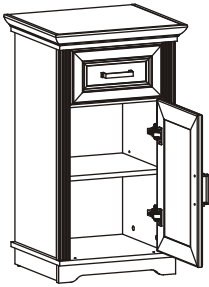
E13	
x2	H=0

E0	
x2	H=11

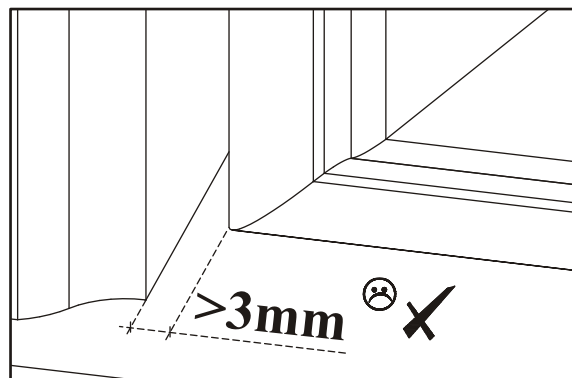
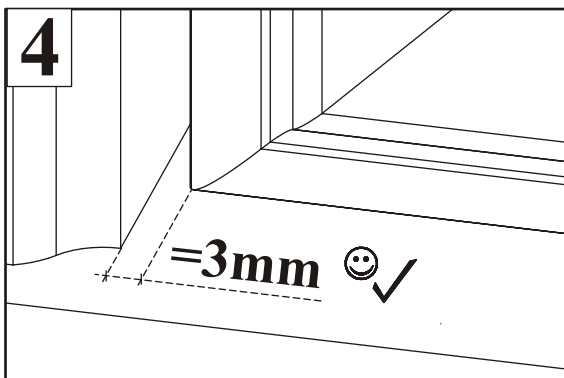
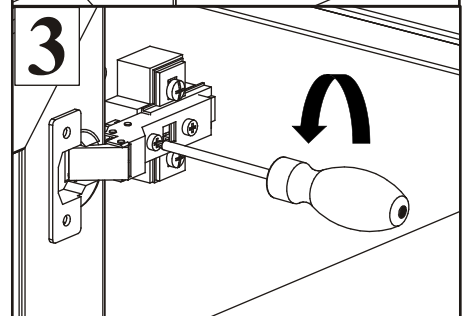
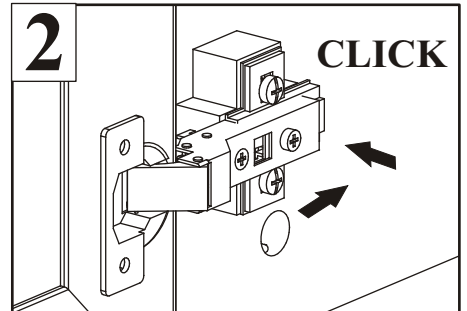
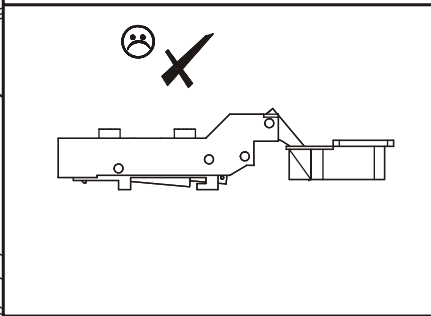
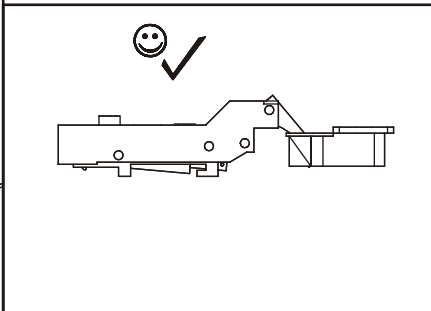
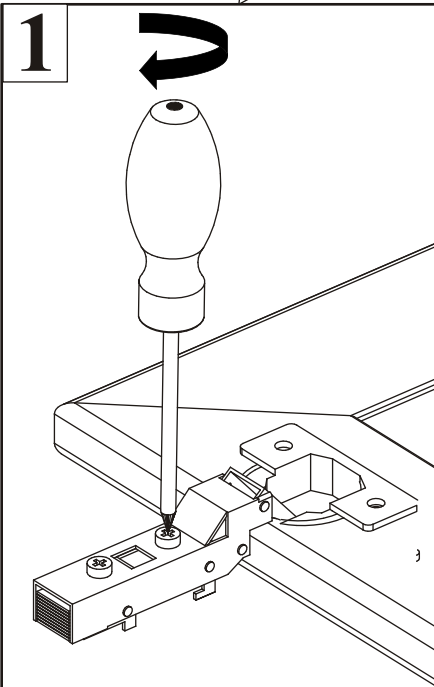
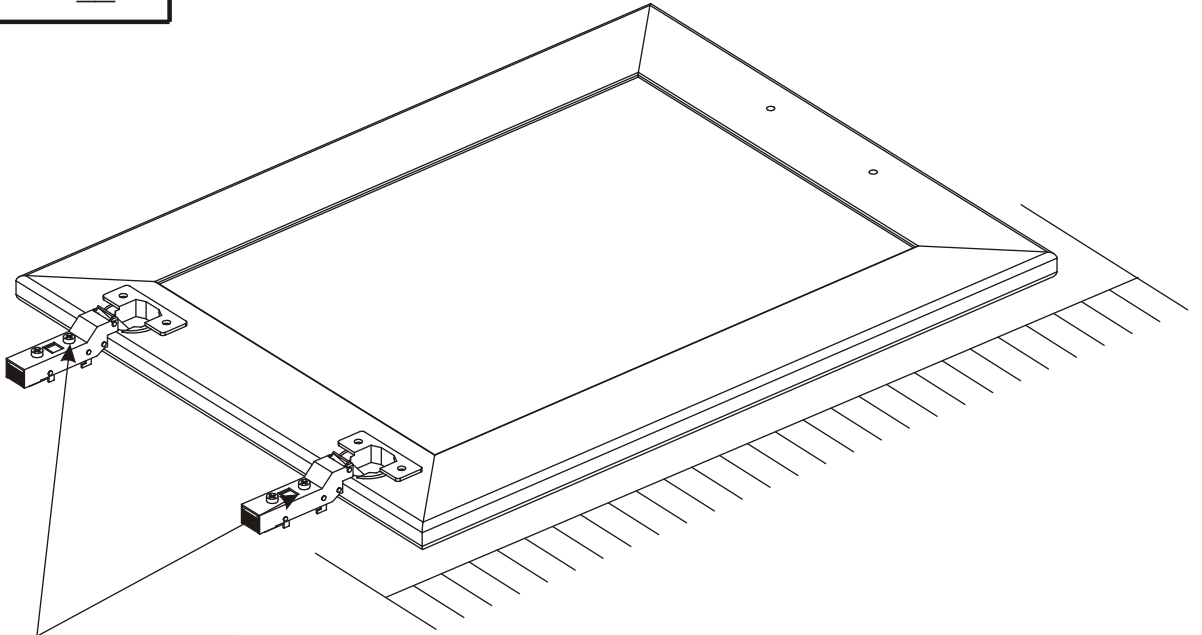
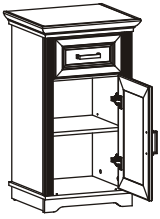
EK8	
x4	EKØ6,3x24

Z2	
x5	Ø5

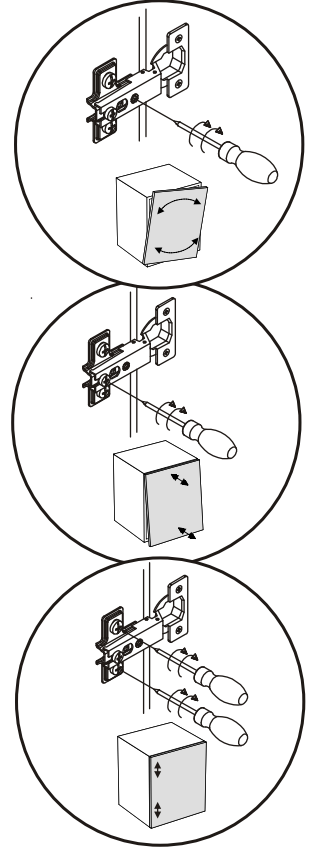
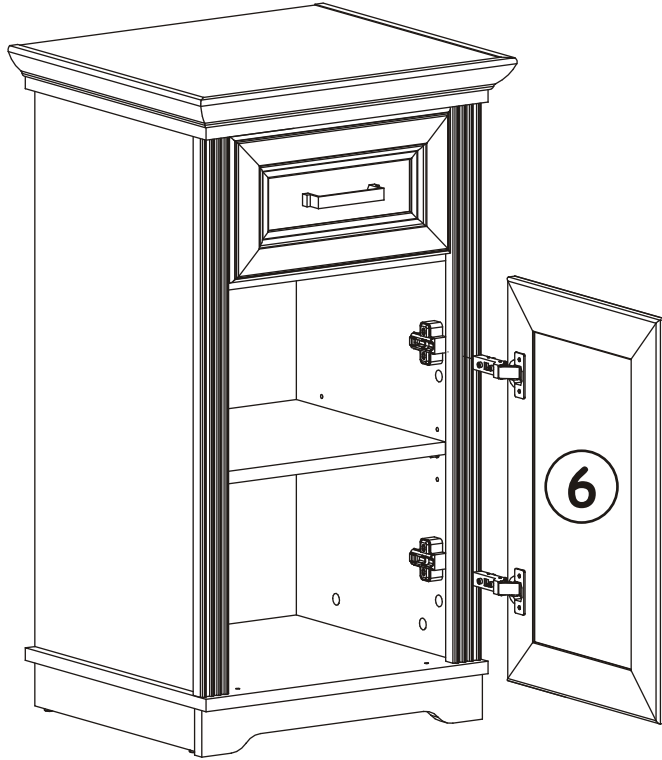
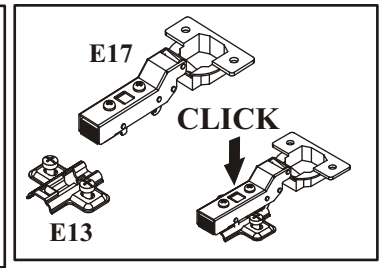
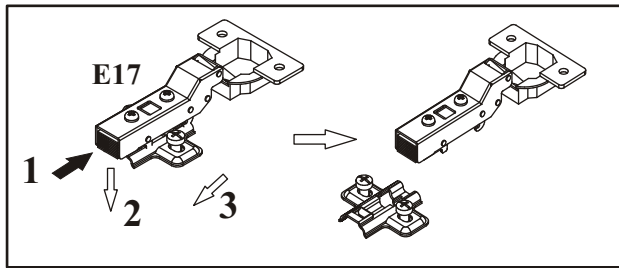
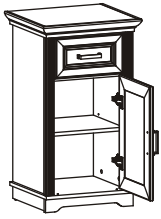
G20	
x1	



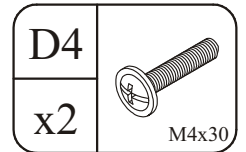
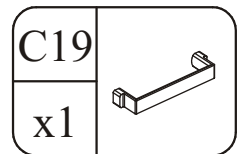
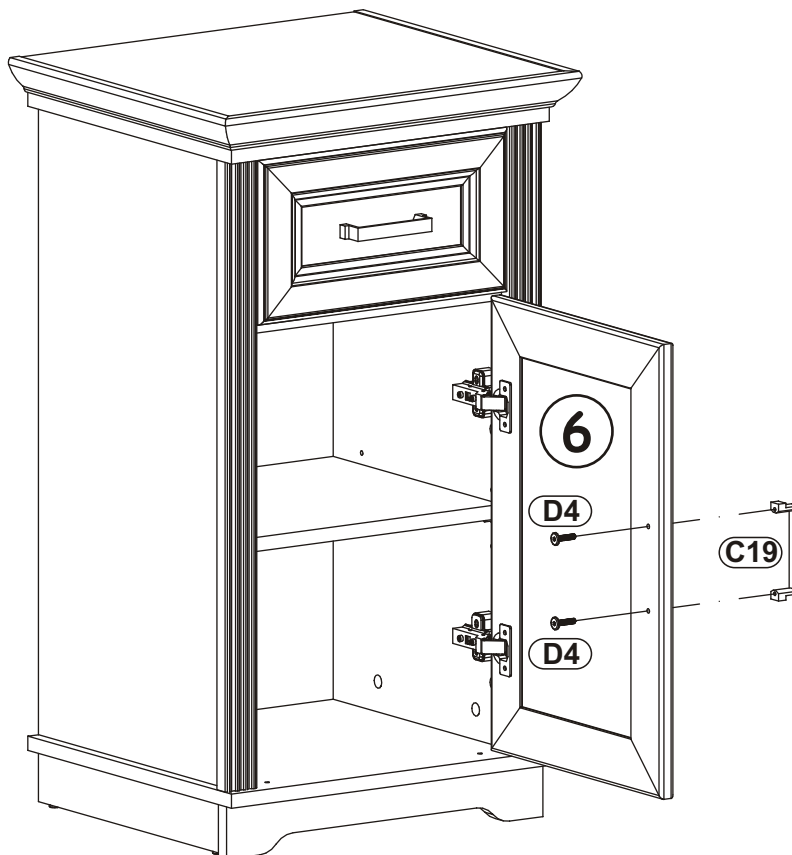
18



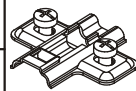
19




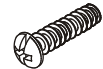
20




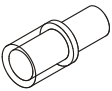
21

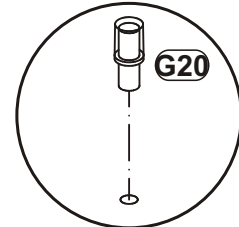
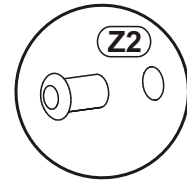
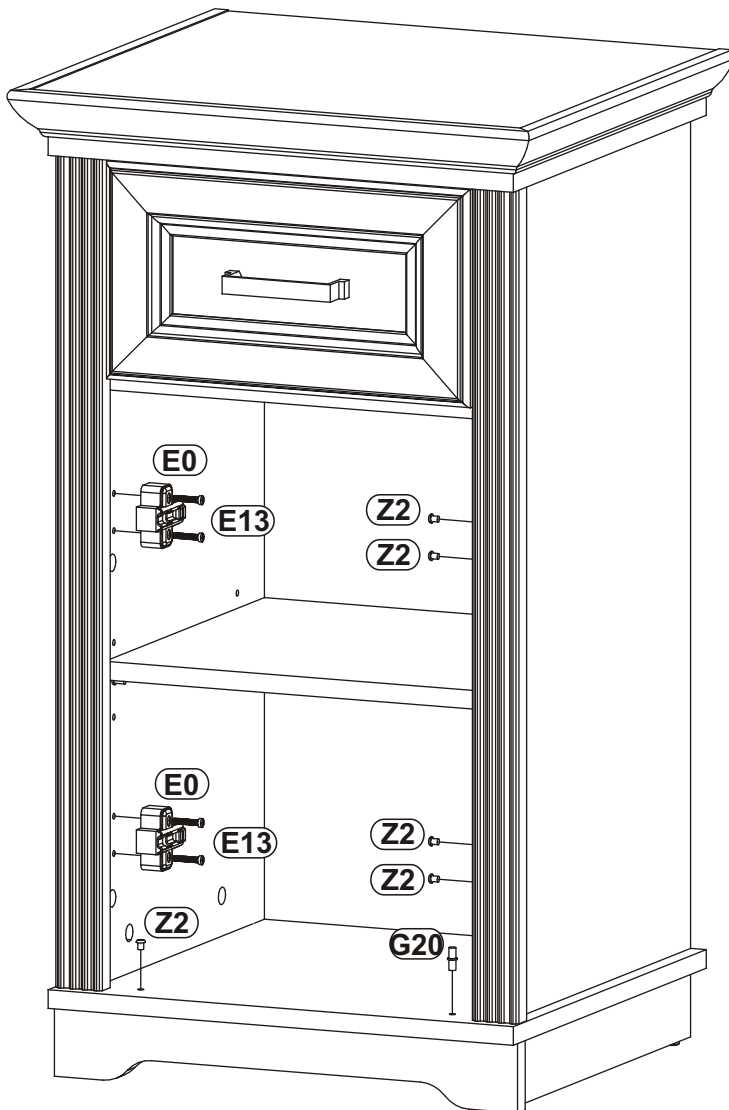
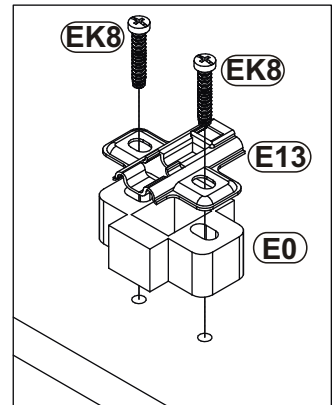
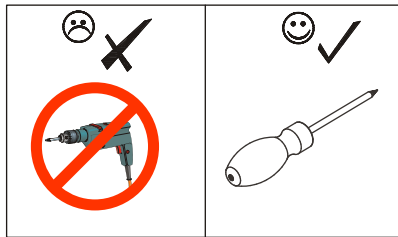
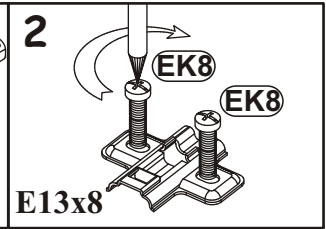
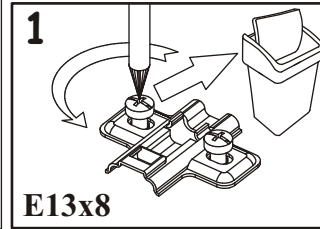
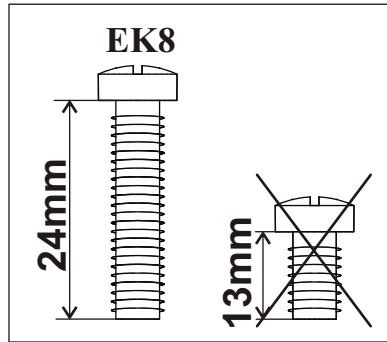
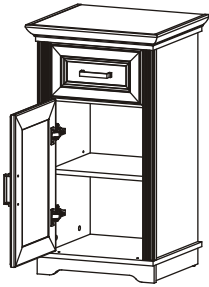
E13	
x2	H=0

E0	
x2	H=11

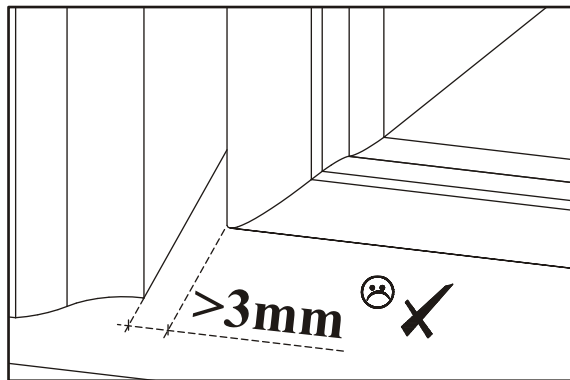
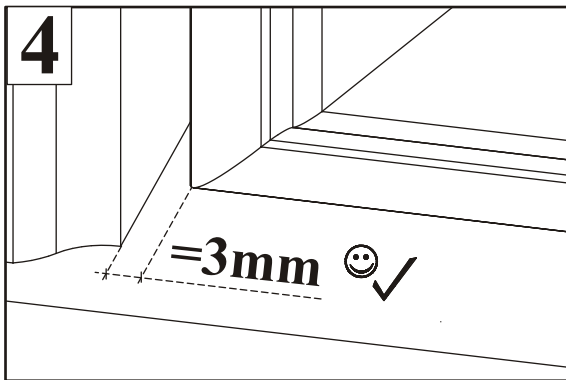
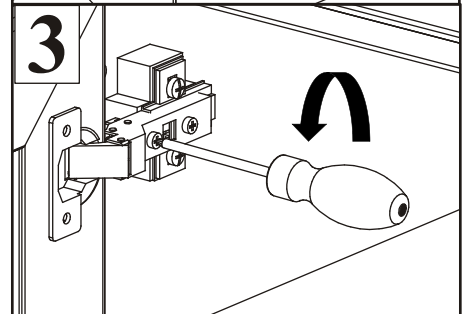
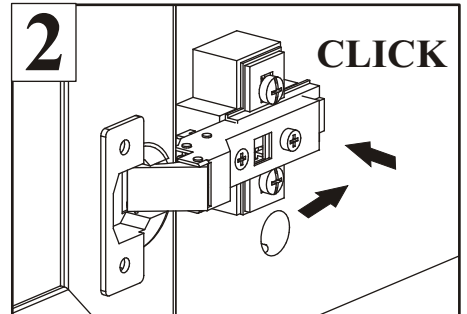
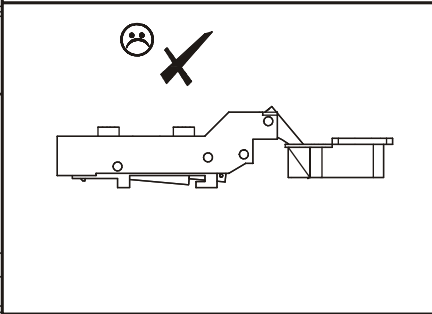
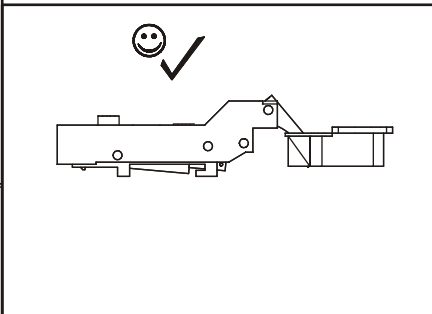
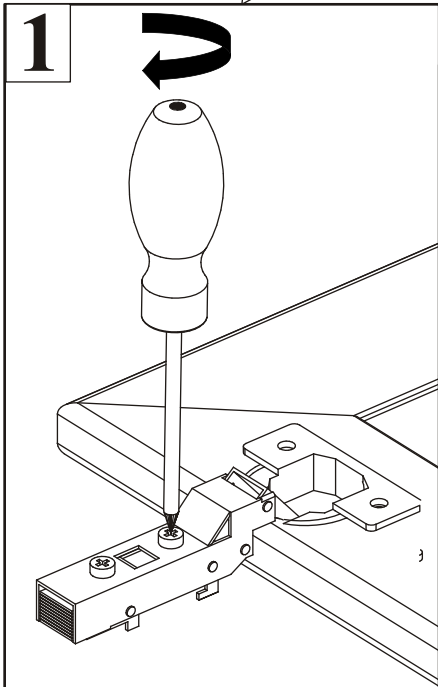
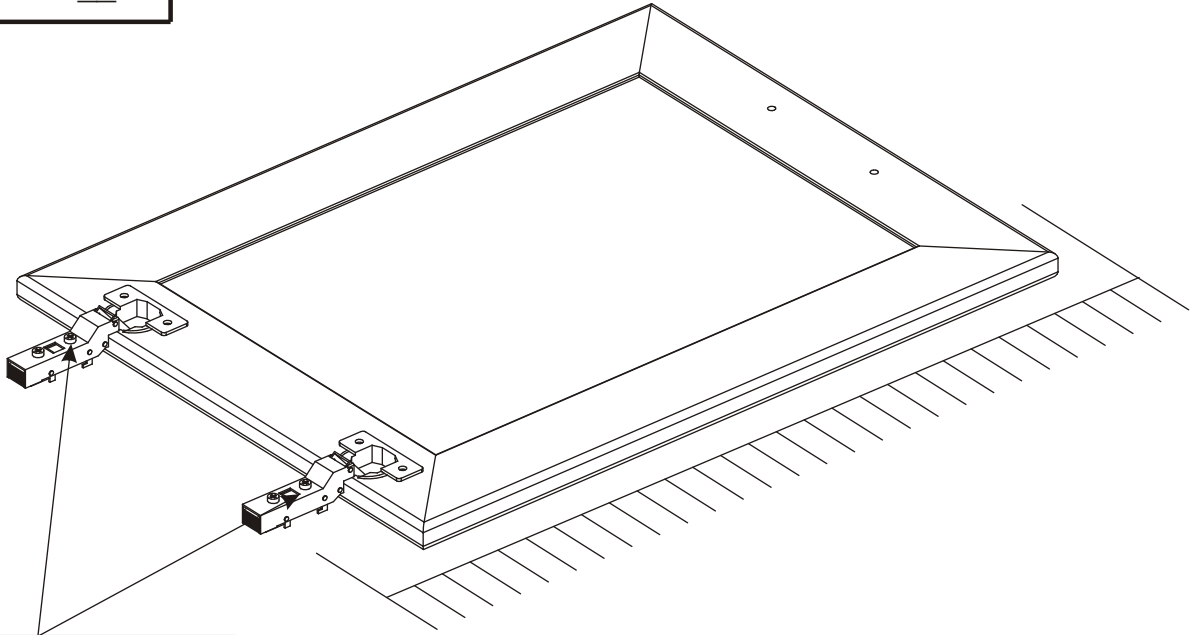
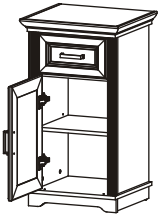
EK8	
x4	EKØ6,3x24

Z2	
x5	Ø5

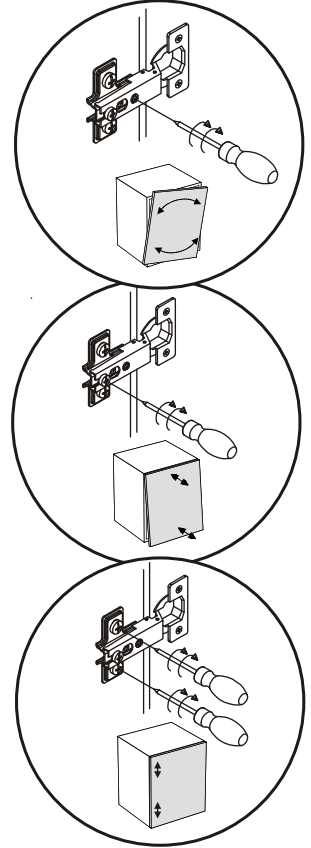
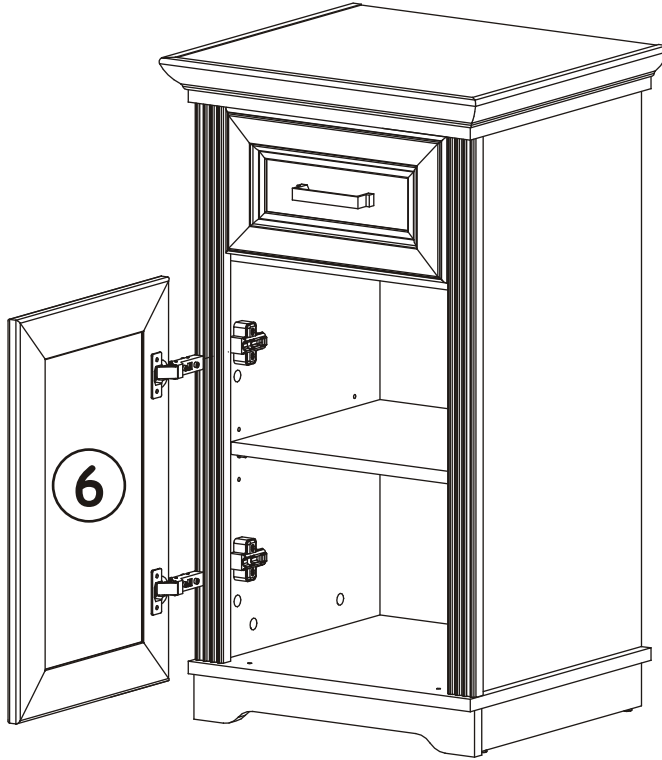
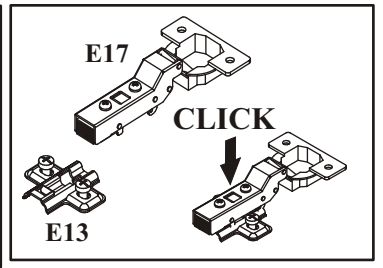
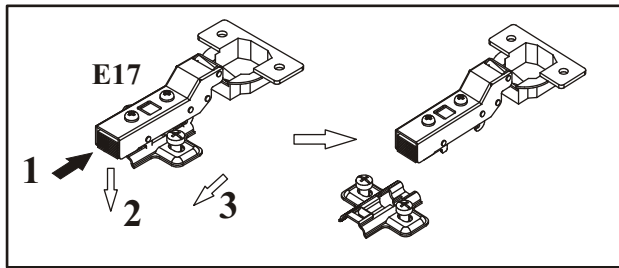
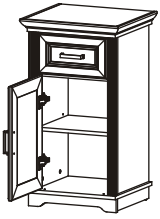
G20	
x1	



22



23



24

