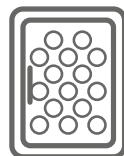


Amica

OPERATING INSTRUCTIONS
GEBRAUCHSANWEISUNG
NÁVOD K OBSLUZE
NÁVOD NA OBSLUHU
NOTICE D'UTILISATION
INSTRUKCJA OBSŁUGI
MANUAL DE INSTRUCCIONES

EN
DE
CS
SK
FR
PL
ES



Wine cooler / Weinklimaschrank / Vinotéka / Vinotéka /
Cave à vin / Chłodziarka do wina / Vinoteca

WCF1K* / WCB1K* / WCU2K* /
WFBB* / WBA* / WBB* / WFBA* /
WK 341*S / WCB2K*



IO-RFW-0015/5
(10.2019)

EN- Table of contents

GUIDELINES CONCERNING THE SAFETY OF USE	10
INSTALLATION AND OPERATING CONDITIONS OF THE APPLIANCE	12
CLIMATE RANGE	13
PRACTICAL EVERYDAY TIPS	13
UNPACKING	15
DISPOSAL OF OLD APPLIANCE	16
CONTROLS	17
APPLIANCE CONTROLS- SINGLE AND DUAL ZONE	17
TO SWITCH THE POWER ON/OFF	17
TO CHANGE THE TEMPERATURE	17
OPTIMAL TEMPERATURE SELECTION	18
TO USE THE INTERNAL LIGHT	18
INTERNAL HUMIDITY	18
TEMPERATURE DISPLAY	18
SILENT MODE	18
DYNAMIC COOLING MODE	18
WEEKEND MODE	19
TEMPERATURE ALARM	19
CARE AND CLEANING	20
REMOVING THE SHELVES	20
CLEANING	20
TROUBLESHOOTING	20
IF THE APPLIANCE IS NOT WORKING, CHECK	20
THE APPLIANCE IS WORKING, BUT NOT VERY WELL, CHECK	21
THE APPLIANCE IS NOISY, CHECK	21
THE LIGHT DOES NOT WORK, CHECK	21
THE DOOR WILL NOT CLOSE PROPERLY, CHECK	21
THE DISPLAY SHOWS "E1" OR "E2"	21
WARRANTY AND AFTER SALES SERVICE	22
WARRANTY	22

DE- Inhaltsverzeichnis

SICHERHEITSHINWEISE	24
INBETRIEBNAHME UND BETRIEBSBEDINGUNGEN DES GERÄTES	26
KLIMAKLASSE	27
PRAKTISCHE RATSCHLÄGE	28
AUSPACKEN	29
ENTSORGUNG VON ALTGERÄTEN	30
STEUERUNGSKOMPONENTEN	31
STEUERUNGSKOMPONENTEN- EIN UND ZWEI ZONEN	31
STROM EINSCHALTEN / AUSSCHALTEN	31
ÄNDERUNG DER TEMPERATUR	31
WAHL DER OPTIMALEN TEMPERATUR	32
INNENBELEUCHTUNG	32
LUFTFEUCHTIGKEIT IM KÜHLSCHRANK	32
TEMPERATURANZEIGE	32
LEISER BETRIEB	32
DYNAMISCHE KÜHLUNG	32
WOCHENENDMODUS	33
TEMPERATUR-ALARM	33
REINIGUNG UND WARTUNG	34
HERAUSNEHMEN DER REGALE	34
REINIGUNG	34
PROBLEMLÖSUNG	34
WENN DAS GERÄT NICHT FUNKTIONIERT, PRÜFEN SIE:	35
WENN DAS GERÄT ZWAR FUNKTIONIERT, ABER NICHT GUT, PRÜFEN SIE:	35
WENN DAS GERÄT LÄRM MACHT, PRÜFEN SIE:	35
WENN DIE BELEUCHTUNG NICHT FUNKTIONIERT, PRÜFEN SIE:	35
WENN DIE TÜR NICHT RICHTIG SCHLIESST, PRÜFEN SIE:	35
WENN IN DER ANZEIGE „E1“ ODER „E2“ ERSCHEINT:	35
GARANTIE, NACHVERKAUF-SERVICE	36
GARANTIE	36

CS- Obsah

POKYNY TÝKAJÍCÍ SE BEZPEČNOSTI POUŽÍVÁNÍ	38
INSTALACE A PROVOZNÍ PODMÍNKY SPOTŘEBIČE	40
KLIMATICKÁ TŘÍDA	41
PRAKTICKÉ RADY	41
VYBALENÍ	43
LIKVIDACE OPOTŘEBOVANÝCH ZAŘÍZENÍ	44
OVLÁDACÍ PRVKY	45
OVLÁDACÍ PRVKY – JEDNA A DVĚ ZÓNY	45
ZAPNUTÍ/VYPNUTÍ NAPÁJENÍ	45
ZMĚNA TEPLoty	45
VÝBĚR OPTIMÁLNÍ TEPLoty	46
VNITŘNÍ OSVĚTLENÍ	46
VNITŘNÍ VLHKOST	46
DISPLEJ TEPLoty	46
TICHÝ REŽIM	46
REŽIM DYNAMICKÉHO CHLAZENÍ	46
VÍKENDOVÝ REŽIM	47
TEPLotNÍ ALARM	47
ČISTĚNÍ A ÚDRŽBA	48
VYTAHOVÁNÍ POLIC	48
ČISTĚNÍ	48
ŘEŠENÍ PROBLÉMŮ	48
POKUD ZAŘÍZENÍ NEFUNGUJE, ZKONTROLUJTE	48
POKUD ZAŘÍZENÍ NEFUNGUJE DOBRĚ, ZKONTROLUJTE	49
POKUD JE ZAŘÍZENÍ HLUČNÉ, ZKONTROLUJTE	49
POKUD NEFUNGUJE OSVĚTLENÍ, ZKONTROLUJTE	49
POKUD DVÍŘKA NEJSOU DOBRĚ ZAVŘENÁ, ZKONTROLUJTE	49
POKUD NA DISPLEJI SVÍTÍ "E1" NEBO "E2"	49
ZÁRUKA, POPRODEJNÍ SERVIS	50
ZÁRUKA	50

SK- Obsah

DÔLEŽITÉ BEZPEČNOSTNÉ POKYNY	52
INŠTALÁCIA A PREVÁDZKOVÉ PODMIENKY SPOTREBIČA	55
KLIMATICKÁ TRIEDA	56
PRAKTICKÉ RADY	56
ROZBALENIE	57
LIKVIDÁCIA ZARIADENÍ	58
OVLÁDACIE PRVKY	59
OVLÁDACIE PRVKY – JEDNA A DVE ZÓNY	59
ZAPNUTIE / VYPNUTIE NAPÁJANIA	59
ZMENA TEPLoty	59
VOĽBA OPTIMÁLNEJ TEPLoty	60
OSVETLENIE VNÚTRA	60
VLHKOSŤ VO VNÚTRI	60
DISPLEJ TEPLoty	60
TICHÝ REŽIM	60
REŽIM DYNAMICKÉHO CHLADENIA	60
VÍKENDOVÝ REŽIM	61
ALARM TEPLoty	61
ČISTENIE A ÚDRŽBA	62
VYBERANIE POLÍC	62
ČISTENIE	62
RIEŠENIE PROBLÉMOV	62
AK ZARIADENIE NEFUNGUJE	62
AK ZARIADENIE SÍCE FUNGUJE, ALE NEFUNGUJE PRÍLIŠ DOBRE, SKONTROLUJTE	63
AK JE ZARIADENIE PRÍLIŠ HLUČNÉ	63
AK NEFUNGUJE OSVETLENIE	63
AK DVERE NIE SÚ ZATVORENÉ SPRÁVNE, SKONTROLUJTE	63
AK NA DISPLEJI SVIETI "E1" ALEBO "E2"	63
ZÁRUKA, POPREDAJNÝ SERVIS	64
ZÁRUKA	64

FR- Table des matières

CONSIGNES DE SECURITÉ D'UTILISATION	66
INSTALLATION ET CONDITIONS DE FONCTIONNEMENT DE L'APPAREIL	69
CLASSE CLIMATIQUE	70
CONSEILS PRATIQUES	70
DÉBALLAGE	71
ÉLIMINATION DES APPAREILS USAGÉS	72
ÉLÉMENTS DE COMMANDE	73
ÉLÉMENTS DE COMMANDE - UNE ET DEUX ZONES	73
ALLUMER / ÉTEINDRE L'ALIMENTATION	73
MODIFICATION DE LA TEMPÉRATURE	73
CHOIX DE LA TEMPÉRATURE OPTIMALE	74
ECLAIRAGE INTÉRIEUR	74
HUMIDITÉ INTÉRIEURE	74
AFFICHAGE DE LA TEMPÉRATURE	74
MODE SILENCIEUX	74
MODE DE REFROIDISSEMENT DYNAMIQUE	75
MODE WEEK-END	75
ALARME DE LA TEMPÉRATURE	75
NETTOYAGE ET ENTRETIEN	76
RETRAIT DES CLAYETTES	76
NETTOYAGE	76
RÉSOLUTION DES PROBLÈMES	76
SI L'APPAREIL NE FONCTIONNE PAS, VÉRIFIER	76
SI L'APPAREIL FONCTIONNE, MAIS D'UNE MANIÈRE PAS TOUT À FAIT EFFICACE, VÉRIFIER	77
SI L'APPAREIL FAIT DU BRUIT, VÉRIFIER	77
SI L'ÉCLAIRAGE NE FONCTIONNE PAS, VÉRIFIER	77
SI LA PORTE N'EST PAS FERMÉE CORRECTEMENT, VÉRIFIER	77
SI L'AFFICHEUR AFFICHE « E1 » OU « E2 »	77
GARANTIE, SERVICE APRÈS-VENTE	78
GARANTIE	78

PL- Spis treści

WSKAZÓWKI DOTYCZĄCE BEZPIECZEŃSTWA	80
INSTALACJA I WARUNKI PRACY URZĄDZENIA	83
KLASA KLIMATYCZNA	84
PRAKTYCZNE PORADY	84
ROZPAKOWANIE	85
USUWANIE ZUŻYTYCH URZĄDZEŃ	86
ELEMENTY STEROWANIA	87
ELEMENTY STEROWANIA- JEDNA I DWIE STREFY	87
WŁĄCZENIE / WYŁĄCZENIE ZASILANIA	87
ZMIANA TEMPERATURY	87
WYBÓR OPTIMALNEJ TEMPERATURY	88
OŚWIETLENIE WEWNĄTRZ	88
WILGOTNOŚĆ WEWNĄTRZ	88
WYŚWIETLACZ TEMPERATURY	88
SILENT MODE (TRYB CICHY)	88
TRYB DYNAMICZNEGO CHŁODZENIA	88
TRYB WEEKENDOWY	89
ALARM TEMPERATURY	89
CZYSZCZENIE I KONSERWACJA	90
WYJMOWANIE PÓŁEK	90
CZYSZCZENIE	90
ROZWIĄZYWANIE PROBLEMÓW	90
JEŚLI URZĄDZENIE NIE DZIAŁA, NALEŻY SPRAWDZIĆ	90
JEŚLI URZĄDZENIE DZIAŁA, ALE NIEZBYT DOBRZE, NALEŻY SPRAWDZIĆ	91
JEŚLI URZĄDZENIE HAŁASUJE, NALEŻY SPRAWDZIĆ	91
JEŚLI NIE DZIAŁA OŚWIETLENIE, NALEŻY SPRAWDZIĆ	91
JEŚLI DRZWI NIE SĄ ZAMKNIĘTE PRAWIDŁOWO, NALEŻY SPRAWDZIĆ	91
JEŚLI NA WYŚWIETLACZU ŚWIECI SIĘ "E1" LUB "E2"	91
GWARANCJA, OBSŁUGA POSPRZEDAŻOWA	92
GWARANCJA	92

ES- Tabla de contenidos

IMPORTANTES INSTRUCCIONES DE SEGURIDAD	94
INSTALACIÓN Y CONDICIONES DE TRABAJO DEL APARATO	96
CLASE CLIMÁTICA	97
CONSEJOS PRÁCTICOS	98
DESEMBALAJE	99
ELIMINACIÓN DE APARATOS USADOS	100
ELEMENTOS DE CONTROL	101
ELEMENTOS DE CONTROL - UNA Y DOS ZONAS	101
ACTIVACIÓN / DESACTIVACIÓN DE ALIMENTACIÓN	101
CAMBIO DE TEMPERATURA	101
SELECCIÓN DE TEMPERATURA ÓPTIMA	102
ILUMINACIÓN DEL INTERIOR	102
HUMEDAD EN EL INTERIOR	102
VISUALIZADOR DE TEMPERATURA	102
MODO DE INSONORIZACIÓN	102
MODO DE REFRIGERACIÓN DINÁMICA	102
MODO FIN DE SEMANA	103
ALARMA DE TEMPERATURA	103
LIMPIEZA Y CONSERVACIÓN	104
RETIRADA DE ESTANTES	104
LIMPIEZA	104
SOLUCIÓN DE PROBLEMAS	104
SI EL APARATO NO FUNCIONA, DEBE COMPROBAR	104
SI EL APARATO FUNCIONA PERO NO FUNCIONA LO SUFICIENTE BIEN SE DEBE COMPROBAR	105
SI EL APARATO HACE RUIDO, SE DEBE COMPROBAR	105
SI LA ILUMINACIÓN NO FUNCIONA, SE DEBE COMPROBAR	105
SI LA PUERTA NO ESTÁ CERRADA CORRECTAMENTE, SE DEBE COMPROBAR	105
SI EN EL VISUALIZADOR ILUMINA "E1" O "E2"	105
GARANTÍA, ATENCIÓN DE POST VENTA	106
GARANTÍA	106

Dear customer,

From now on, your daily housework will be easier than ever before. Your appliance **Amica** is exceptionally easy to use and extremely efficient. After reading these Operating Instructions, operating the appliance will be easy.

Before being packaged and leaving the manufacturer, the appliance was thoroughly checked with regard to safety and functionality.

Before using the appliance, please carefully read these Operating Instructions. By following these instructions carefully you will be able to avoid any problems in using the appliance. It is important to keep these Operating Instructions and store them in a safe place so that they can be consulted at any time.

Follow these instructions carefully in order to avoid possible accidents.

Sincerely,

Amica

GUIDELINES CONCERNING THE SAFETY OF USE

- The appliance is intended for household use only.
- The manufacturer reserves the right to introduce changes which do not affect the operation of the appliance.
- The Manufacturer shall not be held liable for damage arising from the failure to observe the instructions contained in this manual.
- Keep this manual for future reference, or to pass it over to the next user.
- This appliance is not intended for use by persons (including children) with limited physical or mental capabilities and persons who lack experience or familiarity with the appliance.
- Do not allow children to use the appliance. Do not allow them to play with the appliance. They must not climb inside the drawers and swing on the doors.
- The appliance operates properly at the ambient temperature (see product fiche). Do not use it in the cellar, unheated summer cottage during autumn and winter.
- When placing, moving, lifting the appliance, do not hold the door handles, do not pull the condenser at the rear part of the refrigerator and do not touch the compressor unit.
- Pull the plug out from the mains socket before each maintenance activity. Do not pull on the cord, but hold the body of the plug instead.
- The “cracking” sound, which the appliance may emit is caused by the expansion and contraction of parts as a result of temperature variations.
- For safety reasons do not repair the appliance yourself. Repairs carried out by persons who do not have the required qualifications may result in serious danger for the user of the appliance.

- Make sure you do not damage the cooling system, by puncturing the refrigerant pipes in the evaporator or breaking the pipes. The refrigerant is flammable. If the refrigerant makes contact with the eyes, rinse them with clean water and call for medical assistance immediately.
- Important! If the power cord is damaged, it should be replaced by the manufacturer or specialist repair centre or a qualified person in order to avoid danger.
- When performing activities, such as cleaning, maintenance or moving, the appliance must be completely disconnected from power supply (by pulling the plug out from the socket)
- This appliance can be used by children aged 8 years and older or by persons with physical, mental or sensory handicaps, or by those who are inexperienced or unfamiliar with the appliance, provided they are supervised or have been instructed how to safely use the appliance and are familiar with risks associated with the use of the appliance. Ensure that children do not play with the appliance. Cleaning and maintenance of the appliance should not be performed by children unless they are 8 years or older and are supervised by a competent person.
- Do not clean the appliance with steam
- Keep the appliance and its power cord away from children under 8 years old.
- Do not immerse the power cord or plug in water.
- Keep cord away from heated surfaces.
- Do not allow the connection cord hanging over the edge of a table or counter.
- Do not use any electrical appliances inside the chamber
- Do not use any tools to speed up the defrosting process

- Regularly clean the ventilation openings (in case of built-in appliances or those installed under the worktop)
- This appliance is not designed to be controlled by electronic timers or other devices that cut off power directly or remotely.
- In case of accidental spillage of liquids on electrical components, immediately unplug your appliance from the power supply.
- Make sure that the power cord is not crushed or damaged during installation.
- Disable the appliance before disposing of it. Unplug the appliance from the power supply and cut off the power cord. To prevent children or animals from being trapped in the appliance, remove the doors, hinges and locks.

INSTALLATION AND OPERATING CONDITIONS OF THE APPLIANCE

- Connect the appliance to the power supply 24 hours after unpacking and setting in the final location.
- Take the product out of the package, remove the scotch tape protecting the door and the equipment. Any remaining adhesive stains may be removed with a mild washing agent.
- Clean the interior surface of the cooler and the elements of the equipment with a washing agent dissolved in lukewarm water, then wipe it dry.
- Place the cooler on an even, flat and stable surface, in dry, aired and shaded room, far from the heat sources such as: oven, hob, central heating radiators, central heating pipes, hot water installation, etc.
- On the exterior surface of the product may be a protective foil, this foils should be removed.
- Make sure the appliance is placed in a horizontal position by screwing in the 2 adjustable front legs (fig. 1)
- Keep free space on the sides and rear of the appliance (see installation drawing)
- When you install your wine cooler inside a furniture cabinet, make sure that the ventilation grille located in the bottom of the appliance is not blocked.
- Odours may be released when you first start your appliance. It will dissipate when the interior of the appliance cools down
- When you first start your wine cooler, the compressor will run continuously until the desired temperature is reached inside the chamber

- When you unplug your appliance from the power supply, it is recommended to wait 5 minutes before you plug it back in. This will reduce the risk of damage to the compressor.
- On selected models, the correct temperature will be shown on the display only a few hours after the wine cooler has been put into operation
- This appliance should be connected to AC 220-240V 50Hz supply socket. The socket must be fitted properly, and must be supplied with an earthing conduit and a 10A fuse.
- It is a legal requirement that the appliance is properly earthed. The manufacturer will not be held liable for any damage or injury which may result from the failure to fulfil this requirement.
- Do not use adapters, multiple sockets and two-wire extension leads. If it is necessary to use the extension lead, it must be equipped with a protection ring and a single socket and must have a VDE/GS safety certificate.
- If an extension lead is used (with a protection ring and safety certificate), its socket must be located at a safe distance, away from the sinks, and must not be in a place where it could be flooded by water or waste water.
- Make sure the appliance can be easily disconnected from the mains, either by pulling the plug out of the mains socket, or by switching the two-pole switch off.

Climate range

The information about the climate range of the appliance is provided on the rated plate. It indicates at which ambient temperature (that is, room temperature, in which the appliance is working) the operation of the appliance is optimal (proper).

Climate range	Permissible ambient temperature
SN	from +10°C to +32°C
N	from +16°C to +32°C
ST	from +16°C to +38°C
T	from +16°C to +43°C

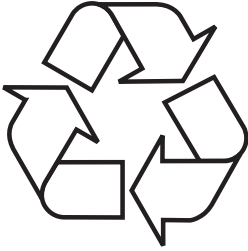
PRACTICAL EVERYDAY TIPS

- If the light inside the appliance remains turned on, keep in mind that the temperature inside the appliance will be higher
- Temperature inside the appliance depends on the amount and type of stored wine bottles
- To ensure user safety and high quality of stored wine, do not install the appliance in damp rooms
- Store wine bottles in designated spaces
- Your wine cooler has a limited capacity. Do not place more bottles in your wine cooler than recommended in specification
- Do not open the wine cooler door if it is not necessary
- Do not cover the shelves with aluminium foil or other material. This

- blocks the air circulation inside the appliance
- To avoid damage to the door seal, make sure that the door is completely open before pulling out the shelf. The shelves should be inserted as far as possible, otherwise the shelf may deform and damage the door seal.
- Do not extend the loaded shelves beyond the extension limit (about 1/3 of the shelf length)
- This appliance is designed for storing bottles of wine. Do not use it for any other purpose.
- Temperature stability is very important when storing wine.
- Exposing your wine cooler to sunlight, significant temperature fluctuations, high humidity and vibrations may cause the wine to go bad.
- In periods of high humidity, condensed water vapour may appear on the outer surfaces of the glass door. To prevent this, install the appliance in a dry, adequately ventilated room.
- Selected models have an external handle. You need to install it on your own. Do not use electric tools for this purpose (fig. 3*).
- The maximum capacity of the appliance is given in the product sheet enclosed with the wine cooler. This capacity applies to standard 0.75 litre bottles of Bordeaux.
- Selected models have an Anti-tip kit. Install it according to the enclosed diagram (fig. 6*).

*According to the model

UNPACKING



During transportation, protective packaging was used to protect the appliance against any damage. After unpacking, please dispose of all elements of packaging in a way that will not cause damage to the environment.

All materials used for packaging the appliance are environmentally friendly; they are 100% recyclable and are marked with the appropriate symbol.

Important! Packaging materials (bags, polyethylene, polystyrene, etc.) should be kept away from children during unpacking.

DISPOSAL OF OLD APPLIANCE



In accordance with European Directive 2012/19/EU and local legislation regarding used electrical and electronic goods, this appliance is marked with the symbol of the crossed-out waste container. This marking indicates that the appliance must not be disposed of together with other household waste after it has been used.

The user is obliged to hand it over to waste collection centre collecting used electrical and electronic goods. The collectors, including local collection points, shops and local authority departments provide recycling schemes.

Proper handling of used electrical and electronic goods helps avoid environmental and health hazards resulting from the presence of dangerous components and the inappropriate storage and processing of such goods.

CONTROLS

Appliance controls- single and dual zone





The control panel is shown in figure 4. For reference it is also shown below:

Single zone



Dual zone



-  – Power button
-  – Light button
-  – “+” button
-  – “-” button

To switch the power on/off

Press and hold the power button for one second to switch the wine cooler on.

Press and hold the power button for five seconds to switch the wine cooler off.

To change the temperature

- Press the “+” or “-” buttons until the required temperature is shown on the display.
- The Preset temperature is 12°C / 54° F.
- To change the temperature display from Fahrenheit to Celsius, or Celsius to Fahrenheit, press and hold the light button for five seconds.
- To view the set temperature, touch the “+” or “-” button at any time and the set temperature will flash in the LED display for five seconds.
- The display shows the current internal temperature when the wine cooler is on.

Optimal temperature selection

Whilst wine is best stored at temperatures between 13 and 15° C, your wine can also be stored at drinking temperature. For red wine this is between 15 and 17° C, and for white wine between 12 and 13° C.

To use the internal light

Press the light button to switch the light on or off.

Note: The temperature in the lower zone must be set either the same as or higher than the temperature in the upper zone. For optimal performance, the temperatures in the two zones should differ by at least 4° C.

Internal Humidity

According to the model wine coolers are equipped with a humidity system to maintain optimal humidity within the wine cooler. Fill the humidity reservoir approximately 3/4 full with water. Place the reservoir on the runners on the top shelf as shown in fig. 2. Ensure it is located correctly to prevent water spillage. Check the water level regularly and refill if required.

Temperature display

The temperature display will show the current internal temperature.

The display flashes:

- When a different temperature is being set
 - If the internal temperature is +/- 5° away from the set temperature.
- This serves as a warning to prevent damage to the contents of the appliance should the temperature be too high.

Silent mode

Once the required temperature is reached, the appliance will run without the fan. The wine cooler is factory set to silent mode. To change to dynamic cooling mode, touch and hold the "-" button for approximately five seconds (left hand "-" button on 2-Zone coolers). The wine cooler will beep five times to confirm dynamic cooling is on.

Dynamic cooling mode

The fan cycles on and off to circulate the air even after the required temperature is reached. This ensures consistent humidity and temperature distribution in the wine cooler, creating perfect conditions for long term storage.

Using the dynamic mode increases the level of noise in operation.

To change to silent mode, touch and hold the "+" button for approximately five seconds (left hand "+" button on 2-Zone coolers). The wine cooler will beep three times to confirm silent mode is on.

Weekend mode

This will switch off the displays, interior light and audible alarms. The cooling process will continue.

To switch the Weekend mode on, touch and hold the power and light keys simultaneously for five seconds. The indicator light will flash four times and confirm the mode is on. Mode will switch off automatically after 96 hours, but to switch the mode off at any time, touch and hold the power and light keys simultaneously for five seconds.

Temperature alarm

If the temperature rises or falls outside the set temperature range, an alarm will sound and the display will flash. This may be because:

- The wine cooler has not yet reached the set temperature (when first switched on).
- There has been a power failure.
- The wine cooler has been overloaded.
- The door is not closed properly.

CARE AND CLEANING

Always disconnect the appliance from the mains electrical supply before any cleaning or maintenance.

Removing the shelves

- To remove a shelf from the wine cooler, first remove all bottles from the shelf, then pull the shelf forwards until the groove on either side of the shelf is level with the plastic peg on either side of the cabinet (as shown in fig 5). Then lift the shelf up and pull forwards.
- To replace the shelves, follow the steps above in reverse order.

Cleaning

- Do not use abrasive products or detergents. After washing, rinse and dry thoroughly.
- The exterior of the appliance and the door seal should be cleaned using mild soapy water and dried thoroughly.
- The interior cabinet should be cleaned using a solution of bicarbonate of soda and lukewarm water.
- Clean the shelves separately by hand using soap and water. Do not put them in the dishwasher.
- Ensure that the cloth is only moist when cleaning the control panel and electrical parts, and that all water is thoroughly dried off before reconnecting the power.
- Once cleaning is complete, reconnect the mains electrical supply.
- If the appliance is not to be used for prolonged periods of time, unplug and clean the appliance thoroughly. The door should be left slightly ajar to prevent the formation of odours or condensation

TROUBLESHOOTING

If you have any problems with your appliance, you should check the troubleshooting guide prior to calling Call Center to prevent unnecessary service calls and potential cost.

If the appliance is not working, check

- There is power to the appliance
- The house fuses or circuit breakers are intact and the fuse in the plug has not blown.
- The plug socket is functioning correctly. To check this, plug another electrical appliance in to see if the socket is working.
- The ambient temperature is between 16°C to 32°C.

The appliance is working, but not very well, check

- The appliance is not overloaded.
- The thermostat is set to an appropriate temperature.
- The door is closing properly.
- The door gasket is sealing properly
- There is enough ventilation at the side and rear walls.
- The ambient temperature is between 16°C to 32°C.

The appliance is noisy, check

- The appliance is level and stable.
- The cooling gas will make some noise, even when the compressor is not running.
- During operation, it is normal for the fan to run, even when the compressor is not running.

The light does not work, check

- There is power to the appliance.
- The house fuses or circuit breakers are intact and the fuse in the plug has not blown.
- The light button is not set to off.

Please note:

The LED lighting cannot be replaced without a service call

The door will not close properly, check

- The appliance is level and stable.
- If the door has been removed, it may not have been correctly refitted.
- The door seal is dirty.
- The shelves are not positioned correctly.

The display shows "E1" or "E2"

- The temperature sensor has failed. Please contact Call Center

WARRANTY AND AFTER SALES SERVICE

Warranty

Warranty service as stated on the warranty card. The manufacturer shall not be held liable for any damage caused by improper use of the product.



The manufacturer recommends that all repairs and adjustments be carried out by the Factory Service Technician or the Manufacturer's Authorized Service Point. Repairs should be carried out by a qualified technician only.

Manufacturer's Declaration

The manufacturer hereby declares that this product meets the requirements of the following European directives:

- **Low Voltage Directive 2014/35/EC**
- **Electromagnetic Compatibility (EMC) Directive 2014/30/EC**
- **ErP Directive 2009/125/EC**
- **Directive RoHS 2011/65/EC**

and has thus been marked with the  symbol and been issued with a declaration of compliance made available to market regulators.

Sehr geehrter Kunde,

Von heute an werden Ihre alltäglichen Pflichten einfacher denn je. Dieses Gerät **Amica** ist eine Verbindung einer außergewöhnlich leichten Bedienung und einer perfekten Effizienz. Nachdem Sie diese Bedienungsanleitung gelesen haben, ist die Bedienung des Gerätes kein Problem mehr.

Bevor das Gerät das Herstellerwerk verlassen konnte, wurde er vor dem Verpacken gründlich auf deren Sicherheit und Funktionalitäten an Prüfständen überprüft.

Bevor das Gerät in Betrieb genommen wird, lesen Sie bitte die Bedienungsanleitung aufmerksam durch. Befolgen Sie die darin stehenden Hinweise, vermeiden Sie verschiedene Bedienfehler. Diese Bedienungsanleitung ist zu erhalten und so aufzubewahren, dass sie jederzeit bei der Hand ist.

Zur Vermeidung möglicher Unfälle befolgen Sie die in der Bedienungsanleitung stehenden Hinweise genau.

Mit freundlichen Grüßen

Amica

SICHERHEITSHINWEISE

- Das Gerät ist ausschließlich für den Einsatz im Haushalt bestimmt.
- Der Hersteller behält sich das Recht vor, Änderungen vorzunehmen, die Gerätefunktion nicht beeinträchtigen.
- Der Hersteller haftet nicht für die Schäden, die Folge der Nichteinhaltung inder vorliegenden Gebrauchsanweisung angeführten Prinzipien sind.
- Bewahren Sie diese Gebrauchsanweisung auf, um sie in Zukunft auszunutzenoder einem eventuellen Nachbesitzer übergeben zu können.
- Das Gerät darf nicht durch Personen (darunter auch Kinder) mit eingeschränkten körperlichen, sinnlichen oder psychischen Fähigkeiten sowie durch unerfahrene sowie solche Personen, die das Gerät nicht kennen, bedient werden, es sei denn, es geschieht unter Aufsicht oder gemäß der Anweisungen der für ihre Sicherheit verantwortlichen Personen.
- Erlauben Sie nicht den Kindern das Gerät ohne Aufsicht zu bedienen. Erlauben Sie den Kinder nicht mit dem Gerät zu spielen. Lassen Sie die Kinder nicht sich auf die aufschiebbaeren Bestandteile des Kühlschranks zu setzen oder auf der Kühlschranktür zu hängen.
- Das Gerät arbeitet ordnungsgemäß bei einer Raumtemperatur, die in der Tabelle mit der technischen Spezifikation angegeben ist. Das Gerät ist nur für den Gebrauch in Innenräumen geeignet, allerdings nicht in unbeheizten Kellerräumen, Hausfluren oder Sommerhäusern.
- Zum Aufstellen und Verschieben des Gerätes dürfen nie die Türgriffe, die Kondensatorröhrchen oder die Kompressoreinheit benutzt werden.
- Vor jeder Wartungsarbeit ist der Netzstecker aus der Steckdose zu entfernen. (Nicht am Kabel,

- sondern immer am Netzstecker ziehen).
- Knackende Geräusche sind eine Folge der Materialausdehnung bzw. -zusammenziehung einzelner Bauelemente, die durch Temperaturschwankungen des Kühlmittels hervorgerufen werden.
 - Aus Sicherheitsgründen ist das Gerät niemals selbständig zu reparieren, sondern nur durch Mitarbeiter einer autorisierten Fachwerkstatt. Nur so bleibt die vom Hersteller gewährte Garantie erhalten.
 - Das Kühlsystem niemals beschädigen. Das Kältemittel ist leicht entflammbar. Bei Kontakt mit den Augen sofort gründlich mit Wasser spülen und einen Arzt konsultieren.
 - Hinweis! Sollte das nicht trennbare Netzanschlusskabel beschädigt werden, sollte dieses beim Hersteller oder in einer Fachwerkstatt durch eine qualifizierte Person zur Vermeidung der Gefahr neu besorgt werden.
 - Das Gerät ist für die Dauer solcher Handlungen wie Reinigung, Wartung oder Änderung des Aufstellungsstandortes von der Stromversorgung ganz (durch Ziehen des Netzsteckers aus der Steckdose) zu trennen.
 - Das Gerät kann von Kindern ab 8 Jahren und Personen mit eingeschränkten physischen, sensorischen oder geistigen Fähigkeiten oder mit mangelnder Erfahrung und Unkenntnis verwendet werden, wenn sie in die sichere Verwendung des Geräts eingewiesen wurden und sie die mit ihm verbundenen Gefahren verstanden haben. Kinder dürfen nicht mit dem Gerät spielen. Die Reinigung und Wartung des Gerätes dürfen von Kindern nicht erfolgen, es sei denn, dass sie das 8. Lebensjahr vollendet haben und von einer zuständigen Person beaufsichtigt wurden.
 - Reinigen Sie das Gerät nicht mit Dampf.
 - Halten Sie das Gerät und das Netzkabel von Kindern unter acht Jahren fern.

- Vermeiden Sie Situationen, in denen das Netzkabel oder der Stecker mit Wasser in Berührung kommen.
- Vermeiden Sie den Kontakt des Netzkabels mit Wärmequellen.
- Vermeiden Sie, dass das Netzkabel am Tisch oder Arbeitsblatt herunterhängt.
- Benutzen Sie keine elektrischen Geräte im Inneren des Schrankes.
- Benutzen Sie kein Werkzeug, um das Abtauen zu beschleunigen.
- Reinigen Sie regelmäßig die Lüftungsöffnungen des Geräts (bei Einbau- oder Unterbaugeräten).
- Das Gerät ist nicht für die Steuerung mit elektronischen Zeitschaltuhren oder anderen Geräten für die Direkt- oder Fernabschaltung der Stromversorgung konzipiert.
- Im Fall des versehentlichen Verschüttens von Flüssigkeiten auf die elektrischen Teile, das Gerät sofort von der Stromversorgung trennen.
- Vergewissern Sie sich, dass das Netzkabel bei der Montage nicht geknickt oder beschädigt wurde.
- Bevor das Gerät entsorgt wird, muss es unbrauchbar gemacht werden. Dazu muss es von der Stromversorgung getrennt und das Netzkabel abgeschnitten werden. Damit keine Kinder oder Tiere im Gerät eingeschlossen werden können, nehmen Sie Tür, Scharniere und Schlösser ab.

INBETRIEBNAHME UND BETRIEBSBEDINGUNGEN DES GERÄTES

- Schließen Sie das Gerät erst 24 Stunden nachdem Sie es ausgepackt und an seinem Standort aufgestellt haben, an den Netzstrom an.
- Das Gerät auspacken. Klebebänder entfernen. Eventuell verbliebene Kleberreste können mit einem milden Reinigungsmittel beseitigt werden.
- Das Innere des Gerätes und seine Ausstattungselemente mit lauwarmem Wasser unter Zusatz eines Geschirrspülmittels abwaschen und trocknen lassen.
- Das Gerät auf einem ebenen, horizontalen und stabilen Grund in einem trockenen und belüftbaren Raum aufstellen. Nicht direkter

Sonnenbestrahlung aussetzen. Nicht in der Nähe von Wärmequellen wie Herde Heizkörper, Zentralheizung oder Heisswasser- Anlagen aufstellen.

- Entfernen Sie vor Inbetriebnahme des Geräts die Schutzfolie.
- Das Gerät sollte möglichst eben auf- gestellt werden – Unterschiede können dank der höhenverstellbaren Füße ausgeglichen werden (Abb. 1).
- Sorgen Sie für Freiraum neben und hinter dem Gerät (siehe Montagezeichnung).
- Vergewissern Sie sich, dass durch den Einbau des Geräts nicht die Lüftungsgitter unten am Kühlschrank blockiert werden.
- Nach der ersten Inbetriebnahme des Geräts kann ein spezifischer Geruch entstehen. Der Geruch verschwindet, wenn das Innere des Geräts gekühlt wird.
- Bei der ersten Inbetriebnahme läuft der Kompressor zunächst ununterbrochen, bis die gewünschte Temperatur im Kühlschrank erreicht ist.
- Falls Sie die Stromversorgung des Geräts trennen, warten Sie mind. 5 Minuten, bevor Sie es wieder anschließen. Dadurch vermeiden Sie eine Beschädigung des Kompressors.
- Bei bestimmten Modellen wird die richtige Temperatur erst mehrere Stunden nach der Inbetriebnahme des Kühlschranks angezeigt.
- Das Gerät ist an eine 230V / 50 Hz Wechselstromleitung über eine vorschriftsmäßig installierte, geerdete und durch eine 10A –Sicherung geschützte Steckdose anzuschließen.
- Das Gerät erfüllt die VDE – Norm. Der Hersteller lehnt jede Haftung für eventuell entstandene Schäden ab, deren Ursachen auf das Nichtbefolgen dieser Vorschrift zurückzuführen sind.
- Keine Adapter, Mehrfachstecker oder zweifache Verlängerungskabel ohne Nullleiter verwenden. Sollte ein Verlängerungskabel nötig sein, muss es der VDE/GS – Norm entsprechen.
- Verlängerungsschnur verwendet wird, muss sich die Steckdose in einem sicheren Abstand zu Amaturen mit fließendem Wasser befinden.
- Das Gerät muss problemlos vom Stromnetz zu trennen sein, indem man den Stecker herauszieht oder den zweipoligen Schalter betätigt.

KLIMAKLASSE

Die Information über die Klimaklasse des Gerätes befindet sich auf dem Typenschild. Sie zeigt, in welcher Umgebungstemperatur (d.h. Temperatur des Raumes, in dem das Gerät betrieben wird) das Gerät optimal funktioniert.

Klimaklasse	Zugelassene Umgebungstemperatur
SN	von +10°C bis +32°C
N	von +16°C bis +32°C
ST	von +16°C bis +38°C
T	von +16°C bis +43°C

PRAKTISCHE RATSCHLÄGE

- Wenn das Licht im Gerät eingeschaltet bleibt, denken Sie daran, dass die Temperatur im Gerät dadurch ansteigt.
- Die Temperatur im Kühlschrank ist von der Menge und der Art der gelagerten Weinflaschen abhängig.
- Um die Gebrauchssicherheit und eine hohe Qualität des gelagerten Weins zu gewährleisten, stellen Sie das Gerät nicht in feuchten Räumen auf.
- Lagern Sie die Weinflaschen an den dafür vorgesehenen Stellen.
- Der Kühlschrank hat eine begrenzte Kapazität, lagern Sie nicht mehr Flaschen als angegeben (siehe Produktdatenblatt).
- Öffnen Sie die Tür des Kühlschranks nicht unnötig.
- Decken Sie die Regale nicht mit Alufolie oder einem anderen Material ab. Dadurch würde die Luftzirkulation im Gerät blockiert.
- Damit die Türdichtung nicht beschädigt wird, vergewissern Sie sich, dass die Tür vollständig geöffnet ist, bevor Sie ein Regal herausziehen. Die Regale müssen bis zum Anschlag in den Kühlschrank geschoben werden, da sie sonst die Dichtung verformen und dadurch vollkommen beschädigen können.
- Ziehen Sie die beladenen Regale nicht weiter als bis zu Ausziehgrenze heraus (etwa 1/3 der Regallänge).
- Das Gerät ist für die Lagerung von Weinflaschen bestimmt, verwenden Sie es nicht für andere Zwecke.
- Die Temperaturbeständigkeit ist sehr wichtig bei der Weinlagerung.
- Wird das Gerät Sonneneinstrahlung, starken Temperaturschwankungen, hoher Feuchtigkeit oder Vibrationen ausgesetzt, kann das dazu führen, dass der Wein nicht mehr genießbar ist.
- Bei hoher Luftfeuchtigkeit kann sich auf den Außenflächen der Glastür Kondensationswasser bilden. Um das zu verhindern, sollte das Gerät in einem trockenen, ausreichend gelüfteten Raum aufgestellt werden.
- Bestimmte Modelle haben einen Außengriff, diesen müssen Sie selber anschrauben. Benutzen Sie dazu kein Elektrowerkzeug (Abb. 3).
- Die maximale Kapazität des Geräts ist im beiliegenden Produktdatenblatt angegeben. Diese Kapazität bezieht sich auf Standardflaschen vom Typ Bordeaux 0,75 l.
- Bestimmte Modelle verfügen über einen Kippschutz. Bringen Sie den Kippschutz gemäß dem Diagramm an (Abb. 6*).

* Modell abhängig

AUSPACKEN



Das Gerät wird gegen Transportschäden geschützt. Nach dem Auspacken sind die Verpackungsmaterialien so zu entsorgen, dass dadurch kein Risiko für die Umwelt entsteht.

Alle Materialien, die zur Verpackung verwendet werden, sind umweltverträglich, können hundertprozentig wiederverwertet werden und sind mit entsprechendem Symbol gekennzeichnet.

Hinweis! Die Verpackungsmaterialien (Polyethylenbeutel, Styroporstücke usw.) sind beim Auspacken außer Kinderreichweite zu halten.

ENTSORGUNG VON ALTGERÄTEN



Dieses Gerät wurde gemäß der Europäischen Richtlinie 2012/19/EG. Eine solche Kennzeichnung informiert darüber, dass dieses Gerät nach dem Ablauf des Nutzungszeitraumes nicht zusammen mit anderen Hausabfällen gelagert werden darf.

Der Benutzer ist verpflichtet, das Gerät an einem Sammelpunkt für verschlissene elektrische und elektronische Geräte abzugeben. Die die Sammlung durchführenden Einheiten, darunter lokale Sammelpunkte, Geschäfte und gemeindeeigene Einheiten, bilden ein entsprechendes System, welches die Abgabe dieses Gerätes ermöglicht.

Die richtige Vorgehensweise mit Elektro- und Elektronikschrott trägt zur Verhinderung schädlicher Folgen für die menschliche Gesundheit und die natürliche Umwelt bei, die aus der Anwesenheit von Schadstoffen sowie einer falschen Lagerung und Weiterverarbeitung solcher Materialien folgen.

STEUERUNGSKOMPONENTEN

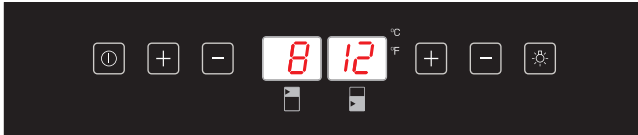
Steuerungskomponenten- ein und zwei Zonen





Abbildung 4 zeigt Bedienfeld. Ebenfalls gezeigt werden:

Eine Zone



Zwei Zonen



-  – Netztaaste
-  – Lichttaaste
-  – „+“-Taste
-  – „-“-Taste

Strom einschalten / ausschalten

Um den Weinkühlschrank einzuschalten, müssen Sie die Netztaaste 1 Sekunde lang drücken.

Um den Weinkühlschrank auszuschalten, müssen Sie die Netztaaste 5 Sekunden lang drücken.

Änderung der Temperatur

- Drücken Sie die „+“- oder die „-“-Taste, um die angemessene Temperatur im Display anzuzeigen.
- Die Temperatur ist auf 12 °C / 54 °F voreingestellt.
- Um die Temperatureinheit von Fahrenheit zu Celsius oder umgekehrt umzustellen, müssen Sie die Lichttaaste 5 Sekunden lang drücken.
- Um die eingestellte Temperatur zu überprüfen, können Sie jederzeit die „+“- oder die „-“-Taste drücken und die eingestellte Temperatur blinkt 5 Sekunden lang in der LED-Anzeige.
- Wenn der Weinkühlschrank eingeschaltet ist, gibt die Anzeige die aktuelle Innentemperatur an.

Wahl der optimalen Temperatur

Wein lagert man am besten bei 13-15°C, kann aber auch bei Servier-temperatur gelagert werden. Für Rotwein ist das 15-17°C und für Weißwein 12-13°C.

Innenbeleuchtung

Mit der Lichttaste können Sie das Licht ein- und ausschalten.

Hinweis: Die Temperatur in der unteren Zone muss entweder dieselbe sein, wie in der oberen Zone, oder höher. Eine optimale Funktion wird gewährleistet, wenn zwischen den beiden Zonen ein Temperaturunterschied von mindestens 4°C besteht.

Luftfeuchtigkeit im Kühlschrank

Bestimmte Modelle von Weinkühlschränken verfügen über ein System zur Aufrechterhaltung der optimalen Luftfeuchtigkeit im Kühlschrank. Füllen Sie den Behälter des Feuchtigkeitssystems bis zu 3/4 mit Wasser. Stellen Sie den Behälter auf die Schienen des oberen Fachs, wie in Abb. 2 gezeigt. Sorgen Sie dafür, dass der Behälter sicher steht, damit kein Wasser auslaufen kann. Prüfen Sie den Wasserstand regelmäßig und füllen Sie, falls nötig, Wasser nach.

Temperaturanzeige

Die Temperaturanzeige zeigt die aktuelle Temperatur im Schrank.

Die Anzeige blinkt:

- während der Einstellung einer anderen Temperatur
- wenn die Innentemperatur um +/- 5° von der eingestellten Temperatur abweicht.

Dies dient zur Warnung vor einer möglichen Schädigung des Kühlschrankinhalts, wenn die Temperatur übermäßig ansteigt.

Leiser Betrieb

Wenn die erforderliche Temperatur erreicht ist, funktioniert das Gerät ohne Ventilator.

Der Weinkühlschrank ist auf leisen Betrieb voreingestellt. Um diese Einstellung auf dynamische Kühlung umzuschalten, müssen Sie die „-“-Taste 5 Sekunden lang drücken (in Weinkühlschränken mit zwei Zonen die „-“-Taste auf der linken Seite). Daraufhin ertönt fünfmal ein Lautsignal, um anzuzeigen, dass die dynamische Kühlung eingeschaltet wurde.

Dynamische Kühlung

Der Ventilator schaltet sich abwechselnd ein und aus, um die Luftzirkulation auch dann zu gewährleisten, wenn die erforderliche Temperatur erreicht ist. Dadurch wird für eine beständige und gleichmäßige Luftfeuchtigkeit und Temperatur im Kühlschrank sowie für ideale Bedingungen für langfristige Lagerung gesorgt.

Durch die dynamische Kühlung erhöht sich die Geräuschemission des Geräts.

Um auf leisen Betrieb umzuschalten, müssen Sie die „+“-Taste 5 Sekunden lang drücken (in Weinkühlschränken mit zwei Zonen die „+“-Taste auf der linken Seite). Daraufhin ertönt dreimal ein Lautsignal, um anzuzeigen, dass der leise Betrieb eingeschaltet wurde.

Wochenendmodus

In diesem Betriebsmodus sind die Anzeige, die Schrankbeleuchtung und die Lautsignale ausgeschaltet. Die Kühlfunktion bleibt jedoch erhalten. Um den Wochenendmodus einzuschalten, drücken Sie gleichzeitig 5 Sekunden lang die Netz- und die Lichttaste. Daraufhin blinkt die Anzeige viermal, um anzuzeigen, dass der Wochenendmodus eingeschaltet wurde. Der Wochenendmodus schaltet sich nach 96 Stunden automatisch ab. Sie können in auch jederzeit abschalten, indem Sie die Netz- und die Lichttaste gleichzeitig 5 Sekunden lang drücken.

Temperatur-Alarm

Wenn die Temperatur ansteigt oder unter einen bestimmten Grenzwert fällt, ertönt ein Lautsignal und die Anzeige beginnt zu blinken. Mögliche Ursachen:

- Der Kühlschrank hat die eingestellte Temperatur noch nicht erreicht (nach dem ersten Einschalten).
- Es hat einen Stromausfall gegeben.
- Der Weinkühlschrank ist überladen.
- Die Tür ist nicht richtig geschlossen.

REINIGUNG UND WARTUNG

Trennen Sie das Gerät immer vom Netzstrom, bevor Sie es reinigen oder warten.

Herausnehmen der Regale

- Um die Regale aus dem Weinkühlschrank zu nehmen, müssen Sie zunächst alle Weinflaschen herausnehmen und dann das Regal nach vorne ziehen, bis die Einkerbungen auf beiden Seiten des Regals mit den Plastikeinsätzen an den Innenseiten des Schanks auf einer Höhe sind (siehe Abb. 5). Heben Sie dann das Regal an und ziehen es heraus.
- Um das Regal wieder einzulegen, gehen Sie in umgekehrter Reihenfolge vor.

Reinigung

- Benutzen Sie keine scheuernden Materialien oder Reinigungsmittel. Abgewaschene Regale müssen abgespült und sorgfältig abgetrocknet werden.
- Das Gehäuse und die Türdichtungen mit Wasser und sanften Reinigungsmitteln säubern und dann sorgfältig abtrocknen.
- Innen können Sie den Schrank mit einer Sodalösung in warmem Wasser reinigen.
- Die Regale einzeln mit Reinigungsmittel abwaschen. Die Regale nicht in der Spülmaschine reinigen.
- Das Bedienfeld und die elektrischen Teile mit einem feuchten Tuch abwischen und gut abtrocknen, bevor Sie das Gerät wieder an den Strom anschließen.
- Nach der Reinigung das Gerät wieder an den Strom anschließen.
- Sollte das Gerät für längere Zeit nicht genutzt werden, trennen Sie es vom Netzstrom und reinigen Sie es gründlich. Lassen Sie die Tür leicht geöffnet, damit kein Geruch und kein Kondenswasser entsteht.

PROBLEMLÖSUNG

Bei Problemen sollten Sie, bevor Sie den Kundendienst rufen, versuchen, die Probleme anhand der Hinweise selbst zu lösen, um unnötige Servicebesuche und Kosten zu vermeiden.

Wenn das Gerät nicht funktioniert, prüfen Sie:

- Ob das Gerät an den Netzstrom angeschlossen ist.
- Die Sicherungen und Schutzschalter im Haus sind intakt und die Sicherung im Stecker wurde nicht ausgelöst.
- Ob die Steckdose intakt ist. Schließen Sie ein anderes Elektrogerät an, um sich zu vergewissern, dass die Steckdose intakt ist.
- Die Umgebungstemperatur muss zwischen 16°C und 32°C liegen.

Wenn das Gerät zwar funktioniert, aber nicht gut, prüfen Sie:

- Ob das Gerät nicht überladen ist.
- Ob das Thermostat auf die richtige Temperatur eingestellt ist.
- Ob die Tür richtig geschlossen ist.
- Ob die Türdichtung korrekt anliegt.
- Ob die Lüftung neben und hinter dem Gerät ausreichend ist.
- Die Umgebungstemperatur muss zwischen 16°C und 32°C liegen.

Wenn das Gerät Lärm macht, prüfen Sie:

- Ob das Gerät waagrecht und stabil steht.
- Das Kühlgas verursacht Lärm, auch wenn der Kompressor nicht läuft.
- Wenn das Gerät eingeschaltet ist, kann der Ventilator angehen, auch wenn der Kompressor nicht in Betrieb ist.

Wenn die Beleuchtung nicht funktioniert, prüfen Sie:

- Ob das Gerät an den Netzstrom angeschlossen ist.
- Die Sicherungen und Schutzschalter im Haus sind intakt und die Sicherung im Stecker wurde nicht ausgelöst.
- Die Lichttaste steht nicht in der Aus-Position.

Achtung:

Die LED-Lampen müssen von einem Servicetechniker ausgewechselt werden.

Wenn die Tür nicht richtig schließt, prüfen Sie:

- Ob das Gerät waagrecht und stabil steht.
- Wenn die Tür abgenommen wurde, ist sie möglicherweise nicht wieder richtig montiert worden.
- Die Türdichtung ist verschmutzt.
- Die Regale sind nicht richtig eingelegt.

Wenn in der Anzeige „E1“ oder „E2“ erscheint:

- Beschädigung des Temperatursensors. Nehmen Sie mit dem Kundendienst Kontakt auf.

GARANTIE, NACHVERKAUF-SERVICE

Garantie

Garantieleistungen laut Garantieschein. Der Hersteller übernimmt keine Haftung für Schäden, die durch einen unsachgemäßen Betrieb des Produktes entstehen.




Der Hersteller empfiehlt, dass alle Reparaturen und alle Einstellmaßnahmen durch den Werkskundendienst oder durch Autorisierten Servicedienst des Herstellers. Die Reparaturen sollen ausschließlich durch Personen mit entsprechenden Qualifikationen durchgeführt werden.

CE-Konformitätserklärung

Der Hersteller dieses Produktes erklärt hiermit in alleiniger Verantwortung, dass dieses Produkt den einschlägigen, grundlegenden Anforderungen der nachfolgenden EU-Richtlinien entspricht:

- Niederspannungsrichtlinie 2014/35/EG
- Elektromagnetische Verträglichkeit 2014/30/EG
- ErP – Richtlinie 2009/125/EG
- Richtlinie RoHS 2011/65/EG

Das Gerät ist mit dem  Zeichen gekennzeichnet und verfügt über eine Konformitätserklärung zur Einsichtnahme durch die zuständigen Marktüberwachungsbehörden.

Vážený kliente,

počínaje dnešním dnem jsou každodenní povinnosti jednodušší než kdykoli jindy. Zařízení **Amica** je spojením výjimečně snadné obsluhy a vynikající efektivity. Po přečtení návodu nebudete mít problém s obsluhou.

Zařízení, které opustilo továrnu, bylo důkladně zkontrolováno před zabalením z hlediska bezpečnosti a funkčnosti na kontrolních stanovištích.

Před uvedením zařízení do provozu si pozorně přečtěte návod k obsluze. Dodržováním pokynů uvedených v návodu předejdete nesprávnému používání. Návod si ponechte a uschovejte tak, abyste jej měli vždy při ruce.

Dodržujte přesně návod k obsluze, abyste zabránili nešťastným událostem.

S úctou

Amica

POKYNY TÝKAJÍCÍ SE BEZPEČNOSTI POUŽÍVÁNÍ

- POKYNY TÝKAJÍCÍ SE BEZPEČNOSTI POUŽÍVÁNÍ
- Příklad je určen výhradně pro domácí použití.
- Výrobce si vyhrazuje možnost provádění změn neovlivňujících fungování spotřebiče.
- Výrobce nenese odpovědnost za škody vzniklé nedodržováním zásad obsažených v tomto návodu.
- Prosíme o uschování tohoto návodu za účelem jeho využití v budoucnu nebo předání eventuelnímu dalšímu uživateli.
- Tento spotřebič není určen k používání osobami (včetně dětí) s omezenou schopností fyzickou, citovou nebo psychickou a také osobami, které jsou nezkušené a neznalé spotřebiče, ledaže to probíhá pod dohledem nebo podle návodu k obsluze spotřebiče, poskytnutého osobami odpovídajícími za jejich bezpečnost.
- Je třeba věnovat zvláštní pozornost tomu, aby spotřebič nepoužívaly děti ponechané bez dohledu. Je třeba jim zakázat hrát si se spotřebičem. Není jim dovoleno sedat si na výsuvné součásti a zavěšovat se na dveře.
- Chladnička funguje správně v okolní teplotě, která je uvedena v tabulce s technickou specifikací. Nepoužívejte ji ve sklepě, síni, a v neohřívané chatě na podzim i v zimě.
- Během umístování, přesouvání, zvedání se nemá chytat za madla dveří, tahat za odpařovací kondenzátor na zadní straně chladničky a také dotýkat kompresorové jednotky.
- Před každou údržbovou činností je třeba vytáhnout zástrčku ze síťové zásuvky. Nemá se tahat za kabel, ale chytat za kostru zástrčky.
- Slyšitelné zvuky jako bubláni nebo praskání jsou

způsobeny roztahováním a smršťováním součástí v důsledku teplotních změn.

- S ohledem na bezpečnost se spotřebič nemá opravovat svépomocí. Opravy prováděné osobami, které nemají požadované kvalifikace, mohou vytvořit vážné nebezpečí pro uživatele spotřebiče
- Je třeba dávat pozor, aby nedošlo k poškození chladicího okruhu, např. napíchnutí kanálků kondenzátu na výparníku, zalomení trubek. Vstříkované chladicí médium je hořlavé. V případě vniknutí do očí je třeba vypláchnout je vodou a ihned přivolat lékaře.
- Pozor! Jestliže neodlučitelný napájecí vodič bude poškozený, musí být vyměněný u výrobce anebo ve specializovaném opravárenském podniku, anebo kvalifikovanou osobou aby nedošlo k ohrožení zdraví anebo požáru.
- Spotřebič úplně odpojte od napájení (vytáhnutím zástrčky ze síťové zásuvky) v případě provádění takových činností, jakými jsou čištění, údržba anebo změna místa ustavení
- To zařízení může být používané dětmi ve věku 8 let a staršími, osoby s omezenými fyzickými anebo mentálními schopnostmi, jak rovněž osoby bez zkušenosti a bez znalosti zařízení mohou konvici používat, pokud jsou dozorované anebo byly instruované ohledně obsluhy zařízení bezpečným způsobem a znají ohrožení spojené s používáním zařízení. Děti si nemohou se zařízením hrát. Čištění a konzervace zařízení nemůže být vykonávaná dětmi, ledaže skončily 8 let a mají dohled zodpovědné osoby.
- Spotřebič nečistěte párou
- Přechovávejte spotřebič a jeho připojovací kabel v bezpečné vzdálenosti od dětí mladších 8 let.
- Neponořujte připojovací vodič ani zástrčku do vody.

- Udržujte vodič v bezpečné vzdálenosti od ohřívacích povrchů.
- Nepřipusťte, aby připojovací kabel visel na hraně stolu anebo desky.
- Uvnitř komory nepoužívejte elektrická zařízení.
- K urychlení procesu odmrazení nepoužívejte nářadí.
- Čistěte pravidelně větrací otvory zařízení (v případě zařízení pro vestavění nebo zabudování).
- Toto zařízení není navrženo pro provoz s elektronickými časovými programátory a jinými zařízeními pro přímé nebo dálkové vypnutí napájení.
- V případě náhodného rozlití tekutiny na elektrické součásti ihned odpojte zařízení od napájení.
- Ujistěte se, že při montáži nebyl napájecí kabel přimáčknut nebo poškozen.
- Zařízení před likvidací učiňte nepoužitelným. Týká se to odpojení od napájení a odříznutí napájecího kabelu. Odmontujte dvířka, závěsy a zámky, aby se v zařízení nemohly zavřít děti nebo zvířata.

INSTALACE A PROVOZNÍ PODMÍNKY SPOTŘEBIČE

- Zařízení připojte k napájení po 24 hodinách po vybalení a postavení na místo používání.
- Výrobek je třeba rozbalit, odstranit lepicí pásky zajišťující dveře a vybavení. Eventuální zbytky lepidla je možno odstranit jemným čisticím prostředkem.
- Vnitřní prostor spotřebiče a také součásti vybavení je třeba vymýt vlažnou vodou s přídavkem.
- Chladničku je třeba umístit na rovný, vodorovný a stabilní podklad, do suché, větrané místnosti, kde nesvítí slunce, v povzdálí od tepelných zdrojů takových jako kuchyň, radiátor ústředního topení, trubka ústředního topení, rozvod teplé vody atp.
- Na vnějším povrchu výrobku se může nacházet ochranná folie, kterou je zapotřebí odstranit.
- Vodorovné ustavení spotřebiče je třeba upravit zašroubováním 2 nastavitelných předních nožek (obr. 1)
- Nechte volný prostor na obou stranách zařízení a vzadu (viz montážní nářez)
- Ujistěte se, že zabudování chladničky do nábytku nezakryje větrací mřížku umístěnou ve spodní části chladničky.
- Po uvedení zařízení do provozu se může objevit specifický zápach. Zápach zmizí, když se vnitřek zařízení lehce ochladí.

- Po uvedení zařízení do provozu bude kompresor zařízení nepřetržitě pracovat do okamžiku dosažení zadané teploty uvnitř chladničky.
- Chladničku po odpojení od napájení opět připojte asi po 5 minutách. Sníží to riziko poškození kompresoru.
- U vybraných modelů se na displeji zobrazí správná teplota teprve po uplynutí několika hodin od uvedení chladničky do provozu.
- Spotřebič je třeba připojit k síti střídavého proudu 220-240V/ 50Hz- správně zapojenou elektrickou zásuvkou s uzemněním a jistěnou 10 A pojistkou.
- Uzemnění spotřebiče je vyžadováno právními předpisy. Výrobce se zříká jakékoliv odpovědnosti z titulu eventuálních škod, které mohou utrpět osoby nebo předměty v důsledku nesplnění povinností stanovených tímto předpisem.
- Nesmí se používat spojovací články, několikanásobné zásuvky (rozváděče), dvoužilové prodlužovací kabely. Pokud je nutné použití prodlužovacího kabelu, může to být pouze prodlužovací kabel s ochranným kolíkem, jednozásuvkový, který má bezpečnostní atest VDE/GS.
- Pokud bude použit prodlužovací kabel (s ochranným kolíkem, který má bezpečnostní značku), pak jeho zásuvka musí být umístěna v bezpečné vzdálenosti od drezů a nemůže být vystavena na zalití vodou a různými odpady.
- Je třeba zajistit možnost odpojení spotřebiče od elektrické sítě vytažením zástrčky nebo vypnutím dvojpólového vypínače.

KLIMATICKÁ TŘÍDA

Informace o klimatické třídě spotřebiče se nachází na výkonovém štítku. Štítek stanoví, při jaké okolní teplotě (tj. místnosti, ve které pracuje) spotřebič funguje optimálně (správně).

Klimatická třída	Přípustná okolní teplota
SN	z +10°C na +32°C
N	z +16°C na +32°C
ST	z +16°C na +38°C
T	z +16°C na +43°C

PRAKTICKÉ RADY

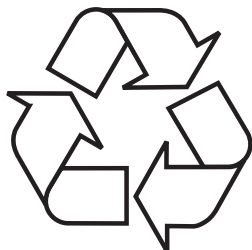
- Pokud v chladničce zapnete světlo, bude vnitřní teplota vyšší.
- Vnitřní teplota závisí na počtu a druhu uchovávaných lahví s vínem.
- Zařízení nastavějte do vlhkých prostor, aby byla zajištěna vaše bezpečnost a vysoká kvalita uchovávaného vína.
- Lahve s vínem uchovávejte na označených místech.
- Chladnička má omezenou kapacitu, nekládejte více lahví než stanovený počet (viz technický list).
- Neotevírejte dveře chladničky častěji, než je to nutné.
- Police nezakrývejte hliníkovou fólií nebo jiným materiálem. Brání to cirkulaci vzduchu uvnitř zařízení.
- Abyste nepoškodili dverní těsnění, ujistěte se před vytažením police,

že dvířka jsou úplně otevřená. Police zasuněte na doraz, jinak může police deformovat těsnění a zcela jej poškodit.

- Nevytahujte naplněné police mimo dosah výsuvu (asi 1/3 délky police).
- Toto zařízení je navrženo pro uchovávání lahví s vínem, nepoužívejte jej pro jiné účely.
- Stabilní teplota má velmi velký význam pro uchovávání vína.
- Přímé sluneční záření, velké tepelné výkyvy, vysoká vlhkost a také vibrace mohou způsobit, že víno nebude vhodné k pití.
- Při vysoké vlhkosti se na vnějším povrchu skleněných dvířek může srážet vodní pára. Abyste tomu zabránili, umístěte zařízení v suché, dobře větrané místnosti.
- Vybrané modely mají vnější úchyt, přišroubujte jej sami. Nepoužívejte k tomu elektrické nářadí (obr. 3).
- Maximální kapacita chladničky je uvedena v technickém listu zařízení přiloženém k chladničce. Tato kapacita vychází ze standardních Bordeaux lahví 0,75 l.
- Vybrané modely chladničky mají pojistku proti převrácení. Namontujte ji podle přiloženého schématu (obr. 6*).

*Vyskytuje se v závislosti od modelu

VYBALENÍ



Zařízení bylo po dobu přepravy zabezpečeno proti poškození. Po vybalení zařízení odstraňte části obalu způsobem, který neohrožuje životní prostředí.

Všechny materiály použité na obal jsou stoprocentně neškodné pro životní prostředí a jsou vhodné pro zpětné získání a byly označeny příslušným symbolem.

Upozornění! Obalové materiály (polyetylenové sáčky, pěnový polystyren apod.) nenechávejte při vybalování v dosahu dětí.

LIKVIDACE OPOTŘEBOVANÝCH ZAŘÍZENÍ



Toto zařízení je označeno v souladu s evropskou směrnicí 2012/19/ES. Takové označení znamená, že toto zařízení se po ukončení životnosti nesmí vyhazovat společně s jiným domácím odpadem.

Uživatel je povinen odevzdat jej do sběrný použitých elektrických a elektronických zařízení. Provádějící sběr, včetně místních sběrů, obchodů a obecních úřadů, tvoří systém umožňující odevzdávání těchto zařízení.

Příslušné nakládání s použitými elektrickými a elektronickými zařízeními zabráňuje negativním následkům pro lidské zdraví a životní prostředí, vznikajícím z přítomnosti nebezpečných složek a nesprávného skladování a zužitkování takových zařízení.

OVLÁDACÍ PRVKY

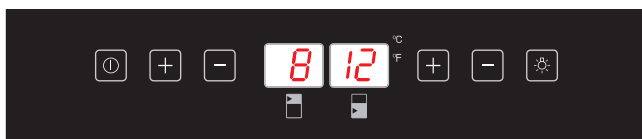
Ovládací prvky – jedna a dvě zóny





Ovládací panel je znázorněn na obr. 4. Je znázorněn také níže:

Jedna zóna



Dvě zóny



-  – Tlačítko napájení:
-  – Tlačítko osvětlení
-  – Tlačítko “+”
-  – Tlačítko “-”

Zapnutí/vypnutí napájení

Chcete-li chladničku na víno zapnout, stiskněte a přidržte tlačítko napájení na 1 sekundu.

Chcete-li chladničku na víno vypnout, stiskněte a přidržte tlačítko napájení na 5 sekund.

Změna teploty

- Stlačujte tlačítko “+” nebo “-”, až se na displeji zobrazí příslušná teplota.
- Implicitní nastavení teploty je 12 °C / 54 °F.
- Abyste změnili jednotku teploty ze stupňů Fahrenheita na stupně Celсія nebo opačně, stiskněte a přidržte tlačítko osvětlení na 5 sekund.
- Abyste zkontrolovali nastavenou teplotu, stiskněte kdykoli tlačítko “+” nebo “-” a nastavená teplota bude blikat na LED displeji po dobu 5 sekund.
- Když je chladnička na víno zapnutá, na displeji se zobrazuje aktuální vnitřní teplota.

Výběr optimální teploty

Nejlepší teplota uchovávání vína je 13–15 °C, ale víno můžete uchovávat také při teplotě podávání. Pro červené víno je to 15–17 °C a pro bílé víno 12–13 °C.

Vnitřní osvětlení

Stisknutím tlačítka můžete zapnout a vypnout světlo.

Upozornění: Nastavení teploty ve spodní zóně musí být vždy stejné nebo vyšší než v horní zóně. Optimálního provozu je dosaženo, když se teploty v obou zónách liší alespoň o 4 °C.

Vnitřní vlhkost

Některé modely chladniček na víno jsou vybaveny systémem udržování optimální vlhkosti v chladničce. Nádobku systému vlhkosti naplňte do 3/4 objemu vodou. Nádobku umístěte na kolejničky horní police, jak je znázorněno na obr. 2. Nádobku postavte dobře, aby se voda nerozlila. Pravidelně kontrolujte hladinu vody a bude-li třeba, doplňte ji.

Displej teploty

Displej teploty zobrazuje aktuální vnitřní teplotu.

Displej bliká:

- Při nastavování jiné teploty
- Pokud se vnitřní teplota liší o +/- 5 °C od nastavené teploty.

Je to výstraha před poškozením obsahu chladničky, pokud se teplota příliš zvýší.

Tichý režim

Po dosažení požadované teploty zařízení funguje bez ventilátoru.

Chladnička na víno má implicitně nastavený tichý režim. Abyste změnili nastavení na režim dynamického chlazení, stiskněte a přidržte tlačítko “-” asi na 5 sekund (tlačítko “-” na levé straně ve dvouzónových chladničkách). Chladnička na víno vydá 5 pípnutí jako potvrzení zapnutí dynamického chlazení.

Režim dynamického chlazení

Ventilátor pracuje ve střídavém cyklu a vypíná se, aby udržel cirkulaci vzduchu dokonce i tehdy, když bude dosaženo požadované teploty. Zajišťuje to stálou a rovnoměrnou vlhkost a teplotu v chladničce a vytváří ideální podmínky pro dlouhodobé uchovávání.

Režim dynamického chlazení zvyšuje hluk během provozu zařízení.

Abyste změnili nastavení na tichý režim, stiskněte a přidržte tlačítko “+” asi na 5 sekund (tlačítko “+” na levé straně ve dvouzónových chladničkách). Chladnička na víno vydá tři pípnutí jako potvrzení zapnutí úspory.

Víkendový režim

V tomto režimu se vypne displej, vnitřní osvětlení a zvukové signály. Chlazení je stále udržováno. Chcete-li zapnout Víkendový režim, současně stiskněte a přidržíte tlačítka napájení a osvětlení na 5 sekund. Kontrolka blikne čtyřikrát a bude indikovat zapnutí režimu. Režim se automaticky vypne po 96 hodinách; abyste mohli režim vypnout kdykoli, stiskněte a přidržíte tlačítka napájení a osvětlení na 5 sekund.

Teplotní alarm

Pokud teplota vzroste nebo klesne pod stanovený rozsah, zazní zvukový signál a displej začne blikat. Příčinou může být:

- Chladnička nedosáhla ještě nastavené teploty (po prvním zapnutí).
- Nastal výpadek napájení.
- Chladnička na víno je přeplněná.
- Dvířka nejsou dobře zavřená.

ČIŠTĚNÍ A ÚDRŽBA

Před čištěním a údržbou vždy odpojte zařízení od napájení.

Vytahování polic

- Abyste mohli vytáhnout police z chladničky na víno, nejprve vyjměte všechny láhve a pak potáhněte polici k sobě, až se výřezy na obou stranách police srovnají s plastovými výčnělky na obou stranách komory (jak je znázorněno na obr. 5). Pak polici nadzvedněte a vytáhněte k sobě.
- Abyste polici vložili zpět, postupujte v opačném pořadí.

Čištění

- Nepoužívejte brusné čisticí prostředky a detergenty. Po vyčištění opláchněte a důkladně osušte.
- Plášť zařízení a dveřní těsnění čistěte vodou a jemným čisticím přípravkem, po vyčištění důkladně osušte.
- Vnitřek zařízení čistěte roztokem sody a teplé vody.
- Police čistěte zvlášť vodou a mycím prostředkem. Police nemyjte v myčce.
- Ovládací panel a elektrické části otřete vlhkým hadříkem a před připojením zařízení k napájení důkladně osušte.
- Po vyčištění připojte zařízení k napájení.
- Pokud zařízení nebudete používat delší dobu, odpojte jej od napájení a důkladně vyčistěte. Dvířka nechte pootvřená, abyste zabránili vzniku zápachu nebo srážení vody.

ŘEŠENÍ PROBLÉMŮ

V případě jakýchkoli problémů přečtěte si před zavoláním servisu pokyny pro svépomocné odstranění poruch, abyste zabránili nepotřebným servisním výjezdům a naučtování nákladů.

Pokud zařízení nefunguje, zkontrolujte

- Zda je zařízení připojeno k napájení
- Pojistky nebo chrániče v domácnosti jsou funkční a pojistka v zástrčce není aktivována.
- Zda zásuvka funguje. Připojte jiné elektrické zařízení, abyste zjistili, zda zásuvka funguje.
- Okolní teplota musí kolísat v rozsahu 16 °C až 32 °C.

Pokud zařízení nefunguje dobře, zkontrolujte

- Zda zařízení není přetíženo.
- Zda je termostat nastaven na příslušnou teplotu.
- Zda jsou dvířka dobře zavřená.
- Zda dveřní těsnění dobře přiléhá.
- Zda je dostatečné větrání z bočních stran a zezadu.
- Okolní teplota musí kolísat v rozsahu 16 °C až 32 °C.

Pokud je zařízení hlučné, zkontrolujte

- Zda je zařízení ustaveno do roviny a stojí stabilně.
- Kapalné chladivo způsobuje hluk, dokonce i když kompresor nepracuje.
- Během provozu zařízení může ventilátor pracovat, dokonce i když nefunguje kompresor.

Pokud nefunguje osvětlení, zkontrolujte

- Zda je zařízení připojeno k napájení.
- Pojistky nebo chrániče v domácnosti jsou funkční a pojistka v zástrčce není aktivována.
- Tlačítko osvětlení není v poloze vypnuto.

Upozornění:

LED osvětlení neměňte bez zavolání servisu

Pokud dvířka nejsou dobře zavřená, zkontrolujte

- Zda je zařízení ustaveno do roviny a stojí stabilně.
- Pokud byla dvířka sejmutá, mohou být nesprávně namontována.
- Dveřní těsnění je znečištěno.
- Police nejsou správně vloženy.

Pokud na displeji svítí "E1" nebo "E2"

- Poškození snímače teploty. Kontaktujte servis

ZÁRUKA, POPRODEJNÍ SERVIS

Záruka

Záruční plnění podle záručního listu. Výrobce neodpovídá za žádné škody způsobené nesprávným zacházením s výrobkem.



Výrobce zařízení doporučuje, aby všechny opravy a seřizovací činnosti prováděl tovární servis nebo autorizovaný servis výrobce. Opravy musí provádět pouze osoba s příslušnou kvalifikací.

Prohlášení výrobce

Producent tímto prohlašuje, že tento výrobek splňuje základní požadavky níže uvedených evropských směrnic:

- směrnice pro nízkonapěťová zařízení 2014/35/EC
- směrnice o elektromagnetické kompatibilitě 2014/30/EC
- směrnice ErP - 2009/125/EC
- směrnice RoHS 2011/65/EC

a proto byl spotřebič označen **CE** a také bylo pro něho vystaveno prohlášení o shodě poskytované orgánům pro dohled nad trhem.

Vážený zákazník

Od dnešného dňa každodenné povinnosti budú jednoduchšie ako kedykoľvek predtým. Zariadenie značky **Amica** spája výnimočne jednoduché používanie a dokonalú efektívnosť. Keď sa oboznámite s užívateľskou príručkou, s používaním zariadenia nebudete mať žiadne problémy.

Zariadenie, ktoré opúšťa továreň, bolo pred konečným zabalením na kontrolných staniciach dôkladne skontrolované, čo sa týka bezpečnosti a funkčnosti zariadenia.

Pred spustením zariadenia sa podrobne a dôkladne oboznámte s užívateľskou príručkou. Dodržiavaním pokynov a odporúčaní, ktoré sú v príručke uvedené, predídete nesprávnemu používaniu zariadenia. Príručku uchovajte a uložte ju na takom mieste, aby bola v prípade potreby ľahko dostupná.

Dôkladne dodržiavajte pokyny a odporúčania uvedené v príručke, vyhnete sa tak nešťastným nehodám či úrazom.

S úctou

Amica

DÔLEŽITÉ BEZPEČNOSTNÉ POKYNY

- Prístroj je určený výhradne pre domáce použitie.
- Výrobca si vyhradzuje možnosť prevádzania zmien neovplyvňujúcich fungovanie spotrebiča.
- Výrobca nenesie zodpovednosť za škody vzniknuté z nedodržiavania zásad umiestených v tomto návode.
- Prosíme o zachovanie tohto návodu s cieľom jeho využitia v budúcnosti alebo odovzdania eventuálnemu ďalšiemu užívateľovi.
- Toto zariadenie nie je prispôbené k používaniu osobami (v tom deťmi) s obmedzenou fyzickou, zmyslovou alebo psychickou schopnosťou alebo osobami s nedostatočnými skúsenosťami a znalosťami zariadenia, iba ak je uskutočňované pod dohľadom alebo v súlade s návodom používania zariadenia, odovzdanom osobami odpovedajúcimi za ich bezpečnosť.
- Venujte mimoriadnu pozornosť tomu, aby spotrebič nepoužívali deti ponechané bez dozoru. Ne nechávajú sa im hrať so spotrebičom. Nie je im dovolené sadáť si výsuvné časti a zavesovať sa na dvere.
- Spotrebič pracuje správne v teplote okolitého prostredia, ktorá je uvedená v tabuľke s technickou špecifikáciou. Nepoužívajte ho v pivnici, sieni, v neohrievanej chate v jeseni a v zime.
- Počas umiestňovania, presúvania, dvíhania sa nemá chytať za madla dverí, ťahať za odparovací kondenzátor na zadnej strane chladničky a aj dotýkať kompresorovej jednotky.
- Pred každou konzervačnou činnosťou vyjmite zástrčku zo sieťovej zásuvky. Nepopotáhujte za vodič, ale chytajte za korpus zástrčky.

- Počuteľné zvuky ako bublanie alebo praskanie sú spôsobené roztahovaním a zmrašťovaním súčastí v dôsledku teplotných zmien.
- Z bezpečnostných dôvodov neopravujte spotrebič svojpomocným spôsobom. Opravy vykonávané osobami, ktoré nemajú požadovanú kvalifikáciu môžu vytvárať vážne nebezpečenstvo pre užívateľa spotrebiča.
- Dávajte pozor, aby nebol poškodený chladiaci okruh, napr. napichnutím kanálikov chladiaceho prípravku vo výparníku, zlomením rúr. Vystrekované chladiace médium je horľavé. V prípade vniknutia do očí vyplachujte ich čistou vodou a vyhľadajte lekársku pomoc.
- Pozor! Ak neodlučiteľný napájací vodič bude poškodený, musí byť vymenený u výrobcu alebo v špecializovanom opravárenskom podniku, alebo kvalifikovanou osobou aby nedošlo k ohrozeniu zdravia alebo požiaru.
- Spotrebič úplne odpojte od napájania (vytiahnutím zástrčky zo sieťovej zásuvky) v čase vykonávania takých činností, akými sú čistenie, konzervácia alebo zmena miesta vstavenia.
- Toto zariadenie môže byť používané deťmi vo veku 8 rokov a starších, osoby s obmedzenými fyzickými alebo mentálnymi schopnosťami, ako aj osobami bez skúseností a bez znalostí zariadenia môžu kanvicu používať, pokiaľ sú dohliadané alebo boli inštruované vzhľadom obsluhy zariadenia bezpečným spôsobom a znajú ohrozenie spojené s používaním zariadenia. Deti si nemôžu so zariadením hrať Čistenie a konzervácia zariadenia nemôže byť vykonávaná deťmi ledaže ukončili 8 rokov a sú dohliadané zodpovednou osobou.
- Spotrebič nečistite parou
- Prechovávajte spotrebič a jeho pripojovací kábel v bezpečnej vzdialenosti od detí mladších ako 8 rokov.

- Neponárajte pripojovací vodič ani zástrčku do vody.
- Udržujte vodič v bezpečné vzdialenosti od zohrievaných povrchov.
- Nepripustíte, aby pripojovací kábel visel na hrane stolu alebo dosky.
- Vo vnútri komory nepoužívajte elektrické zariadenia.
- Na urýchlenie rozmrazovania nepoužívajte žiadne nástroje.
- Pravidelne čistite vetracie otvory (v prípade zariadení na zabudovanie do skrine alebo pod kuchynskú dosku)
- Toto zariadenie nie je určené na používanie s elektronickými časovačmi, ani s inými zariadeniami určenými na priame alebo vzdialené prerušovanie el. napätia.
- V prípade, ak sa náhodou na elektrické komponenty vyleje nejaká kvapalina, zariadenie okamžite odpojte od el. napätia.
- Uistite sa, či sa počas vykonávania montáže neohol alebo nepoškodil napájací kábel.
- Predtým, než zariadenie odovzdáte na likvidáciu, musíte ho znefunkčniť. Zariadenie odpojte od el. napätia a následne odstrihnite napájací kábel. Aby nedošlo k uväzneniu detí alebo zvierat v zariadení, odmontujte dvere, závesy a zámky.

INŠTALÁCIA A PREVÁDZKOVÉ PODMIENKY SPOTREBIČA

- Zariadenie pripojte k el. napätiu až keď uplynie minimálne 24 hodín od momentu rozbalenia a postavenia na cieľovom mieste.
- Spotrebič je treba rozbaľiť, odstrániť lepiacu pásku zaistujúcu dvere a vybavení. Eventuálne zvyšky lepidla je možné odstrániť jemným čistiacim prostriedkom.
- Vnútrajsok chladničky ako aj súčasti výbavy je treba umyť vlažnou vodou s prídavkom prostriedku na umývanie riadu a potom vytrieť a vysušiť.
- Chladničku je treba umiestniť na rovný, vodorovný a stabilný podklad, do suchej, vetranej miestnosti, kde nesvieti slnko, ďalej od tepelných zdrojov takých ako kuchyňa, radiátor ústredného kúrenia, trubka ústredného kúrenia, rozvod teplej vody atď.
- Na vonkajších poyrchoch výrobku sa môže nachádzať ochranná fólia, treba ju odstrániť.
- Vodorovné osadenie spotrebiča je treba upraviť zaskrutkovaním 2 nastaviteľných predných nožičiek (obr. 1)
- Okolo zariadenia, tzn. zľava a zozadu, zachovajte náležitý odstup (pozri montážny výkres).
- Uistite sa, že spôsob montáže zariadenia v kuchynskom nábytku nebude blokovať vetracie priechody, ktoré sa nachádzajú v dolnej časti vlnotéky.
- Pri prvom spustení zariadenia sa môže objaviť charakteristický zápach. Zanikne, keď sa vnútro zariadenia náležite vychladí.
- Pri prvom spustení zariadenia bude kompresor zariadenia pracovať neprerušene, až kým náležite neklesne teplota vo vnútri vlnotéky.
- V prípade odpojenia od el. napätia, doporučame, aby bolo zariadenie opätovne pripojené až po min. 5 minútach. Zníži sa tak riziko poškodenia kompresora.
- V niektorých modeloch sa nastavená teplota zobrazí na displeji až po niekoľkých hodinách od spustenia vlnotéky.
- Spotrebič je treba pripojiť k sieti striedavého prúdu 220-240V/ 50Hz správnou zapojenou elektrickou zásuvkou s uzemnením a istenou 10 A poistkou.
- Uzemnenie spotrebiča je vyžadované právnymi predpismi. Výrobca sa zrieka akejkoľvek zodpovednosti z titulu eventuálnych škôd, ktoré môžu utrpieť osoby alebo predmety v dôsledku nesplnenia povinností stanovených v tomto predpise.
- Nemajú sa používať spojovacie články, niekoľkonásobné zásuvky (rozvádzače), dvojitilové predĺžovacie káble. Pokým je nutné použitie predĺžovacieho kábla, môže to byť iba predĺžovací kábel s ochranným kolíkom, jednozásuvkový, ktorý má bezpečnostný atest VDE/GS.
- Pokým bude použitý predĺžovací kábel (s ochranným kolíkom, ktorý má bezpečnostnú značku), napokon jeho zásuvka musí byť umiestnená v bezpečnej vzdialenosti od drezov a nemôže byť vystavená na zaliatie vodou a rôznymi odpadmi.
- Je potreba zabezpečiť možnosť odpojenia spotrebiča od elektrickej siete vytiahnutím zástrčky alebo vypnutím dvojpóloveho vypínača.

KLIMATICKÁ TRIEDA

Informácia o klimatickej triede spotrebiča sa nachádza na výkonovom štítku. Štítok stanovi, pri akej teplote okolja (tzn. miestnosti, v ktorej pracuje) spotrebič funguje optimálne (správne).

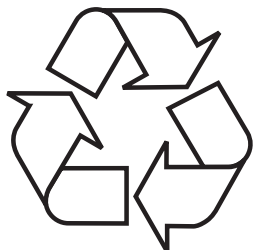
Klimatická trieda	Prípustná teplota okolia
SN	z +10°C na +32°C
N	z +16°C na +32°C
ST	z +16°C na +38°C
T	z +16°C na +43°C

PRAKTICKÉ RADY

- Ak bude svetlo vo vnútri zariadenia neustále zapnuté, teplota vo vnútri zariadenia bude vyššia.
- Teplota vo vnútri závisí od množstva a druhu skladovaných fliaš s vínom.
- Aby bola zaručená bezpečnosť užívateľa, ako aj vysoká kvalita skladovaného vína, zariadenie nemontujte a nepoužívajte vo vlhkých miestnostiach.
- Fľaše s vínom ukladajte na vyznačených miestach.
- Vínotéka má obmedzenú kapacitu, nevykladajte do nej viac fliaš, než je maximálna kapacita (pozri informačný list výrobu).
- Ak to nie je nevyhnutné, dvere vínotéky neotvárajte.
- Police nezakrývajte alobalom, ani žiadnym iným materiálom. Takým spôsobom sa zablokuje cirkulácie vzduchu vo vnútri zariadenia.
- Aby nedošlo k poškodeniu tesnenia dverí, pred vyťahnutím police skontrolujte, či sú dvere úplne otvorené. Police vysúvajte až dokonca, v opačnom prípade môže policea zdeformovať tesnenie, následkom čoho sa môže úplne poškodiť.
- Police, v ktorých sú fľaše, nevysúvajte viac než po doraz vysunutia (cca 1/3 dĺžky police).
- Toto zariadenie je určené na uchovávanie fliaš s vínom, nepoužívajte ho na iné účely.
- Stabilná teplota je pri skladovaní vína veľmi dôležitá.
- Vystavenie vínotéky na pôsobenie priameho slnečného žiarenia, veľké výkyvy teploty, vysoká vlhkosť ako aj vibrácie, môžu spôsobiť, že víno nebude vhodné na konzumáciu.
- V čase vyššej vlhkosti vzduchu sa na vonkajšom povrchu sklenených dverí môže kondenzovať vodná para. Aby ste tomu predišli, odporúčame, aby bolo zariadenie namontované v suchej, dobre vetranej miestnosti.
- Niektoré modely majú vonkajšiu rúčku, ktorú montuje používateľ. Na tento účel nepoužívajte elektronáradie (obr. 3).
- Maximálna kapacita zariadenia je uvedená v informačnom liste, ktorý je pripojený k vínotéke. Táto kapacita sa týka štandardných fliaš typu Bordeaux 0,75 l.
- Niektoré modely majú blokádu proti prevráteniu sa zariadenia. Namontujte podľa pripojenej schémy (obr. 6*).

*Vyskytuje sa v závislosti od modelu

ROZBALENIE



Zariadenie je chránené pred poškodením počas prepravy. Prosíme Vás, aby ste po vybalení zariadenia zlikvidovali obalové materiály spôsobom neohrozujúcim životné prostredie. Všetky materiály použité na zabalenie sú neškodné pre životné prostredie, sú 100% recyklovateľné a sú označené príslušným symbolom.

Pozor! Dávajte pozor, aby sa obalové materiály (polyetylénové vrecká, kúsky polystyrénu atď.) nedostali do rúk deťom.

LIKVIDÁCIA ZARIADENÍ



Toto zariadenie je označené v súlade s Európskou smernicou 2012/19/ES. Tento symbol informuje, že toto zariadenie sa po opotrebovaní (skončení používania) nesmie vyhodiť do komunálneho odpadu.

Užívateľ je povinný zariadenie odovzdať v zbernom mieste opotrebovaných elektrických a elektronických zariadení. Subjekty, ktoré sa zaoberajú spracovaním opotrebovaných zariadení, tzn. miestne zberné miesta, obchody alebo jednotky štátnej správy, vytvárajú príslušný systém, ktorý každému umožňuje odovzdať takéto zariadenia.

Správny postup pri likvidácii elektrického a elektronického zariadenia predchádza negatívnemu vplyvu škodlivých pre ľudské zdravie a životné prostredie konzekvencií, ktoré vyplývajú z prítomnosti nebezpečných častí ako aj nesprávneho skladovania a recyklácie takýchto zariadení.

OVLÁDACIE PRVKY

Ovládacie prvky – jedna a dve zóny

Ovládací panel je zobrazený na obr. č. 4. Je zobrazený aj nižšie:

Jedna zóna



Dve zóny



- ⓘ – Tlačidlo napájania
- ☀ – Tlačidlo osvetlenia
- +
-

Zapnutie / vypnutie napájania

Keď chcete vlnotéku zapnúť, stlačte a na cca 1 sekundu podržte tlačidlo napájania.

Keď chcete vlnotéku vypnúť, stlačte a na cca 5 sekúnd podržte tlačidlo napájania.

Zmena teploty

- Stláčaním tlačidla "+" alebo "-" nastavíte požadovanú teplotu, ktorá sa zobrazí na displeji.
- Predvolene je nastavená teplota 12 °C / 54 °F.
- Keď chcete zmeniť jednotku teploty zo stupňov Fahrenheita na stupne Celzia, alebo naopak, stlačte a na cca 5 sekúnd podržte tlačidlo osvetlenia.
- Keď chcete skontrolovať, aká teplota je zadaná, v ľubovoľnej chvíli stlačte tlačidlo "+" alebo "-" a hodnota zadanej teploty bude blikať na LED displeji cca 5 sekúnd.
- Keď je vlnotéka zapnutá, na displeji sa zobrazuje hodnota aktuálnej teploty vo vnútri komory.

Voľba optimálnej teploty

Najlepšia teplota na skladovanie vína je 13-15 °C, ale víno môže byť skladované aj pri teplote podávania. Pre červené víno je to 15-17 °C, a pre biele víno 12-13 °C.

Osvetlenie vnútra

Stláčaním tlačidla osvetlenia sa zapína a vypína osvetlenie.

Pozor: Teplota v dolnej zóne musí byť nastavená na takej istej úrovni alebo vyššej, než v hornej zóne. Optimálna práca sa dosahuje, keď teplota v oboch zónach sa líši aspoň o 4 °C.

Vlhkosť vo vnútri

Niektoré modely vínotiek majú dodatočne systém udržiavania optimálnej vlhkosti. Nádobu na vodu systému udržiavania vlhkosti naplňte vodou do 3/4 objemu. Nádobu umiestnite na koľajničkách na hornej polici tak, ako je to predstavené na obr. 2. Nádobu vložte správne, aby sa z nej voda nevyliala. Pravidelne kontrolujte množstvo vody v nádobe, a keď je to potrebné, doplňte ju.

Displej teploty

Na displeji teploty sa zobrazuje aktuálna teplota v komore vínotéky.

Displej bliká:

- Počas nastavovania inej teploty
- Ak sa teplota vo vnútri líši od hodnoty nastavenej teploty o +/- 5 stupňov.

V prípade, ak sa teplota nadmerne zvýši, je to výstraha pred prípadným znehodnotením obsahu vínotéky.

Tichý režim

Keď teplota v komore dosiahne požadovanú hodnotu, zariadenie nepoužíva ventilátor.

Vínotéka má predvolene nastavený tichý režim. Keď chcete zmeniť na režim dynamického chladenia stlačte a na cca 5 sekúnd podržte tlačidlo "-" (tlačidlo "-" na ľavej strane vo vínotékach s dvoma zónami). Vínotéka päťkrát vydá zvukový signál, ktorý potvrdzuje, že sa aktivoval režim dynamického chladenia.

Režim dynamického chladenia

Ventilátor sa pravidelne spúšťa a vypína, čím udržiava náležitú cirkuláciu vzduchu dokonca aj vtedy, keď je dosiahnutá požadovaná teplota. Vďaka tomu sa v komore dosahuje potrebná stála a rovnomerná vlhkosť a teplota, čím sa vytvárajú ideálne podmienky na dlhodobé skladovanie. Režim dynamického chladenia vytvára viac hluku, keď je zariadenie spustené.

Keď chcete zmeniť na tichý režim stlačte a na cca 5 sekúnd podržte tlačidlo "+" (Tlačidlo "+" na ľavej strane vo vínotékach s dvoma zónami). Vínotéka trikrát vydá zvukový signál, ktorý potvrdzuje, že sa aktivoval tichý režim.

Víkendový režim

Keď je aktívny tento režim, je vypnutý displej, vnútorné osvetlenie ako aj zvukové signály. Chladenie stále funguje normálne. Keď chcete aktivovať Víkendový režim, stlačte a na cca 5 sekúnd súčasne podržte tlačidlá napájania a osvetlenia. Displej zabliká štyrikrát, čím sa potvrdí aktivácia režimu. Víkendový režim sa automaticky vypne po 96 hodinách; dovolenkový režim môžete vypnúť hocikedy stlačením a na cca 5 sekúnd podržaním súčasne tlačidiel napájania a osvetlenia.

Alarm teploty

Ak teplota vzrastie alebo spadne pod stanovený rozsah, aktivuje sa zvukový alarm a displej začne blikať. Dôvody môžu byť nasledovné:

- Vínotéka ešte nedosiahla nastavenú teplotu (pri prvom spustení).
- Došlo k prerušeniu el. napätia.
- Vínotéka je preťažená (je vložených príliš veľa fliaš).
- Dvere nie sú správne zatvorené.

ČISTENIE A ÚDRŽBA

Pred čistením i vykonávaním údržby zariadenie odpojte od el. napätia vytiahnutím zástrčky z el. zásuvky.

Vyberanie políc

- Keď chcete z vínotéky vybrať police, v prvom rade vyberte všetky fľaše, následne potiahnite policu dopredu, až kým sa drážky na oboch stranách police nevyrovnajú s plastovými výbežkami na oboch stranách komory (tak ako je to predstavené na obr. 5). Následne policu zdvihnite dohora a potiahnite dopredu.
- Keď chcete policu vložiť naspäť, postupujte adekvátne v opačnom poradí.

Čistenie

- Na čistenie nepoužívajte drsné čistiace prostriedky ani prípravky. Po umytí vypláchnite a dôkladne vysušte.
- Plášť zariadenia a tesnenia dverí umývajte vodou s dodatkom malého množstva prípravku na umývanie riadu, následne dôkladne vysušte.
- Vnútro zariadenia umývajte roztokom sódy a teplej vody.
- Police umývajte osobite vodou s dodatkom malého množstva prípravku na umývanie riadu. Police neumývajte v umývačke riadu.
- Ovládací panel a elektrické časti pretierajte vlhkou handričkou, a pred pripojením zariadenia k el. napätiu dôkladne vysušte.
- Zariadenie po umytí pripojte k el. napätiu.
- Ak zariadenie nebudete dlhší čas používať, odpojte ho od el. napätia a dôkladne umyte. Dvere nechajte odchylené, aby vo vnútri nevznikol nepríjemný zápach a nekondenzovala sa vo vnútri vodná para.

RIEŠENIE PROBLÉMOV

V prípade akýchkoľvek problémov, predtým, než zavoláte servis, skontrolujte tipy na samostatné riešenie problémov, aby ste predišli nepotrebnému zásahu servisu a s tým súvisiacim nákladom.

Ak zariadenie nefunguje

- Skontrolujte, či je zariadenie pripojené k el. napätiu.
- Skontrolujte, či sa neaktivovali ističe alebo poistky v danom obvode, alebo či sa neaktivovala poistka v zástrčke.
- Skontrolujte, či je použitá el. zásuvka funkčná. Pripojte iný el. spotrebič a skontrolujte, či el. zásuvka funguje.
- Teplota prostredia musí byť v rozsahu od +16 °C do +32 °C.

Ak zariadenie síce funguje, ale nefunguje príliš dobre, skontrolujte

- Či nie je zariadenie preťažené.
- Či je termostat nastavený na vhodnú teplotu.
- Či sú dvere zatvorené správne.
- Či tesnenie dverí dobre prilieha.
- Či je vetranie zboku a zozadu dostatočné.
- Teplota prostredia musí byť v rozsahu od +16 °C do +32 °C.

Ak je zariadenie príliš hlučné

- Skontrolujte, či zariadenie stojí vodorovne a stabilne.
- Plynová chladiaca zmes vytvára hluk dokonca aj vtedy, keď nie je spustený kompresor.
- Keď je zariadenie zapnuté, ventilátor môže byť spustený dokonca aj vtedy, keď nie je spustený kompresor.

Ak nefunguje osvetlenie

- Skontrolujte, či je zariadenie pripojené k el. napätiu.
- Skontrolujte, či sa neaktivovali ističe alebo poistky v danom obvode, alebo či sa neaktivovala poistka v zástrčke.
- Tlačidlo osvetlenia nie je prepnuté v zapnutej polohe.

Pozor:

LED osvetlenie môžete vymeniť samostatne, nemusíte volať servis.

Ak dvere nie sú zatvorené správne, skontrolujte

- Skontrolujte, či zariadenie stojí vodorovne a stabilne.
- Ak boli dvere zložené, možno neboli namontované naspäť správne.
- Tesnenie dverí je znečistené.
- Police nie sú správne vložené.

Ak na displeji svieti "E1" alebo "E2"

- Porucha snímača teploty. Kontaktujte servis.

ZÁRUKA, POPREDAJNÝ SERVIS

Záruka

Záruka sa poskytuje podľa podmienok uvedených v záručnom liste. Výrobca neodpovedá za akékoľvek škody spôsobené nesprávnym zaobchádzaním a používaním výrobku.



Výrobca zariadenia odporúča, aby všetky opravy a nastavenia výrobku vždy vykonával továrenský servis alebo autorizovaný servis výrobcu. Zariadenie môže opravovať iba certifikovaný technik, ktorý má potrebné kvalifikácie

Vyhlásenie výrobcu

Výrobca týmto vyhlasuje, že výrobok spĺňa dôležité požiadavky nasledujúcich európskych smerníc:

- smernica pre nízke napätie 2014/35/EC
- smernica elektromagnetickej kompatibility 2014/30/EC
- smernica ErP - 2009/125/EC
- smernica RoHS 2011/65/EC

a preto výrobok získal označenie  a bolo preň vydané Vyhlásenie o zhode, a toto vyhlásenie bolo sprístupnené orgánom obchodnej inšpekcie.

Cher Client

À partir d'aujourd'hui les tâches quotidiennes deviennent encore plus faciles. Cet appareil **Amica** combine une facilité d'utilisation exceptionnelle à une efficacité parfaite. Après la lecture du mode d'emploi, l'utilisation de l'appareil ne vous posera aucun problème.

La sécurité et la fonctionnalité de l'équipement sorti d'usine ont été soigneusement vérifiées sur les postes de contrôle avant son emballage.

Prière de lire attentivement le mode d'emploi avant la mise en fonctionnement de l'appareil. Respecter ses indications vous protégera contre toute utilisation incorrecte. Garder le mode d'emploi dans un endroit accessible.

Respecter les instructions de ce mode d'emploi afin d'éviter des accidents.

Respectueusement

Amica

CONSIGNES DE SECURITÉ D'UTILISATION

- L'appareil n'est destiné qu'à un usage domestique.
- Le fabricant se réserve le droit d'apporter des modifications qui n'affectent pas le fonctionnement de l'appareil.
- Le fabricant n'assume aucune responsabilité pour des dommages causés par une utilisation non conforme aux instructions.
- Veuillez garder cette notice dans le but de s'en servir en avenir soit de la transmettre à un éventuel utilisateur future.
- Cet appareil n'est pas conçu pour être utilisé par des personnes (y compris les enfants) à aptitudes physiques, sensorielles ou mentales réduites ainsi que par des personnes manquant d'expérience et de connaissances à moins que cette utilisation s'effectue sous la surveillance ou en accord avec la notice d'utilisation remise par les personnes responsables de la sécurité.
- Veillez à ce que les enfants sans surveillance n'utilisent pas l'appareil. Ne les laissez pas jouer avec l'appareil. Il est interdit qu'ils s'assoient sur les éléments sortants ainsi qu'ils se penchent sur la porte.
- L'appareil fonctionne convenablement à la température ambiante qui est indiquée dans le tableau des spécifications techniques. Evitez de placer l'appareil dans une cave, un vestibule ou dans un chalet sans chauffage en automne et en hiver.
- Pendant le placement, le déplacement, le soulèvement ne saisissez pas les poignées des portes, ne tirez pas par le réfrigérant à l'arrière du réfrigérateur ainsi que ne touchez pas le groupe compresseur.

- Avant chaque entretien courant débranchez l'appareil. Ne tirez pas par le cordon d'alimentation mais débranchez-le en saisissant la fiche de la prise.
- Les bruits comme des craquements ou des éclatements sont causés par des élargissements et des rétrécissements des pièces résultant des changements de température
- Pour des raisons de sécurité, il ne faut pas dépanner l'appareil de ses propres moyens. Les réparations faites par des personnes non qualifiées dans ce domaine peuvent constituer un danger à la sécurité de l'utilisateur de l'appareil.
- Faites attention à ne pas détériorer le circuit frigorifique, par ex. par le piquage de canaux du produit frigorifique dans l'évaporateur, la rupture des tuyaux. Le fluide frigorigène jaillissant est inflammable. Au cas du contact du produit avec les yeux, rincez les avec de l'eau propre et immédiatement contactez le médecin.
- Attention! Si le câble d'alimentation non débranchable est endommagé, il doit être échangé chez le fabricant, dans un établissement de réparations spécialisé ou par une personne qualifiée afin d'éviter tout danger.
- L'appareil doit être complètement débranché de l'alimentation (en retirant la prise d'alimentation) pour effectuer des tâches telles que le nettoyage, l'entretien ou le changement de son emplacement.
- Cet appareil peut être utilisé par des enfants âgés de 8 ans ou plus, par des personnes avec des capacités motrices, sensorielles ou mentales réduites et par des personnes dénuées d'expérience ou de connaissance de l'équipement uniquement si elles se trouvent sous surveillance et qu'elles aient été instruites auparavant au sujet de l'exploitation de l'appareil de façon sûre et qu'elles connaissent les dangers liés à l'exploitation de l'appareil. Les enfants ne devraient pas jouer avec l'appareil. Le nettoyage et la maintenance

de l'appareil ne devraient pas être effectués par des enfants à moins qu'ils n'aient fini leurs 8 ans et ne soient surveillés par une personne appropriée.

- Il est interdit de nettoyer l'appareil avec de la vapeur
- Tenez l'appareil et son câble d'alimentation loin des enfants âgés de moins de 8 ans.
- Ne pas immerger le câble d'alimentation ni la fiche dans de l'eau.
- Maintenir le câble loin des surfaces chauffées.
- Empêcher que le câble d'alimentation soit suspendu par dessus du bord de la table ou du plan de travail.
- Ne pas utiliser d'appareils électriques à l'intérieur de la chambre
- Ne pas utiliser d'outils pour accélérer le dégivrage
- Nettoyer régulièrement les orifices d'aération de l'appareil (modèles encastrables et sous plan)
- Cet appareil n'est pas destiné à une utilisation avec des programmateurs ou autres dispositifs de mise hors tension à commande directe ou à distance.
- En cas de versement accidentel de liquide sur les éléments électriques, mettre immédiatement l'appareil hors tension.
- Veiller à ne pas écraser ou endommager le câble d'alimentation lors du montage.
- Avant l'élimination de l'appareil, le mettre hors d'usage. Débrancher l'alimentation et couper le câble d'alimentation. Afin d'éviter que des enfants ou des animaux ne s'enferment dans l'appareil, démonter la porte, les charnières et les fermetures.

INSTALLATION ET CONDITIONS DE FONCTIONNEMENT DE L'APPAREIL

- Brancher l'appareil à l'alimentation électrique 24 heures après son déballage et son installation à l'endroit choisi.
- Déballer l'appareil, enlever les bandes adhésives protégeant les portes et l'équipement. Les éventuels restes du col peuvent être enlevés avec un détergent délicat.
- Lavez l'intérieur du réfrigérateur ainsi que les autres éléments de l'équipement avec de l'eau tiède avec du produit lave vaisselle et ensuite essuyez et séchez.
- Placez votre réfrigérateur à niveau et en position stable à un sol solide, dans une pièce sèche, régulièrement aérée et non ensoleillée loin des sources de chaleur comme la cuisinière, le radiateur du chauffage central, le tuyau du chauffage central, l'installation de l'eau chaude, etc.
- Le film de protection qui peut recouvrir l'appareil doit être retiré.
- Placez l'appareil à niveau en visant 2 pieds réglables à l'avant (fig. 1)
- Laissez un espace libre sur les côtés et à l'arrière de l'appareil (voir le dessin de montage)
- S'assurer que l'encastrement de l'appareil ne bloque pas la grille d'aération se trouvant dans la partie inférieure du refroidisseur
- Une odeur particulière peut apparaître après la première mise en marche de l'appareil. Elle disparaîtra une fois l'intérieur de l'appareil refroidi
- A la première mise en marche, le compresseur de l'appareil fonctionnera sans arrêt jusqu'à ce que la température de consigne à l'intérieur de l'appareil soit atteinte
- Si l'alimentation électrique est débranchée, il est conseillé de la brancher de nouveau après au moins 5 minutes. Cela réduit le risque d'endommagement du compresseur.
- Dans les modèles choisis, la température correcte est affichée seulement quelques heures après la mise en marche du refroidisseur
- L'appareil doit être branché au réseau du courant alternatif 220-240V, 50Hz au moyen d'une prise murale correctement installée, mise à la terre et protégée par un coupe-circuit de 10 A.
- La mise à la terre de l'appareil est recommandée par la loi. Le fabricant renonce à une responsabilité quelconque à titre des endommagements éventuels qui peuvent subir les personnes ou les objets suite à ne pas remplir cette obligation imposée par cette règle.
- Il ne faut pas utiliser de raccords adaptatifs, de prises multiples (répartiteurs), de rallonges deux fils. S'il y a la nécessité d'utiliser un rallonge, il est permis d'utiliser qu'un rallonge avec un rouleau de sécurité, à prise unique ayant une attestation de sécurité VDE/GS.
- Au cas d'utilisation d'un rallonge (avec le rouleau de sécurité, ayant le signe de sécurité), sa prise doit être placée à une distance sûre des évier et ne peut pas être exposée à être submergée de l'eau ainsi que des autres égouts.
- Il faut assurer la possibilité de débrancher l'appareil par le retrait de la fiche ou par l'éteint de l'interrupteur bipolaires.

Classe climatique

L'information sur la classe climatique de l'appareil se trouve sur la plaque signalétique. Il indique la température ambiante (c'est-à-dire de la pièce dans laquelle il fonctionne) du fonctionnement optimal (correct) de l'appareil.

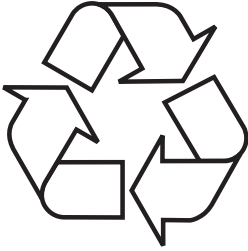
Classe climatique	Température ambiante acceptable
SN	de +10°C à +32°C
N	de +16°C à +32°C
ST	de +16°C à +38°C
T	de +16°C à +43°C

CONSEILS PRATIQUES

- Si l'éclairage reste allumé à l'intérieur de l'appareil, la température à l'intérieur est également supérieure
- La température à l'intérieur dépend du nombre et du type de bouteilles de vin conservées
- Pour garantir la sécurité de l'utilisateur et la qualité élevée du vin conservé, ne pas installer l'appareil dans des pièces humides
- Conserver les bouteilles aux endroits indiqués
- Le refroidisseur a une capacité limitée, ne pas placer plus de bouteilles qu'indiqué (Voir la fiche du produit)
- Ne pas ouvrir la porte du refroidisseur si cela n'est pas nécessaire
- Ne pas couvrir les clayettes de feuille aluminium ou autre matériau. Cela empêche la circulation de l'air à l'intérieur de l'appareil
- Pour éviter l'endommagement du joint de porte, avant de retirer la clayette, s'assurer la porte est complètement ouverte. Pousser les clayettes à fond, sinon celles-ci peuvent déformer le joint de porte et par conséquent complètement l'endommager.
- Ne pas tirer les clayettes chargées hors des limites de course (environ 1/3 de la longueur de la clayette)
- Cet appareil est conçu pour la conservation de bouteilles de vin, ne pas l'utiliser à d'autres fins
- Pour la conservation du vin, la stabilité de la température est d'une très grande importance
- L'exposition du refroidisseur aux rayons de soleil, à de grandes variations de température, à une humidité élevée et aux vibrations peut rendre le vin impropre à la consommation
- À des périodes d'humidité élevée, de la condensation peut se former sur les surfaces en verre extérieures de la porte. Pour éviter cela, il est conseillé d'installer l'appareil dans un endroit sec et bien aéré
- Les modèles choisis dispose d'une poignée extérieure, fixez-la par vous-même. Pour ce faire, il est interdit d'utiliser des outils électriques (fig. 3).
- La capacité maximale de l'appareil est indiquée sur la fiche du produit jointe à l'appareil. Cette capacité concerne les bouteilles standard de type Bordeaux 0,75l
- Les modèles choisis sont équipés d'un système empêchant le renversement. Le monter selon le schéma joint (Fig. 6*).

*Existe selon le modèle

DÉBALLAGE



Pour son transport, l'appareil a été emballé afin de le protéger contre les endommagements. Après déballage de l'appareil, prière d'éliminer les éléments de l'emballage d'une façon non nuisible à l'environnement. Tous les matériaux utilisés pour l'emballage sont inoffensifs pour l'environnement et recyclables à 100% (ils sont marqués par un symbole approprié)

Attention! Lors du déballage, garder les matériaux d'emballage (petits sacs polyéthylène, morceaux de polystyrène, etc.) hors de portée des enfants.

ÉLIMINATION DES APPAREILS USAGÉS



Cet appareil est marqué par le symbole du conteneur à déchets, rayé, conformément à la Directive Européenne 2012/19/CE. Ce symbole signale que le produit, après sa période d'utilisation, ne pourra pas être éliminé avec d'autres déchets ménagers.

L'utilisateur est obligé de le rendre à un point de collecte des appareils électriques et électroniques usagés. De tels points de collecte sont mis en place par les communes, certains magasins et entreprises de ramassage des déchets.

Respecter les règles d'élimination des appareils électriques et électroniques permet d'éviter des conséquences nuisibles à la santé humaine et à l'environnement naturel, à cause de la possibilité de présence de constituants dangereux ou de transformations inappropriées à ce type d'appareil.

ÉLÉMENTS DE COMMANDE

Éléments de commande – une et deux zones





Le panneau de commande est présenté sur le dessin 4. Il est présenté également ci-dessous :

Une zone



Deux zones



-  – Touche d'alimentation
-  – Touche d'éclairage
-  – Touche « + »
-  – Touche « - »

Allumer / éteindre l'alimentation

Pour allumer le refroidisseur à vin, appuyer sur et maintenir pressée la touche d'alimentation pendant 1 seconde.

Pour éteindre le refroidisseur à vin, appuyer sur et maintenir pressée la touche d'alimentation pendant 5 secondes.

Modification de la température

- Appuyer sur la touche « + » ou « - » jusqu'à l'affichage de la température adéquate.
- Le réglage par défaut de la température est de 12°C / 54°F.
- Pour changer l'unité de Fahrenheit en Celsius ou l'inverse, appuyer sur et maintenir pressée la touche d'éclairage pendant 5 secondes.
- Pour vérifier la température réglée, appuyer à tout moment sur la touche « + » ou « - » et la température réglée clignotera sur l'afficheur LED pendant 5 secondes.
- Lorsque le refroidisseur à vin est allumé, l'afficheur indique la température actuelle à l'intérieur.

Choix de la température optimale

La meilleure température pour conserver le vin est de 13-15°C, mais le vin peut être également conservé à la température de service. Pour le vin rouge c'est: 15-17°C et pour le vin blanc: 12-13°C.

Eclairage intérieur

En appuyant sur cette touche, il est possible d'allumer et d'éteindre la lumière.

Attention : La température dans la zone inférieure doit être la même ou supérieure à celle dans la zone supérieure. Le refroidisseur fonctionne de manière optimale lorsque la température dans les deux zones diffère d'au moins 4°C.

Humidité intérieure

Certains modèles du refroidisseur à vin sont équipés d'un système de maintien d'une humidité optimale dans l'appareil. Remplir d'eau le bac du système d'humidité à 3/4 de sa capacité. Placer le bac sur les rails de la clayette supérieure comme monter sur le des. 2. Fixer le bac correctement pour que l'eau ne se déverse pas. Vérifier régulièrement le niveau d'eau et remplir le bac si nécessaire.

Affichage de la température

L'afficheur de température affiche la température actuelle à l'intérieur de l'appareil.

L'afficheur clignote :

- Lors du réglage d'une autre température
- Si la température à l'intérieur diffère de +/- 5° de la température réglée.

C'est un avertissement contre l'endommagement du contenu du refroidisseur en cas d'augmentation excessive de la température.

Mode silencieux

Une la température exigée atteinte, l'appareil fonctionne sans le travail des ventilateurs.

Le refroidisseur à vin est par défaut mis en mode silencieux. Pour changer le réglage en mode dynamique de refroidissement, appuyer sur et maintenir pressée la touche « - » pendant environ 5 secondes (la touche « - » sur le côté gauche dans les refroidisseurs à deux zones). Le refroidisseur à vin émettra un signal sonore cinq fois pour confirmer l'activation du refroidissement dynamique.

Mode de refroidissement dynamique

Le ventilateur travaille et s'arrête en alternance pour maintenir la circulation de l'air même lorsque la température exigée est atteinte. Cela assure une humidité et une température constante et égale dans le refroidisseur et crée des conditions idéales pour une conservation à long terme.

Le mode dynamique augmente le volume sonore lors du fonctionnement de l'appareil.

Pour changer le réglage en mode silencieux, appuyer sur et maintenir pressée la touche « + » pendant environ 5 secondes (la touche « + » sur le côté gauche dans les refroidisseurs à deux zones). Le refroidisseur à vin émettra un signal sonore trois fois pour confirmer l'activation du mode silencieux.

Mode week-end

L'activation de ce mode désactive l'afficheur, l'éclairage intérieur et les signaux sonores. Le refroidissement est maintenu.

Pour activer le Mode week-end, appuyer sur et maintenir pressées simultanément pendant 5 secondes les touches d'alimentation et d'éclairage. L'afficheur clignotera quatre fois et confirmera l'activation du mode. Le mode se désactive automatiquement après 96 heures : pour désactiver le mode à tout moment, appuyer sur et maintenir pressées simultanément pendant 5 secondes les touches d'alimentation et d'éclairage.

Alarme de la température

Si la température augmente ou baisse hors des limites d'une étendue définie, une alarme sonore se déclenche et l'afficheur clignote. Les causes peuvent être les suivantes :

- Le refroidisseur n'a pas encore atteint la température réglée (après la première mise en marche).
- Panne de courant.
- Le refroidisseur à vin est surchargé.
- La porte fermée de façon incorrecte.

NETTOYAGE ET ENTRETIEN

Avant le nettoyage et la maintenance de l'appareil, toujours débrancher l'alimentation électrique.

Retrait des clayettes

- Pour retirer les clayettes du refroidisseur à vin, d'abord sortir toutes les bouteilles et ensuite, tirer la clayette jusqu'à ce que les encoches des deux côtés soient ramenées au même niveau que les picots des deux côtés de la chambre (comme indiqué sur le des. 5). Ensuite, soulever la clayette et la tirer.
- Pour replacer la clayette dans le refroidisseur, procéder dans l'ordre inverse.

Nettoyage

- Ne pas utiliser de produits nettoyants abrasifs ou de détergents. Après le nettoyage, rincer et sécher soigneusement.
- Nettoyer le corps de l'appareil et les joints de porte à l'aide d'eau et d'un nettoyant doux et ensuite, sécher soigneusement.
- Nettoyer l'intérieur avec une solution de bicarbonate et d'eau tiède.
- Nettoyer les clayettes séparément avec de l'eau et un produit nettoyant. Ne pas laver les clayettes dans un lave-vaisselle.
- Essuyer le panneau de commande et les éléments électriques avec un chiffon humide et avant de brancher l'appareil à l'alimentation, les sécher soigneusement.
- Après le nettoyage, brancher l'appareil à l'alimentation.
- Si l'appareil n'est pas utilisé pendant une longue période, débrancher l'alimentation et le nettoyer soigneusement. Laisser la porte entrouverte pour éviter la formation d'odeurs et la condensation de l'eau.

RÉSOLUTION DES PROBLÈMES

En cas de problème, avant de faire appel au service technique, vérifier les conseils de résolution des problèmes pour éviter des déplacements et des coûts inutiles.

Si l'appareil ne fonctionne pas, vérifier

- Si l'alimentation est branchée
- Si les fusibles ou les disjoncteurs de protection dans le local fonctionnent correctement et si la protection dans la fiche n'est pas déclenchée.
- Si la prise n'est pas endommagée. Brancher un autre appareil pour vérifier si la prise n'est pas endommagée.
- La température ambiante doit être de 16°C à 32°C.

Si l'appareil fonctionne, mais d'une manière pas tout à fait efficace, vérifier

- Si l'appareil n'est pas surchargé.
- Si le thermostat est réglée sur une température adéquate.
- Si la porte est fermée correctement.
- Si le joint de porte adhère bien
- Si l'aération sur les côtés et à l'arrière est suffisante.
- La température ambiante doit être de 16°C à 32°C.

Si l'appareil fait du bruit, vérifier

- Si l'appareil est mis à niveau et repose sur une surface stable.
- Le réfrigérant gazeux fait du bruit même si le compresseur n'est pas en marche.
- Lors du fonctionnement de l'appareil, le ventilateur peut travailler même si le compresseur n'est pas en marche.

Si l'éclairage ne fonctionne pas, vérifier

- Si l'appareil est branché à l'alimentation électrique.
- Si les fusibles ou les disjoncteurs de protection dans le local fonctionnent correctement et si la protection dans la fiche n'est pas déclenchée.
- La touche d'éclairage n'est pas sur la position éteinte.

Attention:

L'éclairage LED ne peut pas être remplacé sans faire appel au service technique

Si la porte n'est pas fermée correctement, vérifier

- Si l'appareil est mis à niveau et repose sur une surface stable.
- Si la porte a été démontée, elle a pu être montée de nouveau incorrectement.
- Le joint de porte est sale.
- Les clayettes ne sont pas correctement insérées.

Si l'afficheur affiche « E1 » ou « E2 »

- Endommagement du capteur de température. Contacter le service

GARANTIE, SERVICE APRÈS-VENTE

Garantie

Service de garantie selon la carte de garantie. Le fabricant n'est responsable d'aucun dommage provoqué par une utilisation inappropriée du produit.




Le fabricant suggère de faire réaliser toute réparation et tout réglage par le Service Interventions ou un centre agréé du fabricant. La réparation doit être effectuée uniquement par un personnel qualifié.

Déclaration du fabricant

Par la présente le fabricant déclare que le produit est conforme à toutes les principales dispositions exigées par les directives de la communauté Européenne:

- directive Basse Tension 2014/35/CE
- directive Compatibilité électromagnétique 2014/30/CE
- directive 2009/125/CE
- directive RoHS 2011/65/CE

et c'est le pourquoi le produit est désigné par le symbol  ainsi qu'une déclaration de la conformité accessible aux organes chargés de la surveillance du marché a été délivrée.

Szanowny Kliencie

Od dziś codzienne obowiązki staną się prostsze niż kiedykolwiek. Urządzenie **Amica** to połączenie wyjątkowej łatwości obsługi i doskonałej efektywności. Po przeczytaniu instrukcji, obsługa nie będzie problemem.

Sprzęt, który opuścił fabrykę był dokładnie sprawdzony przed zapakowaniem pod względem bezpieczeństwa i funkcjonalności na stanowiskach kontrolnych.

Prosimy Państwa o uważną lekturę instrukcji obsługi przed uruchomieniem urządzenia. Przestrzeganie zawartych w niej wskazówek uchroni Państwa przed niewłaściwym użytkowaniem. Instrukcję należy zachować i przechowywać tak, aby mieć ją zawsze pod ręką.

Należy dokładnie przestrzegać instrukcji obsługi w celu uniknięcia nieszczęśliwych wypadków.

Z poważaniem

Amica

WSKAZÓWKI DOTYCZĄCE BEZPIECZEŃSTWA

- Urządzenie przeznaczone jest wyłącznie do użytku domowego.
- Producent zastrzega sobie możliwość dokonywania zmian niewpływających na działanie urządzenia.
- Producent nie ponosi odpowiedzialności za szkody wynikłe z nieprzestrzegania zasad umieszczonych w niniejszej instrukcji.
- Prosimy o zachowanie tej instrukcji w celu wykorzystania jej w przyszłości lub przekazania ewentualnemu następnemu użytkownikowi.
- Niniejszy sprzęt nie jest przeznaczony do użytkowania przez osoby (w tym dzieci) o ograniczonej zdolności fizycznej, czuciowej lub psychicznej oraz osoby o braku doświadczenia lub znajomości sprzętu, chyba, że odbywa się to pod nadzorem lub zgodnie z instrukcją użytkowania sprzętu, przekazanej przez osoby odpowiadające za ich bezpieczeństwo.
- Należy zwrócić szczególną uwagę, aby z urządzenia nie korzystały pozostawione bez opieki dzieci. Nie należy pozwalać im bawić się urządzeniem. Nie wolno im siadać na elementach wysuwanych i zawieszać się na drzwiach.
- Urządzenie pracuje prawidłowo w temperaturze otoczenia, która jest podana w karcie produktu. Nie należy użytkować jej w piwnicy, sieni, w nieogrzewanym domku letniskowym jesienią i zimą.
- Podczas ustawiania, przesuwania, podnoszenia nie należy chwytać za uchwyty drzwi, ciągnąc za skraplacz z tyłu lodówki oraz dotykać zespołu kompresora.
- Przed każdą czynnością konserwacyjną należy wyjąć wtyczkę z gniazdka sieciowego. Nie nale-

ży ciągnąć za przewód, lecz chwytać za korpus wtyczki.

- Dźwięki słyszalne jako trzaskanie lub pęknięcie są spowodowane przez rozszerzanie i kurczenie się części na skutek zmian temperatury.
- Ze względu na bezpieczeństwo nie należy naprawiać urządzenia we własnym zakresie. Naprawy, wykonywane przez osoby nie posiadające wymaganych kwalifikacji mogą stanowić poważne niebezpieczeństwo dla użytkownika urządzenia.
- Należy uważać, aby nie uszkodzić obiegu chłodniczego, np. przez nakłucie kanałów środka chłodniczego w parowniku, złamanie rur. Wytryskujący czynnik chłodniczy jest palny. W przypadku dostania się do oczu należy przepłukać je czystą wodą i wezwać natychmiast lekarza.
- Uwaga! Jeżeli przewód zasilający nieodłączalny ulegnie uszkodzeniu, to powinien on być wymieniony u wytwórcy lub w specjalistycznym zakładzie naprawczym albo przez wykwalifikowaną osobę w celu uniknięcia zagrożenia.
- Urządzenie należy całkowicie odłączyć od zasilania (poprzez wyciągnięcie wtyczki z gniazdka sieciowego) na czas wykonywania czynności takich jak czyszczenie, konserwacja czy zmiana miejsca ustawienia.
- To urządzenie może być używane przez dzieci w wieku 8 lat i starsze, przez osoby o ograniczonej zdolności fizycznej, czuciowej lub psychicznej oraz osoby o braku doświadczenia lub znajomości sprzętu, gdy są one nadzorowane lub zostały poinstruowane na temat korzystania z urządzenia w sposób bezpieczny i znają zagrożenia związane z użytkowaniem urządzenia. Dzieci nie powinny bawić się urządzeniem. Czyszczenie i konserwacja urządzenia nie powinna być wykonywana przez dzieci chyba że ukończyły 8 lat i są nadzorowane przez odpowiednią osobę.

- Urządzenia nie należy czyścić parą
- Trzymaj urządzenia i jego sznur przyłączeniowy z dala od dzieci poniżej 8 lat.
- Nie zanurzać шнура przyłączeniowego ani wtyczki w wodzie.
- Trzymać sznur przyłączeniowy z dala od gorących powierzchni.
- Nie dopuszczać aby sznur przyłączeniowy zwisał na krawędzi stołu lub blatu.
- Nie używaj elektrycznych urządzeń wewnątrz komory
- Nie używaj narzędzi do przyspieszenia rozmrażania
- Czyść regularnie otwory wentylacyjne urządzenia (w przypadku urządzeń do zabudowy lub podblatowych)
- To urządzenie nie jest zaprojektowane do działania z elektronicznymi programatorami czasowymi, ani innymi urządzeniami do odcinania zasilania bezpośrednio czy też zdalnie.
- W przypadku przypadkowego rozlania cieczy na elementy elektryczne natychmiast odłącz urządzenie od zasilania.
- Należy upewnić się, że podczas czynności montażowych, przewód zasilający nie został przygnieciony czy też uszkodzony.
- Przed utylizacją urządzenia należy uczynić je niezdarnym do użytku. Obejmuje to odłączenie od zasilania i odcięcie przewodu zasilającego. Aby zapobiec uwięzieniu dzieci lub zwierząt w urządzeniu, zdemontuj drzwi, zawiasy i zamki.

INSTALACJA I WARUNKI PRACY URZĄDZENIA

- Urządzenie podłączyć do zasilania po upływie 24 godzin od momentu rozpakowania i ustawienia w docelowym miejscu.
- Należy wyrób rozpakować, usunąć taśmy zabezpieczające drzwi i wyposażenie. Ewentualne pozostałe resztki kleju można usunąć delikatnym środkiem myjącym
- Wnętrze chłodziarki oraz elementy wyposażenia należy wymyć letnią wodą z dodatkiem płynu do mycia naczyń, a następnie wytrzeć i wysuszyć.
- Chłodziarkę należy ustawić na równym, poziomym i stabilnym podłożu, w suchym, przewietrzanym i nienasłonecznionym pomieszczeniu z dala od źródeł ciepła, takich jak kuchnia, grzejnik centralnego ogrzewania, rura centralnego ogrzewania, instalacja wody ciepłej itp.
- Na powierzchniach zewnętrznych wyrobu może znajdować się folia ochronna, należy ją usunąć.
- Należy zapewnić ustawienie wyrobu w poziomie, odpowiednio wkręcając 2 regulowane nóżki (Rys. 1).
- Zachowaj wolną przestrzeń po bokach i z tyłu urządzenia (patrz rysunek montażowy)
- Upewnij się, że instalacja urządzenia w zabudowie meblowej nie będzie blokować kratki wentylacyjnej znajdującej się w dolnej części chłodziarki
- Po pierwszym uruchomieniu urządzenia może pojawić się specyficzny zapach. Zniknie on gdy wnętrze urządzenia zostanie schłodzone
- Przy pierwszym uruchomieniu kompresor urządzenia będzie działał nieprzerwanie, aż do momentu uzyskania zadanej temperatury wewnątrz chłodziarki
- Po odłączeniu zasilania, ponowne jego podłączenie zaleca się wykonać po upływie min. 5 minut. Zmniejszy to ryzyko uszkodzenia kompresora.
- W wybranych modelach prawidłowa temperatura zostanie pokazana na wyświetlaczu dopiero po upływie kilku godzin od uruchomienia chłodziarki
- Urządzenie należy podłączyć do sieci prądu przemiennego 220-240V, 50Hz, poprzez prawidłowo zainstalowane gniazdko elektryczne, uziemione i zabezpieczone bezpiecznikiem 10 A.
- Uziemienie urządzenia jest wymagane przepisami prawa. Producent zrzeka się jakiegokolwiek odpowiedzialności z tytułu ewentualnych szkód, jakie mogą ponieść osoby lub przedmioty na skutek niewypełnienia obowiązku nałożonego przez ten przepis.
- Nie należy używać łączników adaptacyjnych, gniazd wielokrotnych (rozdzielaczy), przedłużaczy dwużyłowych. Jeśli zachodzi konieczność stosowania przedłużacza, może to być tylko przedłużacz z kołkiem ochronnym, jednogniazdowy posiadający atest bezpieczeństwa VDE/GS.
- Jeśli zostanie zastosowany przedłużacz (z kołkiem ochronnym, posiadający znak bezpieczeństwa), to jego gniazdo musi leżeć w bezpiecznej odległości od zlewozmywaków i nie może być narażone na zalewanie wodą i różnymi ściekami.
- Należy zapewnić możliwość odłączenia urządzenia od sieci elektrycznej, poprzez wyjęcie wtyczki lub wyłączenie wyłącznika dwubiegunowego.

Klasa klimatyczna

Informacja o klasie klimatycznej urządzenia znajduje się na tabliczce znamionowej. Wskazuje ona, w jakiej temperaturze otoczenia (tj. pomieszczenia, w którym pracuje) wyrób działa optymalnie (prawidłowo).

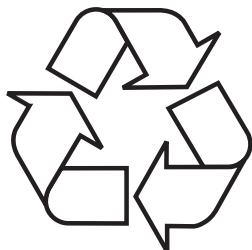
Klasa klimatyczna	Dozwolona temperatura otoczenia
SN	od +10°C do +32°C
N	od +16°C do +32°C
ST	od +16°C do +38°C
T	od +16°C do +43°C

PRAKTYCZNE PORADY

- Jeżeli światło wewnątrz urządzenia pozostaje włączone, należy pamiętać, że temperatura wewnątrz urządzenia będzie wyższa
- Temperatura wnętrza zależy od ilości i rodzaju przechowywanych butelek z winem
- Aby zagwarantować bezpieczeństwo użytkownika oraz wysoką jakość przechowywanego wina, nie instaluj urządzenia w wilgotnych pomieszczeniach
- Przechowuj butelki wina w wyznaczonych miejscach
- Chłodziarka ma ograniczoną pojemność, nie umieszczaj więcej butelek niż określona ilość (Patrz karta produktu)
- Nie otwieraj drzwi chłodziarki jeżeli nie jest to konieczne
- Nie pokrywaj półek folią aluminiową, ani innym materiałem. Blokuje to cyrkulację powietrza wewnątrz urządzenia
- Aby uniknąć uszkodzenia uszczelki drzwi, przed wyciągnięciem półki upewnij się, że drzwi są całkowicie otwarte. Półki należy wsuwać do oporu, w innym wypadku, półka może odkształcić uszczelkę, co może spowodować jej całkowite uszkodzenie.
- Nie wysuwaj załadowanych półek poza granicę wysuwu (około 1/3 długości półki)
- To urządzenie zaprojektowano do przechowywania butelek z winem, nie używaj go do innych celów
- Stabilność temperatury ma bardzo duże znaczenie podczas przechowywania wina
- Wystawienie chłodziarki na promienie słoneczne, duże wahania temperatury, wysoka wilgotność jak i wibracje mają spowodować że wino będzie niezdatne do spożycia
- W okresach wysokiej wilgotności na zewnętrznych powierzchniach szklanych drzwi może pojawić się skroplona para wodna. Aby temu zapobiec zaleca się instalować urządzenie w suchym, odpowiednio wentylowanym pomieszczeniu
- Wybrane modele posiadają uchwyt zewnętrzny, należy go przykręcić we własnym zakresie. Nie używaj do tego celu elektronarzędzi (Rys. 3)*.
- Maksymalna pojemność urządzenia podana jest w karcie produktu dołączonej do chłodziarki. Pojemność ta dotyczy standardowych butelek typu Bordeaux 0,75l
- Wybrane modele posiadają blokadę przeciwko przewróceniu się urządzenia. Zamontuj ją wg załączonego schematu. (Rys. 6)*.

*W zależności od modelu

ROZPAKOWANIE



Urządzenie na czas transportu zostało zabezpieczone przed uszkodzeniem. Po rozpakowaniu urządzenia prosimy Państwa o usunięcie elementów opakowania w sposób niezagrażający środowisku.

Wszystkie materiały zastosowane do opakowania są nieszkodliwe dla środowiska naturalnego, w 100% nadają się do odzysku i oznakowano je odpowiednim symbolem.

Uwaga! Materiały opakowaniowe (woreczki polietylenowe, kawałki styropianu itp.) należy w trakcie rozpakowywania trzymać z dala od dzieci.

USUWANIE ZUŻYTYCH URZĄDZEŃ



To urządzenie jest oznaczone zgodnie z Dyrektywą Europejską 2012/19/UE oraz polską Ustawą o zużyтым sprzęcie elektrycznym i elektronicznym symbolem przekreślonego kontenera na odpady. Takie oznakowanie informuje, że sprzęt ten, po okresie jego użytkowania, nie może być umieszczany łącznie z innymi odpadami pochodzącymi z gospodarstwa domowego.

Użytkownik jest zobowiązany do oddania go prowadzącym zbieranie zużytego sprzętu elektrycznego i elektronicznego. Prowadzący zbieranie, w tym lokalne punkty zbiórki, sklepy oraz gminne jednostki, tworzą odpowiedni system umożliwiający oddanie tego sprzętu.

Właściwe postępowanie ze zużyтым sprzętem elektrycznym i elektronicznym przyczynia się do uniknięcia szkodliwych dla zdrowia ludzi i środowiska naturalnego konsekwencji, wynikających z obecności składników niebezpiecznych oraz niewłaściwego składowania i przetwarzania takiego sprzętu.

ELEMENTY STEROWANIA

Elementy sterowania- jedna i dwie strefy

Panel sterowania jest pokazany na rysunku 4. Pokazany jest również poniżej:

Jedna strefa



Dwie strefy



- ⓘ – Przycisk zasilania
- 💡 – Przycisk oświetlenia
- + – Przycisk “+”
- – Przycisk “-”

Włączenie / wyłączenie zasilania

Aby włączyć chłodziarkę do wina nacisnąć i przytrzymać przycisk zasilania przez 1 sekundę.

Aby wyłączyć chłodziarkę do wina nacisnąć i przytrzymać przycisk zasilania przez 5 sekund.

Zmiana temperatury

- Naciskać przycisk “+” lub “-” do wyświetlenia odpowiedniej temperatury na wyświetlaczu.
- Domyślne ustawienie temperatury to 12°C / 54°F.
- Aby zmienić jednostkę temperatury z Fahrenheitów na Celsjusze lub odwrotnie, nacisnąć i przytrzymać przycisk oświetlenia przez 5 sekund.
- Aby sprawdzić ustawioną temperaturę nacisnąć w dowolnym czasie przycisk “+” lub “-”, a ustawiona temperatura będzie migać na wyświetlaczu LED przez 5 sekund.
- Kiedy chłodziarka do wina jest włączona wyświetlacz wskazuje aktualną temperaturę wewnątrz.

Wybór optymalnej temperatury

Najlepsza temperatura przechowywania wina to 13-15°C, ale wino można przechowywać również w temperaturze serwowania. Dla wina czerwonego jest to 15-17°C, a dla wina białego 12-13°C.

Oświetlenie wewnątrz

Naciskając przycisk oświetlenia można włączyć i wyłączyć światło.

Uwaga: Temperatura w dolnej strefie musi być ustawiona taka sama lub wyższa niż w górnej strefie. Optymalną pracę uzyskuje się gdy temperatura w obu strefach różni się o co najmniej 4°C.

Wilgotność wewnątrz

Niektóre modele chłodziarek do wina są wyposażone w system utrzymania optymalnej wilgotności w chłodziarce. Napełnić pojemnik systemu wilgotności do 3/4 objętości wodą. Umieścić pojemnik na szynach na górnej półce jak pokazano na rys. 2. Ustawić pojemnik prawidłowo, aby nie doszło do rozlania wody. Sprawdzać regularnie poziom wody i w miarę potrzeby uzupełnić.

Wyświetlacz temperatury

Wyświetlacz temperatury wskazuje aktualną temperaturę wewnątrz.

Wyświetlacz miga:

- Podczas ustawiania innej temperatury
- Jeśli temperatura wewnątrz różni się o +/- 5° od temperatury ustawionej.

Służy to ostrzeżeniu przed uszkodzeniem zawartości chłodziarki jeśli temperatura nadmiernie wzrośnie.

Silent Mode (Tryb cichy)

Po osiągnięciu wymaganej temperatury urządzenie działa bez pracy wentylatora.

Chłodziarka do wina ma domyślnie ustawiony ten tryb. Aby zmienić ustawienie na tryb dynamicznego chłodzenia nacisnąć i przytrzymać przycisk "-" przez około 5 sekund (przycisk "-" z lewej strony w chłodziarkach dwustrefowych). Chłodziarka do wina wyda pięć razy sygnał dźwiękowy, aby potwierdzić włączenie dynamicznego chłodzenia.

Tryb dynamicznego chłodzenia

Wentylator naprzemiennie pracuje i wyłącza się, aby utrzymać cyrkulację powietrza nawet wtedy, gdy osiągnięta jest wymagana temperatura. Zapewnia to stałą i równomierną wilgotność i temperaturę w chłodziarce i stwarza idealne warunki do długotrwałego przechowywania wina.

Tryb dynamicznego chłodzenia zwiększa poziom emitowanego hałasu podczas pracy urządzenia.

Aby zmienić ustawienie na tryb cichy nacisnąć i przytrzymać przycisk "+" przez około 5 sekund (przycisk "+" z lewej strony w chłodziarkach dwustrefowych). Chłodziarka do wina wyda trzy razy sygnał dźwiękowy, aby potwierdzić włączenie wyciszenia.

Tryb weekendowy

W tym trybie wyłączany jest wyświetlacz, oświetlenie wewnątrz i sygnały dźwiękowe. Chłodzenie jest stale utrzymywane.

Aby włączyć tryb weekendowy nacisnąć i przytrzymać przez 5 sekund jednocześnie przyciski zasilania i oświetlenia. Wskaźnik będzie migać cztery razy i potwierdzi włączenie trybu. Tryb wyłączy się automatycznie po 96 godzinach; aby wyłączyć tryb w dowolnym czasie nacisnąć i przytrzymać jednocześnie przycisk zasilania i oświetlenia przez 5 sekund.

Alarm Temperatury

Jeśli temperatura wzrośnie lub spadnie poniżej określonego zakresu, rozlegnie się alarm dźwiękowy, a wyświetlacz będzie migać. Powodem może być:

- Chłodziarka nie osiągnęła jeszcze ustawionej temperatury (po pierwszym włączeniu).
- Wystąpiła przerwa w zasilaniu.
- Chłodziarka do wina jest przeładowana.
- Drzwi nie są zamknięte prawidłowo.

CZYSZCZENIE I KONSERWACJA

Przed czyszczeniem i konserwacją odłącz urządzenie od zasilania.

Wymywanie półek

- Aby wyjąć półki z chłodziarki wina, w pierwszej kolejności wyjąć wszystkie butelki, a następnie pociągnąć półkę do przodu, aż wcięcia po obydwu stronach półki wyrównają się z plastikowymi wypustkami po obydwu stronach komory (jak pokazano na rys. 5). Następnie podnieść półkę do góry i wyciągnąć do przodu.
- Aby włożyć półkę postępować w odwrotnej kolejności.

Czyszczenie

- Nie stosować ściernych środków czyszczących i detergentów. Po umyciu wypłukać i dokładnie osuszyć.
- Obudowę urządzenia i uszczelki drzwi myć używając wody z delikatnym środkiem myjącym, po umyciu dokładnie osuszyć.
- Wnętrze urządzenia czyścić roztworem sody w ciepłej wodzie.
- Półki myć osobno wodą ze środkiem myjącym. Nie wkładać półek do zmywarki.
- Panel sterowania przecierać wilgotną ściereczką, a przed podłączeniem urządzenia do zasilania dokładnie osuszyć.
- Po umyciu podłączyć urządzenie do zasilania.
- Jeśli urządzenie nie będzie wykorzystywane przez dłuższy okres, odłączyć od zasilania i dokładnie umyć. Drzwi pozostawić uchylone, aby zapobiec powstaniu zapachu lub skraplaniu się wody.

ROZWIĄZYWANIE PROBLEMÓW

W przypadku jakichkolwiek problemów, przed wezwaniem serwisu sprawdzić wskazówki co do samodzielnego rozwiązywania problemów, aby uniknąć niepotrzebnych wizyt serwisowych i obciążenia kosztami.

Jeśli urządzenie nie działa, należy sprawdzić

- Czy zasilanie jest podłączone do urządzenia
- Czy bezpieczniki lub wyłączniki zabezpieczające w domu są sprawne,
- Czy gniazdo jest sprawne. Podłączyć inne urządzenie elektryczne, aby sprawdzić czy gniazdo jest sprawne.
- Temperatura otoczenia musi się mieścić w klasie klimatycznej, do której urządzenie zostało przystosowane.

Jeśli urządzenie działa, ale niezbyt dobrze, należy sprawdzić

- Czy urządzenie nie jest przeciążone.
- Czy została ustawiona odpowiednia temperatura.
- Czy drzwi są zamknięte prawidłowo.
- Czy uszczelka drzwi dobrze dolega
- Czy wentylacja z boków i z tyłu urządzenia jest wystarczająca.
- Temperatura otoczenia musi się mieścić w klasie klimatycznej, do której urządzenie zostało przystosowane.

Jeśli urządzenie hałasuje, należy sprawdzić

- Czy urządzenie jest wypoziomowane i stoi stabilnie.
- Gaz chłodniczy znajdujący się w układzie powoduje hałas, nawet jeśli sprężarka nie pracuje.
- Podczas pracy urządzenia wentylator może się obracać, nawet jeśli nie działa sprężarka.

Jeśli nie działa oświetlenie, należy sprawdzić

- Czy zasilanie jest podłączone do urządzenia.
- Bezpieczniki lub wyłączniki zabezpieczające w domu są sprawne.
- Przycisk oświetlenia nie jest w pozycji wyłączonej.

Uwaga:

Oświetlenie LED powinno być serwisowane przez technika. Nie należy naprawiać oświetlenia bez stosownych uprawnień.

Jeśli drzwi nie są zamknięte prawidłowo, należy sprawdzić

- Czy urządzenie jest wypoziomowane i stoi stabilnie.
- Jeśli drzwi były zdejmowane, mogły nie zostać zamontowane prawidłowo.
- Uszczelka drzwi jest zabrudzona.
- Półki nie są prawidłowo włożone.

Jeśli na wyświetlaczu świeci się "E1" lub "E2"

- Uszkodzenie czujnika temperatury. Należy skontaktować się z serwisem

GWARANCJA, OBSŁUGA POSPRZEDAŻOWA

Gwarancja

Świadczenia gwarancyjne wg karty gwarancyjnej. Producent nie odpowiada za jakiegokolwiek szkody spowodowane nieprawidłowym postępowaniem z wyrobem.



Producent sprzętu sugeruje, by wszelkie naprawy i czynności regulacyjne były wykonywane przez Serwis Fabryczny lub Serwis Autoryzowany producenta. Napraw powinna dokonywać jedynie osoba posiadająca stosowne kwalifikacje.

Oświadczenie producenta

Producent deklaruje niniejszym, że wyrób ten spełnia zasadnicze wymagania wymienionych poniżej dyrektyw europejskich:

- dyrektywy niskonapięciowej 2014/35/UE
- dyrektywy kompatybilności elektromagnetycznej 2014/30/UE
- dyrektywy ekoprojektowania 2009/125/UE
- dyrektywy RoHS 2011/65/UE

i dlatego wyrób został oznakowany  oraz została wystawiona dla niego deklaracja zgodności udostępniana organom nadzorującym rynek.

Estimado Cliente

A partir de hoy tus deberes serán más fáciles que nunca. El aparato de la marca **Amica** es excepcionalmente fácil de usar y perfectamente eficaz. Después de leer el manual, el uso no será ningún problema.

El equipo, antes de abandonar la fábrica y ser empaquetado, fue minuciosamente comprobado que funciona seguramente en los puestos de control de calidad.

Les rogamos lean con atención este manual de la primera puesta en marcha de este aparato. Seguir las instrucciones incluidas en el presente manual les protegerá del uso inadecuado. Guardar este manual para tenerlo siempre accesible.

Seguir estrictamente las instrucciones de uso para evitar siniestros.

Atentamente

Amica

IMPORTANTES INSTRUCCIONES DE SEGURIDAD

- El aparato está destinado solamente para uso doméstico.
- El fabricante se reserva el derecho a realizar cambios que no influyan en la forma de funcionamiento del aparato.
- El fabricante no se responsabiliza de los daños que puedan resultar de no seguir las indicaciones incluidas en el presente manual.
- Rogamos guarde este manual que le puede ser útil en el futuro o para transferir al eventual usuario futuro.
- El presente aparato no debe ser usado por personas (incluyendo niños) con capacidad física, sensual o psíquica limitada y por las personas que no tengan experiencia o conocimientos del empleo del aparato con tal de que se encuentren bajo vigilancia o sigan las instrucciones de uso del aparato por la persona responsable de su seguridad.
- Hay que fijarse en que los niños sin tutela no usen ni jueguen con el aparato. No está permitido sentarse ni colgarse en los elementos salientes o puerta.
- El aparato funciona correctamente a la temperatura de ambiente que se da en la tabla con especificaciones técnicas
- Durante el uso, movimiento, elevación no se debe coger de los mandriles de puerta, tirar del condensador en la parte trasera de la nevera o tocar la compresora.
- Antes de todas las actividades de mantenimiento hay que sacar el enchufe de la toma de alimentación. No se debe tirar del cable sino del enchufe.

- Los sonidos que suenan a crujido o chasquidos son ocasionados por la extensión y encogimiento de las partes a consecuencia de los cambios de temperatura.
- Por cuestiones de seguridad no se debe reparar el aparato por su propia cuenta. La realización de reparaciones por las personas que no tengan la adecuada cualificación puede ser seriamente peligrosa para el usuario de aparato.
- Hay que tener cuidado para no dañar el circuito refrigerador, por ejemplo, al picar el agente refrigerador en el evaporador o al romper tubos. El agente refrigerante que puede liberar es inflamable. En caso de que llegue a los ojos enjuagar con mucha agua e inmediatamente llamar al médico.
- ¡Nota! Cuando el cable de alimentación inseparable sufra daño deberá ser reemplazado por el fabricante o reparado por un especialista o por una persona calificada para evitar peligro
- Hay que desconectar completamente el aparato de la alimentación, desenchufándolo para actividades como limpieza, mantenimiento o cambio de posición.
- El dispositivo puede ser empleado por niños de 8 años o mayores, por personas con capacidad física, sensorial o psíquica reducida y por personas que no tengan experiencia o conocimientos del empleo del aparato, en caso de estar vigiladas o cuando hayan sido instruidas sobre el uso del aparato de forma segura y conozcan los peligros relacionados con el uso del aparato. Los niños no deben jugar con el aparato. La limpieza y el mantenimiento del aparato no debe ser realizado por los niños a menos que tengan cumplidos los 8 años y se encuentren bajo vigilancia de persona adecuada.
- No limpie el aparato con vapor.
- Mantenga el aparato y su cable de conexión lejos de los niños menores de 8 años.

- No sumerja el cable de conexión ni la clavija en agua.
- Mantenga el cable lejos de superficies calentadas.
- No permita que el cable de conexión cuelgue del borde de la mesa o la encimera.
- No utilice aparatos eléctricos dentro de la cámara
- No utilice herramientas para acelerar la descongelación
- Limpie con regularidad los orificios de extracción de aire del aparato (en caso de aparatos empotrados o instalados en la encimera)
- Este aparato no fue diseñado para actuar con programadores de tiempo electrónicos ni otros aparatos para cortar la alimentación directamente o de forma remota.
- En caso de derramar un líquido por casualidad en elementos eléctricos, desconecte inmediatamente el aparato de alimentación.
- Debe asegurarse de que durante las actividades de montaje el conducto de alimentación no quede aplastado o dañado.
- Antes de reciclar el aparato debe hacerlo incapaz de ser usado. Es decir, necesita desconectar la alimentación y cortar el cable de alimentación. Para prevenir encerrar niños o animales en el aparato, desmonte la puerta, las bisagras y las cerraduras.

INSTALACIÓN Y CONDICIONES DE TRABAJO DEL APARATO

- Conecte el aparato a la alimentación a las 24 horas desde el momento de desembalarlo y colocar en el lugar de destino.
- Primero, hay que desembalar el producto, eliminar las cintas adhesivas que protegen la puerta y el interior. Los eventuales residuos de cola deben ser eliminados con un agente de limpieza delicado.
- Hay que lavar el interior del frigorífico así como los elementos internos con agua tibia y detergente lavavajillas y, luego, ventilar y secar.
- Hay que situar el frigorífico en un suelo horizontal y estable, en una

habitación seca, ventilada y no expuesta al sol, lejos de las fuentes de calor, tales como la cocina, radiador de calefacción, tubo de calefacción, instalación de agua caliente, etc.

- En las superficies externas del producto puede haber película protectora, hay que eliminarla.
- Hay que garantizar la posición horizontal ajustando las dos patas regulables (Fig. 1).
- Guarde espacio libre a los lados y en la parte trasera del aparato (ver el dibujo de montaje).
- Asegúrese de que la instalación del aparato como empotrado en los muebles no bloquee la rejilla de ventilación que se encuentra en la parte inferior del frigorífico.
- Después del primer inicio del aparato puede aparecer un olor especial. Desaparecerá cuando el aparato se refrigere.
- Con el primer inicio, el compresor del aparato funcionará sin parar hasta el momento de llegar a la temperatura encargada dentro del refrigerador.
- Después de desconectar la alimentación, se recomienda volver a conectarlo al transcurrir al menos 5 minutos. Esto reducirá el riesgo de dañar el compresor.
- En modelos seleccionados la temperatura correcta se visualizará en la pantalla al transcurrir unas horas desde el inicio del frigorífico.
- Hay que conectar el aparato a la red de corriente alterna 220-240V, 50Hz, por medio de la correctamente instalada caja eléctrica, con toma a tierra y protegida con fusible de 10 A.
- La conexión a toma de tierra del aparato es requerida por las leyes. El fabricante renuncia a cualquier responsabilidad a título de los eventuales daños que puedan sufrir las personas u objetos a consecuencia de incumplimiento de la obligación impuesta por estas leyes.
- No se debe usar conectores de adaptación, tomas múltiples (regletas), cables de extensión de dos cables. En caso de que sea necesario emplear un cable de extensión, podrá ser solamente el cable de extensión con toma a tierra que tenga certificado de seguridad de VDE/GS.
- En caso de usar el cable de extensión (con toma a tierra y con marca de seguridad), su toma deberá encontrarse en la distancia segura de lavavajillas y no deberá estar expuesta a agua de entrada o desagüe.
- Hay que garantizar la posibilidad de desconectar el aparato de la red eléctrica, por medio de la desconexión del interruptor bipolar.

Clase climática

La información sobre la clase climática del aparato se encuentra en la tabla nominal. Indica la temperatura de ambiente (es decir, habitación donde funciona) en el que el producto funciona de forma óptima (correctamente).

Clase climática	Temperatura de ambiente permitida
SN	de +10°C a +32°C
N	de +16°C a +32°C
ST	de +16°C a +38°C
T	de +16°C a +43°C

CONSEJOS PRÁCTICOS

- Si la luz dentro el aparato permanece activada se debe recordar que la temperatura dentro del aparato será superior
- La temperatura en el interior depende de la cantidad y del tipo de las botellas con vino almacenadas
- Para garantizar la seguridad de usuario y una alta calidad del vino almacenado, no instale el aparato en habitaciones con humedad
- Almacene botellas de vino en lugares dedicados para ello
- El frigorífico tiene capacidad limitada, no coloque más botellas que la cantidad determinada (Ver la tarjeta de producto)
- No abras la puerta de frigorífico si no es necesario
- No cubra las estanterías con lámina de aluminio ni con otro producto. Esto bloqueará la circulación de aire dentro del aparato
- Para evitar daños de la junta de goma de la puerta, antes de sacar la estantería asegúrese de que la puerta está completamente abierta. Debe introducir las estanterías hasta sentir resistencia, de lo contrario, la estantería podrá deformar la junta de goma, lo cual podrá ocasionar su daño completo.
- No saque las estantería cargadas fuera del límite (más o menos 1/3 del largo de la estantería)
- Este aparato fue diseñado para almacenar botellas con vino, no lo use para otros objetivos
- La estabilidad de temperatura tiene mucha importancia durante el almacenamiento de vino
- La exposición de frigorífico a los rayos solares, grandes cambios de temperatura, alta humedad así como las vibraciones podrán provocar que el vino no sea potable
- En periodos de alta humedad en superficie externas de la puerta de vidrio podrá aparecer vapor condensado. Para prevenirlo, se recomienda instalar el aparato en un lugar seco y ventilado adecuadamente
- Los modelos seleccionados tienen un mango externo, se debe apretarlo por su propia cuenta. No use para ello herramientas eléctricas (fig. 3*).
- La capacidad máxima de frigorífico se encuentra en la tarjeta de producto que acompaña el frigorífico. La capacidad se refiere a las botellas estandarizadas de tipo Bordeaux 0,75l
- Los modelos seleccionados tienen bloqueo contra la caída del aparato. Móntelo según el esquema adjunto (Fig. 6*).

*En función del modelo

DESEMBALAJE

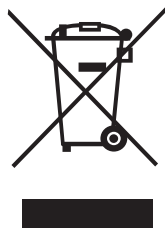


El aparato ha sido asegurado contra daños antes del transporte. Después de desembalar el dispositivo les rogamos eliminen los elementos del embalaje de forma que no sea nociva para el medio ambiente.

Todos los materiales empleados para embalar no son nocivos para el medio ambiente, en un 100% sirven para ser reciclados y llevan símbolos respectivos.

¡Advertencia! Los materiales de embalaje (saquitos de polietileno, trozos de poliuretano, etc.) deben ser guardados lejos del alcance de niños a la hora de desembalar.

ELIMINACIÓN DE APARATOS USADOS



Este aparato está marcado con el símbolo de contenedor para desechos tachado, según la Directiva Europea 2012/19/CE. Dicho símbolo informa que este aparato, pasado el periodo de su uso, no debe ser eliminado junto con los demás desechos proceden-

tes de hogares.

El usuario está obligado a devolverlo a un lugar destinado para recoger el equipo eléctrico y electrónico gastado. Las entidades que realizan la recogida, incluyendo los puntos locales de recogida, tiendas, y entidades municipales, crean un sistema adecuado que permite la devolución de estos aparatos.

El adecuado uso del equipo eléctrico y electrónico gastado ayuda a evitar las consecuencias que son nocivas para humanos y para el medio ambiente procedentes de la presencia de componentes peligrosos e inadecuado almacenamiento y procesamiento de estos dispositivos.

ELEMENTOS DE CONTROL

Elementos de control - una y dos zonas





El panel de control se encuentra en el dibujo 4. También se encuentra abajo:

Una zona



Dos zonas



-  – Botón de alimentación
-  – Botón de iluminación
-  – Tecla "+"
-  – Tecla "-"

Activación / desactivación de alimentación

Para activar el frigorífico para vino apretar y mantener el botón de alimentación durante 1 segundo.

Para desactivar el frigorífico para vino apretar y mantener el botón de alimentación durante 5 segundos.

Cambio de temperatura

- Apretar el botón "+" ó "-" para visualizar la temperatura adecuada en el visualizador.
- La configuración predeterminada de temperatura es de 12°C / 54°F.
- Para cambiar la unidad de temperatura de Fahrenheit a centígrados o al revés, apretar y mantener el botón de iluminación durante 5 segundos.
- Para verificar la temperatura fijada se debe apretar en cualquier momento el botón "+" ó "-", y la temperatura fijada va a parpadear en el visualizador LED durante 5 segundos.
- Cuando el frigorífico para vino está activado, el visualizador indica la temperatura actual del interior.

Selección de temperatura óptima

La mejor temperatura de almacenamiento de vino son 13-15°C, sin embargo, el vino, puede ser almacenado también a la temperatura de servir. Para el vino tinto son 15-17°C y para el blanco 12-13°C.

Iluminación del interior

Si apretamos el botón de iluminación podemos encender y apagar la luz.

Advertencia: La temperatura de la zona inferior debe ser fijada como igual o superior que en la zona superior. Se consigue el trabajo óptimo cuando la diferencia de temperatura de ambas zonas es de, al menos, 4°C.

Humedad en el interior

Algunos modelos de frigoríficos para vino están dotados del sistema de mantenimiento de humedad óptima en el frigorífico. Rellenar con agua el depósito del sistema de humedad hasta 3/4 de su capacidad. Colocar el depósito en carriles, en el estante superior, según el dibujo 2. Colocar el depósito correctamente para que el agua no se derrame. Verificar con regularidad el nivel de agua y cuando sea necesario rellenarlo.

Visualizador de temperatura

El visualizador de temperatura indica la temperatura actual del interior. El visualizador parpadea:

- A la hora de fijar otra temperatura
- Si la diferencia de temperatura del interior es de +/- 5° de la temperatura fijada.

Esto sirve para avisar del daño del contenido de frigorífico si la temperatura crece excesivamente.

Modo de insonorización

Después de conseguir la temperatura requerida el aparato funciona sin el trabajo del ventilador.

El frigorífico para vino tiene fijado el modo predeterminado de insonorización. Para cambiar la configuración en el modo de refrigeración dinámica se debe apretar y mantener el botón "-" durante unos 5 segundos (el botón "-" a la izquierda en los frigoríficos de dos zonas). El frigorífico para vino emitirá señal sonora cinco veces para confirmar la activación de refrigeración dinámica.

Modo de refrigeración dinámica

El ventilador funciona y para alternativamente para mantener la circulación de aire incluso cuando ya ha conseguido la temperatura requerida. Esto garantizará humedad y temperatura permanentes y regulares y creará condiciones ideales para almacenamiento a largo plazo.

El modo de refrigeración dinámica hace aumentar el ruido durante el trabajo del aparato.

Para cambiar la configuración en el modo de insonorización se debe apretar y mantener el botón "+" durante unos 5 segundos (el botón "+" a la izquierda en los frigoríficos de dos zonas). El frigorífico para vino emitirá señal sonora tres veces para confirmar la activación de insonorización.

Modo fin de semana

En este modo se desactiva el visualizador, la iluminación del interior y las señales sonoras. La refrigeración se mantiene permanente. Para activar el Modo fin de semana se debe apretar y mantener durante 5 segundos al mismo tiempo el botón de alimentación e iluminación. El indicador parpadeará cuatro veces y confirmará la activación del modo. El modo se apagará automáticamente a las 96 horas; para desactivar el modo en cualquier momento se debe apretar y mantener al mismo tiempo el botón de alimentación e iluminación durante 5 segundos.

Alarma de Temperatura

Si la temperatura sube o baja por debajo del alcance determinado, se oirá alarma sonora y el visualizador parpadeará. La causa podrá ser:

- El frigorífico no ha alcanzado todavía la temperatura fijada (después de la primera activación).
- Hubo pausa en la alimentación.
- El frigorífico para vino está recargado.
- La puerta no está bien cerrada.

LIMPIEZA Y CONSERVACIÓN

Antes de limpiar y mantener siempre se debe desconectar el aparato de la alimentación.

Retirada de estantes

- Para sacar estante del frigorífico de vino, en primer lugar debe sacar todas las botellas y, luego, tirar el estante hacia adelante hasta que las ranuras a ambos lados del estante se alineen con los bordes a ambos lados de la cámara (según el dibujo 5). Luego, se debe subir el estante hacia arriba y hacia adelante.
- Para introducir el estante se debe hacer lo mismo en orden contrario.

Limpieza

- No usar productos de limpieza abrasivos ni detergentes. Después de lavar, aclarar y secar minuciosamente.
- Lavar la caja de aparato y las juntas de la puerta con el uso de agua con detergente delicado y secar después de lavar.
- Limpiar el interior del aparato con solución de soda en agua templada.
- Lavar los estantes por separado con agua y medio de limpieza. No meter los estantes en el lavavajillas.
- El panel de control y las partes eléctricas deben ser frotados con un trapo húmedo y antes de conectar el aparato a la alimentación se-carlo minuciosamente.
- Después de lavar conectar el aparato a la alimentación.
- Si el aparato no es usado durante más tiempo, desconectar de la alimentación y lavar minuciosamente. Dejar la puerta un poco abierta para prevenir la creación de olor o condensación de agua.

SOLUCIÓN DE PROBLEMAS

En caso de cualquier problema, antes de llamar el servicio, comprobar las indicaciones en cuanto a la solución autónoma de problemas para prevenir visitas innecesarias y costes innecesarios.

Si el aparato no funciona, debe comprobar

- Que la alimentación está conectada al aparato
- Que los fusibles o interruptores protectores de casa funcionan y el fusible del enchufe no ha disparado.
- Que la toma de corriente funciona correctamente. Conectar otro aparato eléctrico para comprobar que la toma de corriente funciona correctamente.
- La temperatura de ambiente debe ser de 16°C a 32°C.

Si el aparato funciona pero no funciona lo suficiente bien se debe comprobar

- Que el aparato no está recargado.
- Que el termóstato tiene fijada la temperatura correcta.
- Que la puerta está cerrada correctamente.
- Que la junta de la puerta se adhiere bien
- Que la ventilación a los lados y en la parte trasera es suficiente.
- La temperatura de ambiente debe ser de 16°C a 32°C.

Si el aparato hace ruido, se debe comprobar

- Que el aparato está bien nivelado y colocado de forma estable.
- El líquido refrigerante de gas hace ruido incluso cuando el compresor no funciona.
- Durante el trabajo de aparato el ventilador puede funcionar incluso cuando el compresor no funciona.

Si la iluminación no funciona, se debe comprobar

- Que la alimentación está conectada al aparato.
- Que los fusibles o interruptores protectores de casa funcionan y el fusible del enchufe no ha disparado.
- Que el botón de iluminación no está en posición apagada.

Advertencia:

La iluminación LED no se puede cambiar sin llamar el servicio

Si la puerta no está cerrada correctamente, se debe comprobar

- Que el aparato está bien nivelado y colocado de forma estable.
- Si la puerta acaba de ser retirada, podía no estar montada correctamente.
- La junta de la puerta está sucia.
- Los estantes no están montados correctamente.

Si en el visualizador ilumina "E1" o "E2"

- Daño del sensor de temperatura. Se debe contactar el servicio

GARANTÍA, ATENCIÓN DE POST VENTA

Garantía

Las prestaciones de garantía según la tarjeta de garantía. El fabricante no se responsabilizará por cualquier daño que resulte del uso inadecuado del producto.



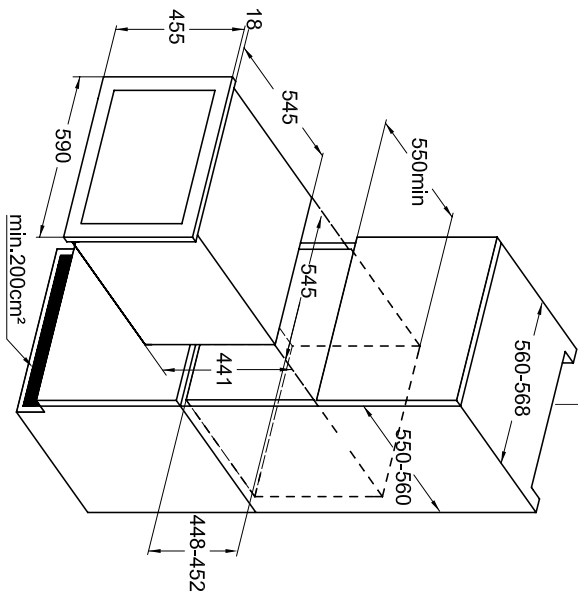
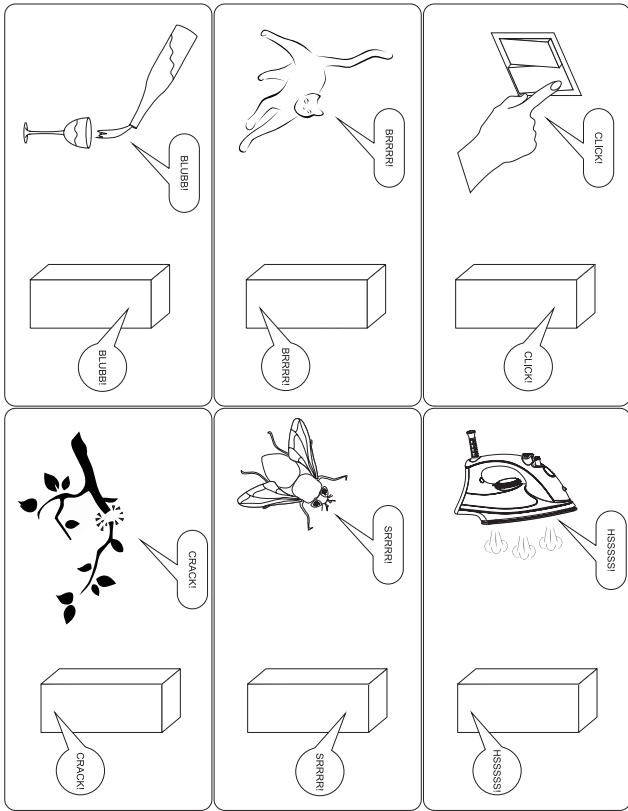
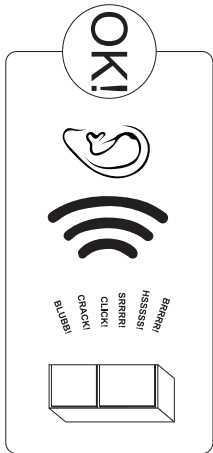
El fabricante de equipo sugiere que todas las reparaciones y ajustes se realicen por el Servicio de Fábrica o Servicio Autorizado de fabricante. Las reparaciones deben ser realizadas solamente por la persona que tiene formación adecuada.

Declaración del fabricante

El fabricante declara con la presente que el producto cumple los requisitos esenciales de las siguientes directivas europeas:

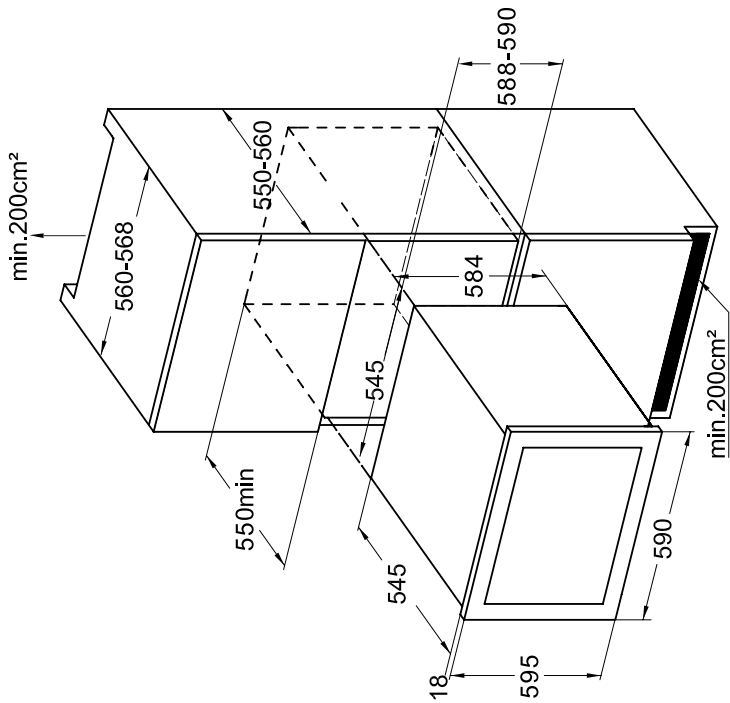
- **directiva de baja tensión 2014/35/EC**
- **directiva de compatibilidad electromagnética 2014/30/EC**
- **directiva de diseño ecológico 2009/125/EC**
- **directiva RoHS 2011/65/EC**

y por lo tanto el producto fue marcado **CE** y tiene declaración de conformidad compartida a las entidades que supervisan el mercado.

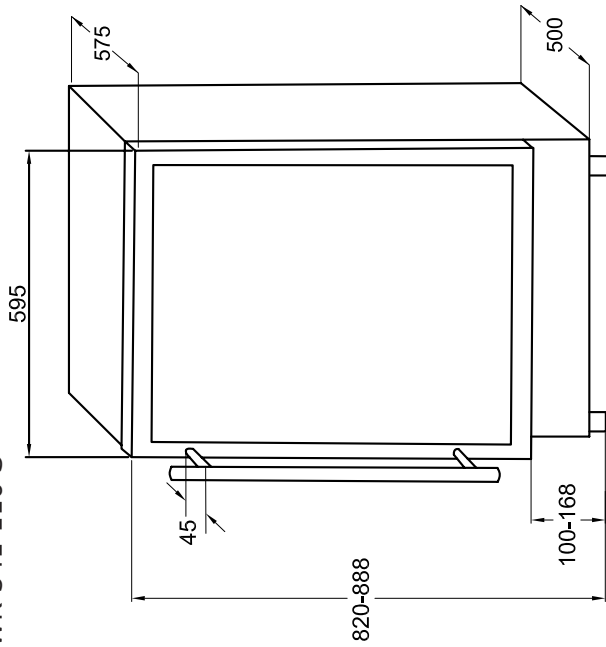


WCB1K54B24.1 / WBA 2455 DB /
WK 341 200 S
min. 200cm²

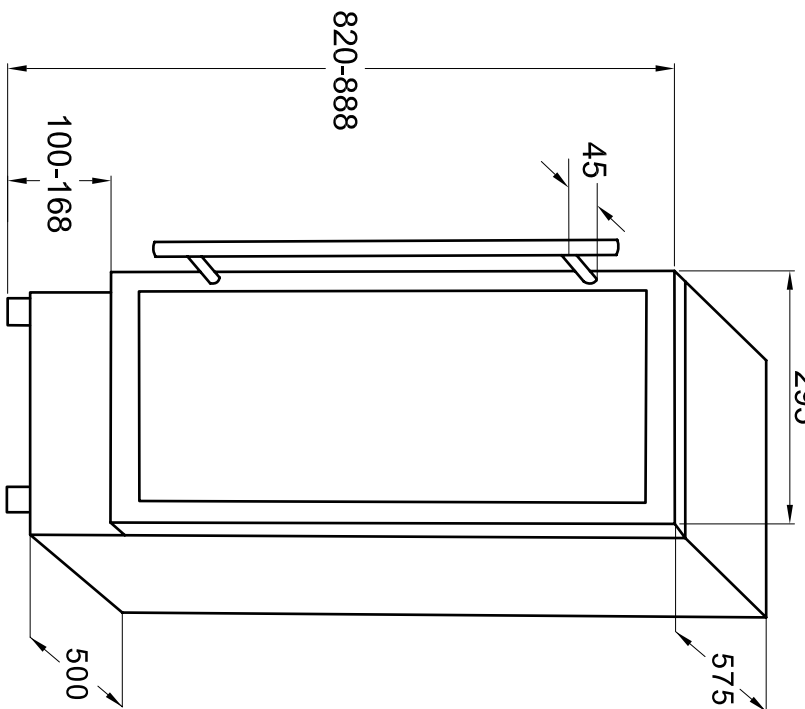
WCB1K60B40.1 / WBA 4060 DB / WK 341 210 S



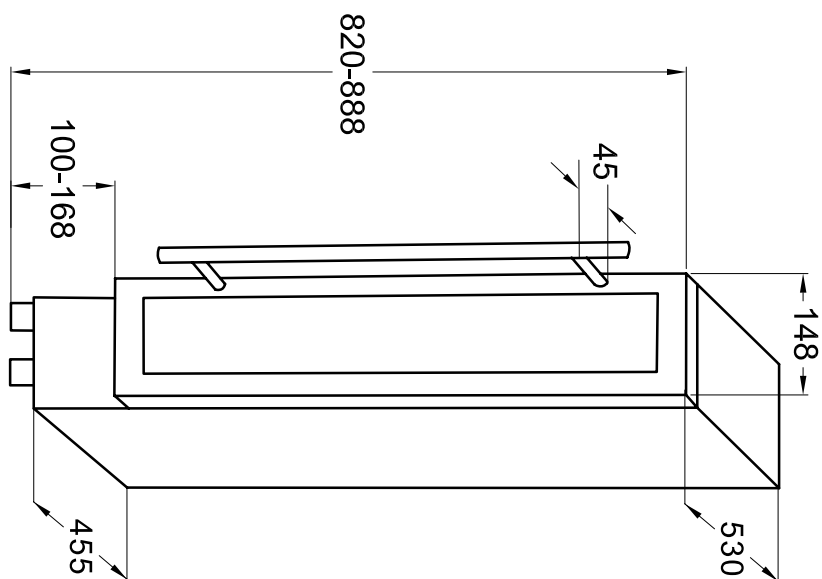
WCU2K60B45.1 / WBB 4660 DZB /
WK 341 110 S

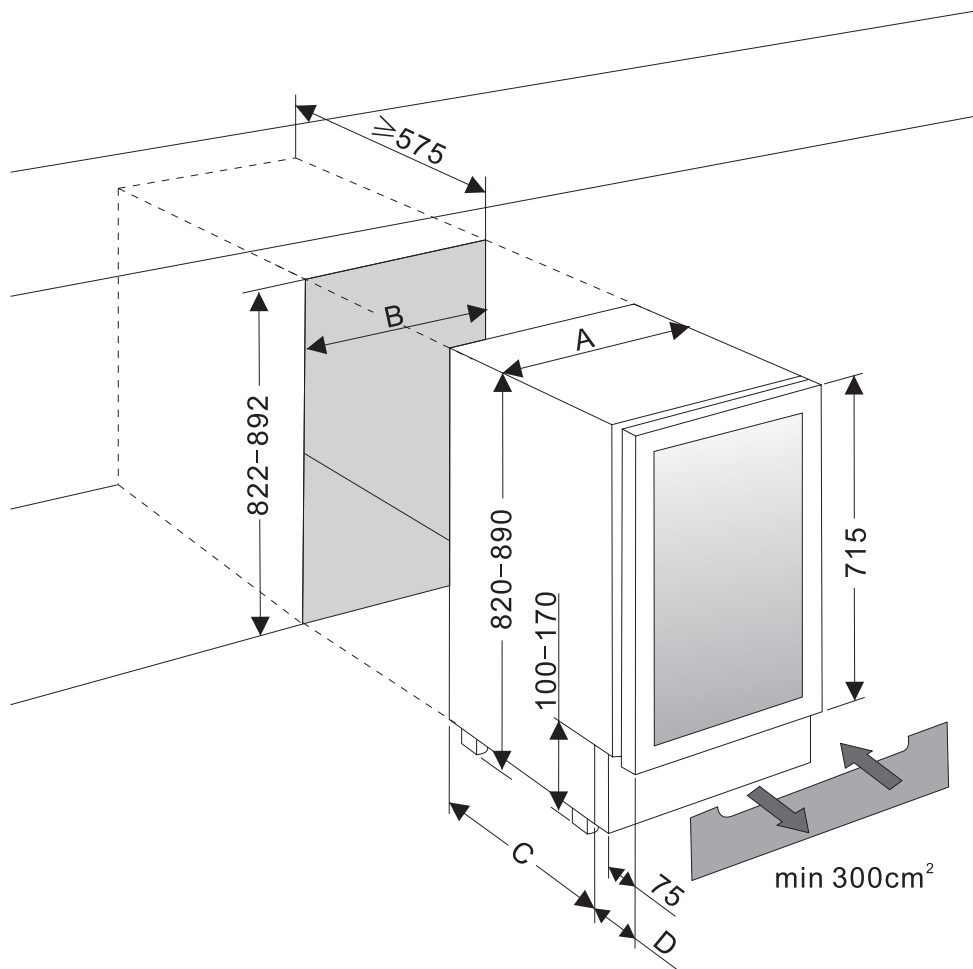


WCF1K30B20.1 / WFBA 2030 DL / WCF1K30S20.1
/ WFBA 2030 DX / WK 341 115 S



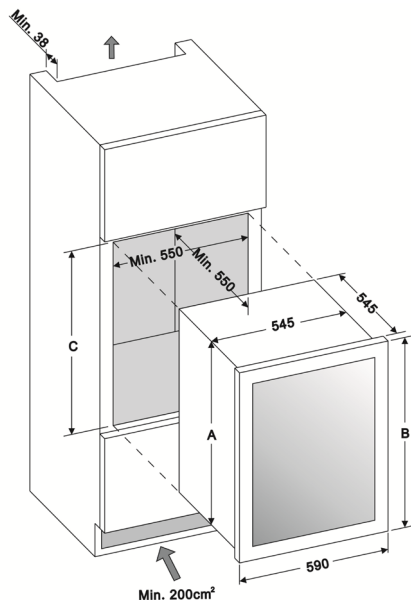
WCF1K15B7.1 / WFBB 715 DB / WCF1K15S7.1
/ WFBB 715 DX / WK 341 100 S





	A [mm]	B [mm]	C [mm]	D [mm]
WCF1K15S7.1 / WFBB 715 DX / WCF1K15B7.1 / WFBB 715 DB / WK 341 100 S	148	150	455	75
WCF1K30S20.1 / WFBA 2030 DX / WCF1K30B20.1 / WFBA 2030 DL / WK 341 115 S	295	300	465	110
WCU2K60B45.1 / WBB 4660 DZB / WK 341 110 S	595	600	465	110

EN- The base under the wine cooler must be cut as instructed / DE- Der Kühlschranksockel muss passend ausgeschnitten werden / CS- Podstavec pod chladničkou vhodně ořezejte / SK- Sokel pod vínotékou náležitým spôsobom vyrežte / FR- Le socle sous le refroidisseur doit être découpé d'une manière appropriée / PL- Cokoł pod chłodziarką należy wyciąć w odpowiedni sposób / ES- La base por debajo del frigorífico debe ser cortada de manera adecuada / SL - Podstavec pod hladilnikom mora biti pravilno izrezan



	A [mm]	B [mm]	C [mm]
WCB1K54B24.1 / WBA 2455 DB / WK 341 200 S	448	455	455
WCB1K60B40.1 / WBA 4060 DB / WK 341 210 S	588	595	590
WCB2K60B36.1	584	595	590

EN:

- Since the appliance will be built into a furniture unit, before installing the appliance, prepare a ventilation duct behind the appliance running from the floor to the top of the furniture unit. Ensure there is free space between the back of the appliance and the wall, which is not blocked by furniture. The area of ventilation grille should be at least 200 cm²
- Note: The appliance height does not include the screw-in feet. The device is installed without feet.
- To ensure correct appliance operation never cover any ventilation openings. Regularly clean the ventilation grille.

DE:

- Wird das Gerät vollständig eingebaut, muss vor der Installation ein Lüftungskanal hinter dem Gerät vom Fußboden bis zur Oberseite des Möbels vorbereitet werden. Zwischen der Wand des Raumes und der Hinterwand des Geräts sollte sich keine Möbelwand befinden (es muss ein Freiraum bleiben). Das Lüftungsgitter sollte eine Größe von mindestens 200 cm² haben.
- Hinweis: Bei der Höhenangabe des Geräts wurde die Anwendung ausschraubbarer Füße nicht berücksichtigt. Das Gerät wird ohne Füße installiert.
- Um die ordnungsgemäße Funktion des Geräts zu gewährleisten, ist darauf zu achten, dass die Lüftungsöffnungen nie verdeckt werden. Das Lüftungsgitter muss regelmäßig gereinigt werden.

CS:

- Z důvodu úplného zabudování proveďte před umístěním chladničky větrací kanál vedoucí za zařízením od podlahy po vršek nábytku. Mezi stěnou místnosti a zařízením nesmí být nábytková stěna (nechte volný prostor). Větrací mřížka musí mít alespoň 200 cm²
- Upozornění: Rozměr výšky zařízení nezohledňuje použití šroubovatelných nožek. Zařízení je nainstalováno bez nožek
- Aby bylo zajištěno správné fungování zařízení, nikdy nezakrývejte větrací otvory. Pravidelně čistěte větrací mřížku.

SK:

- Vzhľadom na úplne zabudovanie zariadenia, pred montážou pripravte vetrací kanál prebiehajúci od podlahy za zariadením s vývodom na vrchu nábytku. Medzi stenou miestnosti a zariadením nesmie byť žiadna nábytková doska (musí byť ponechaný voľný priestor). Vetracia mriežka musí mať plochu minimálne 200 cm².
- Pozor: Rozmer týkajúci sa výšky zariadenia nezohľadňuje použitie odmontovateľných pätiiek. Zariadenie je namontované bez pätiiek.
- Aby zariadenie správne fungovalo, vetracie prieduchy nesmú byť nikdy zablokované či zakryté. Vetraciu mriežku pravidelne čistite.

FR:

- Étant donné l'encastrement complet de l'appareil, avant l'installation, prévoir un conduit de ventilation allant du sol, derrière l'appareil jusqu'à la partie supérieure du meuble. L'appareil ne peut pas être séparé du mur de la pièce par une paroi de meuble (garder un espace libre). La grille d'aération doit être d'au moins 200cm²
- Attention : Les dimensions de la hauteur de l'appareil sont calculées sans les pieds amovibles. L'appareil est installé sans pieds
- Pour assurer le fonctionnement correct de l'appareil, ne jamais couvrir les orifices d'aération. Nettoyer régulièrement la grille d'aération.

PL:

- Z powodu całkowitej zabudowy urządzenia, przed instalacją, należy przygotować kanał wentylacyjny biegnący od posadzki, za urządzeniem, aż do samego szczytu mebla. Pomiędzy ścianą pomieszczenia w urządzeniem nie powinno być ścianki meblowej (należy zachować wolną przestrzeń). Kratka wentylacyjna powinna mieć co najmniej 200cm²
- Uwaga: Wymiar dotyczący wysokości urządzenia nie uwzględnia zastosowania wykręcanych nóżek. Urządzenie jest zainstalowane bez nóżek
- Zby zapewnić poprawność funkcjonowania urządzenia, otwory wentylacyjne nigdy nie powinny zostać zakrywane. Należy regularnie czyścić kratkę wentylacyjną.

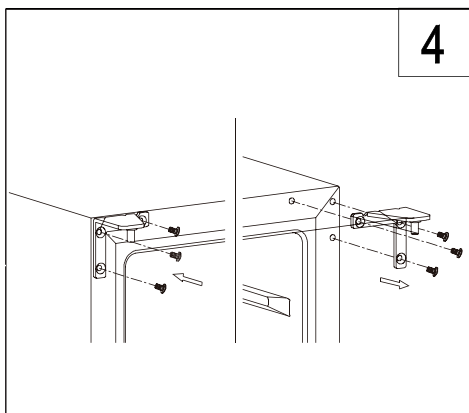
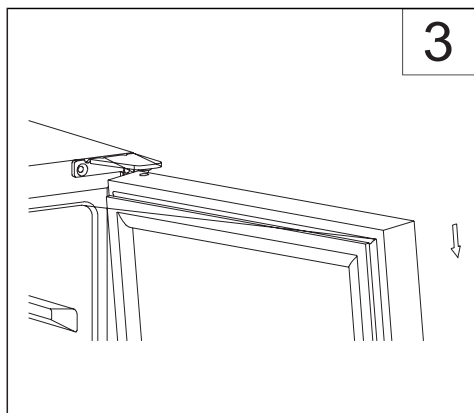
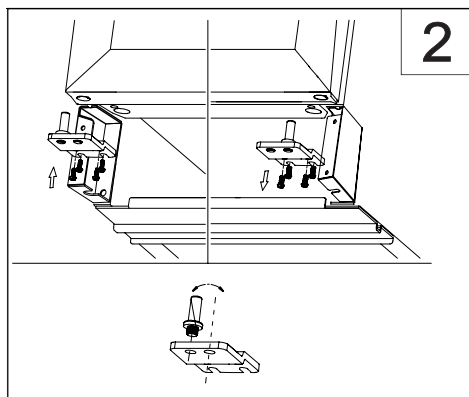
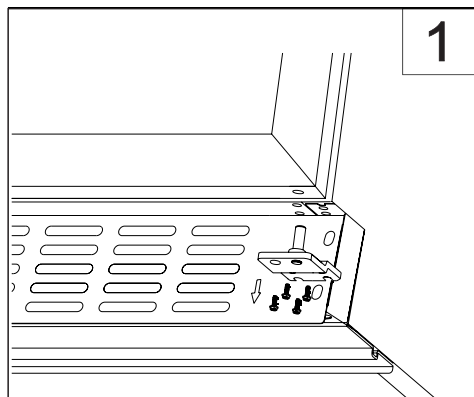
ES:

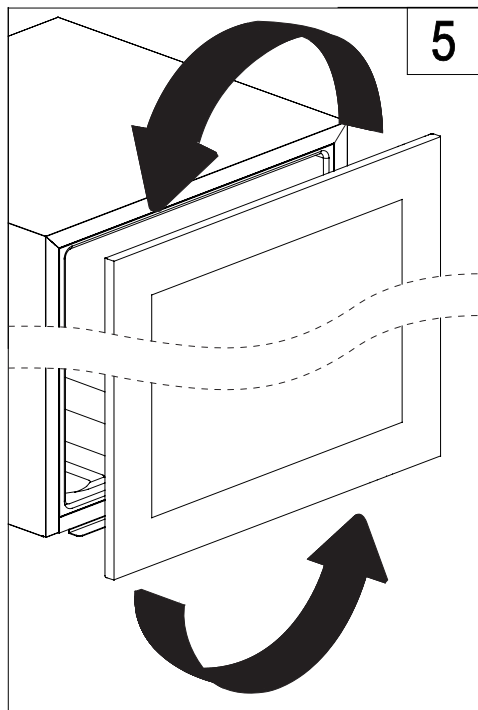
- Por causa de la instalación completa de aparato, antes de la instalación, se debe preparar el canal de ventilación que pasa desde el suelo, detrás del aparato, hasta el mismo tope de mueble. Entre la pared de la habitación y del aparato no debe haber pared de mueble (se debe guardar espacio libre). La rejilla de ventilación debe tener al menos 200cm²
- Advertencia: El tamaño que se refiere al alto de aparato no tiene en cuenta la aplicación de patas desenroscadas. El aparato está instalado sin patas
- Para garantizar la corrección de funcionamiento de aparato, los orificios de ventilación no debe estar cubiertos. Se debe limpiar la rejilla de ventilación con regularidad.

SL:

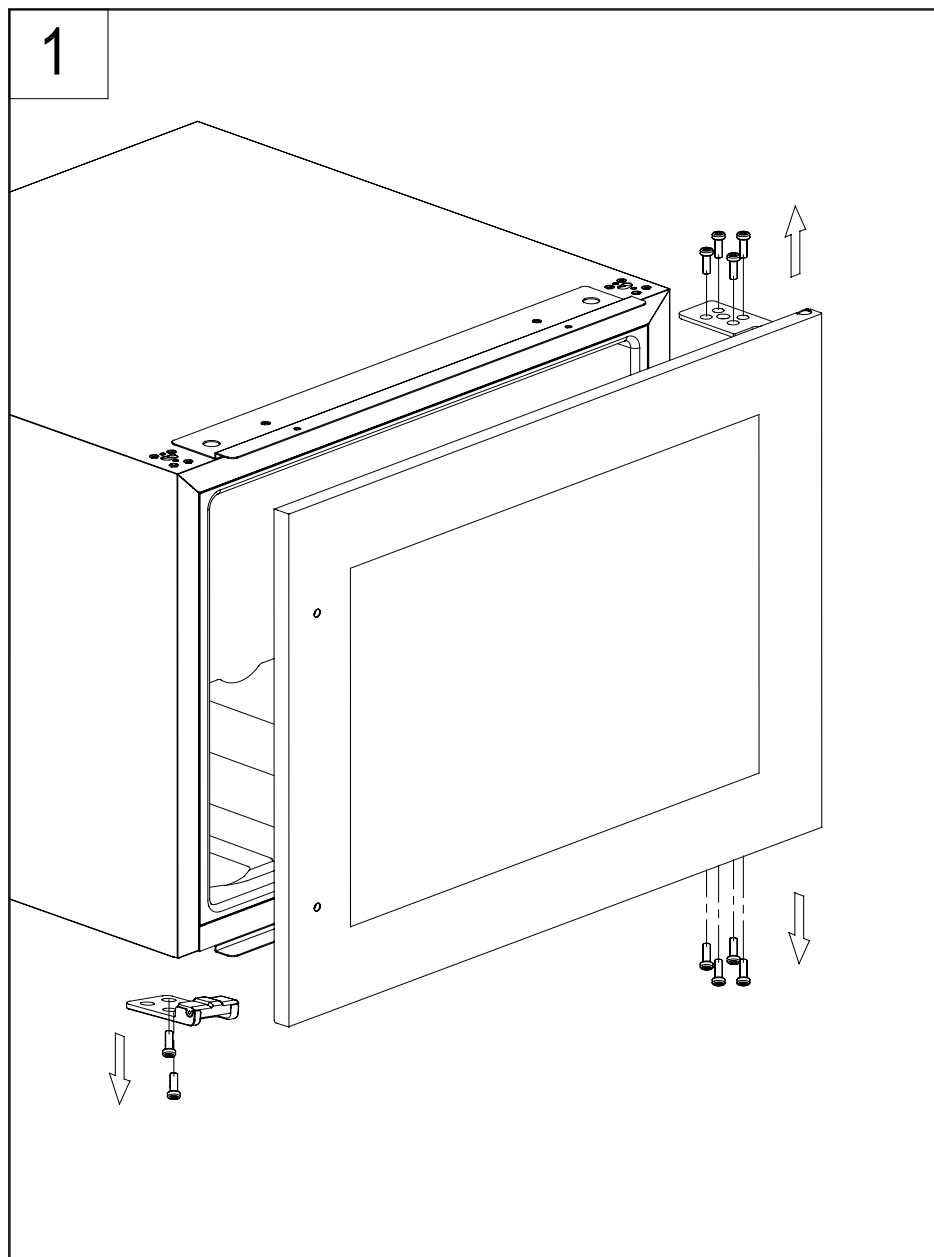
- Zaradi popolne vgradnje naprave je treba pred namestitvijo pripraviti prezračevalni kanal od tal, za napravo, vse do vrha pohištva. Med steno prostora in napravo ne sme biti pohištvene stene (treba je ohraniti prost prostor). Prezračevalna rešetka mora imeti vsaj 200cm²
- Pozor: Višinska dimenzija naprave ne vključuje uporabe vijačnih nog. Naprava je nameščene brez nog
- Če želite zagotoviti popolno delovanje naprave, prezračevalne odprtine ne smejo biti nikoli zakrite. Prezračevalno rešetko je potrebno redno čistiti.

EN- CHANGING THE DIRECTION OF THE DOOR OPENING / DE- WECHSEL DES TÜRANSCHLAGS / CS- ZMĚNA SMĚRU OTEVÍRÁNÍ DVÍŘEK / SK- ZMENA SMERU OTVÁRANIA DVIEROK / FR- INVERSION DE SENS D'OUVERTURE DE PORTE / PL- ZMIANA KIERUNKU OTWIERANIA DRZWI / ES- CAMBIO DEL SENTIDO DE APERTURA DE PUERTA / SL- SPREMEMBA SMERI ODPIRANJA VRAT

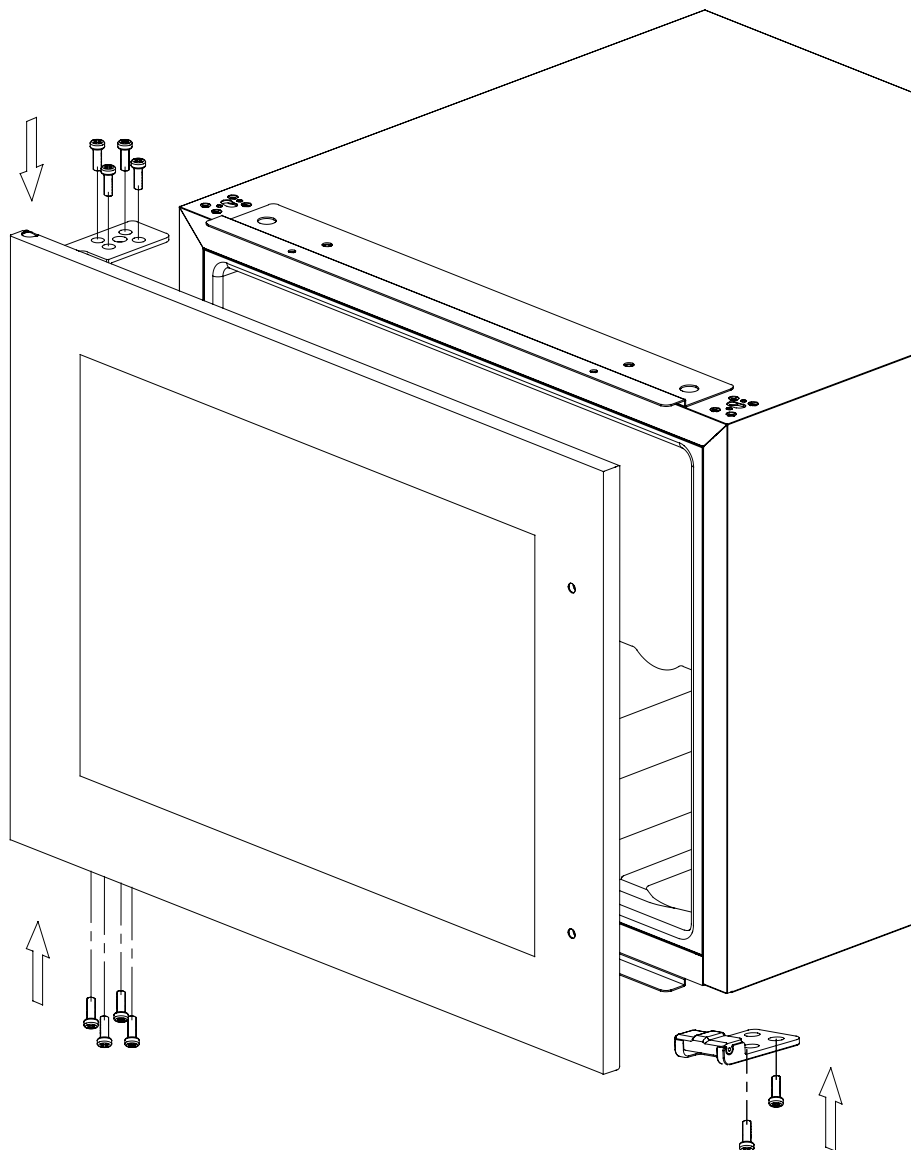


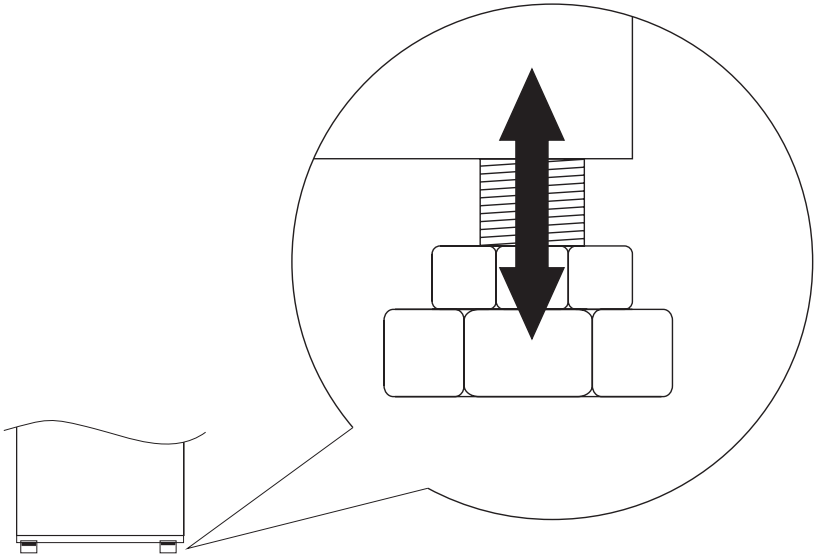


EN- CHANGING THE DIRECTION OF THE DOOR OPENING / DE- WECHSEL DES TÜRANSCHLAGS / CS- ZMĚNA SMĚRU OTEVÍRÁNÍ DVÍŘEK / SK- ZMENA SMERU OTVÁRANIA DVIEROK / FR- INVERSION DE SENS D'OUVERTURE DE PORTE / PL- ZMIANA KIERUNKU OTWIERANIA DRZWI / ES- CAMBIO DEL SENTIDO DE APERTURA DE PUERTA / SL- SPREMEMBA SMERI ODPIRANJA VRAT

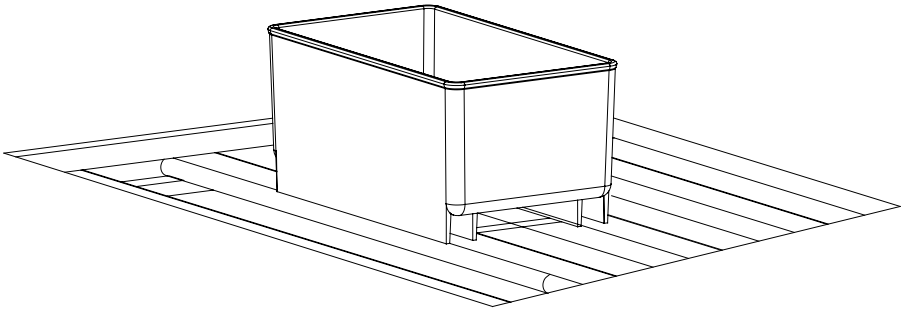


2



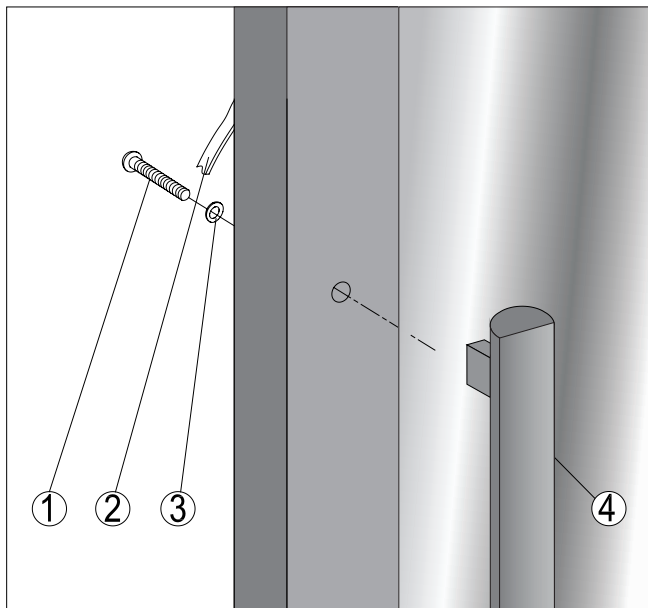


1

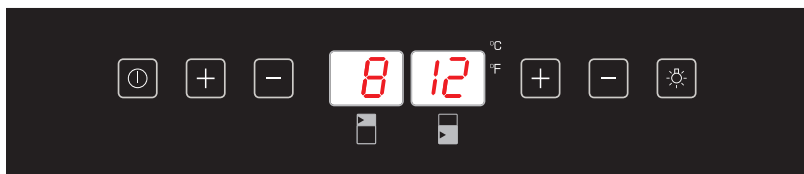


2

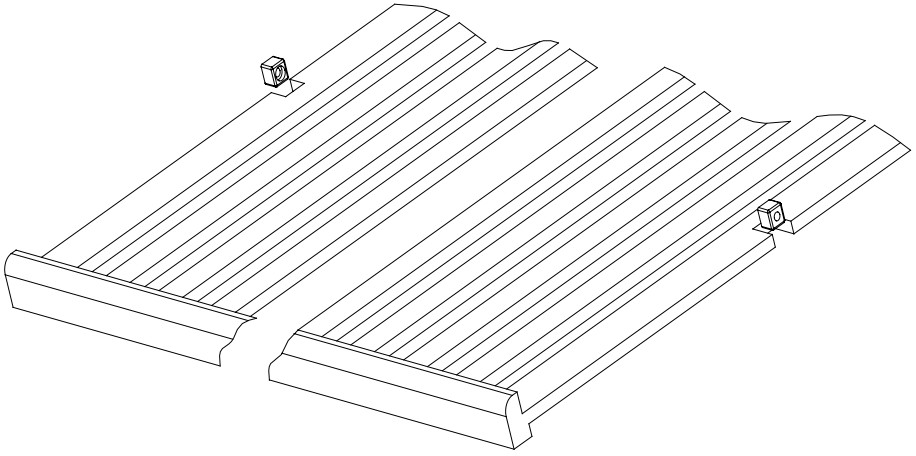




3



4



5

Amica S.A.
ul . Mickiewicza 52 / 64-510 Wronki
tel. 67 25 46 100 / fax 67 25 40 320
www.amica.pl

Amica International GmbH
Lüdinghauser Str. 52
D-59387 Ascheberg
Tel: 0 25 93 - 95 67-0
www.amica-group.de