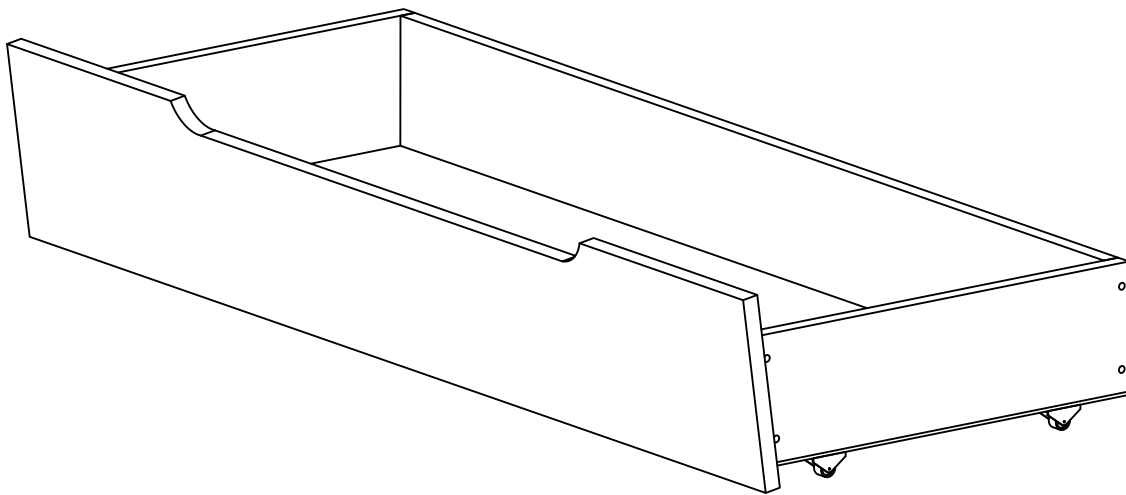







# DRAWER RUSA

50-893-19

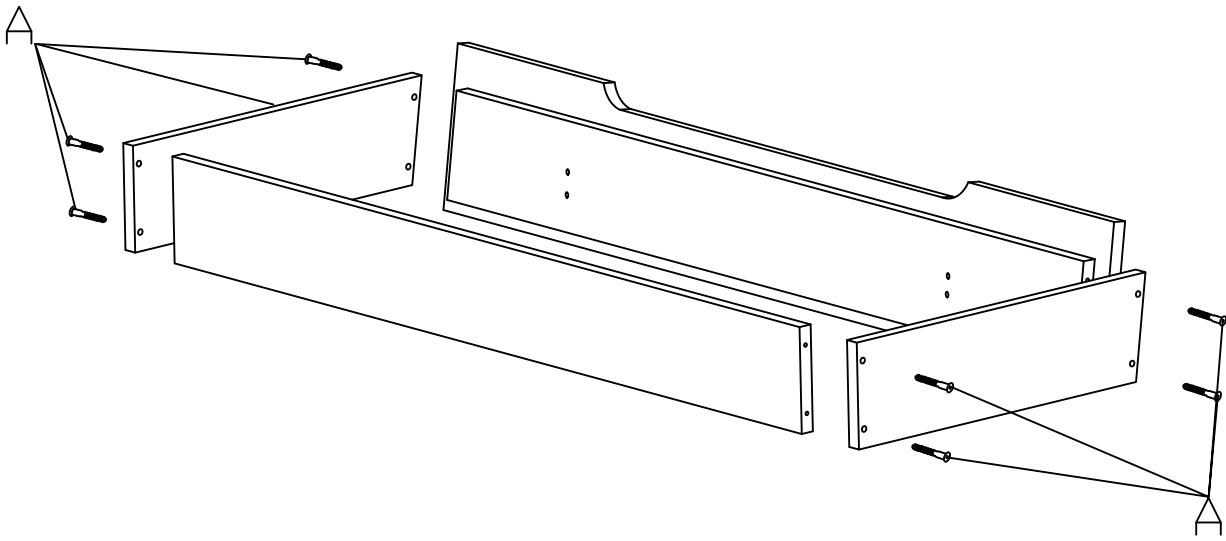


15 Minutes



7x50	3,5x30	KB 25	3,5x16	SW 4
				
Ax8	Bx20	Cx4	Dx8	

1.



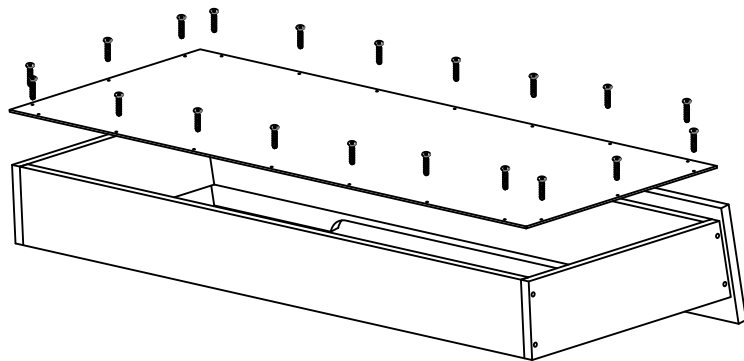
7x50

SW 4



Ax8

2.

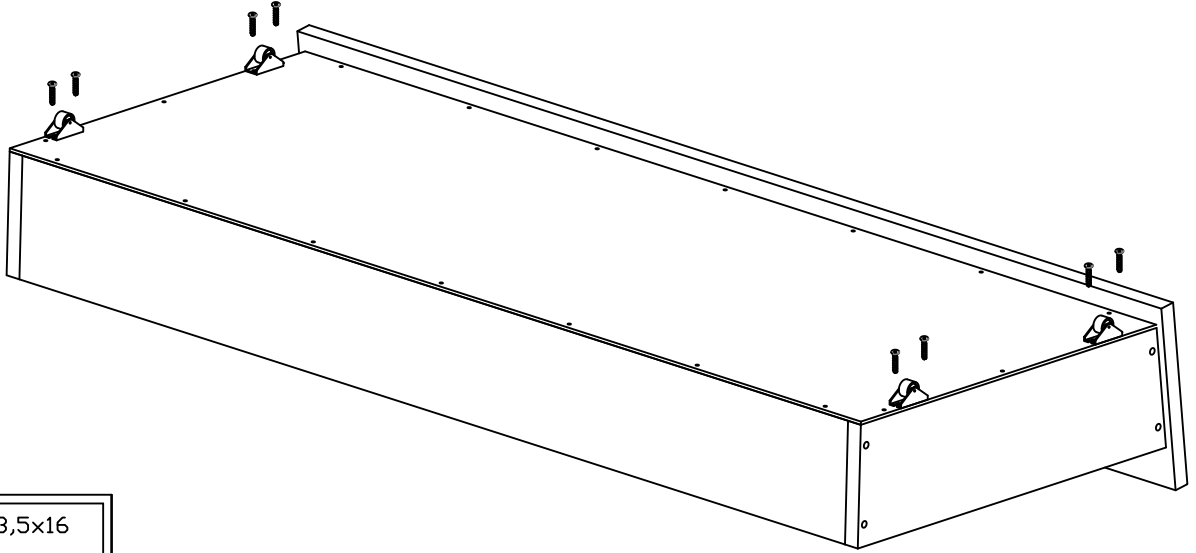




3,5x30



Bx20

3.



KB 25	3,5x16
	
Cx4	Dx8

4.