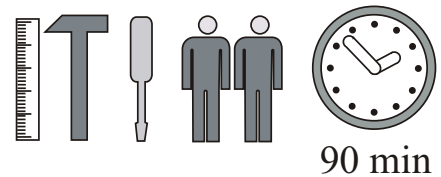
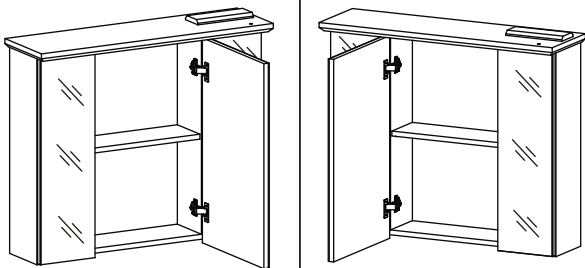
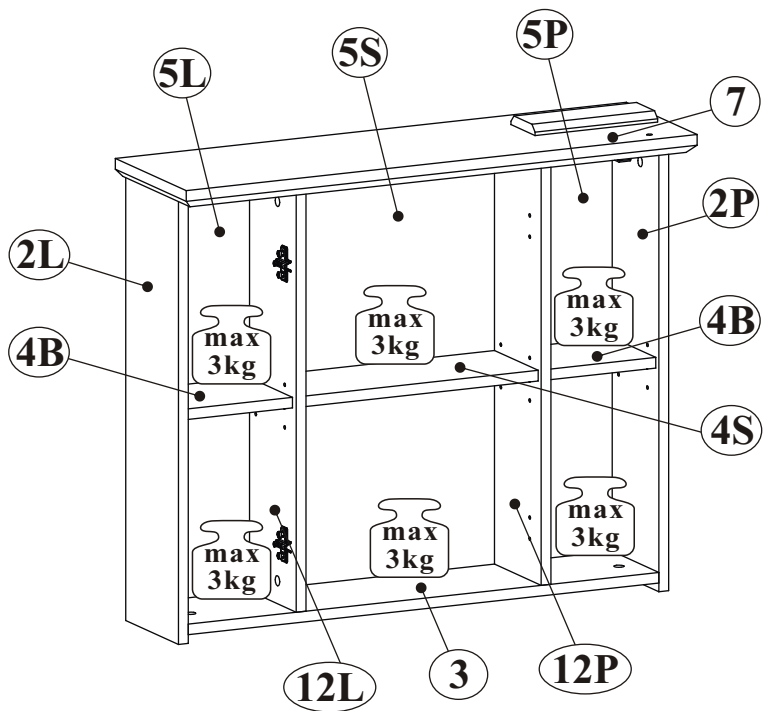
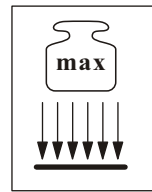
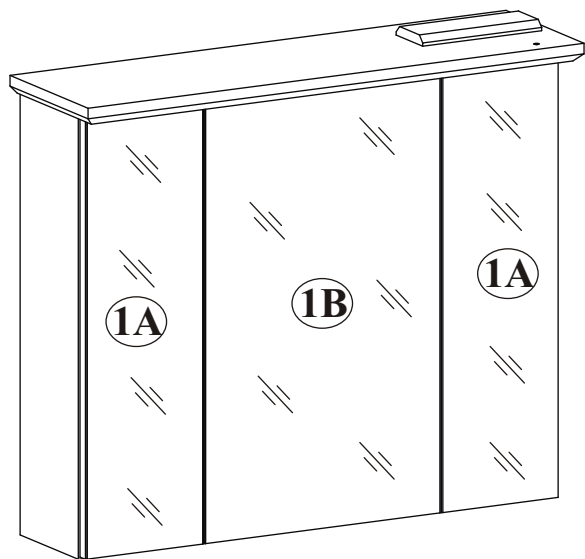
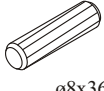
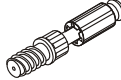


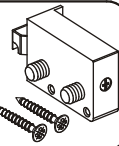
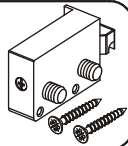
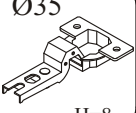
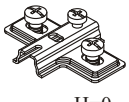

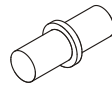

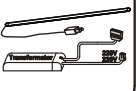
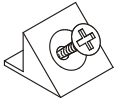
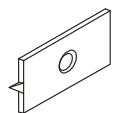


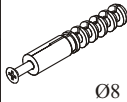

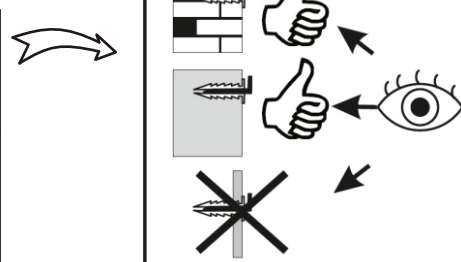
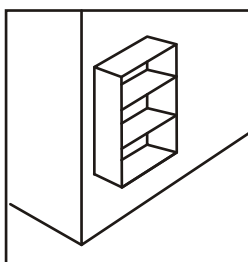
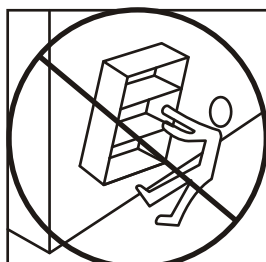
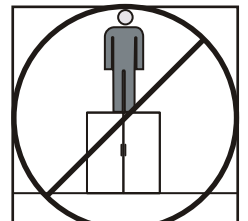
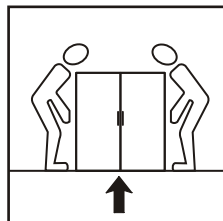
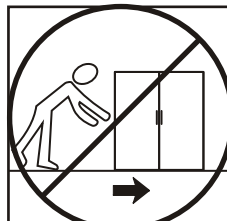
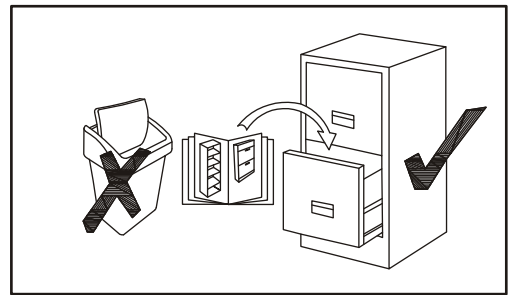
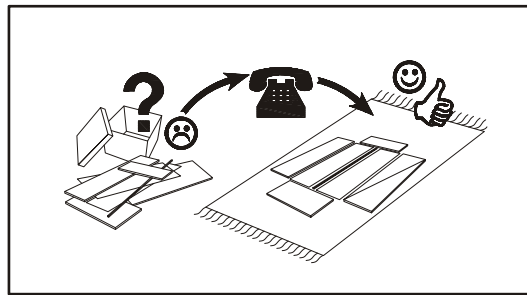
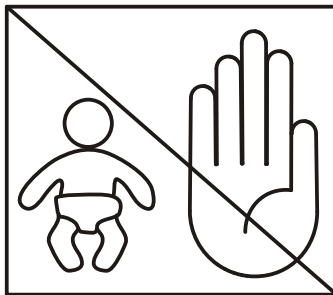
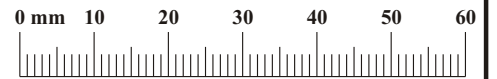


# TOSKANA 54-648-\_\_

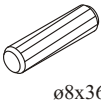

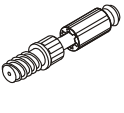
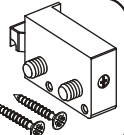
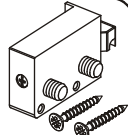
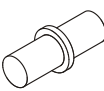


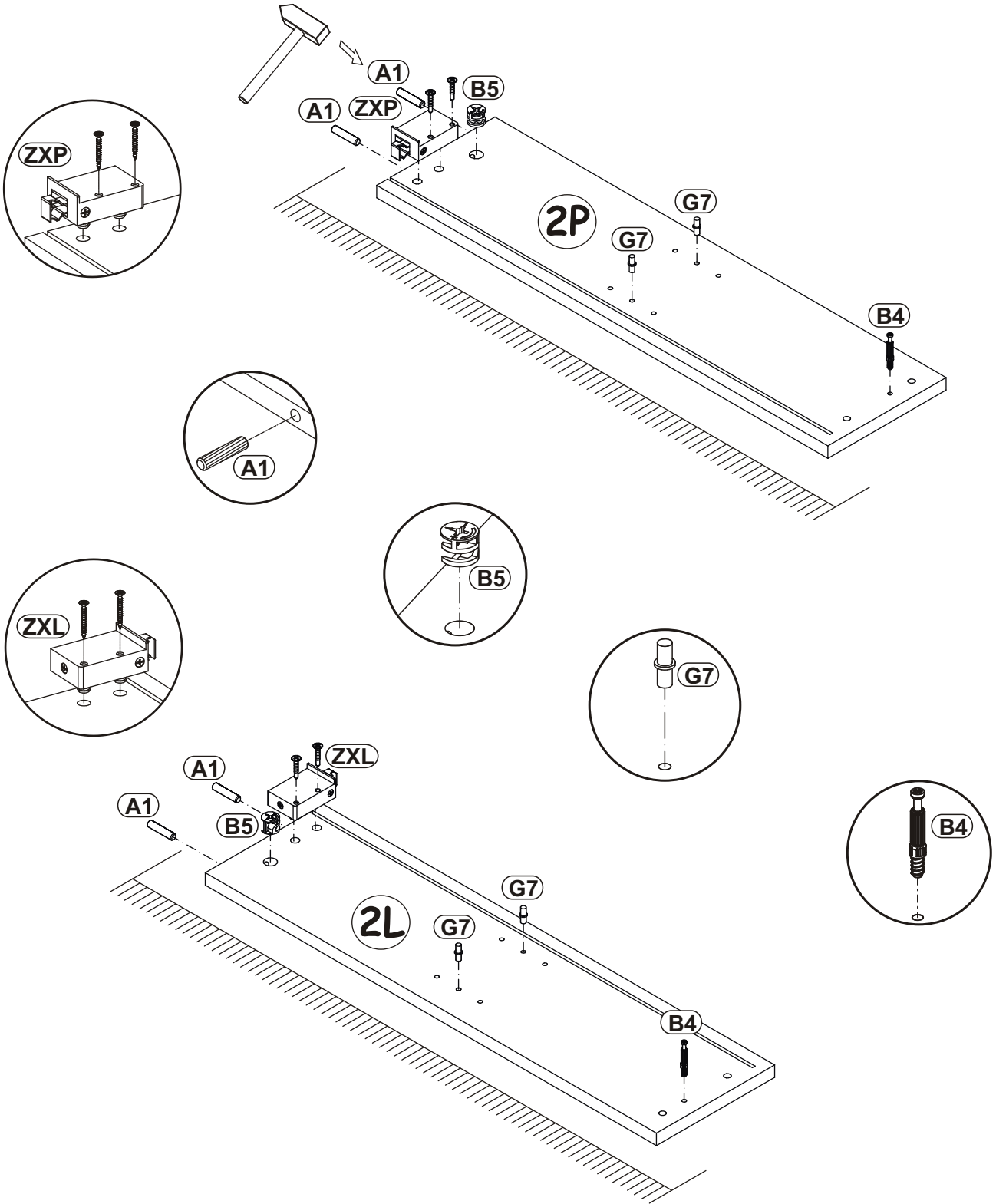
NO	Dim.			Col.-No	Qty
1A	662	196	19	1	2
1B	662	396	19	1	1
2L	668	175	16	1	1
2P	668	175	16	1	1
12L	639	155	16	1	1
12P	639	155	16	1	1
3	768	175	16	1	1
4S	384	145	16	1	1
4B	175	145	16	1	2
5L	651	190	3	1	1
5P	651	190	3	1	1
5S	651	400	3	1	1
7	834	235	28	1	1

A1 x16  ø8x36	B4 x8 	B5 x8  ø15x12	G5 x8 	ZXL x1 	ZXP x1 
E23 x6 Ø35 H=8 	E2 x6 H=0 	D10 x12 USØ3,5x13 	G7 x12 	Z2 x4 Ø5 	LT1 x1 
S1 x14 	G16 x8 	UP13 x8 UPØ3x16 	SZ7 x2 	KR1 x4 Ø8 	G2 x1 

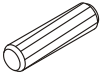


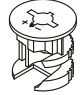
1

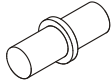
A1 x4	 ø8x36	B5 x2	 ø15x12	B4 x2	
ZXL x1		ZXP x1		G7 x4	

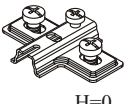


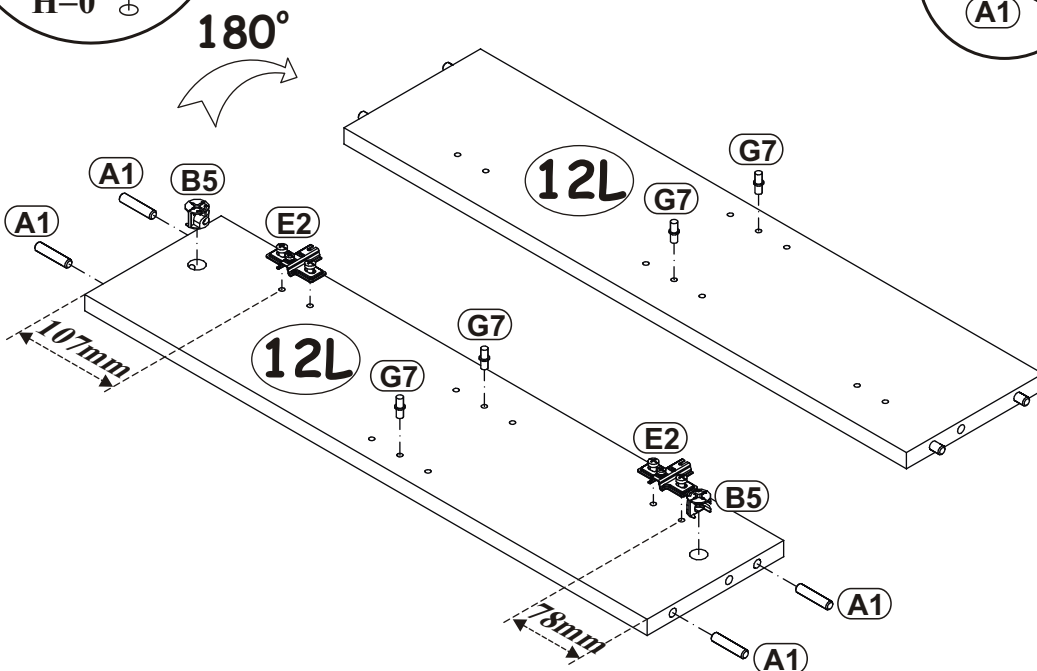
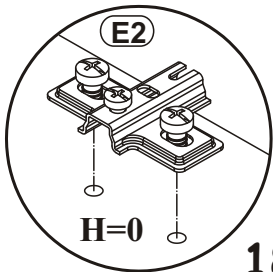
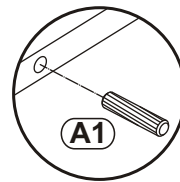
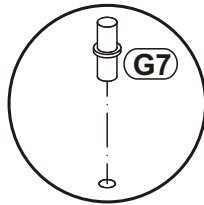
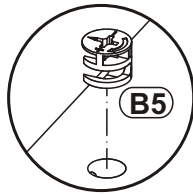
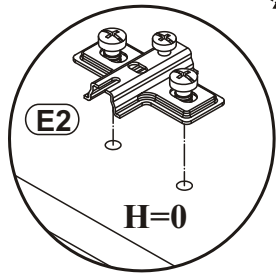
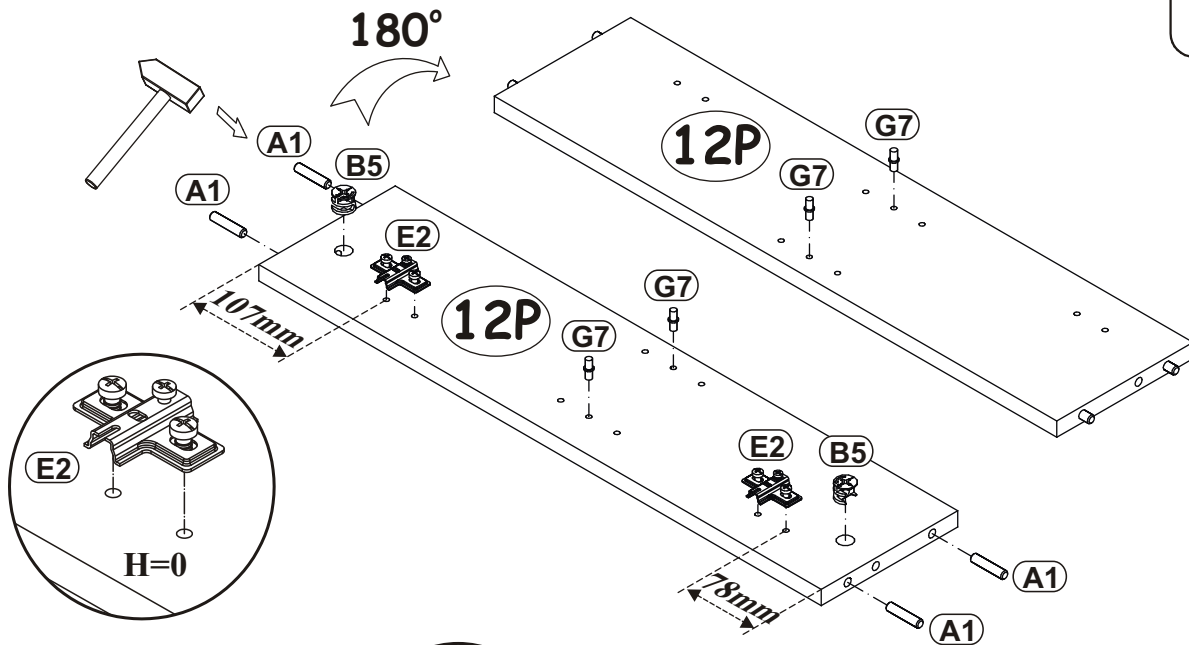
2

A1	
x8	ø8x36

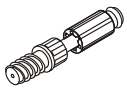
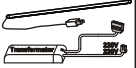
B5	
x4	ø15x12

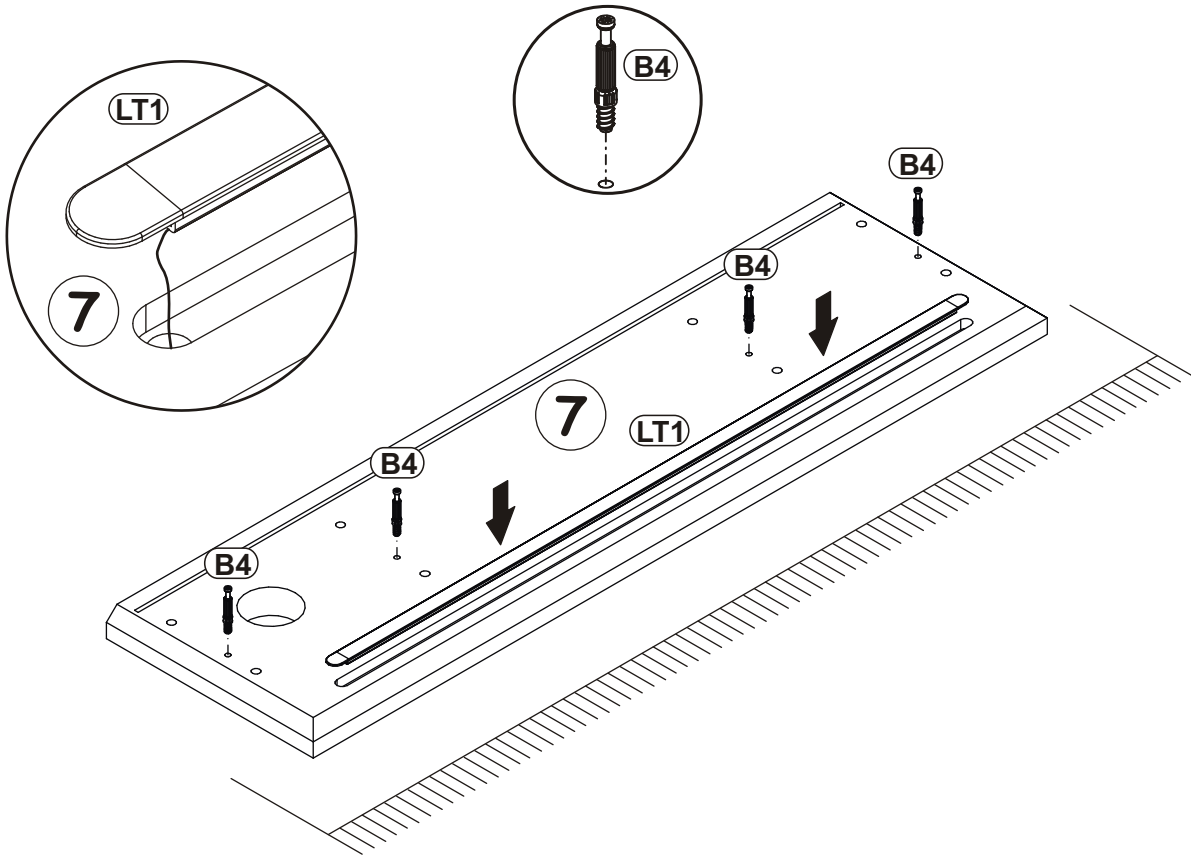
G7	
x8	

E2	
x4	H=0

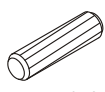
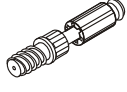



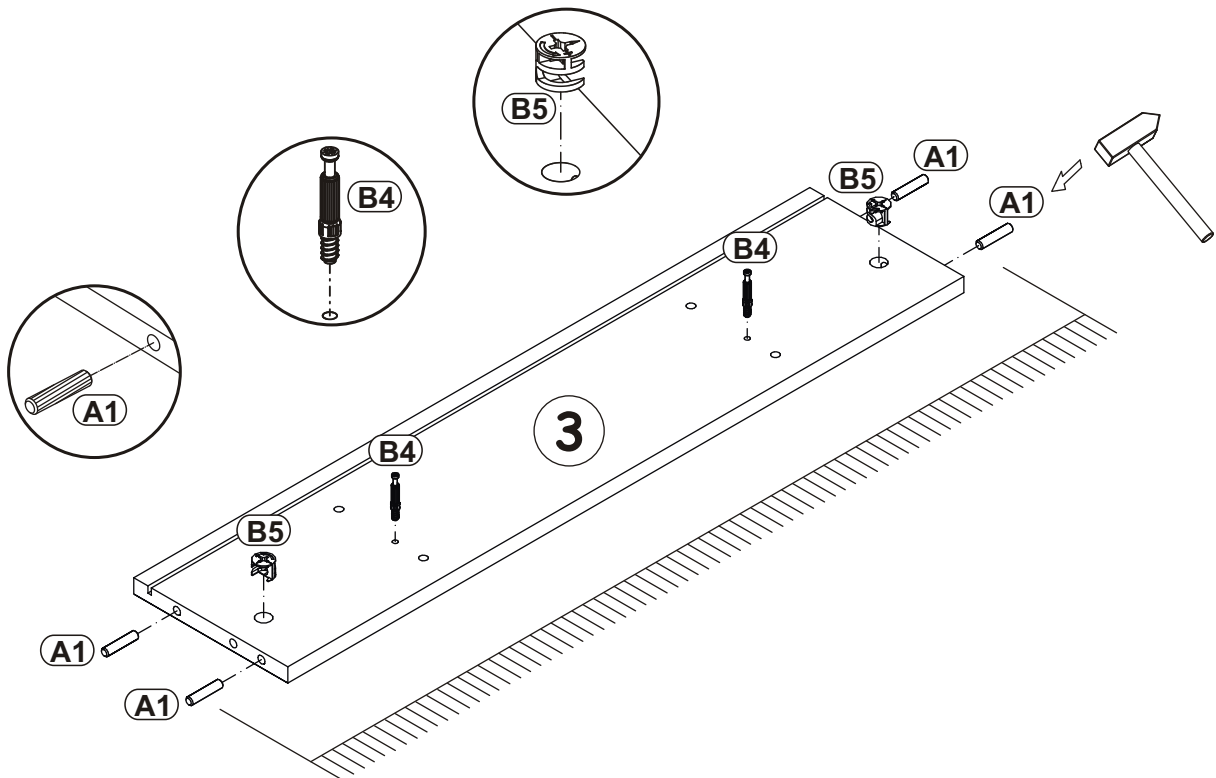
3

B4		LT1	
x4		x1	





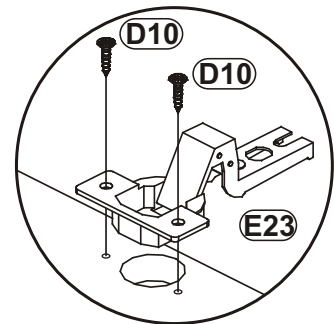
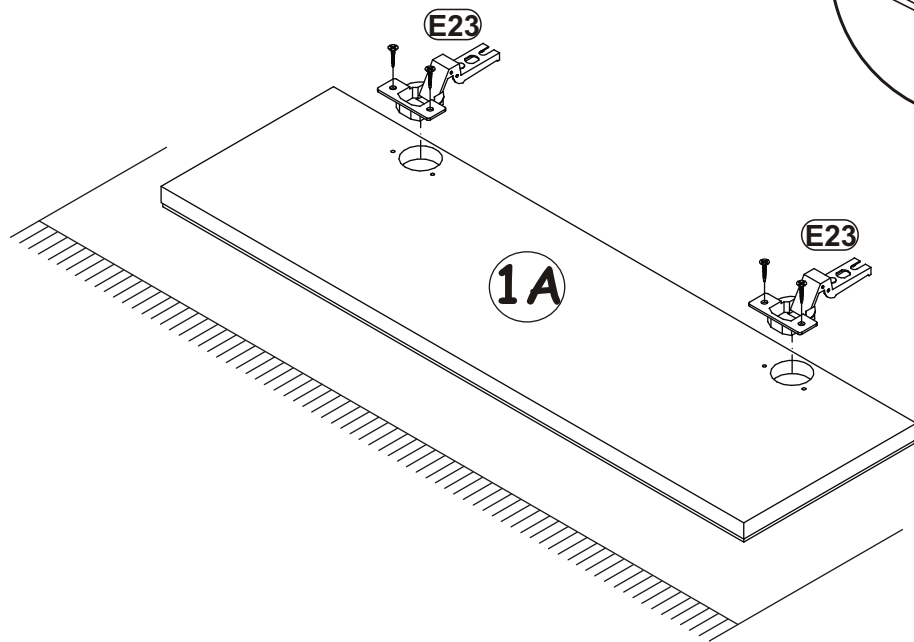
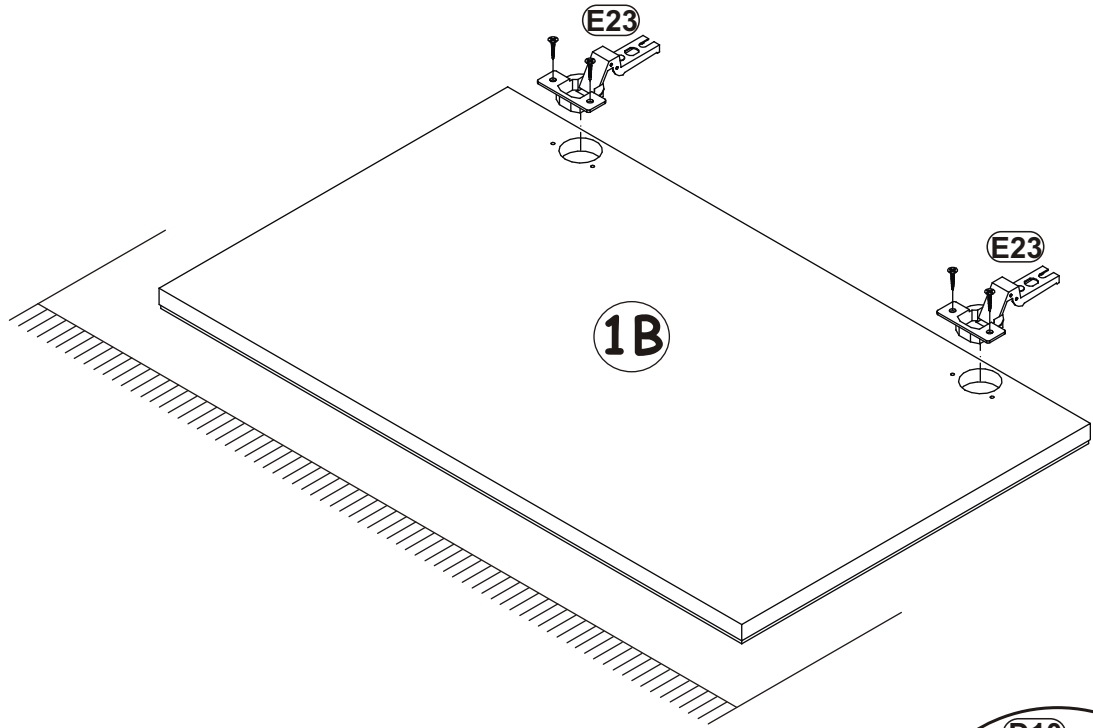
4

A1		B4		B5	
x4	ø8x36	x2		x2	ø15x12

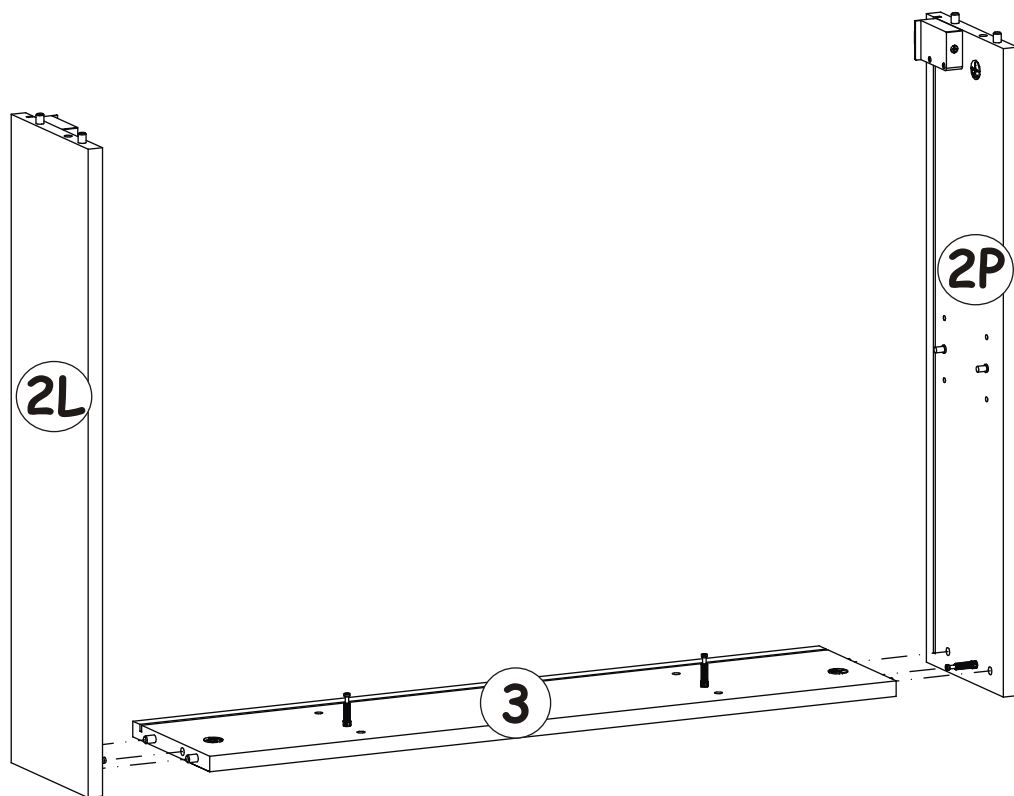



5

E23	Ø35  H=8	D10	 USØ3,5x13
x6		x12	

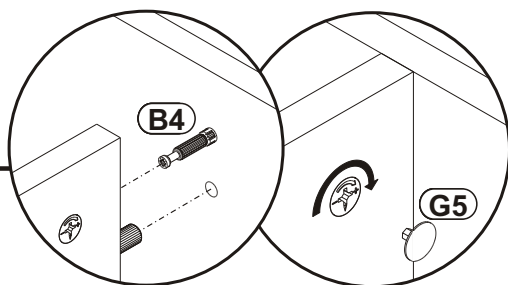



6

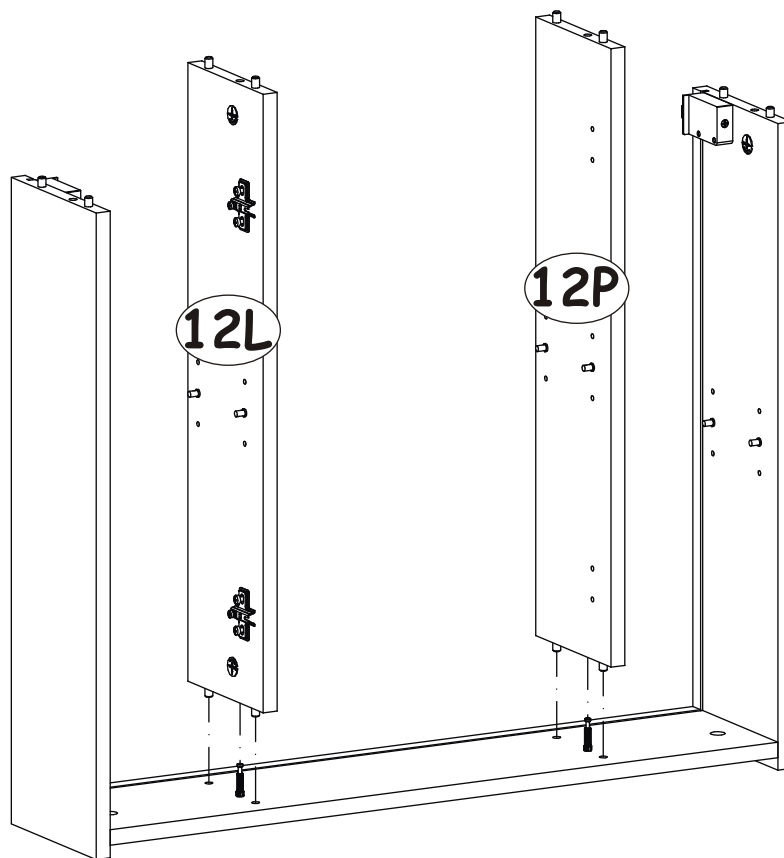


G5	
x2	

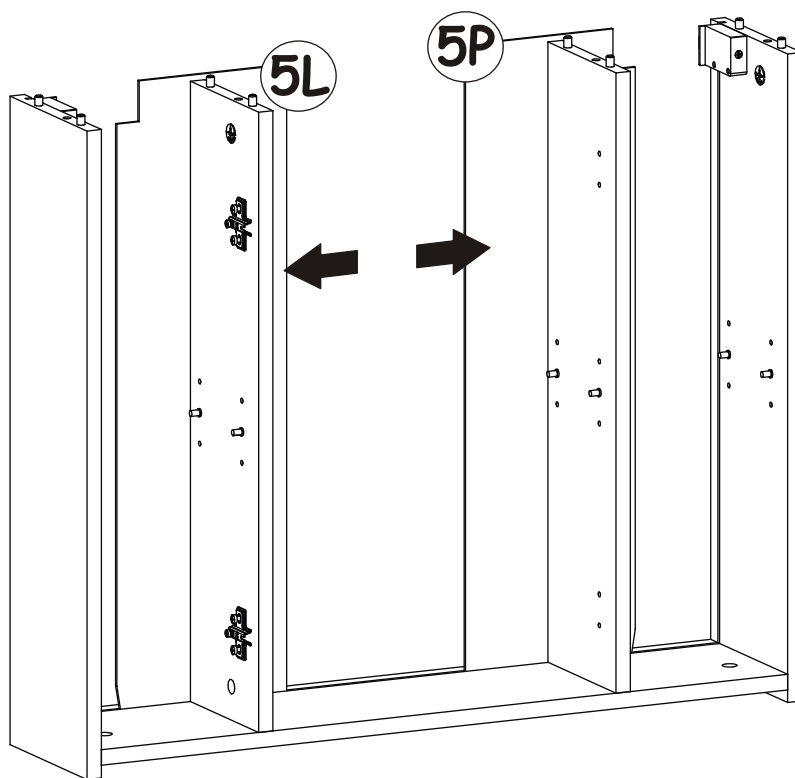
7



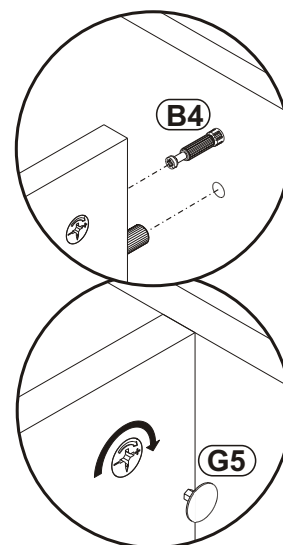
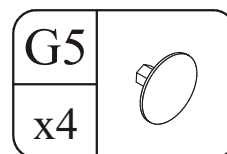
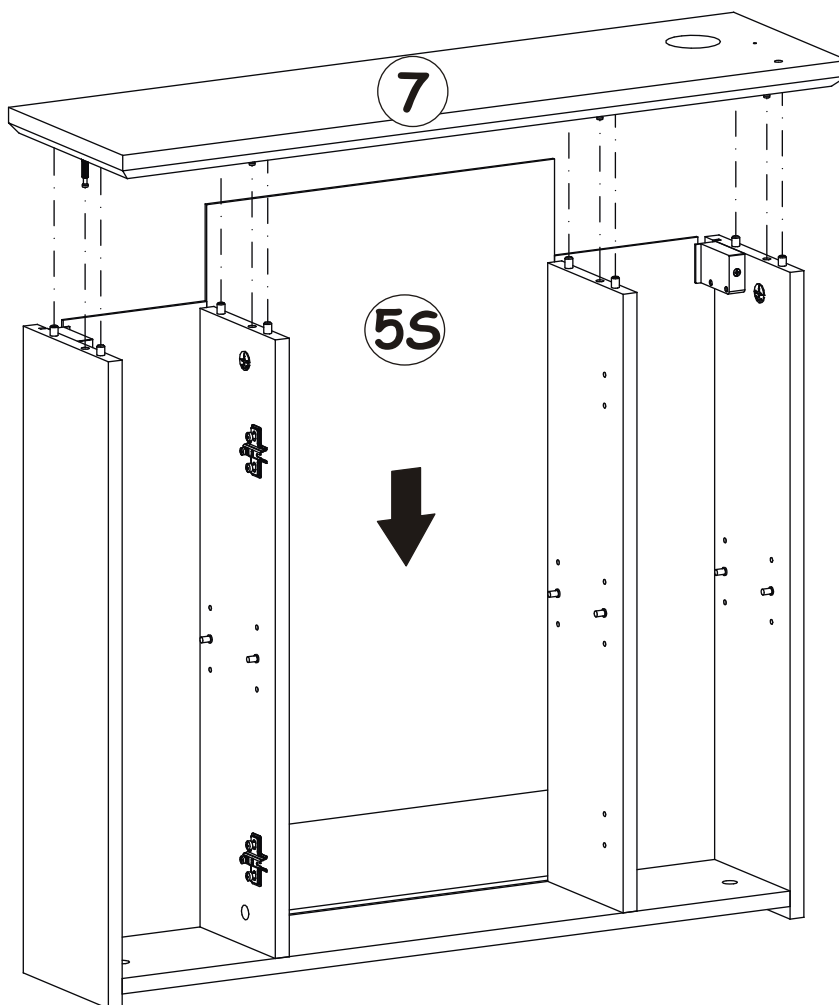
G5	
x2	



8



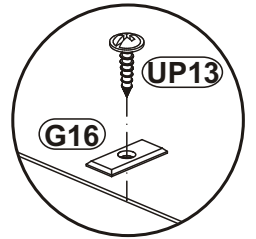
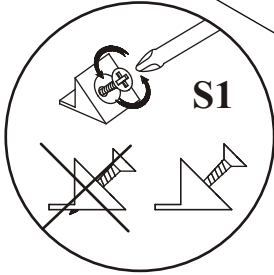
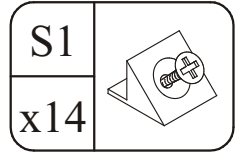
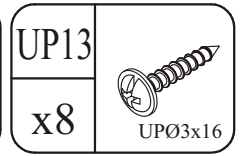
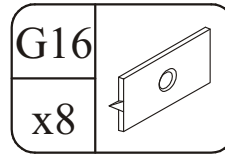
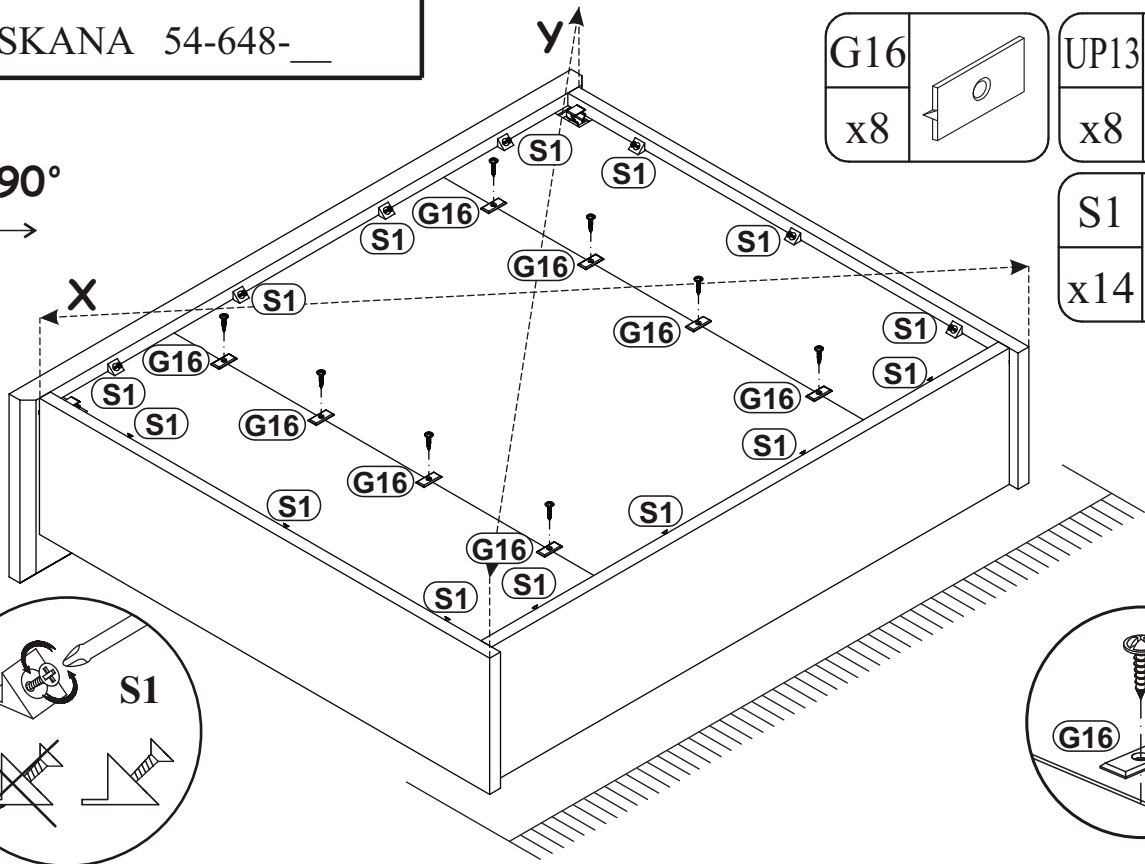
9



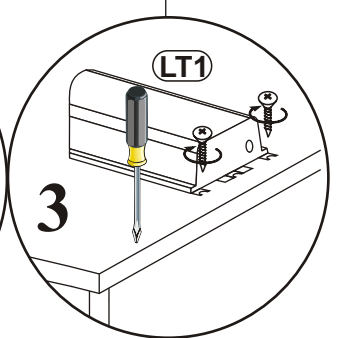
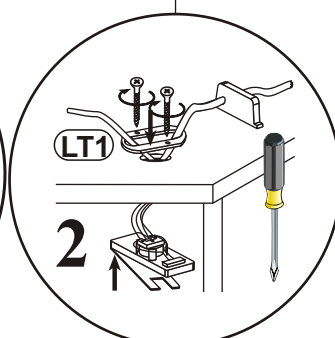
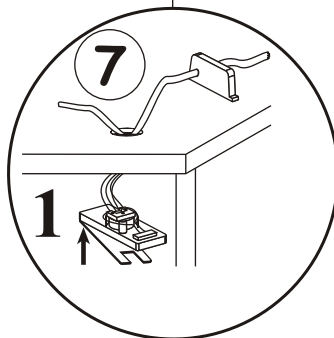
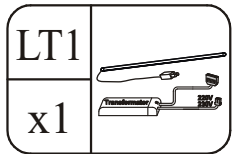
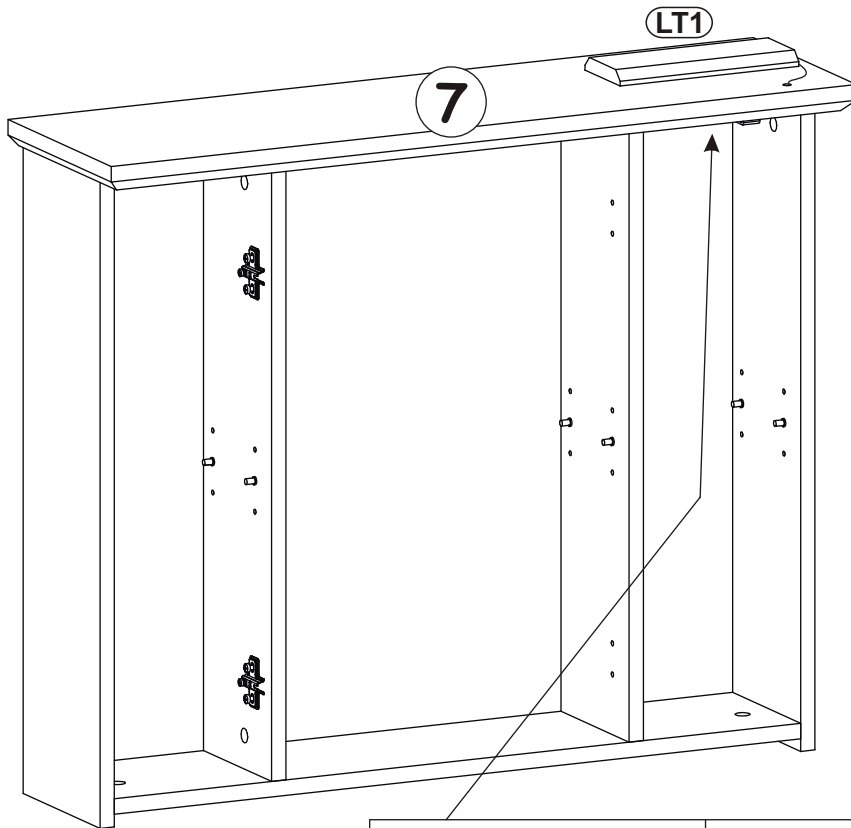


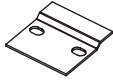
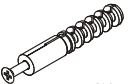
10

X=y 

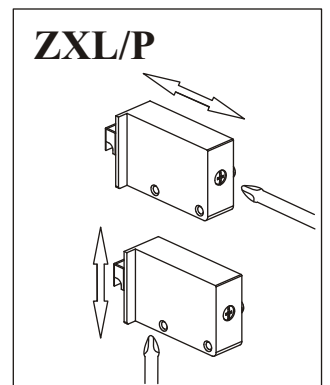
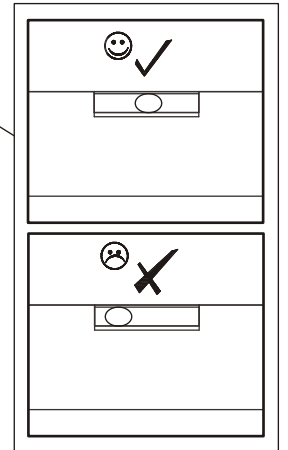
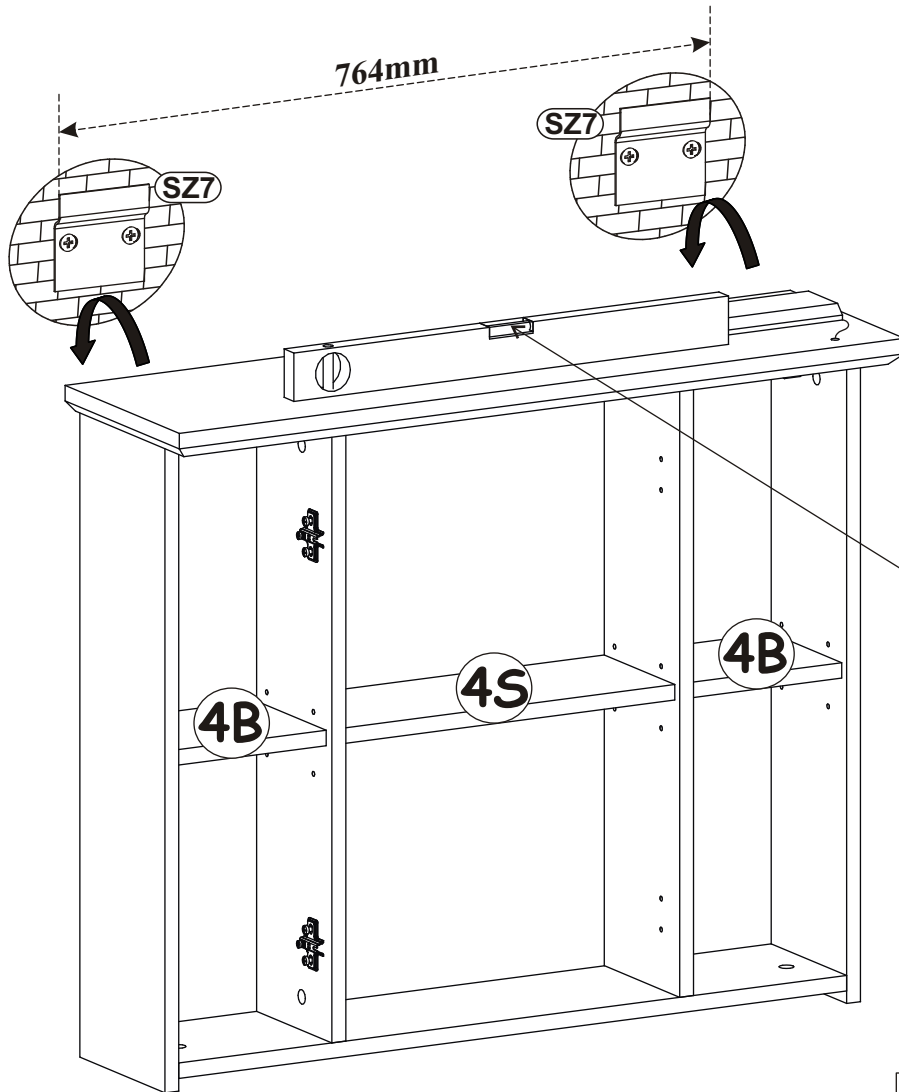
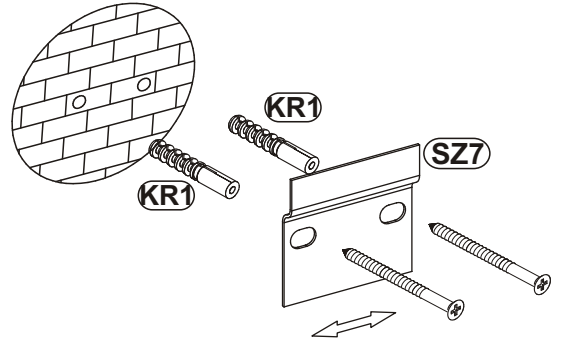
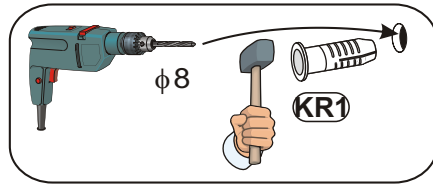
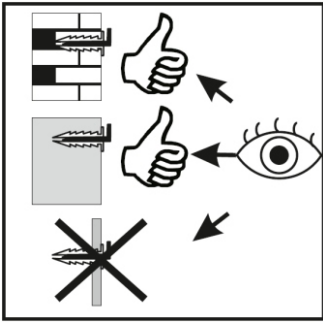


11

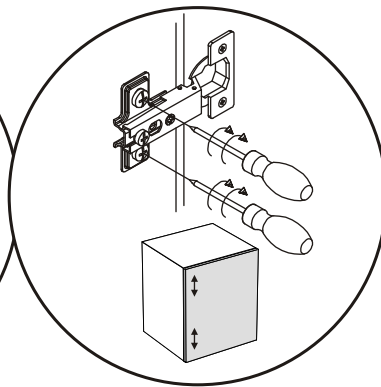
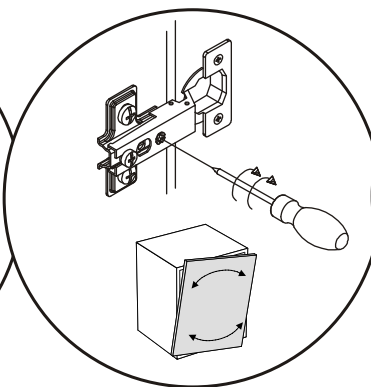
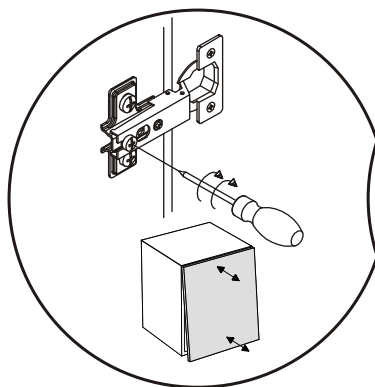
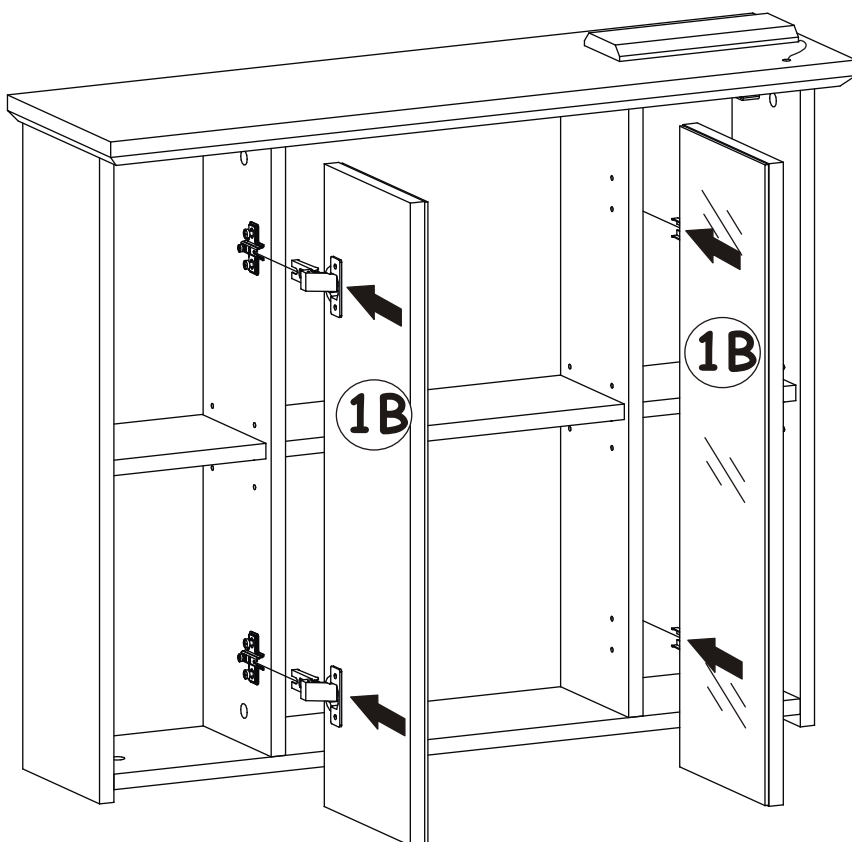


SZ7		KR1	
x2		x4	Ø8

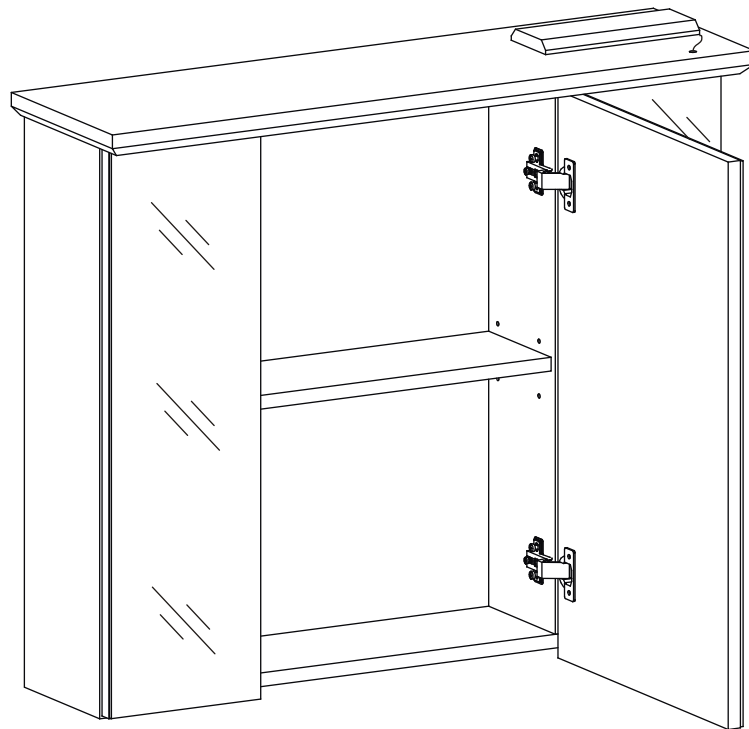
12



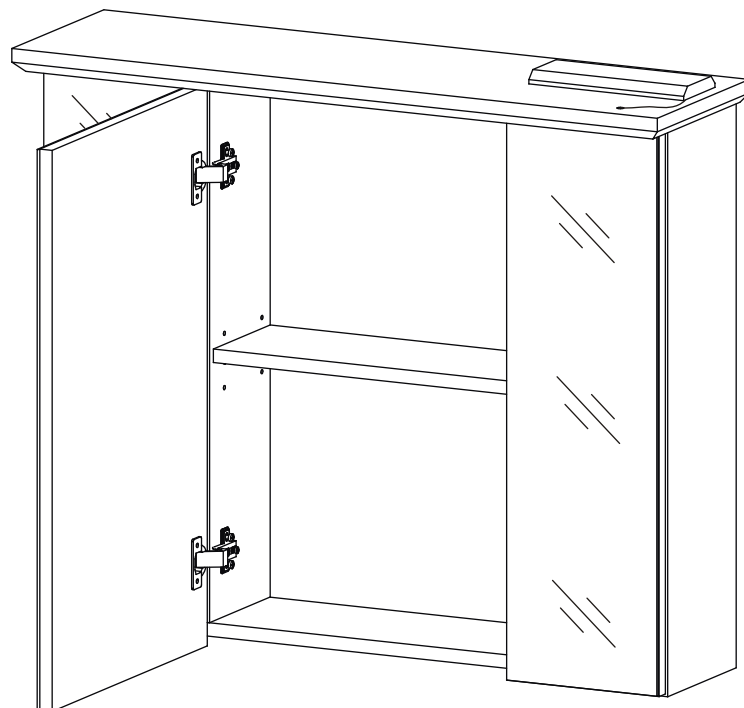
13

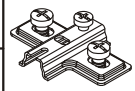



**14-15**

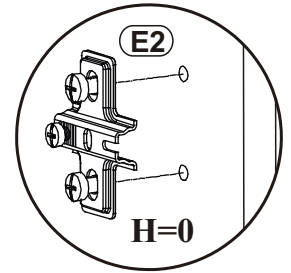
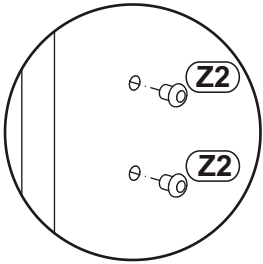
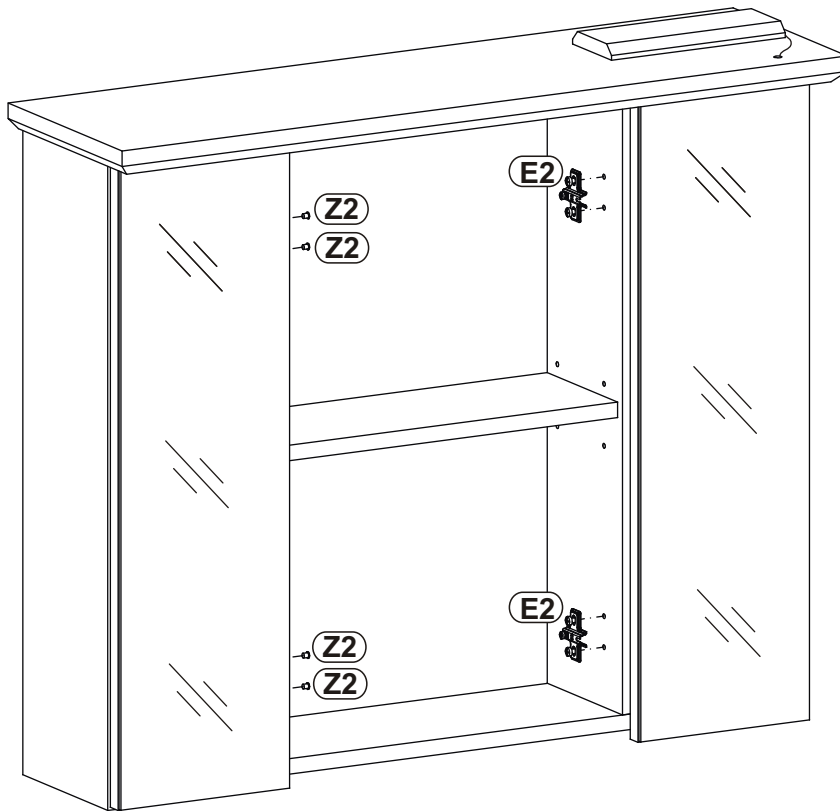
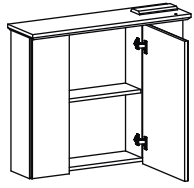


**16-17**

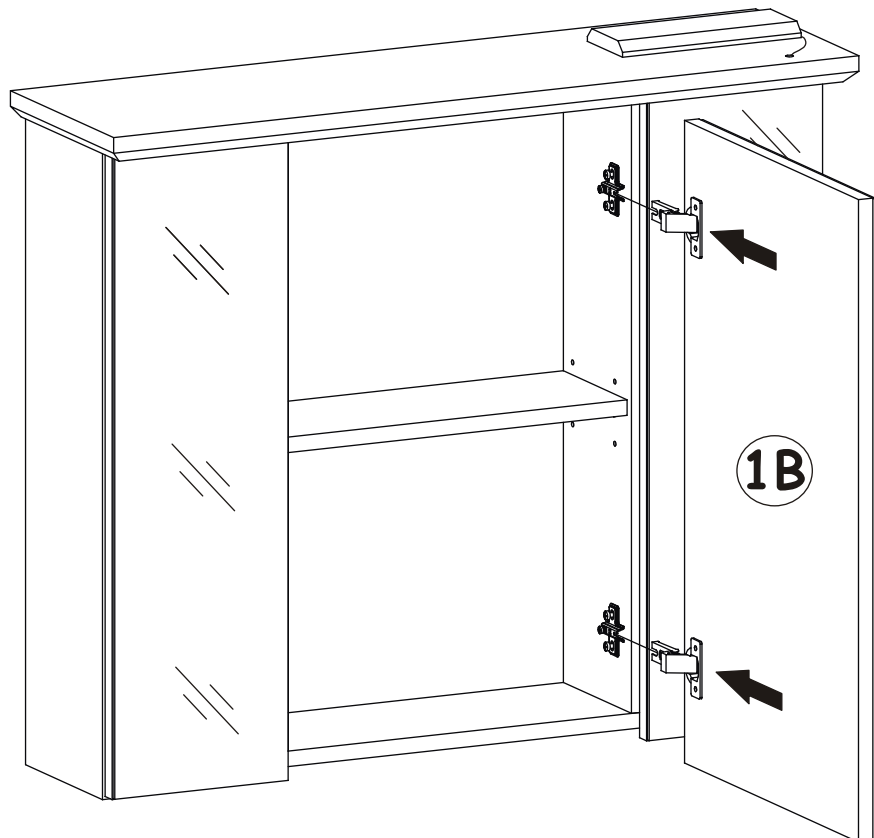
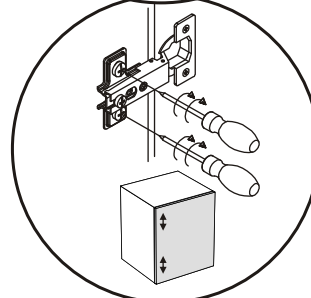
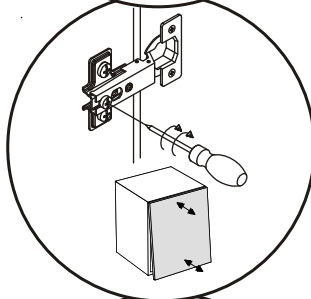
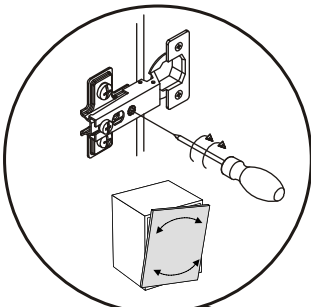


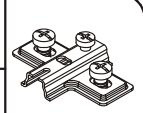

E2		Z2	
x2	H=0	x4	Ø5

# 14

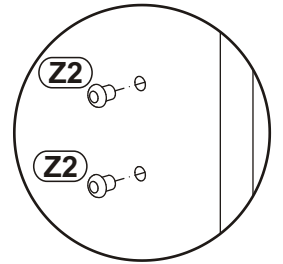
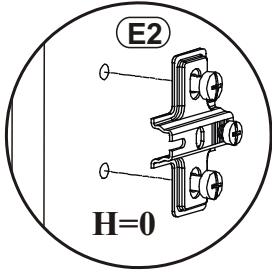
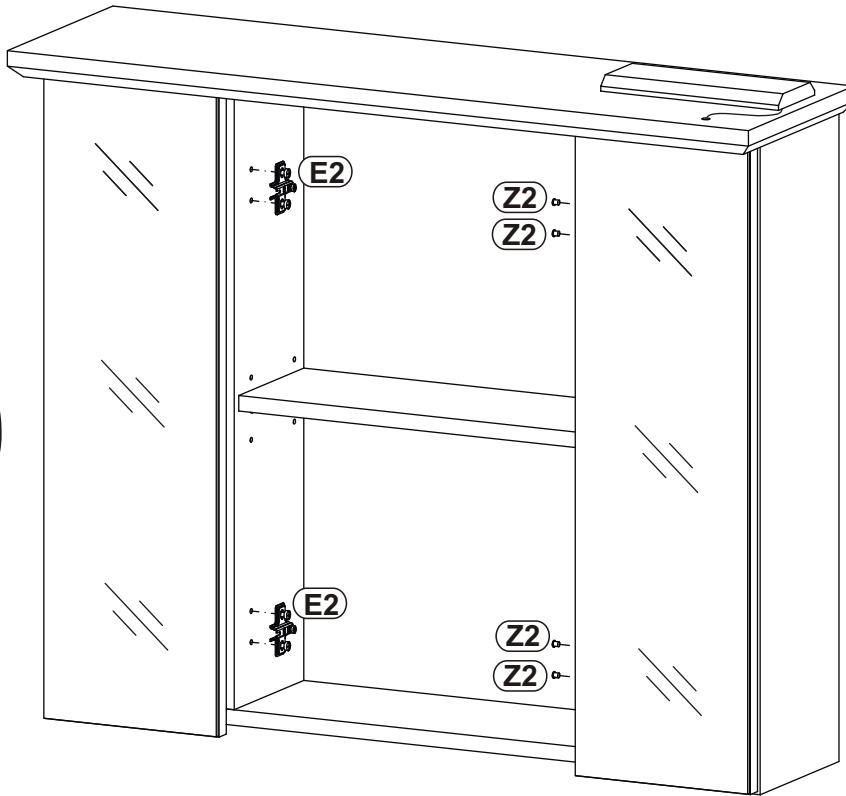
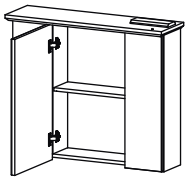


# 15



E2		Z2	
x2	H=0	x4	Ø5

# 16



# 17

