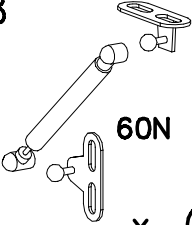
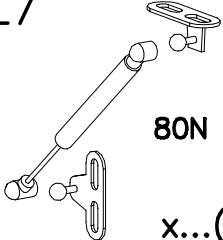
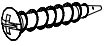

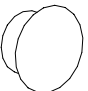
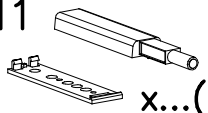
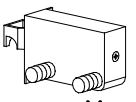
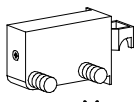


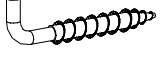


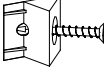
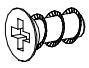
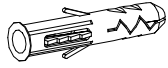
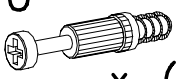

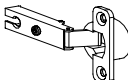
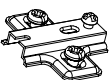

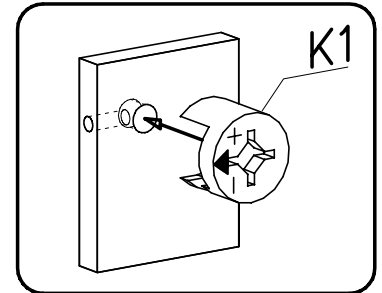
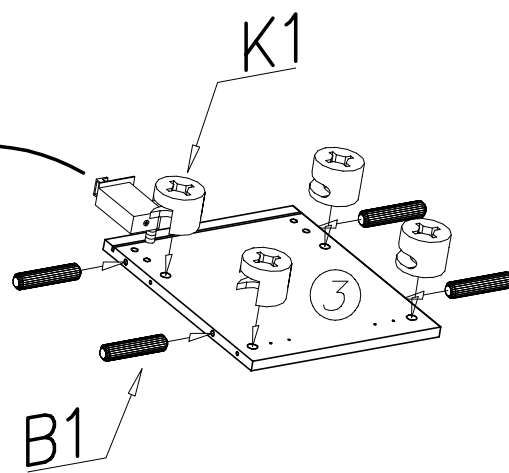
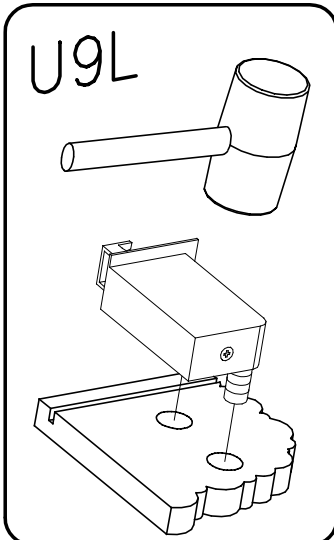
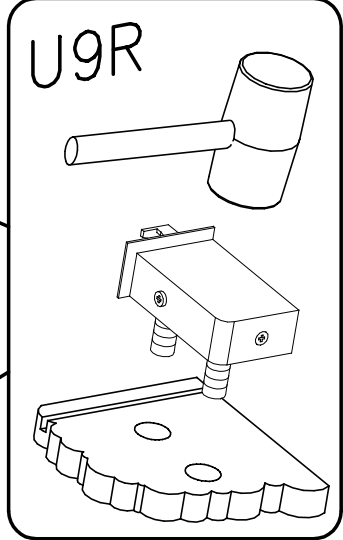
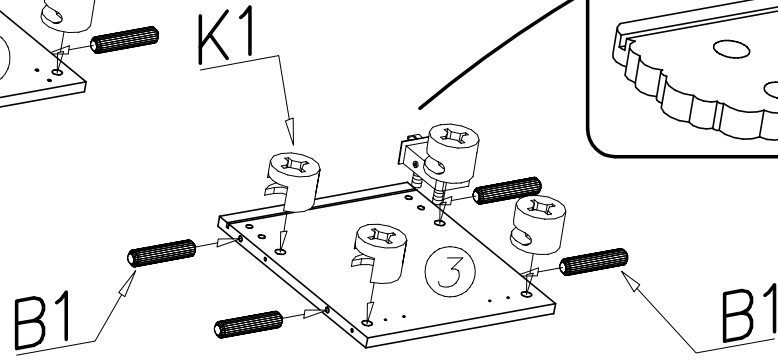
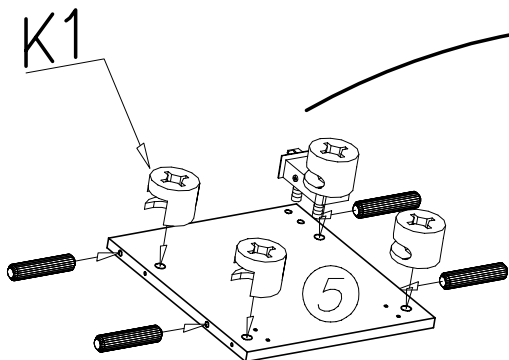
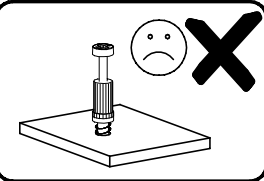
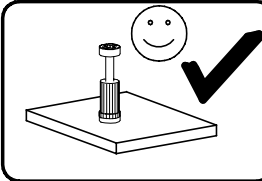
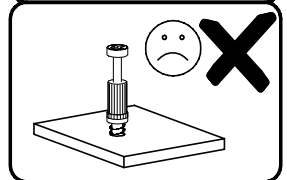
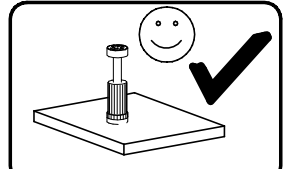
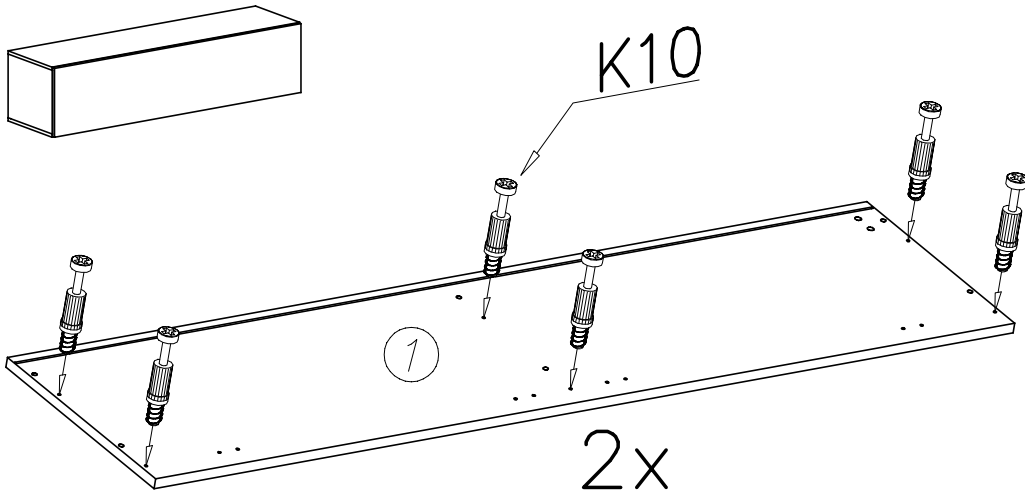
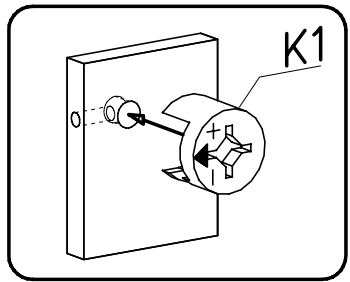
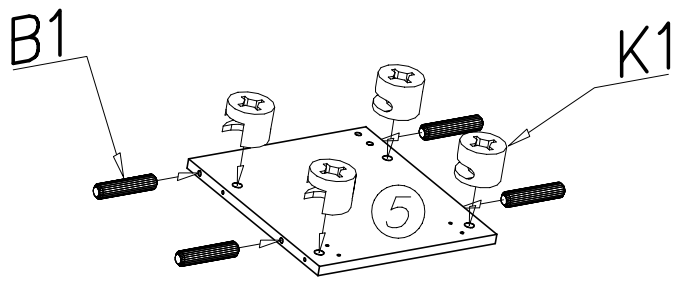
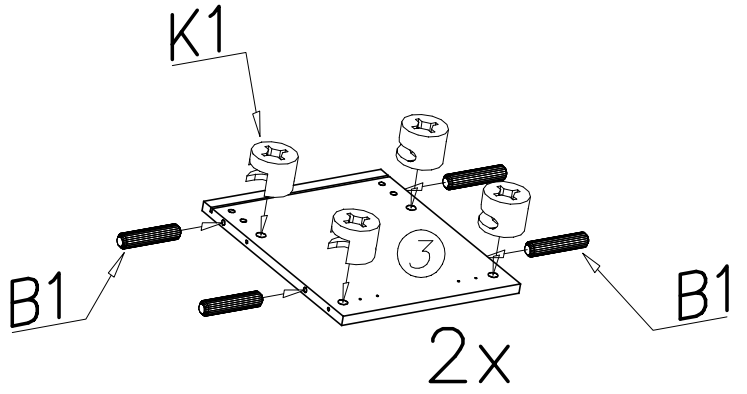
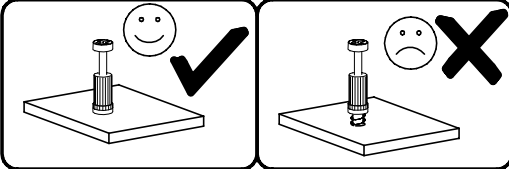
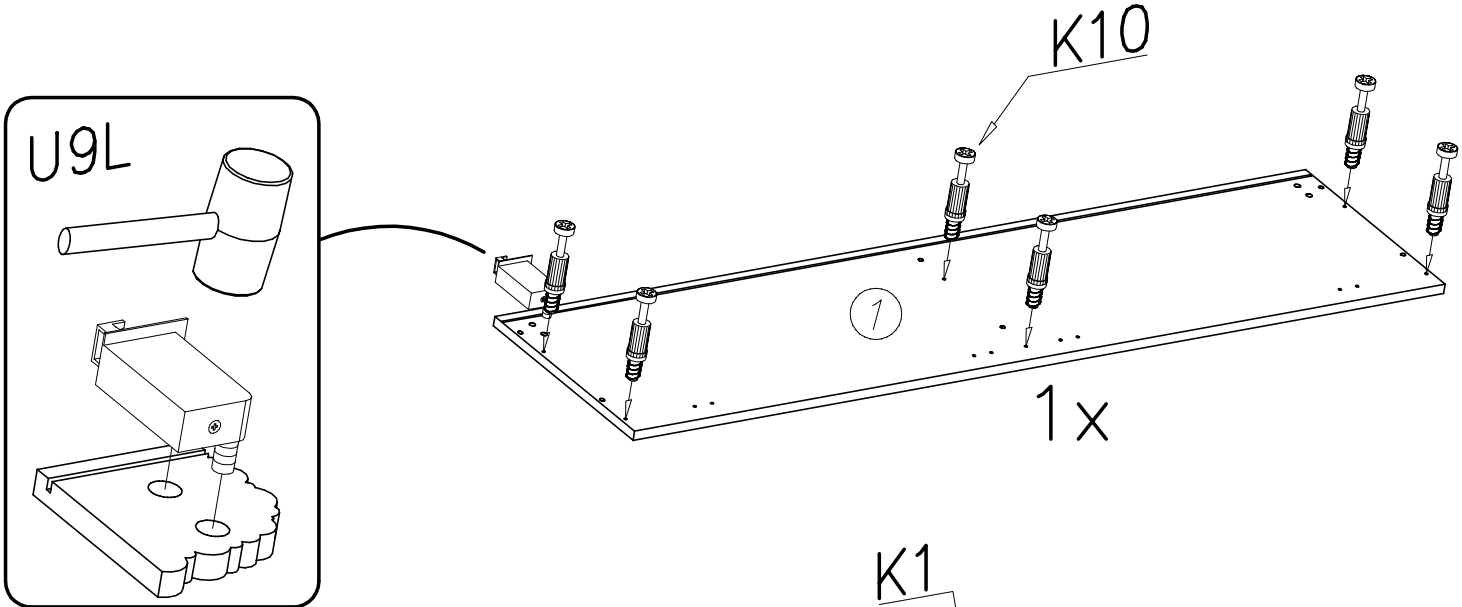
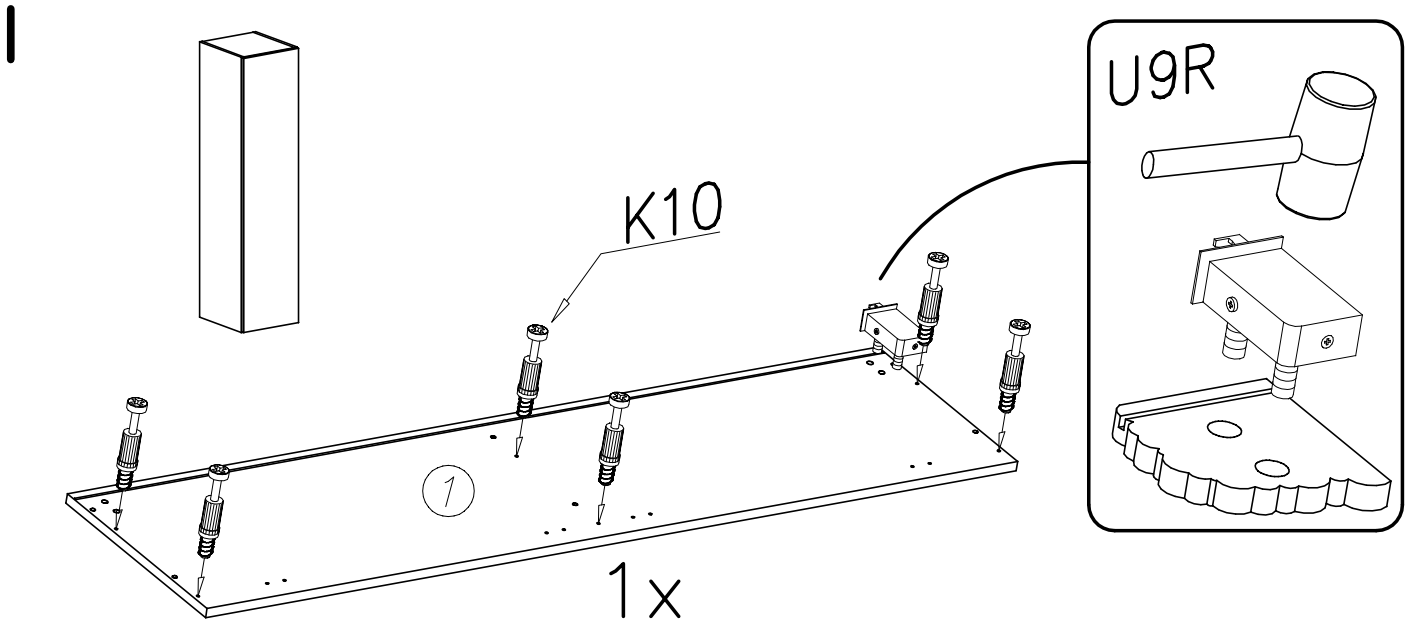


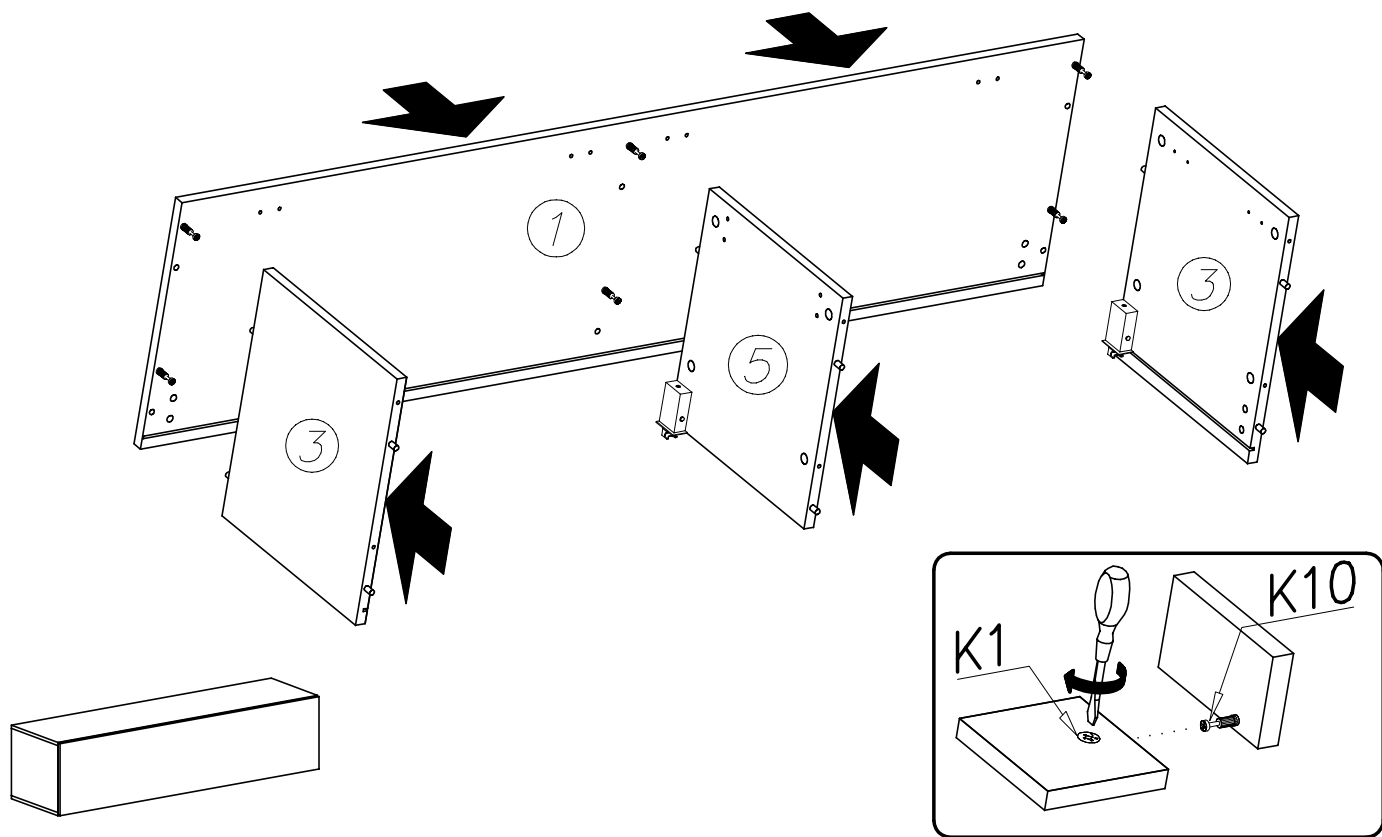
L8  60N x...(2)	L7  80N x...(2)	G32  3,5x16 x...(16)	I4  ø5 x...(12)	I10  ø10 x...(12)	L11  x...(2)
U9L  x...(1)	U9R  x...(2)	U10L  x...(1)	U10R  x...(2)	U7  x...(3)	
K1  ø15x12 x...(12)	I7  x...(12)	I1  x...(6)	G46  6x8 x...(4)	U8  ø10x60 x...(3)	
K10  x...(12)	B1  ø8x35 x...(12)	C3  Z35PR x...(3)	D3  PZ35PR x...(3)	G34  3,5x16 x...(9)	

I

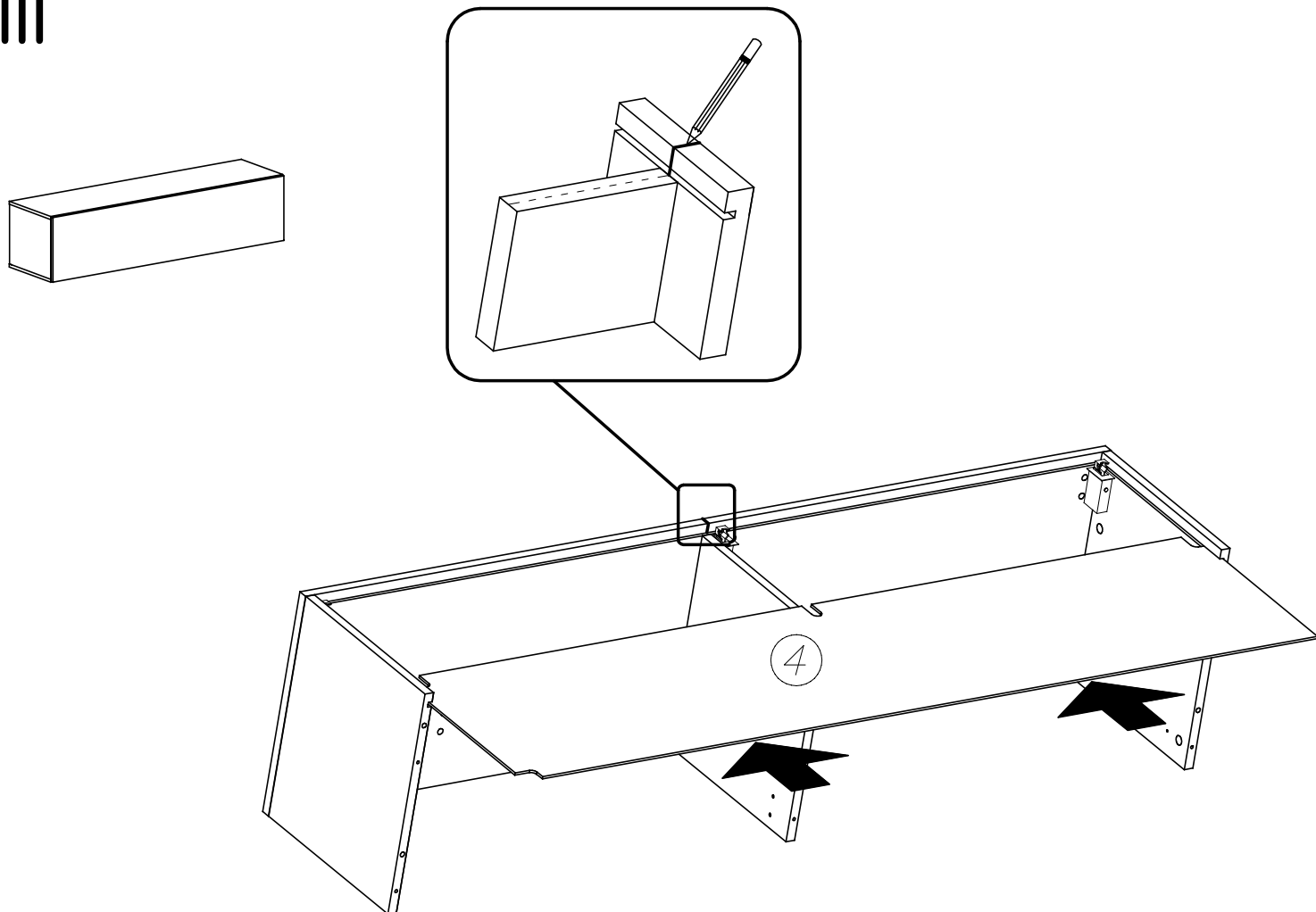




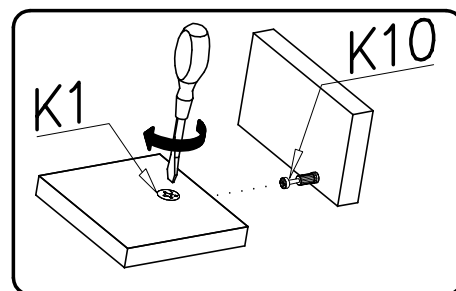
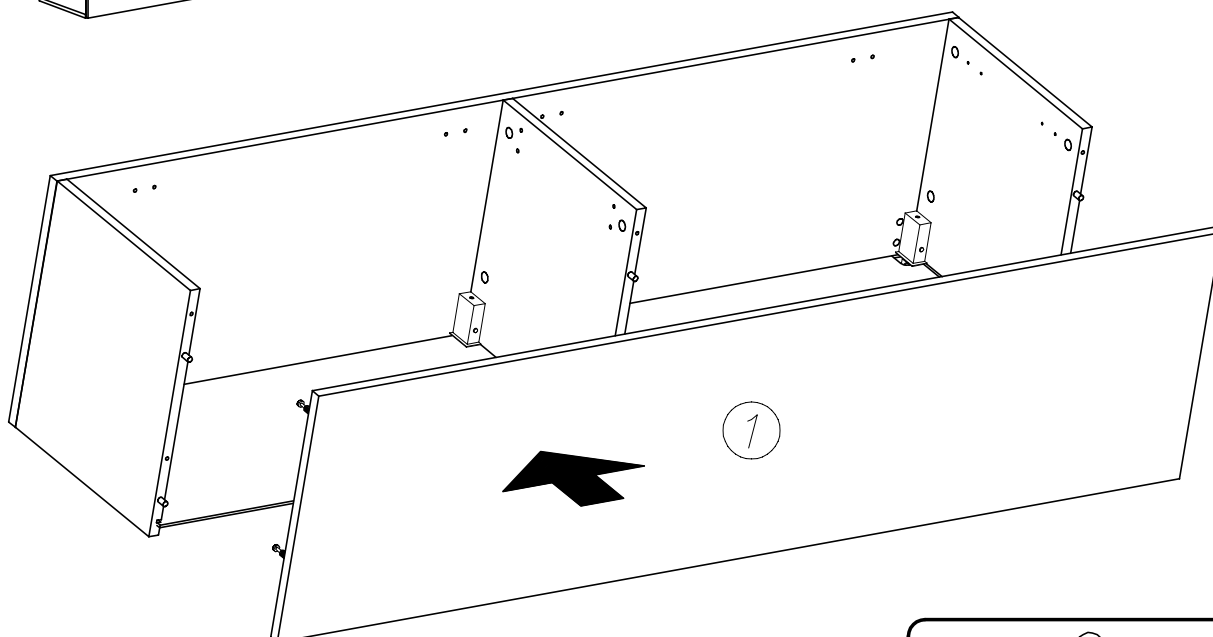
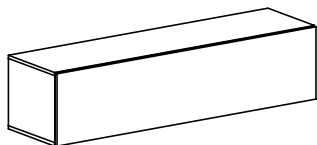
II



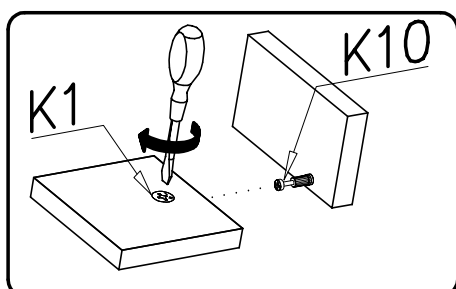
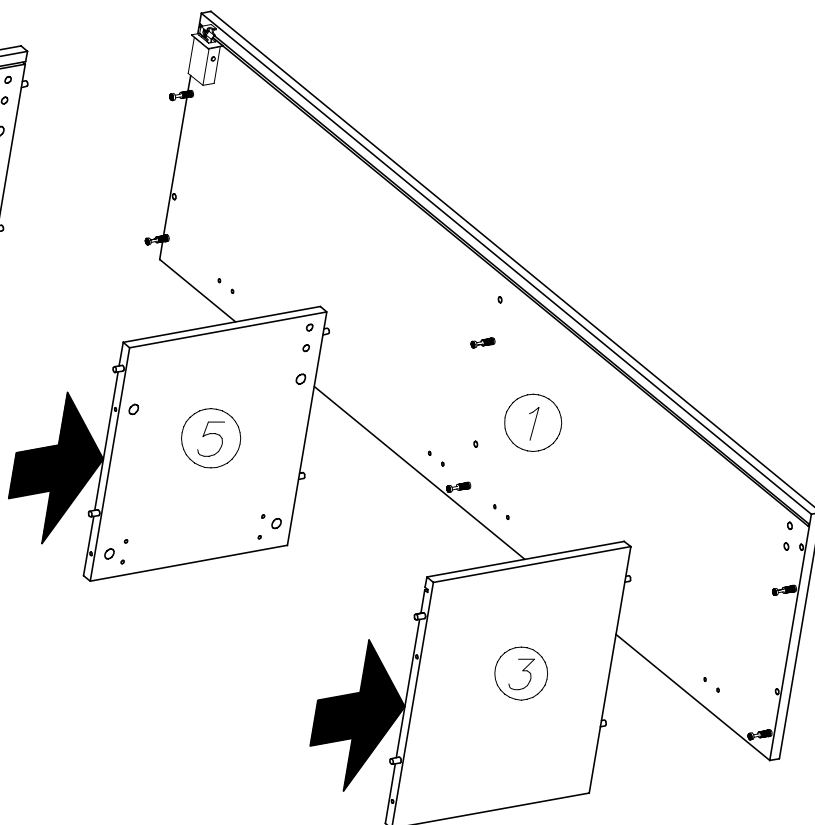
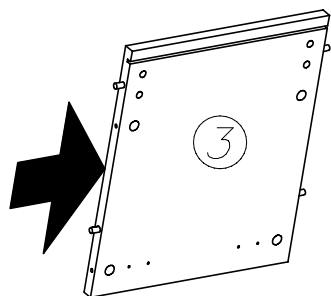
III



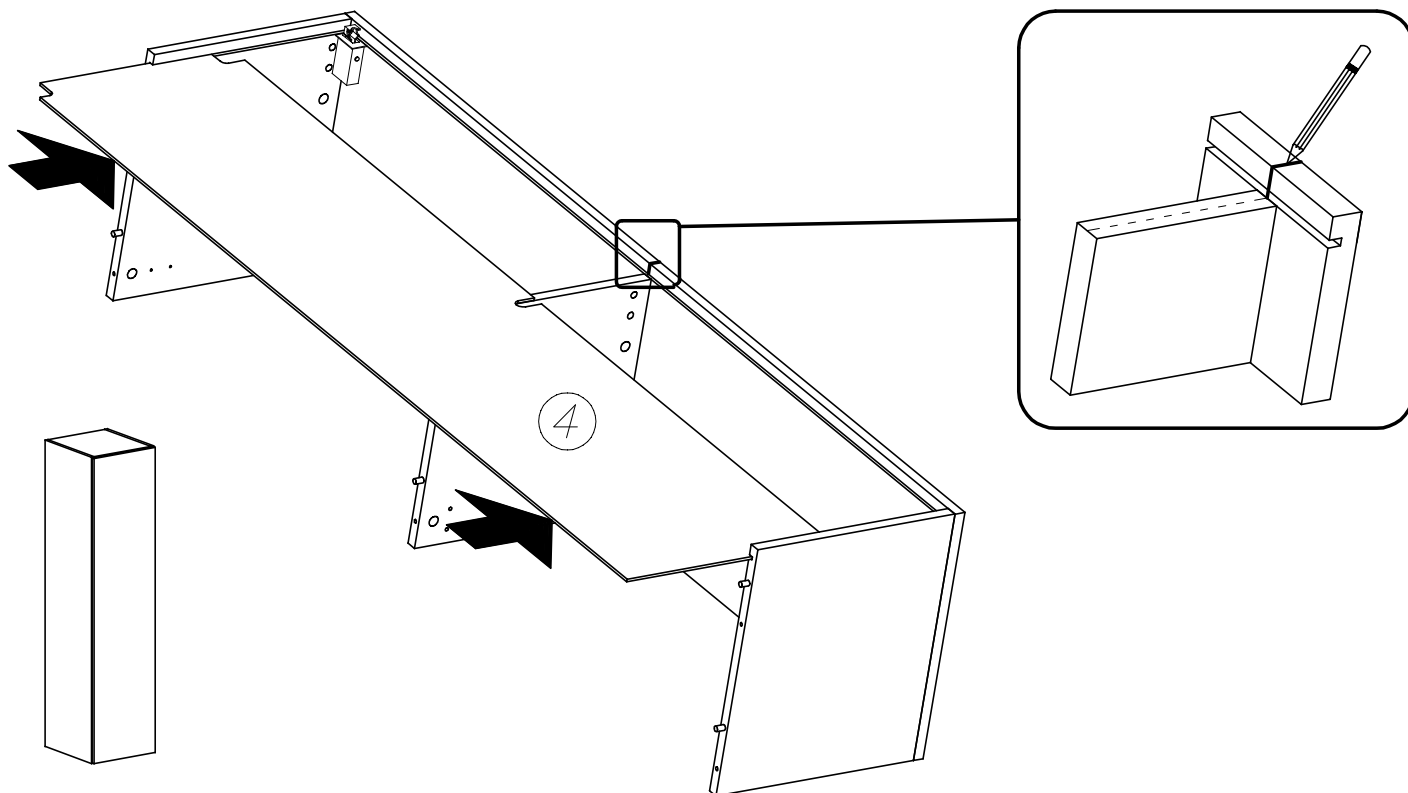
IV



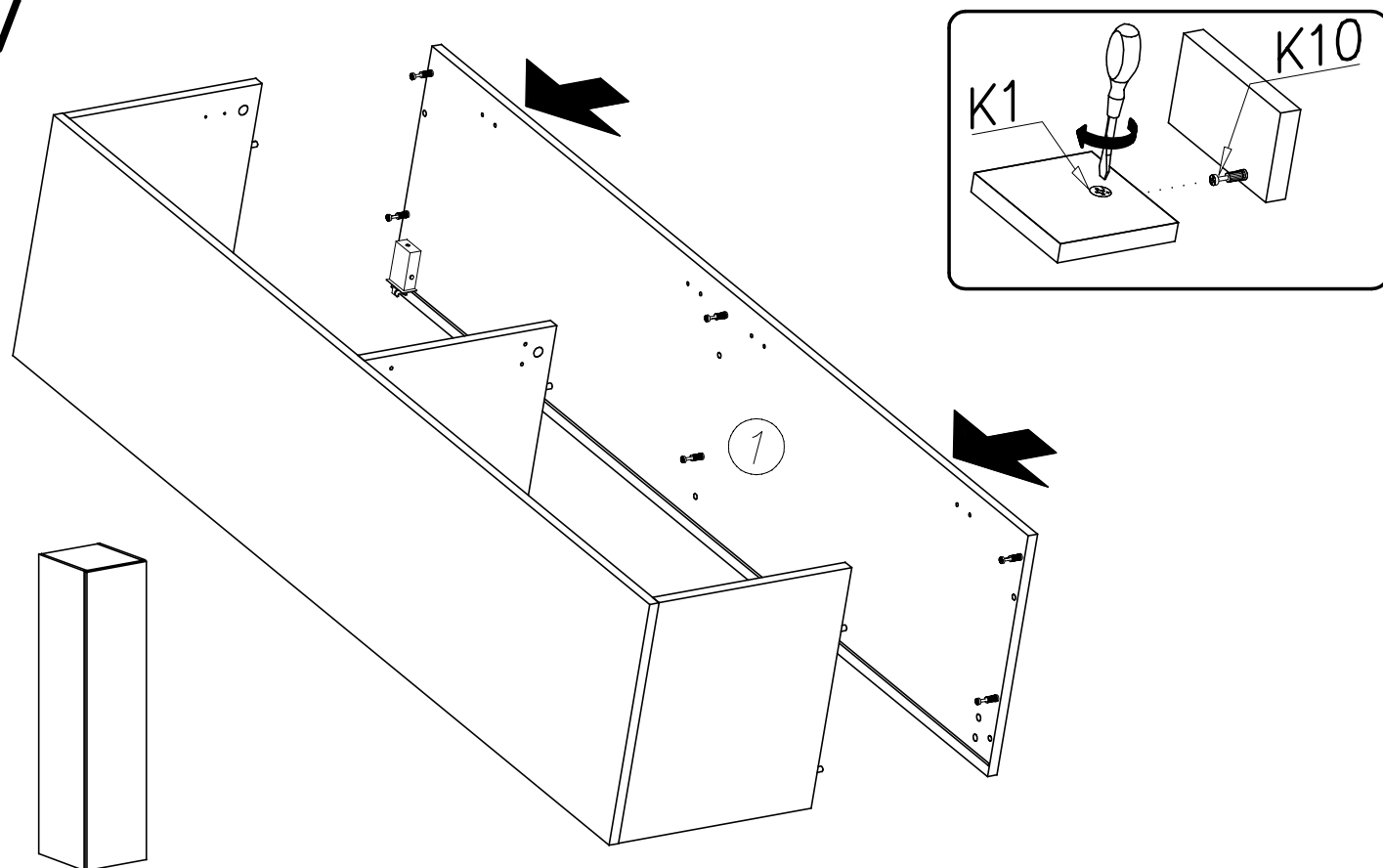
II

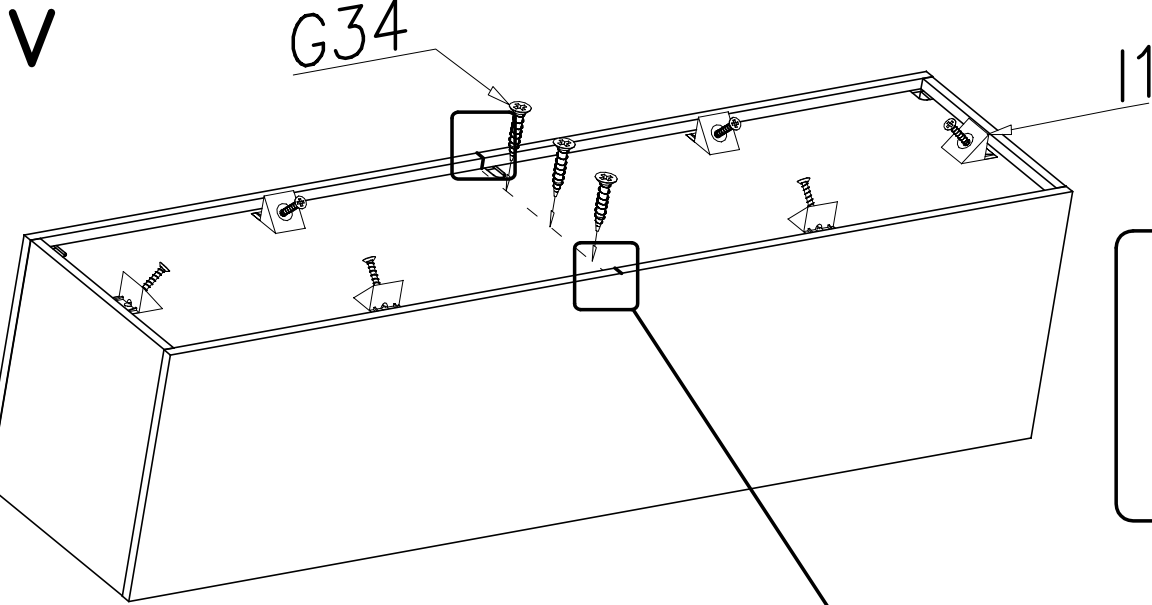
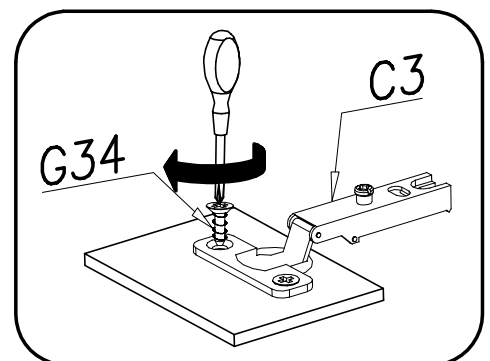
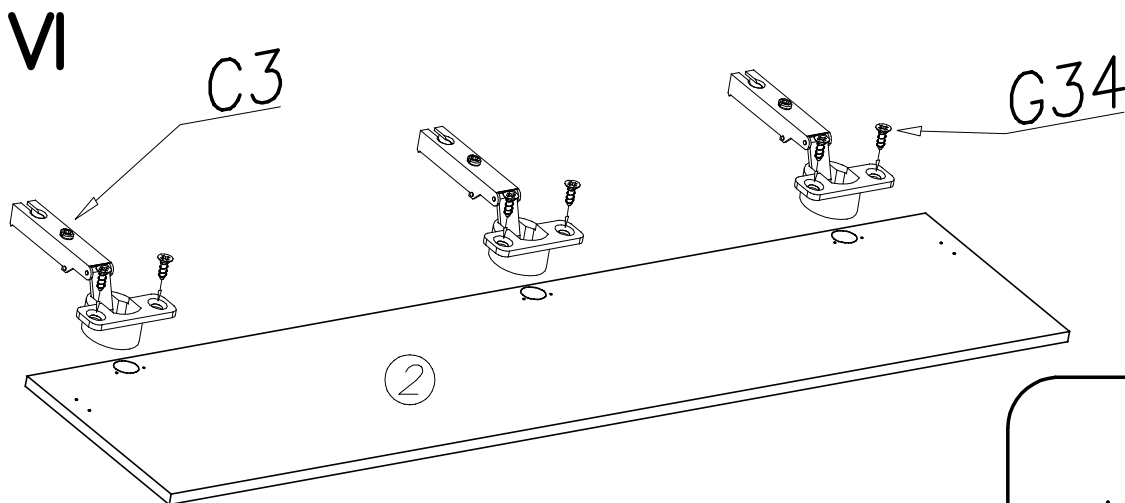
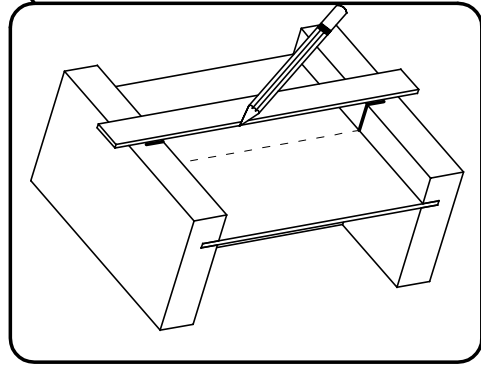
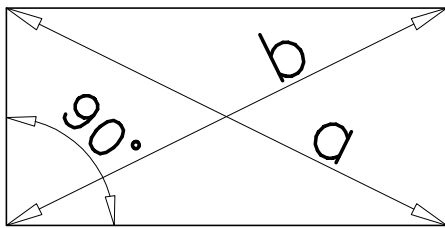


III

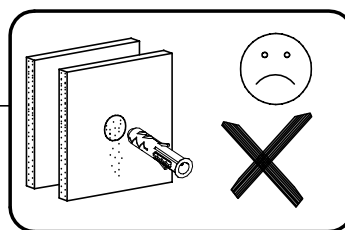
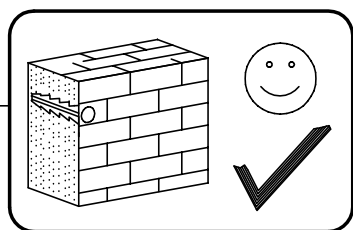
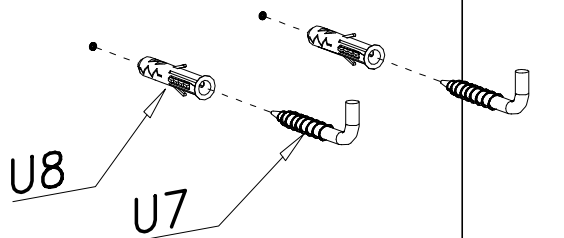
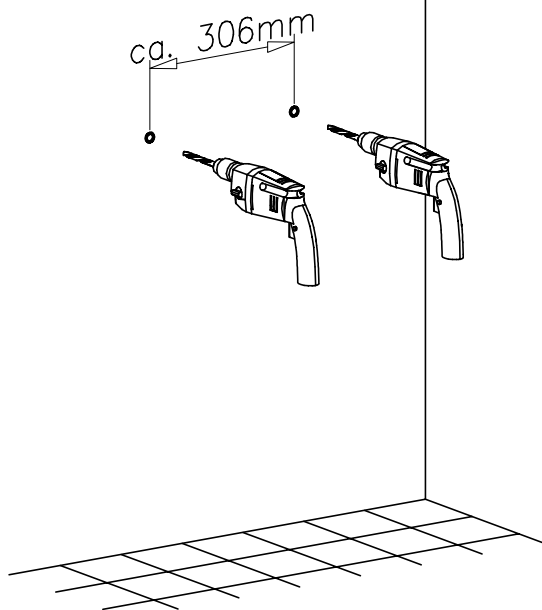
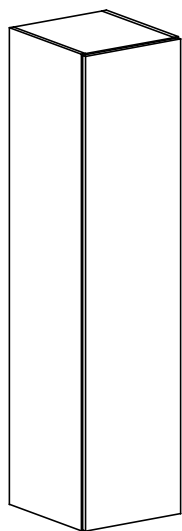


IV

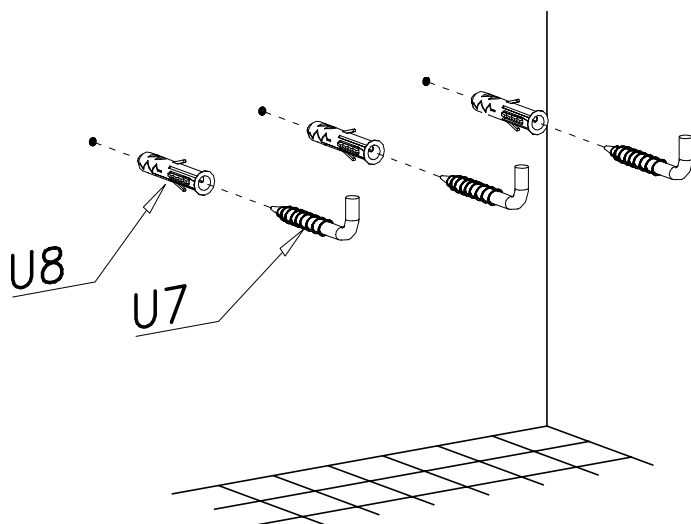
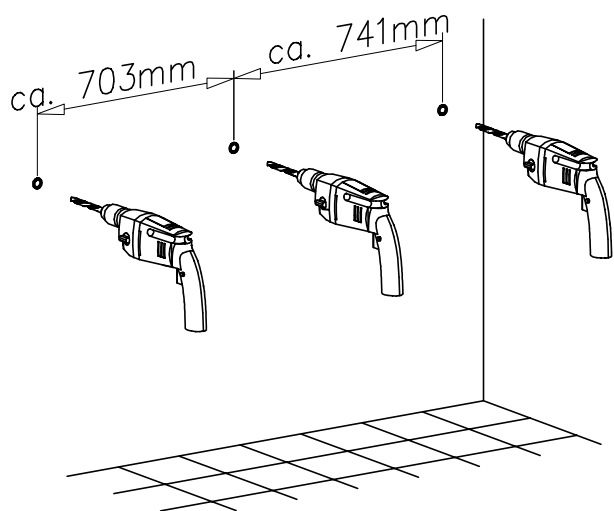
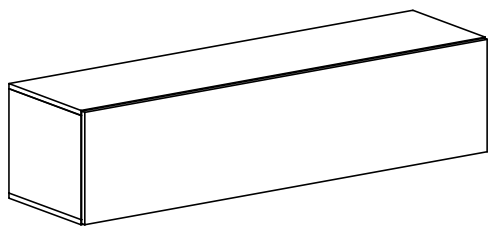


 $a=b$ 

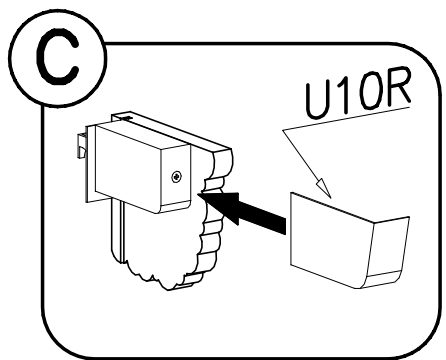
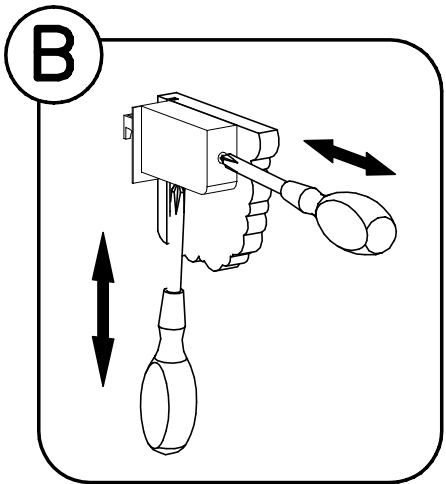
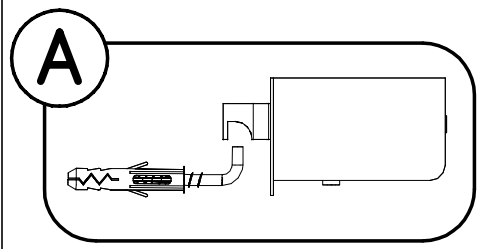
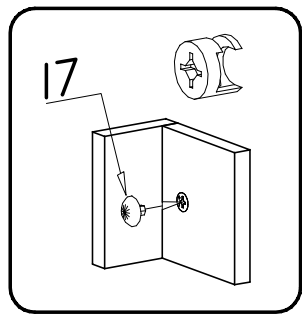
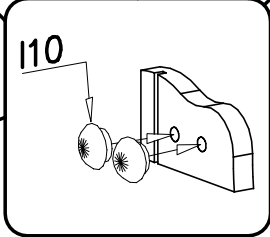
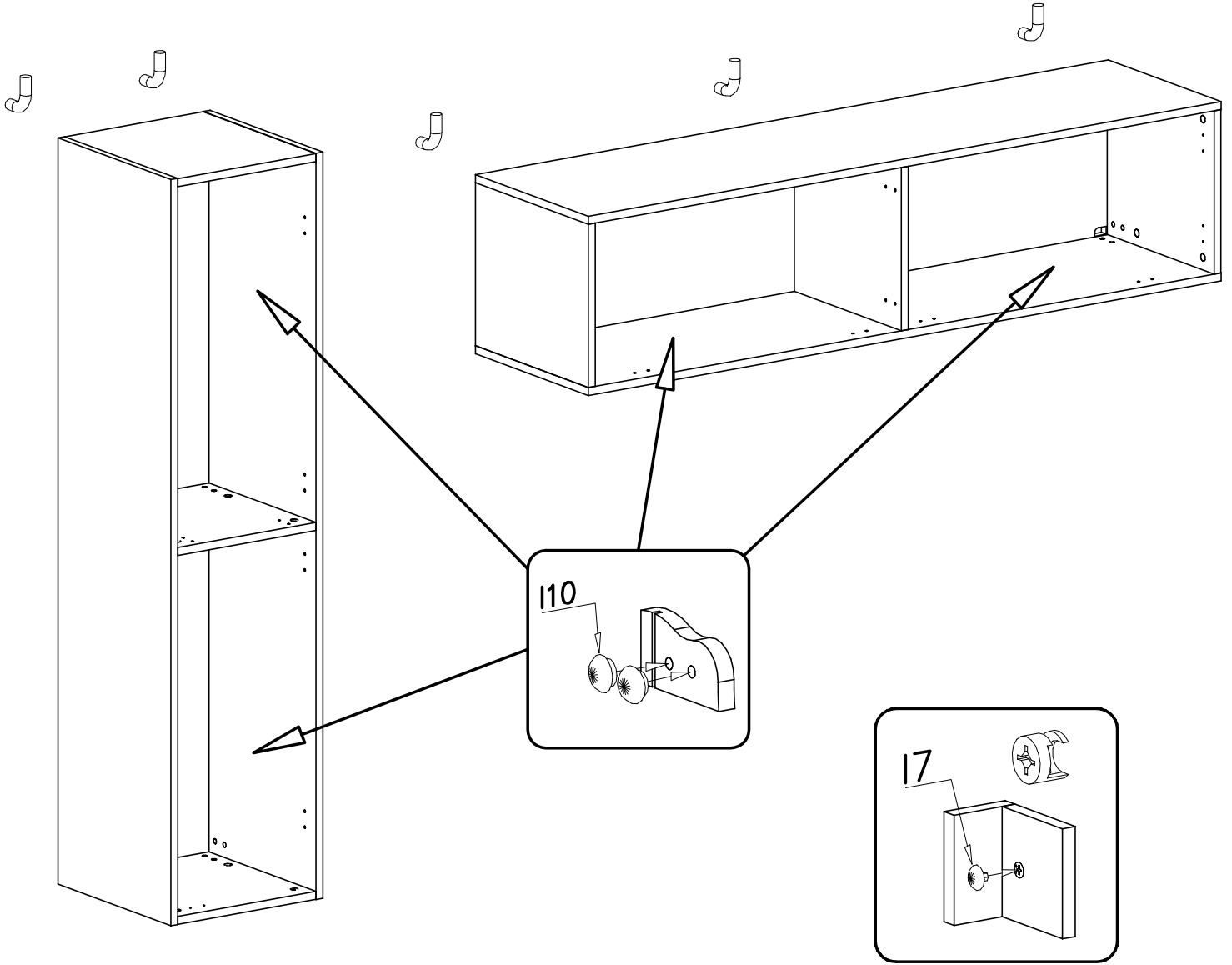
VII



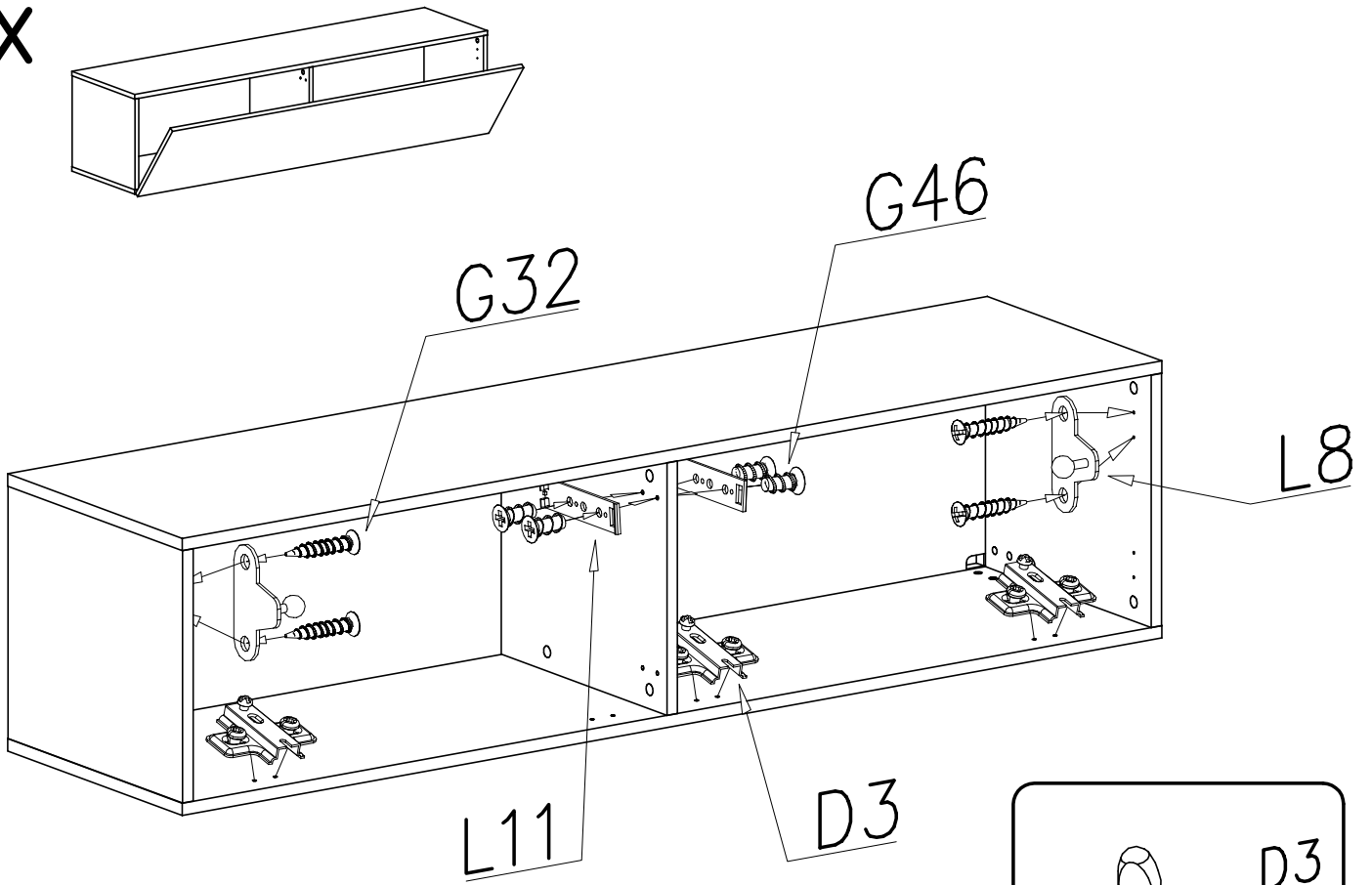
VII



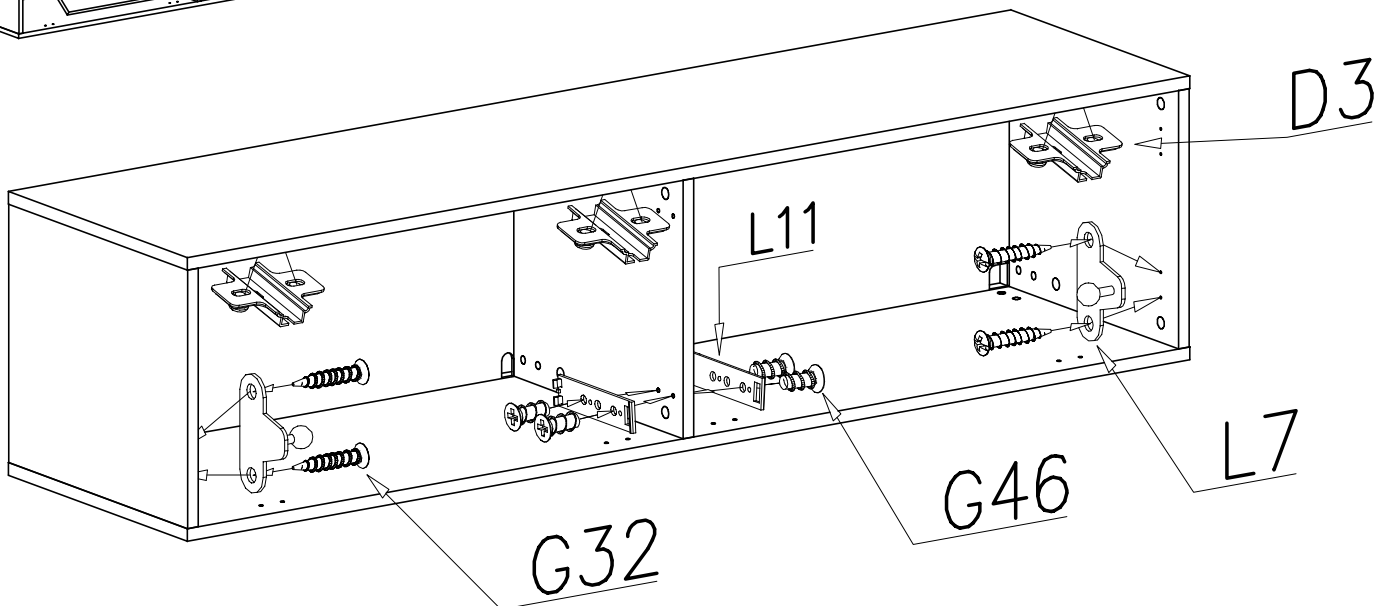
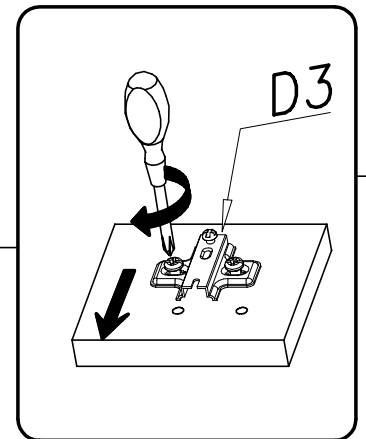
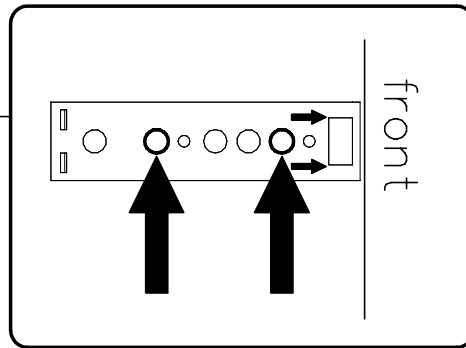
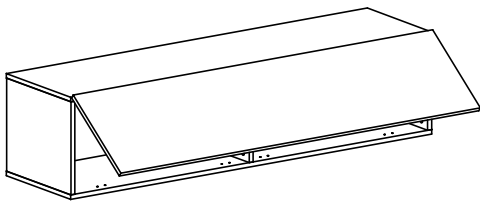
VIII



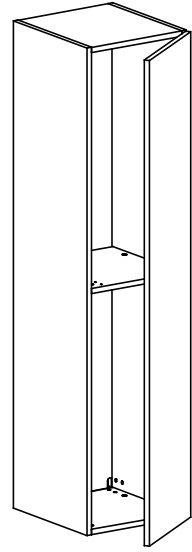
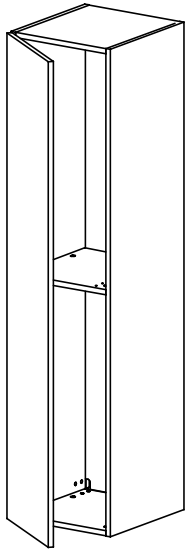
IX



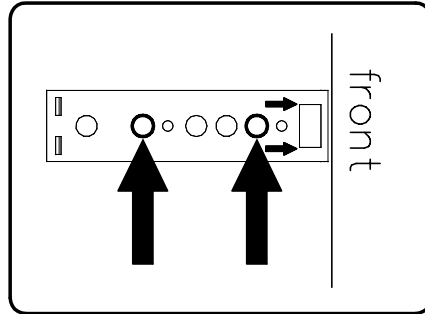
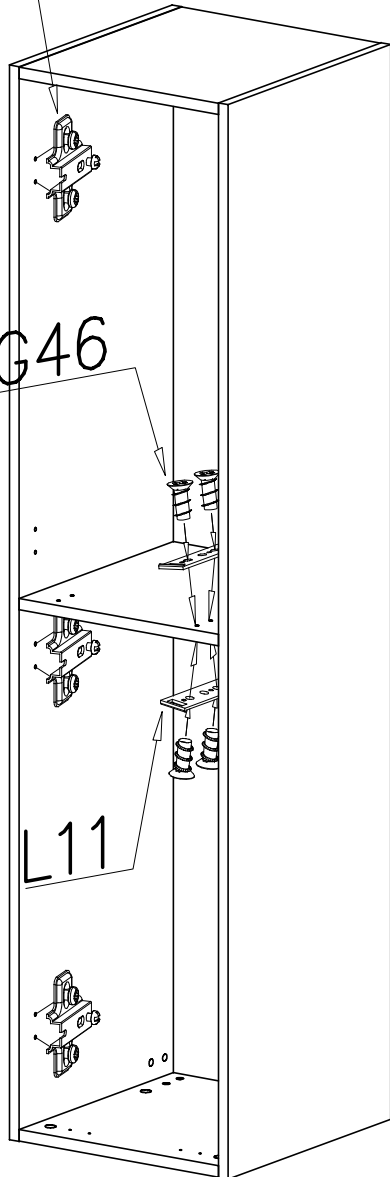
IX



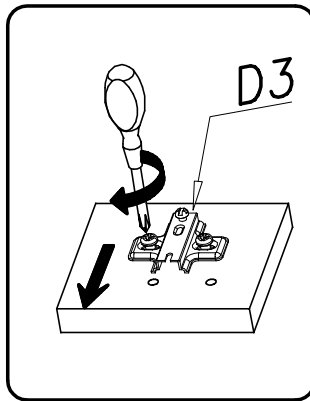
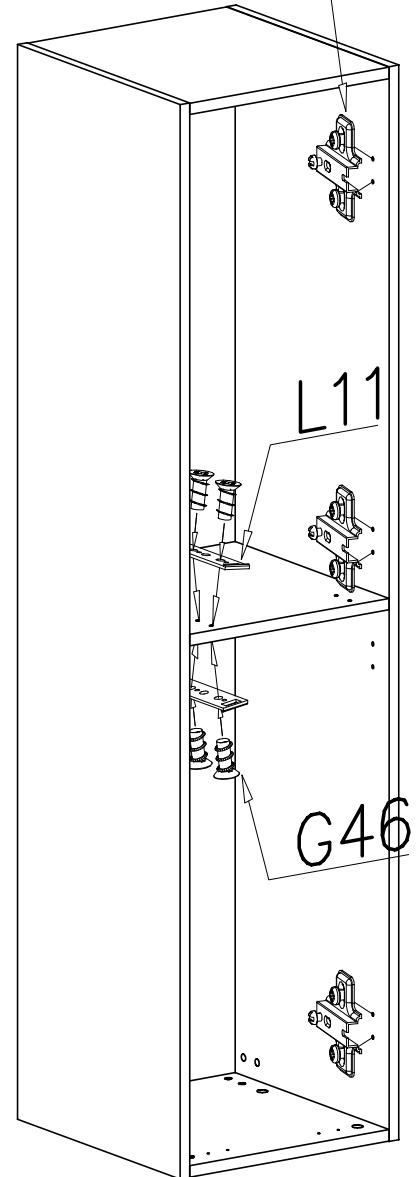
IX



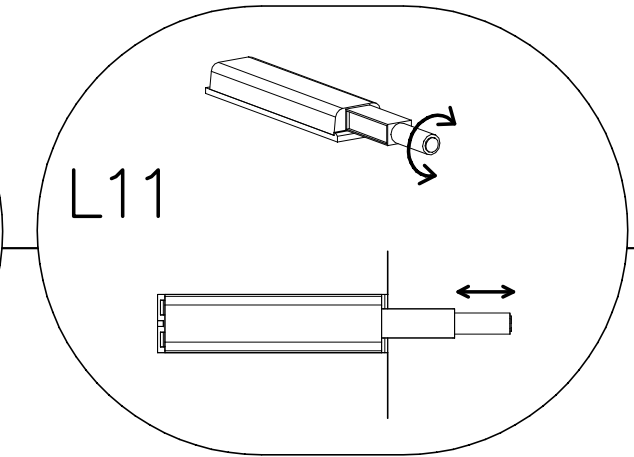
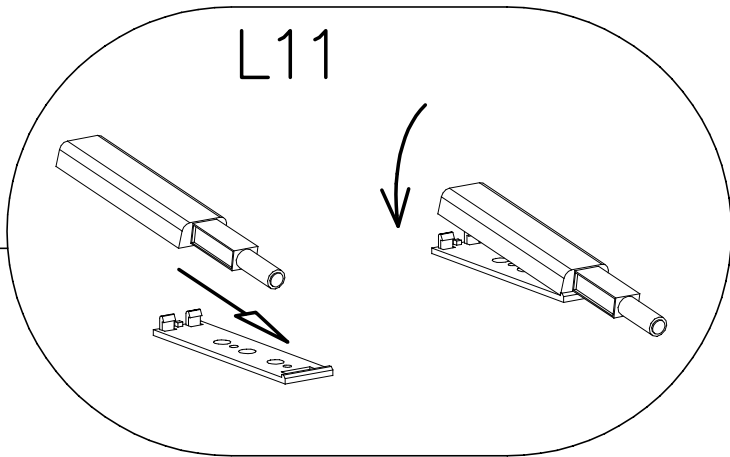
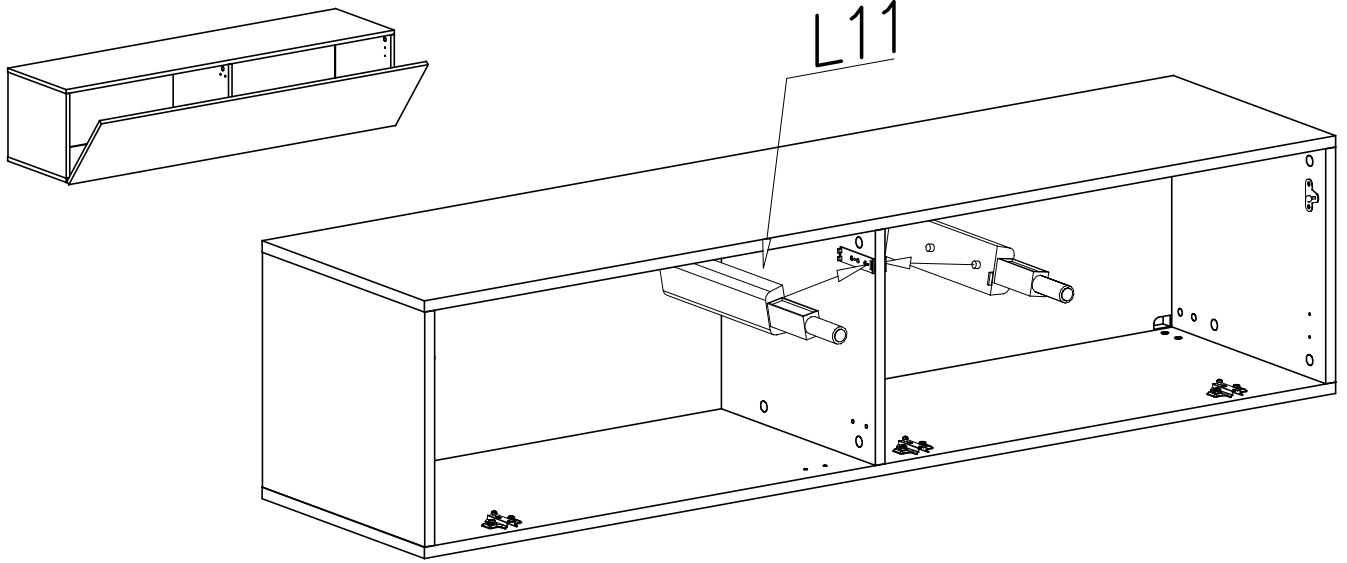
D3



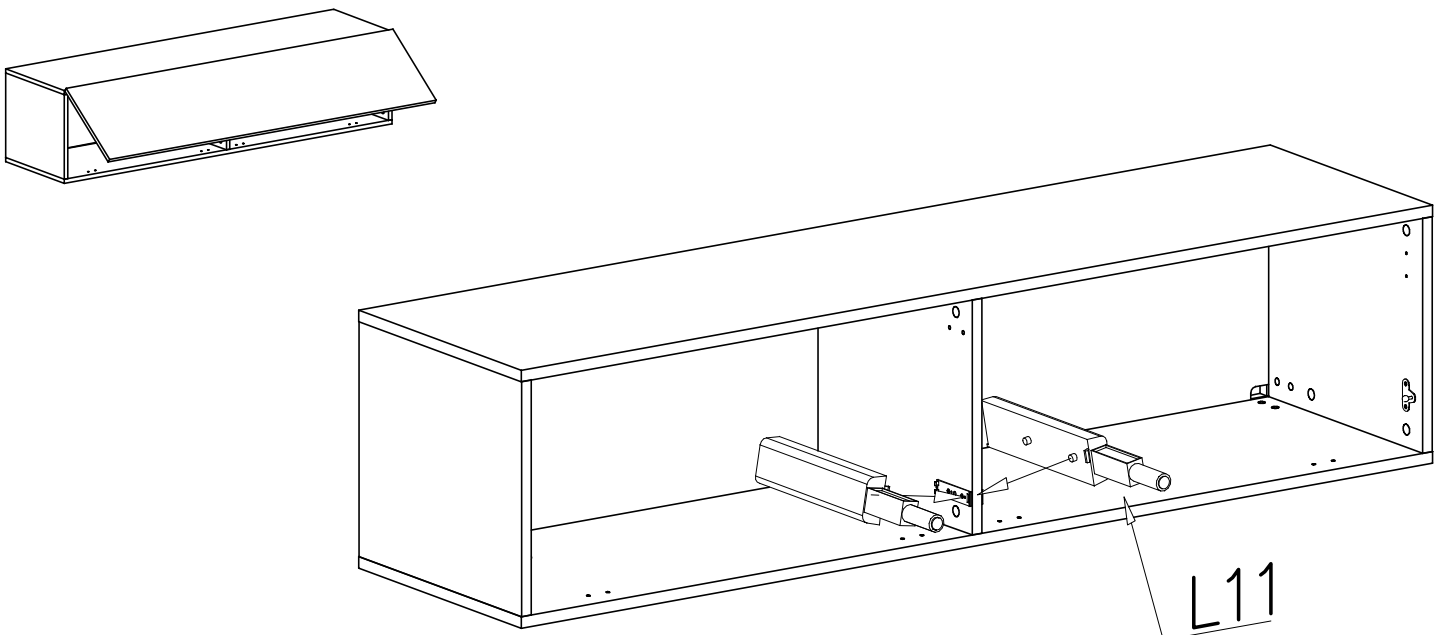
D3



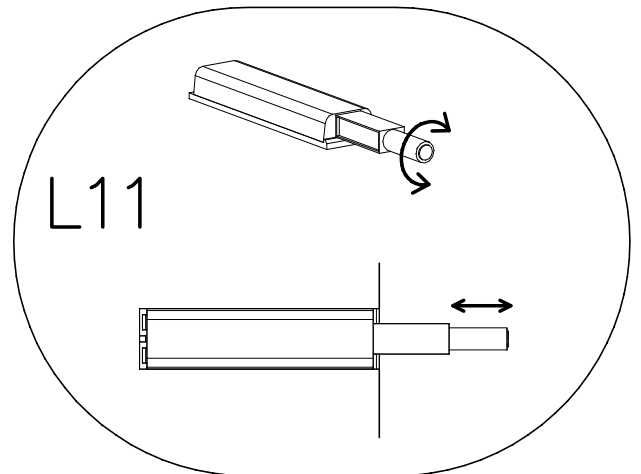
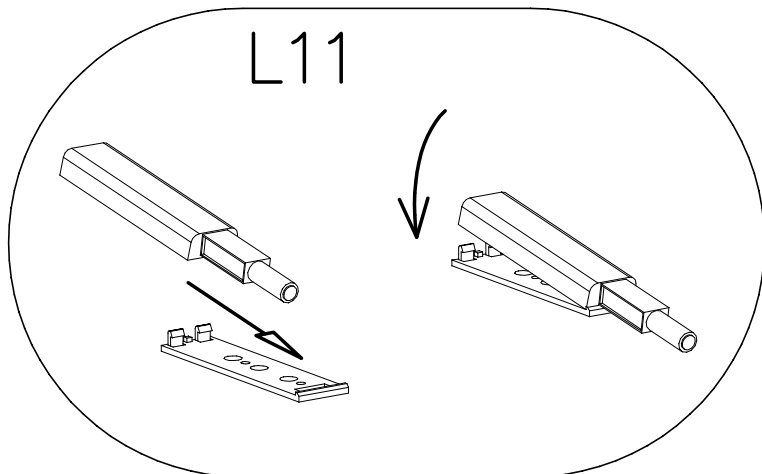
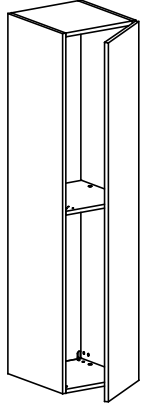
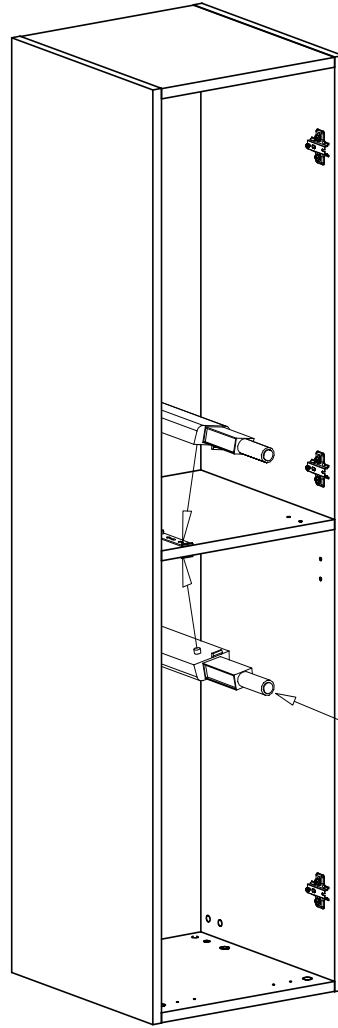
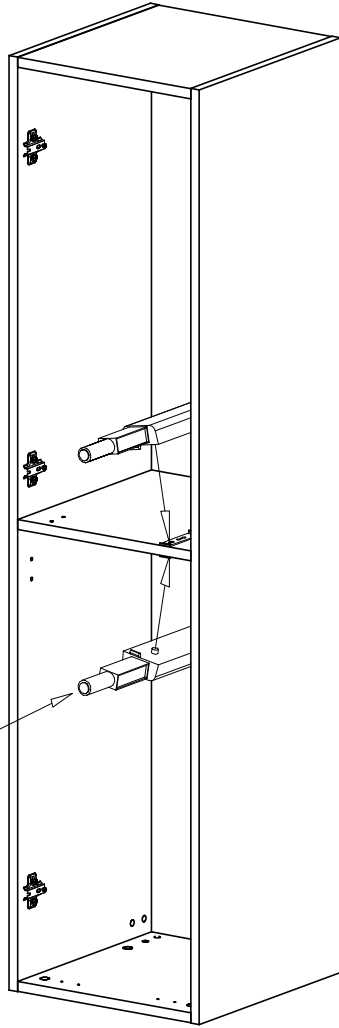
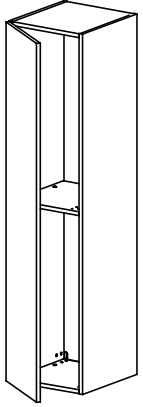
X



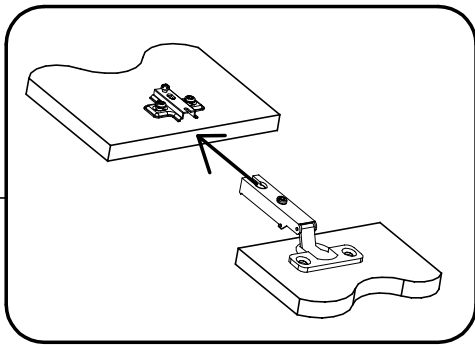
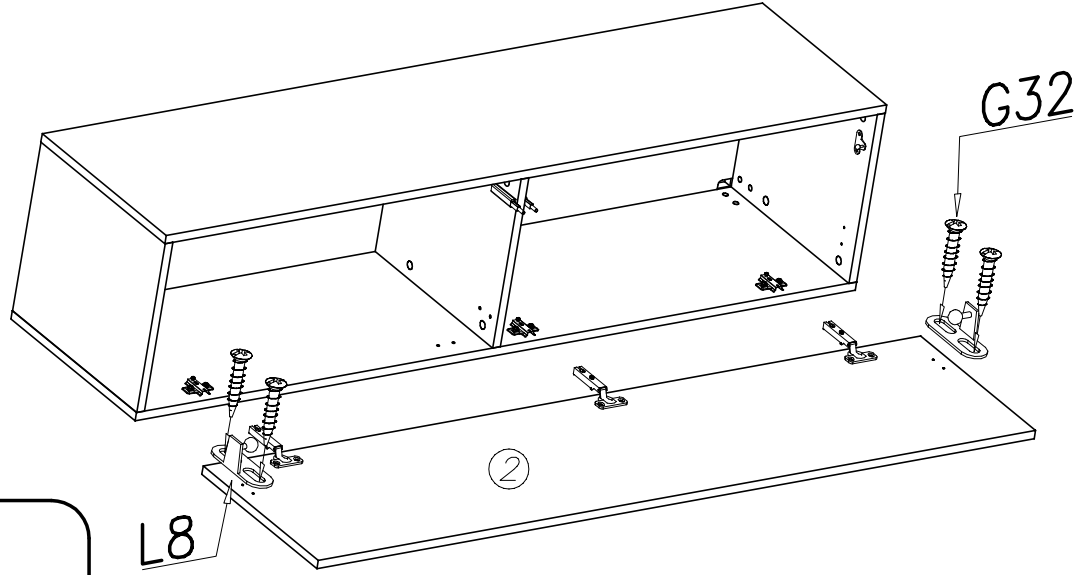
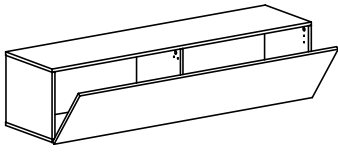
X



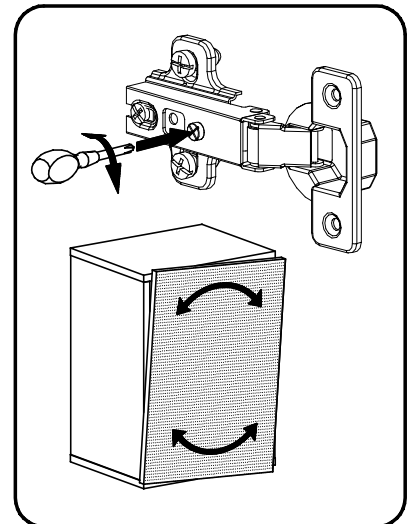
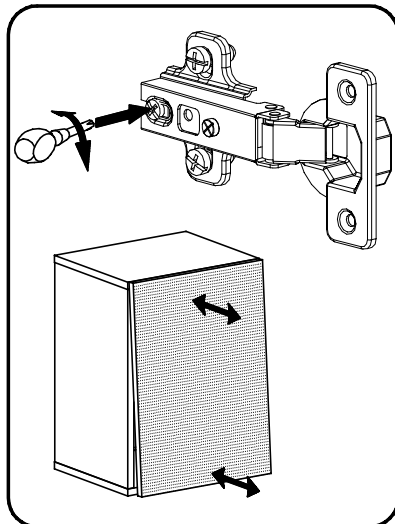
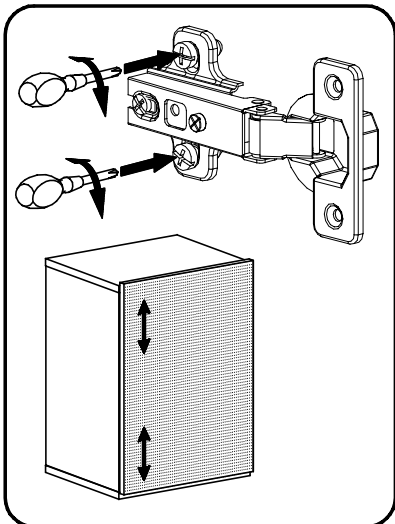
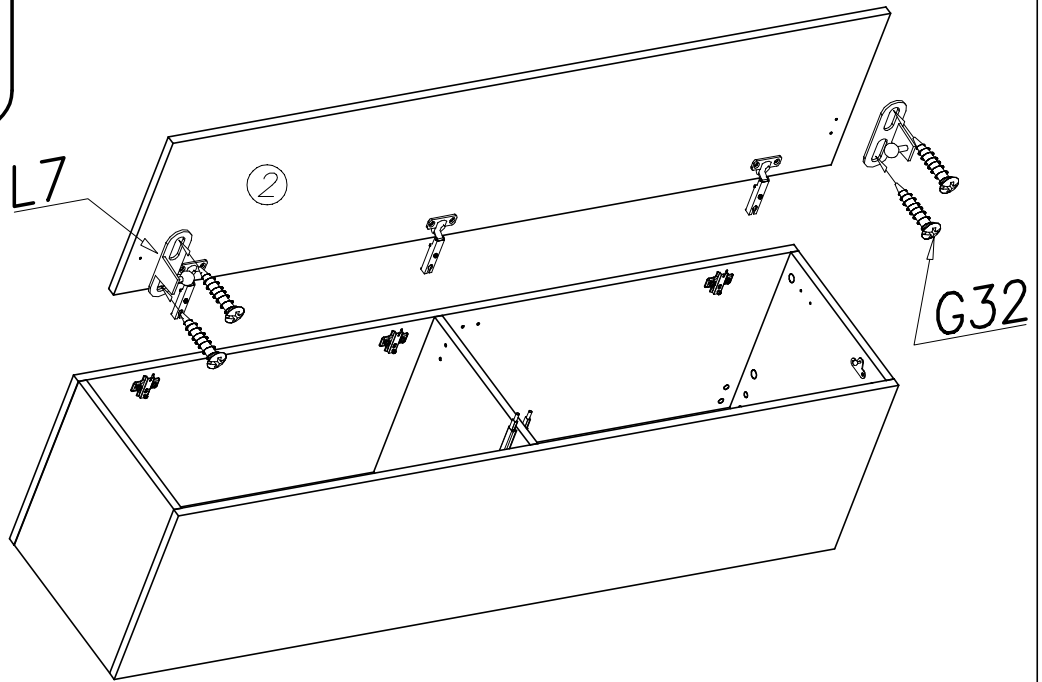
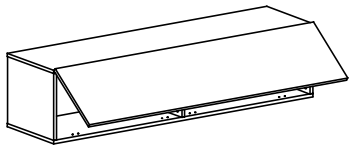
X



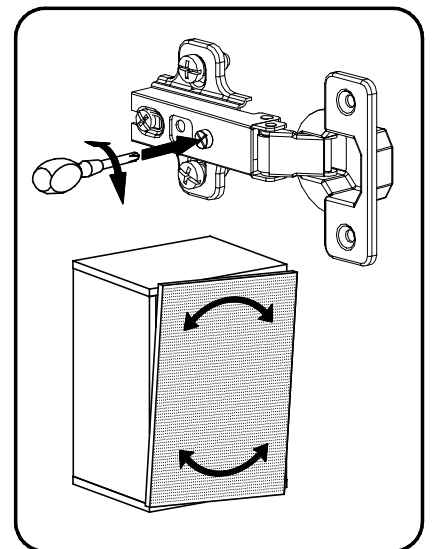
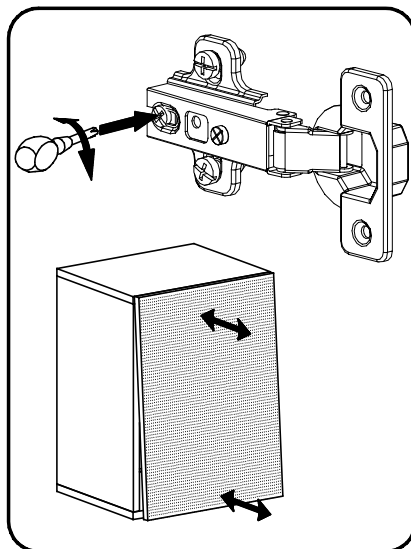
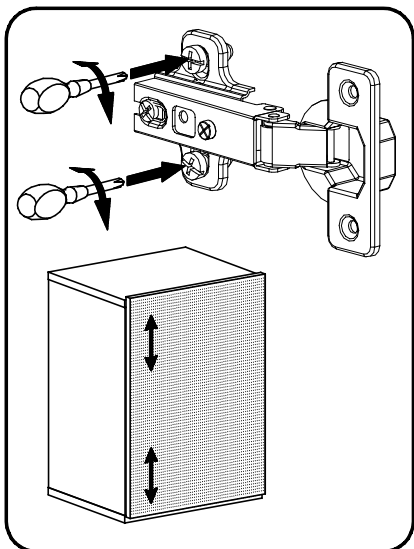
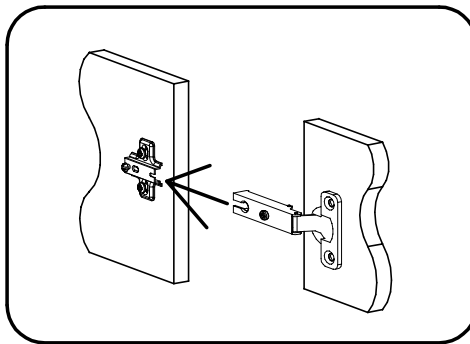
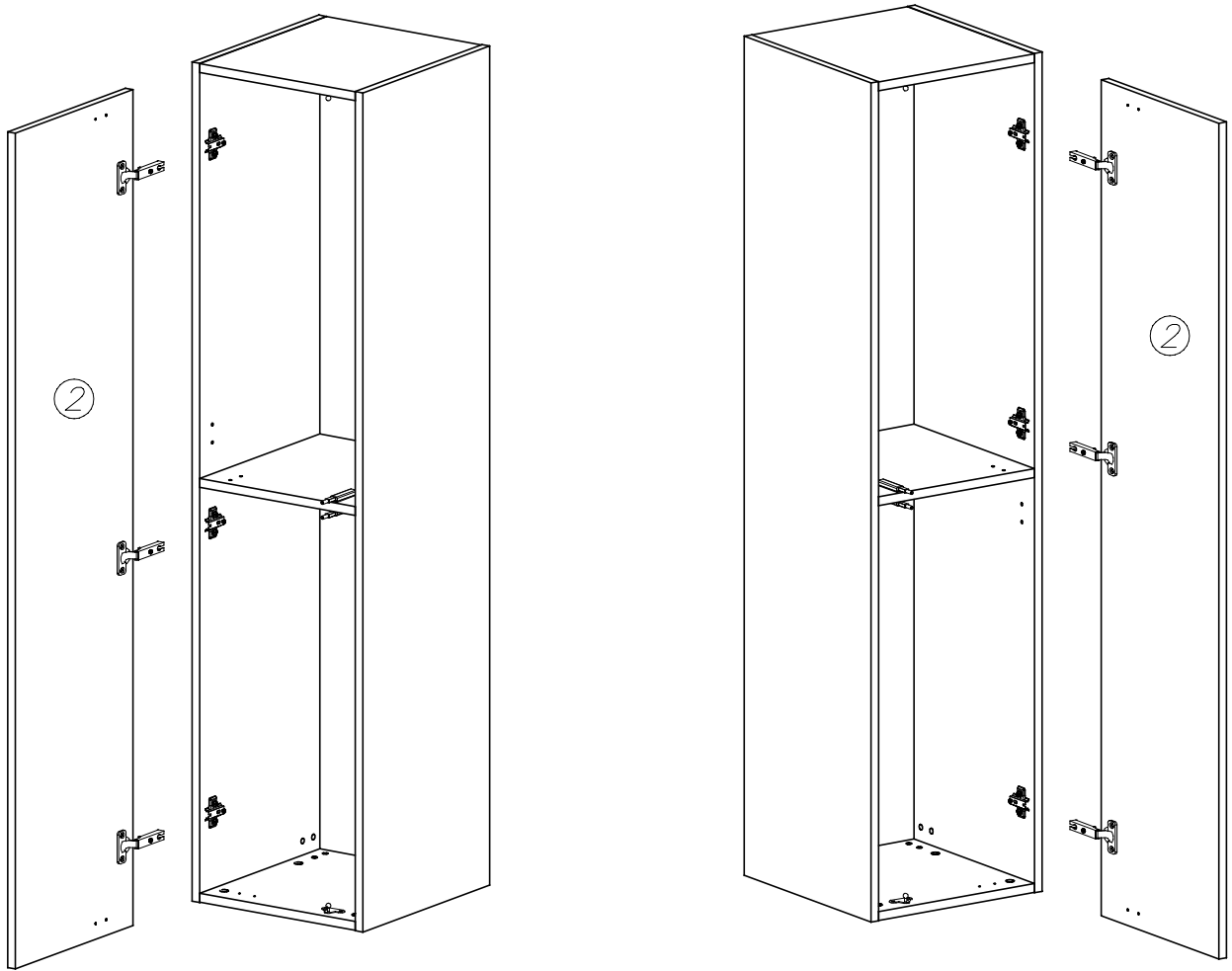
XI



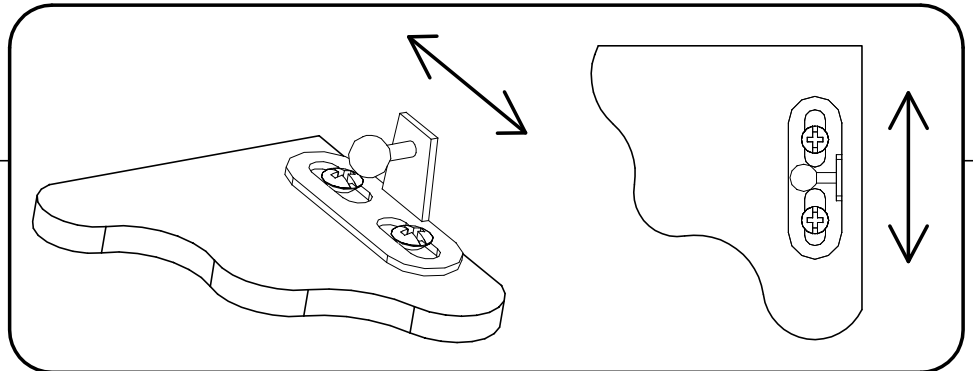
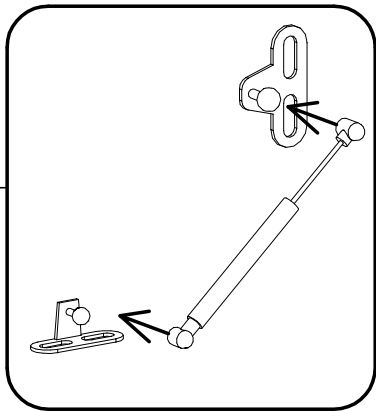
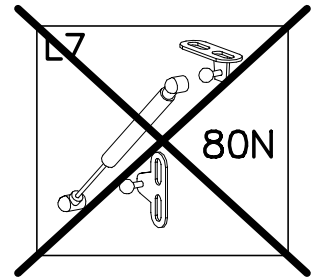
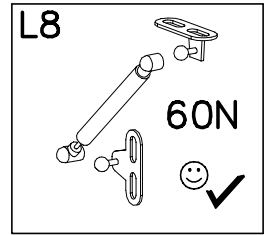
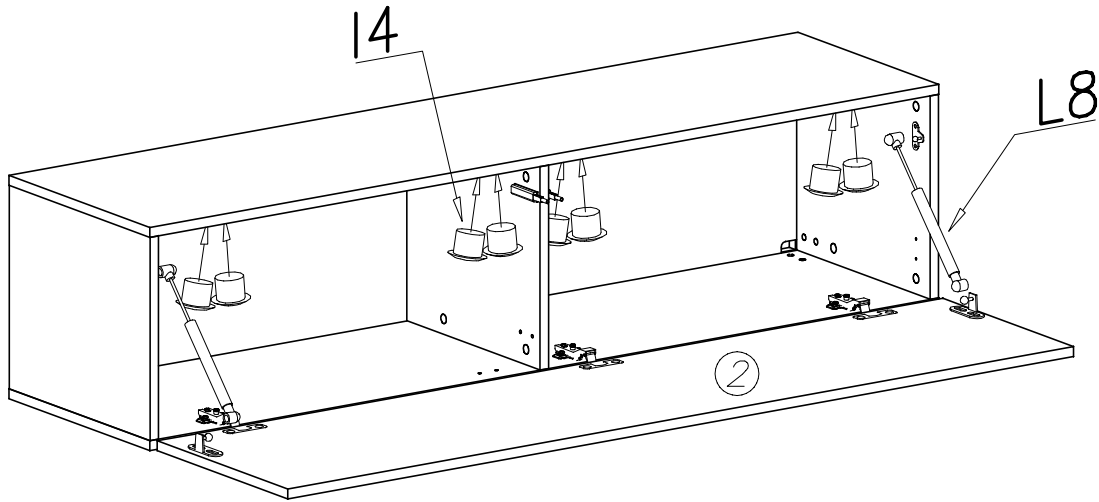
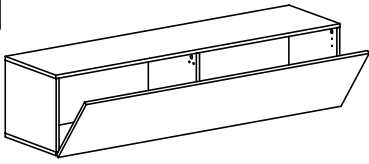
XI



XI



XII



XII

