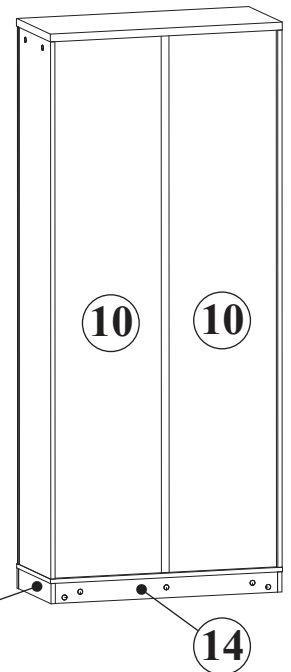
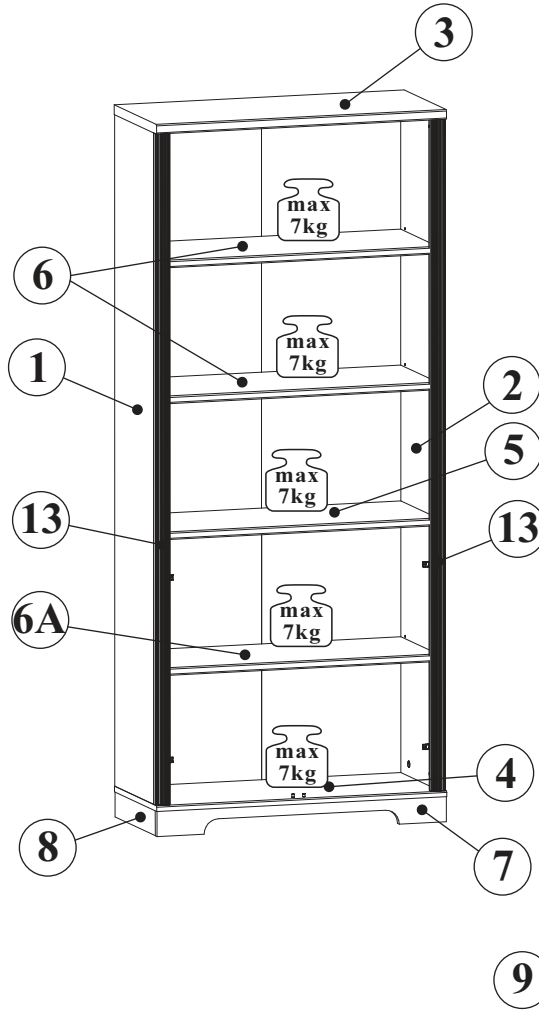
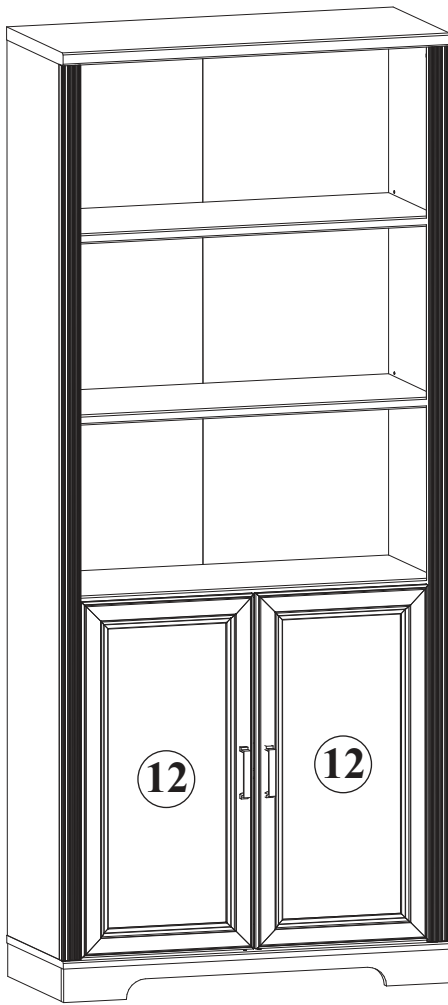
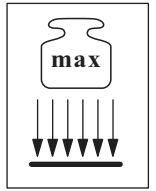
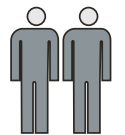


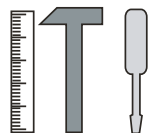
JASMIN 5K 21--03

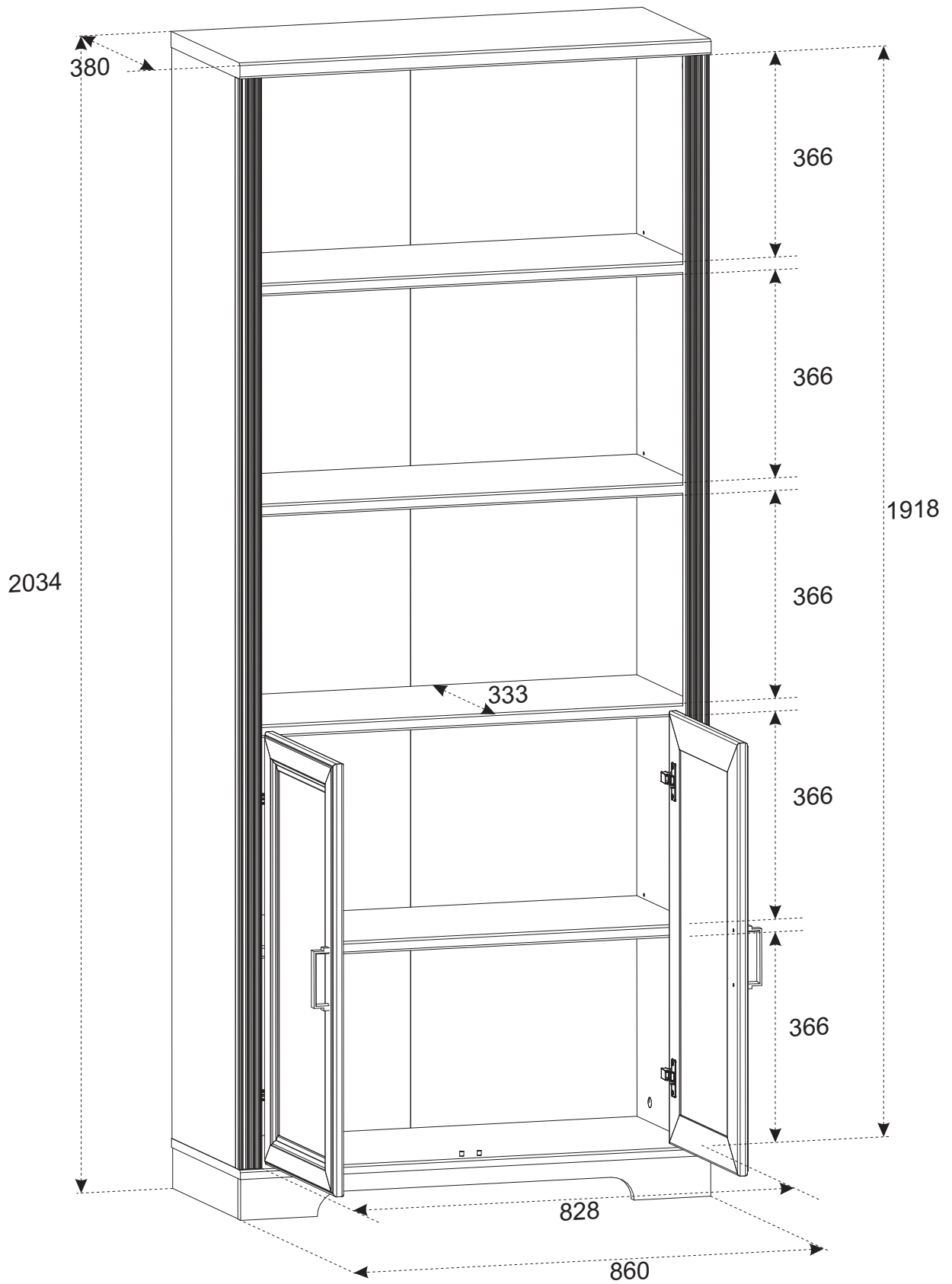


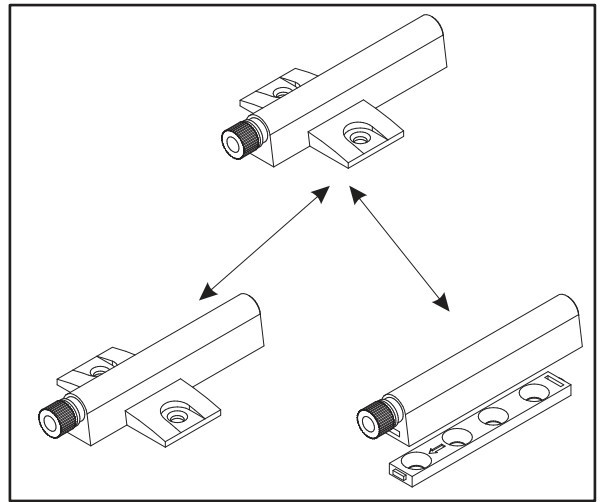
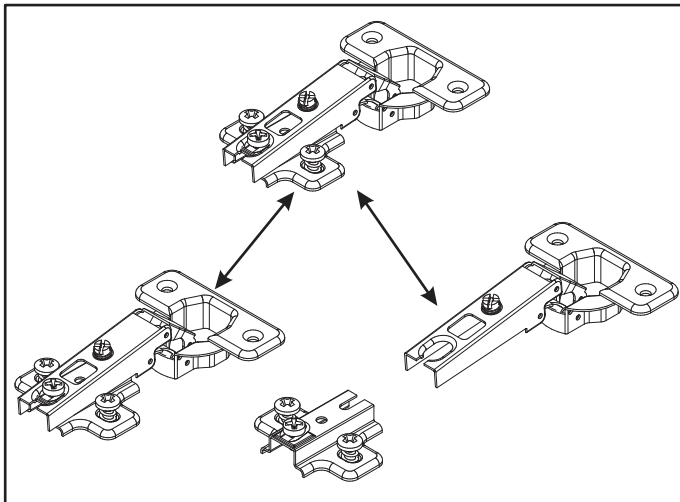
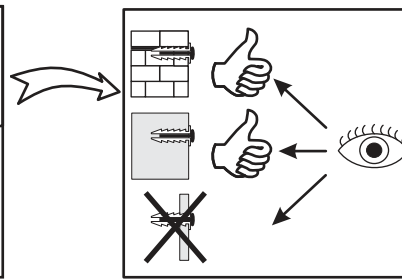
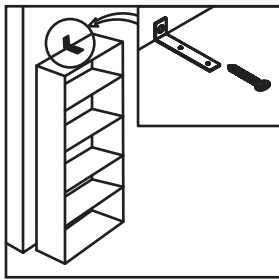
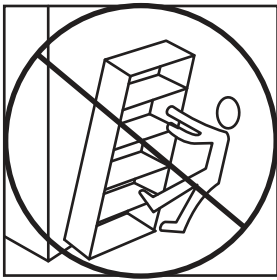
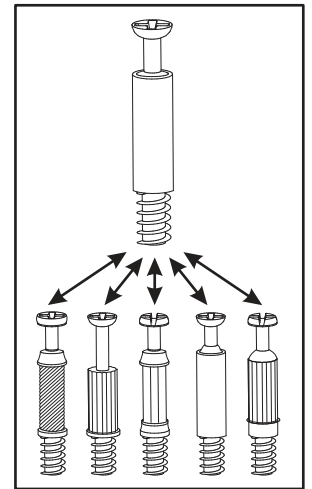
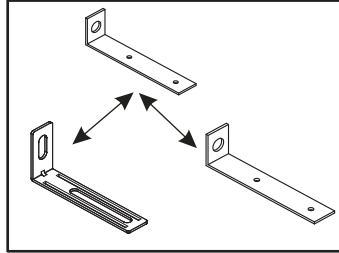
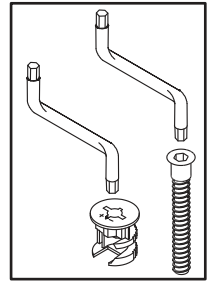
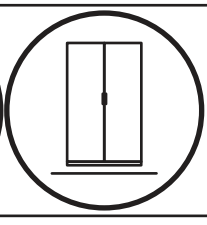
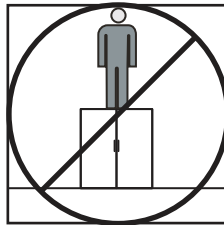
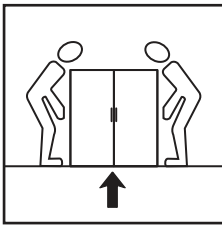
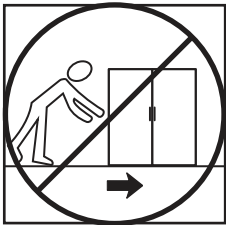
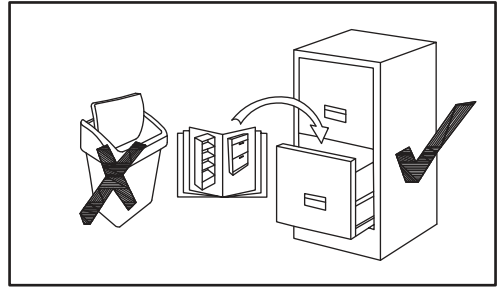
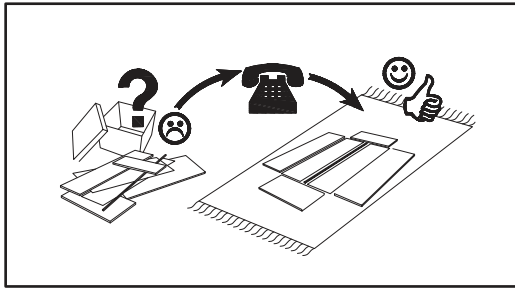
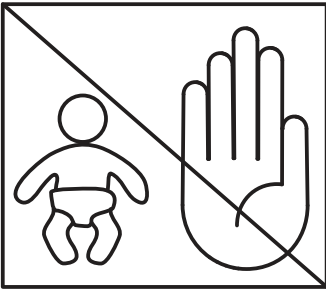
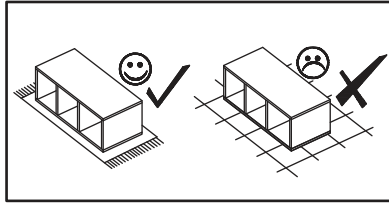
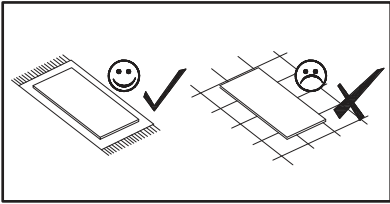
NO	Dim.			Col.-No	Qty
1	1918	353	16	2	1
2	1918	353	16	2	1
4	862	380	16	1	1
3	862	380	28	1	1
5	828	333	22	1	1
6	828	332	22	1	2
6A	828	332	22	1	1
13	1918	43	19	2	2
7	860	72	16	1	1
14	826	72	16	1	1
8	363	72	16	1	1
9	363	72	16	1	1
12	761	383	22	2	2
10	1930	419	3	2	1
11	1930	419	3	2	1



180 min

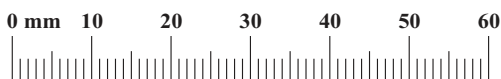
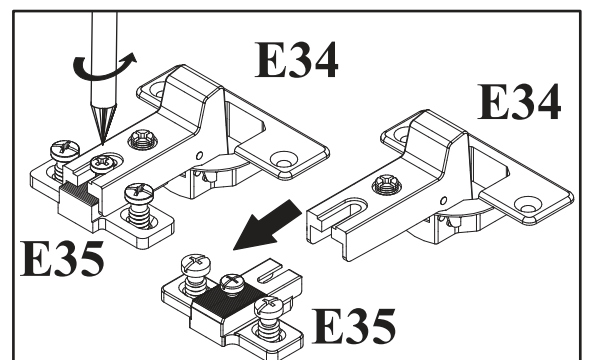
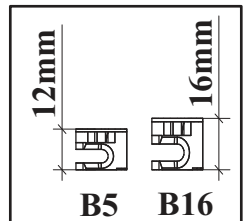




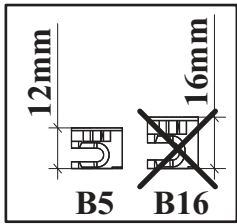


JASMIN 5K 21 -- 03

A1 x36 ø8x36	B4 x33	B5 x29 ø15x12	B16 x4 ø15x16	G5 x33	G7 x12
G20 x2	E35 x4 H=0	E34 x4 Ø35	KM1 x1	C19 x2	D4 x4 M4x30
S1 x16	I2 x4	D10 x12 USØ3,5x13	UP13 x4 UPØ3x16	L1 x1	KR1 x1
G2 x1					



1

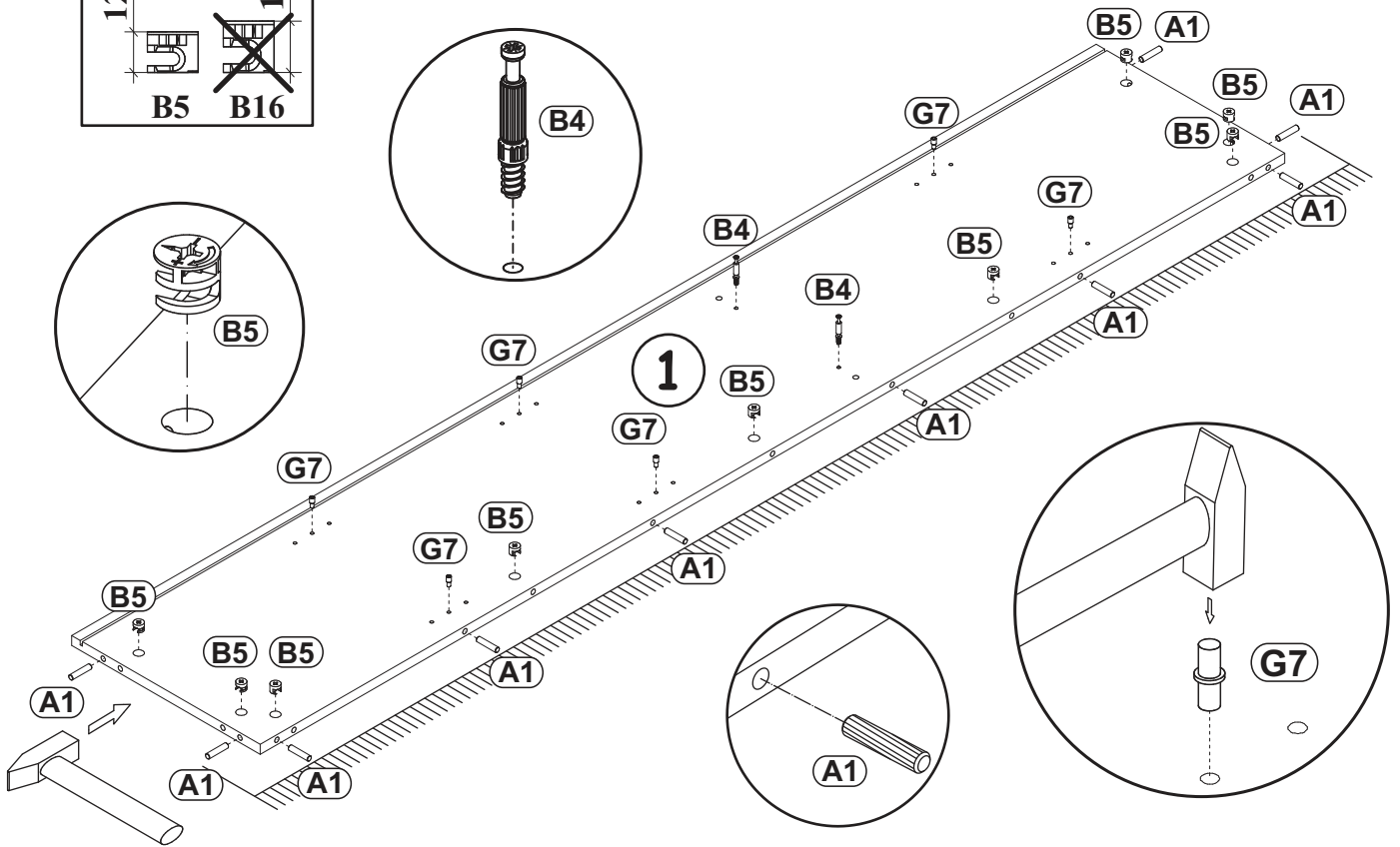


A1	
x10	ø8x36

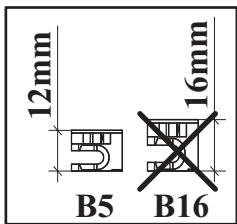
G7	
x6	

B5	
x9	ø15x12

B4	
x2	



2

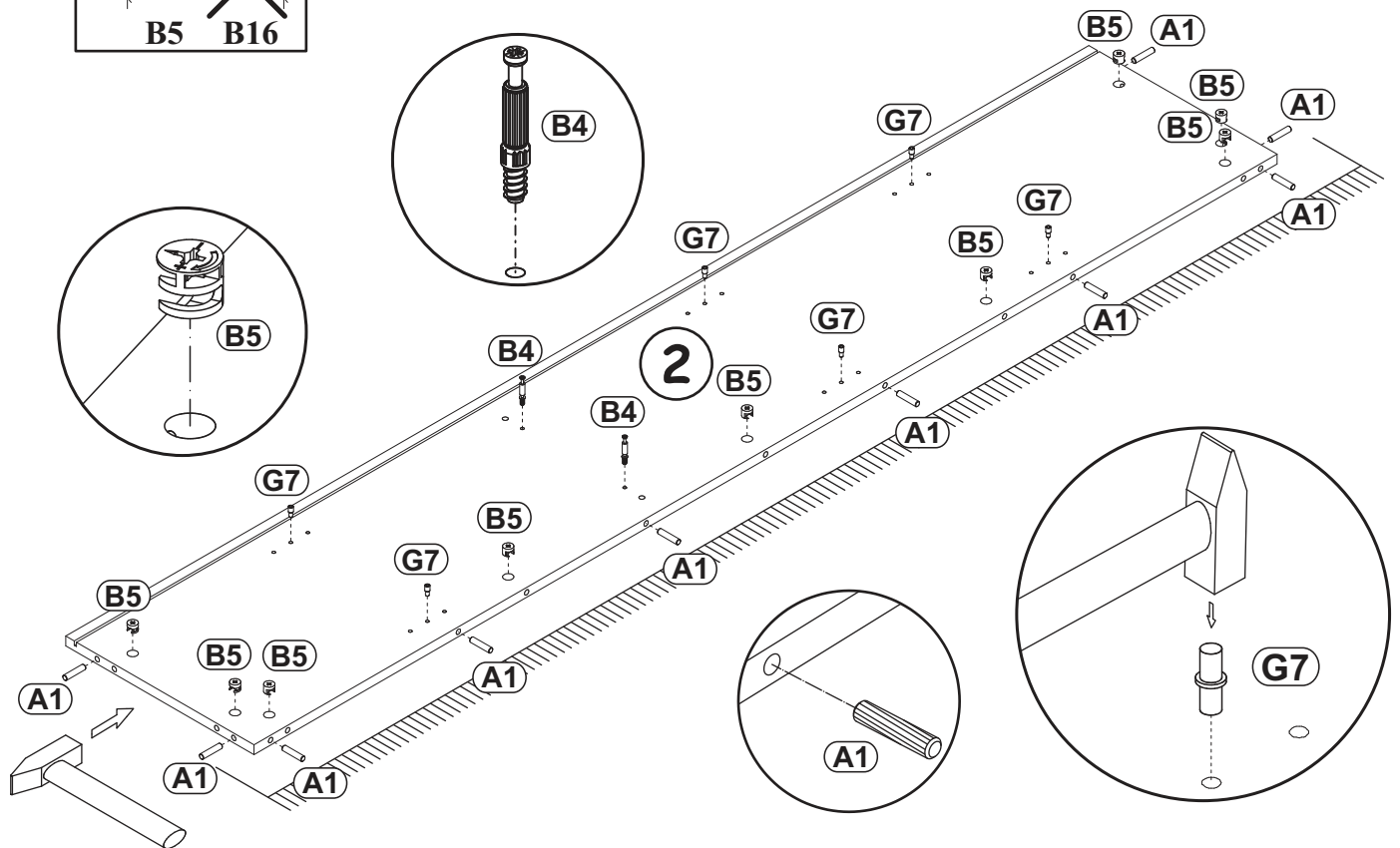


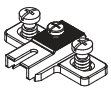
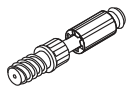
A1	
x10	ø8x36

G7	
x6	

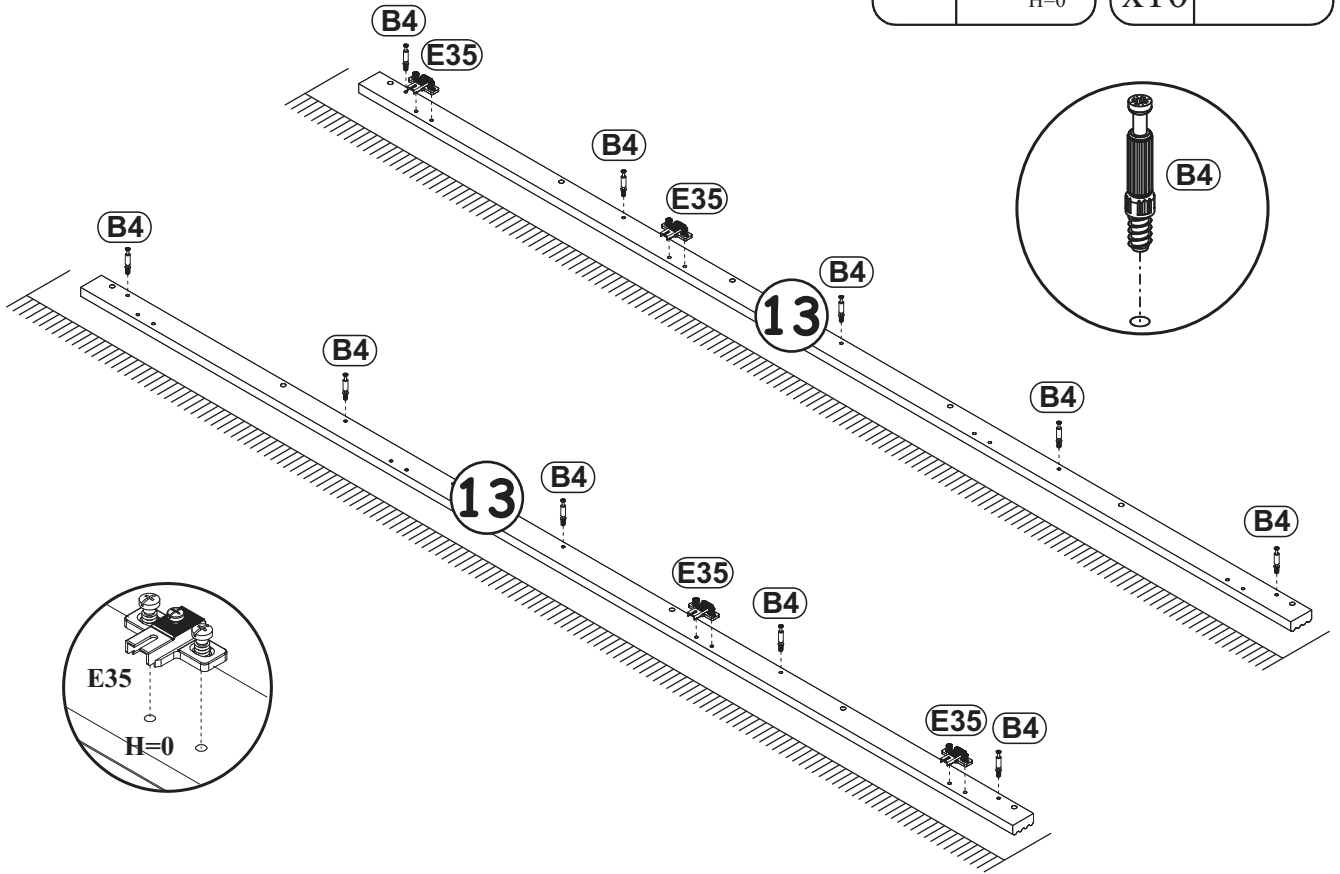
B5	
x9	ø15x12

B4	
x2	


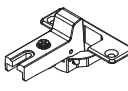


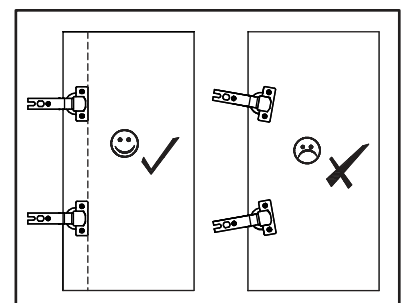
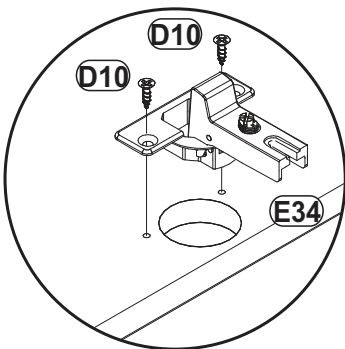
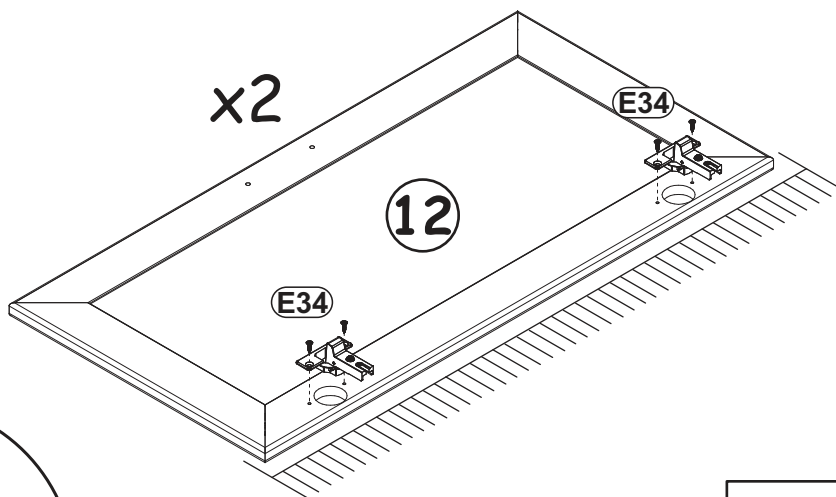
E35		B4	
x4	H=0	x10	

5



6

D10		E34	
x8	USØ3,5x13	x4	Ø35

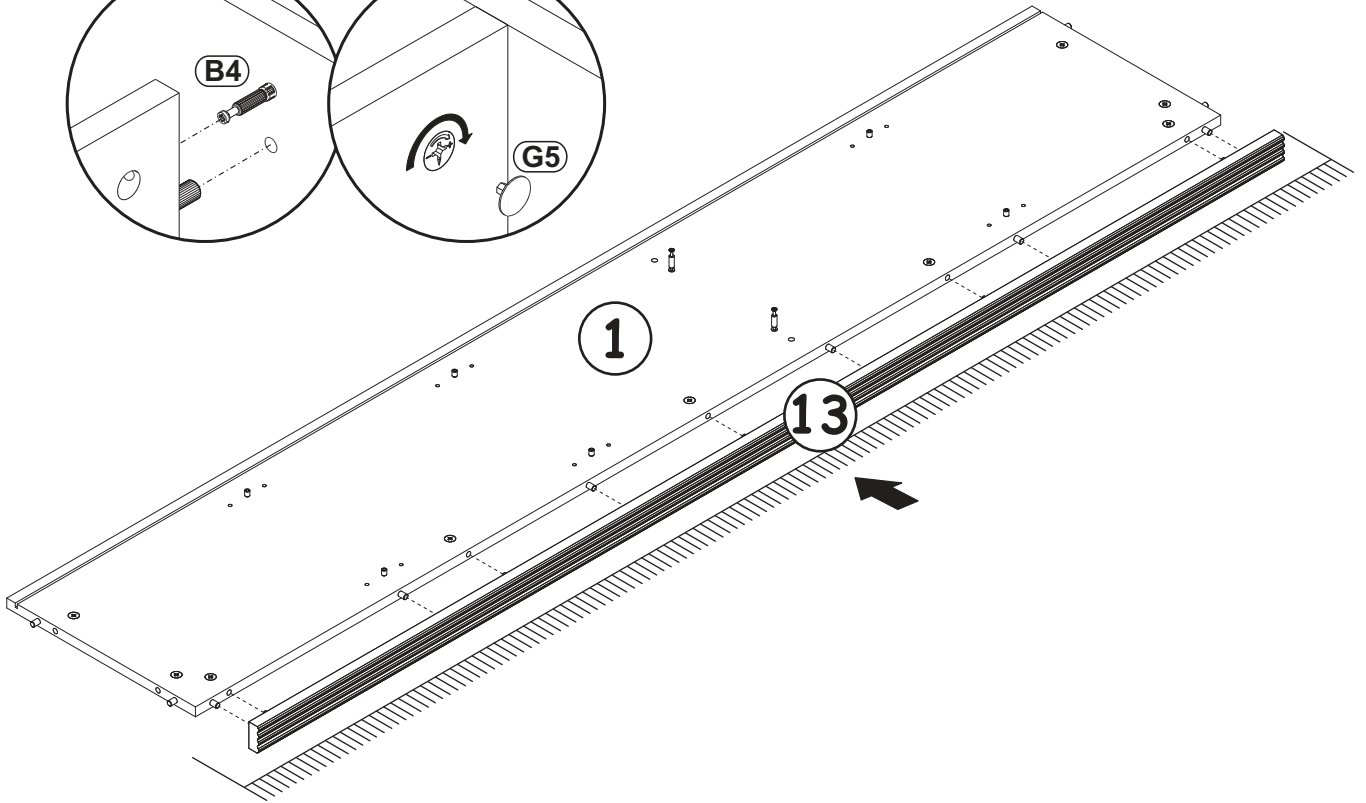
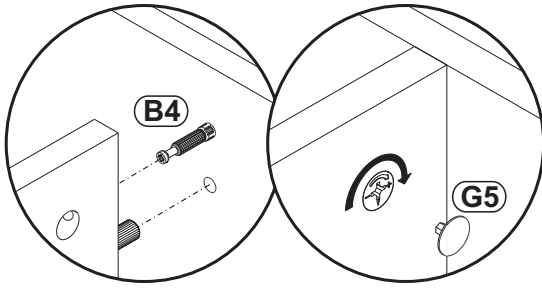


G5

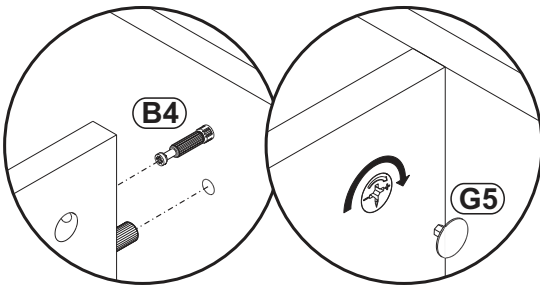
x5



7

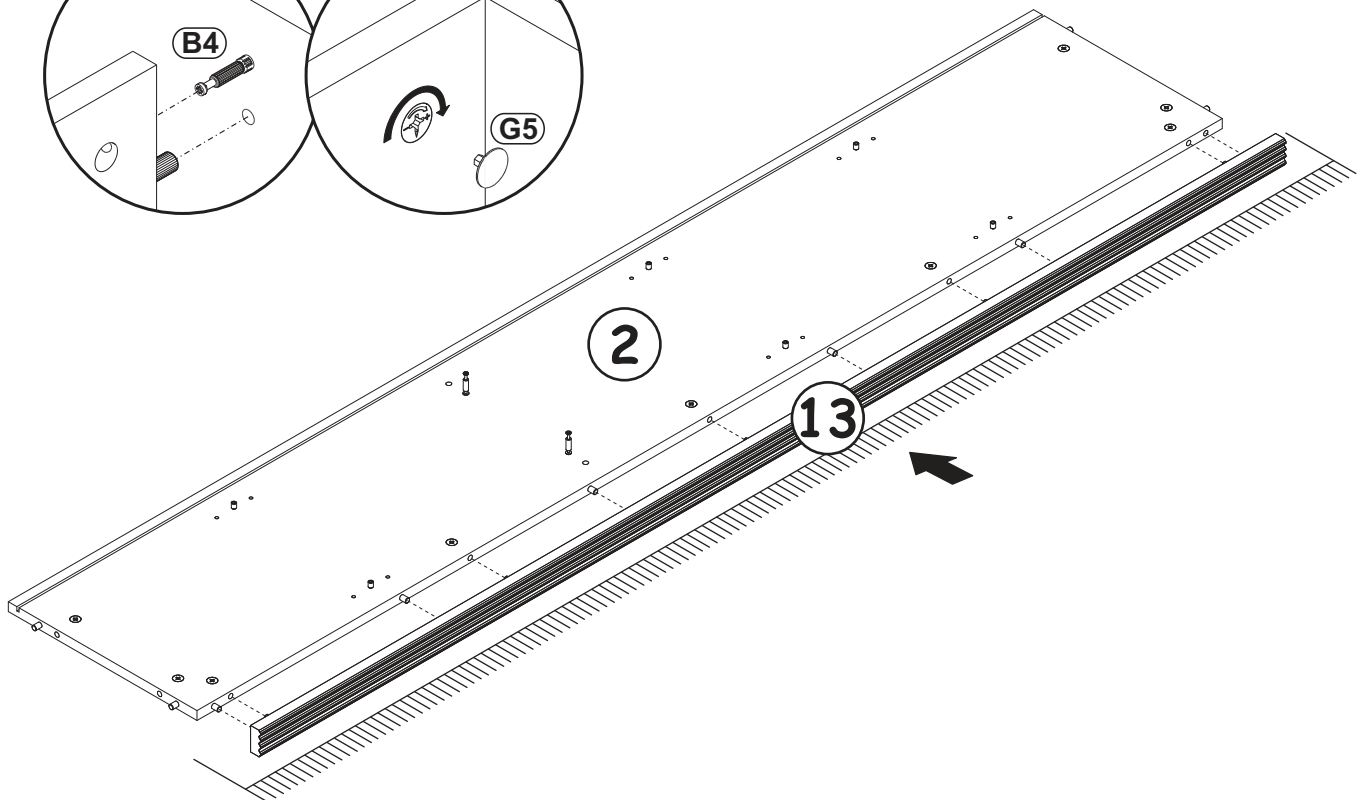


8

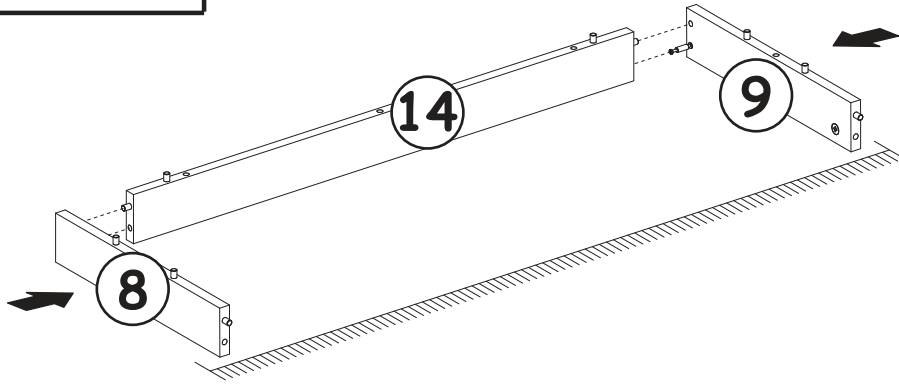


G5

x5

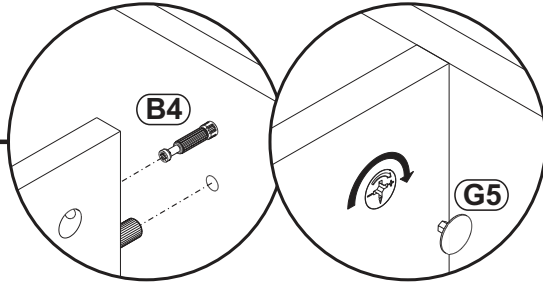


9

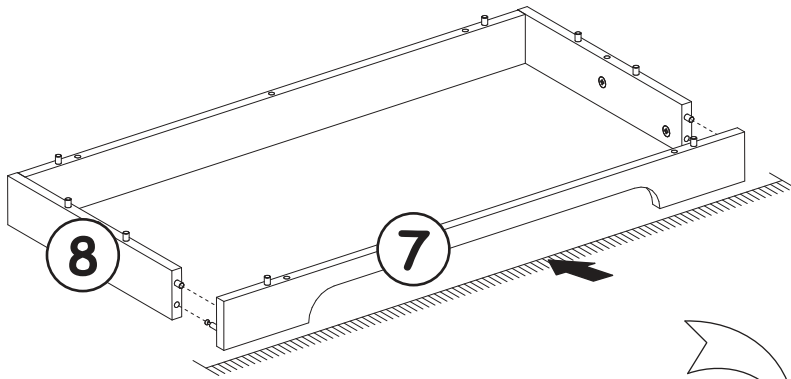


G5	
x2	

10

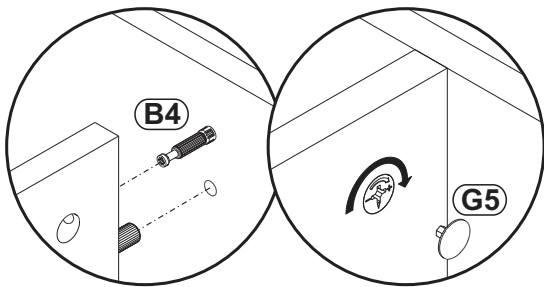


G5	
x2	

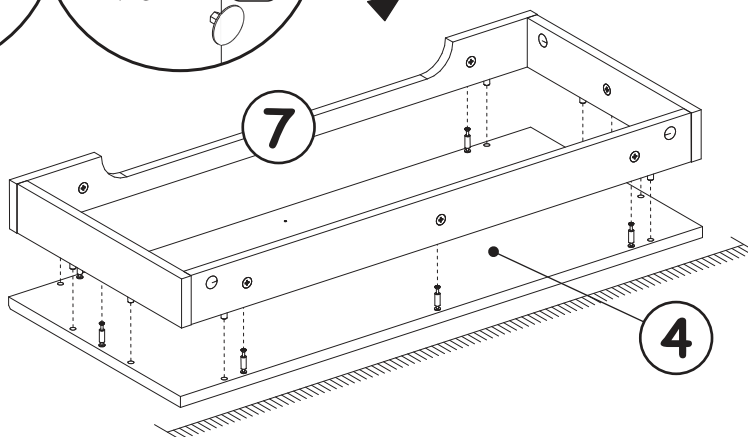


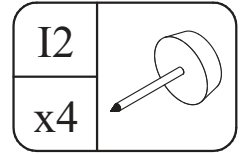
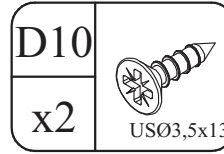
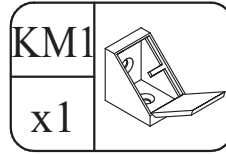
180°

11

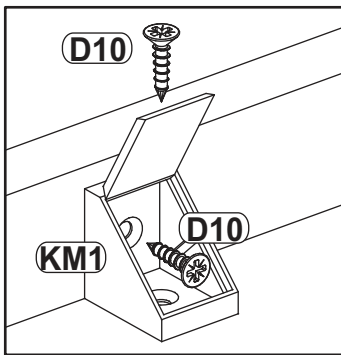
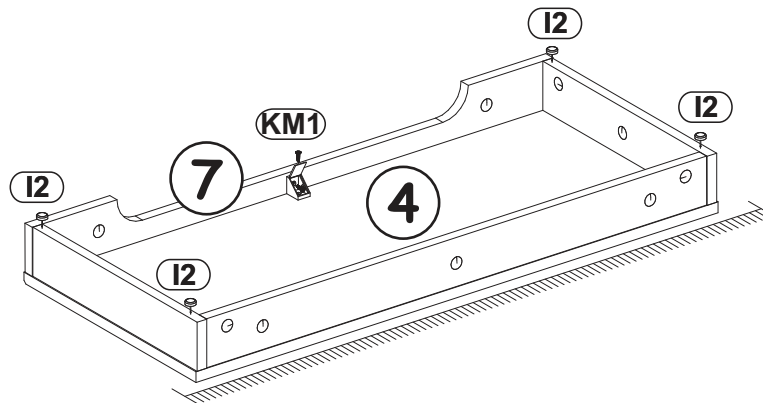


G5	
x7	

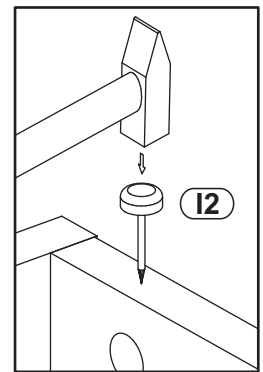




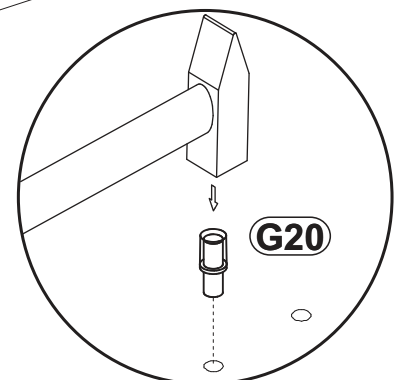
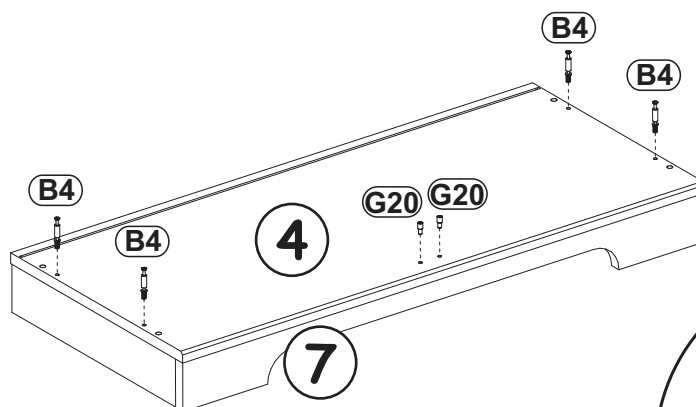
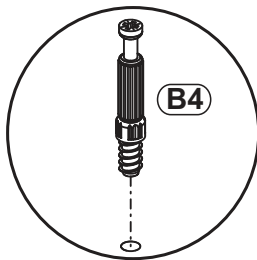
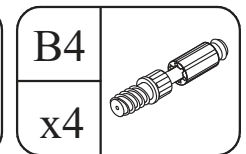
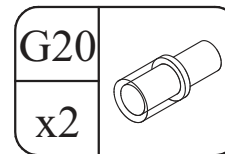
12



180°



13

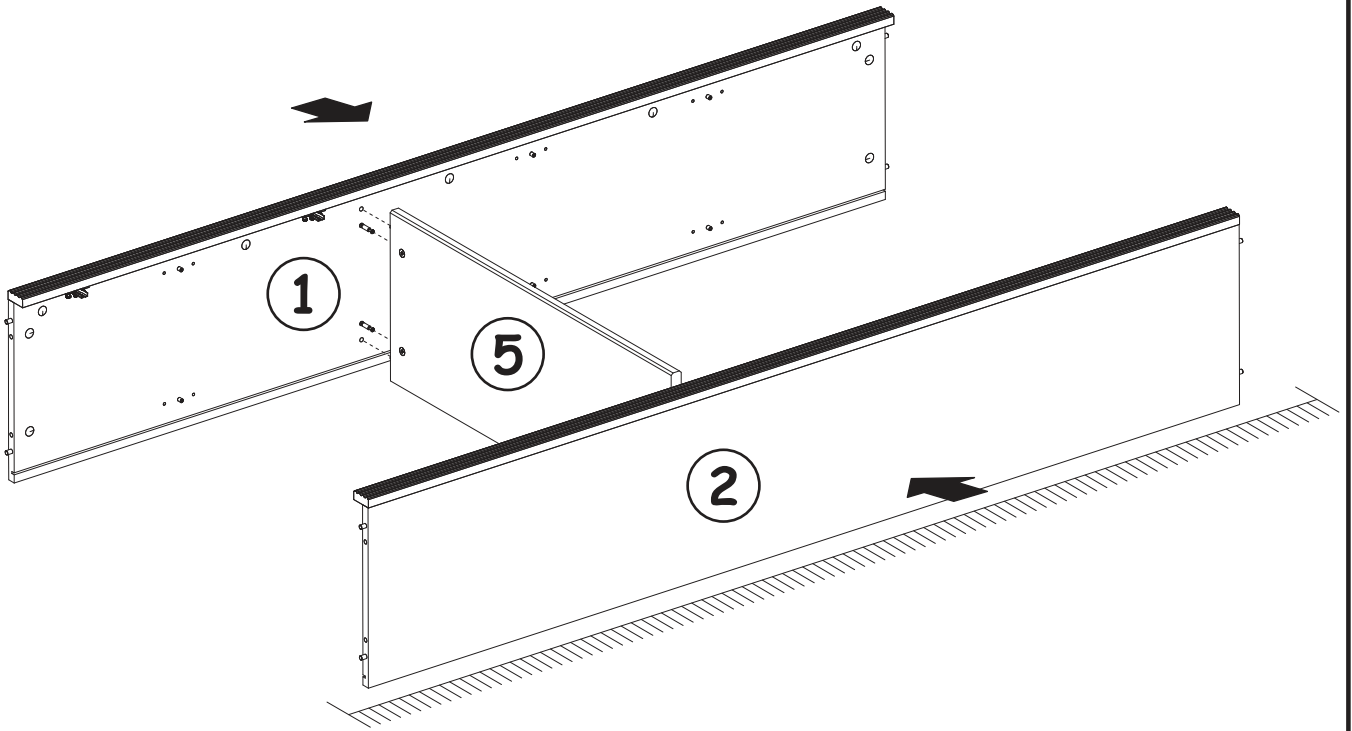


G5

x4



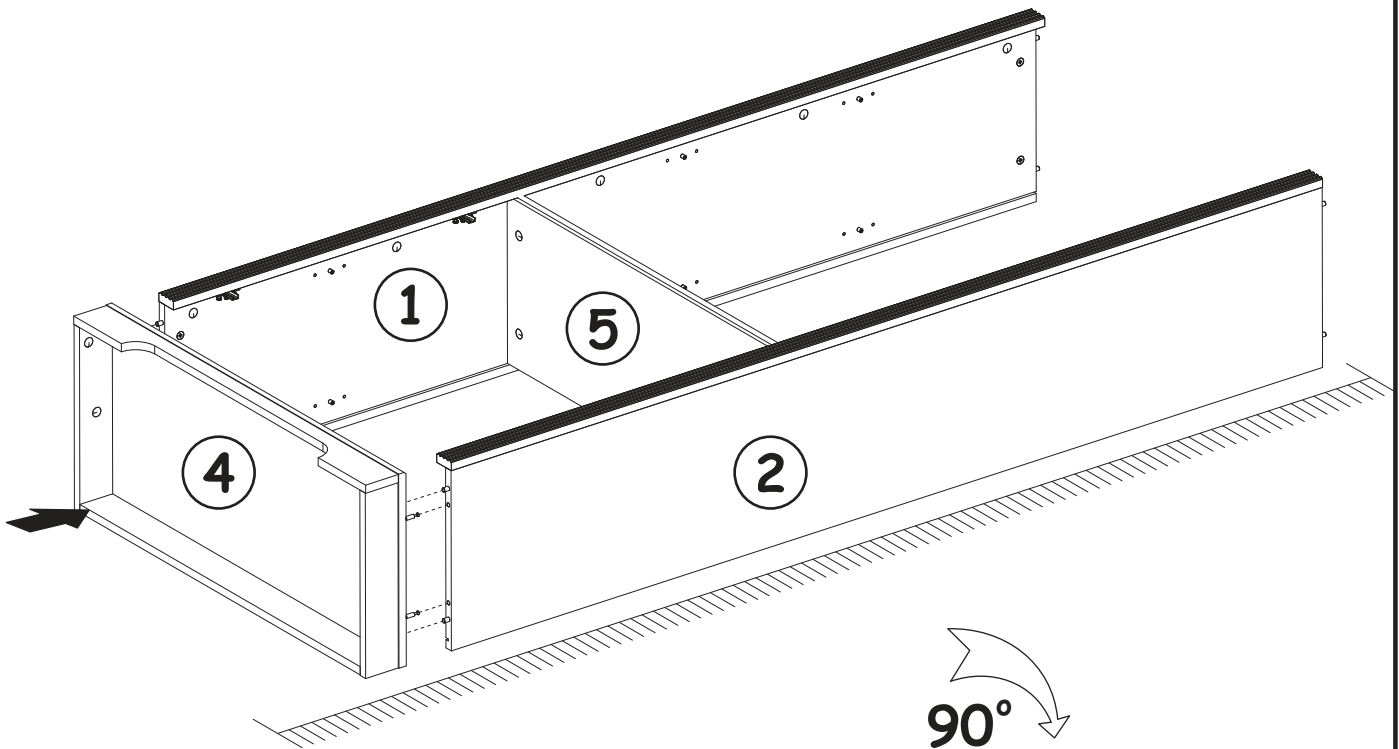
14



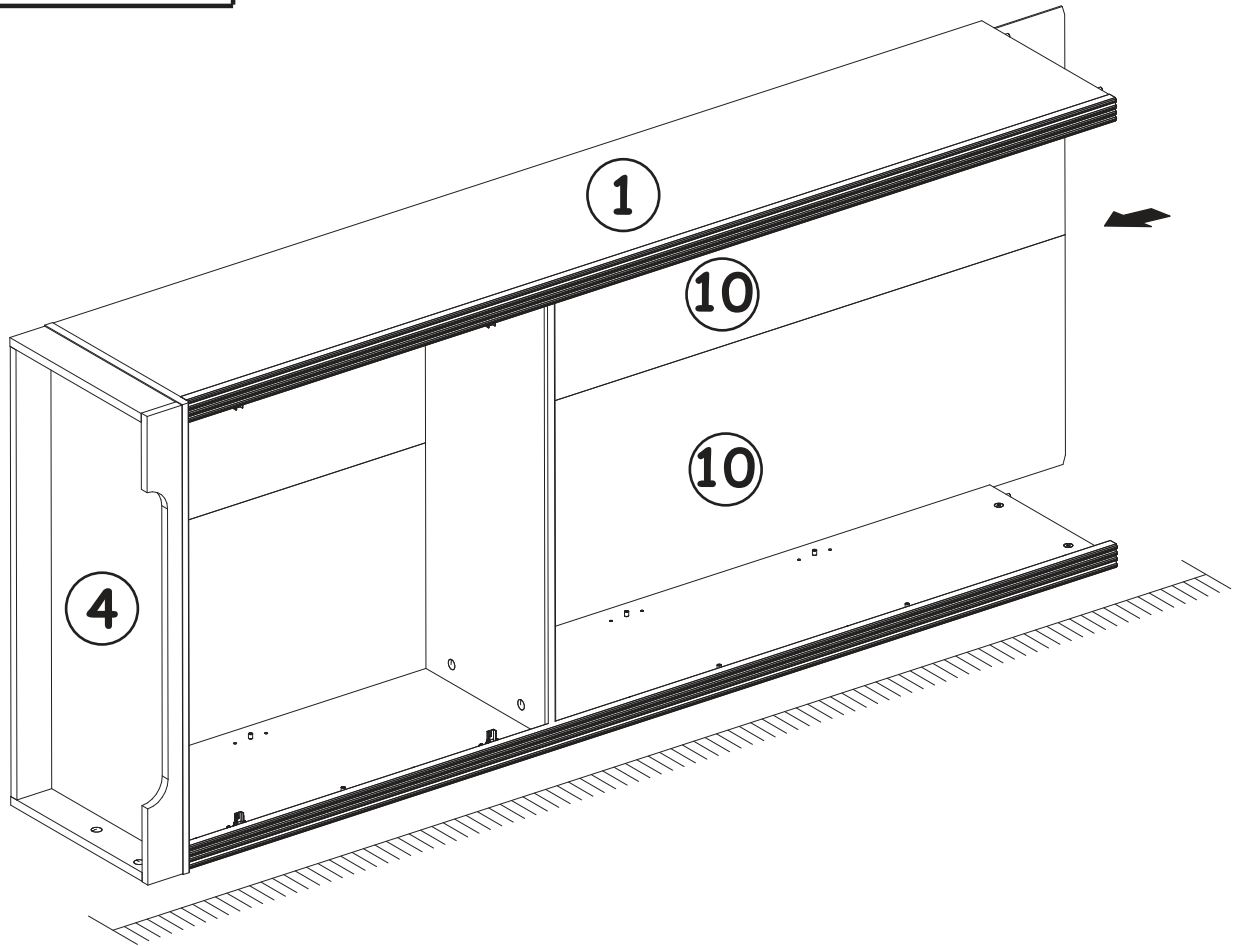
15

G5

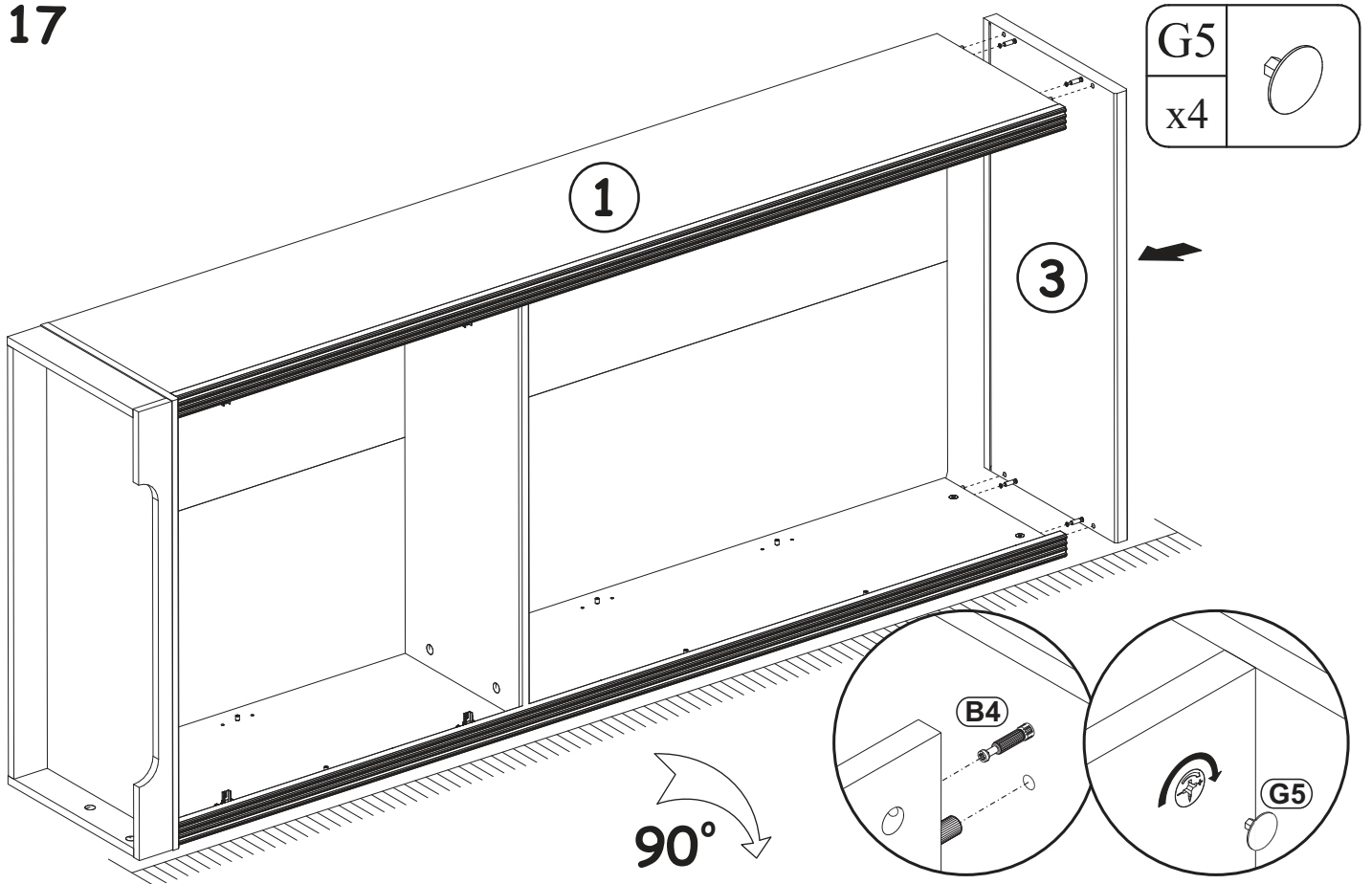
x4



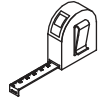
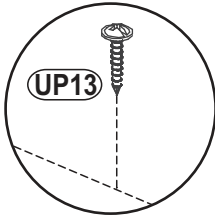
16



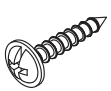
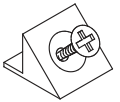
17

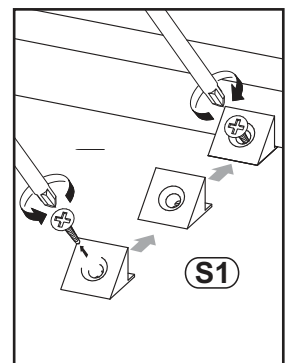
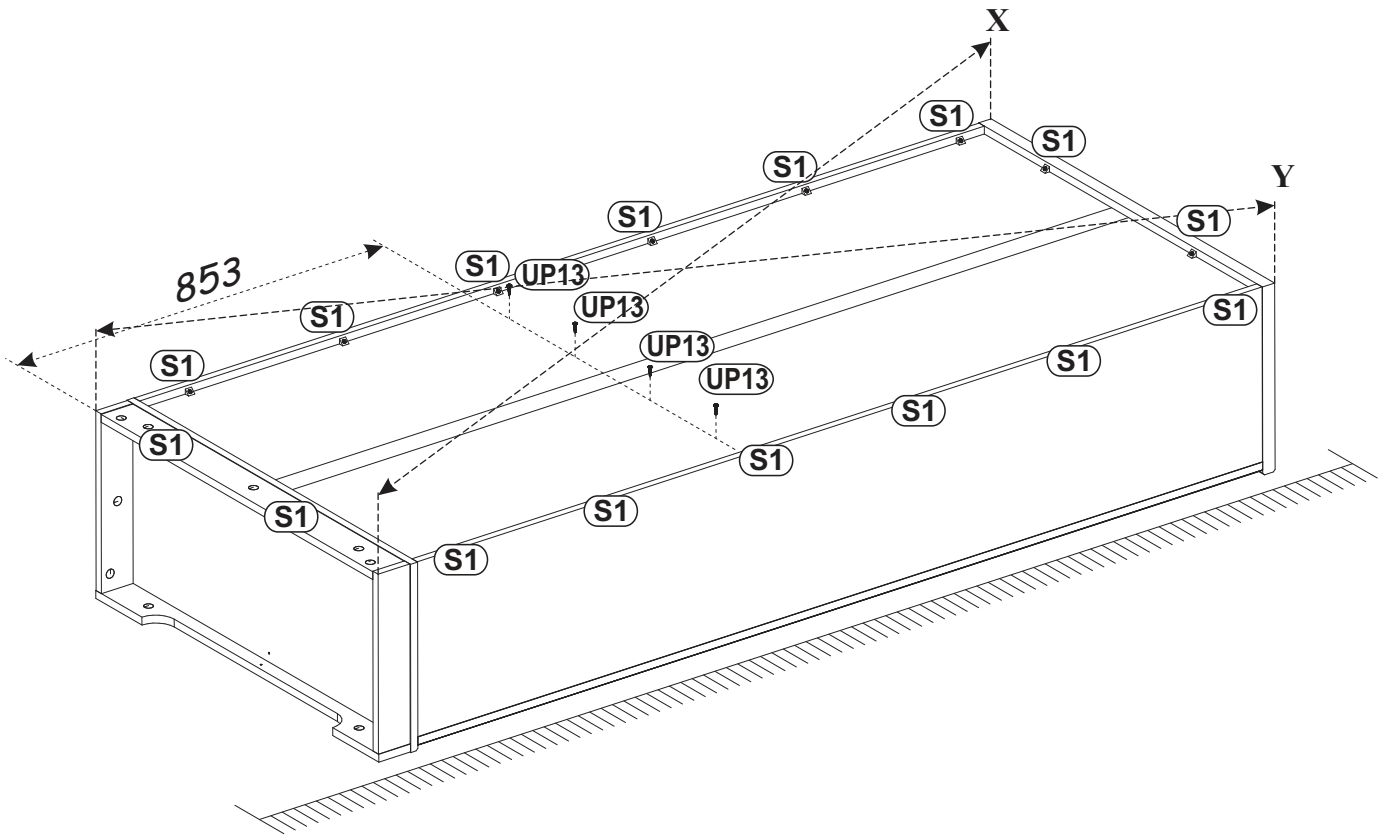



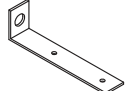

18



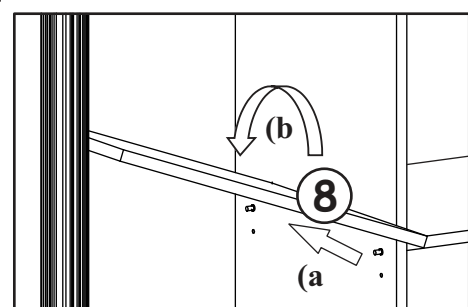
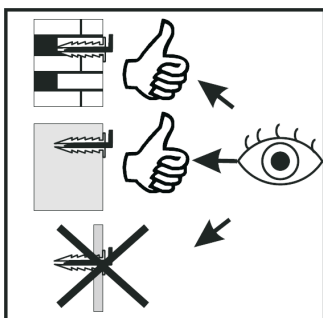
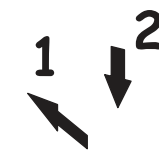
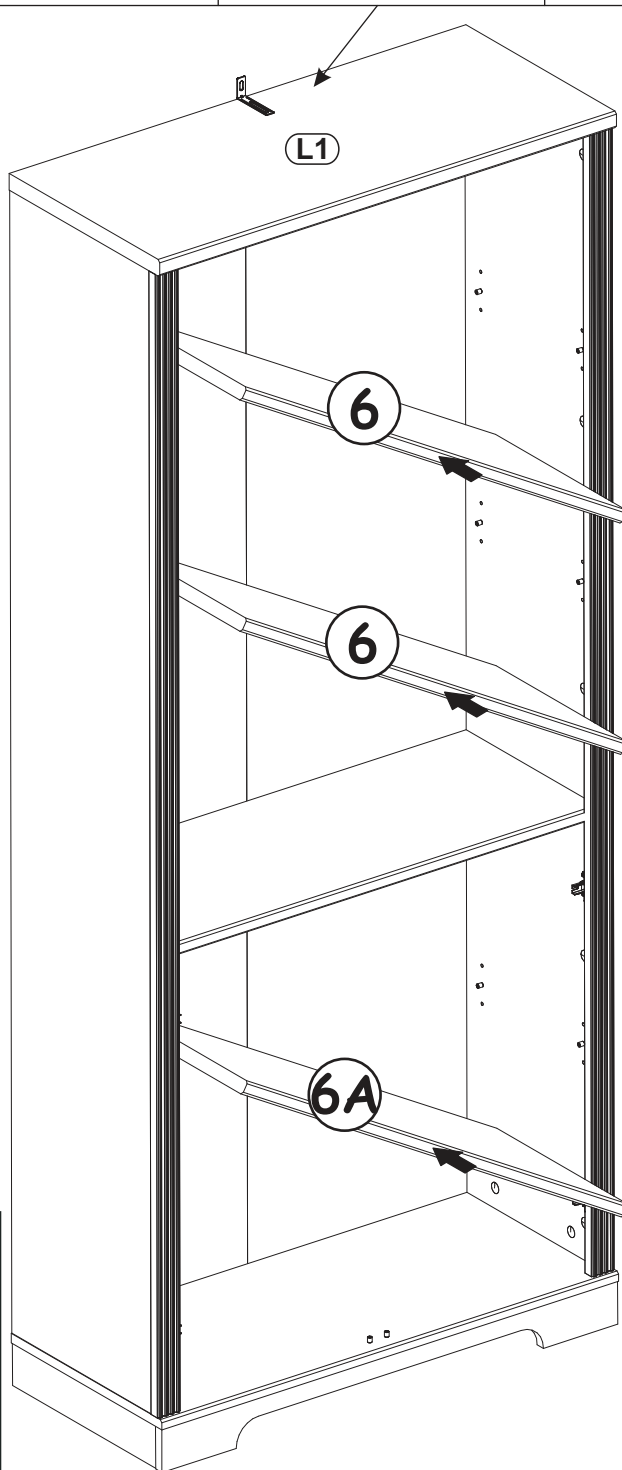
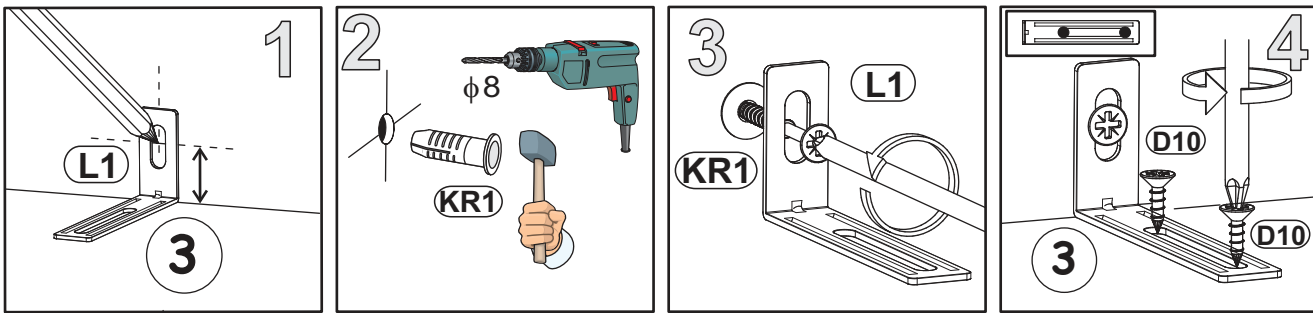
$X=Y$ 90°

UP13	 UP03x16	S1	
x4		x16	

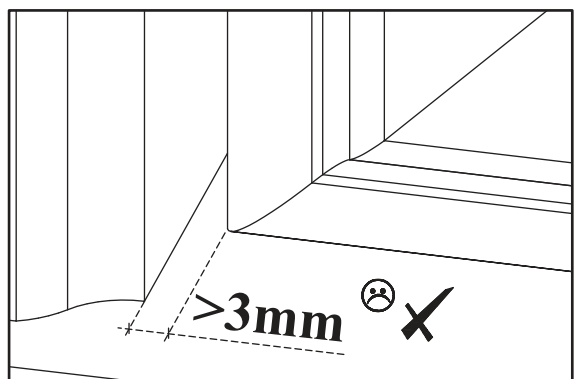
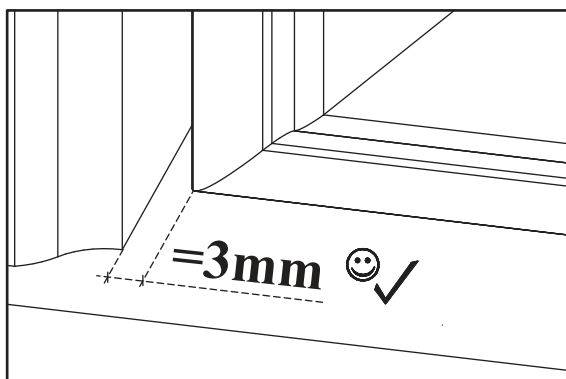
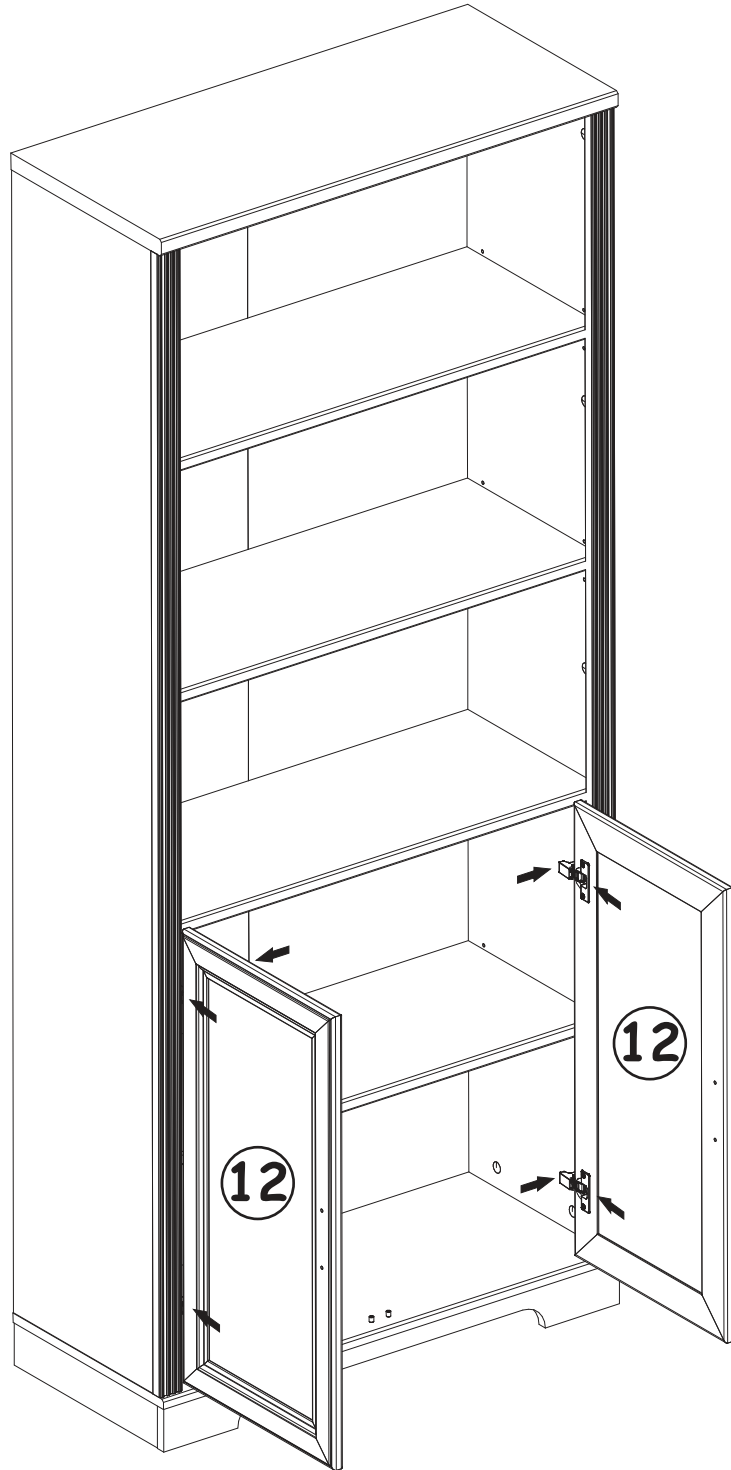
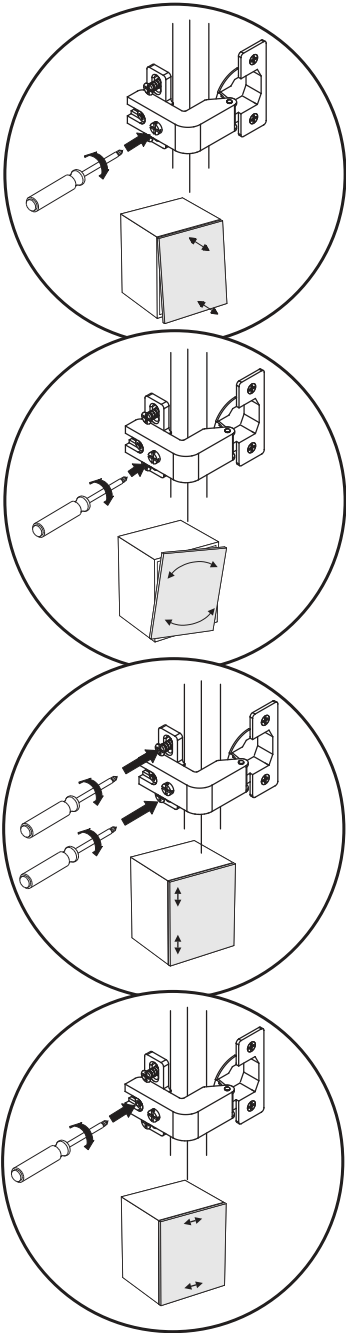


D10		L1		KR1	
x2	USØ3,5x13	x1		x1	

19



20



21

