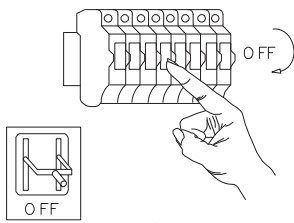


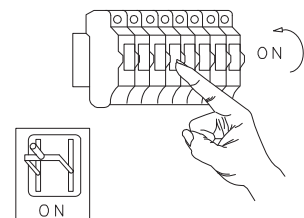
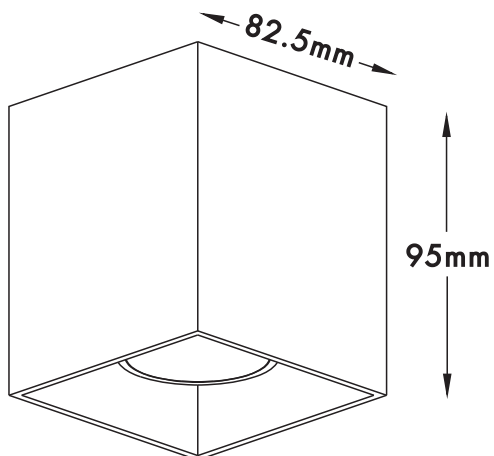
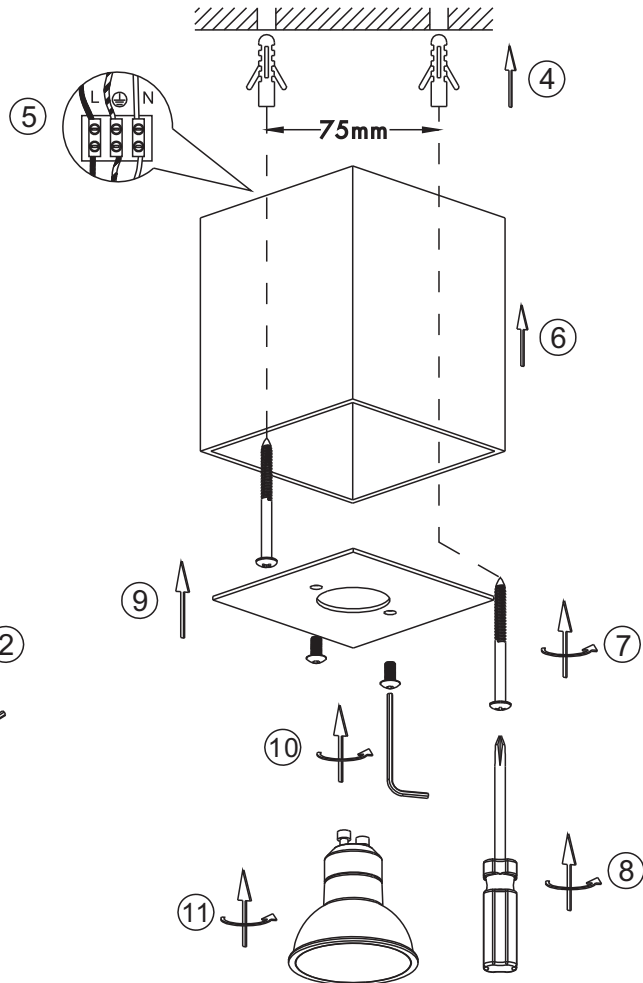
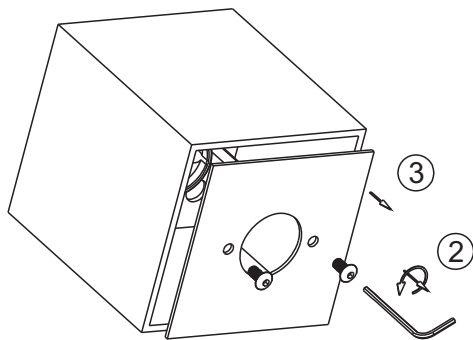
INSTRUCTION MANUAL



Qubo SL 1



1



12