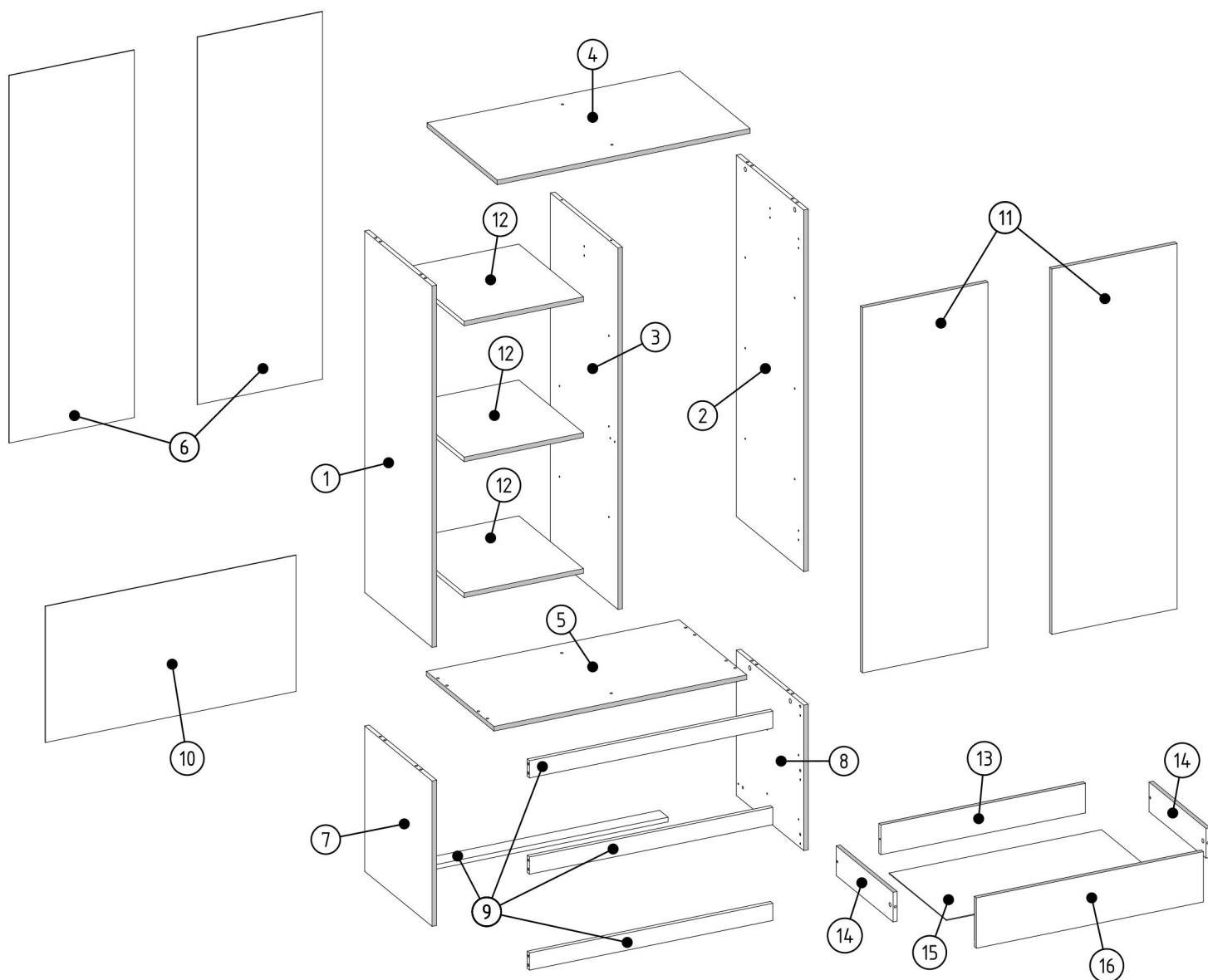


P4 L=400mm x2	T1 	B1 x5	S6 2,5x20mm x20
-----------------------------	---------------	---------------------	-------------------------------

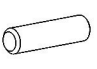



N1 L=35mm x20	F1 7x50mm x12	F3 Hex 4mm x1	A1 ZP x4	S1 3,5x16mm x16	Z1 x100	V15 x20	V13 x1
-----------------------------	-----------------------------	-----------------------------	------------------------	-------------------------------	-----------------------	-----------------------	----------------------

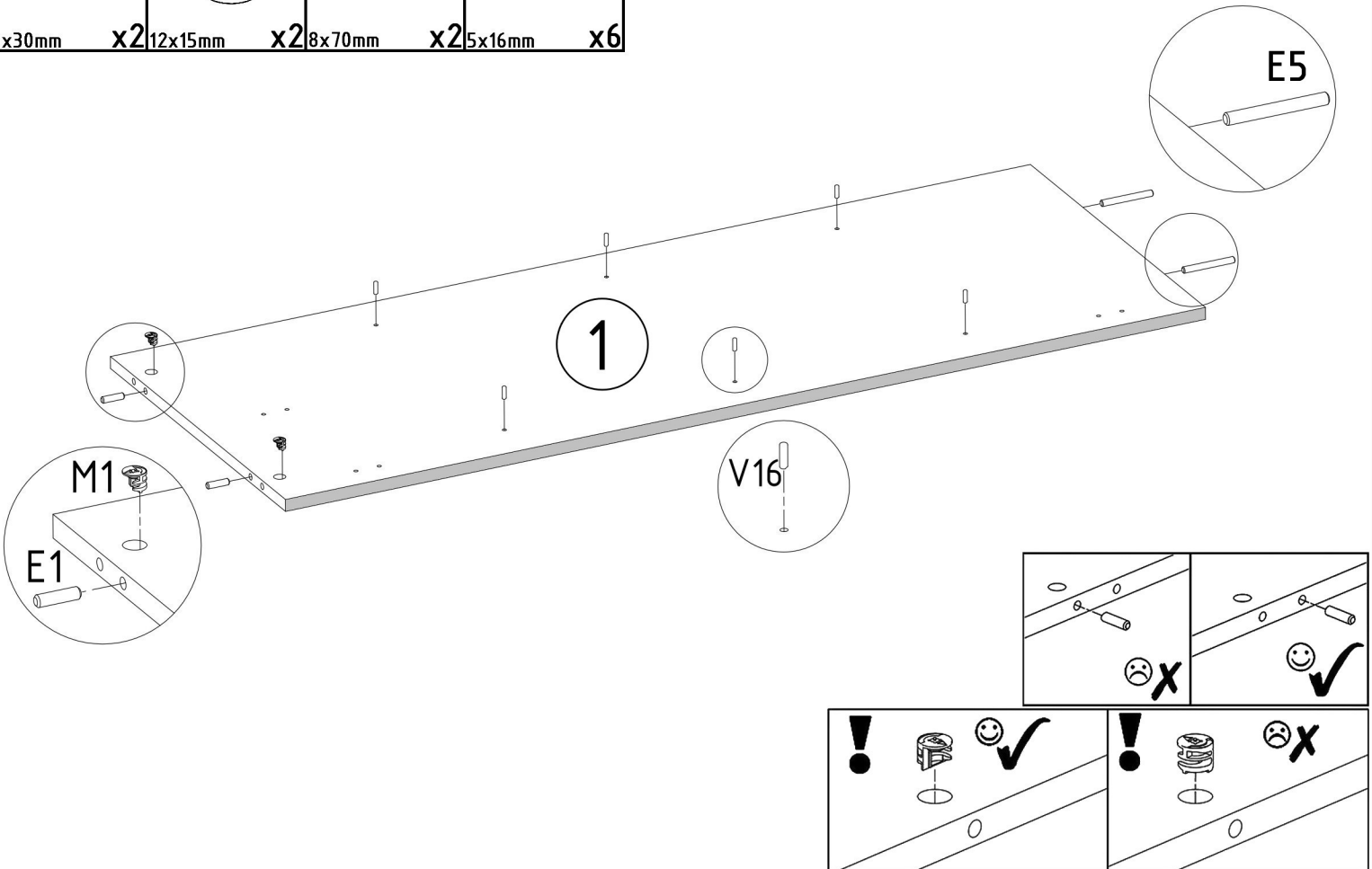
E1 8x30mm x12	M1 12x15mm x20	E5 8x70mm x4	V16 5x16mm x12	V19 x2	V8 L=414mm x1	R1 6x8mm x12	V7 x2
-----------------------------	------------------------------	----------------------------	------------------------------	----------------------	-----------------------------	----------------------------	---------------------

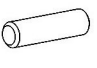





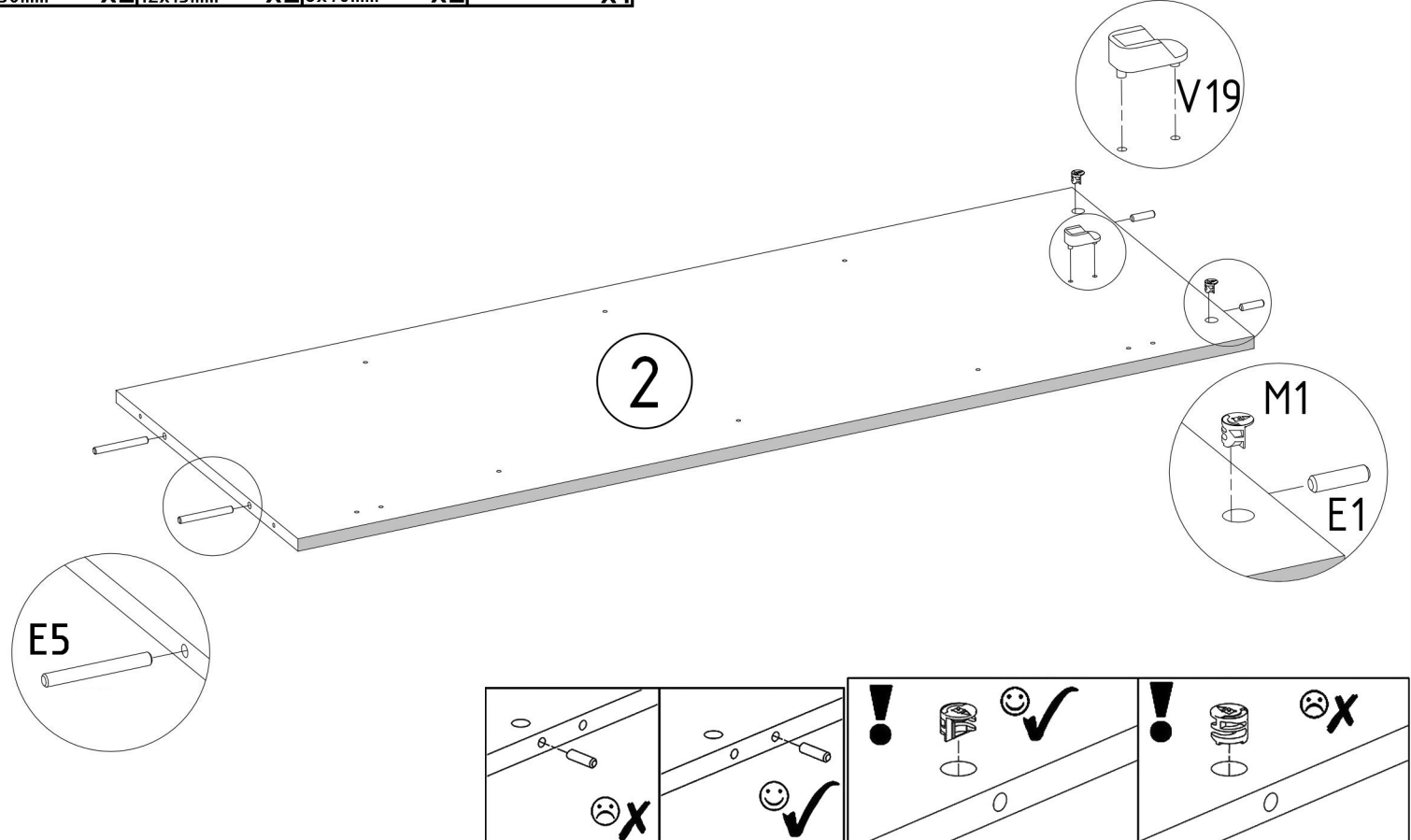
1	x	1
2	x	1
3	x	1
4	x	1
5	x	1
6	x	2
7	x	1
8	x	1



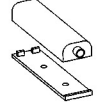

9	x	4
10	x	1
11	x	2
12	x	3
13	x	2
14	x	4
15	x	2
16	x	2

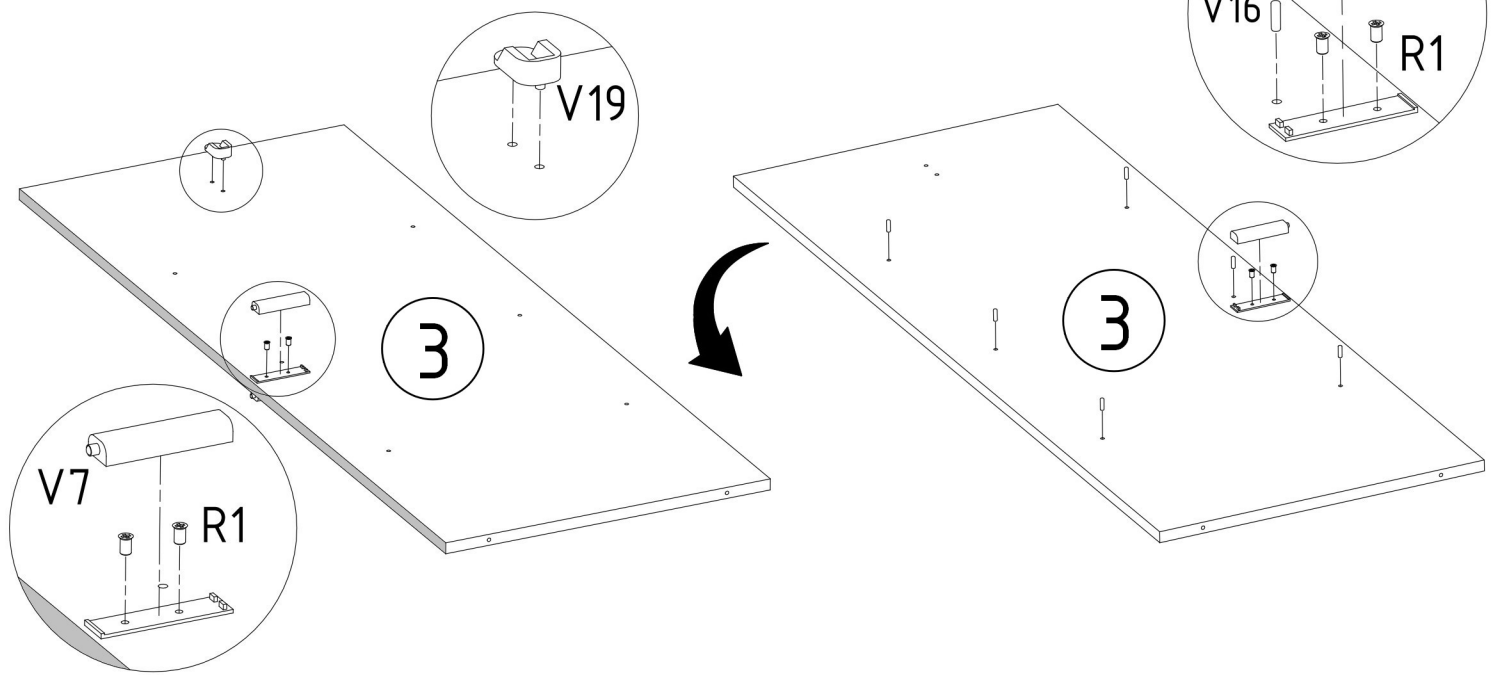
E1 	M1 	E5 	V16 
8x30mm	x2 12x15mm	x2 8x70mm	x2 5x16mm




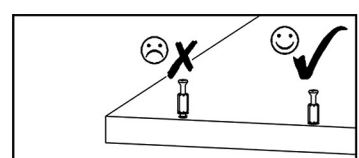
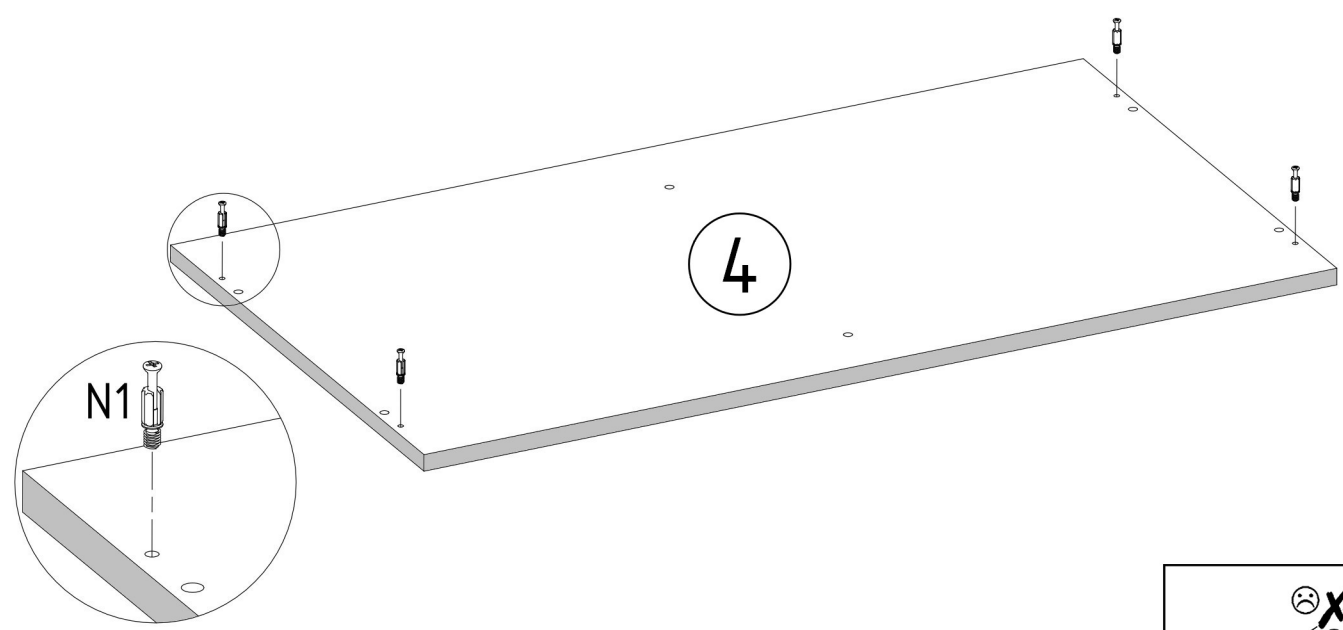
E1 	M1 	E5 	V19 
8x30mm	x2 12x15mm	x2 8x70mm	x2 x1




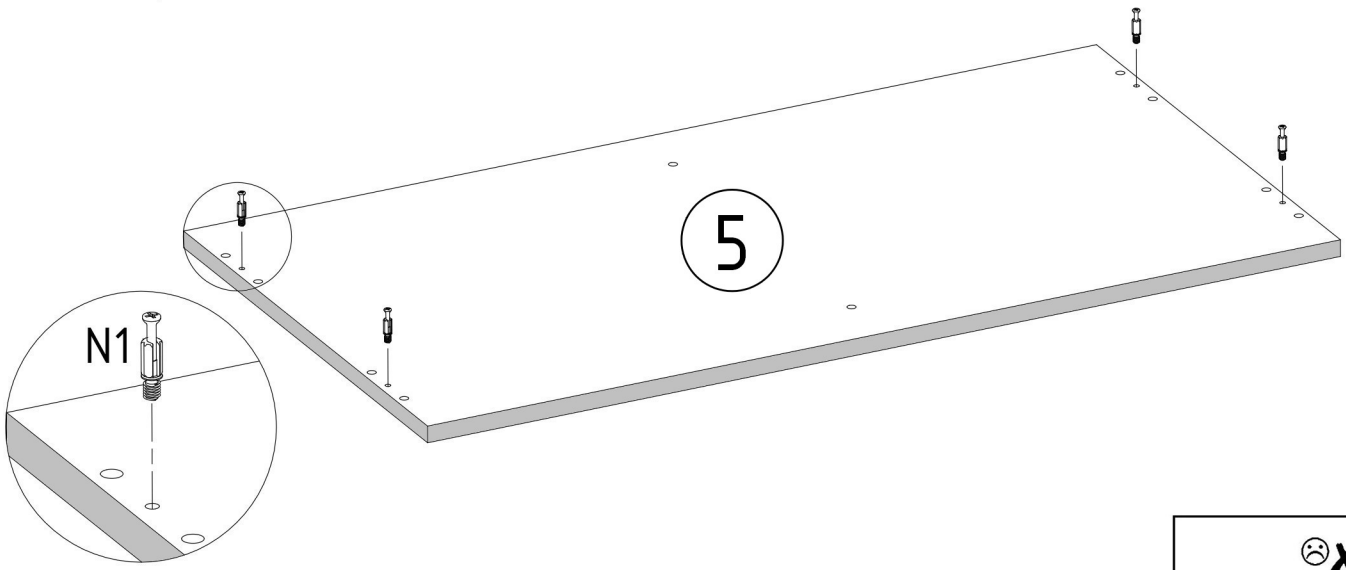
V19  x1 6x8mm	R1  x4	V7  x2 5x16mm	V16  x6
--	--	--	---

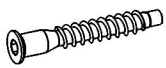
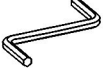


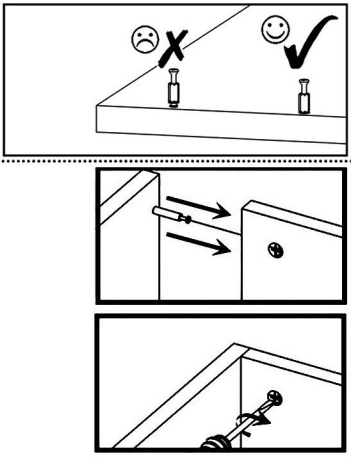
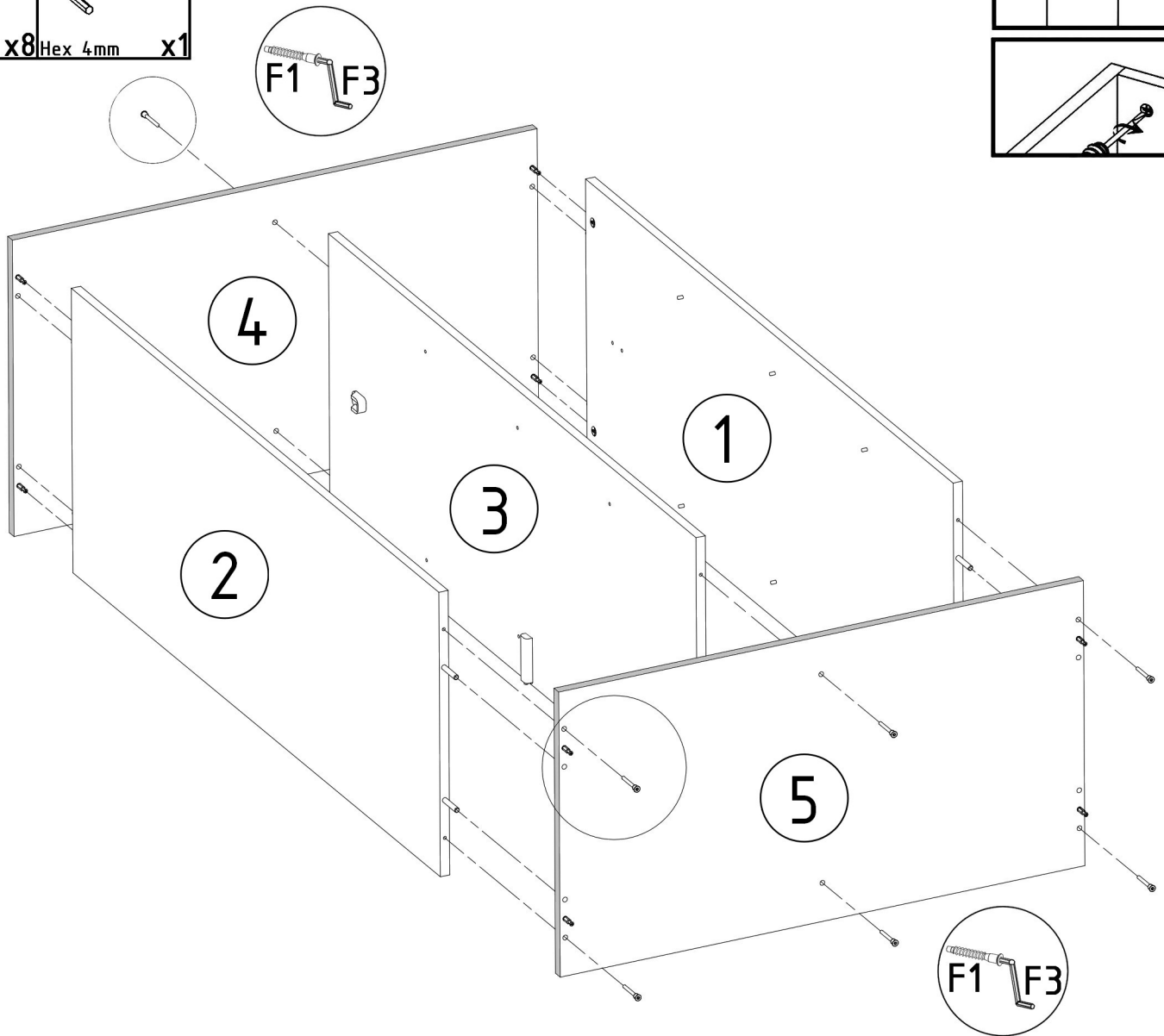
N1  L=35mm x4
--










N1

L=35mm **x4**

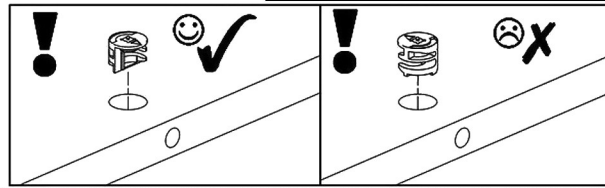
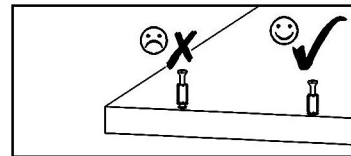
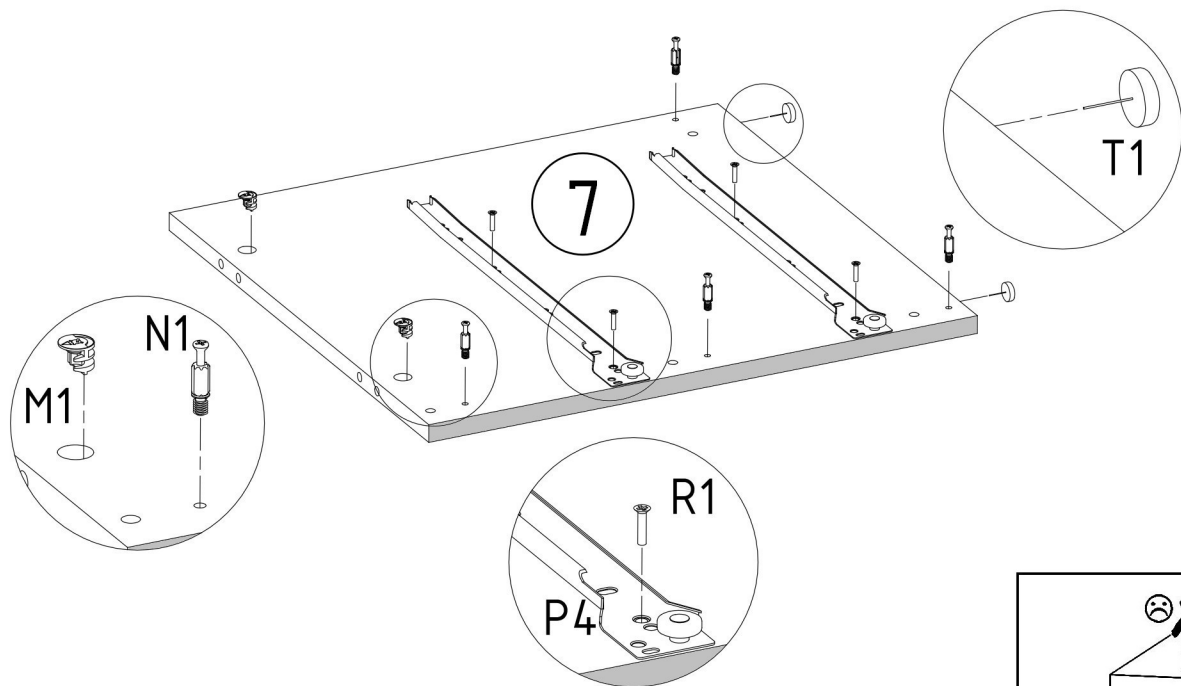







F1 **F3**
 
7x50mm **x8** Hex 4mm **x1**

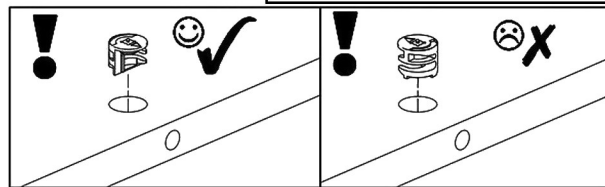
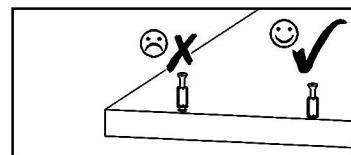
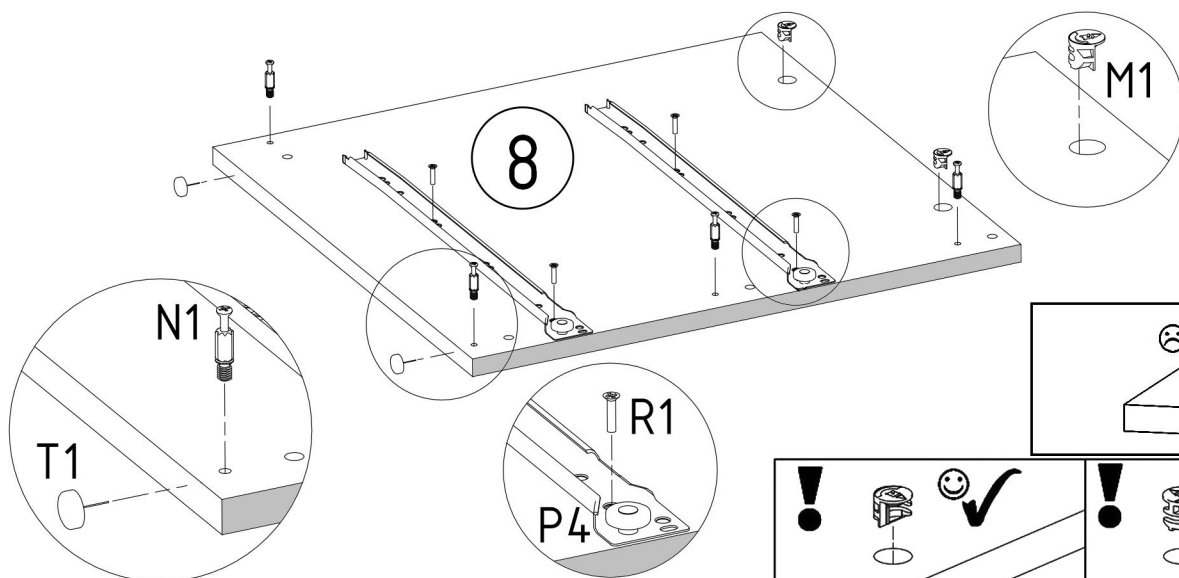






F1 **F3**
 

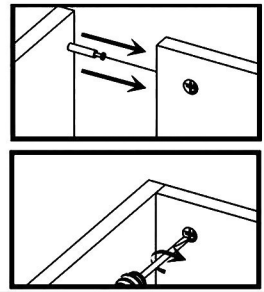
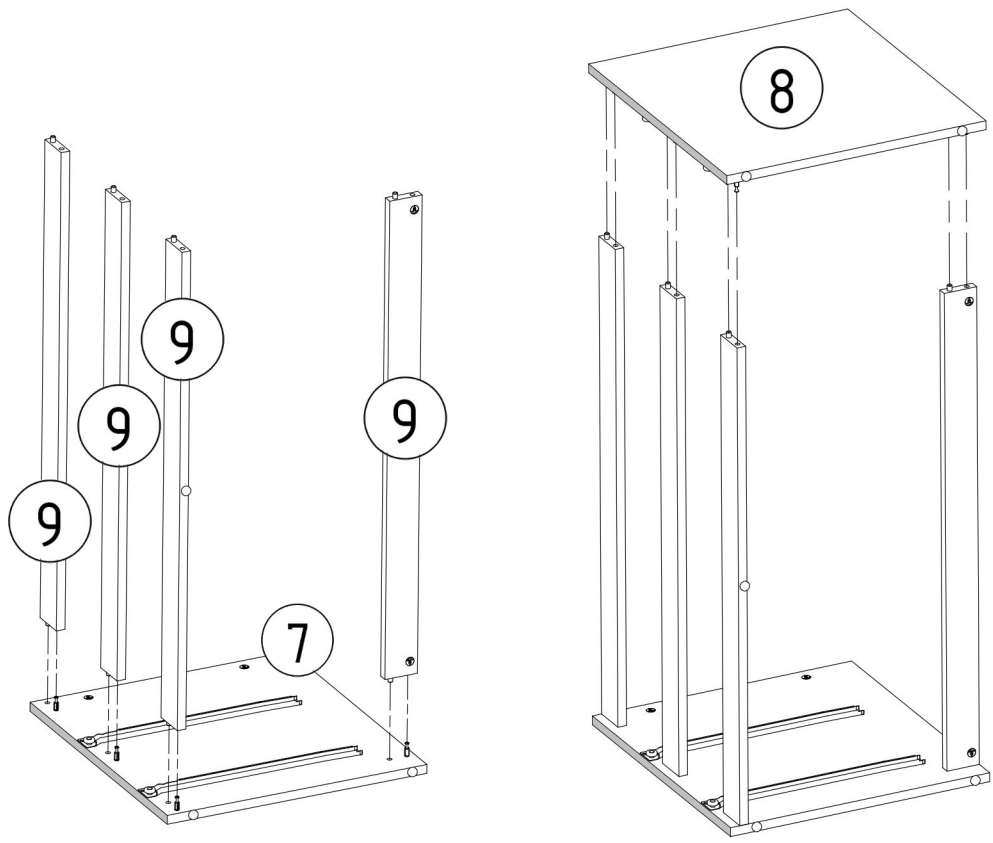
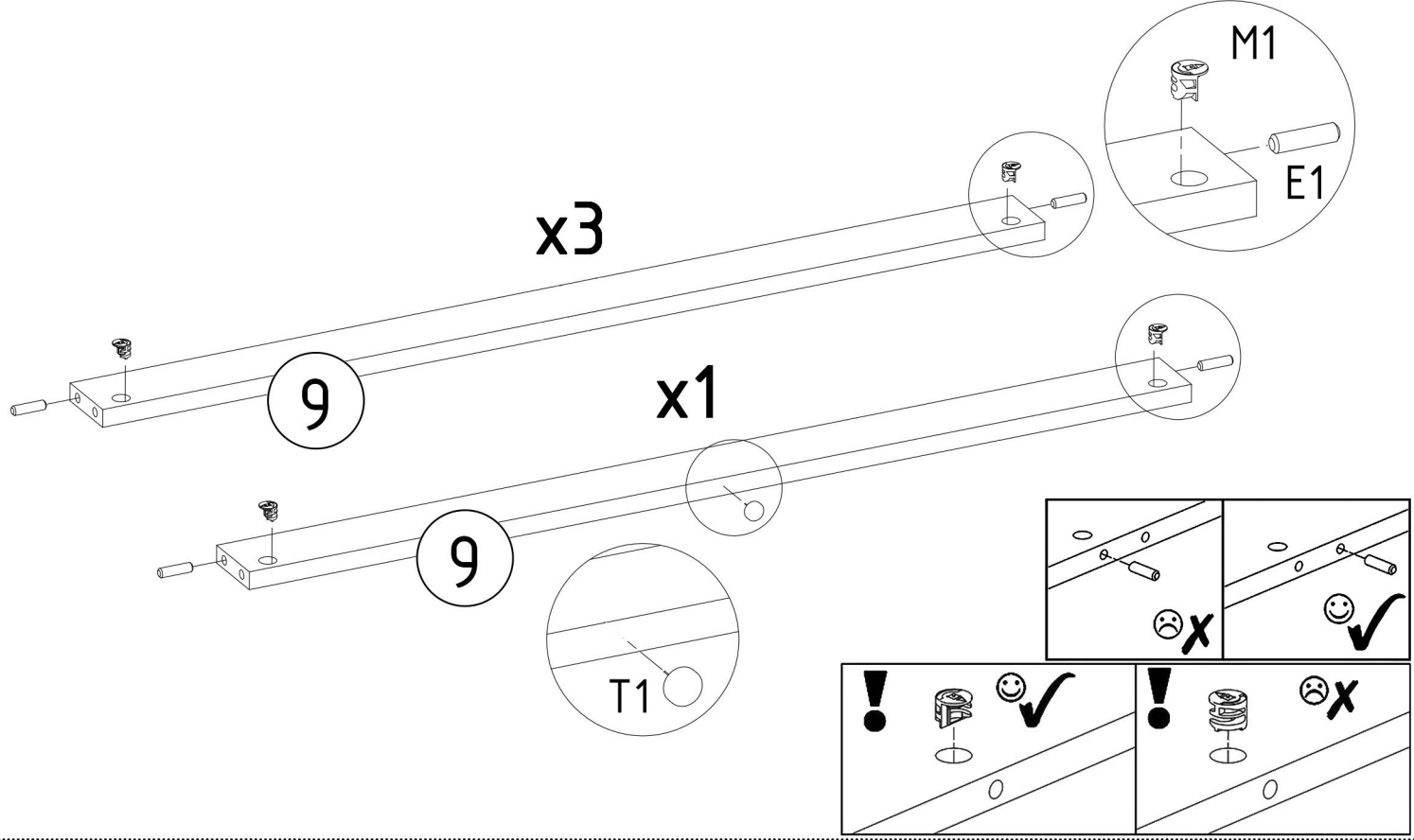
M1 	N1 	P4 	T1 	R1 
12x15mm	x2 L=35mm	x4 L=4.00mm	x2	x2 6x8mm

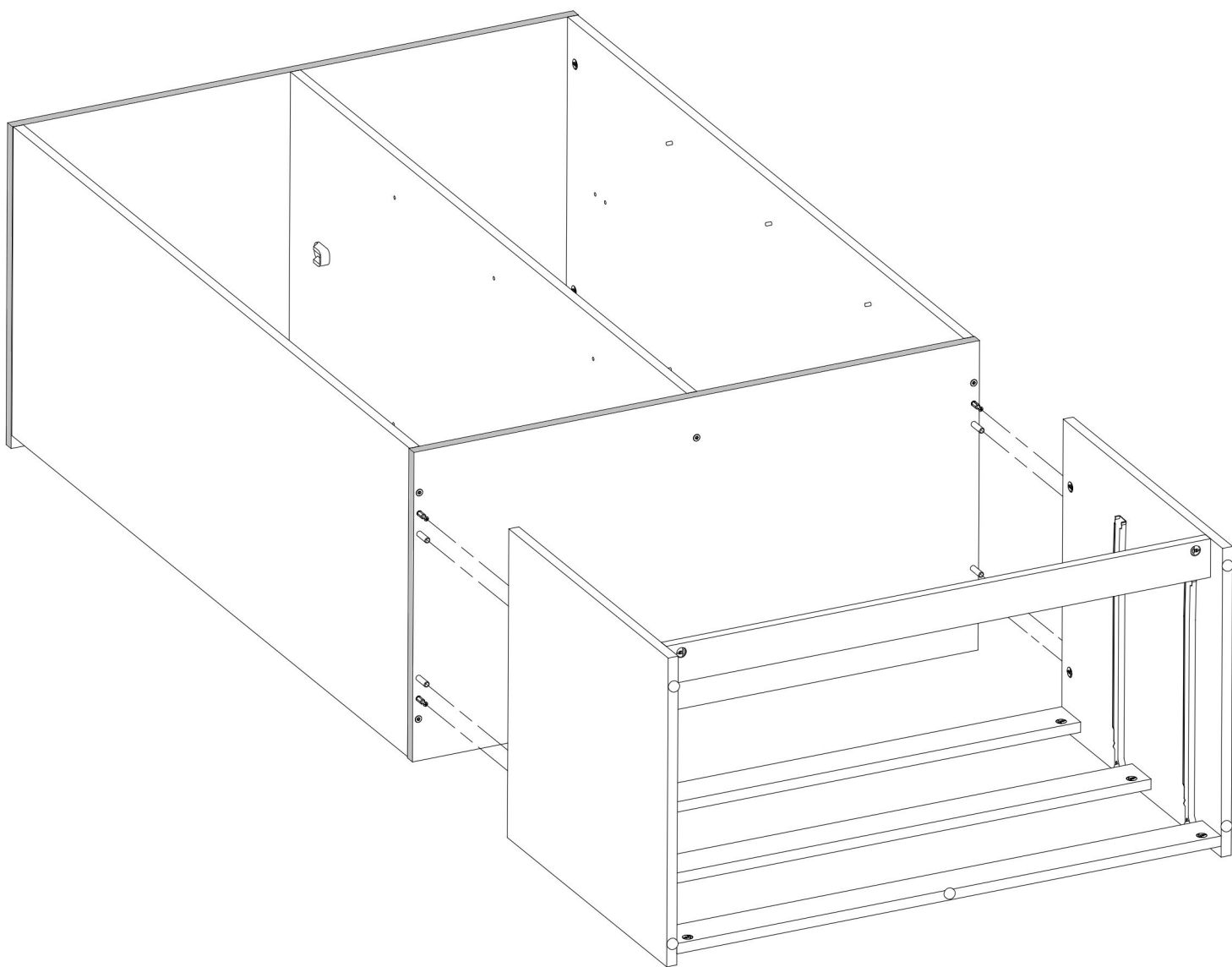
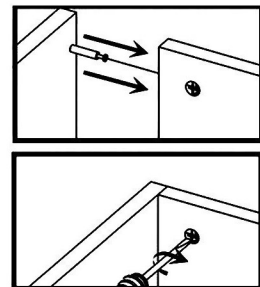


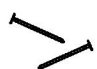


M1 	N1 	P4 	T1 	R1 
12x15mm	x2 L=35mm	x4 L=4.00mm	x2	x2 6x8mm

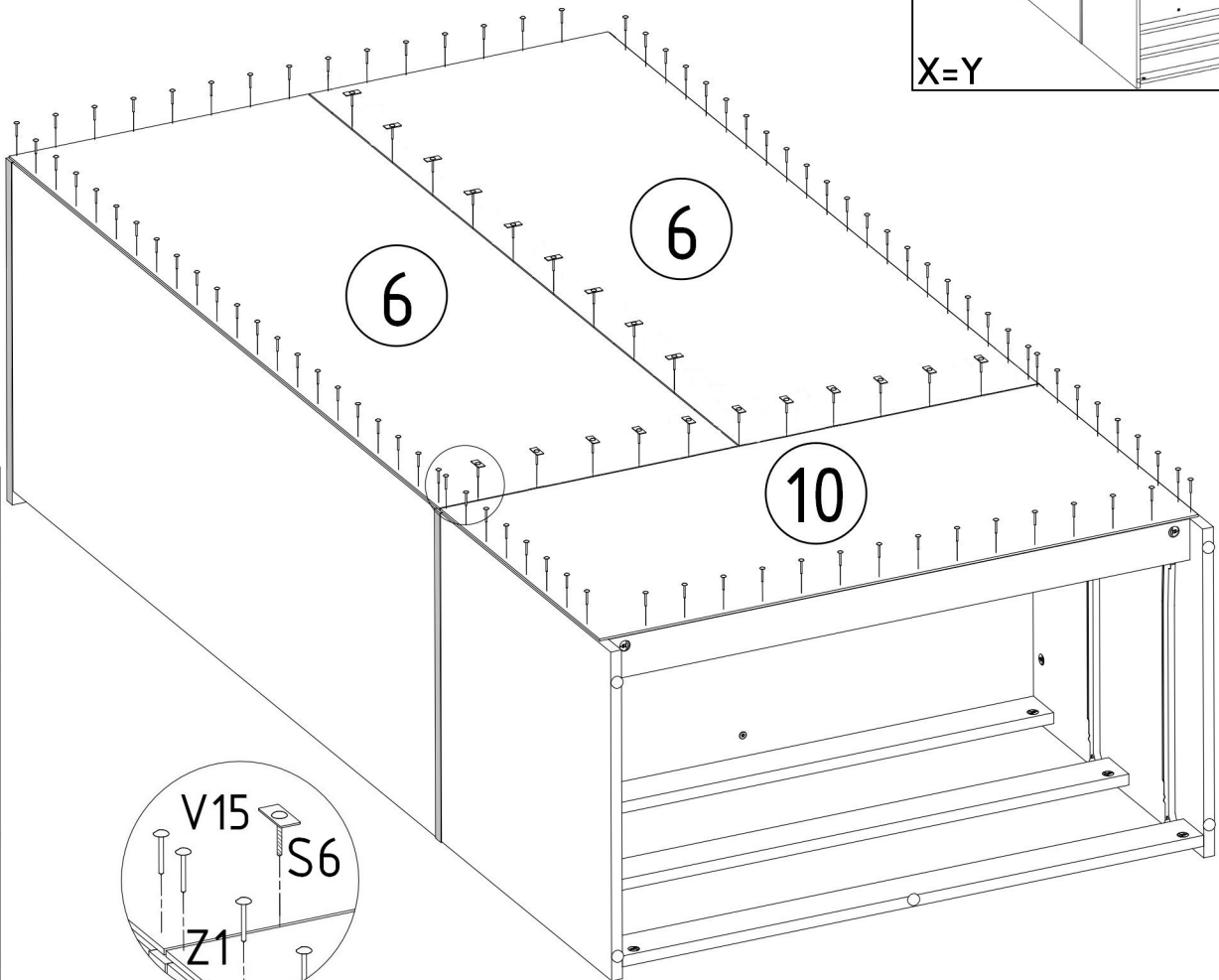
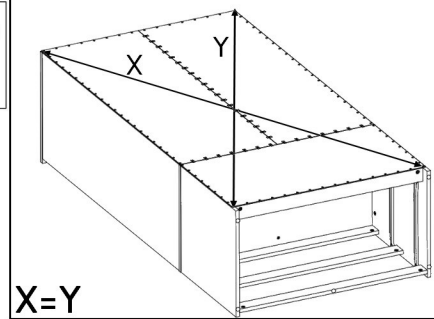
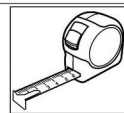


M1  12x15mm x8	N1  L=35mm x8	T1  x1	E1  18x30mm x8
---	---	--	--





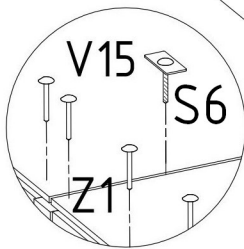
<p>Z1</p>  <p>x88</p>	<p>V15</p>  <p>x20</p>	<p>S6</p>  <p>2,5x20mm x20</p>
---	---	---


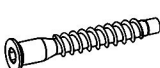
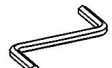


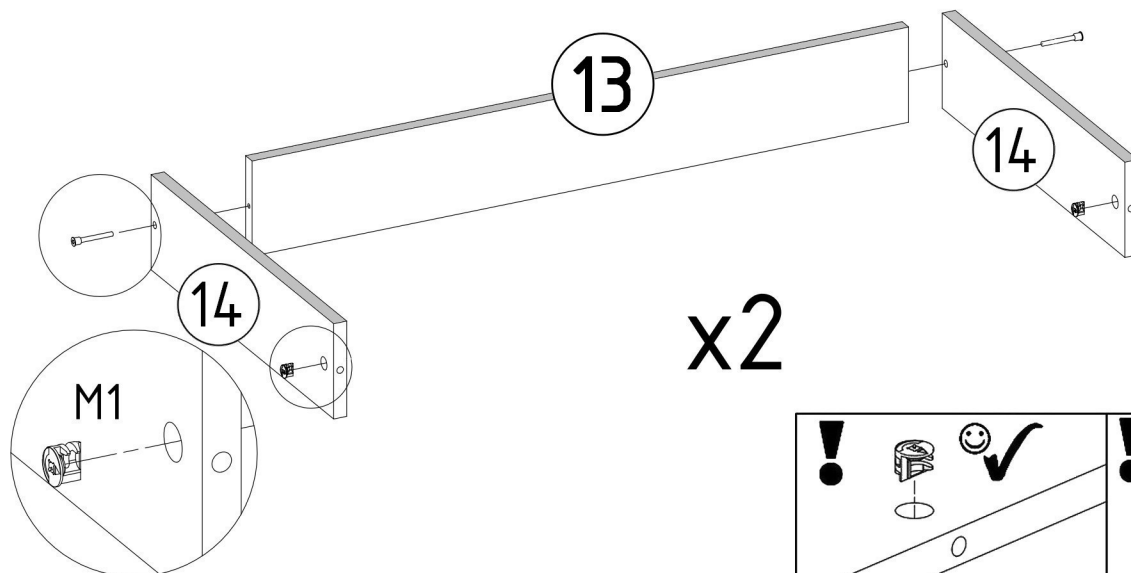
8 mm



✓

✗




<p>M1</p>  <p>12x15mm</p>	<p>F1</p>  <p>X4 7x50mm</p>	<p>F3</p>  <p>X4 Hex 4mm</p>
---	--	---

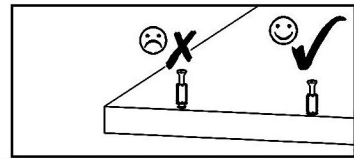
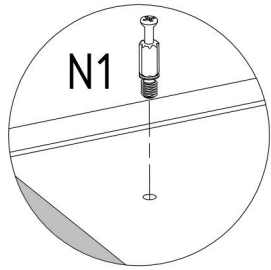
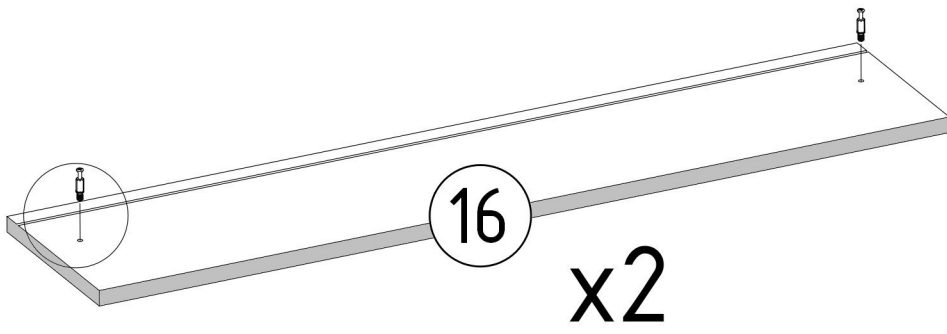


<p>!</p>  <p>✓</p>	<p>!</p>  <p>✗</p>
---	---


N1



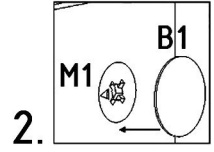
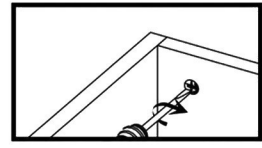
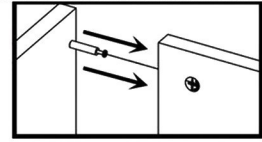
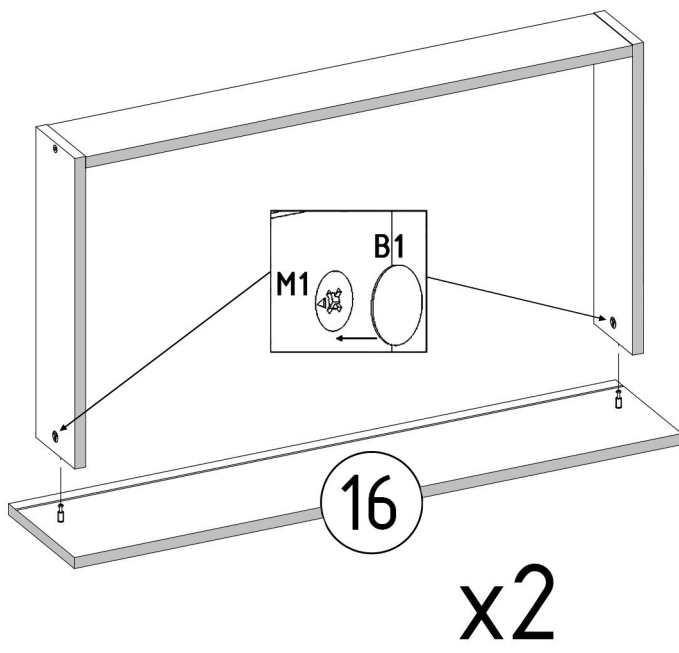
L=35mm **x4**



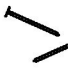
B1



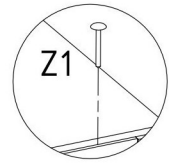
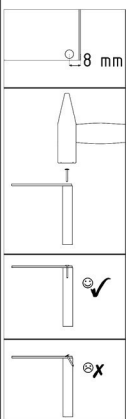
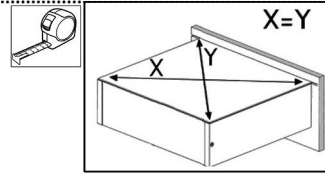
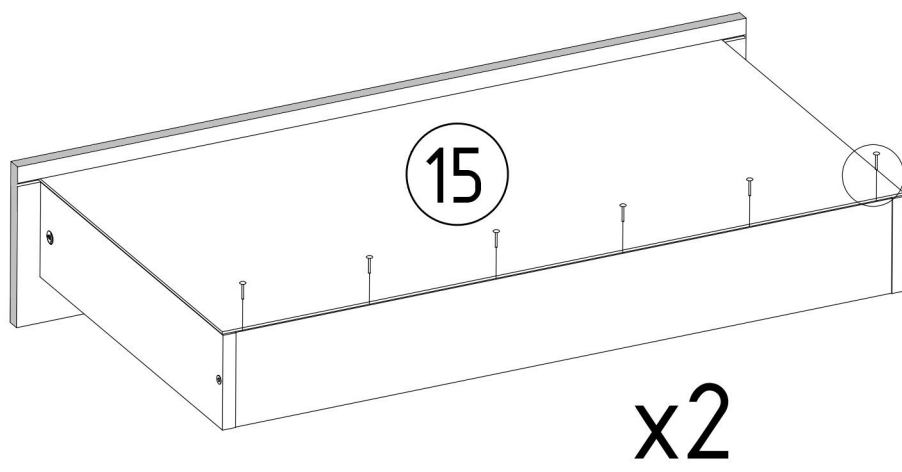
ø17/4-5mm **x4**


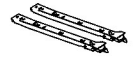


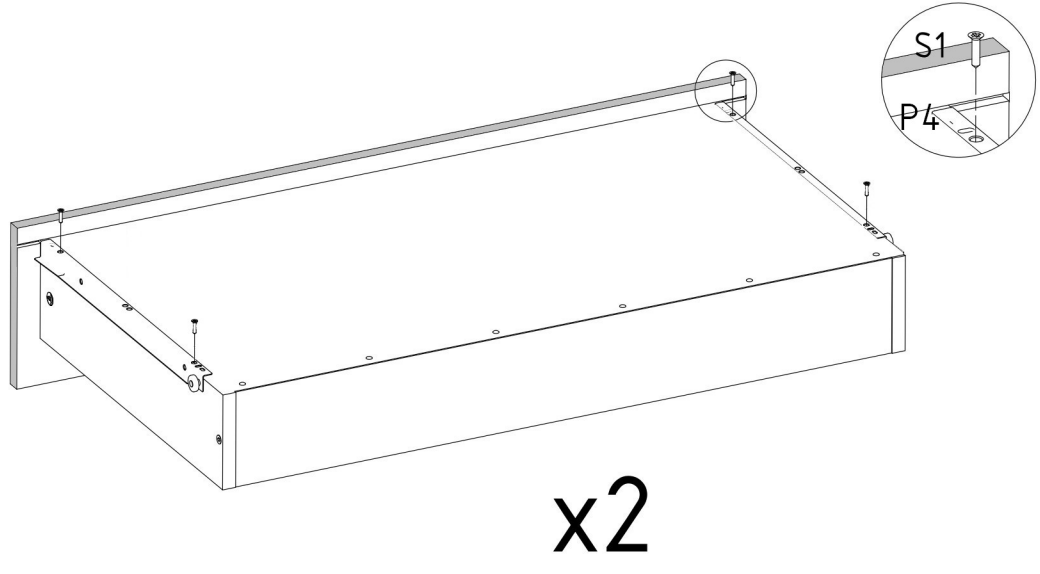
Z1





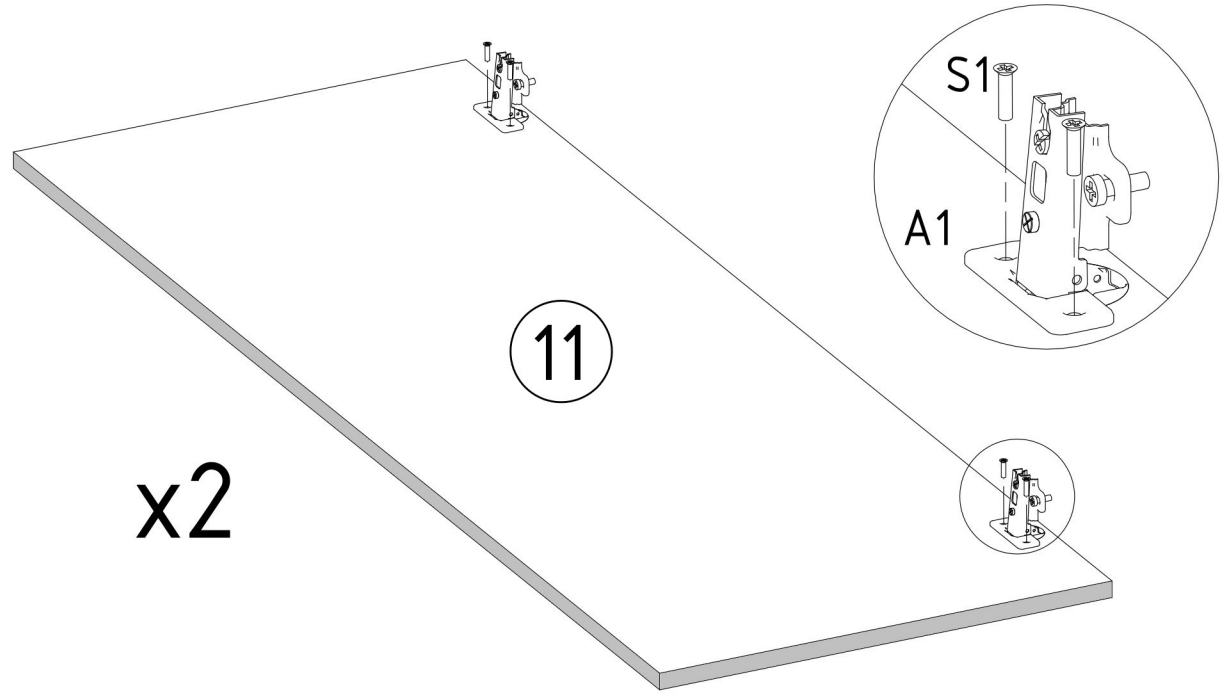
x12



S1  3,5x16mm x8	P4  L=400mm x4
---	---



A1  ZP x4	S1  3,5x16mm x8
---	--



V8

L=414mm X1

