



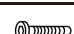



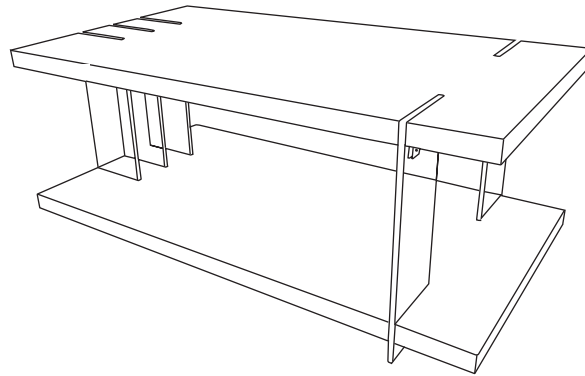


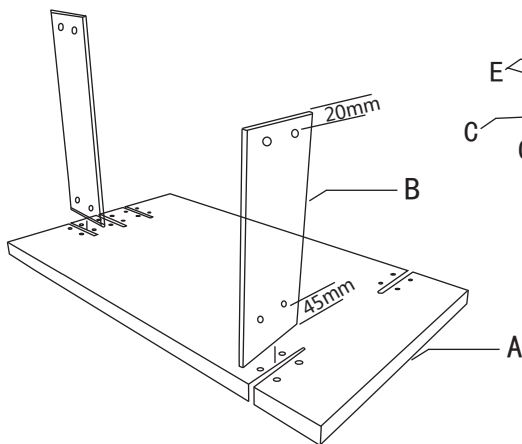
ASSEMBLY INSTRUCTION

Item NO: DALLAS

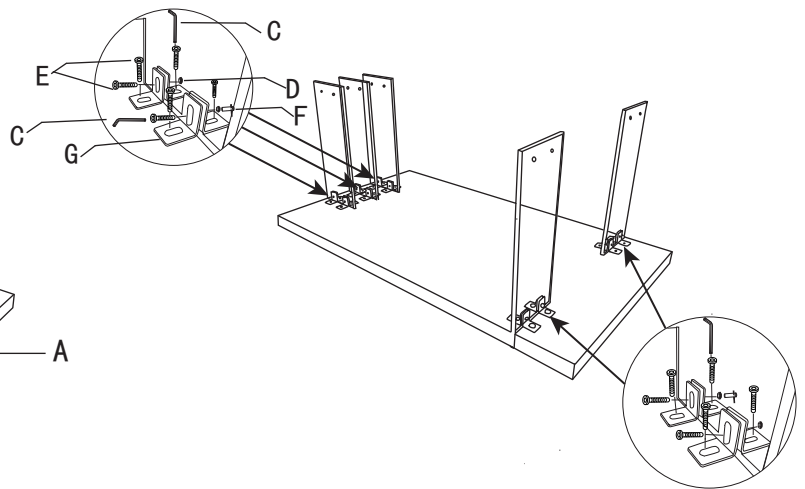
NO	PART	DESCRIPTION	Q'TY
A		MDF Board	2
B		Glass Frame	5
C		Allen key 5#	1
D		Screw Nut M8	20
E		Screw M8x20mm	60
F		Hexagon Spanner M8	1
G		Angle Iron 30x25mm	40
H		Plastic feet	5



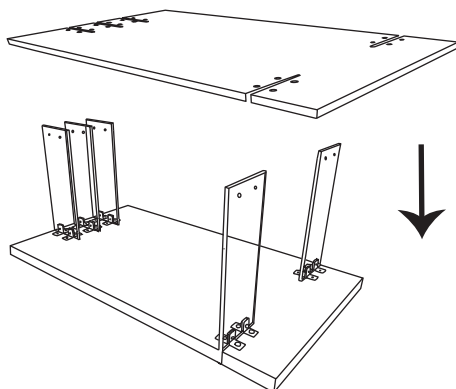
step 1



step 2



step 3



step 4

