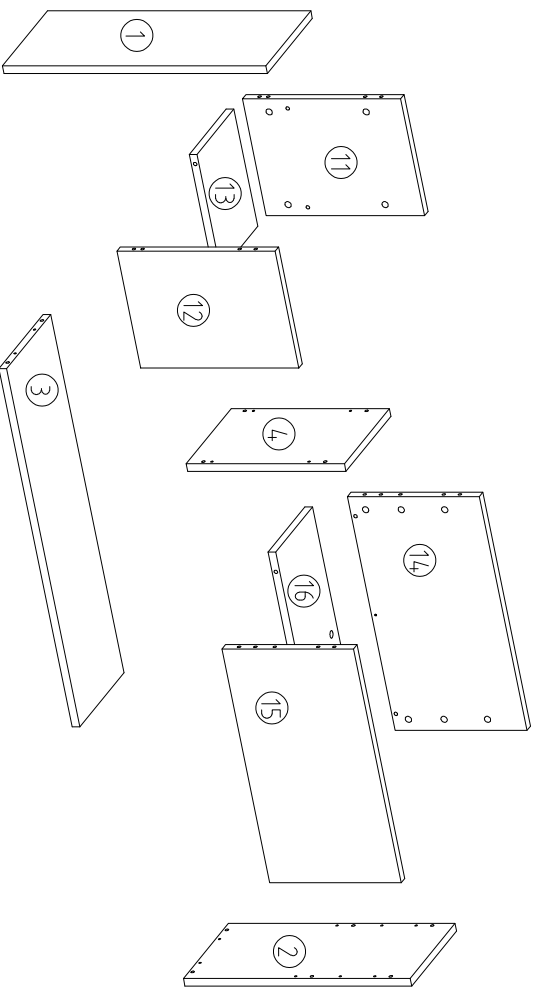
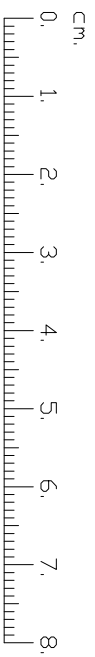
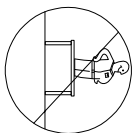
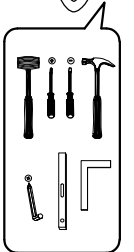
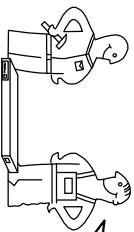
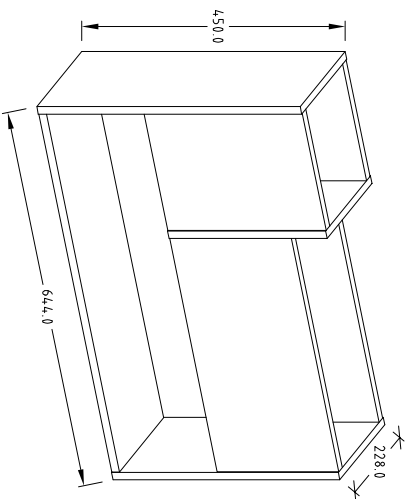
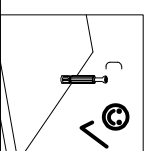
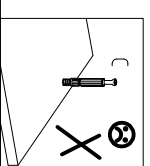
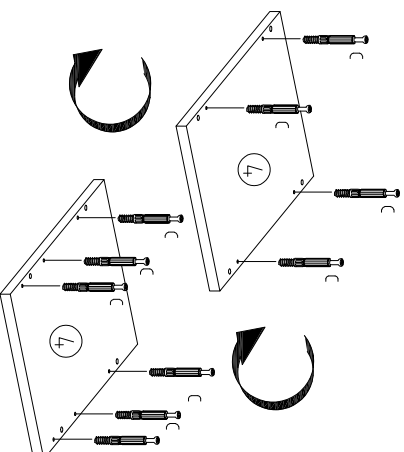
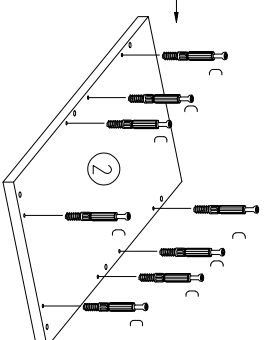
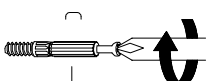
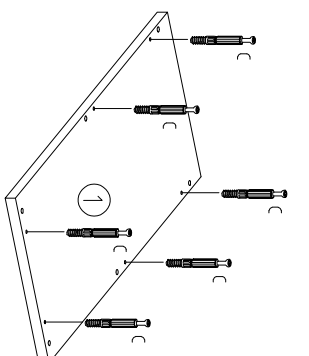


FLOWERPOT C

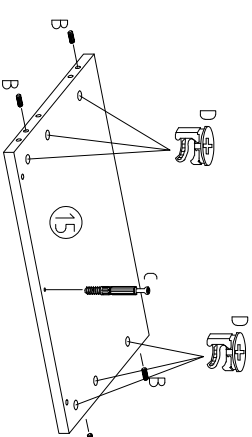
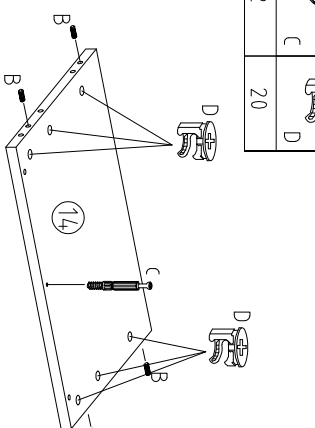


8.0x3.5	28	B	8.0x3.5	26	C	8.0x3.5	26	D	8.0x3.5	22	D1	8.0x3.5	4	G	8.0x3.5	1	J
---------	----	---	---------	----	---	---------	----	---	---------	----	----	---------	---	---	---------	---	---

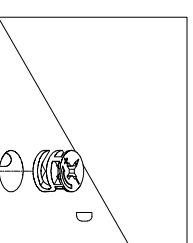
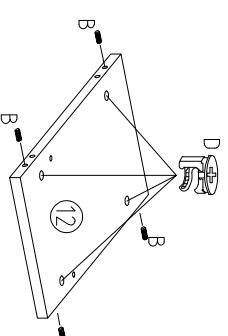
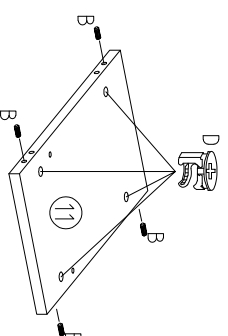
2.4	C
-----	---



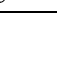


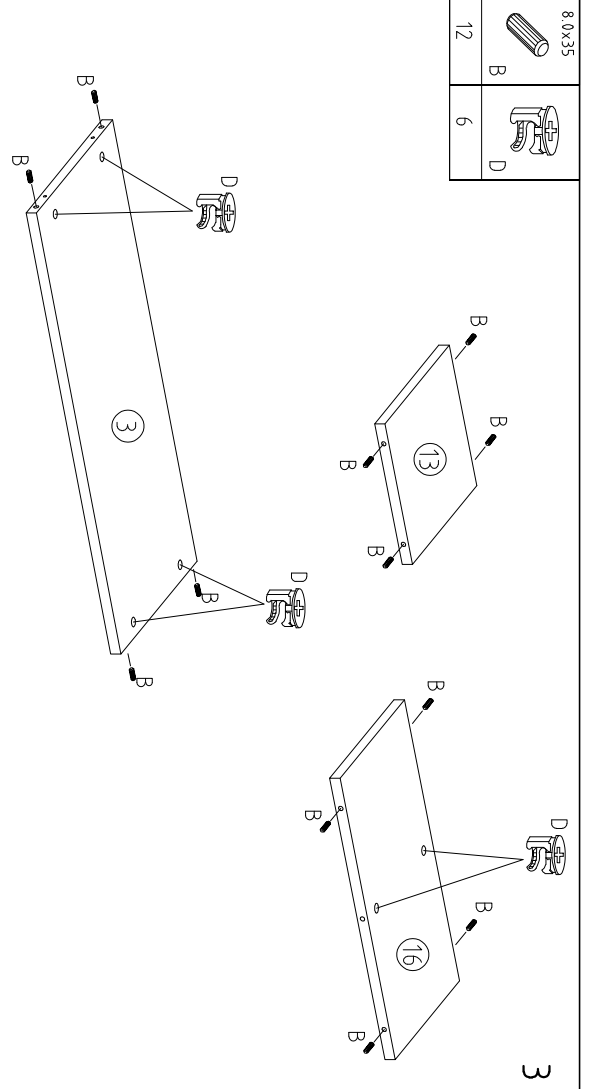
8.0x3.5	16	B	8.0x3.5	2	C	8.0x3.5	2.0	D
---------	----	---	---------	---	---	---------	-----	---



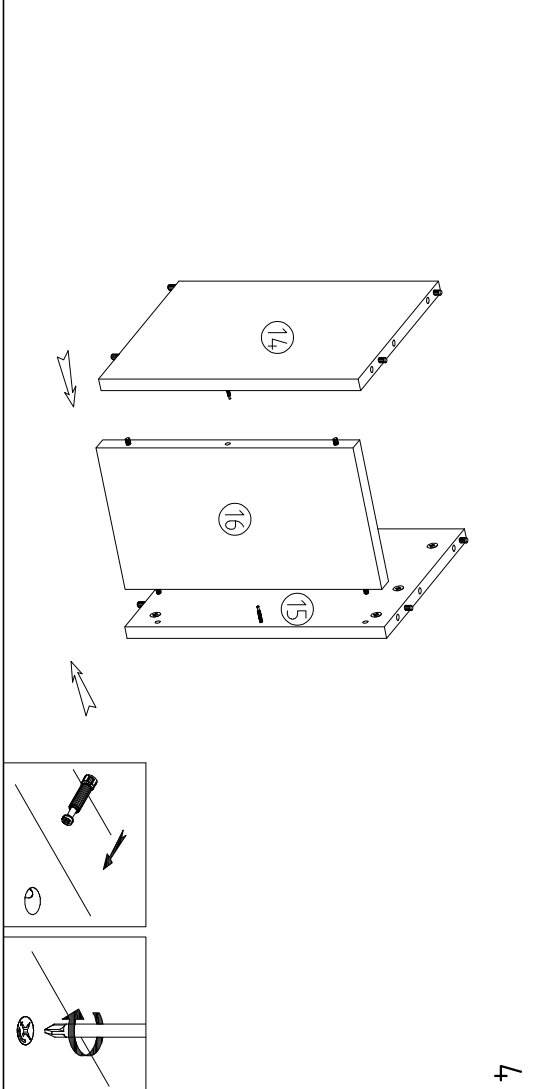
2



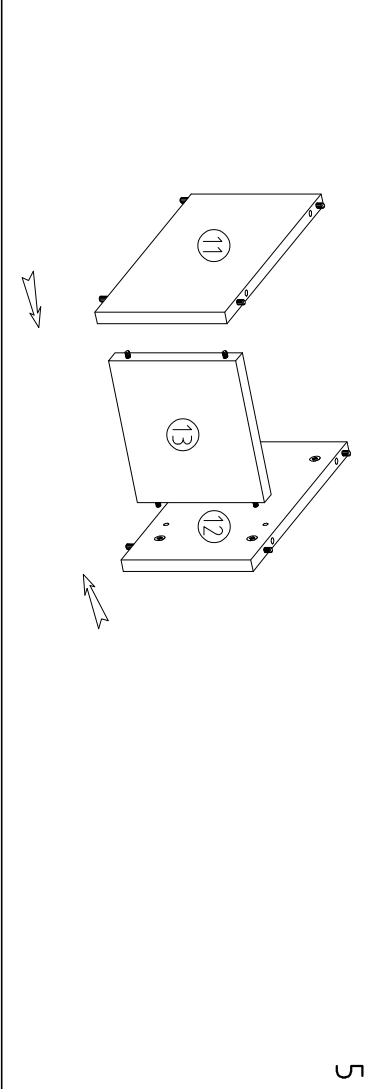
8.0x35	
B	
12	6
D	



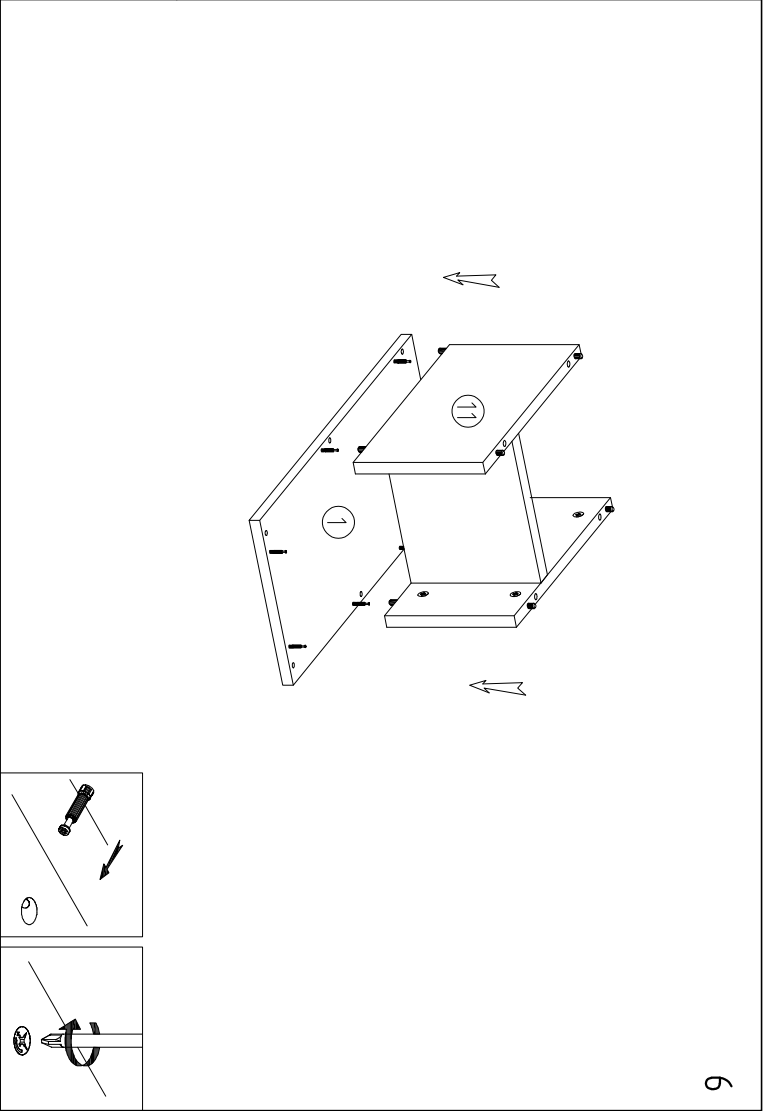
3



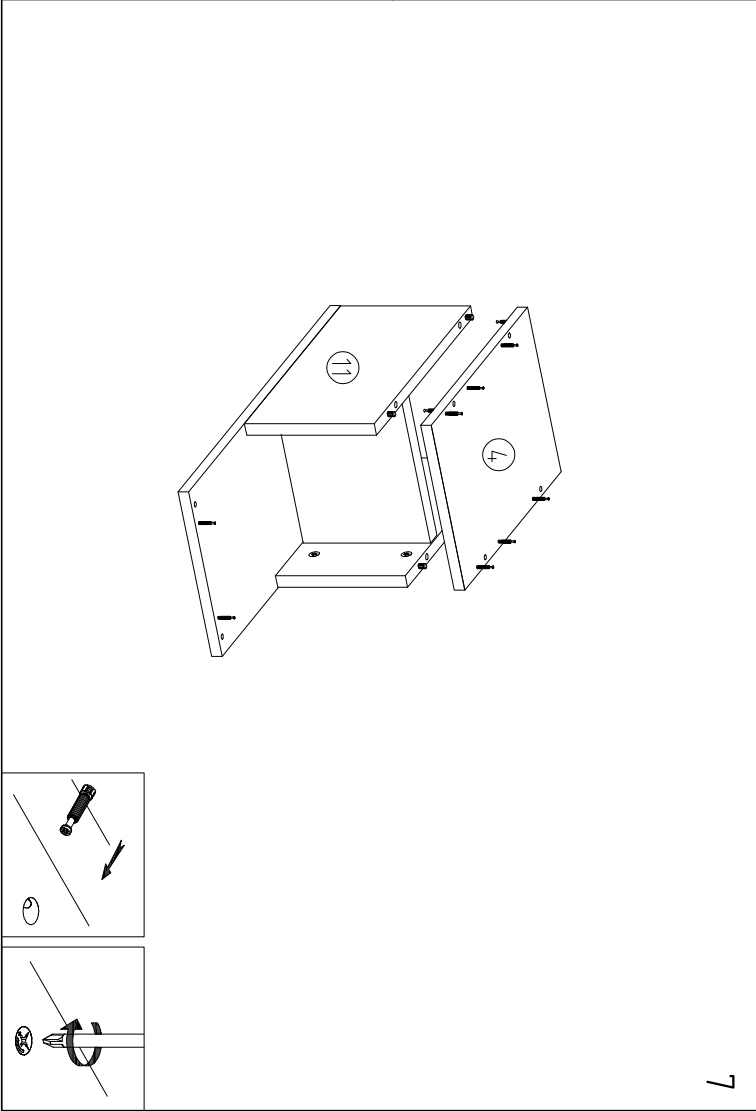
4



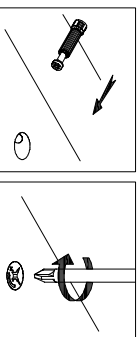
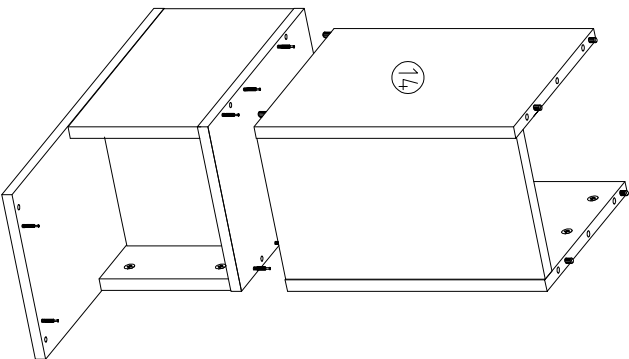
5



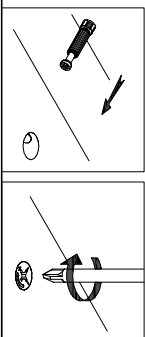
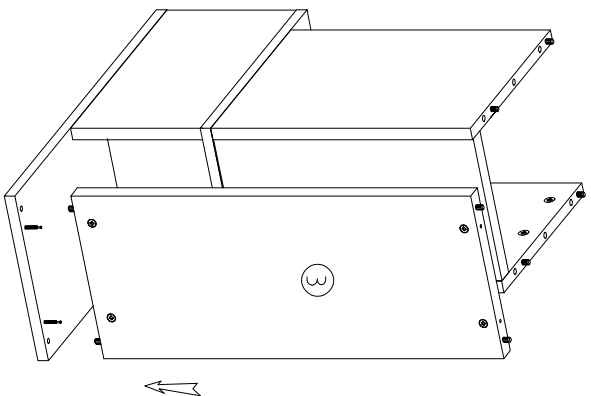
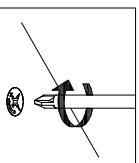
6



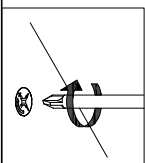
7



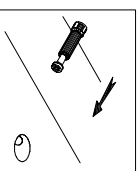
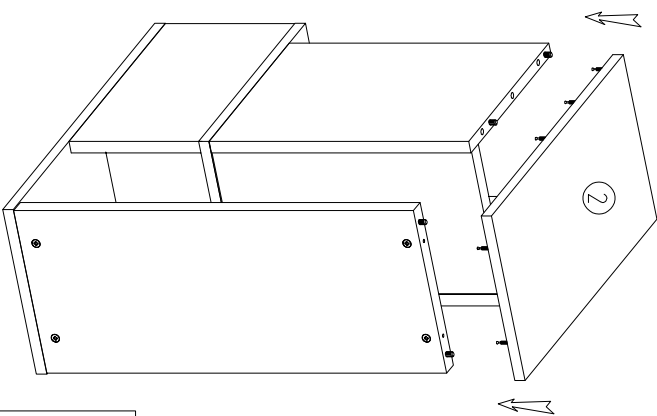
8



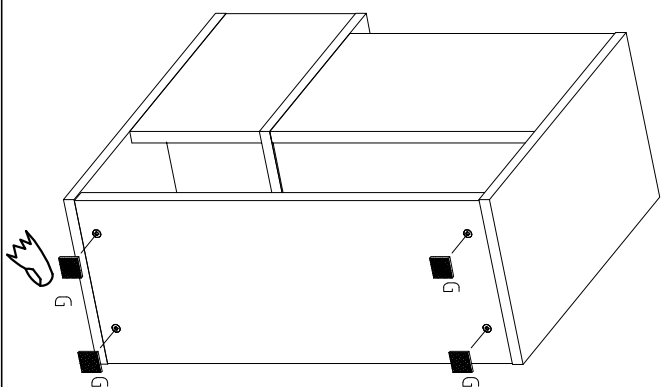
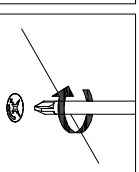
9



	D1
	G
22	4



10



11

