



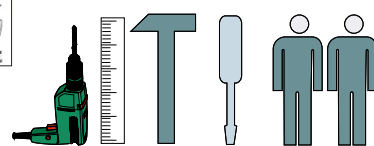
DRIFT HIGHBOARD 45339..3

Nr 1/9

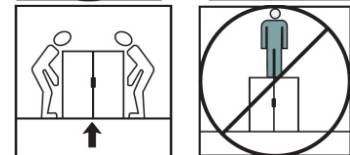
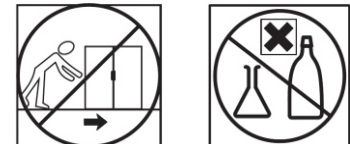
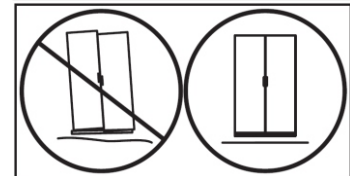
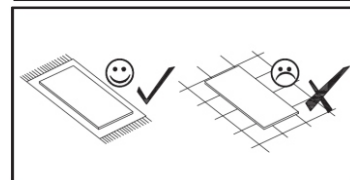
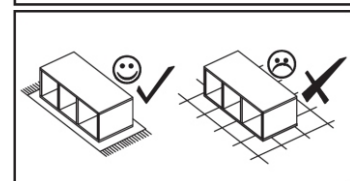
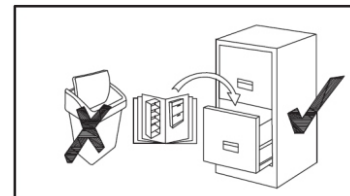
meble
Okmed

wyprodukowano dla / made for / produziert für
BEGA GRUPPE
producent: **MEBLE OKMED** POLAND

BEGA
GRUPPE



1	EL-DRI-HB-BLAT-G-DS	16x1.390x335	x1
2	EL-DRI-HB-DACH-G-DS	16x1.390x335	x1
12	EL-DRI-HB-WIEN-DS	16x1.358x335	x1
20	EL-DRI-HB-PLECY-TW-DS	16x1.390x102	x1
3	EL-DRI-HB-BOK-L-DS	16x335x762	x1
4	EL-DRI-HB-BOK-P-DS	16x335x762	x1
5	EL-DRI-HB-PRZEGRODA-L-DS	16x300x735	x1
6	EL-DRI-HB-PRZEGRODA-P-DS	16x300x735	x1
7	EL-DRI-HB-FRO-SZ-DS	16x266x240	x3
8	EL-DRI-HB-BOK-L-SZ-DS	16x295x180	x3
9	EL-DRI-HB-BOK-P-SZ-DS	16x295x180	x3
10	EL-DRI-HB-TYL-SZ-DS	16x215x164	x3
19	EL-DRI-HB-PÓŁKA-DS	16x534x300	x2
17	EL-DRI-HB-PLECY-HDF-S-BI	2.5x750x272	x1
18,18	EL-DRI-HB-PLECY-HDF-L/P-BI	3x750x275	x4
11	EL-DRI-HB-DNO SZUF-HDF-BI	3x303x232	x3
13,15	EL-DRI-HB-FRO-L-BI	16x729x266	x2
14,16	EL-DRI-HB-FRO-P-BI	16x729x266	x2

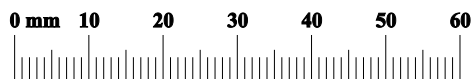


T3



4x20

x1



NR



x2

R



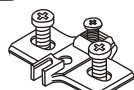
x1

L



x10

D

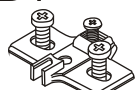


x4



x4

ZD1



x4

N



x1

W8



x4

S8



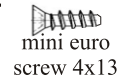
x1

G



x8

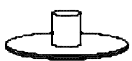
E



mini euro
screw 4x13

x12

S1



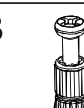
x10

S



x24

B



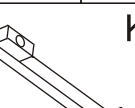
x24

A



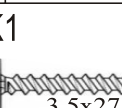
x32

K



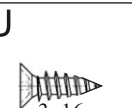
x7

K1



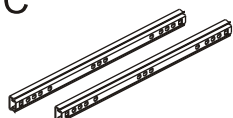
x14

U



x19

C



x3

P



x6

J



x16

SP



x12

W



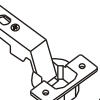
x10

O



x1

H



x4

Q1



x4

Q2



x2

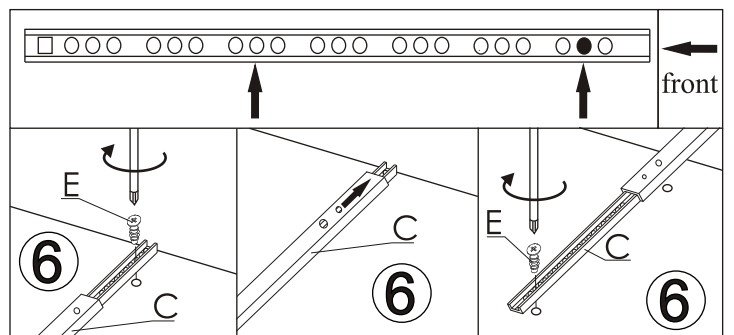
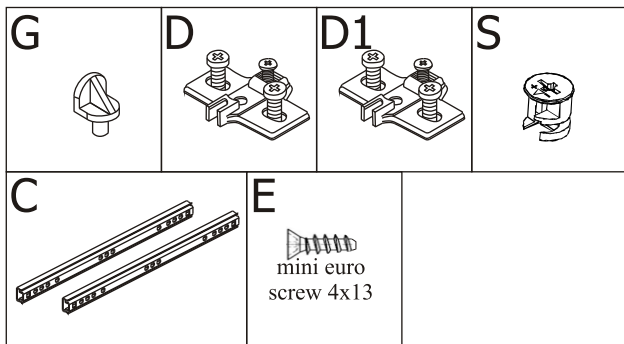
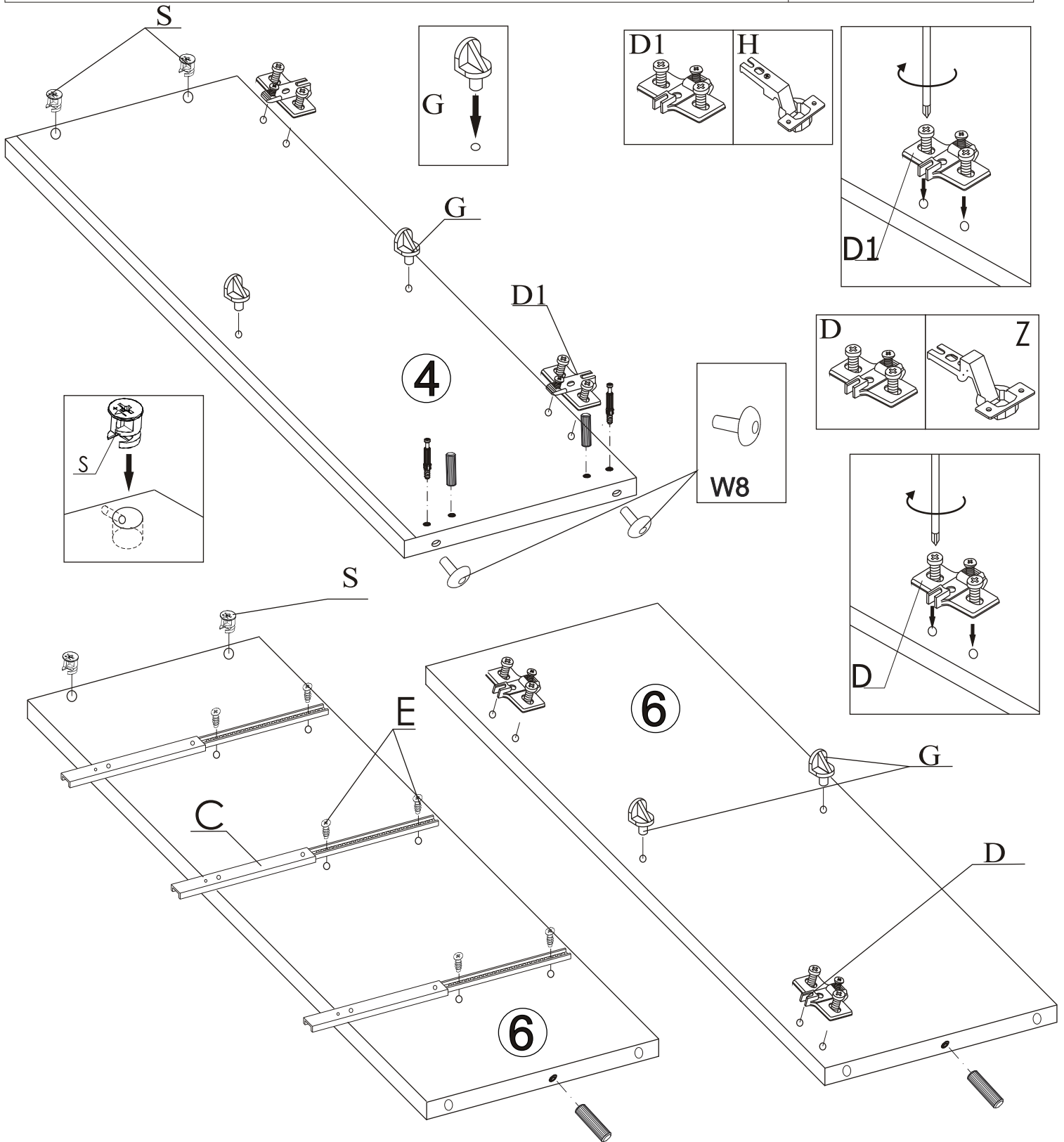
Q3



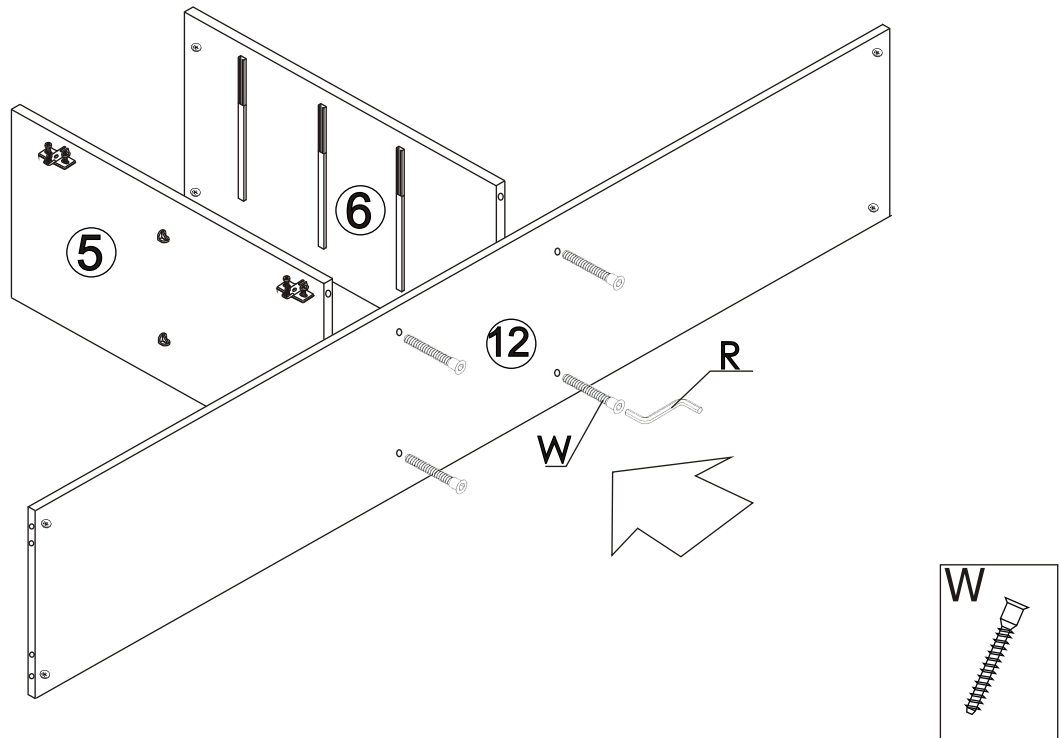
x2

DRIFT HIGHBOARD

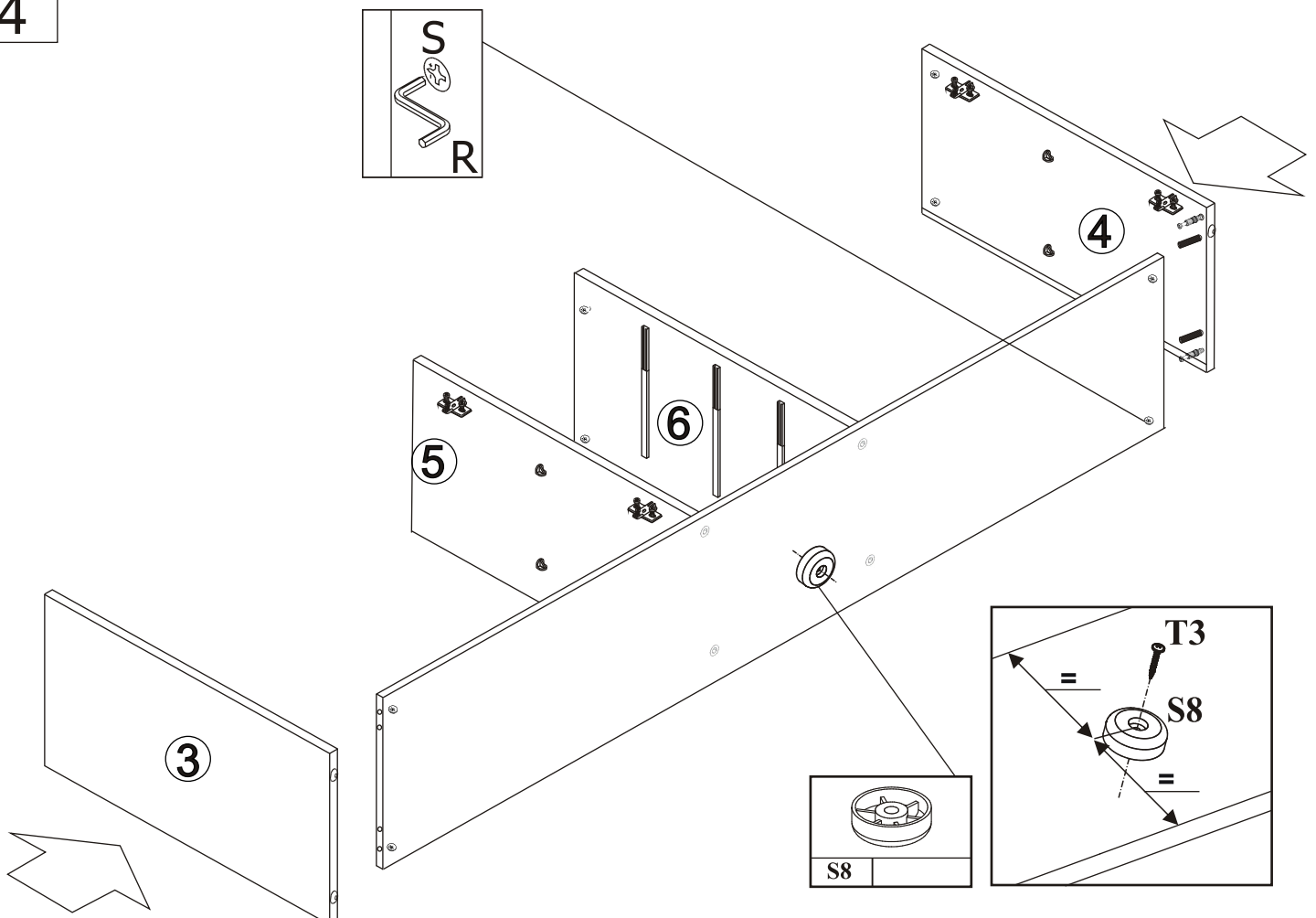
Nr 3/9



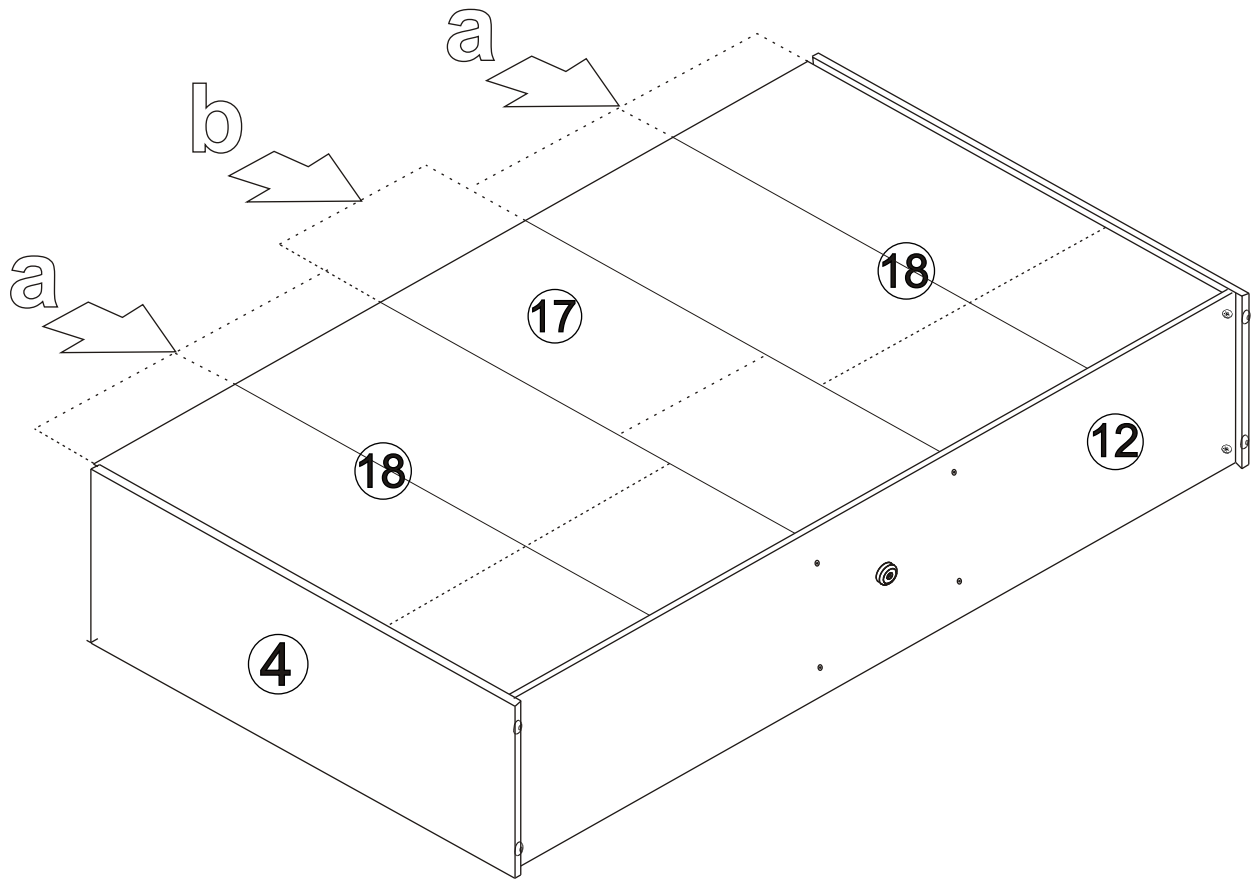
03



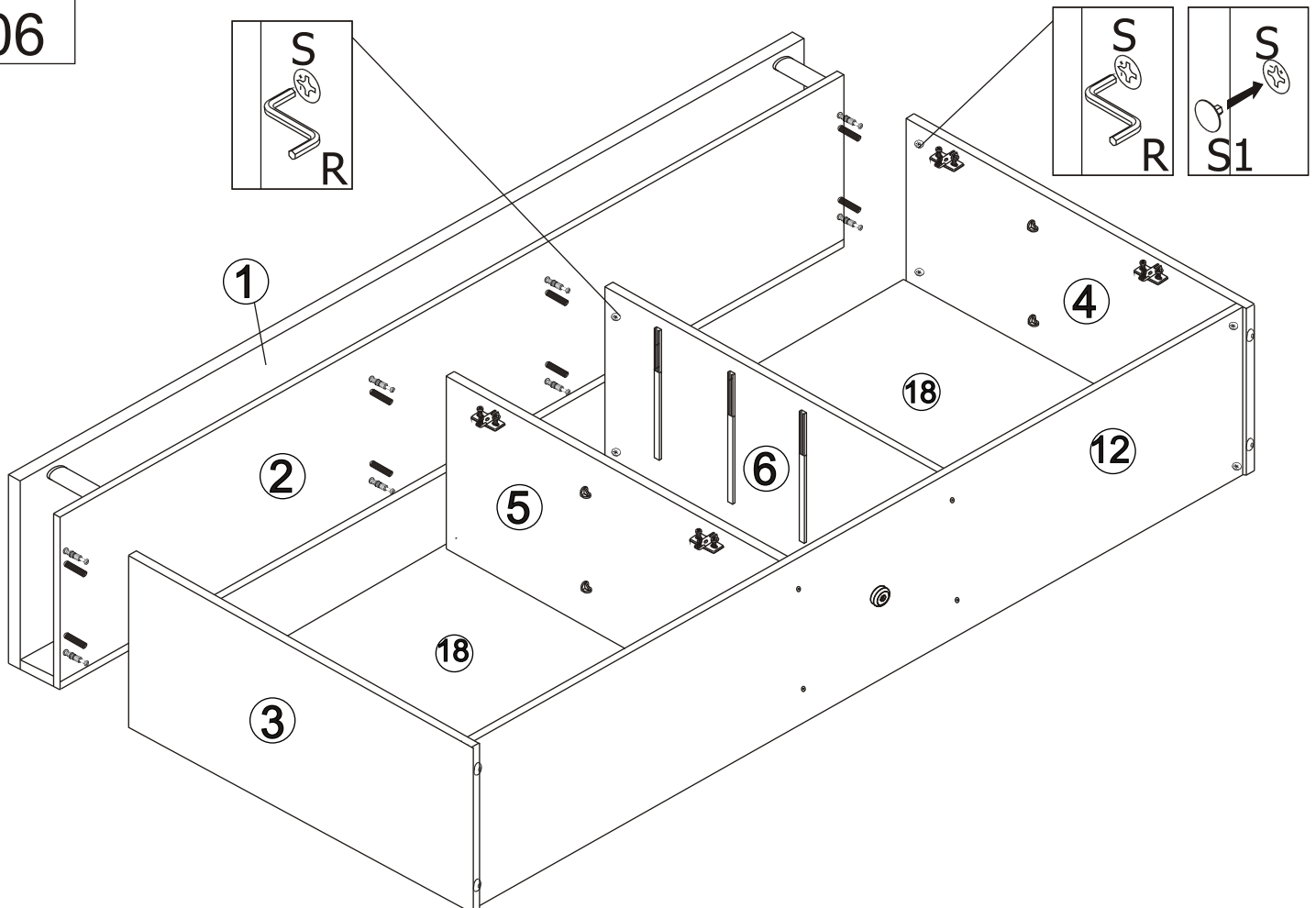
04



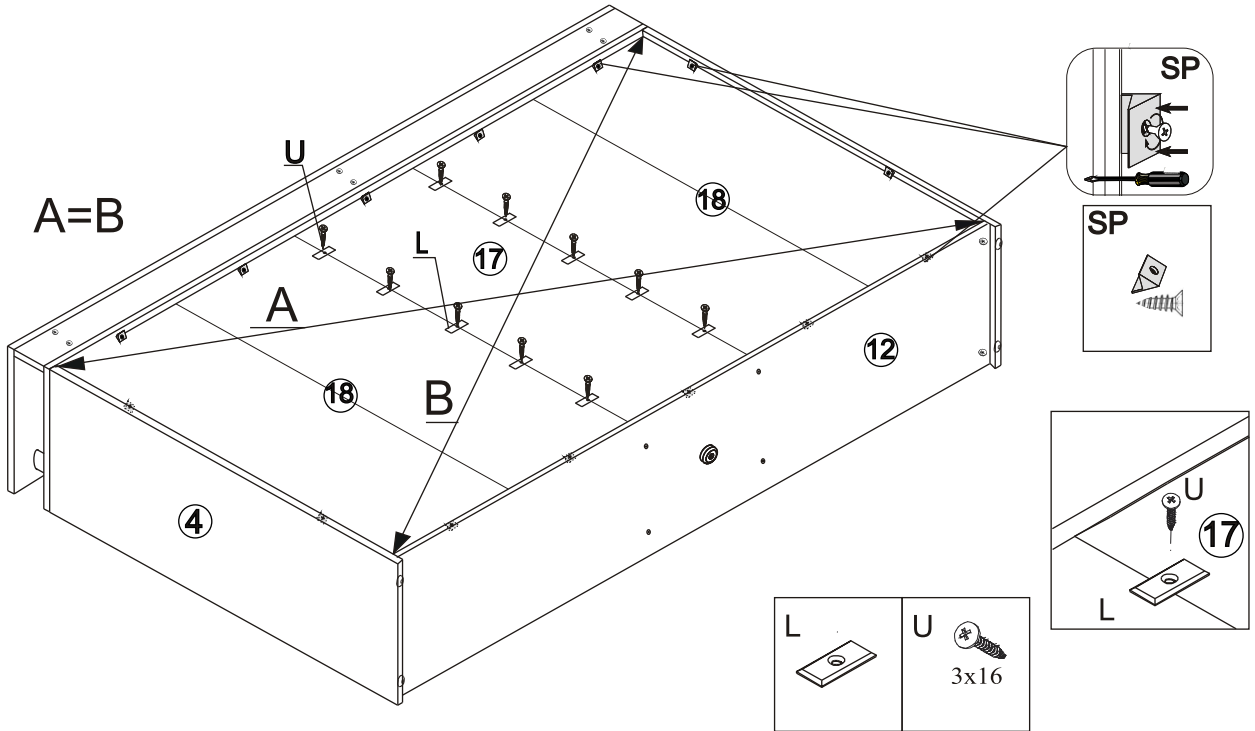
05



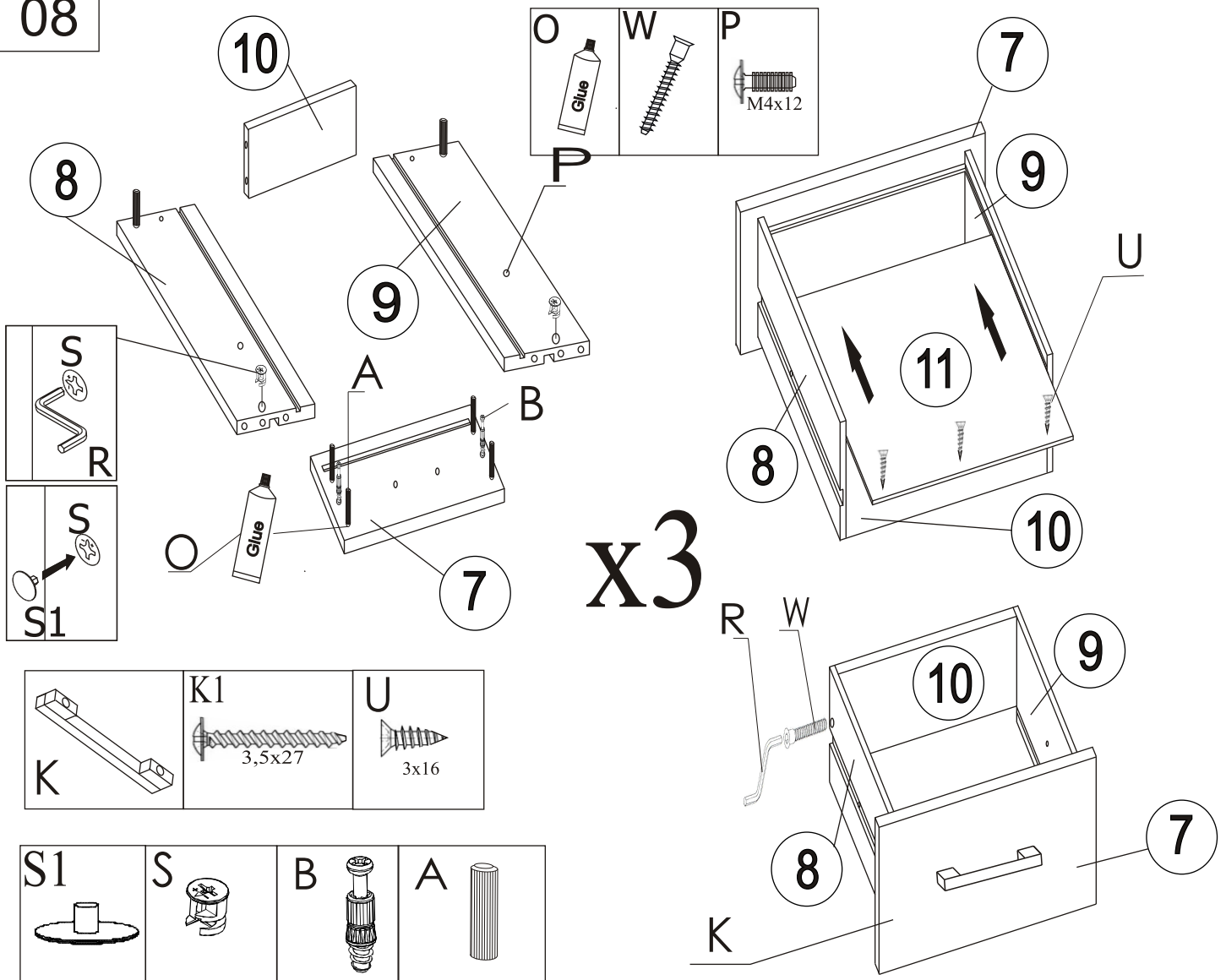
06



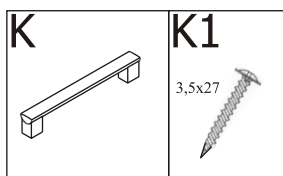
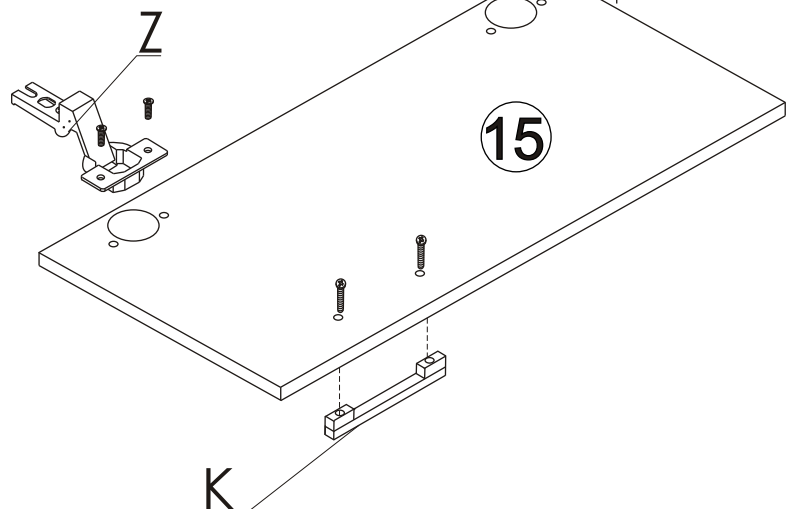
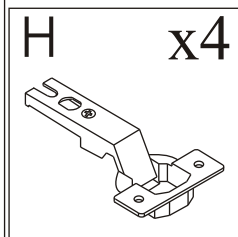
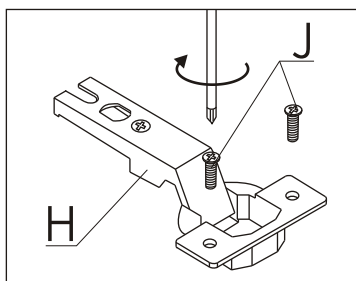
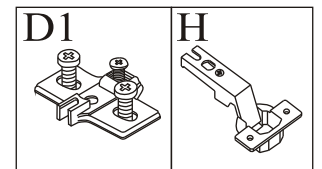
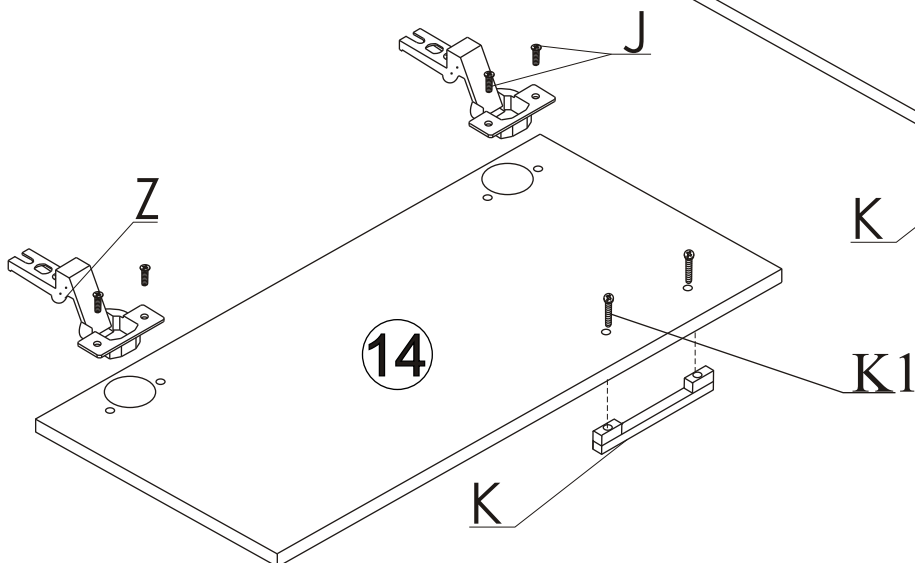
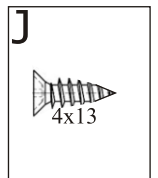
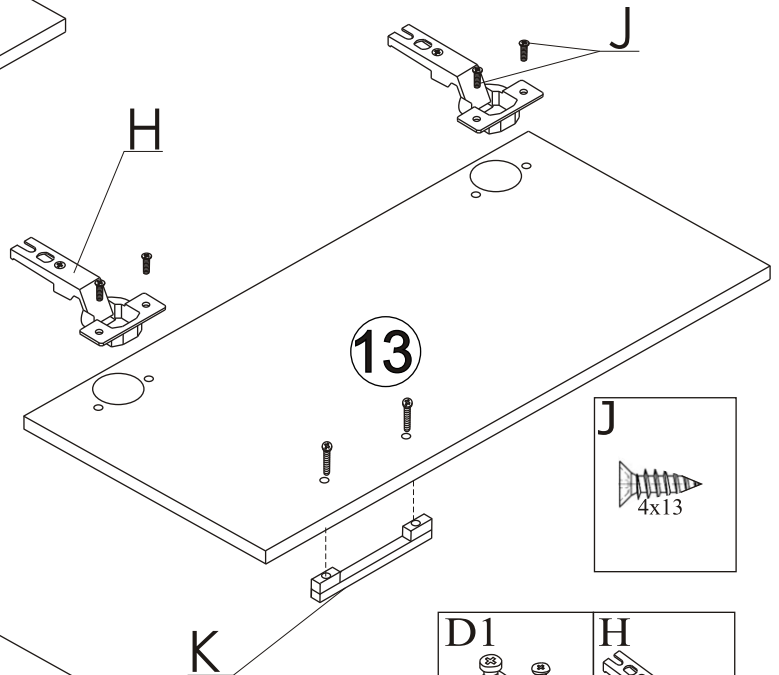
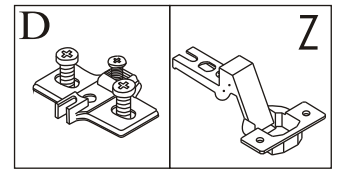
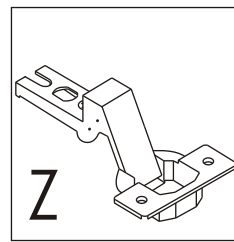
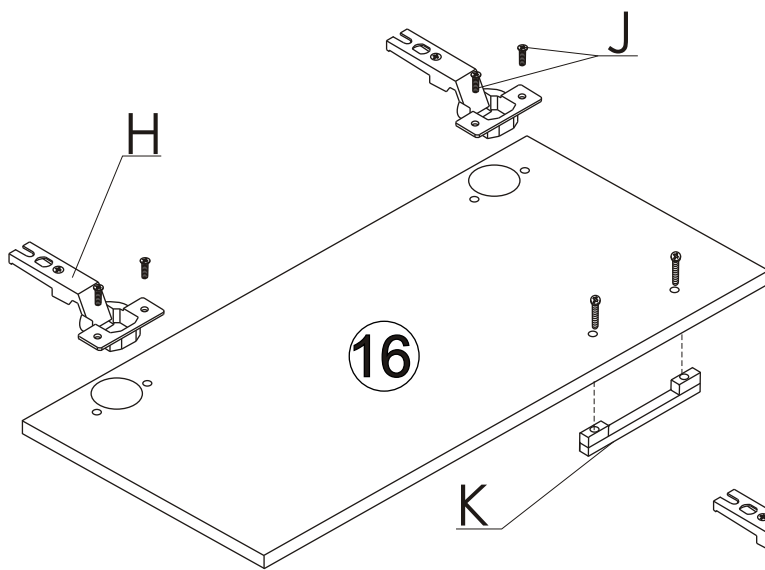
07



08



09



DRIFT HIGHBOARD

Nr 9/9

