

| | | | | | | | | | | | | |
|----|----|----|----|----|----|----|----|----|----|---------|----|----|
| HG | P | A | C | D2 | F1 | R | S | R1 | E | L=350mm | I1 | M2 |
| 2 | 4 | 12 | 12 | 14 | 4 | 8 | 2 | 4 | 14 | 1 | | 4 |
| B2 | C5 | L3 | L | O3 | O2 | O1 | O4 | A1 | J7 | | | |
| 4 | 2 | 2 | 6 | 1 | 1 | 1 | 2 | 4 | 4 | | | |

ISM - BEG0003 - 03

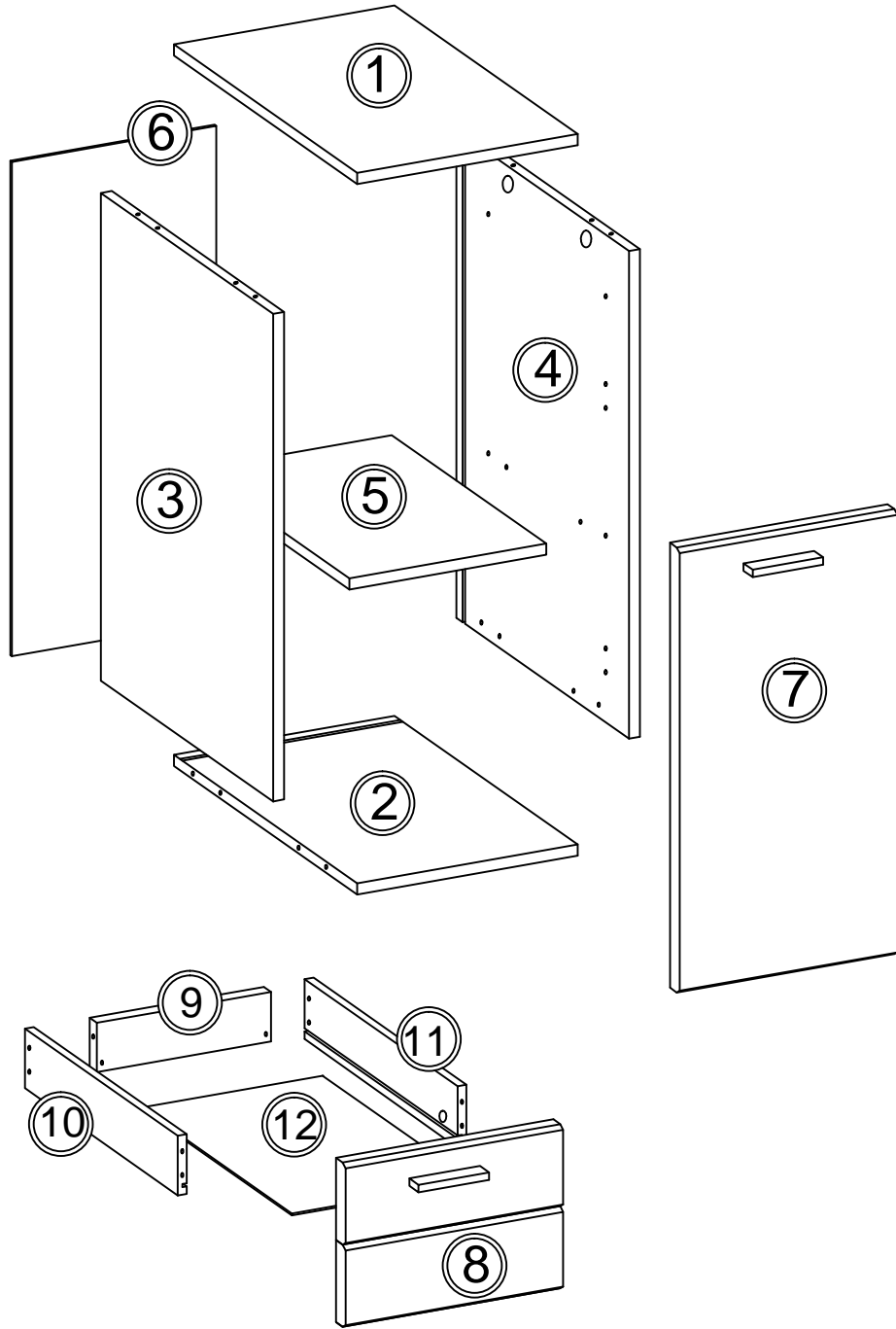


12





5

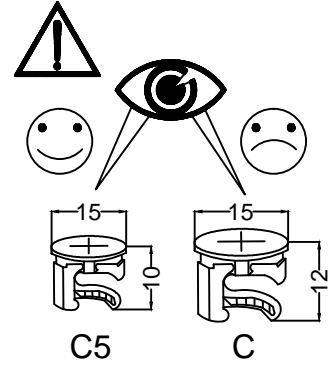
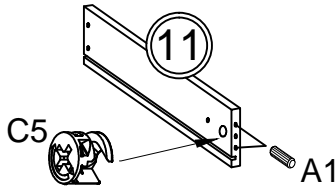
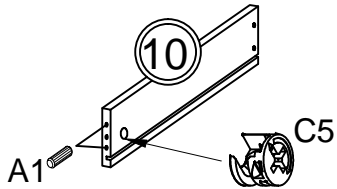
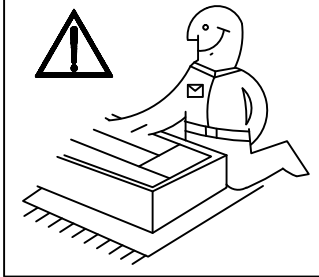
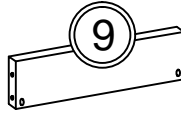
2




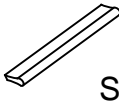

| PACK 1 / 1 | | |
|------------|------------|------|
| No. | Dimension | Qty. |
| 1 | 300x370x16 | 1 |
| 2 | 266x350x16 | 1 |
| 3 | 820x350x16 | 1 |
| 4 | 820x350x16 | 1 |
| 5 | 266x335x16 | 1 |
| 6 | 814x276x3 | 1 |
| 7 | 596x296x16 | 1 |
| 8 | 220x296x16 | 1 |
| 9 | 226x126x12 | 1 |
| 10 | 325x140x12 | 1 |
| 11 | 325x140x12 | 1 |
| 12 | 321x235x12 | 1 |

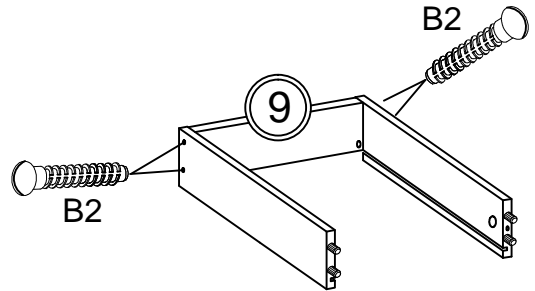
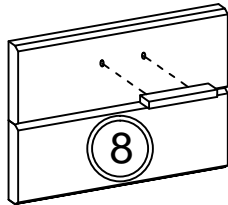
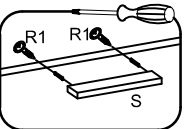
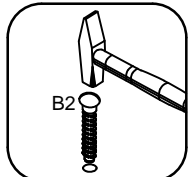
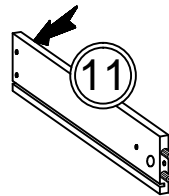
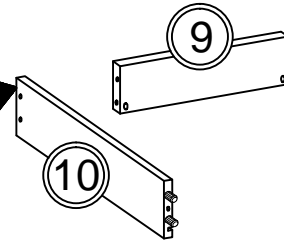
1

| | |
|--|---|
| Ø15/10mm  C5 2 | Ø6x30mm  A1 4 |
|--|---|





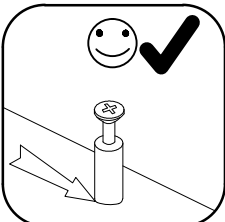
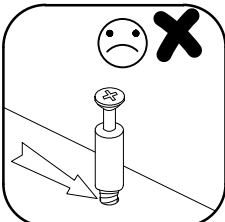
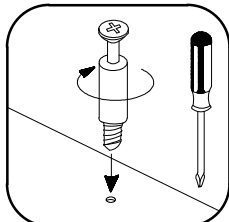
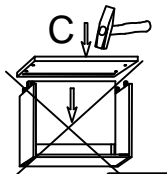
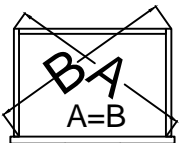
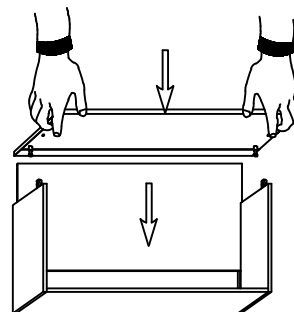
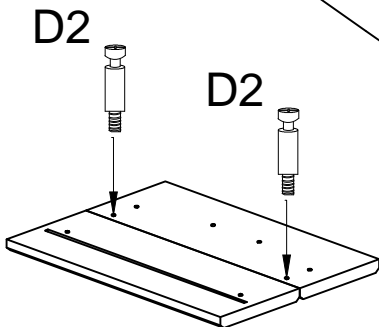
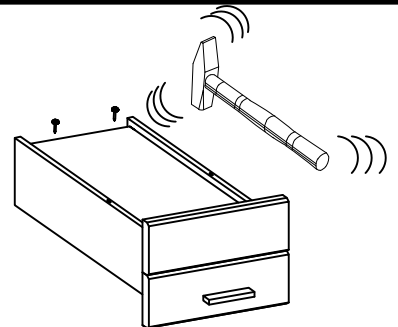
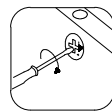
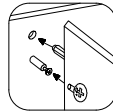
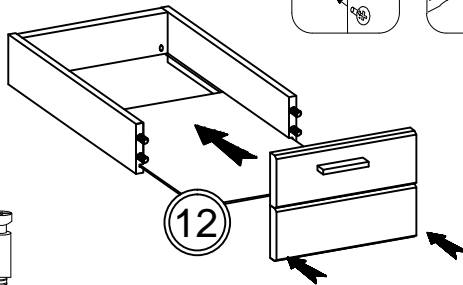
2

| | | |
|---|---|---|
| Ø6x42mm  B2 4 | L=96mm  S 1 | Ø3.5x25mm  R1 2 |
|---|---|---|








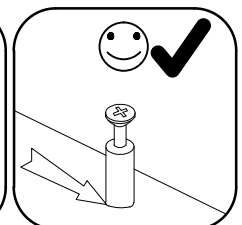
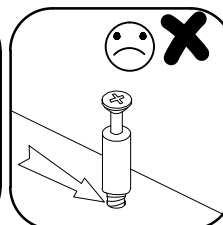
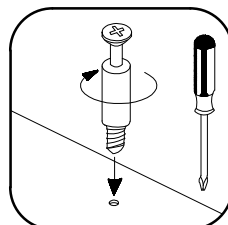
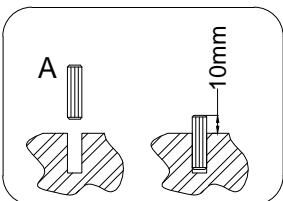
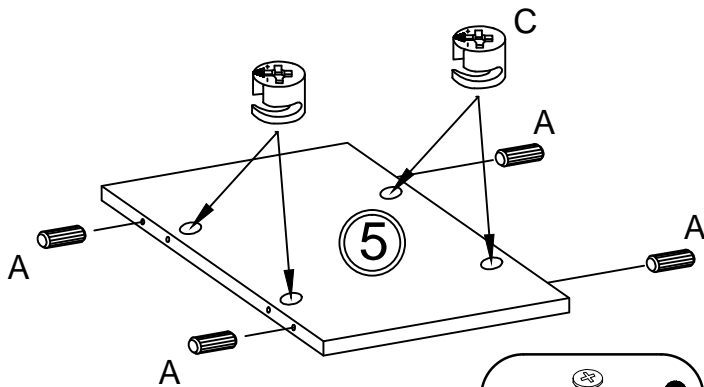
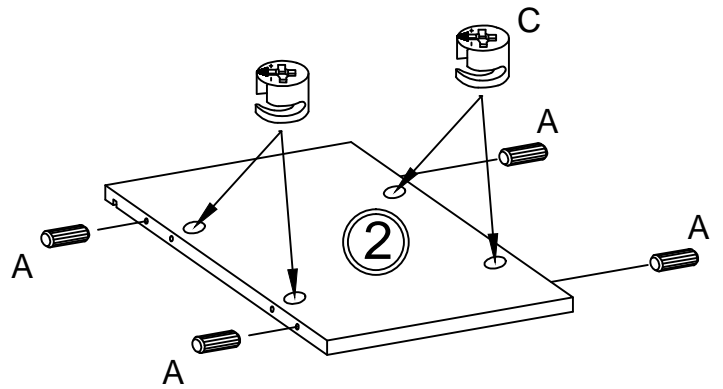
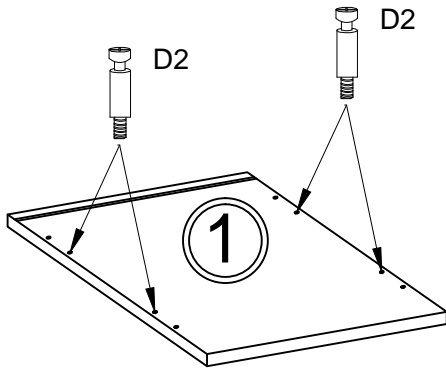
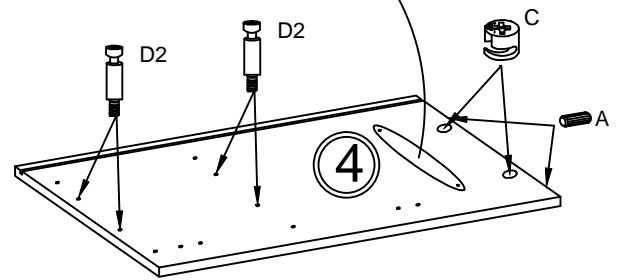
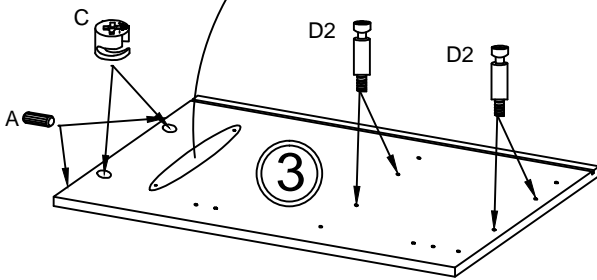
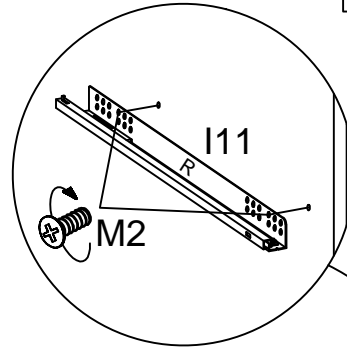
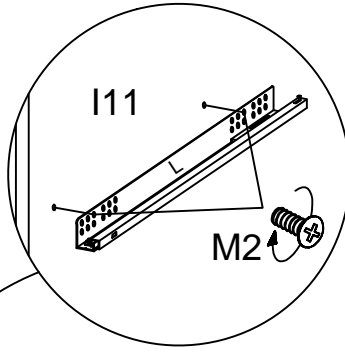
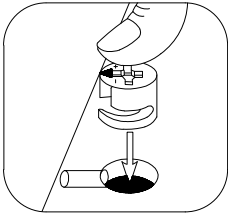
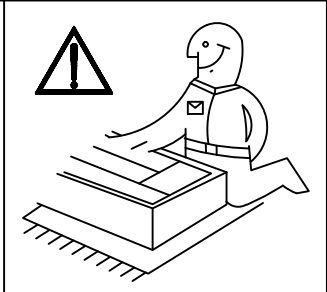
3

| | |
|--|--|
|  D2 2 |  L3 2 |
|--|--|

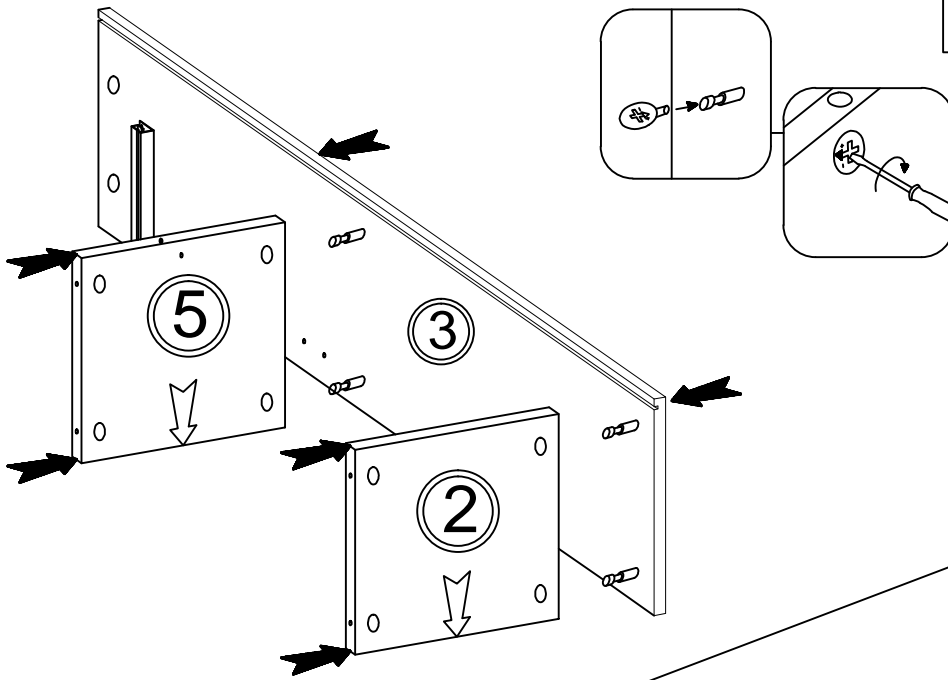
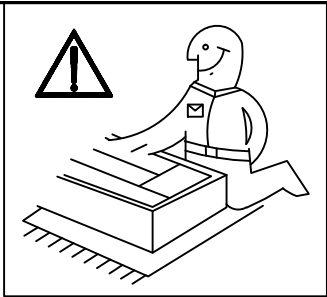


3

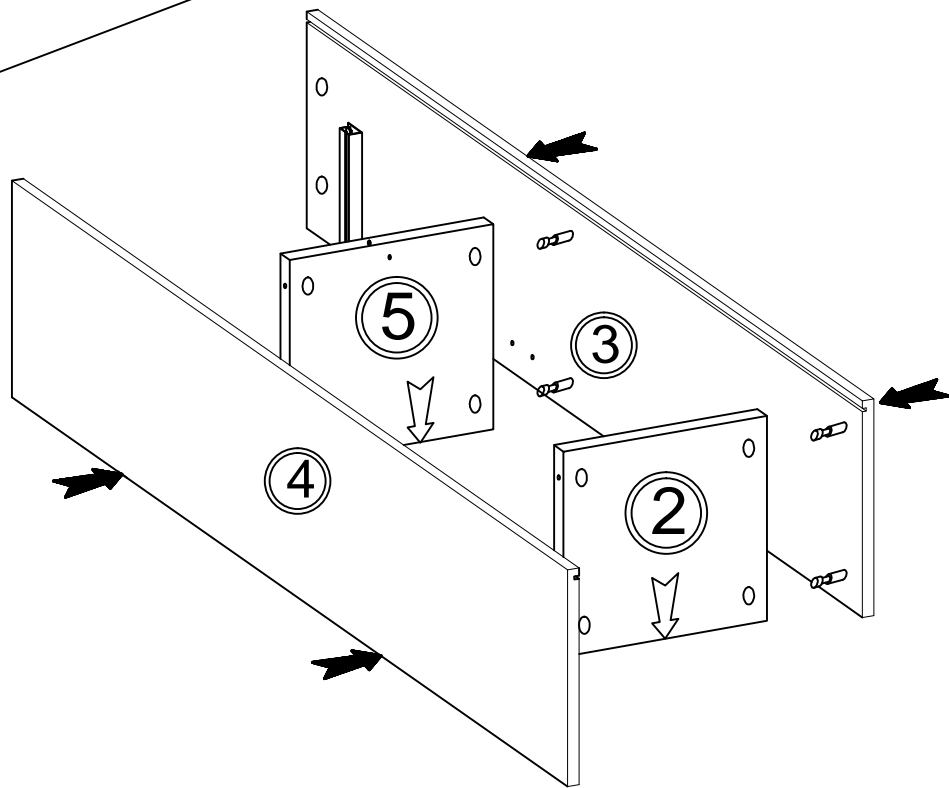
| | | | | |
|---|---|---|---|---|
|  |  |  |  |  |
| A | C | D2 | I11 | M2 |
| 12 | 12 | 12 | 1 | 4 |



5

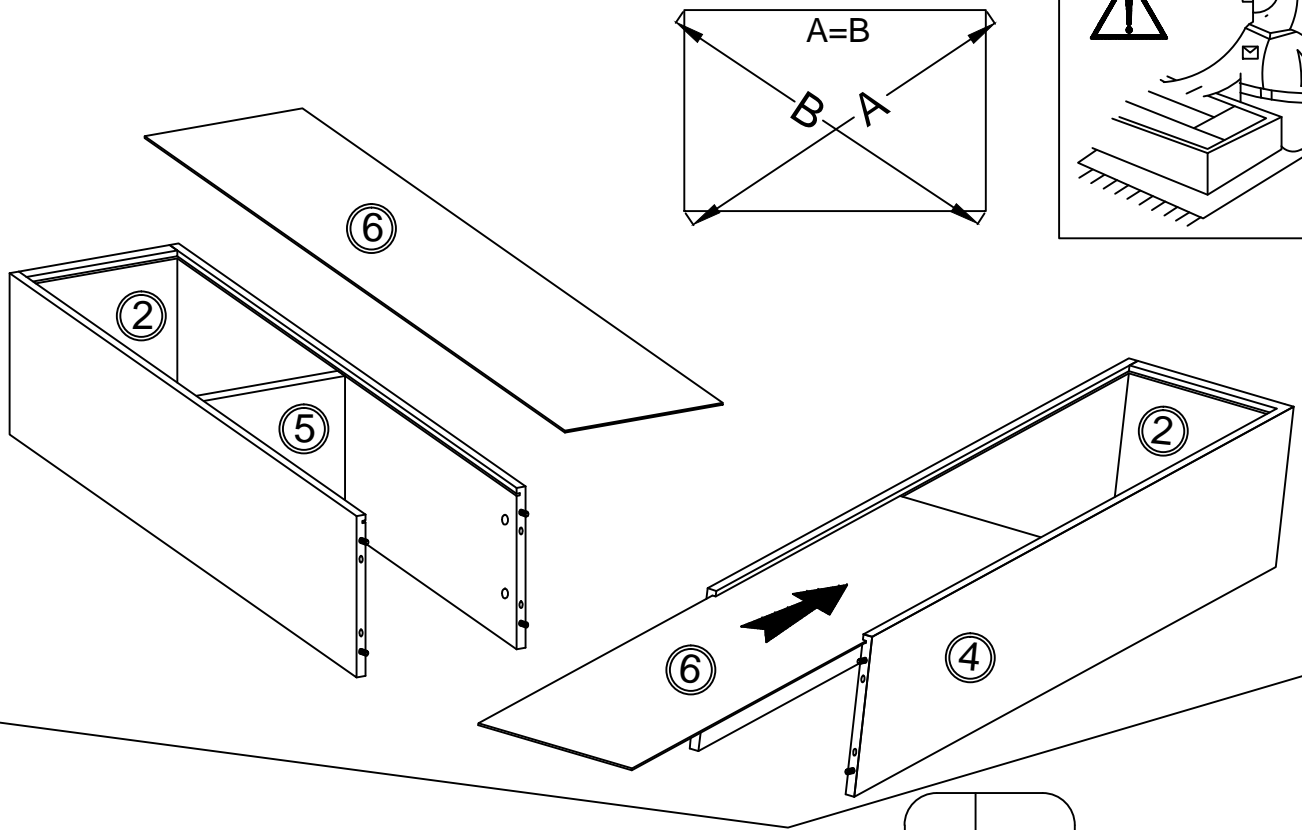


6



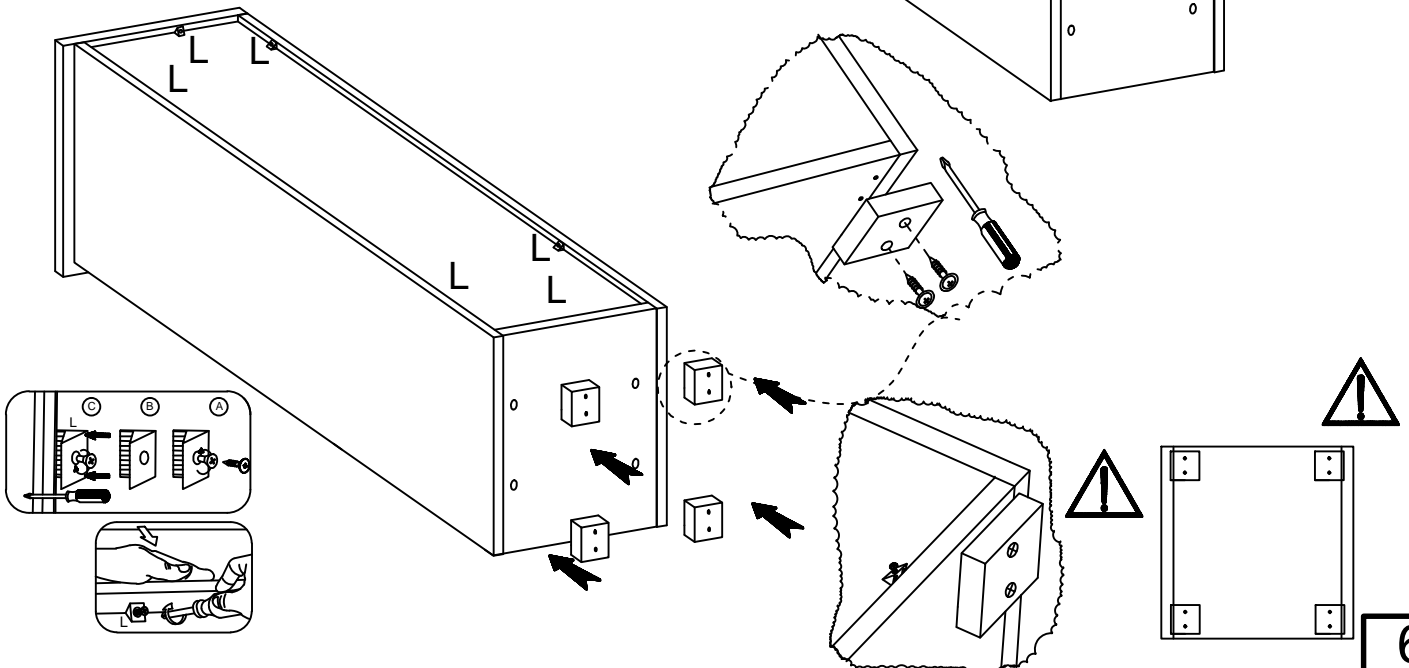
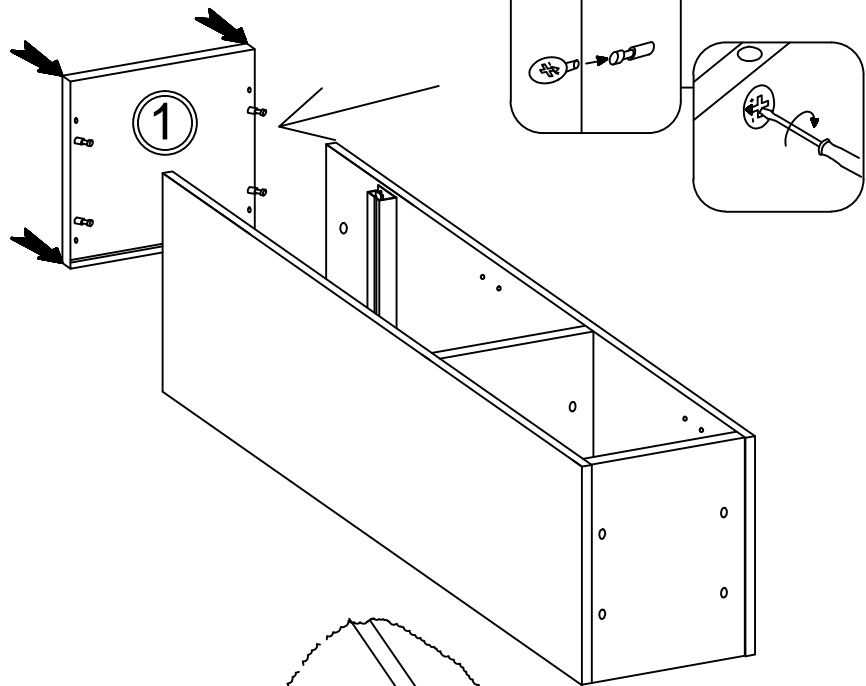
5

7

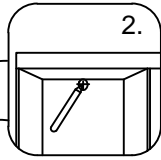
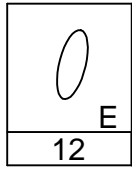


8

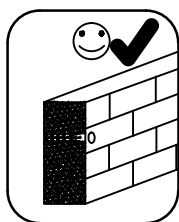
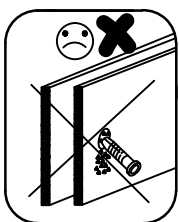
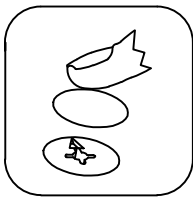
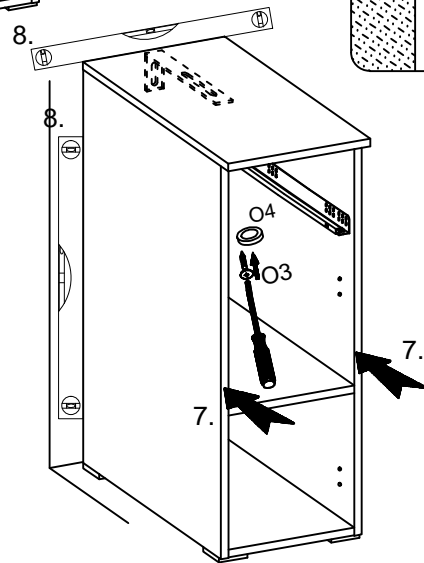
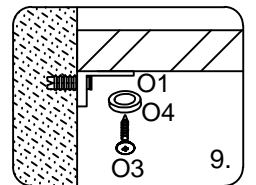
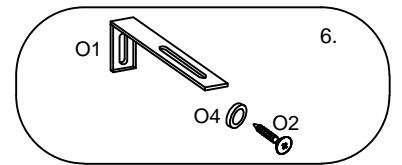
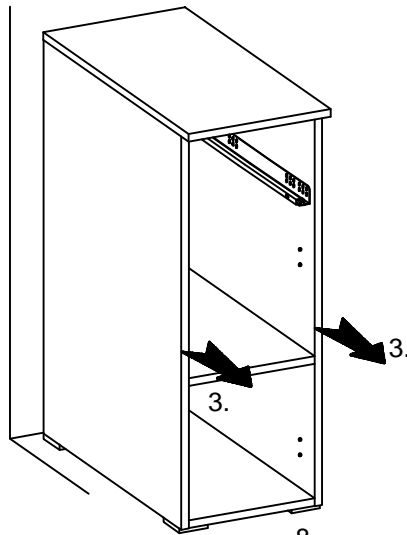
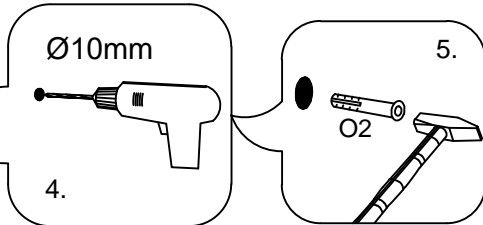
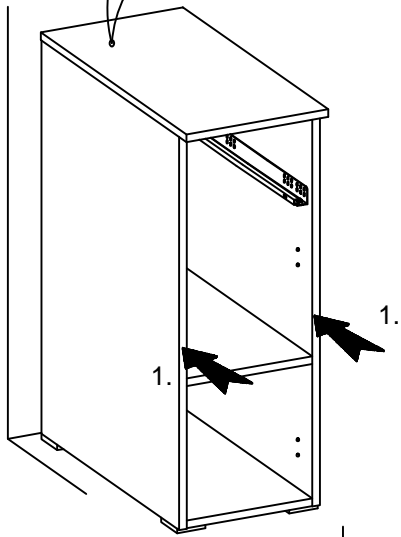
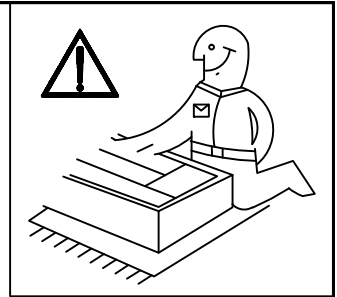
| | | |
|----------|-----------|---|
| 60x60x25 | Ø4.0x30mm | |
| | | |
| F1 | R | L |
| 4 | 8 | 6 |



6

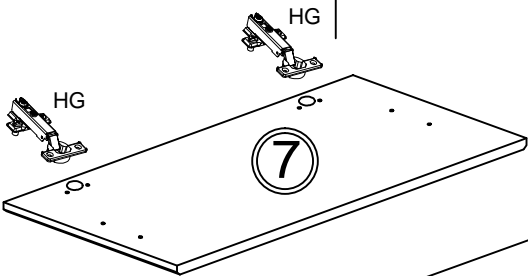
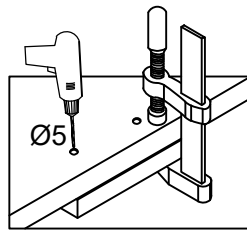
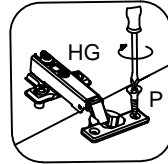
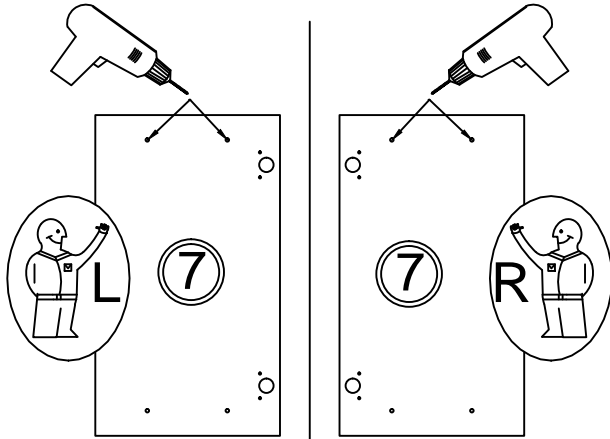
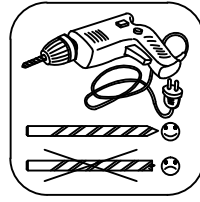


| | | | |
|----------------------|-------------|-----------------------|-------------|
| Ø4.0x18mm O3 1 | O2 1 | 75x30x15mm O1 1 | O4 2 |
|----------------------|-------------|-----------------------|-------------|



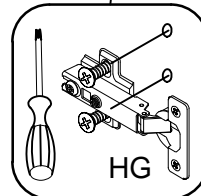
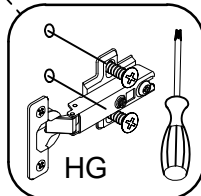
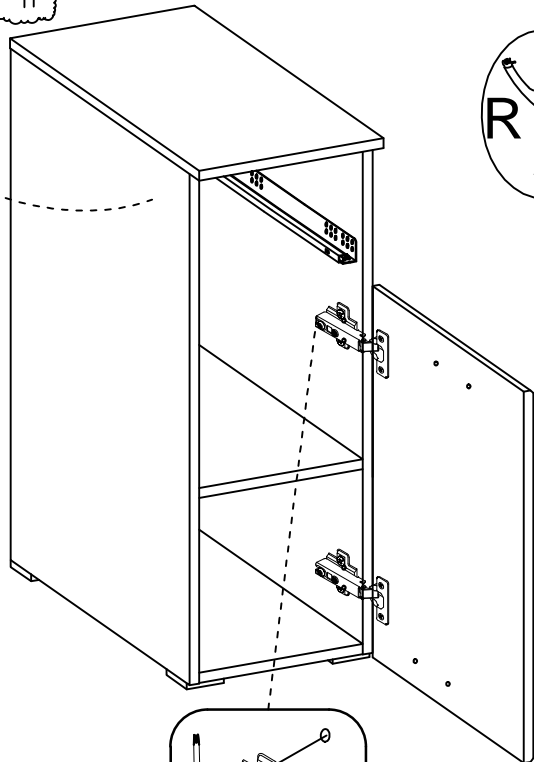
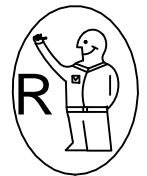
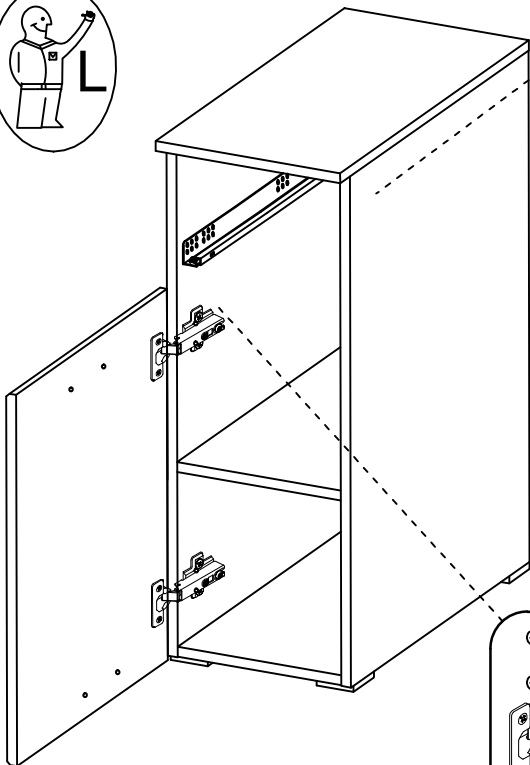
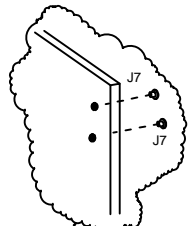
10

| | |
|--------------------|---------------------|
| Ø35/0mm HG 2 | Ø4.0x13mm P 4 |
|--------------------|---------------------|

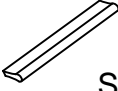



11

| |
|-------------------|
| Ø5/4mm J7 4 |
|-------------------|



8

| | |
|---|---|
| L=96mm | Ø3.5x25mm |
|  |  |
| S | R1 |
| 1 | 2 |

