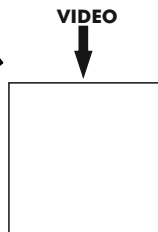
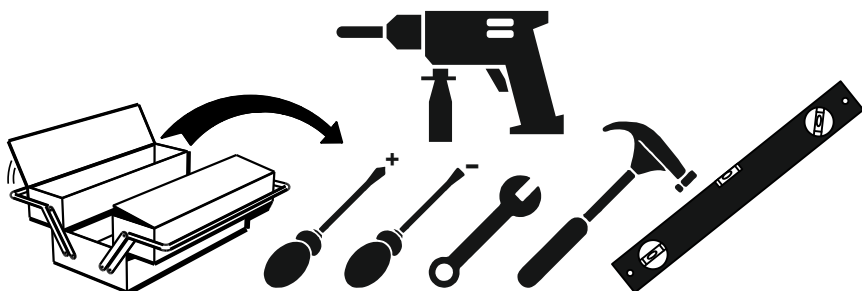
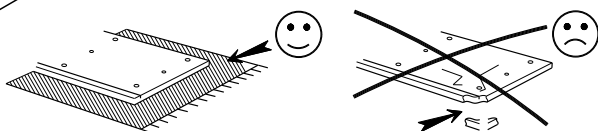
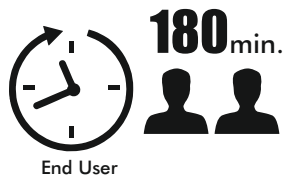
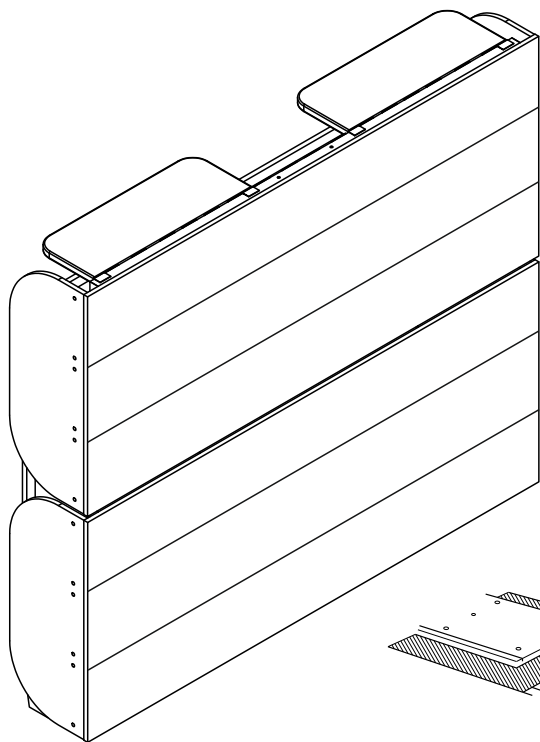




MULTIMO

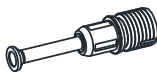




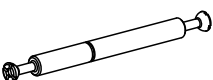

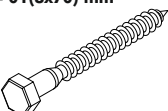

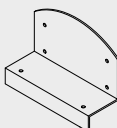
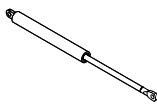
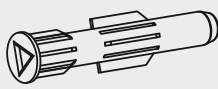



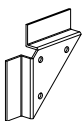

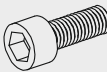
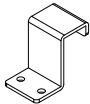
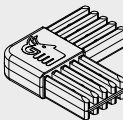

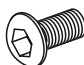
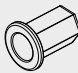

750- SIMPLE BUNK

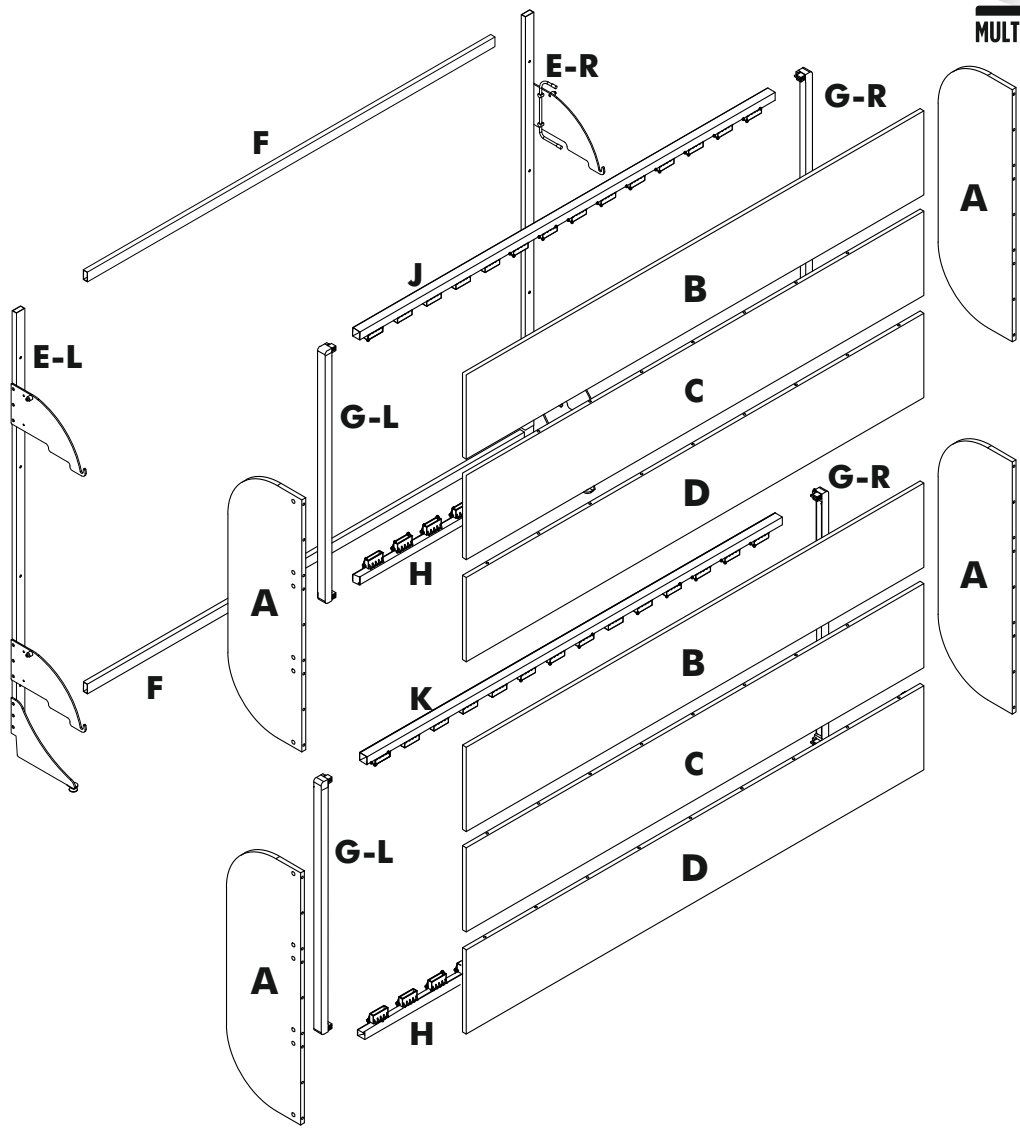


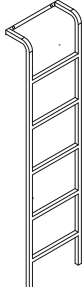
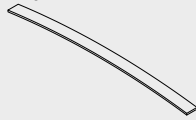


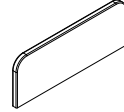
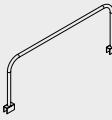
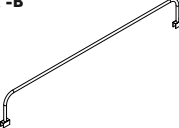
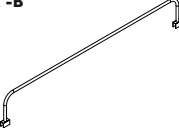
link

Track Title	Piece	(inch)			(mm)			
		Thickness	Length	Width	Piece	Thick	Height	Most
A	4	0,71	36,14	13,58	4	18	918	345
B	2	0,71	84,17	12,09	2	18	2138	307
C	2	0,71	84,17	12,09	2	18	2138	307
D	2	0,71	84,17	12,09	2	18	2138	307
E-R / E-L	2		65,94		2		1675	
F	2		75,98		2		1930	

Accessories List

MXN 02  24 / piece	MNG - 01  64 / piece	KVL 01  28 / piece	TAP - 01  64 / piece
SG - 01  8 / piece	MXN - 03  20 / piece	VTB - 02 (4,2x16) mm  72 / piece	TFC - 01(8x70) mm  14 / piece
SC-79  2 / piece	SC-78  4 / piece	AMR 03 (300 N)  4 / piece	DD - 01 (R10)  14 / piece
BKA - 01  2 / piece	PL - 04 (5x12x0,7) mm  16 / piece	YSB - 01 (3,9x16) mm  16 / piece	SC-98  2 / piece
KCE - 01  8 / piece	IM - 02 (6x20) mm  8 / piece	SC-110  28 / piece	KBY- 02  4 / piece
SYS-01  2 / piece	CTM - 01 (6x10) mm  8 / piece	SKT 01  8 / piece	CTM - 04 (8x25) mm  6 / piece

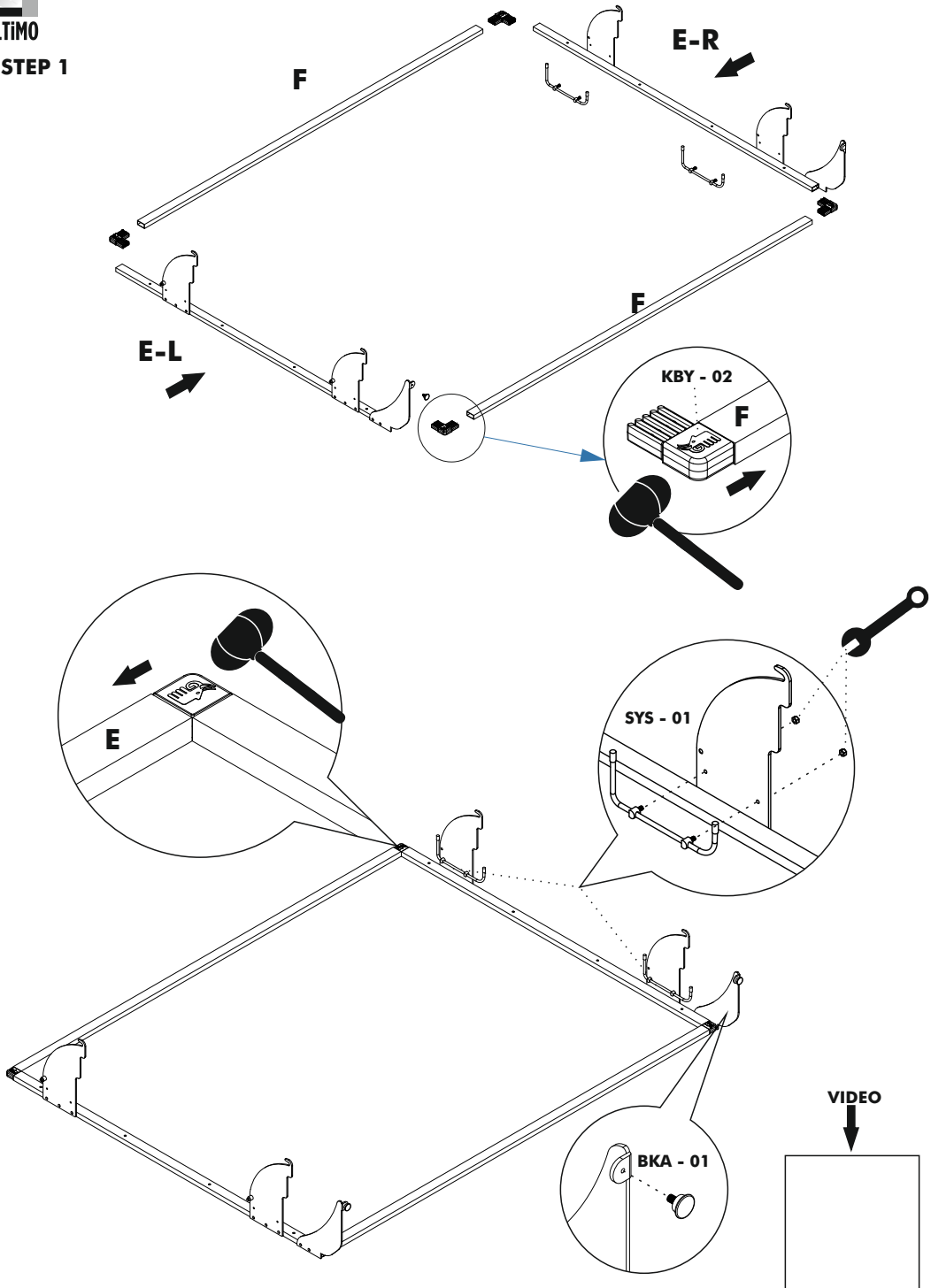


<p>MRD 01</p>  <p>1 / piece</p>	<p>LTA - 01</p>  <p>28 / piece</p>	<p>AL - 01 (4MM)</p>  <p>1 / piece</p>	<p>AL - 02 (5MM)</p>  <p>1 / piece</p>
<p>KLF - F (fabric cover)</p>  <p>2 / piece</p>	<p>KOR - F</p>  <p>2 / piece</p>	<p>KOR - B</p>  <p>2 / piece</p>	<p>KOR - B</p>  <p>2 / piece</p>



MULTIMO

STEP 1

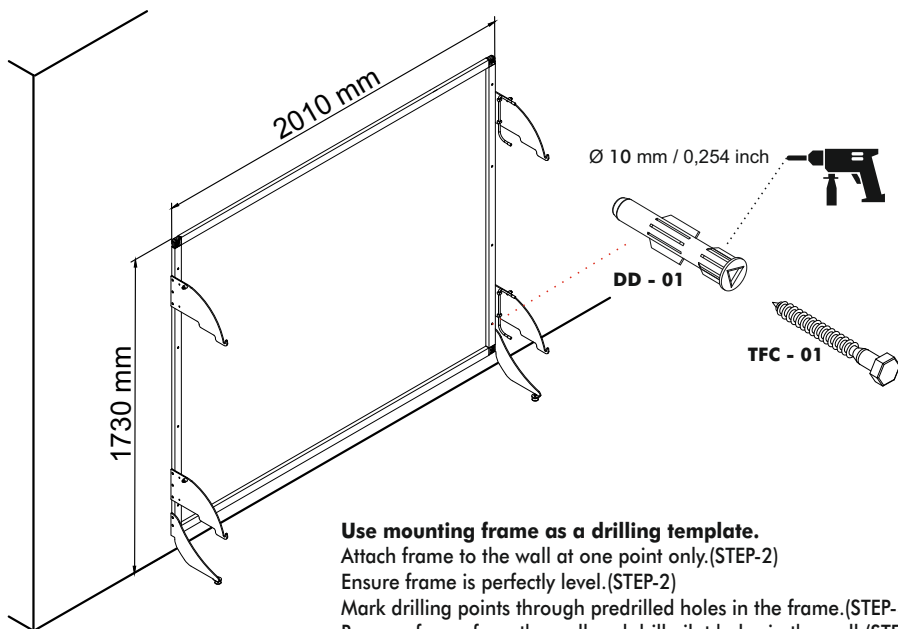




ATTENTION!!!

Must be secured to the wall made of brick, concrete or similarly strong material.
Mounting to wooden or metal studs is also acceptable.
Do not mount directly to sheetrock or paper-mache type walls not supported by studs.

STEP 2



Use mounting frame as a drilling template.

Attach frame to the wall at one point only. (STEP-2)

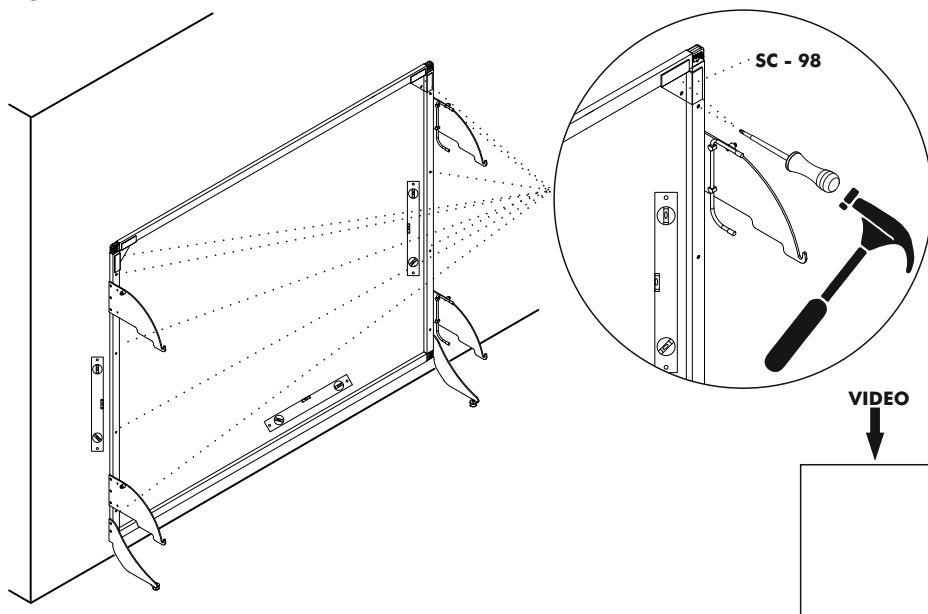
Ensure frame is perfectly level. (STEP-3)

Mark drilling points through predrilled holes in the frame. (STEP-3)

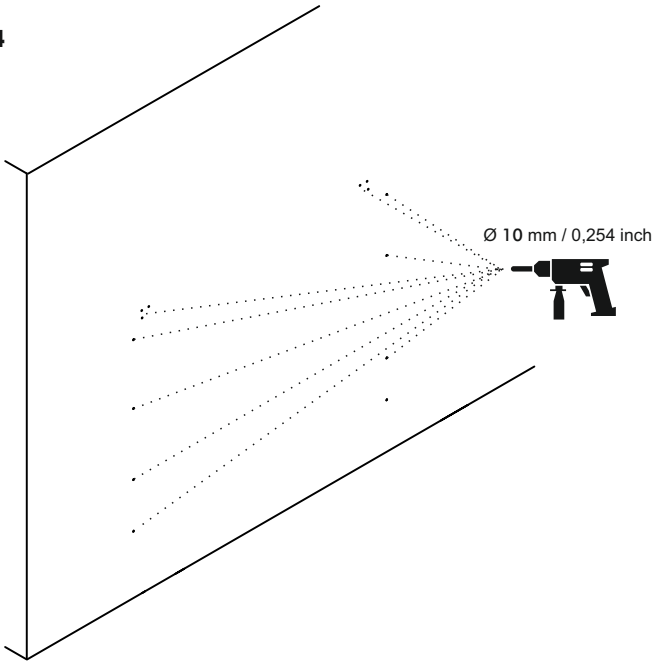
Remove frame from the wall and drill pilot holes in the wall. (STEP-4)

Attach frame to the wall using supplied hardware. (STEP-5-6)

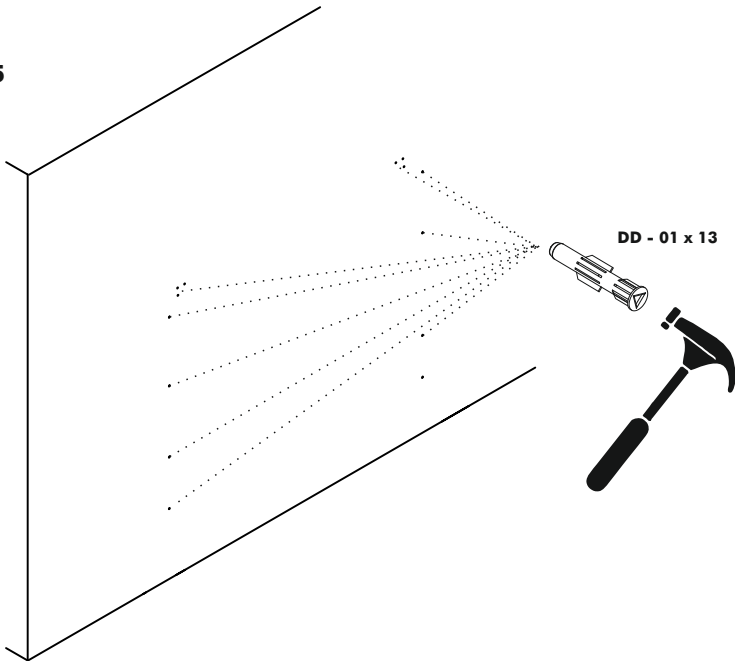
STEP 3



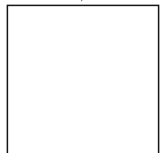
STEP 4



STEP 5

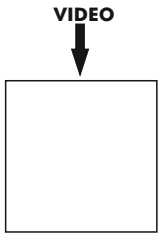
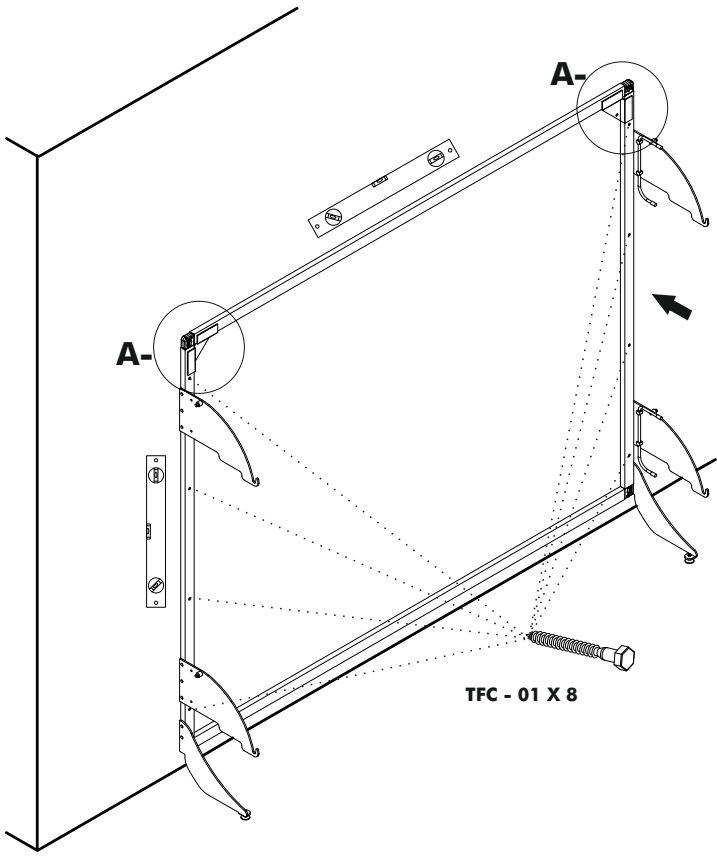
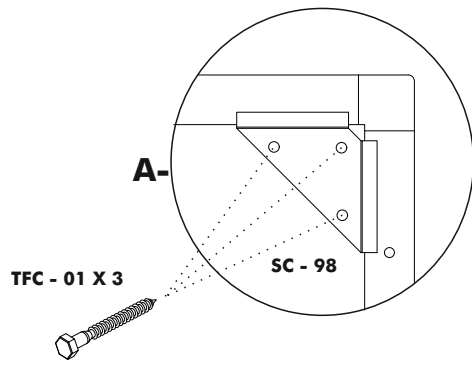


VIDEO



link

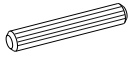
STEP 6



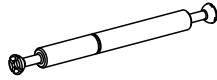
STEP 7



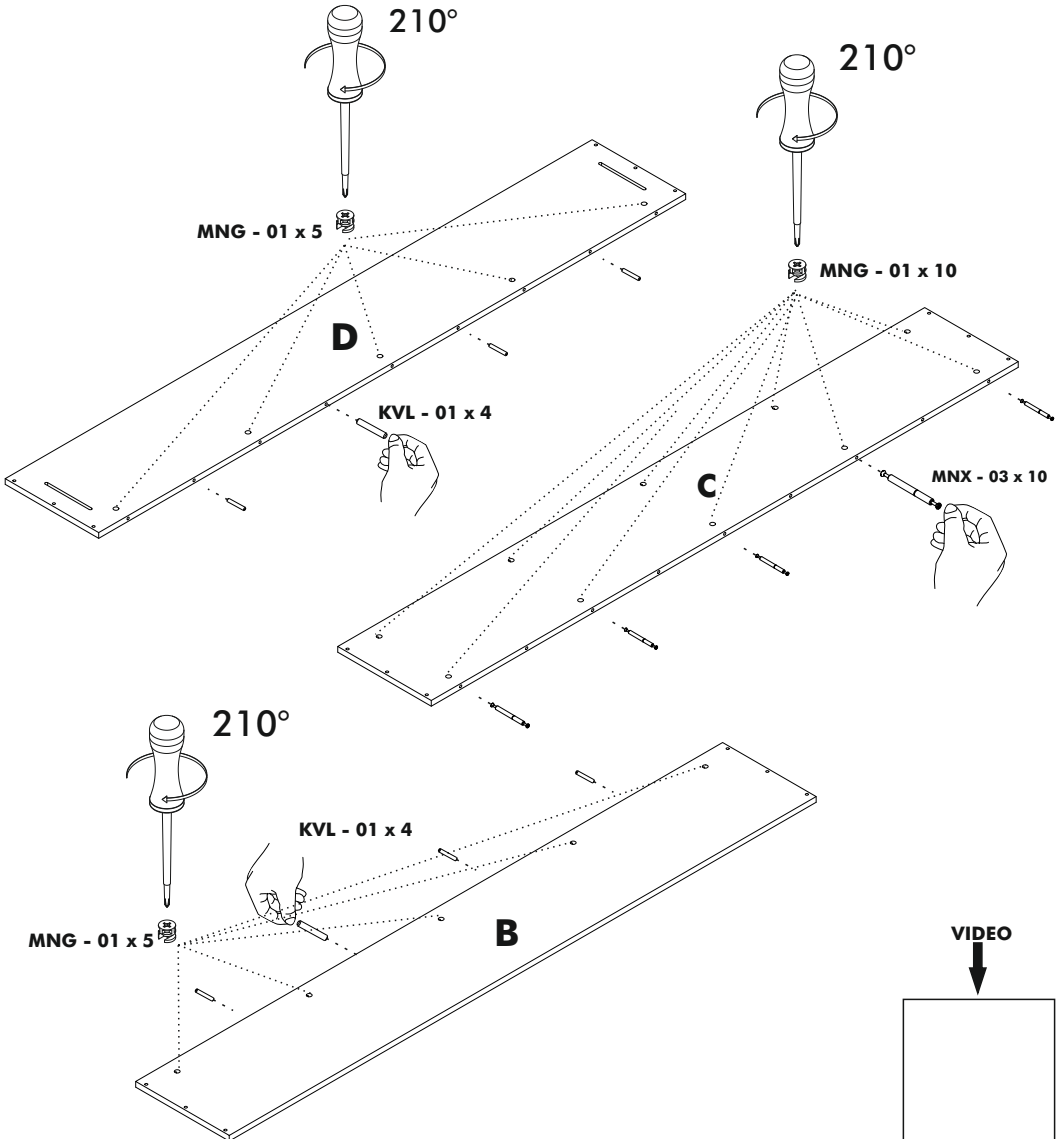
MNG - 01



KVL 01



MNX - 03

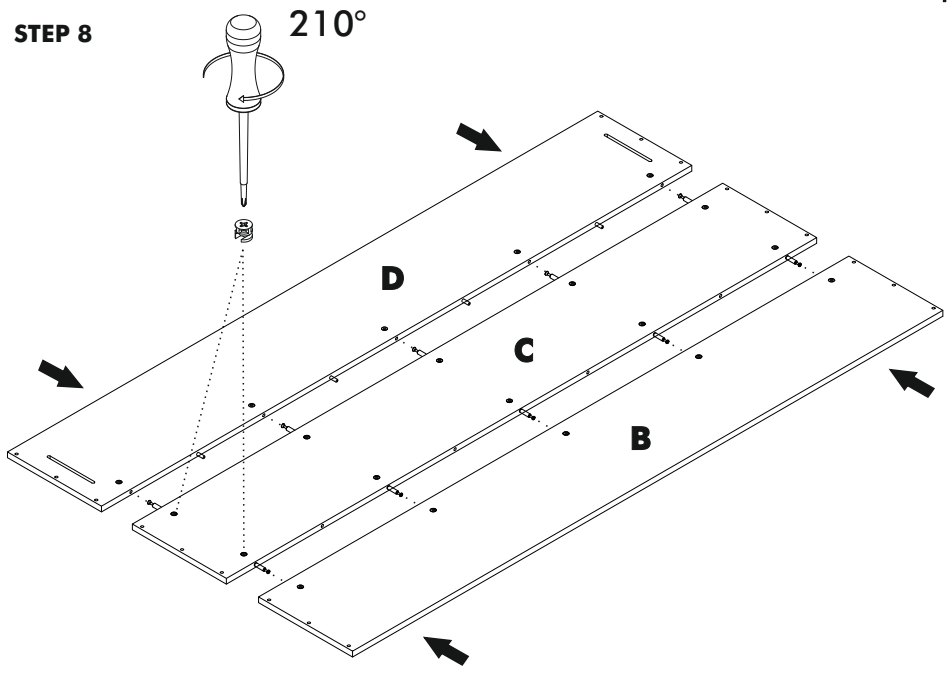


VIDEO

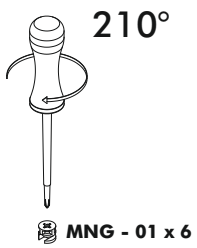
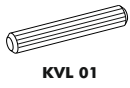


link

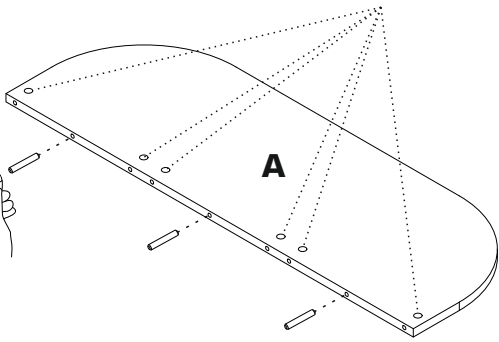
STEP 8



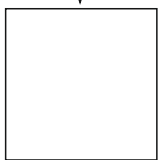
STEP 9



KVL - 01 x 3



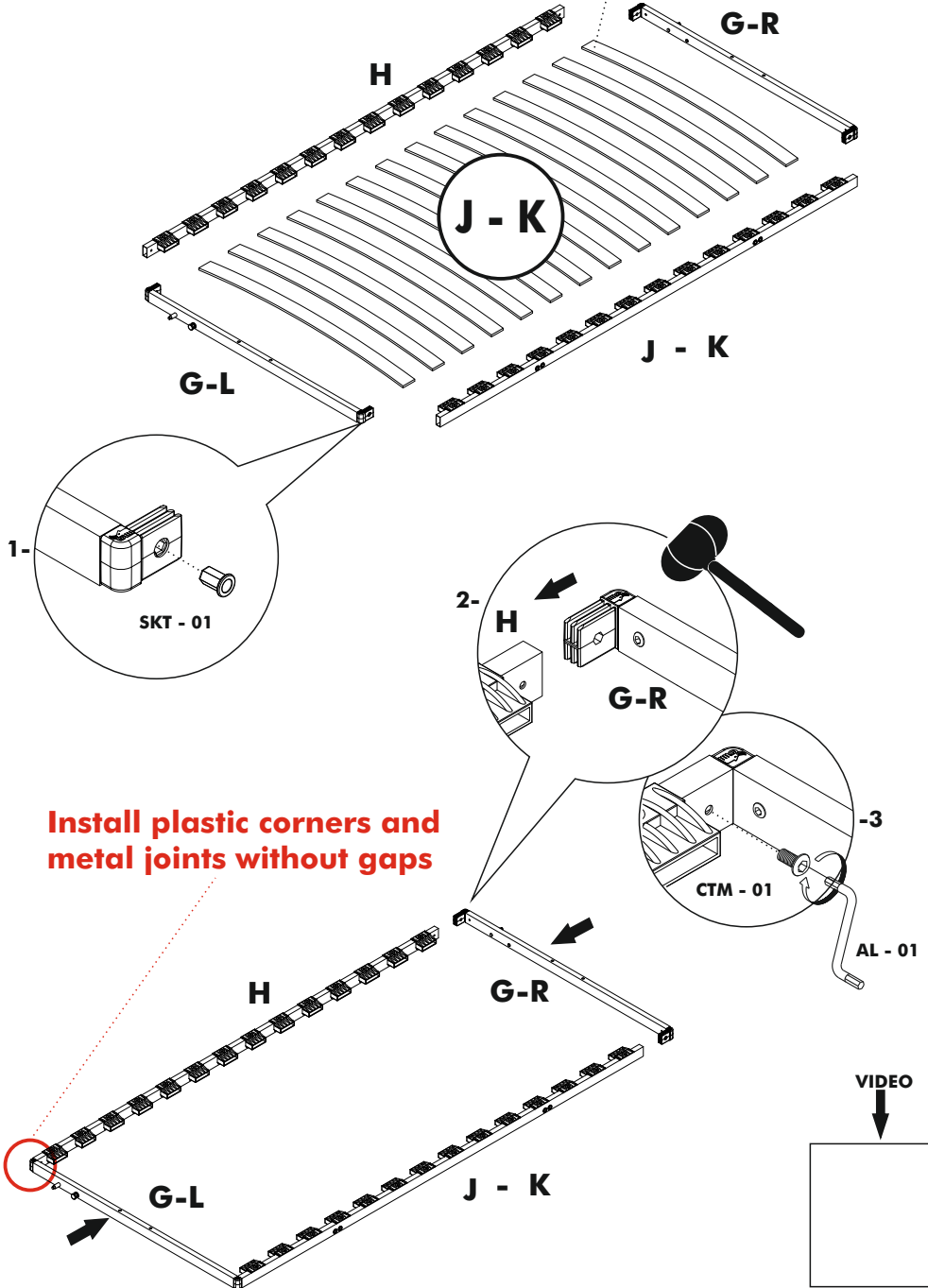
VIDEO



link

STEP 10

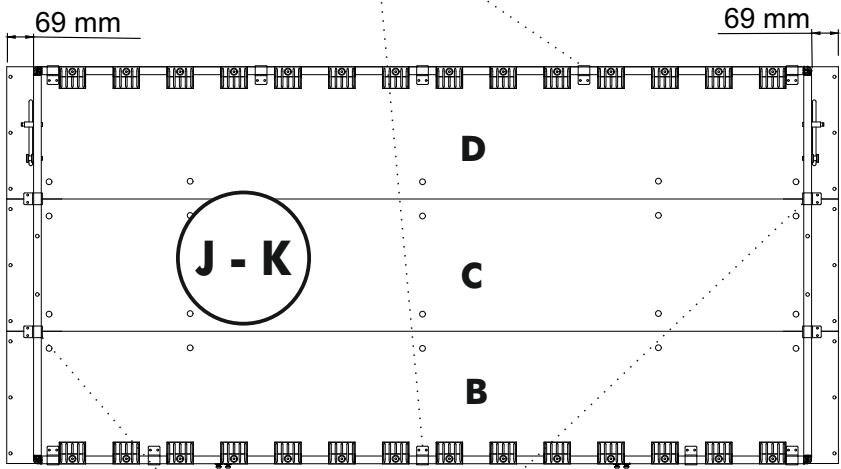
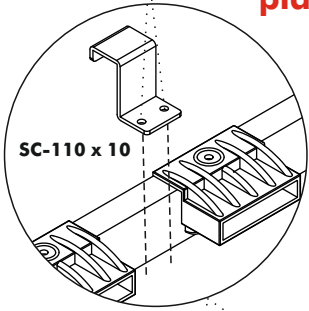
LTA - 01 x 14



STEP 11

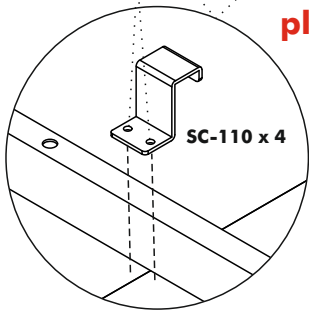
VTB - 02 x 20

Assemble the brackets over the places shown over H,J,K profiles

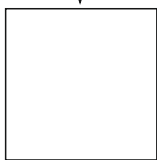


VTB - 02 x 8

Assemble the brackets over the places shown over G-L,G-R profiles

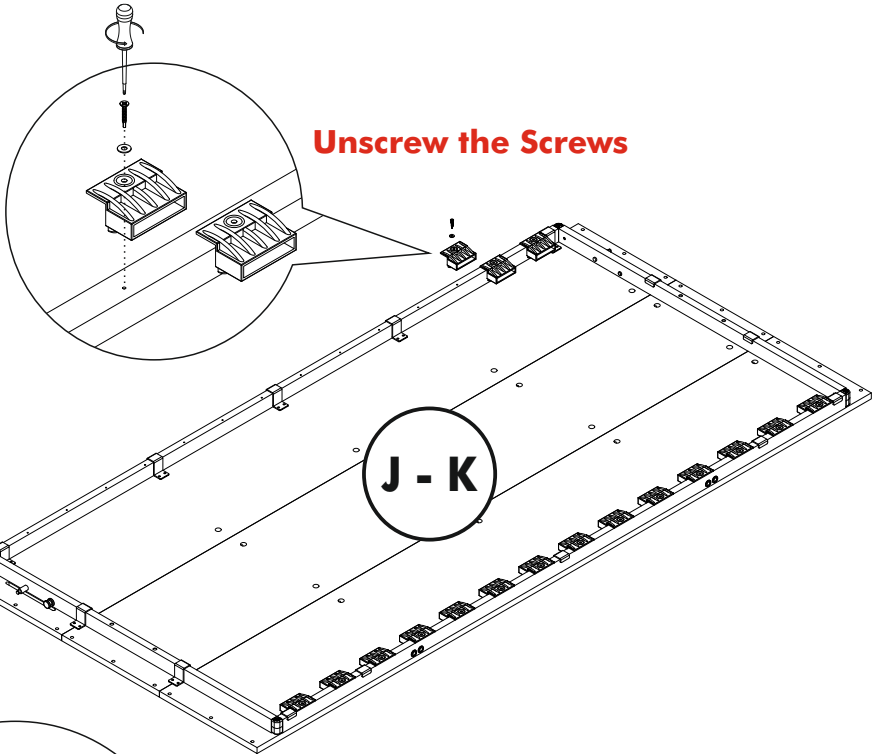


VIDEO

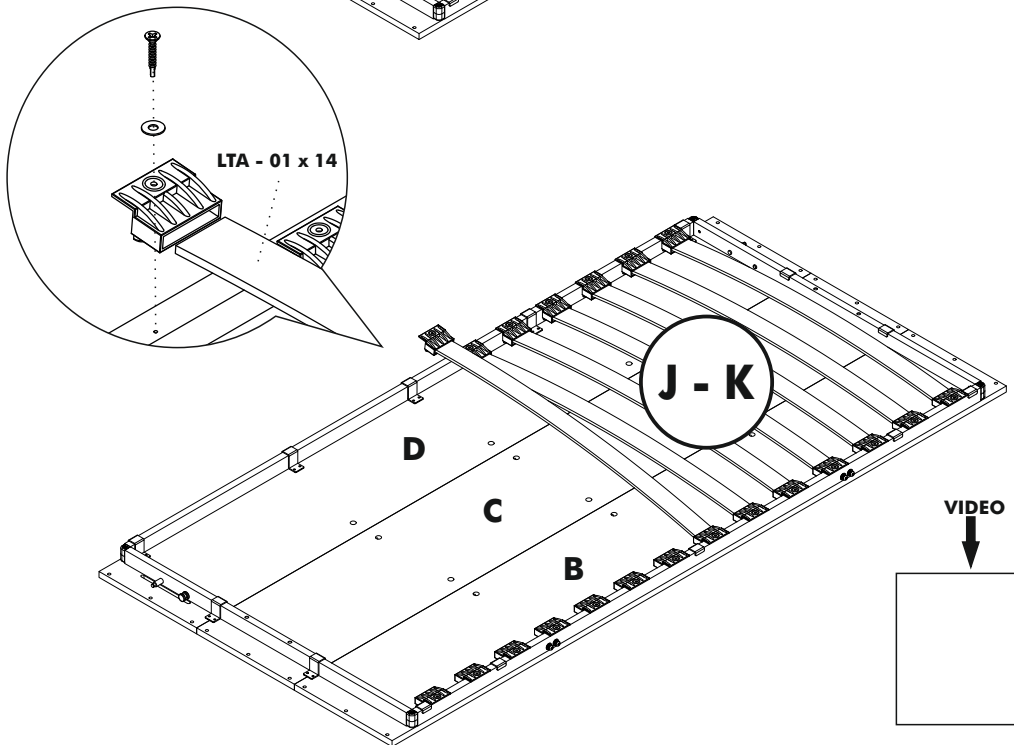


link

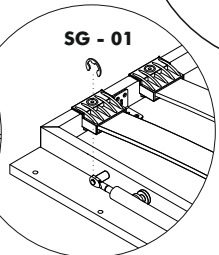
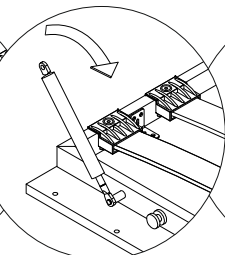
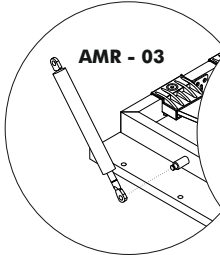
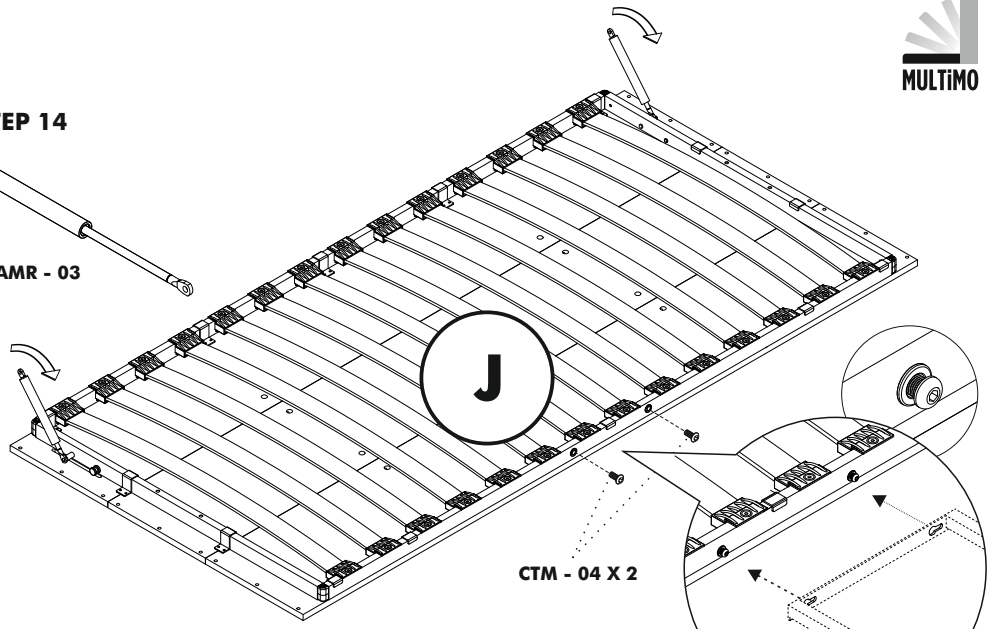
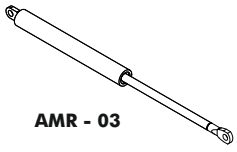
STEP 12



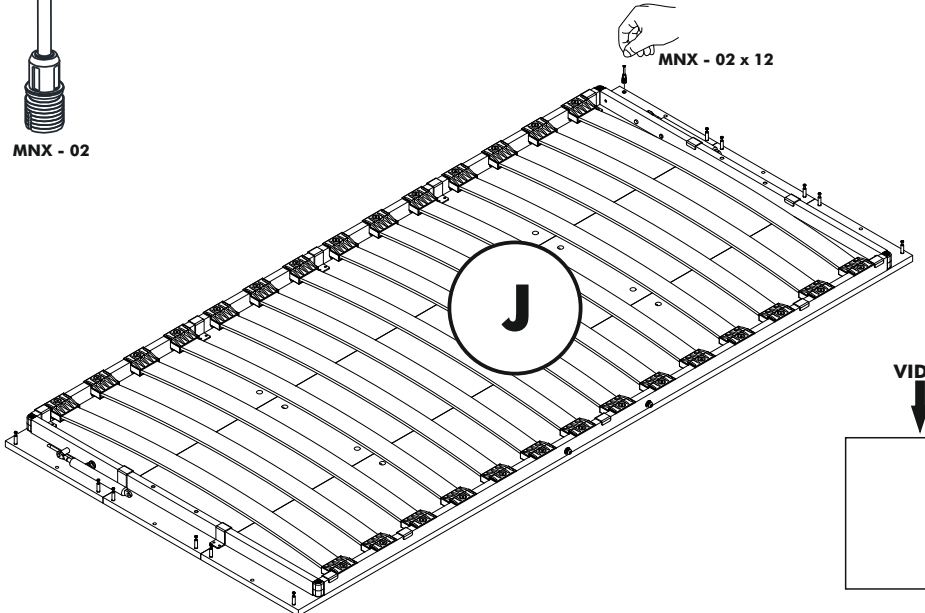
STEP 13



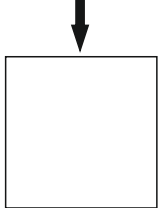
STEP 14



STEP 15

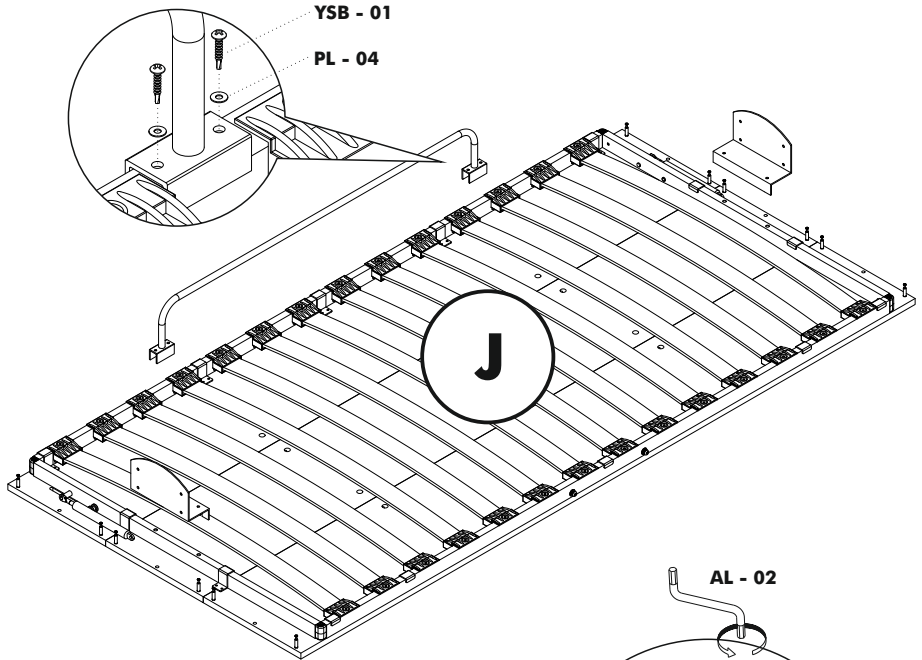


VIDEO

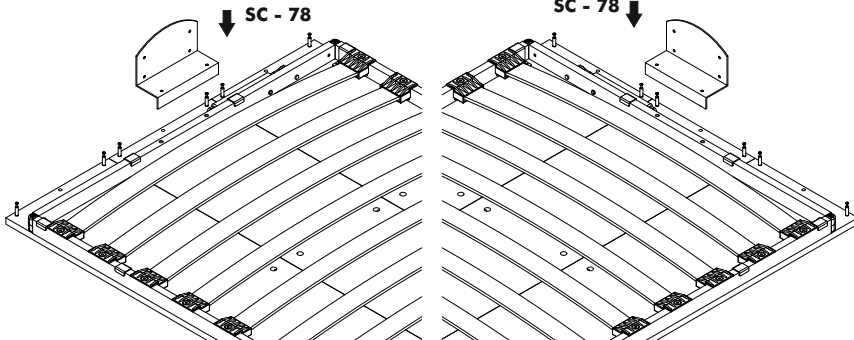
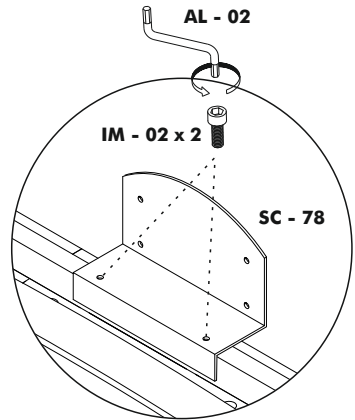


link

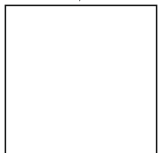
STEP 16



STEP 17

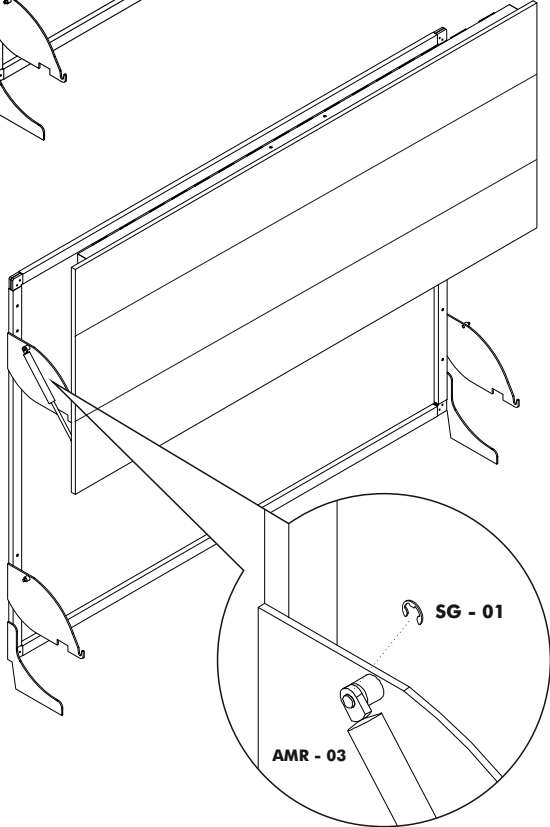
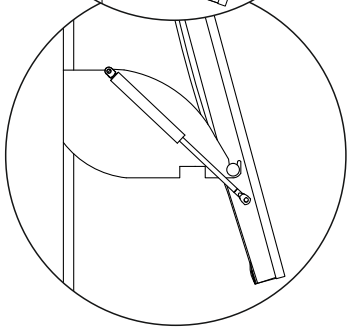
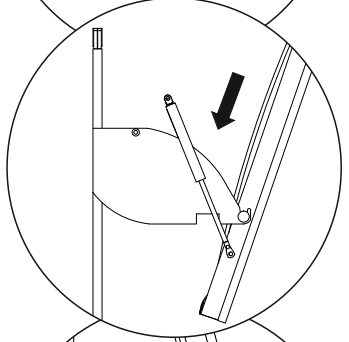
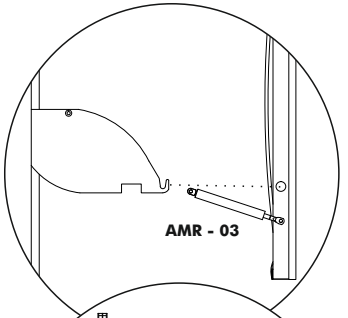
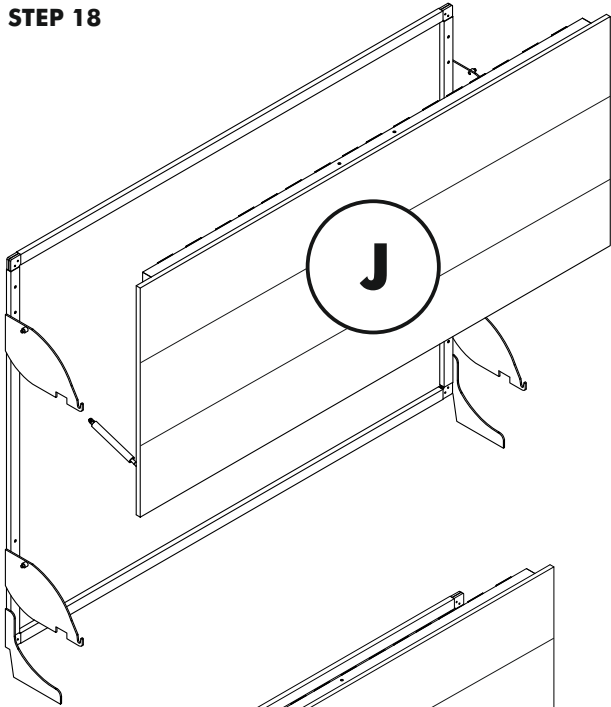


VIDEO

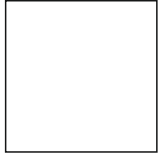


link

STEP 18

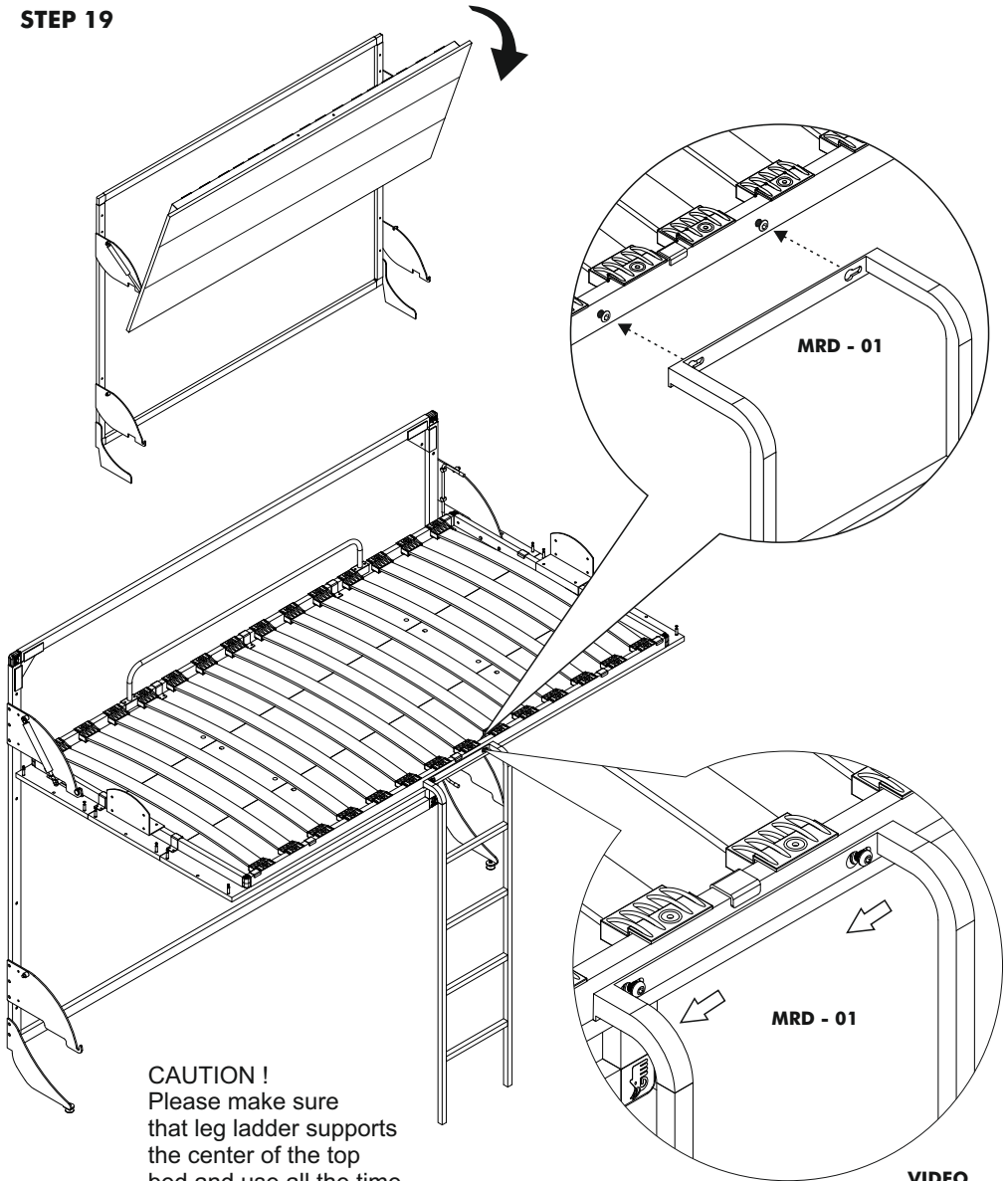


VIDEO



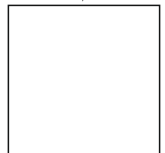
link

STEP 19



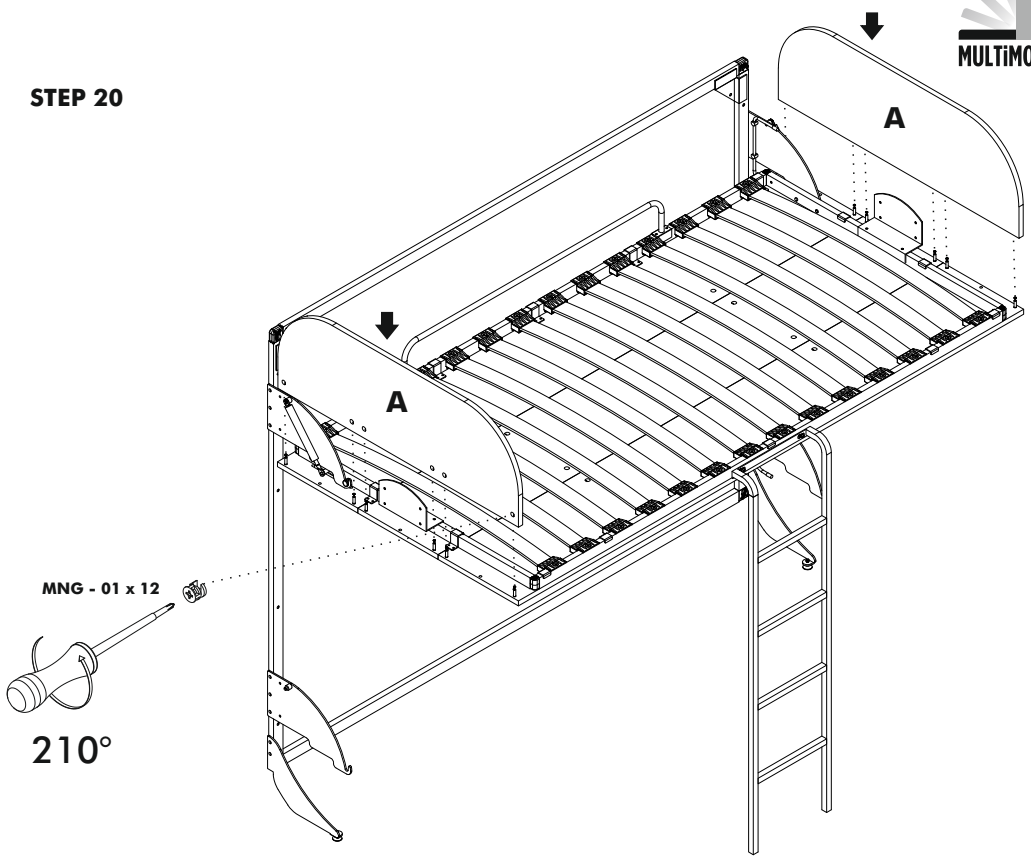
CAUTION !
Please make sure
that leg ladder supports
the center of the top
bed and use all the time
when the bed is open

VIDEO

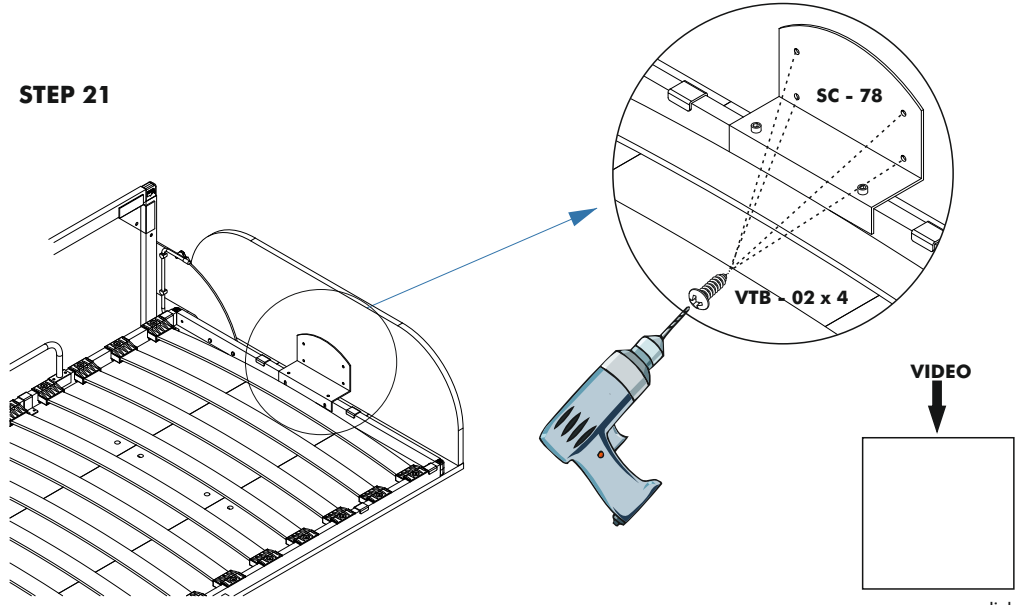


link

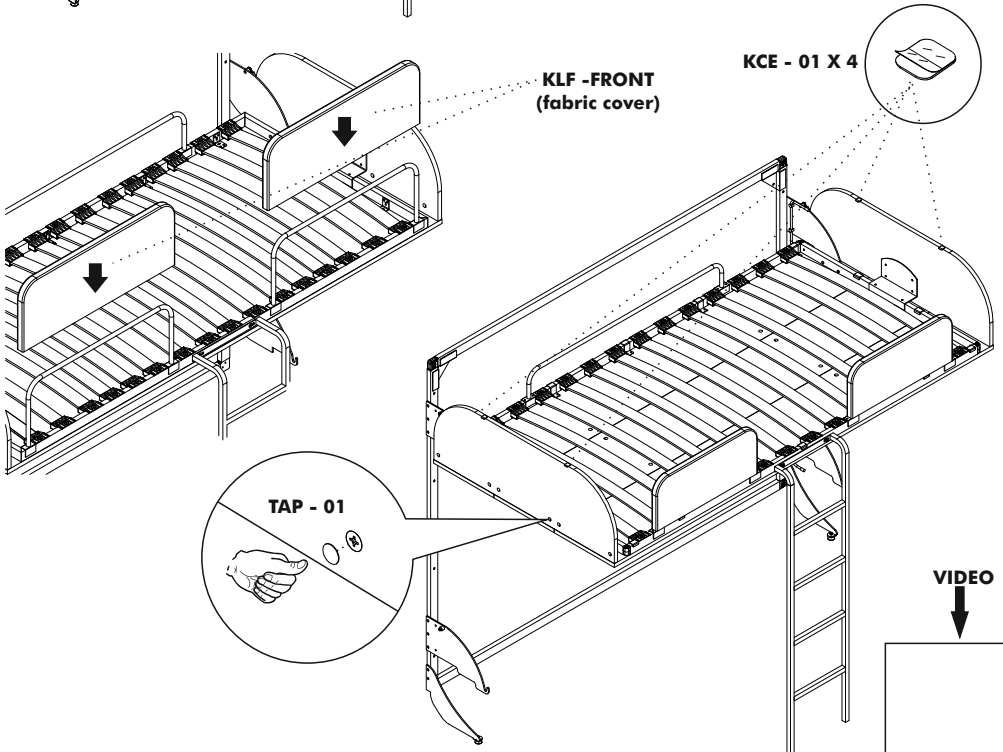
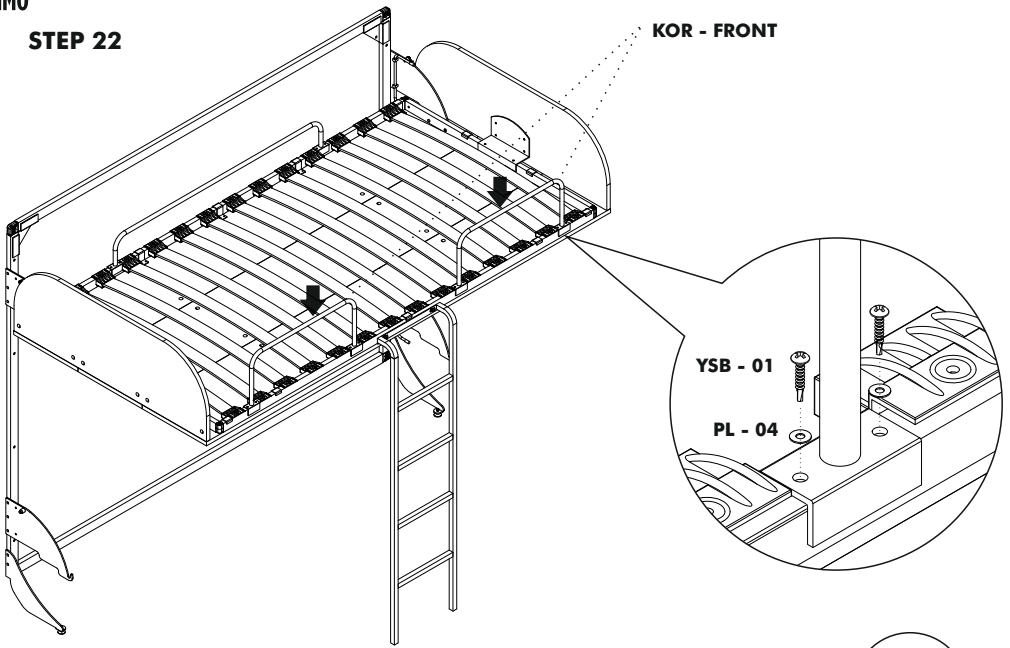
STEP 20



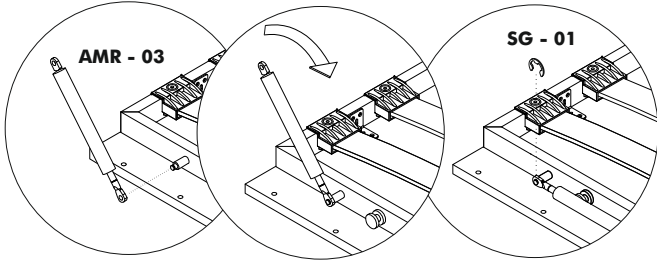
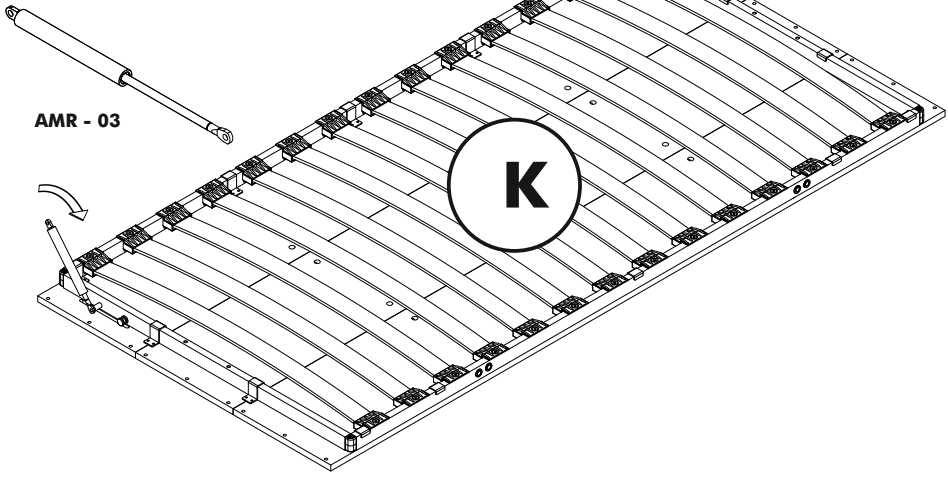
STEP 21



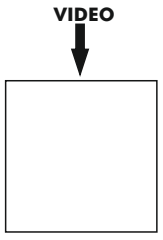
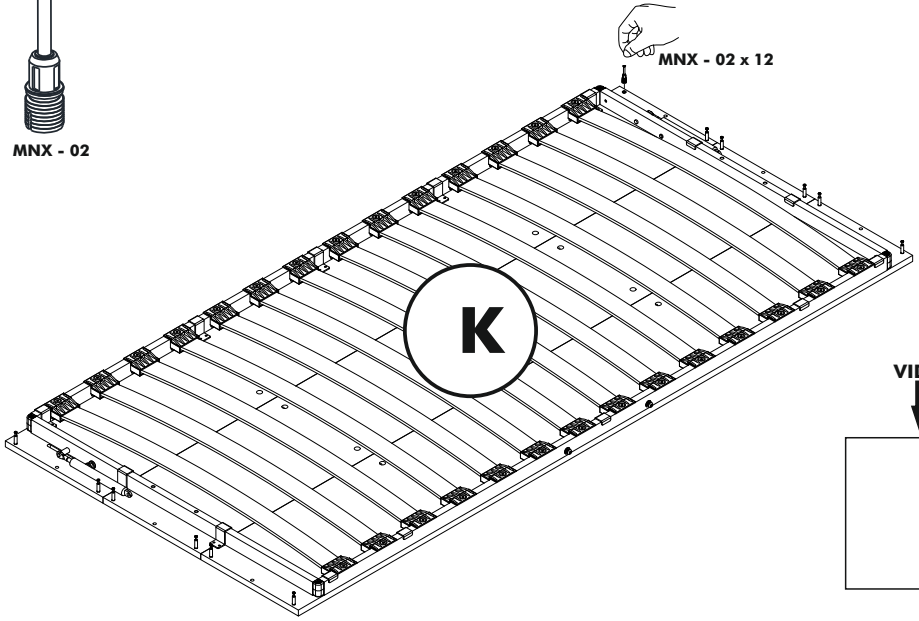
STEP 22



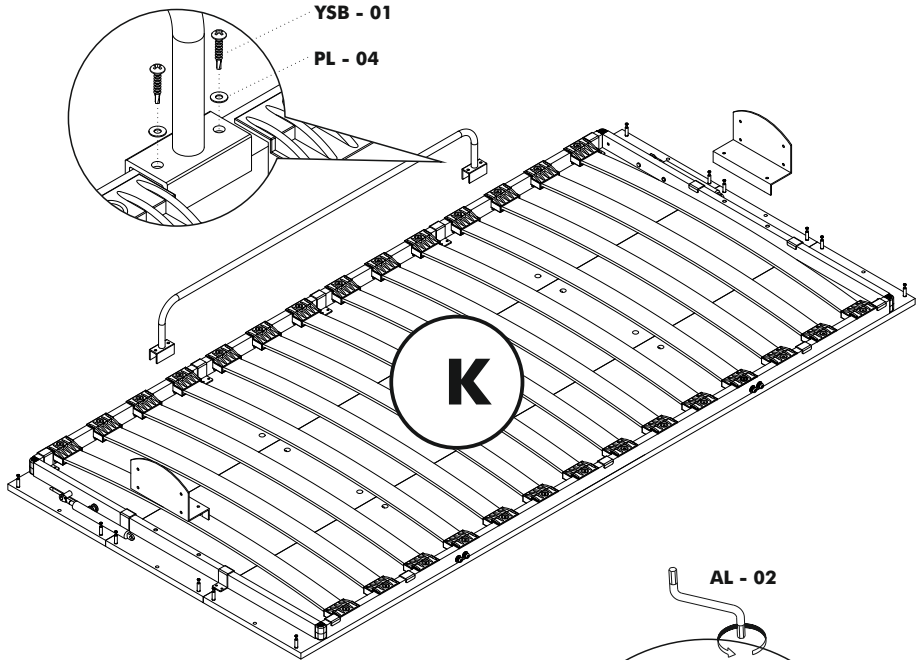
STEP 23



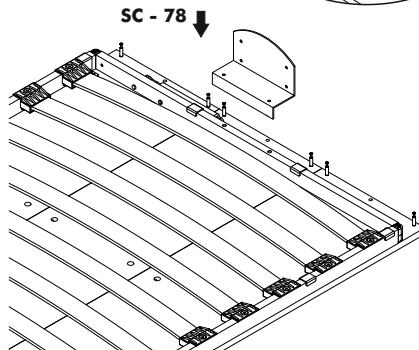
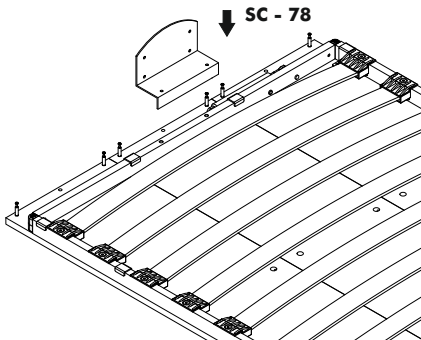
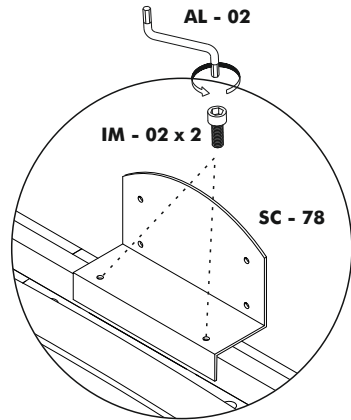
STEP 24



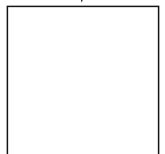
STEP 25



STEP 26

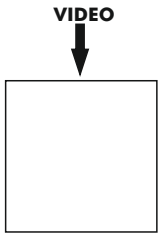
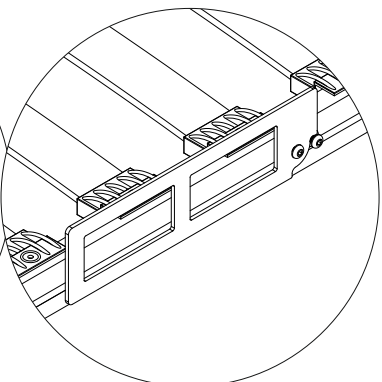
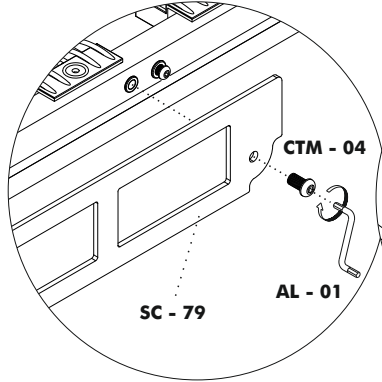
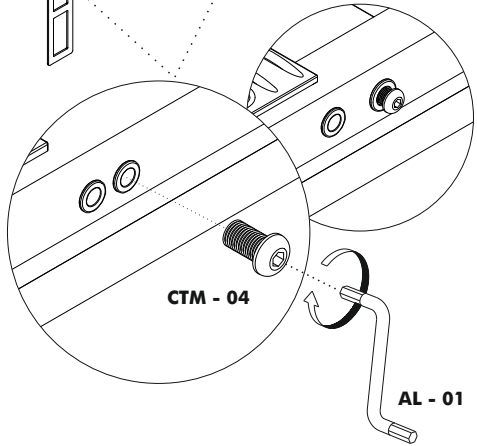
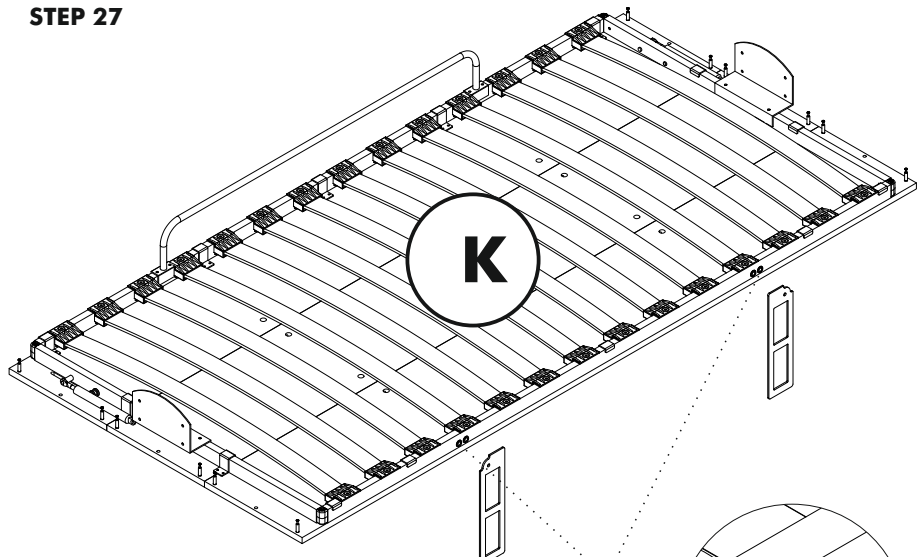


VIDEO

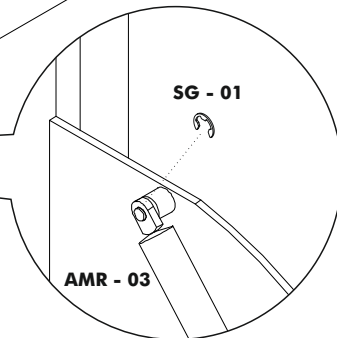
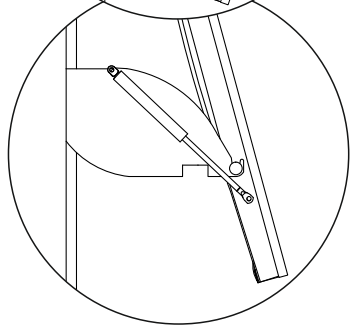
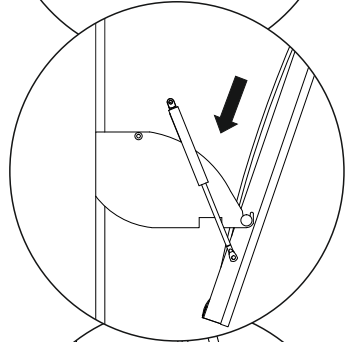
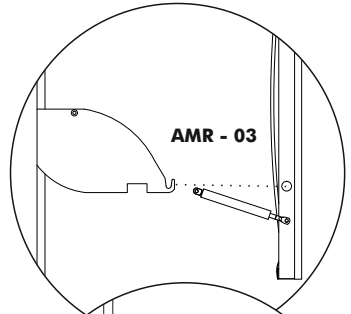
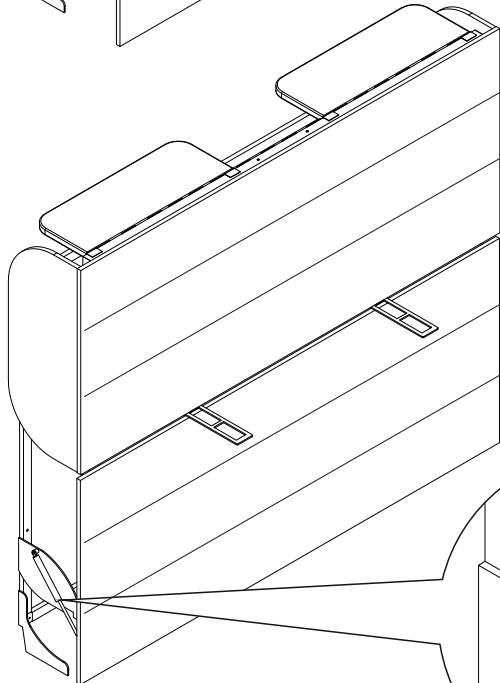
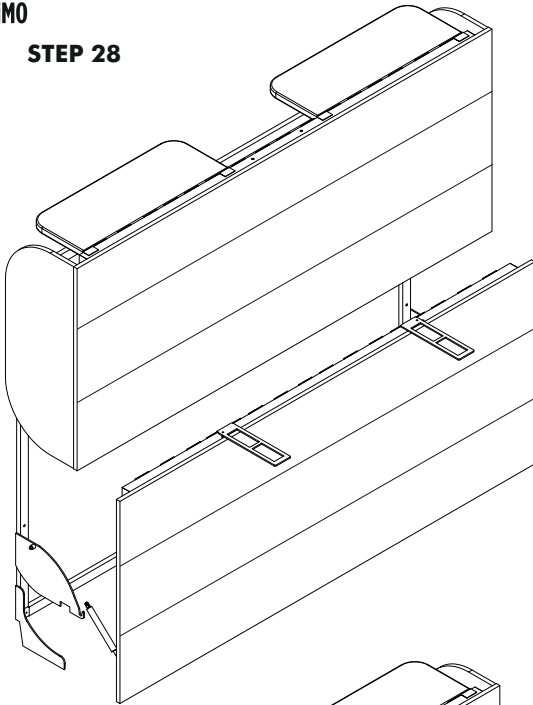


link

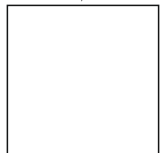
STEP 27



STEP 28

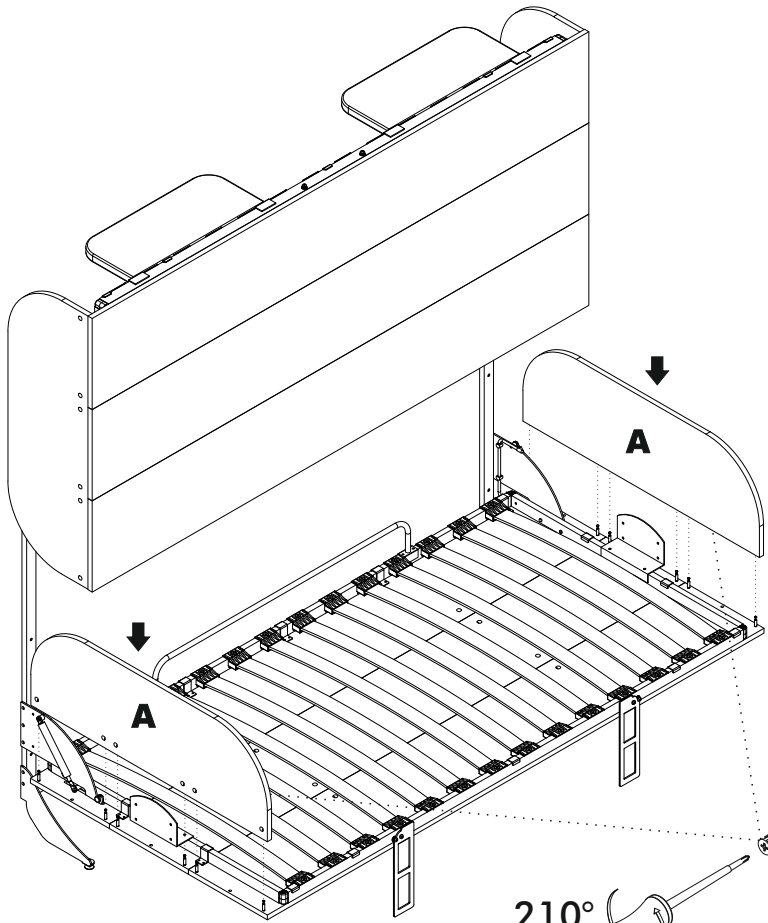


VIDEO



link

STEP 29



210°

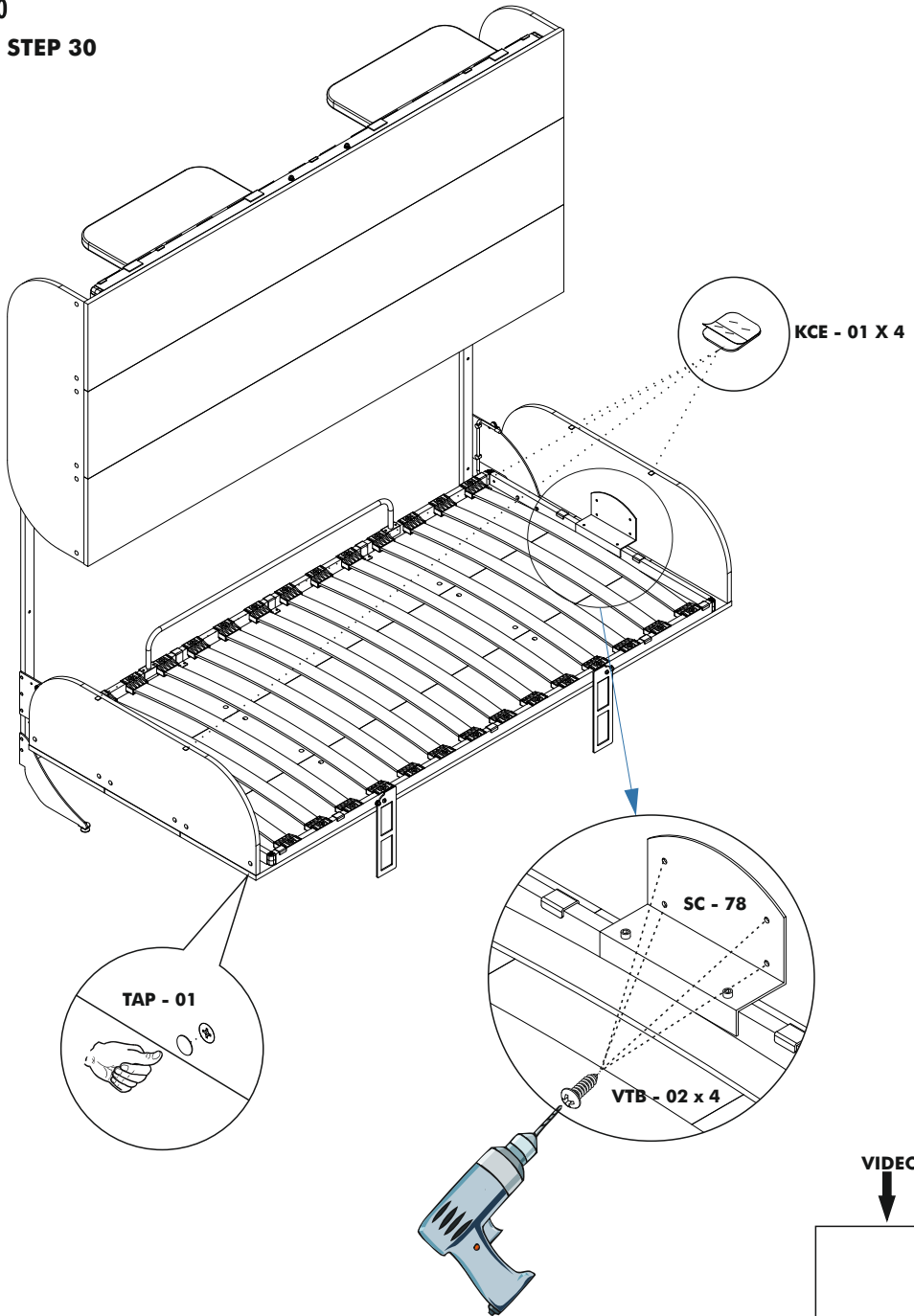
MNG - 01 X 12

VIDEO



link

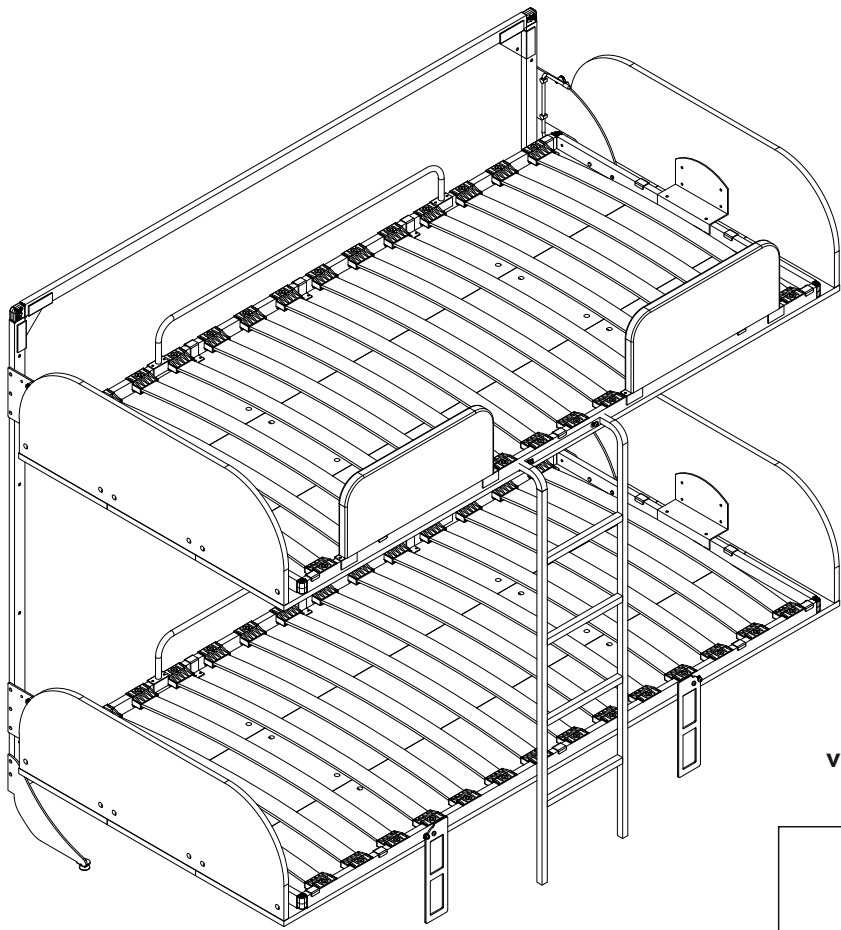
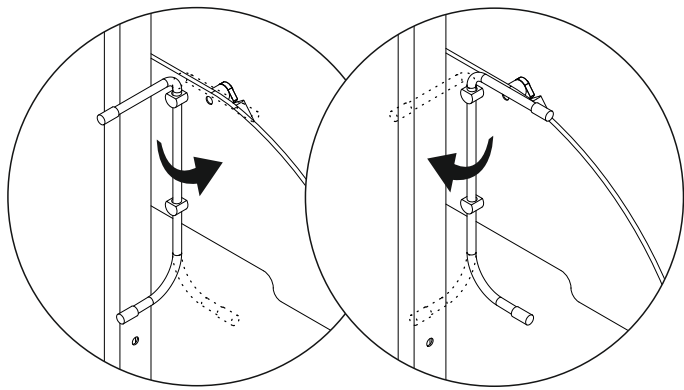
STEP 30



STEP 31

1. BED CLOSED

2. BED OPEN



VIDEO



link

ATTENTION / HOW TO / READ ME / OWNER'S GUIDE

1. Unless an item is free standing, when mounting on a regular drywall, furniture must be fastened to wood or metal studs. Solid walls made of brick, concrete or similar materials are also acceptable. Do not mount furniture on to paper-mache or sheetrock like material without properly affixing it to stud.
2. For safety and longevity of the product you must periodically inspect the mounting and mechanical connections for integrity and tightness. Confirm that hardware remains properly affixed and connections are snug.
3. Unless noted otherwise on the product page, Wall Bed mattress thickness may not exceed 6,29 inch. Make sure to remove pillows and excess blankets before closing. This keeps mechanism free of obstructions and unnecessary stress.
4. Do not lean or rest heavy objects on sides or top of furniture. This may cause balance issues and compromise the integrity of your mounting connections.
5. Please use beds, desks and shelving as intended. Improper use may cause personal injury and damage to property.
6. With seasonal humidity change you must inspect interior and exterior of furniture.
7. Single, Twin, Twin XL beds accommodate the weight of one person, up to 250 lb. Exceeding recommended weight restrictions may lead to personal injury and property damage.
8. Before any un-mounting or disassembly please contact Multimo for technical support and instructions. Failure to properly detach wall bed may result in personal injury and property damage.
9. Some wall beds have legs that fully extend when open - be aware of where the leg is and will be.



WARNINGS

IMPORTANT! HAZARD WARNING!

All Wall Beds contain sophisticated and powerful lifting mechanism.
Failure to follow assembly and installation instructions may result in **severe personal injury and damage of the product.**

SECURE RIGIDLY TO A WALL!

Improper attaching wall bed to a wall will create a tip-over hazard and may result in severe personal injury or even death.

ONLY qualified installers should install or remove a wall bed.

10. For Bunk Beds:

- a. Always use provided ladder when accessing top bunk.
- b. Be slow, careful and aware of surroundings when opening top bunk.
- c. Do not horseplay. Beds are to be slept on only.



WARNINGS

To help prevent serious or fatal injuries due to entrapment or falls

- Never allow a child under 6 on upper bunk.
- Use only Twin/Twin XL size mattress on upper bunk.
- Ensure mattress thickness doesn't exceed 6", and that mattress surface at least 5" below upper edge of guard rails



WARRANTY

RETAIL RESIDENTIAL TERM

Lifetime guarantee on hardware.
5 year structural guarantee on cabinetry.

COMMERCIAL TERM

Lifetime guarantee on hardware.
2 year structural guarantee on cabinetry.



MULTiMO

www.multimo.com