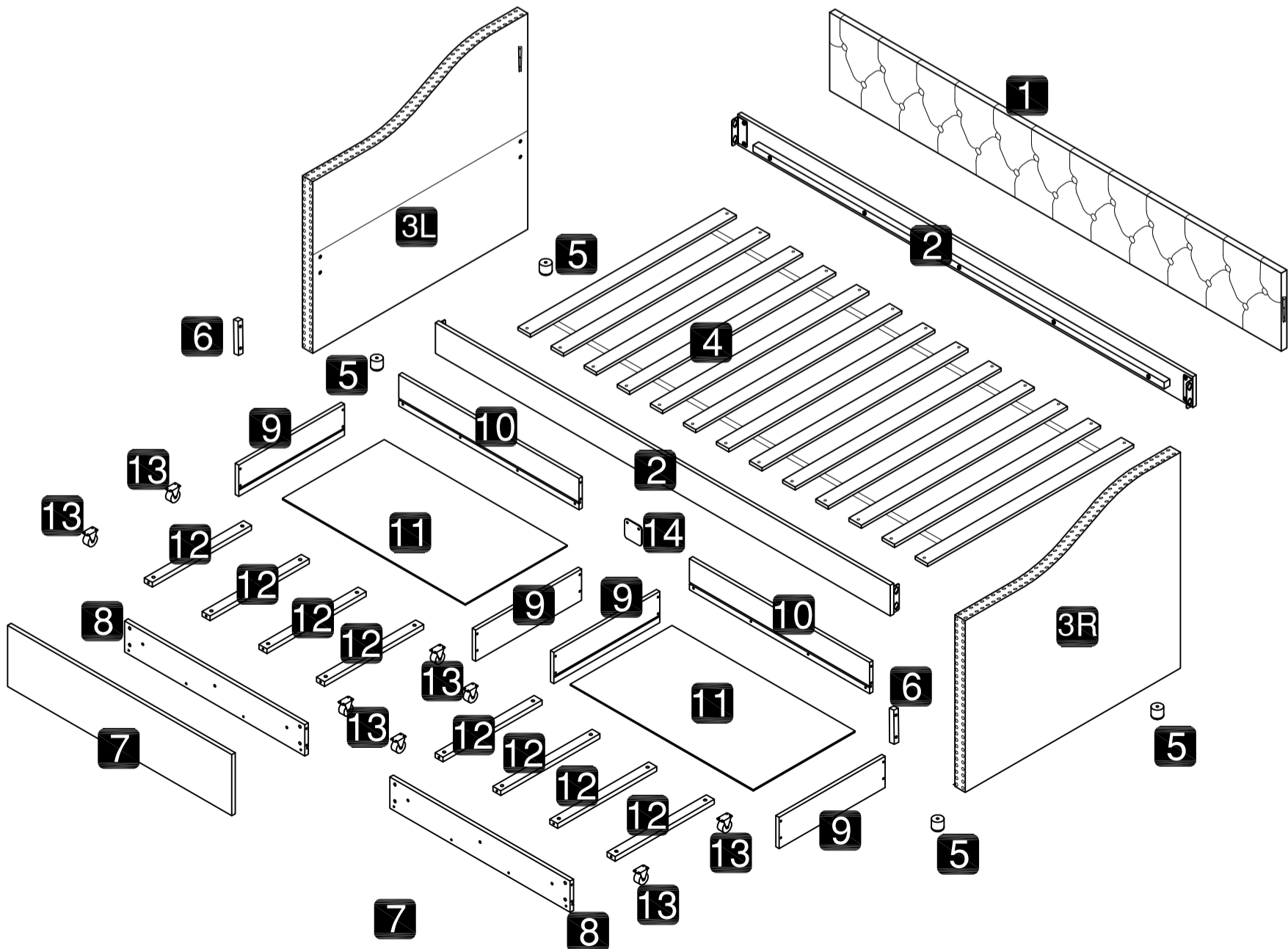
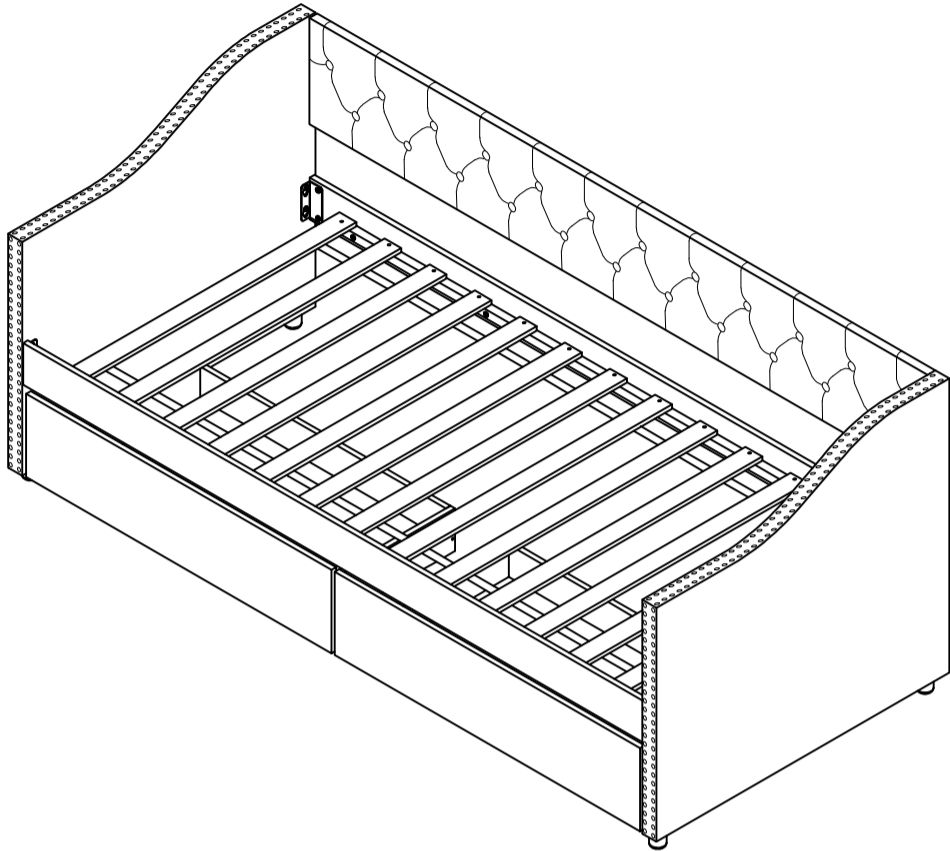


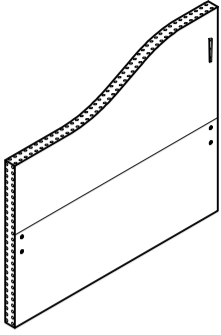
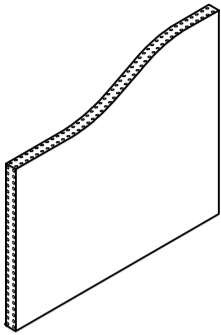
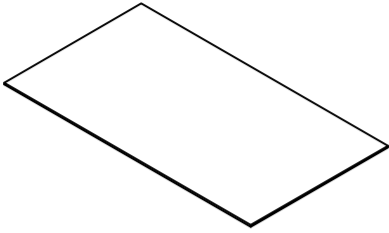
# ASSEMBLY INSTRUCTION

## TIPS

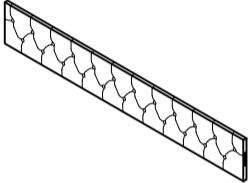

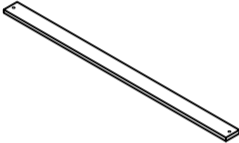
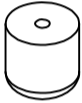

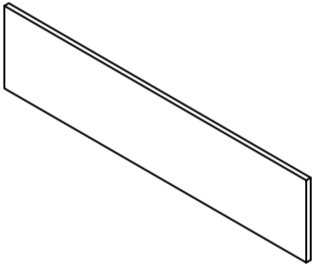
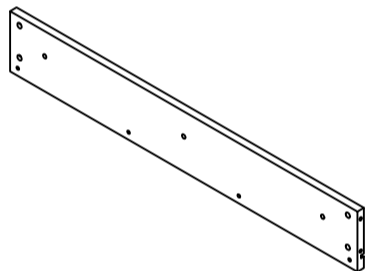
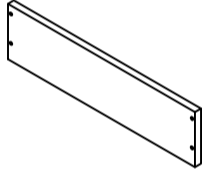
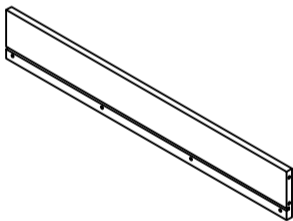
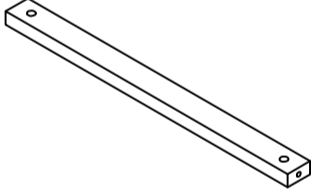


1. Please read the instructions fully before assembly. These instructions include important information which could ensure correct assembly. We have been working on providing high quality products for you. However, in the rare instance that your product is defective, missing parts or there are some issues, please don't hesitate to contact our customer service to submit parts requirements, assembly suggestion, or warranty claims, and we will give the best solution as soon as possible. If necessary, we need you to provide some more clear pictures of the issue.
2. Insert the screws in holes and tighten the screws, but not too tight, 70%~80% is ok, finally tighten all the screws. If some issues happened that some screws can not target to the hole or some parts are difficult to install, please adjust the tightness of the screws.
3. 2 people are recommended to finish



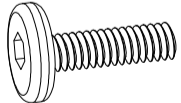






# WF297033AAE

<p><b>3L</b> × 1</p> 	<p><b>3R</b> × 1</p> 	<p><b>11</b> × 2</p> 
--	---	--

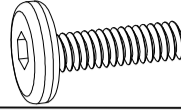

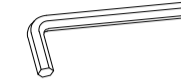




# WF297034AAE

<p><b>1</b> × 1</p> 	<p><b>2</b> × 2</p> 	<p><b>4</b> × 13</p> 	<p><b>5</b> × 4</p> 
<p><b>6</b> × 2</p> 	<p><b>7</b> × 2</p> 	<p><b>8</b> × 2</p> 	<p><b>9</b> × 4</p> 
<p><b>10</b> × 2</p> 	<p><b>12</b> × 8</p> 	<p><b>13</b> × 8</p> 	<p><b>14</b> × 1</p> 

# WF297034AAE




<p><b>A</b> × 8</p> 	<p><b>B</b> × 10</p> 	<p><b>C</b> × 8</p> 	<p><b>D</b> × 34</p> 
<p><b>E</b> × 30</p> 	<p><b>F</b> × 32</p> 	<p><b>G</b> × 32</p> 	

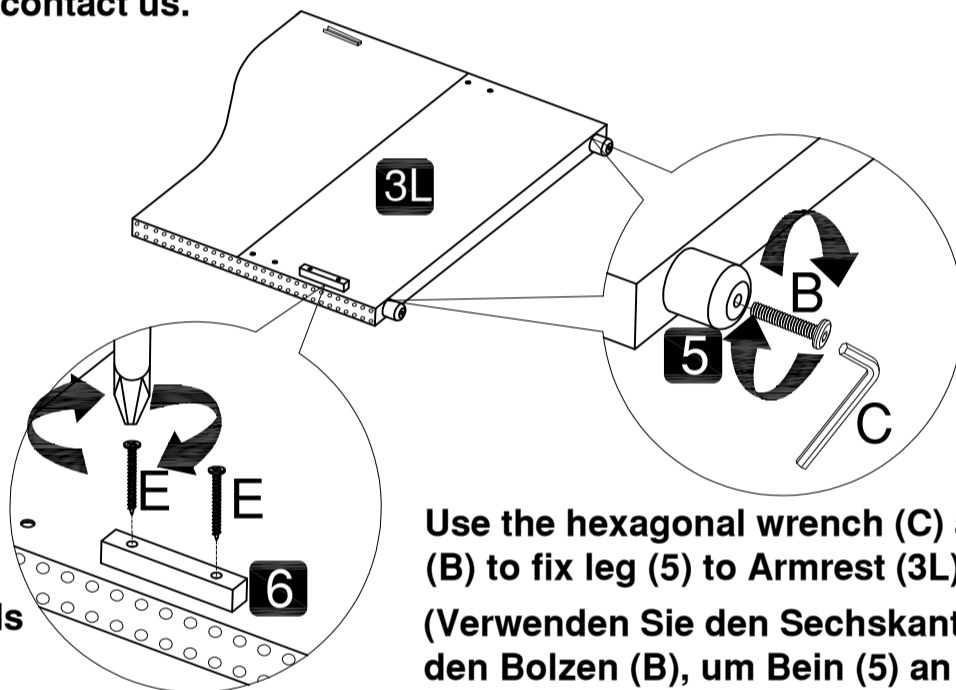
Part List		
NO.	ITEM	QTY
1	Backrest	1
2	Side Rails	2
3	Armrest - 3L (LH) & 3R (RH)	1Pr
4	Slats	13
5	Leg	4
6	Stop Block	1
7	Drawer panel	2
8	Drawer front plate	2
9	Drawer side panel	2
10	Drawer rear panel	2
11	Drawer base plate	2
12	Drawer reinforcement strip	8
13	wheel	8
14	Drawer positioning iron plate	1

Hardware List		
NO.	ITEM	QTY
A	Bolts(M8x25mm) 	8
B	Bolts(M6x30mm) 	10
C	Allen Key 	8
D	Screw(4.0x20mm) 	34
E	Screw(4.0x30mm) 	30
F	Screw(5.0x50mm) 	32
G	Nut 	32

**Attention: Do not tighten the screws before completing the entire installation. If you have any difficulty with the installation process, please feel free to contact us.**

## Step 1

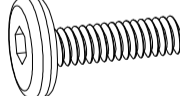

-  ×4
-  ×4
-  ×1

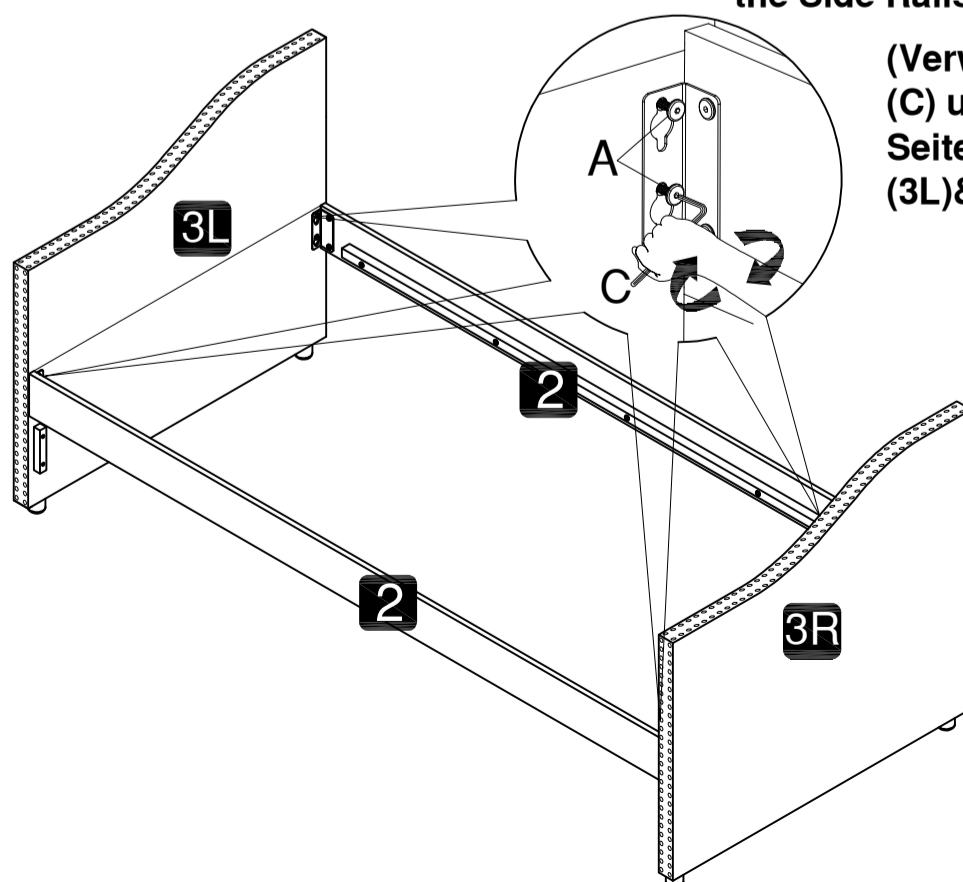


Secure the stop (6) to the handrails (3L) and (3R) with screws (E).  
(Befestigen Sie den Anschlag (6) an den Handläufen (3L) und (3R) mit Schrauben (E).)

Use the hexagonal wrench (C) and bolt (B) to fix leg (5) to Armrest (3L)&(3R).  
(Verwenden Sie den Sechskantschlüssel (C) und den Bolzen (B), um Bein (5) an Armlehne (3L)&(3R) zu befestigen.)

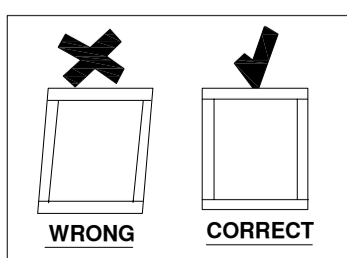
## Step 2

-  ×8
-  ×1



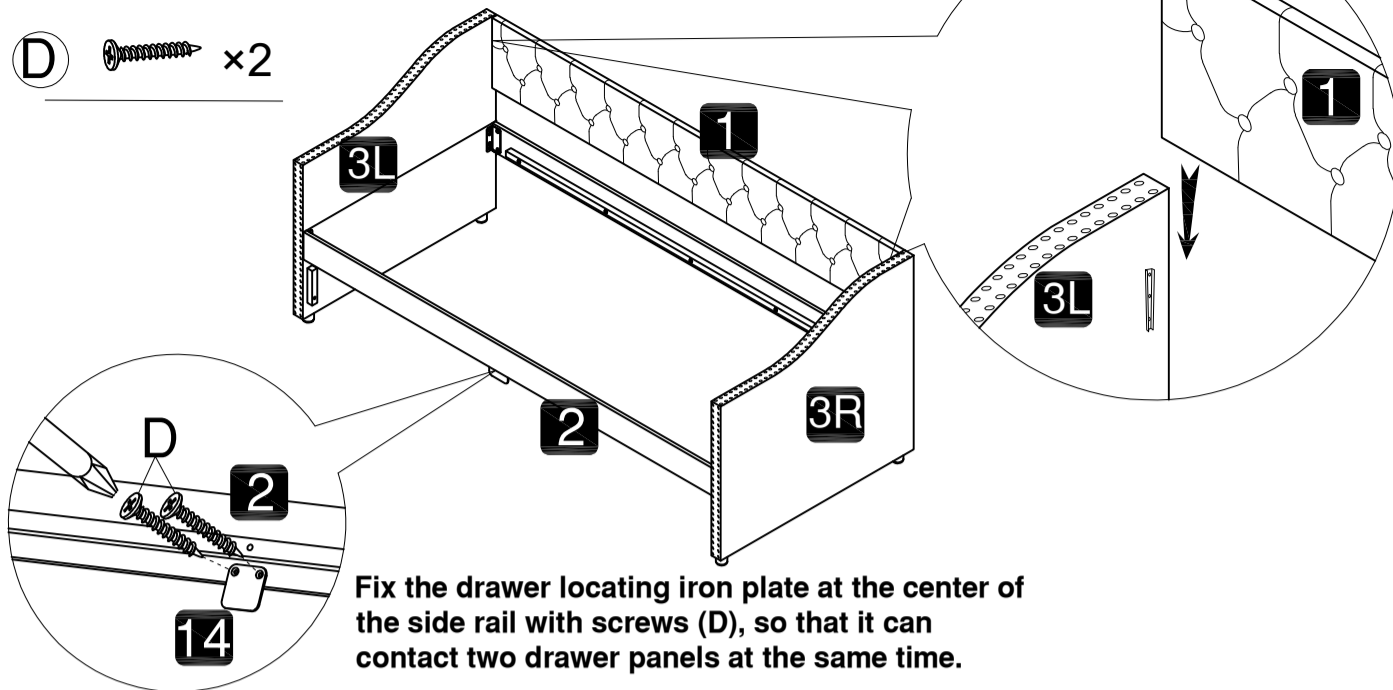
Use the Allen wrench (C) and Bolts (A) to fix the Side Rails to the Armrest (3L)&(3R).

(Verwende den Inbusschlüssel (C) und die Schrauben (A), um die Seitenschiene an der Armlehne (3L)&(3R) zu befestigen.)



## Step 3

D  ×2



Fix the drawer locating iron plate at the center of the side rail with screws (D), so that it can contact two drawer panels at the same time.

(Verwenden Sie Schrauben (D), um die Schublade positionierende Eisenplatte in der Mitte der Seitenschienen zu befestigen, so dass sie zwei Schubladenplatten gleichzeitig berühren kann.)

As shown in the figure, hook the backrest (1) onto the armrest (3L)&(3R).

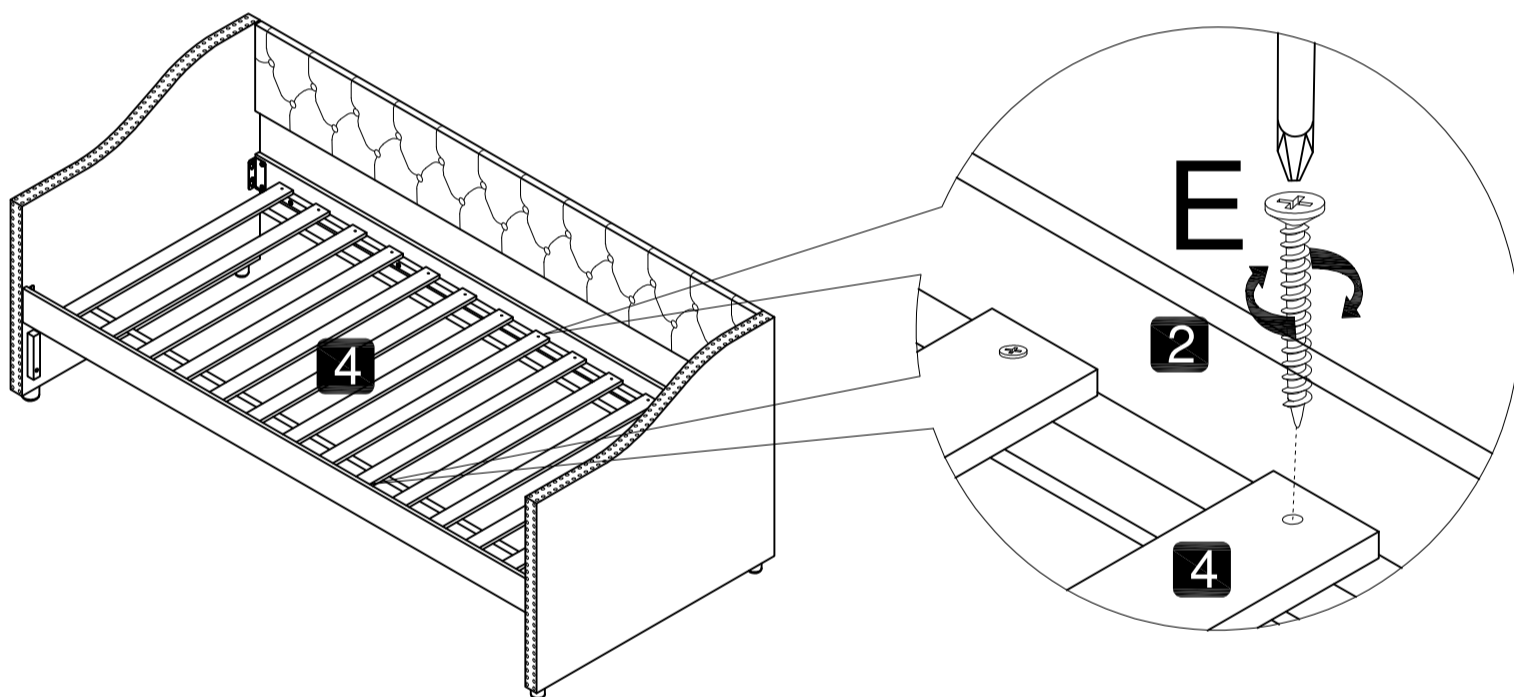
(Wie in der Abbildung gezeigt, haken Sie die Rückenlehne (1) an die Armlehne (3L)&(3R).)

## Step 4

Secure Slats (4) to Side Rails (2) with screws (E).

(Sichern Sie Lamellen (4) auf Seitenschienen (2) mit Schrauben (E).)

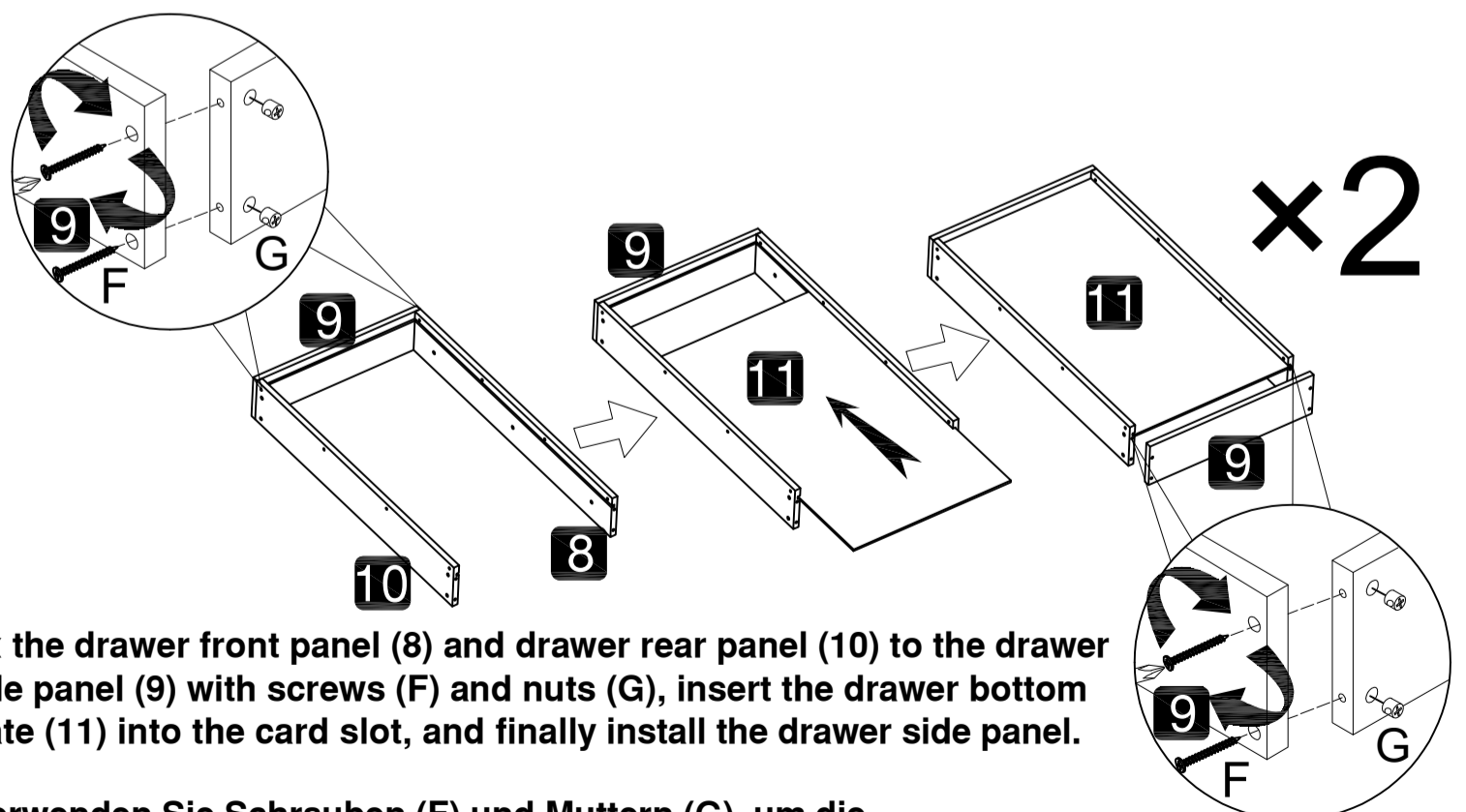
E  ×26



## Step 5

F  ×16


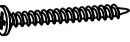

G  ×16



Fix the drawer front panel (8) and drawer rear panel (10) to the drawer side panel (9) with screws (F) and nuts (G), insert the drawer bottom plate (11) into the card slot, and finally install the drawer side panel.

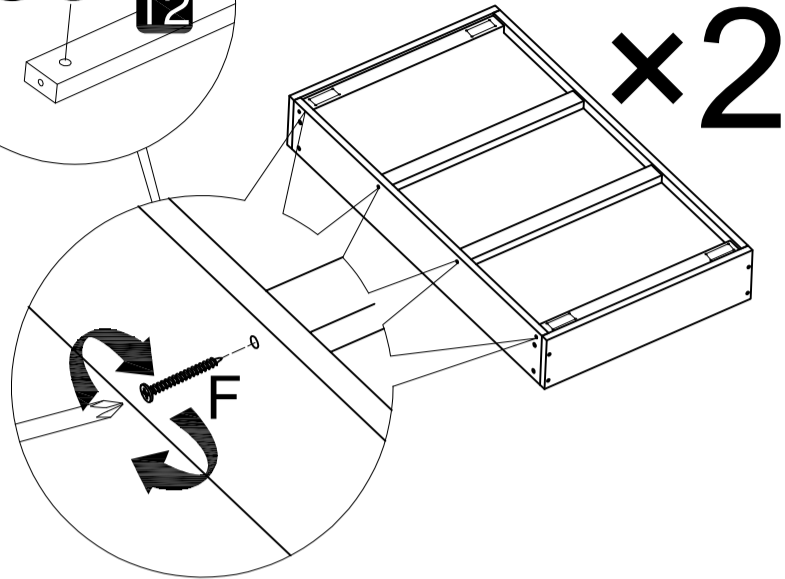
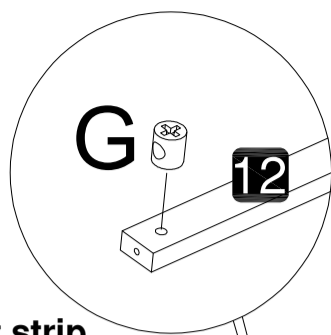
(Verwenden Sie Schrauben (F) und Muttern (G), um die Vorderseite (8) und Rückwand (10) der Schublade an der Seitenwand (9) der Schublade zu befestigen, stecken Sie die Unterseite (11) der Schublade in den Kartenschlitz und installieren Sie schließlich die Seitenwand der Schublade.)

## Step 6

- D**  ×32
- F**  ×16
- G**  ×16

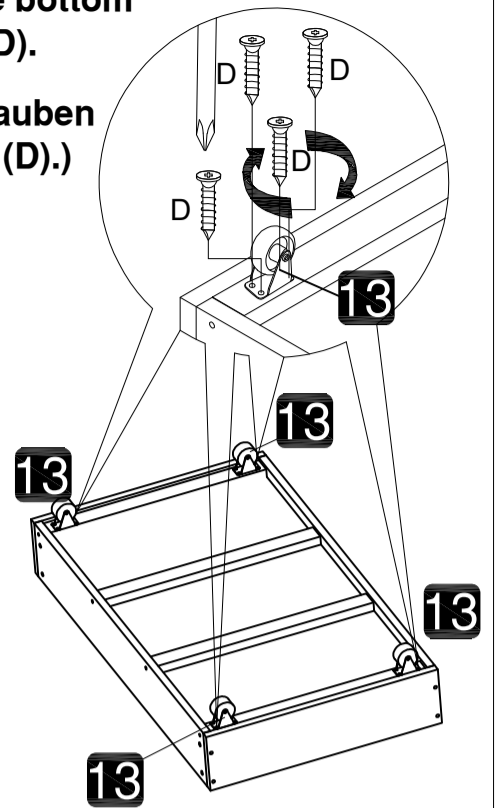
Fix the Drawer reinforcement strip (12) to the bottom of the drawer with screws (F) and Nuts (G).

(Befestigen Sie den Schubladenverstärkungsstreifen (12) an der Unterseite der Schublade mit Schrauben (F) und Muttern (G).)





Secure the wheel (13) to the bottom of the drawer with screws (D).

(Befestige das Rad (13) mit Schrauben an der Unterseite der Schublade (D).)

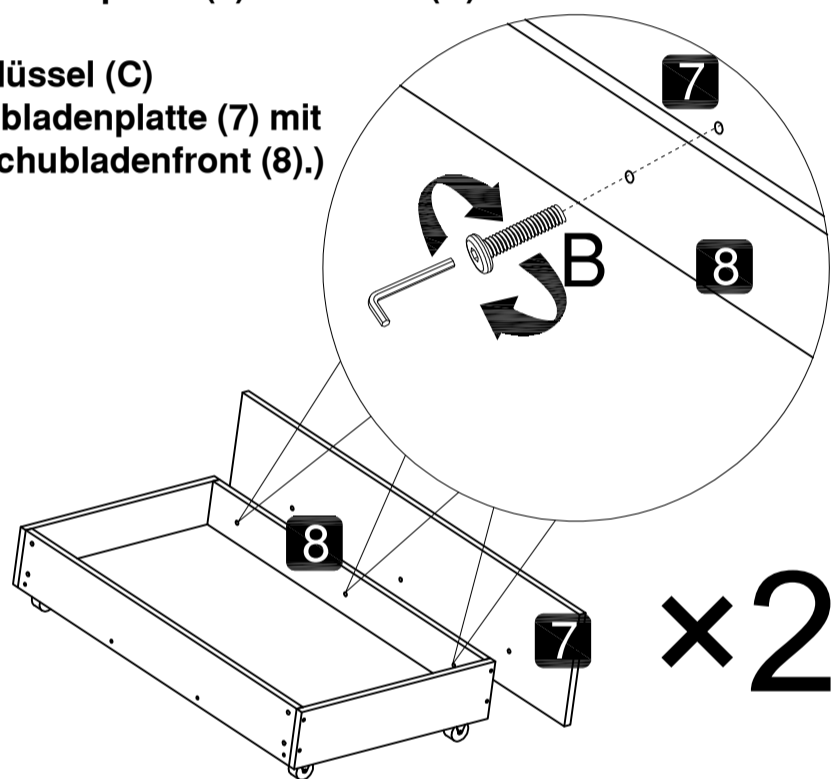


## Step 7

- B**  ×6
- C**  ×1

Use the hexagonal wrench (C) to fix the drawer panel (7) to the drawer front panel (8) with bolts (B).

(Mit dem Sechskantschlüssel (C) befestigen Sie die Schubladenplatte (7) mit Schrauben (B) an der Schubladenfront (8).)



## Step 8

