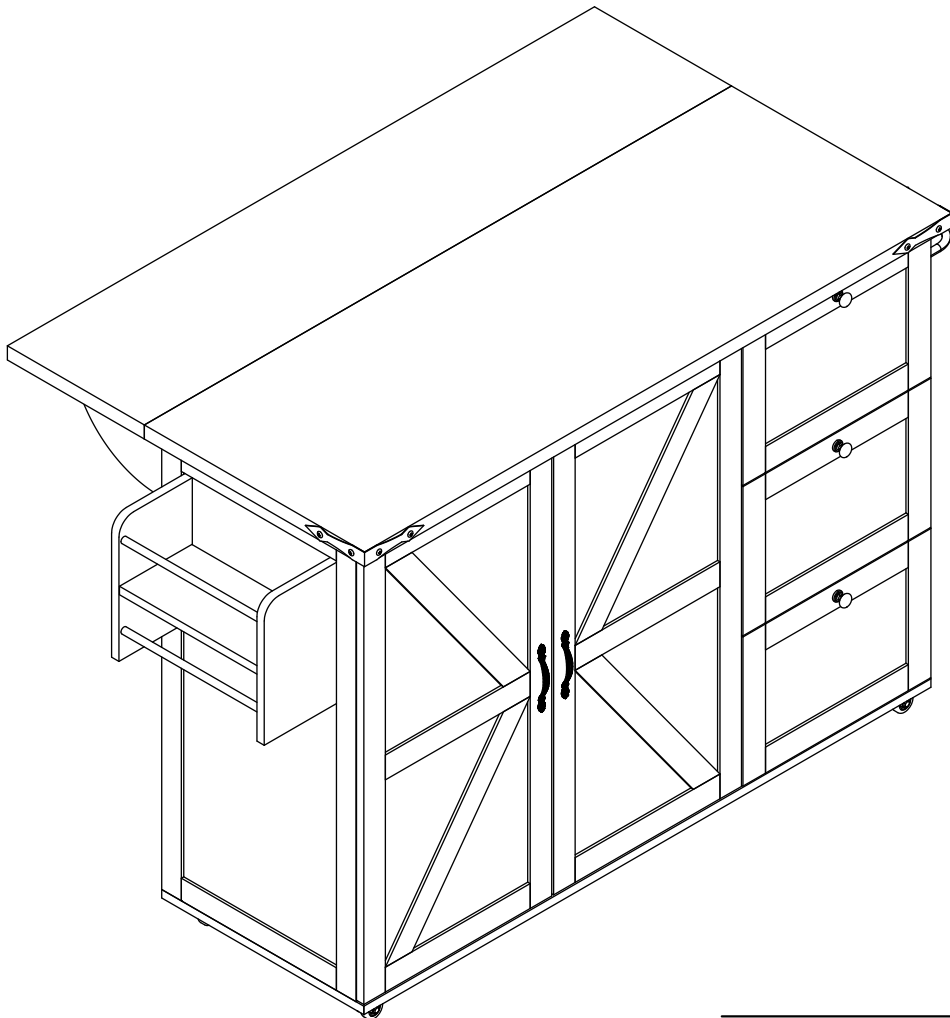


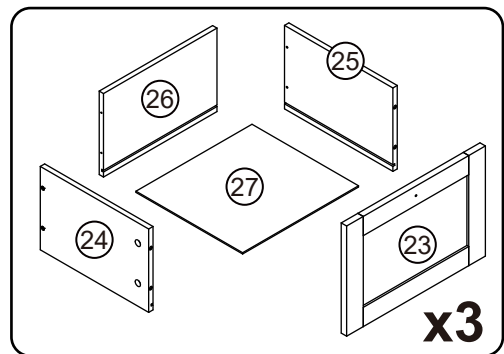
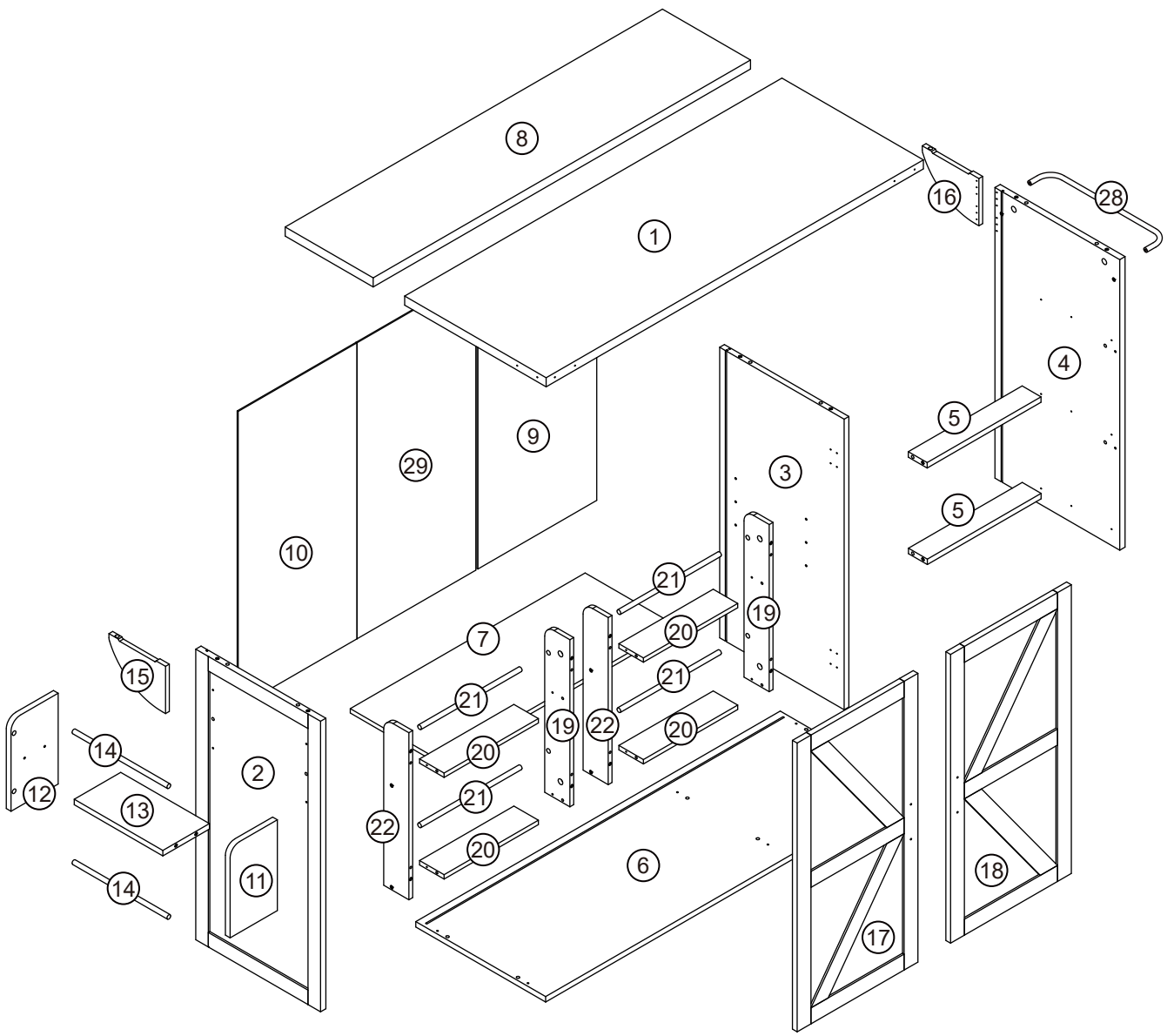
Our product will be delivered to you in 2 packages. The delivery times of these 2 packages may differ, please be patient and thank you for your understanding.
Unser Produkt wird Ihnen in 2 Paketen geliefert. Die Lieferzeiten dieser 2 Pakete können abweichen, bitte haben Sie etwas Geduld und vielen Dank für Ihr Verständnis.

Notre produit vous sera livré en 2 colis. Les délais de livraison de ces 2 colis peuvent différer, soyez patient et merci de votre compréhension.
Notre produit vous sera livré en 2 colis. Les délais de livraison de ces 2 colis peuvent varier, soyez patient et merci de votre compréhension.

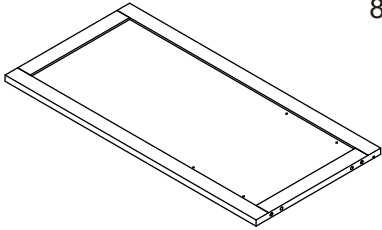
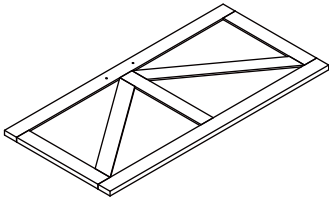
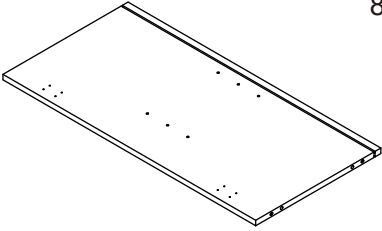
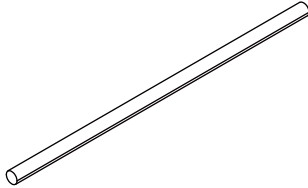
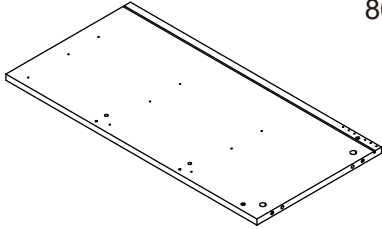
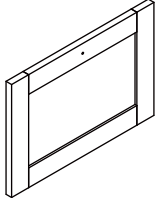
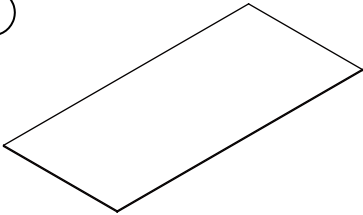
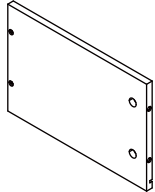
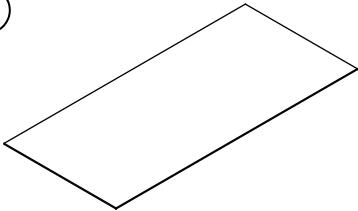
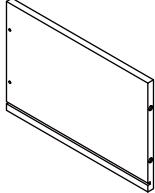
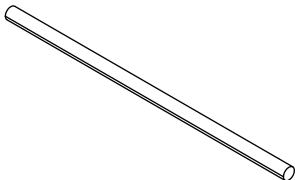
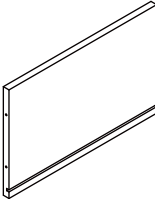
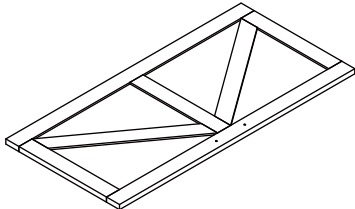
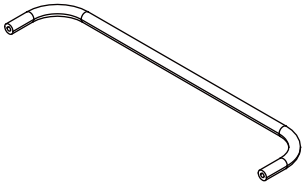
Our product will be delivered to you in 2 packages. The delivery times of these 2 packages may differ, please be patient and thank you for your understanding.
Our product will be delivered to you in 2 packages. The delivery times of these 2 packages may vary, please be patient and thank you for your understanding.

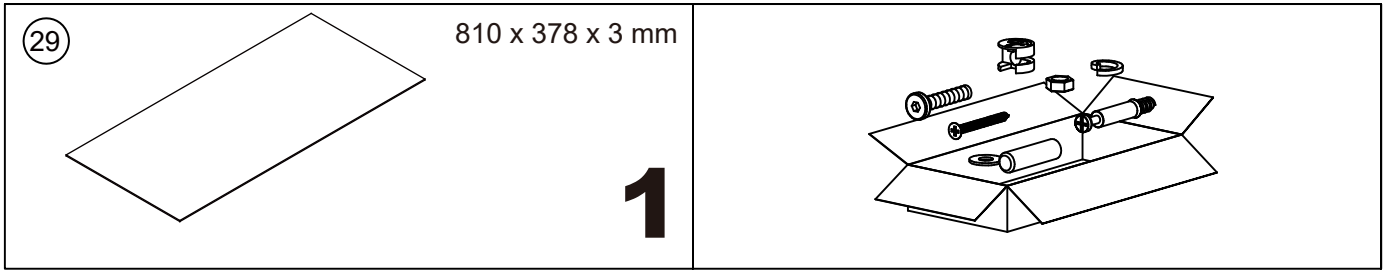


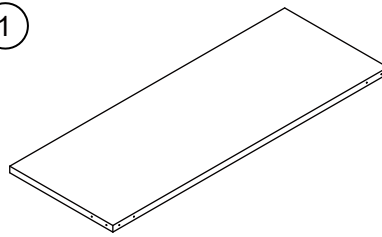
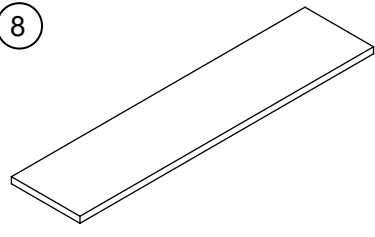
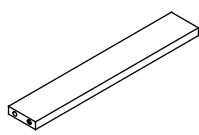
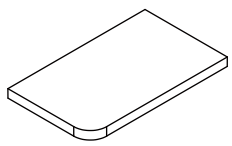
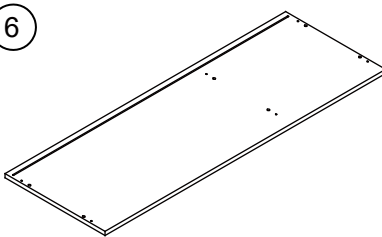
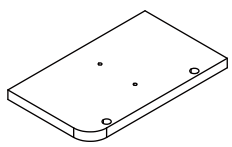
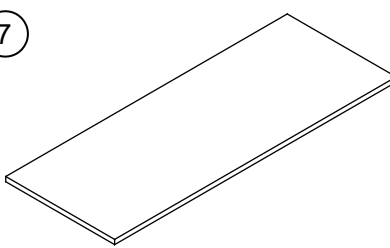
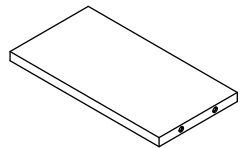
N620P170676W
N620P170677W

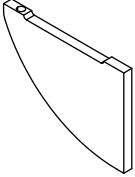
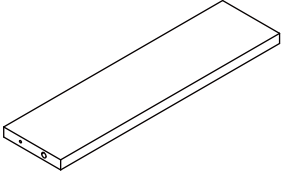
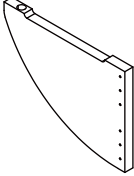
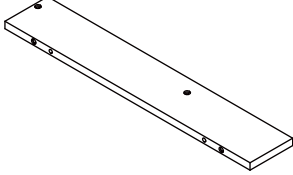
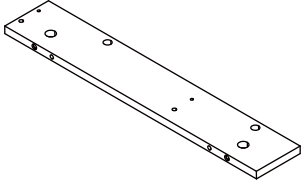
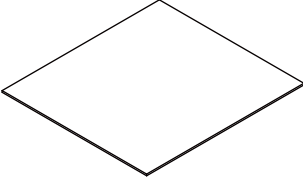


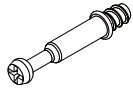

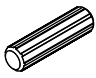

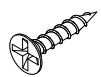

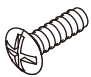
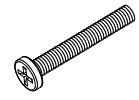
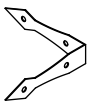

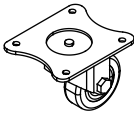
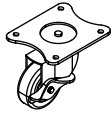

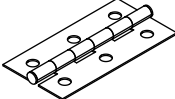
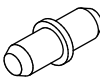
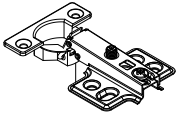
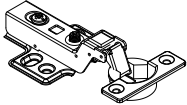
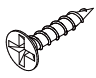
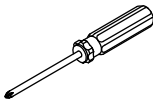



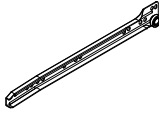

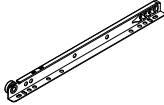
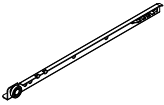
N620P170677W

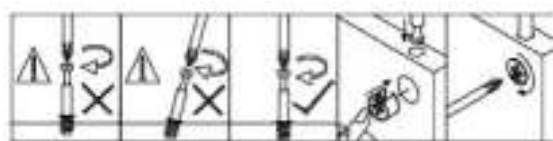
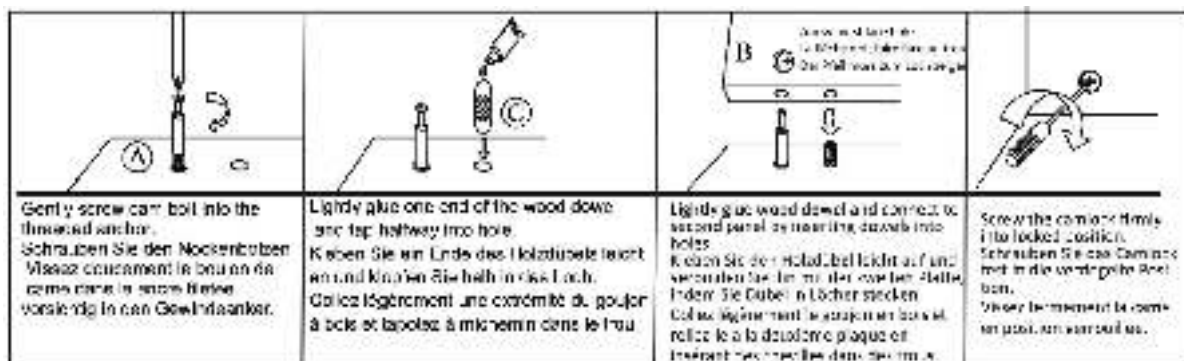
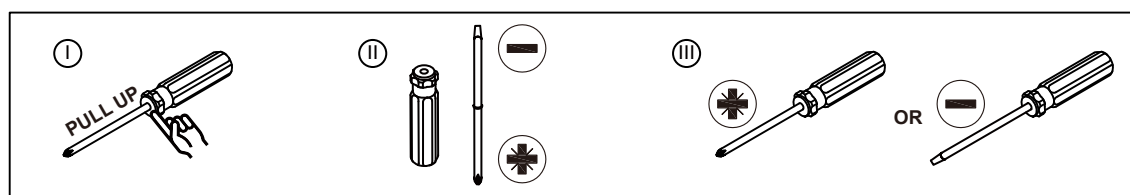
<p>② 800 x 397 x 17 mm</p>  <p>1</p>	<p>⑱ 795 x 384 x 15 mm</p>  <p>1</p>
<p>③ 800 x 396 x 15 mm</p>  <p>1</p>	<p>⑳ 315 x 18 x 18 mm</p>  <p>4</p>
<p>④ 800 x 397 x 17 mm</p>  <p>1</p>	<p>㉓ 384 x 264 x 15 mm</p>  <p>3</p>
<p>⑨ 810 x 370 x 3 mm</p>  <p>1</p>	<p>㉔ 300 x 195 x 12 mm</p>  <p>3</p>
<p>⑩ 810 x 378 x 3 mm</p>  <p>1</p>	<p>㉕ 300 x 195 x 12 mm</p>  <p>3</p>
<p>⑭ 292 x 18 x 18 mm</p>  <p>2</p>	<p>㉖ 314 x 195 x 12 mm</p>  <p>3</p>
<p>⑰ 795 x 384 x 15 mm</p>  <p>1</p>	<p>㉘ 373 x 80 x 13 mm</p>  <p>1</p>



N620P170676W			
<p>1</p> 	<p>1200 x 450 x 25 mm</p> <p>1</p>	<p>8</p> 	<p>1200 x 280 x 25 mm</p> <p>1</p>
<p>5</p> 	<p>362 x 60 x 15 mm</p> <p>2</p>	<p>11</p> 	<p>250 x 150 x 15 mm</p> <p>1</p>
<p>6</p> 	<p>1160 x 415 x 15 mm</p> <p>1</p>	<p>12</p> 	<p>250 x 150 x 15 mm</p> <p>1</p>
<p>7</p> 	<p>747 x 289 x 15 mm</p> <p>1</p>	<p>13</p> 	<p>274 x 148 x 15 mm</p> <p>1</p>

<p>⑮</p>  <p>180 x 135 x 18 mm</p> <p>1</p>	<p>⑳</p>  <p>300 x 78 x 12 mm</p> <p>4</p>
<p>⑯</p>  <p>180 x 135 x 18 mm</p> <p>1</p>	<p>㉒</p>  <p>460 x 80 x 12 mm</p> <p>2</p>
<p>⑰</p>  <p>460 x 80 x 12 mm</p> <p>2</p>	<p>㉓</p>  <p>321 x 295 x 3 mm</p> <p>3</p>

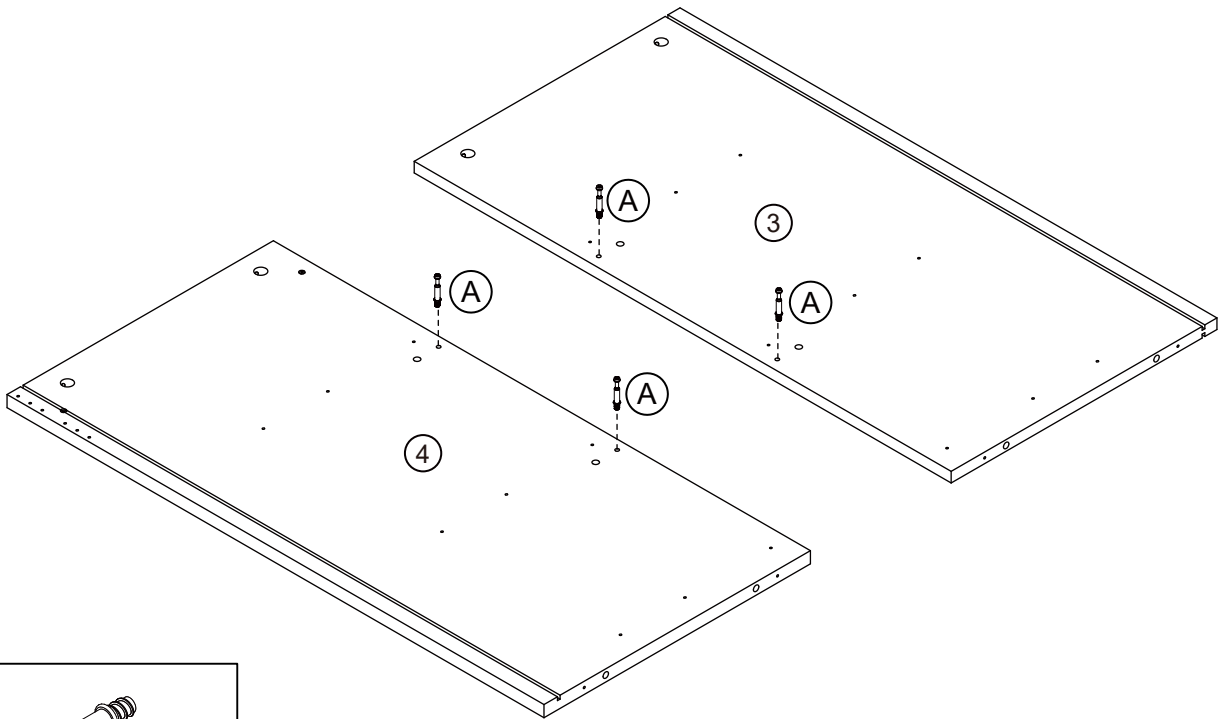
(A)  Cam Bolt x 34	(B)  Cam lock x 34	(C)  6*30mm Dowel x 34	(D)  4*35mm Screw x 30
(E)  3*12mm Screw x 36	(F)  Hold hands x 2	(G)  4*18mm Screw x 7	(H)  6*50mm Screw x 2
(I)  100*100*22mm x 2	(J)  Tergite x 1	(K)  Caster x 3	(L)  Locking caster x 2
(M)  4*14mm Screw x 8	(N)  hinge x 7	(O)  Pivot x 4	(P)  26mm x 2
(Q)  26mm x 2	(R)  3.5*12mm Screw x 66	(T)  Screwdriver x 1	(U)  Hold hands x 3
(V)  6*14mm Screw x 20	(W)  Fish eye x 2	(CR)  Runner 300mm x 3	(CL)  Runner 300mm x 3
(DR)  Runner 300mm x 3	(DL)  Runner 300mm x 3		



Dear customer, when you use the connector cam fitting to install this product, please align the hole vertically and screw it in slowly. If you use an electric drill, please adjust it to a gear with a lower speed, and then screw it in vertically. Doing this can make your installation smoother. Thank you for your cooperation.

Geachte klant, wanneer u de slotenmechaniek schroeft, wordt u verzocht de gaten verticaal te boren en de schroeven verticaal te draaien. Indien u een elektrische boormachine gebruikt, wordt u verzocht de boormachine op een lager toerental te zetten en vervolgens de schroeven verticaal te draaien. Dit kan uw installatie soepeler maken. Bedankt voor uw medewerking.

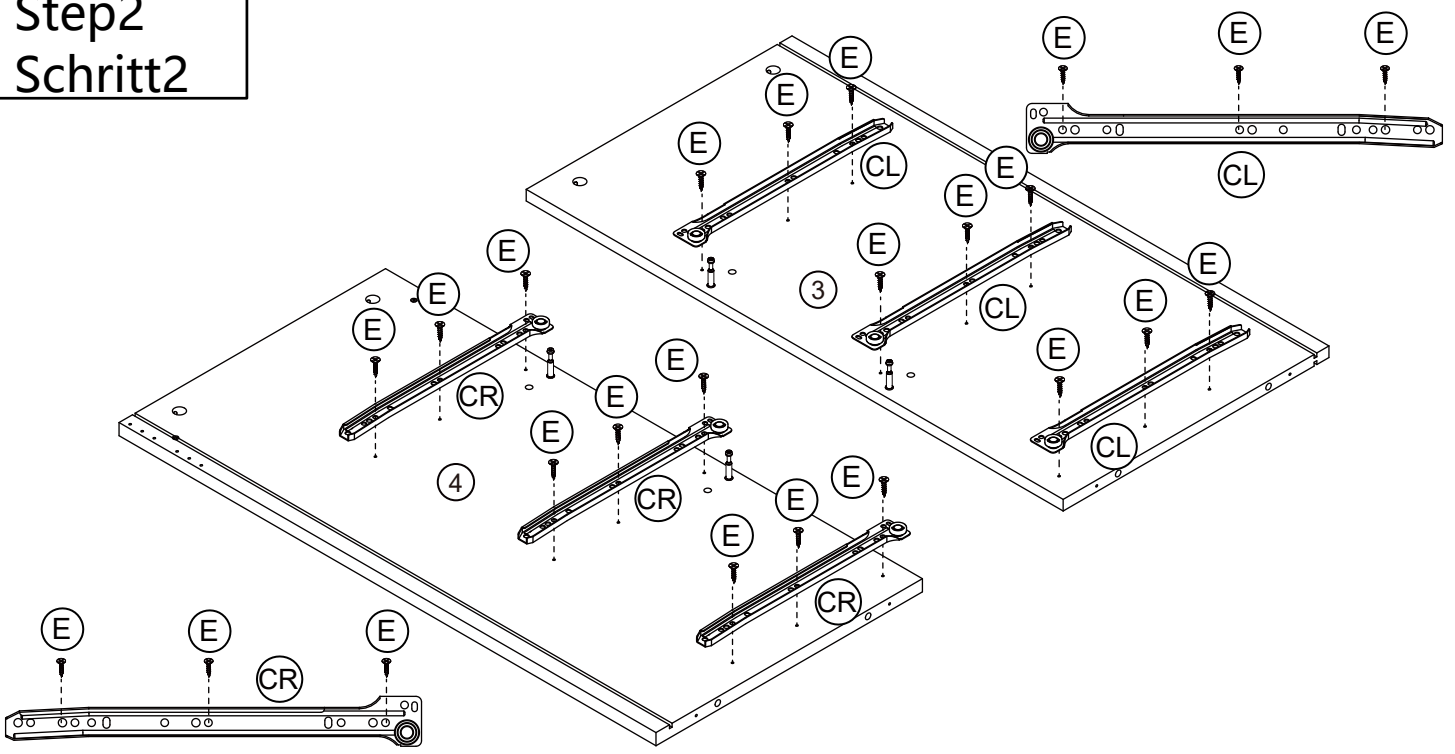
Step1 Schritt1



A

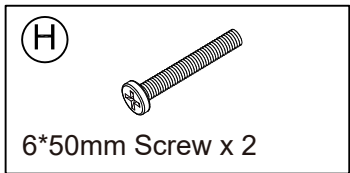
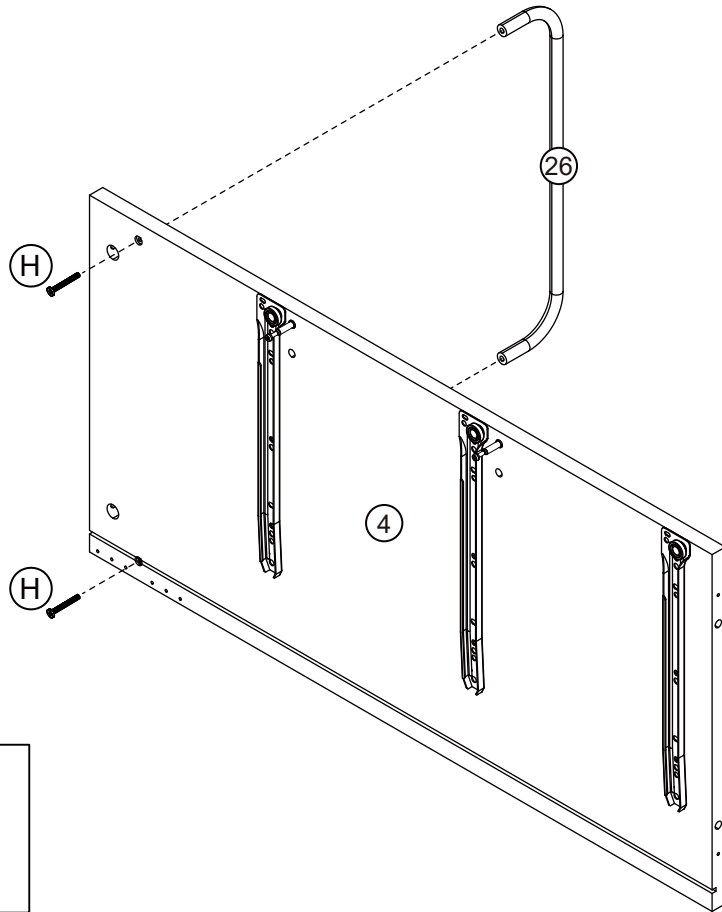
Cam Bolt x 4

Step2 Schritt2

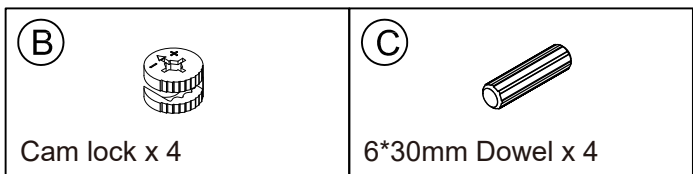
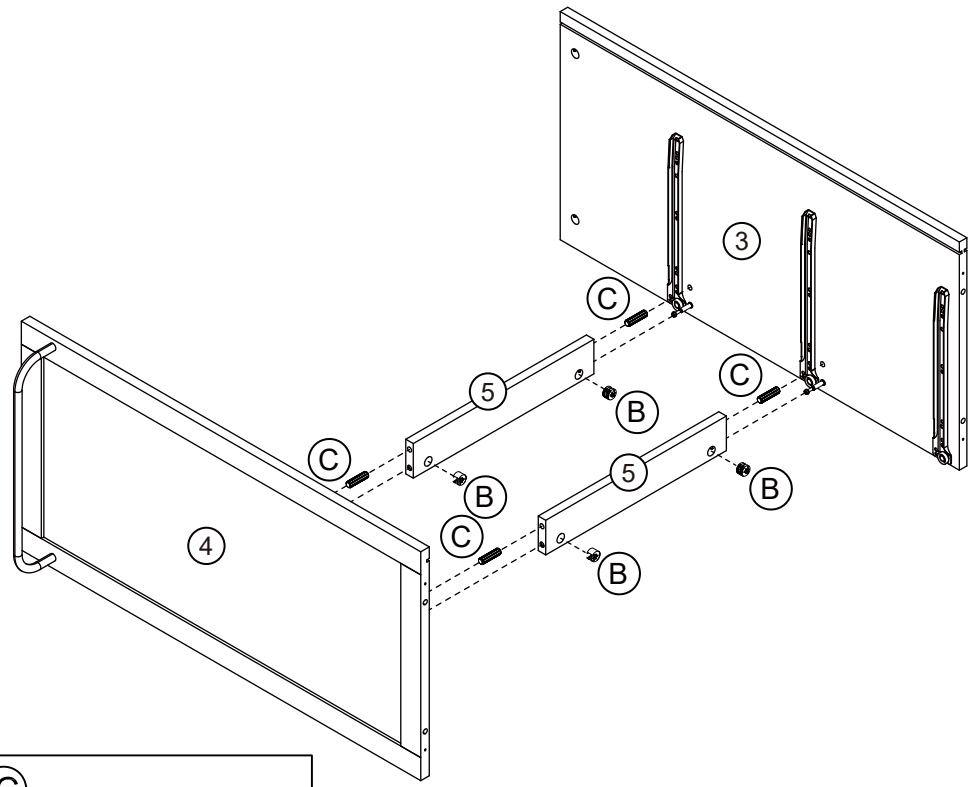


<p>E</p> <p>3*12mm Screw x 18</p>	<p>CL</p> <p>Runner 300mm x 3</p>	<p>CR</p> <p>Runner 300mm x 3</p>
--	--	--

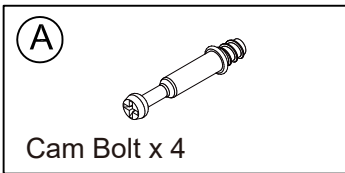
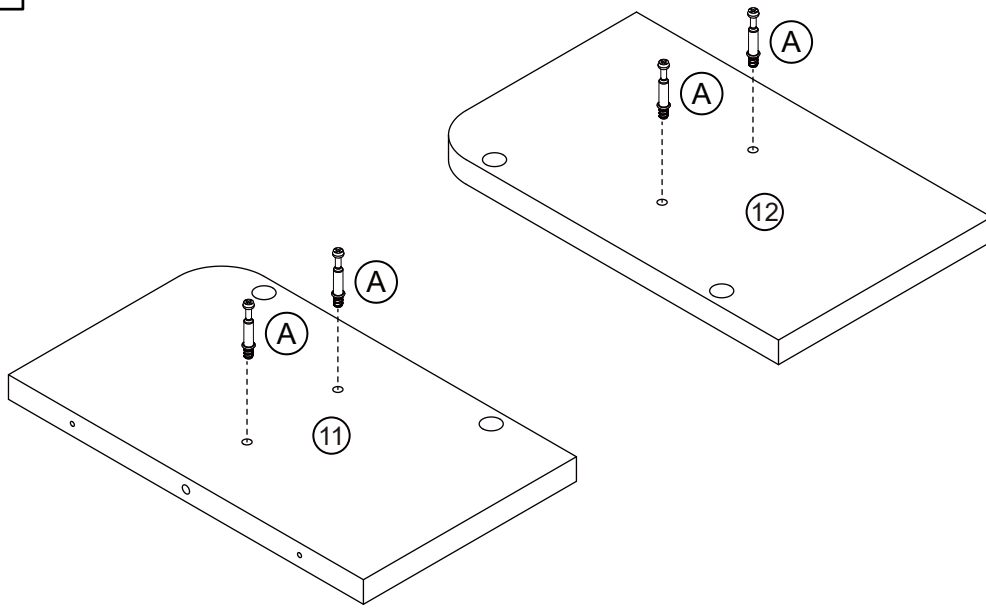
Step3
Schritt3



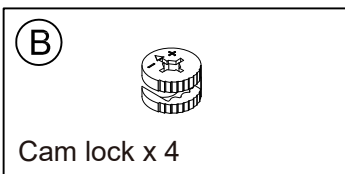
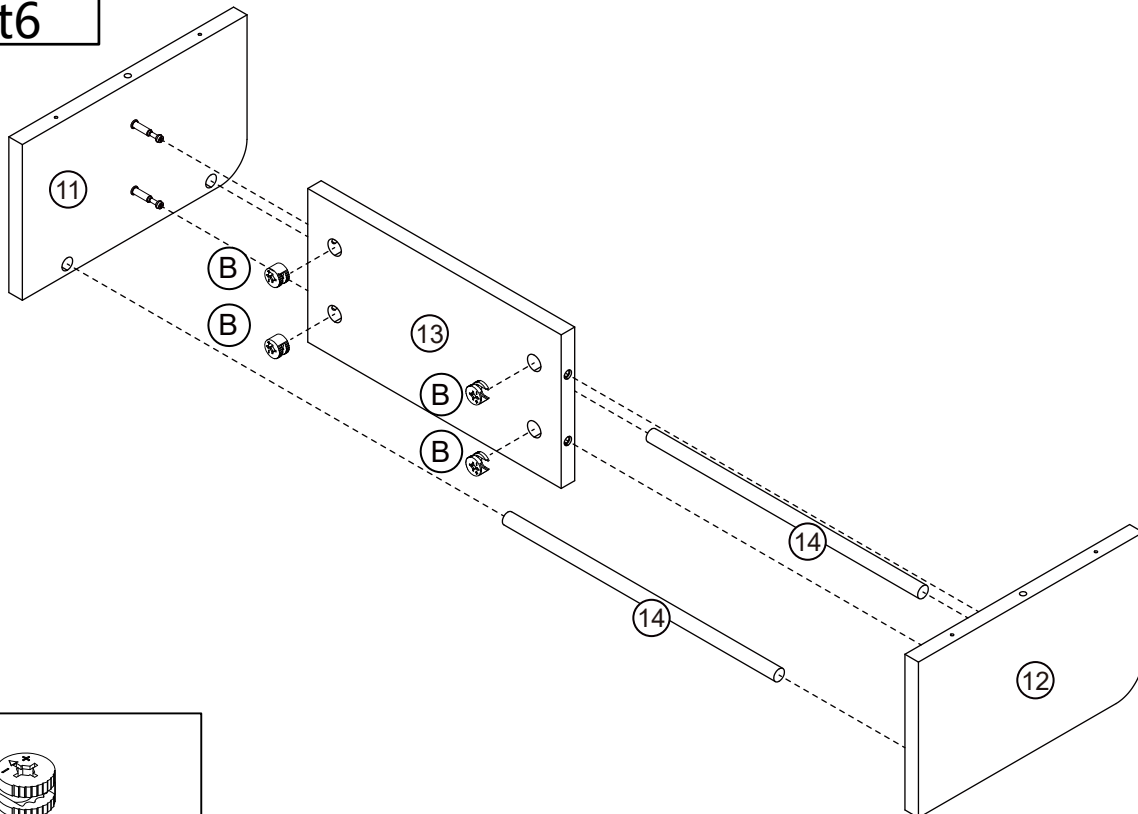
Step4
Schritt4



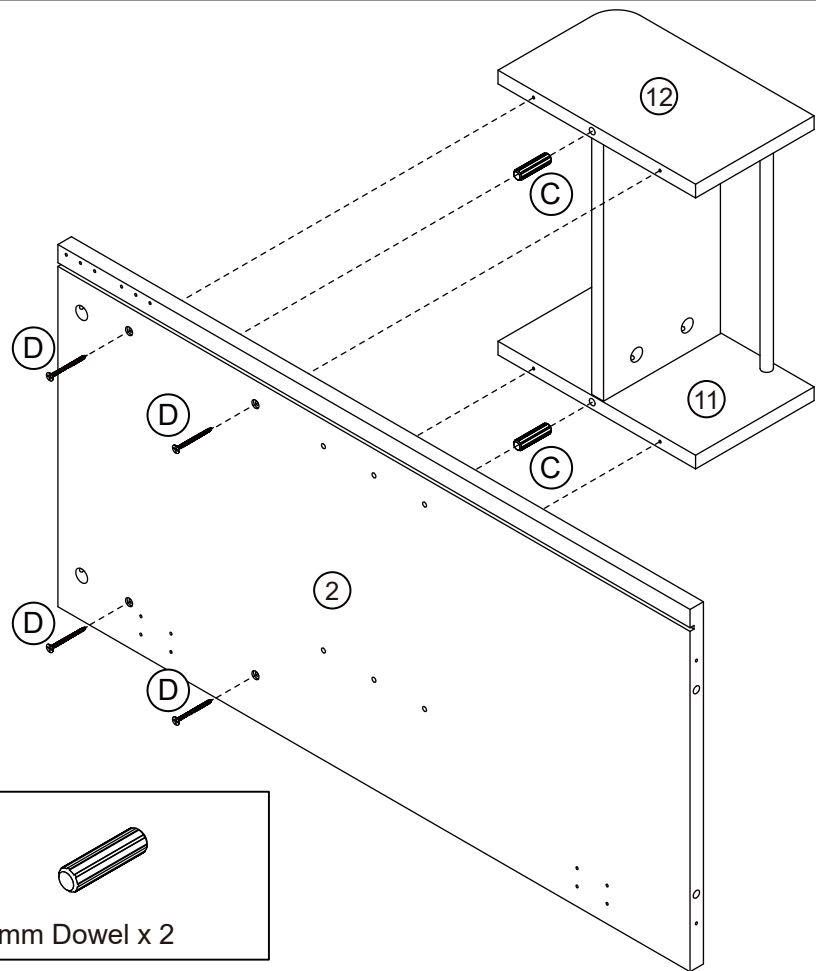
Step5 Schritt5



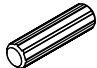
Step6 Schritt6



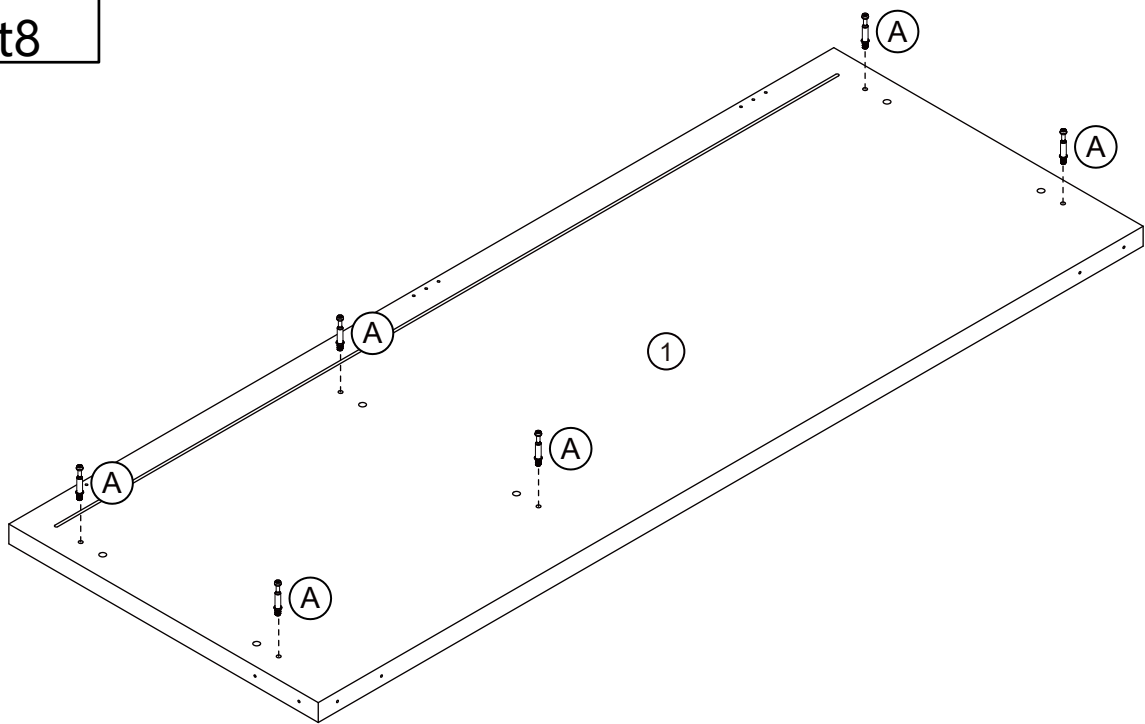
Step7 Schritt7

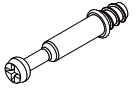


(D) 
4*35mm Screw x 4

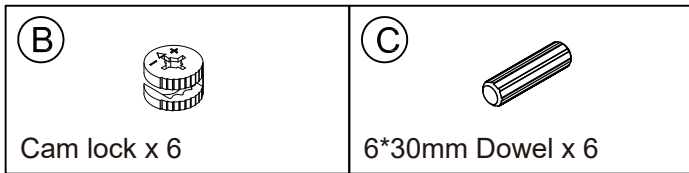
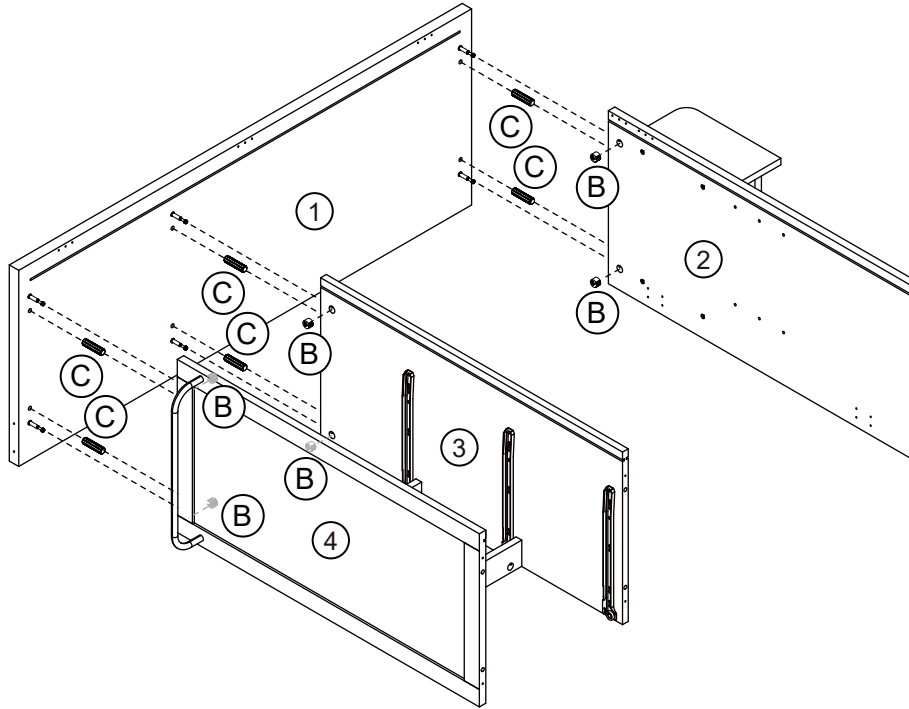
(C) 
6*30mm Dowel x 2

Step8 Schritt8

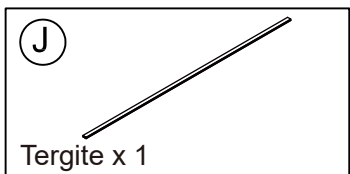
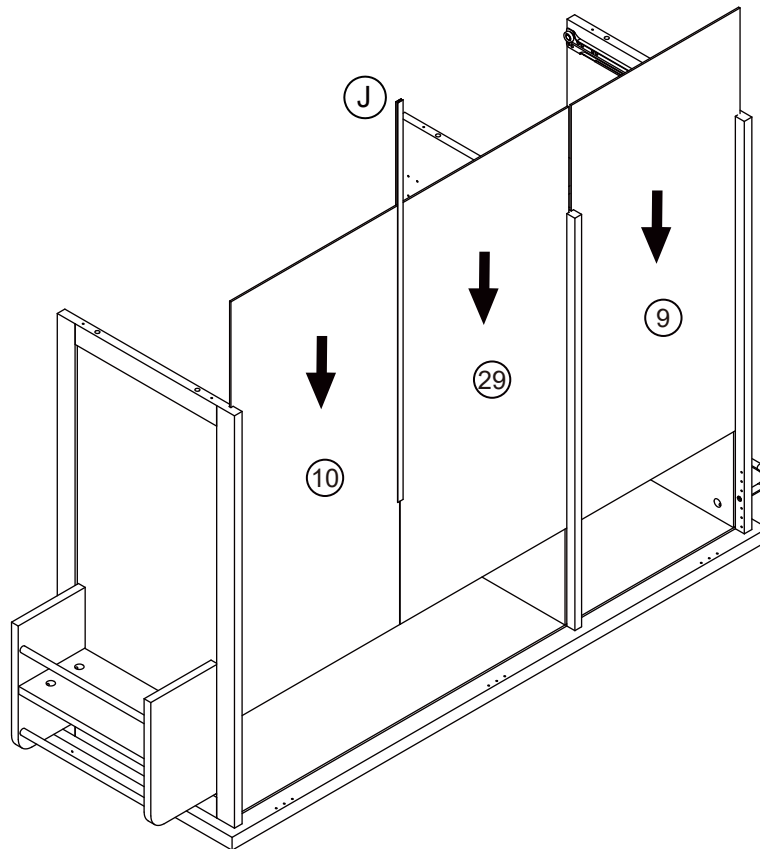
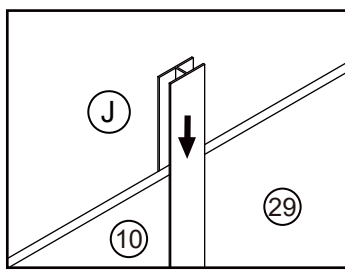


(A) 
Cam Bolt x 6

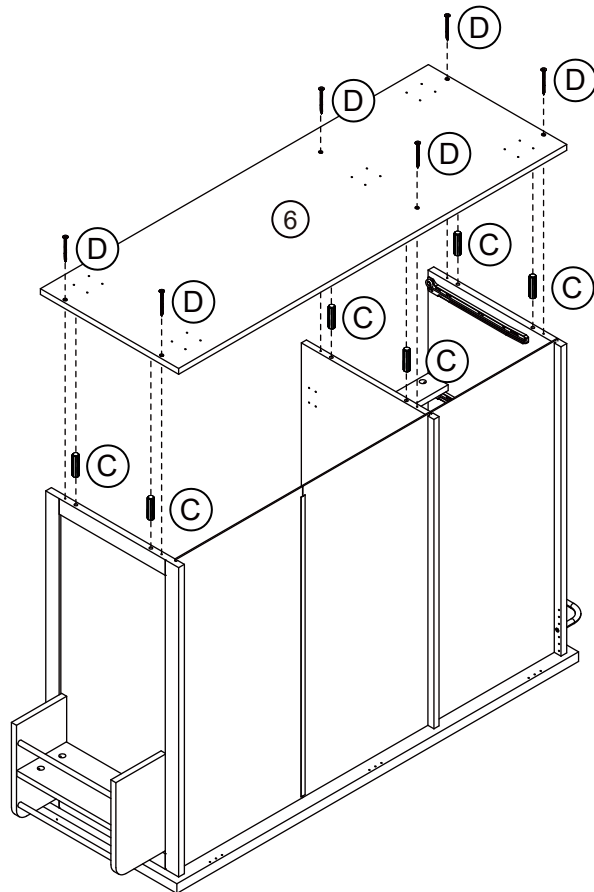
Step9
Schritt9

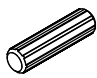



Step10
Schritt10

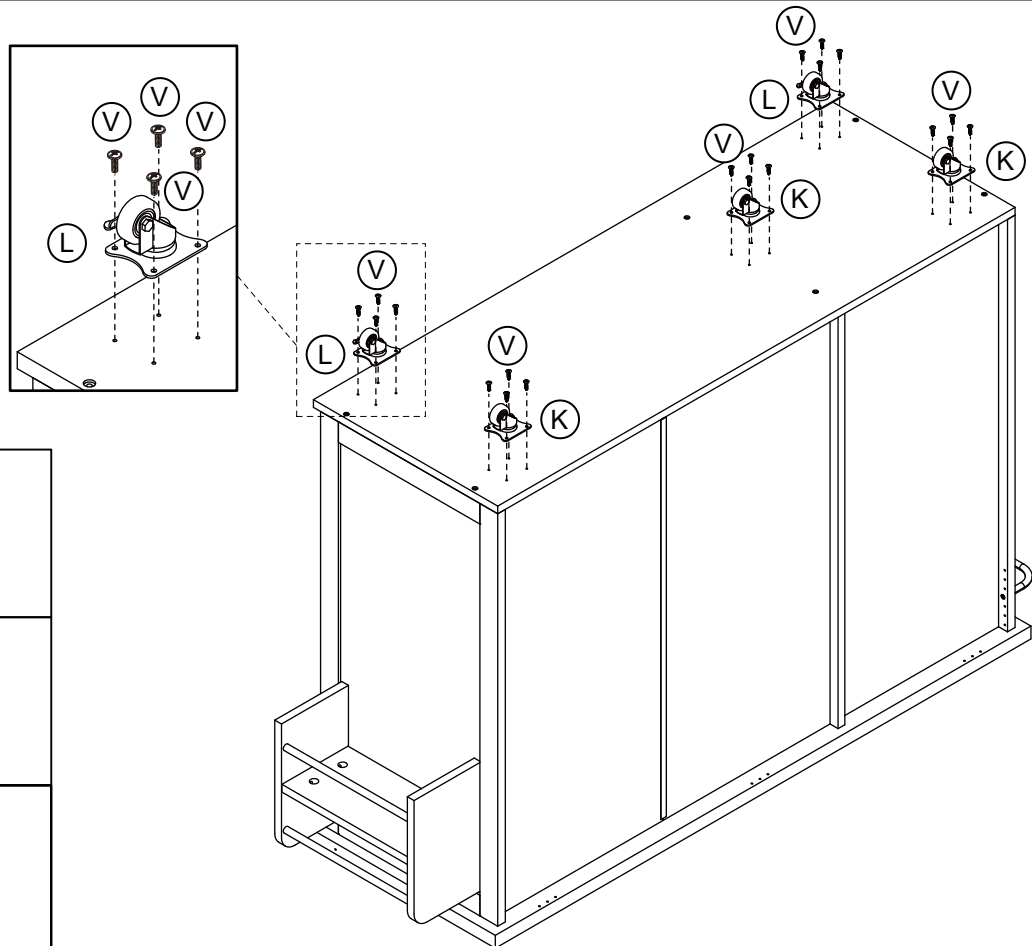



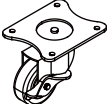
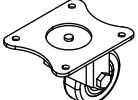
Step11
Schritt11



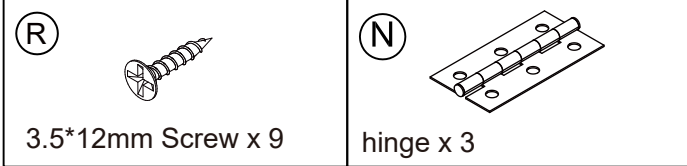
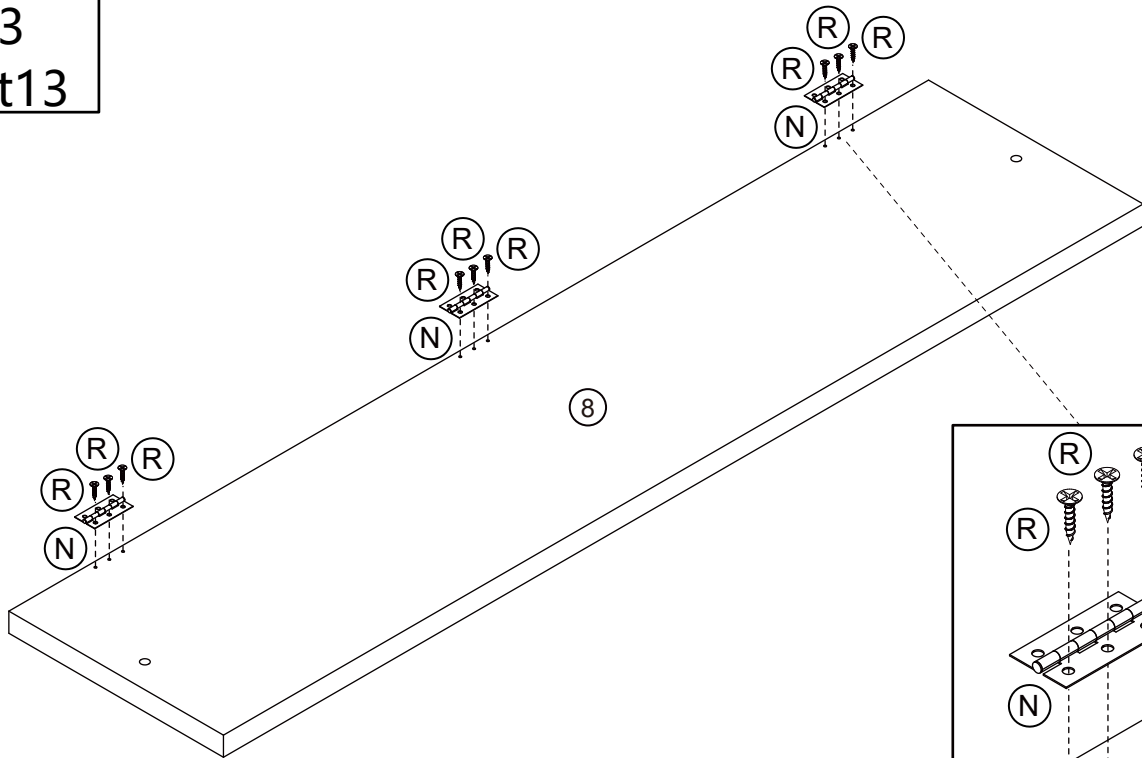
(C)	
6*30mm Dowel x 6	
(D)	
4*35mm Screw x 6	

Step12
Schritt12

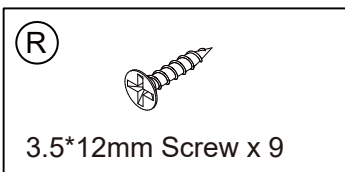
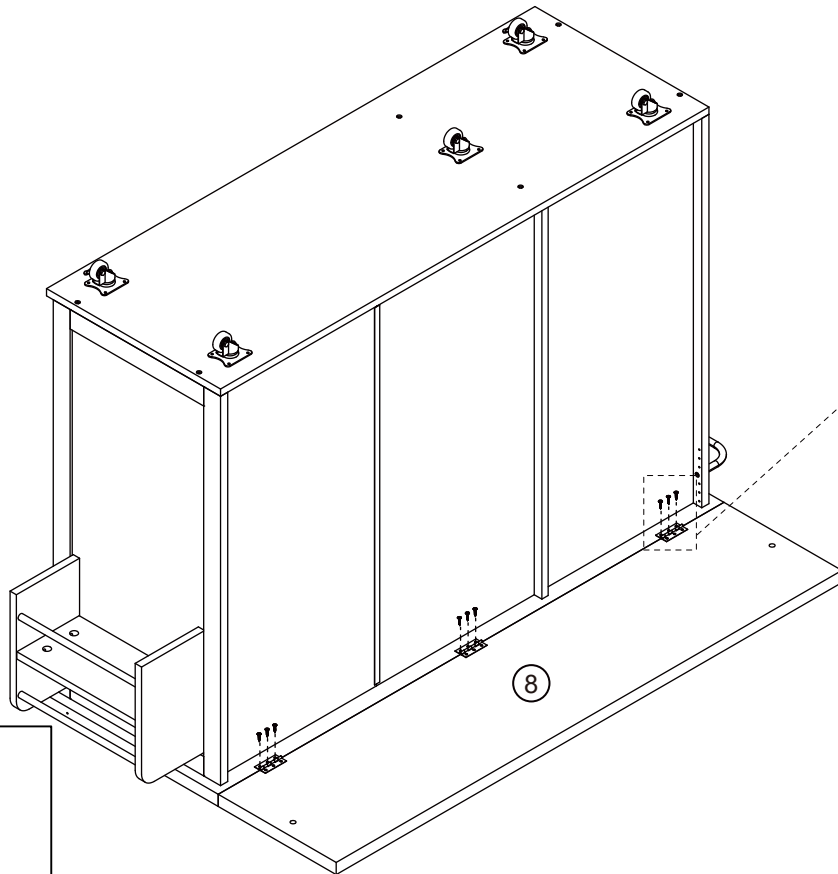


(V)	
6*14mm Screw x 20	
(L)	
Locking caster x 2	
(K)	
Caster x 3	

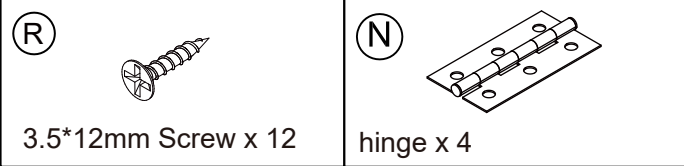
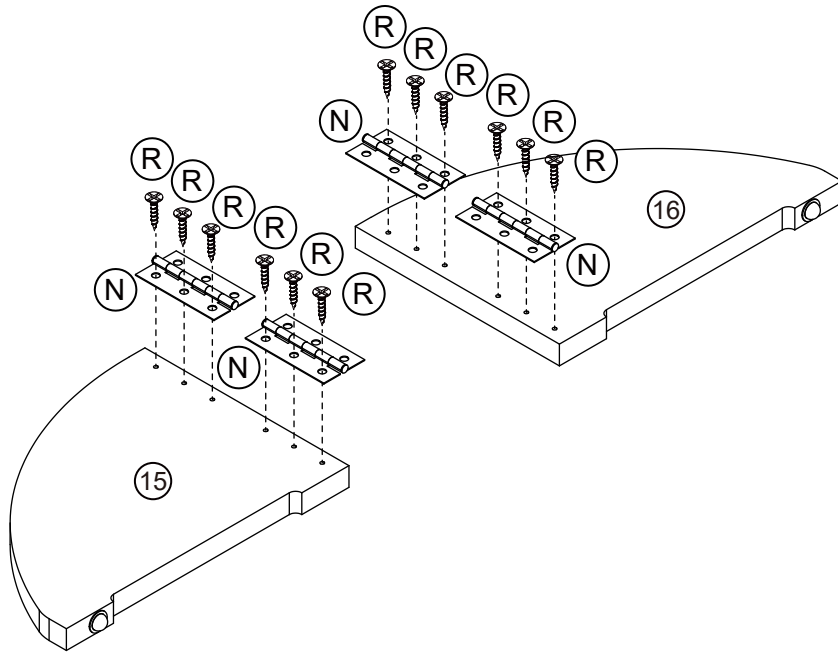
Step13
Schritt13



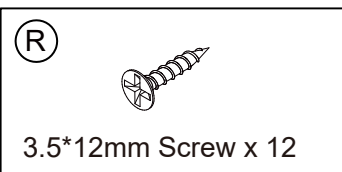
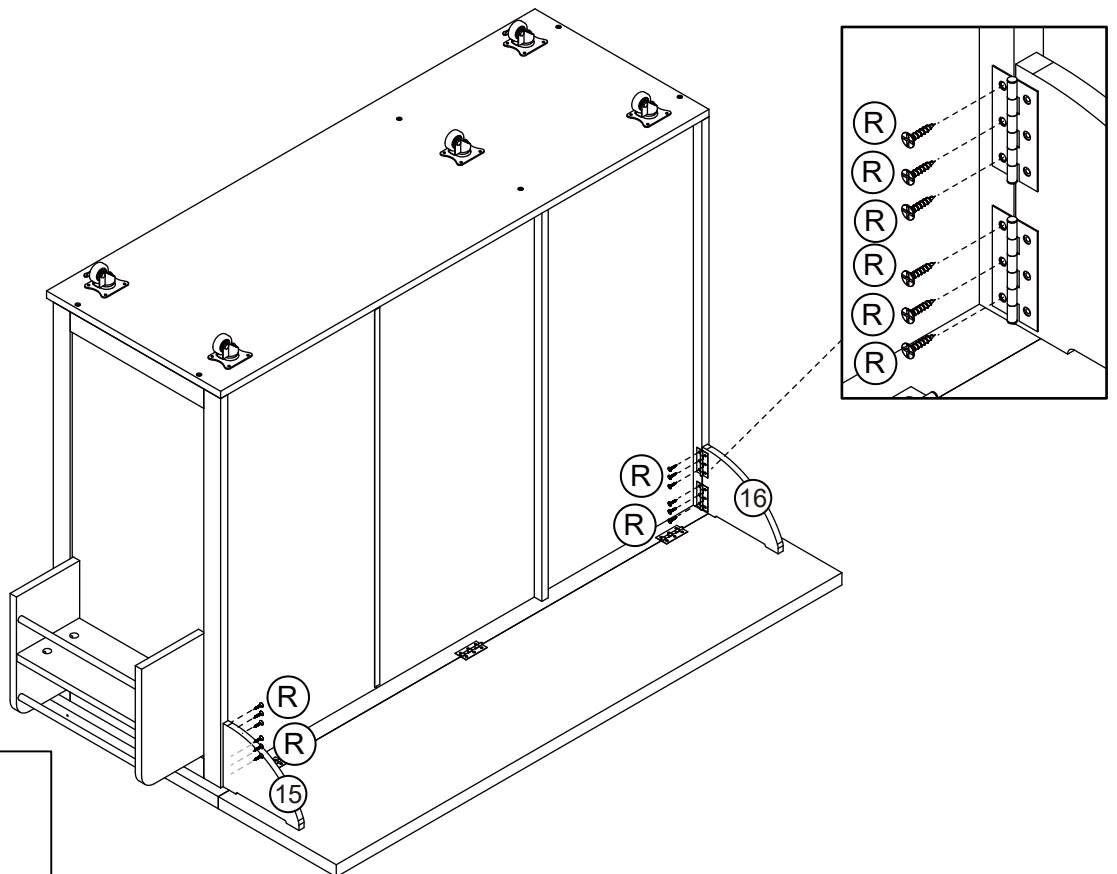
Step14
Schritt14



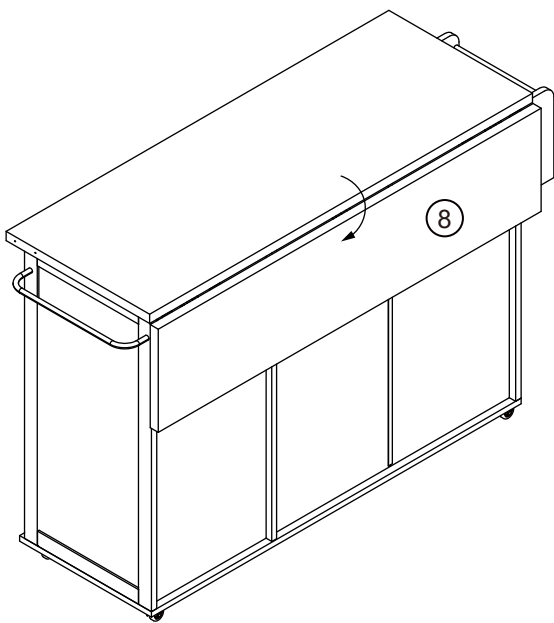
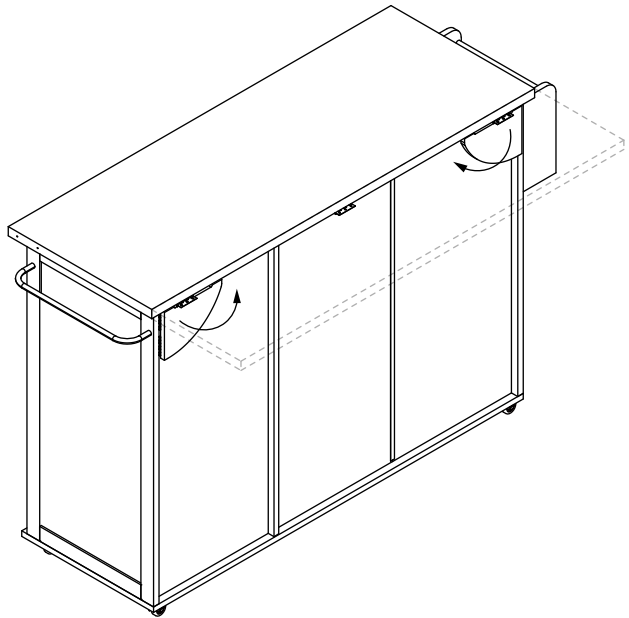
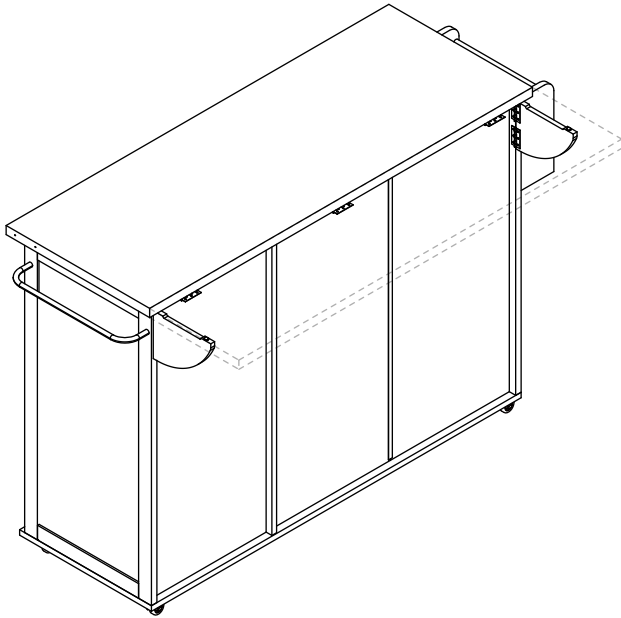
Step15
Schritt15



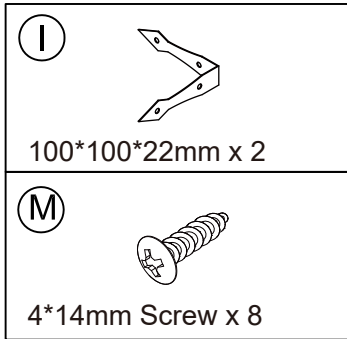
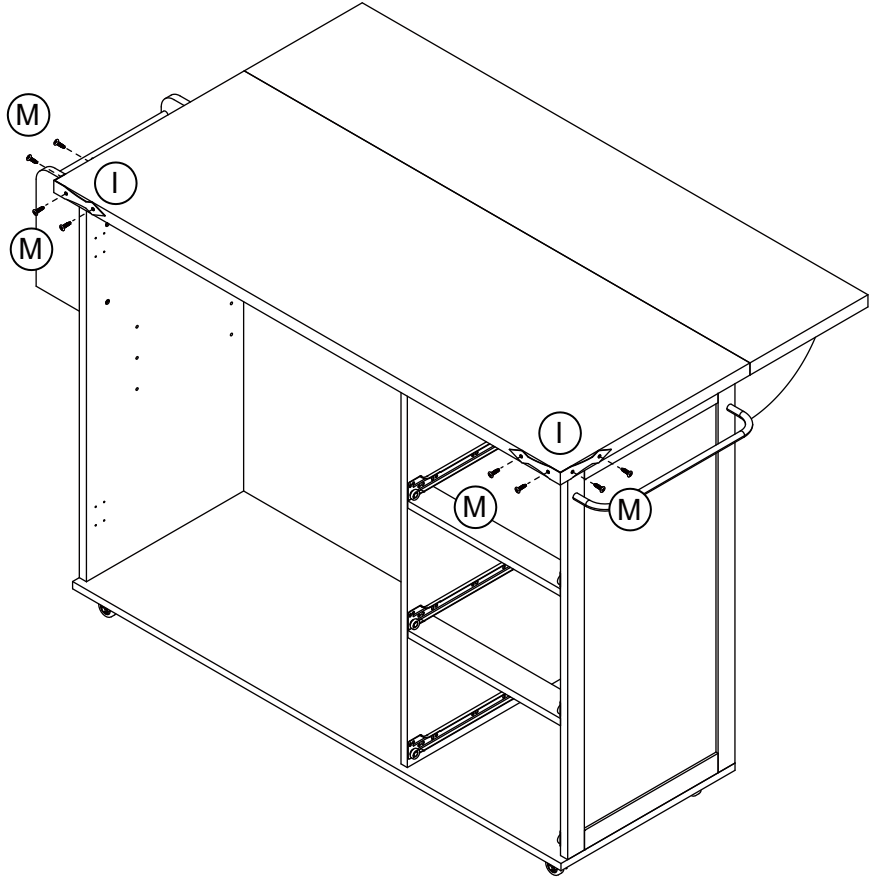
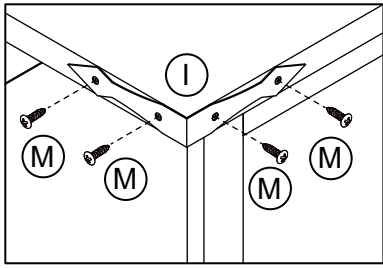
Step16
Schritt16



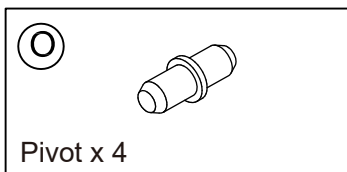
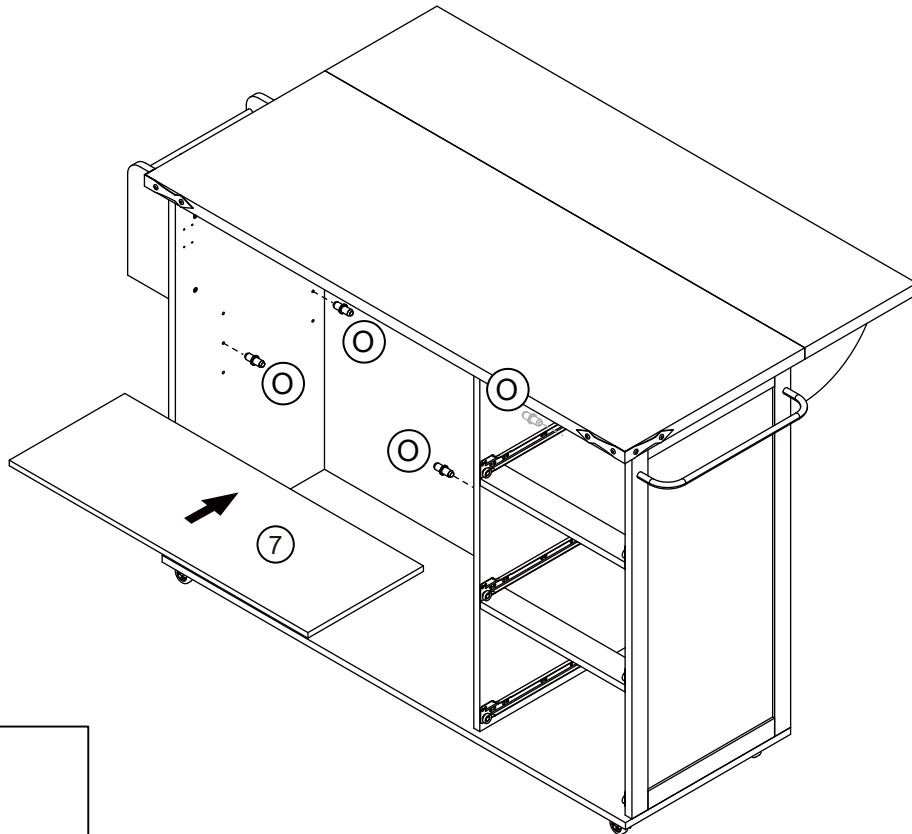
Step17
Schritt17



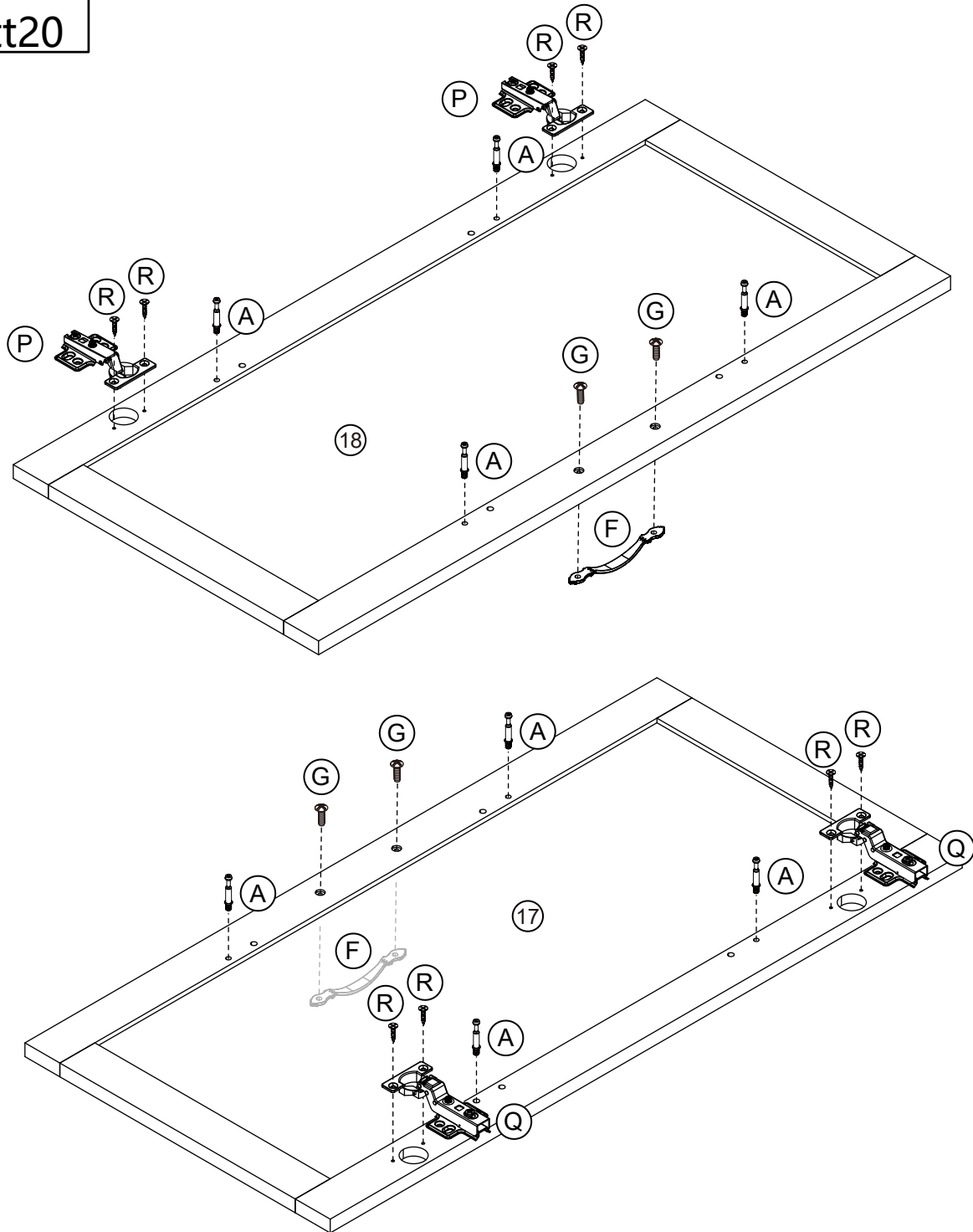
Step18
Schritt18

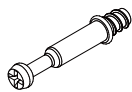



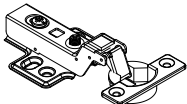
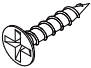
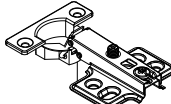

Step19
Schritt19



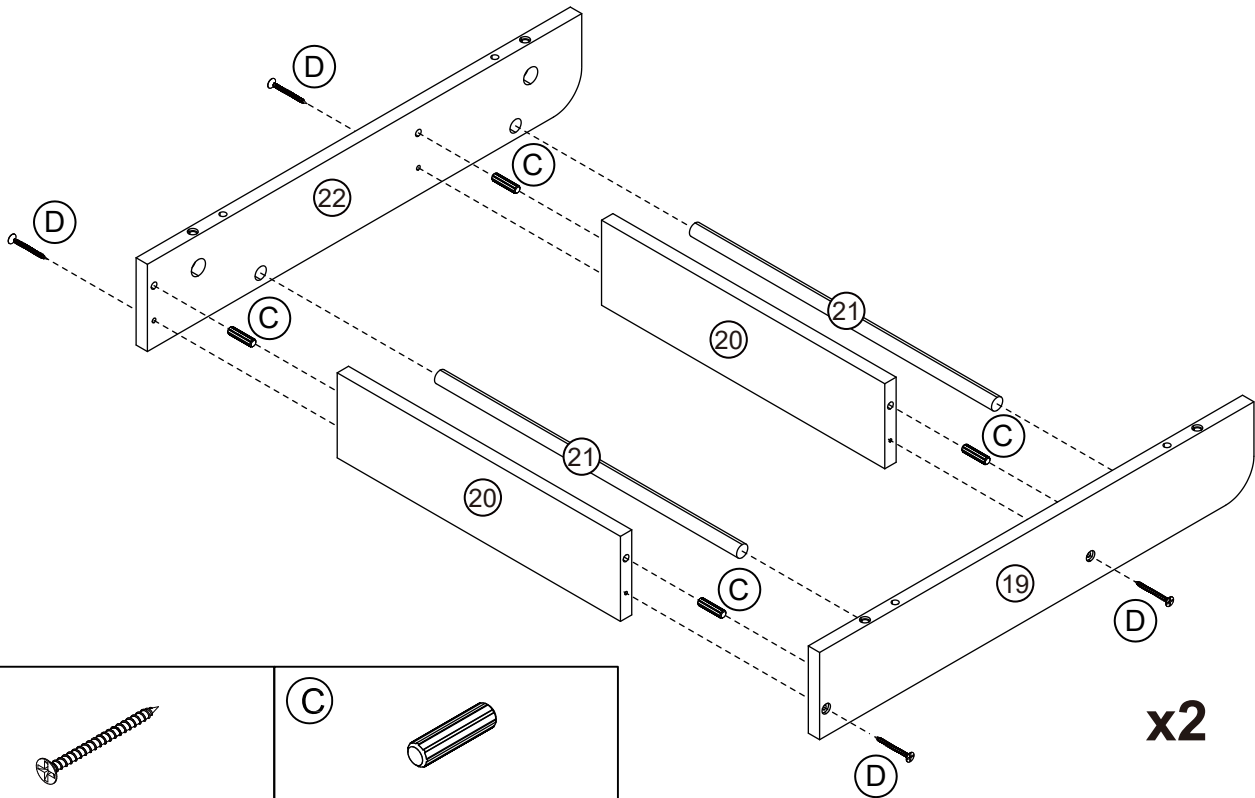
Step20
Schritt20


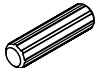


<p>(A)</p>  <p>Cam Bolt x 8</p>	<p>(F)</p>  <p>Hold hands x 2</p>
--	--

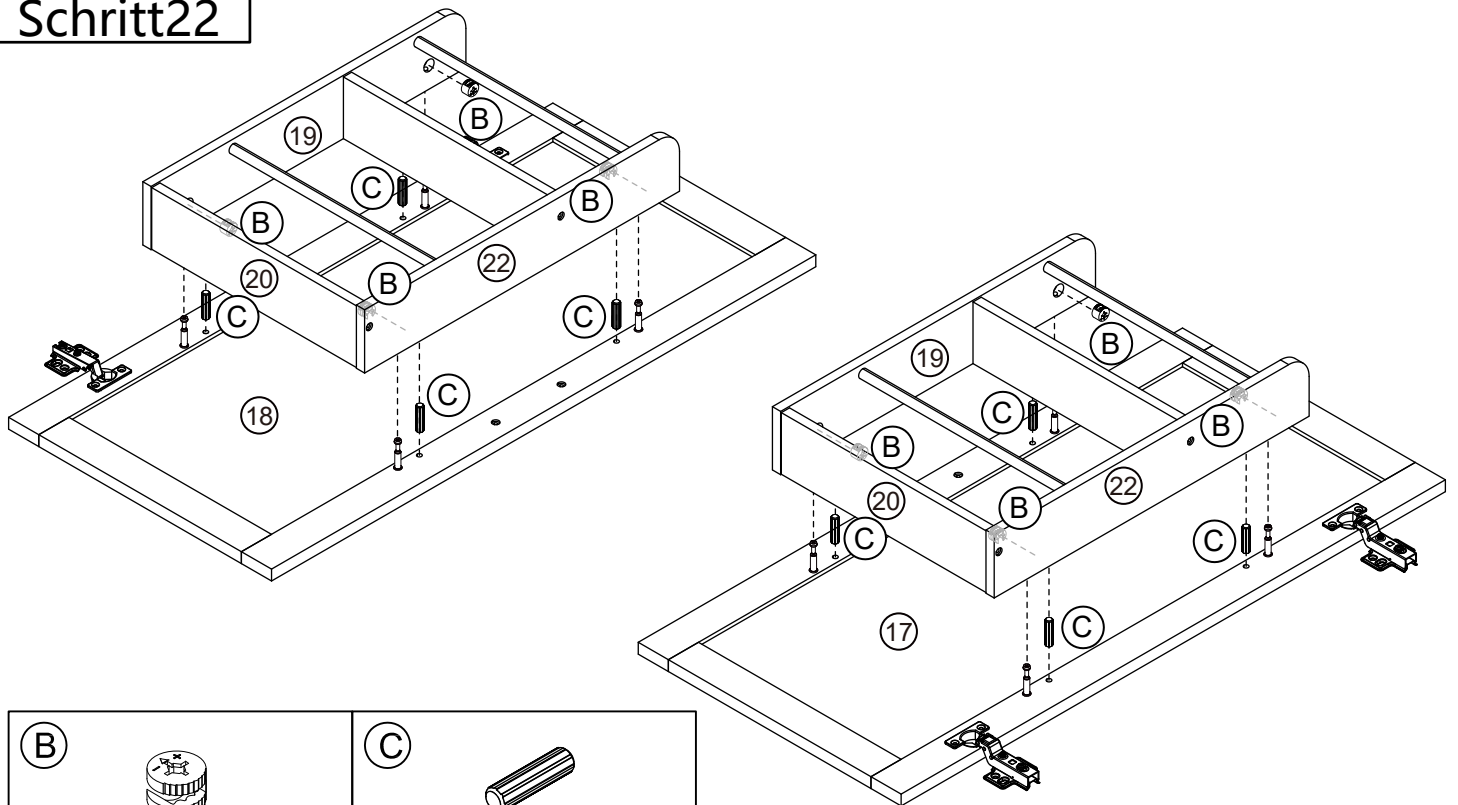
<p>(Q)</p>  <p>26mm x 2</p>	<p>(R)</p>  <p>3.5*12mm Screw x 8</p>	<p>(P)</p>  <p>26mm x 2</p>	<p>(G)</p>  <p>4*18mm Screw x 4</p>
--	--	---	--


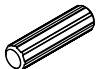
Step21 Schritt21



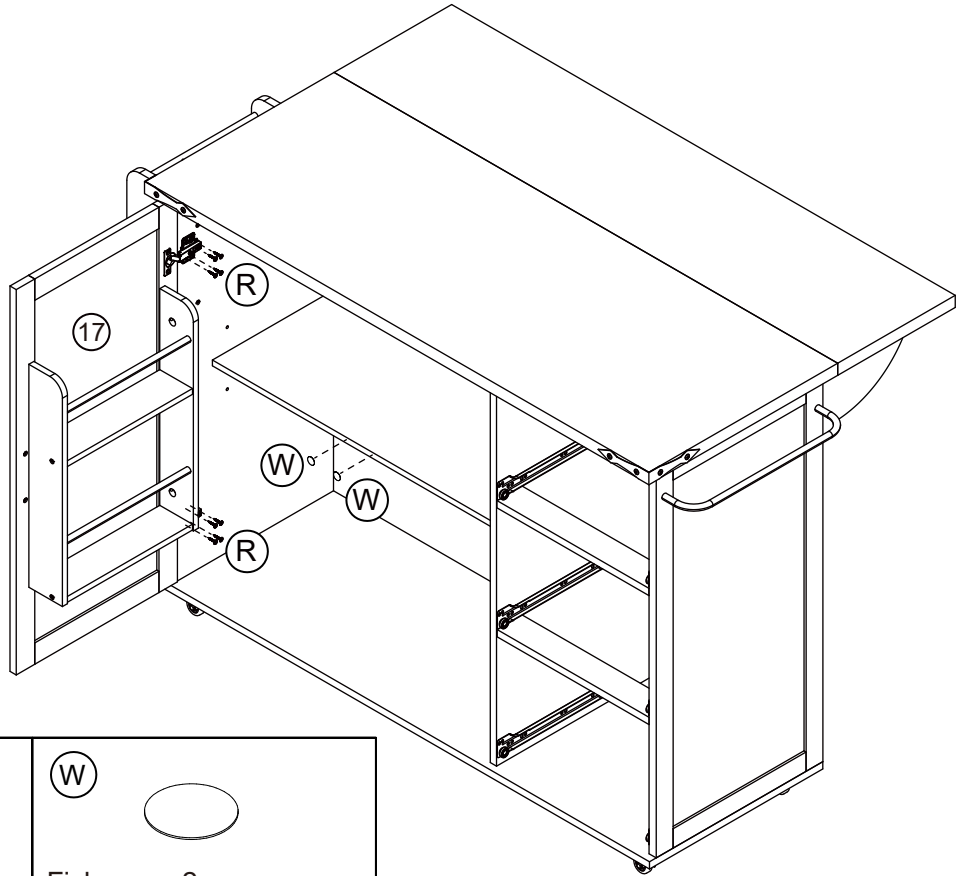
<p>(D)</p>  <p>4*35mm Screw x 8</p>	<p>(C)</p>  <p>6*30mm Dowel x 8</p>
---	---

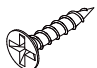

Step22 Schritt22



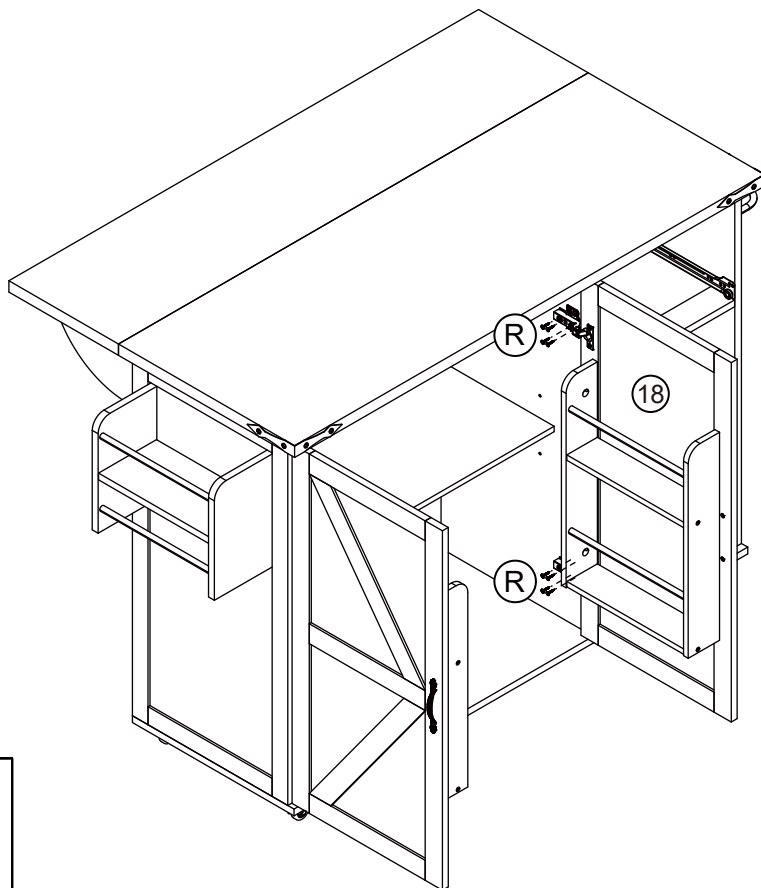
<p>(B)</p>  <p>Cam lock x 8</p>	<p>(C)</p>  <p>6*30mm Dowel x 8</p>
--	--

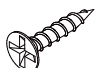
Step23
Schritt23



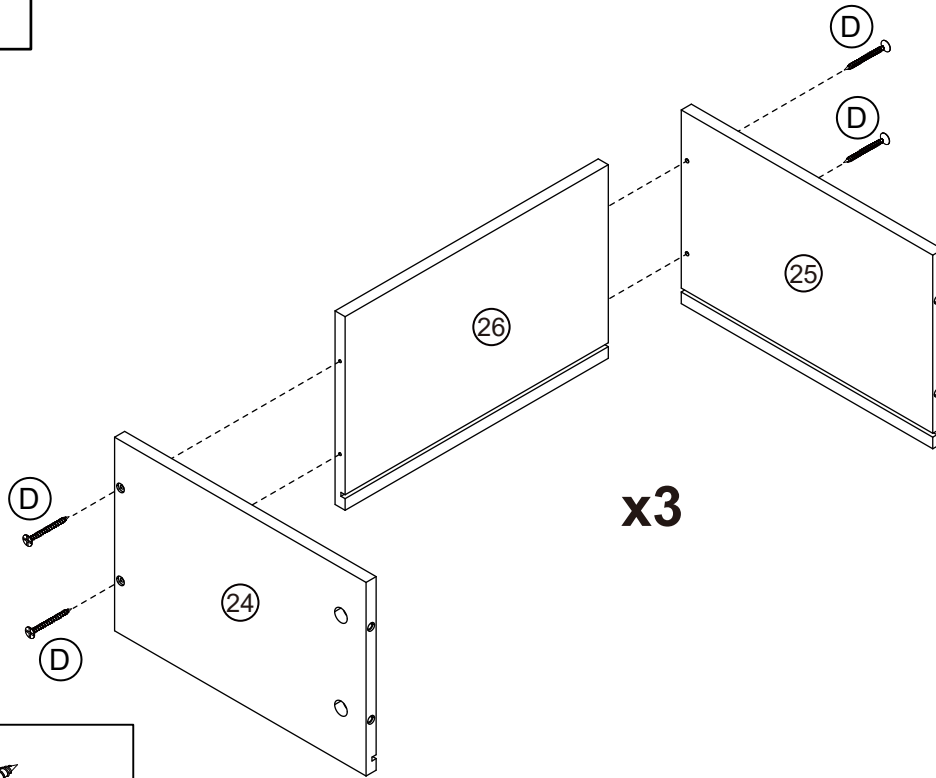
<p>(R)</p>  <p>3.5*12mm Screw x 8</p>	<p>(W)</p>  <p>Fish eye x 2</p>
---	---

Step24
Schritt24

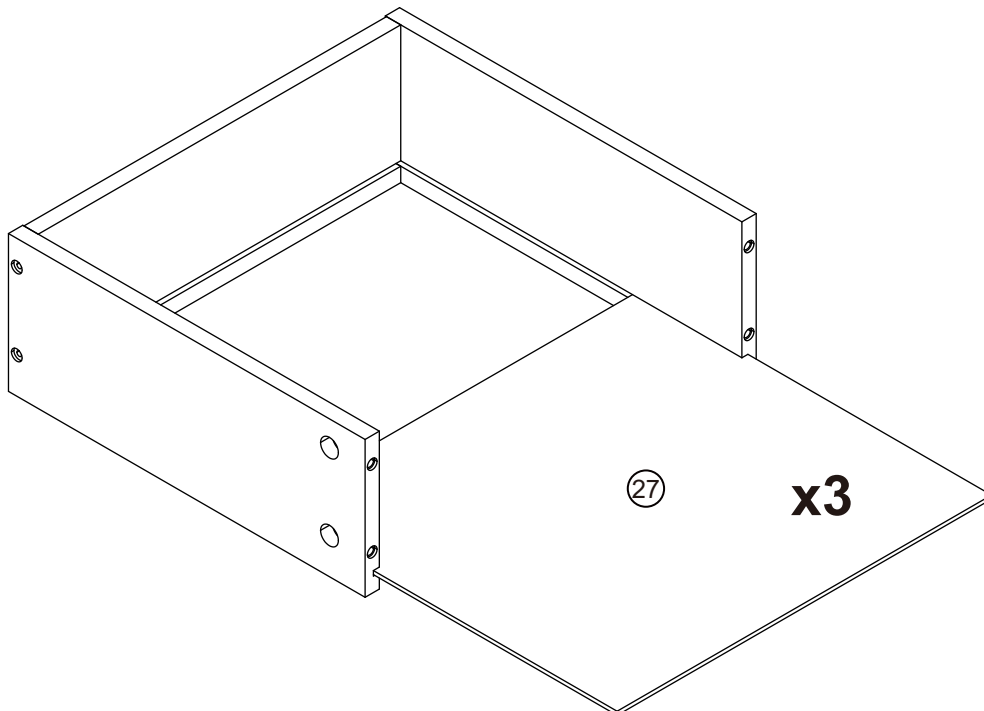


<p>(R)</p>  <p>3.5*12mm Screw x 8</p>
--

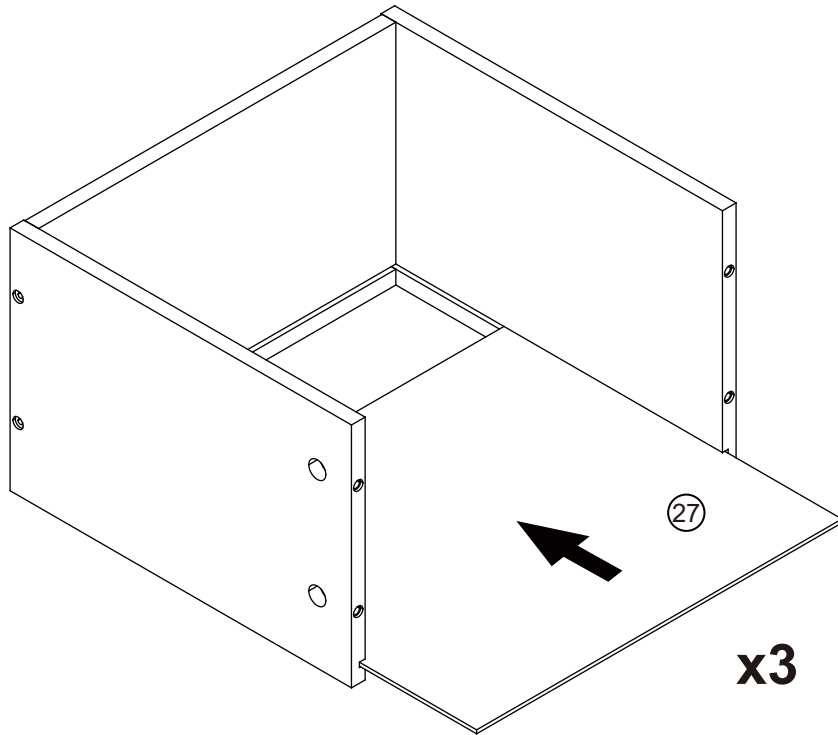
Step25
Schritt25



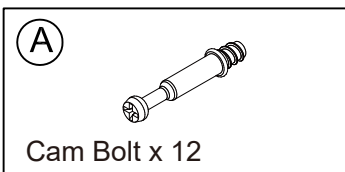
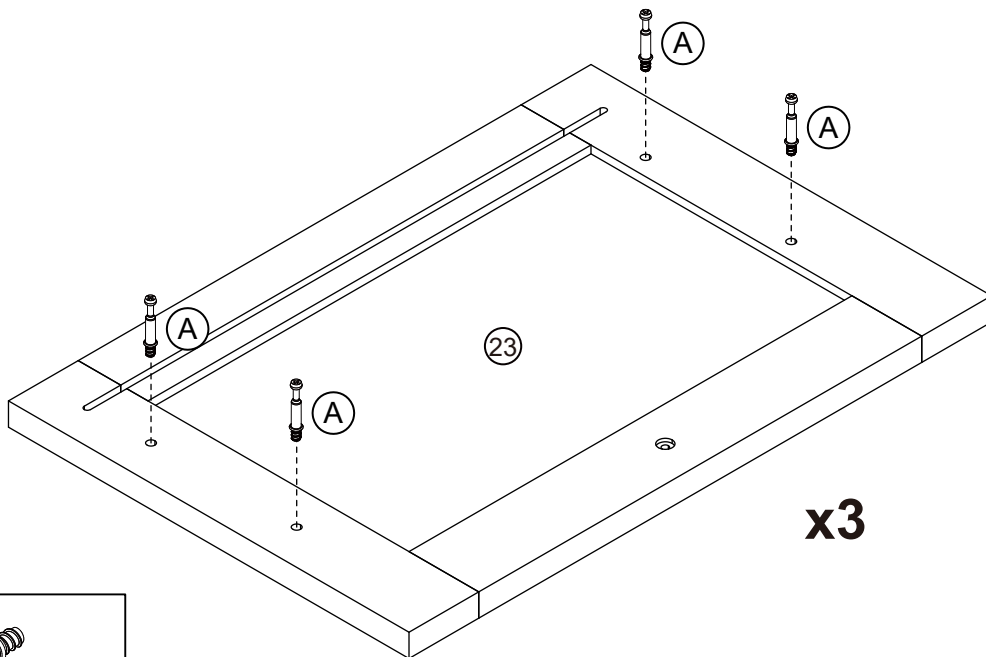
Step26
Schritt26



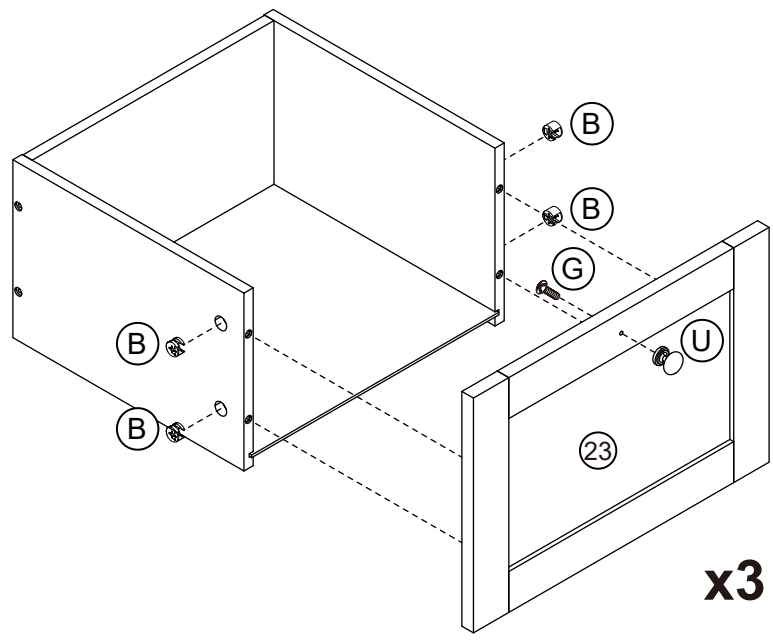
Step27
Schritt27




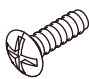

Step28
Schritt28



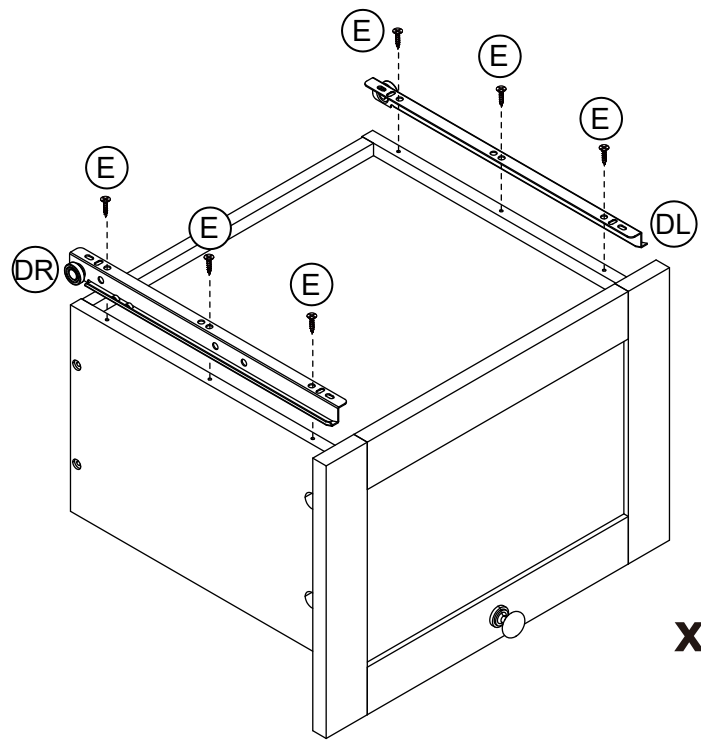
Step29
Schritt29



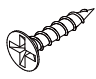
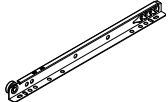
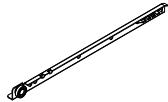
x3

<p>B</p>  <p>Cam lock x 12</p>	<p>G</p>  <p>4*18mm Screw x 3</p>	<p>U</p>  <p>Hold hands x 3</p>
---	--	--

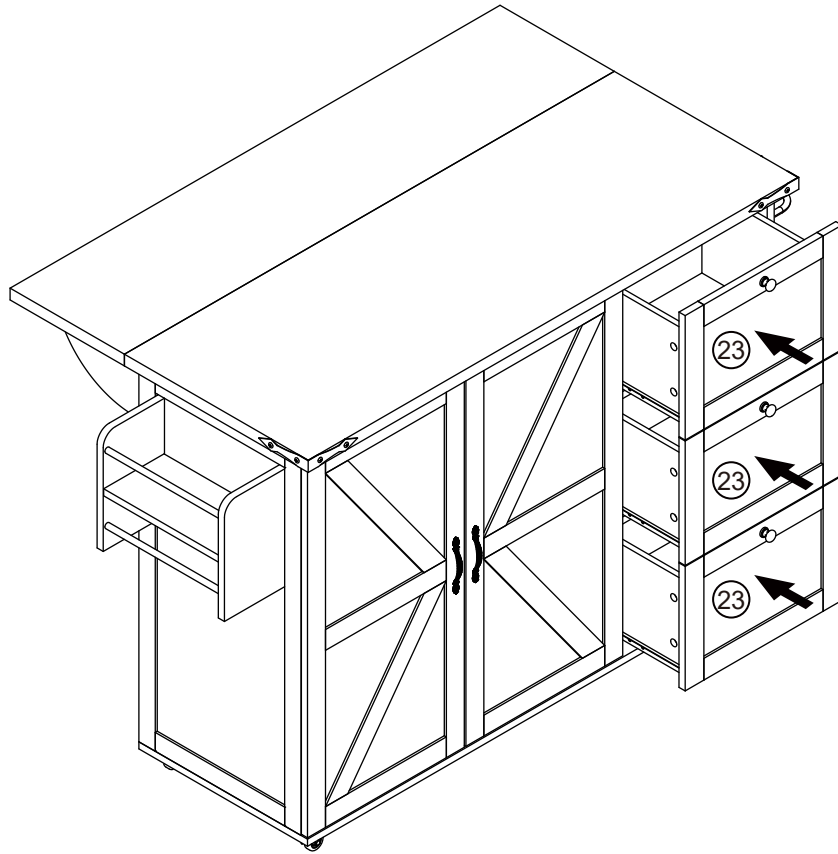
Step30
Schritt30



x3

<p>E</p>  <p>3.5*12mm Screw x 18</p>	<p>DR</p>  <p>Runner 300mm x 3</p>	<p>DL</p>  <p>Runner 300mm x 3</p>
--	--	---

Step31
Schritt31



Step32
Schritt32

