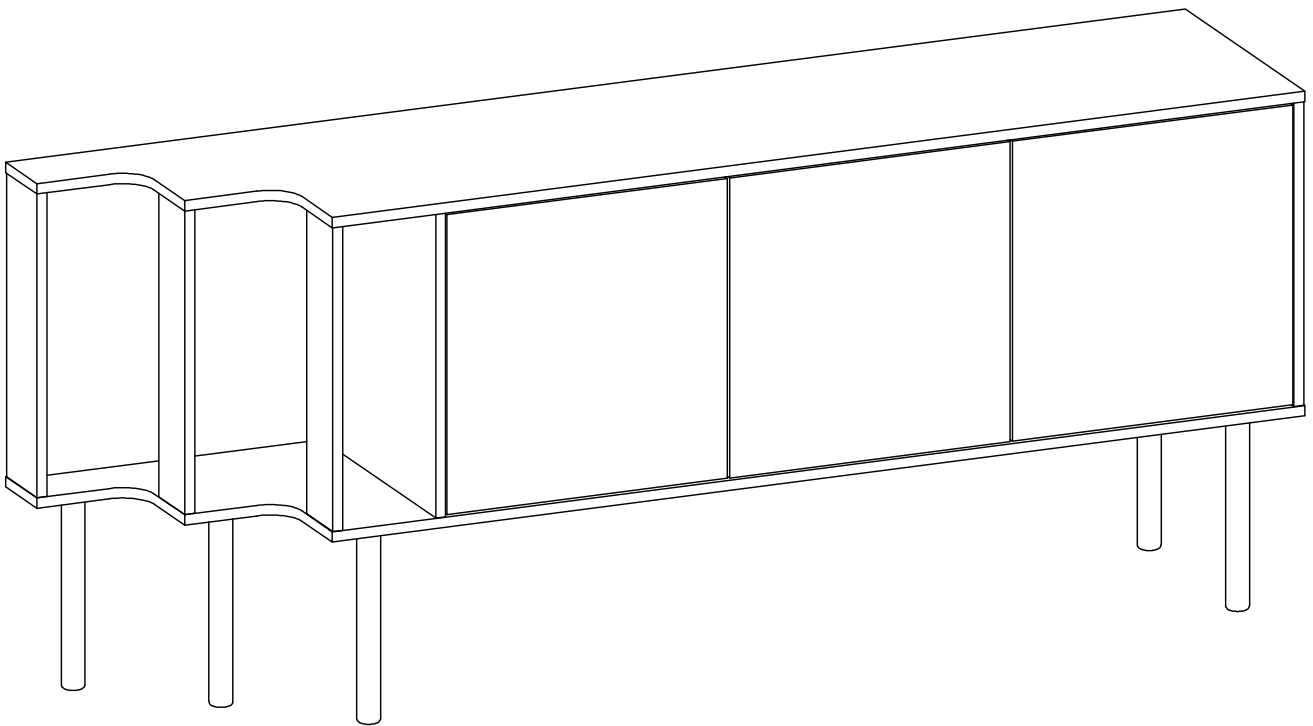


Assembly Instruction

Shift Sideboard 3-Door



Kære kunde

Tillykke med dit nye køb.
Følg disse råd og få det bedste resultat, når du samler produktet.

- Læs vejledningen grundigt, før du går i gang
- Find hjælp, hvis I skal være to til at samle møblet
- Tjek at pakken indeholder alle dele på materialeoversigten
- Saml møblet på et blødt underlag, så du undgår ridser
- Følg vejledningen nøje
- Efterspænd møblet efter en måned
- Gem denne vejledning

Afsæt tid

Nogle møbler kan samles på få minutter. Andre – der f.eks. består af flere dele – kan tage over en time at samle. Afsæt god tid eller gør evt. arbejdet af flere omgange.

Mangler du enkeltdele, eller har du spørgsmål til samlevejledningen. Så kontakt kundeservice på ilva.dk. Venligst oplys del nr. og reference nr. fra side 1.

Venlig hilsen
ILVA

Dear Customer

Congratulations on your new purchase.
Follow this advice and get the best result when assembling the product.

- Read the instruction carefully before you start
- Get help, if two persons are required for assembly
- Make sure, you have all parts on the total material list
- Work on a soft, flat surface to avoid any damage to the finish
- Follow the assembly instruction
- Tighten the furniture joints after a month
- Keep the assembly instruction

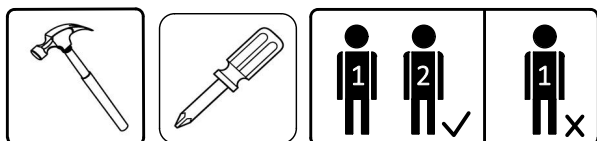
Allocate time

Some furniture can be assembled in minutes. Others – e.g. products in several parts – can take more than an hour to finish. Make sure to allocate good time or divide up the work.

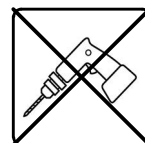
If any parts are missing or if you have questions for the assembly instruction, please contact customer support at ilva.dk. Please mention item no. and reference no from page 1

Best regards,
ILVA

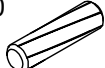



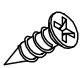






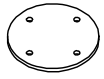



Tools needed

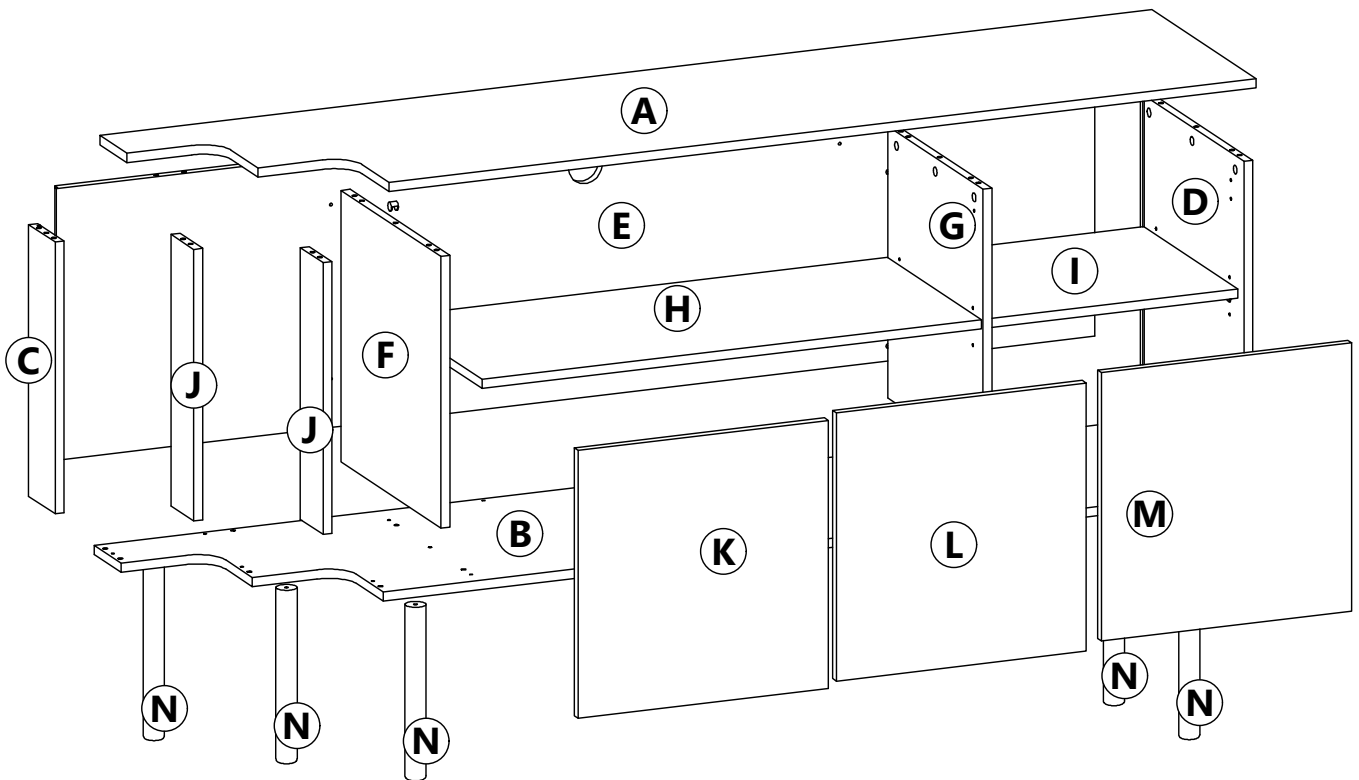


Don't use!!!



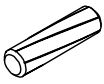
Total material list, hardware

A1 x20 8x35 	A2 x4 7x24 	A3 x1 d15x16 	A4 x20 5x50 	A5 x4 3.5x15 	A6 x3 Pusher 
A7 x6 	A8 x4 	A9 x2 	A10 x20 	A11 x6 	A12 x6 
A13 x1 3mm 	A14 x1 4mm 	A15 x1 			

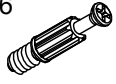


Assembly instructions, 1

A1 x26
8x35



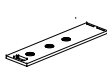
A2 x16
7x24



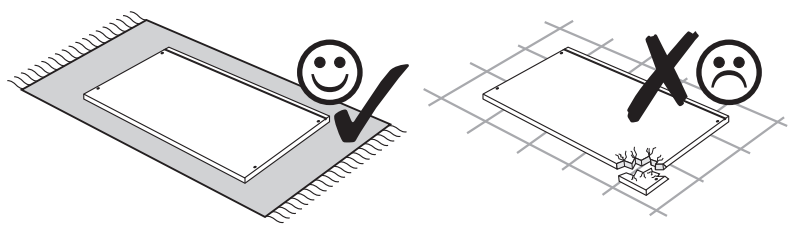
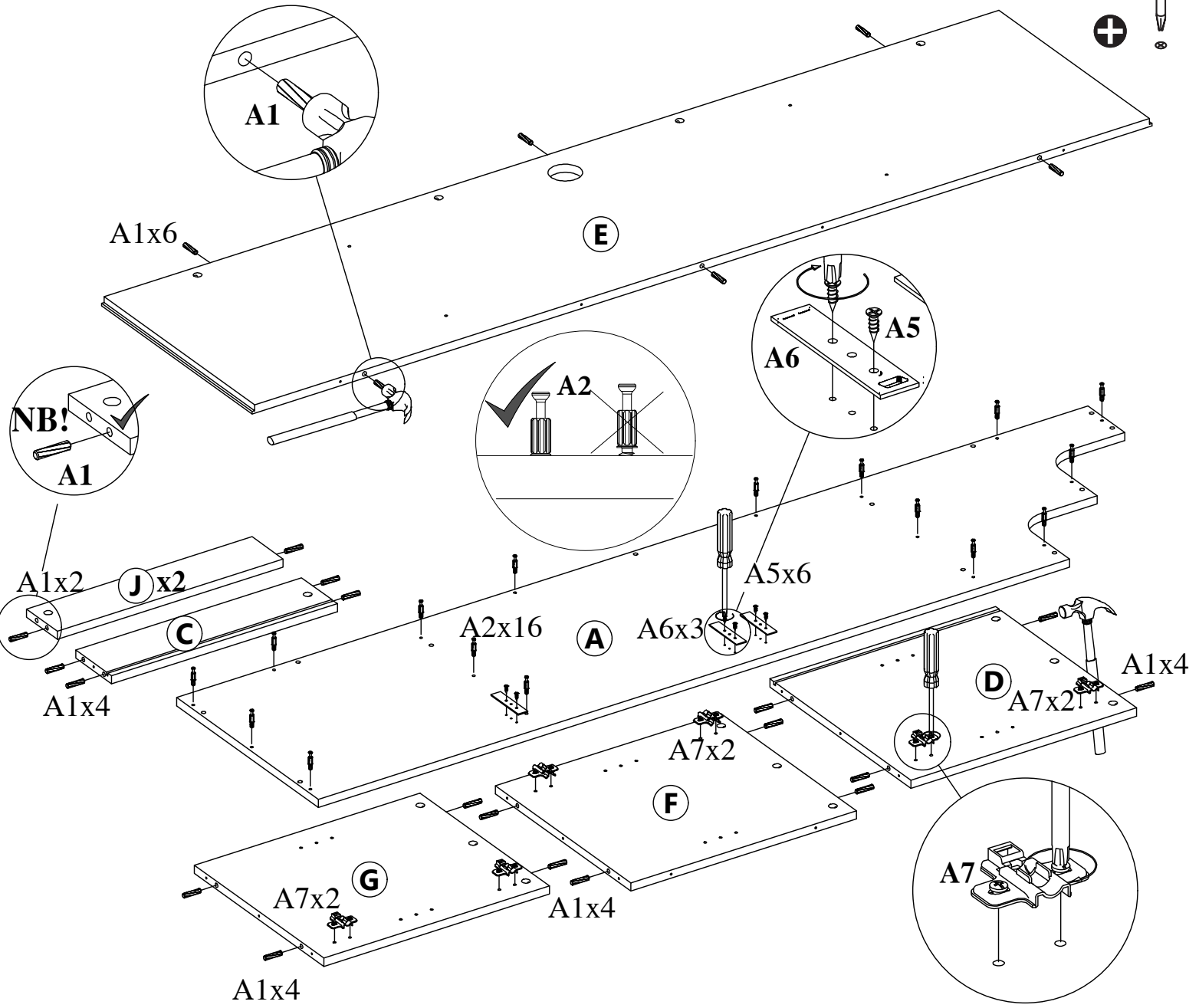
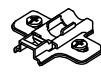
A5 x6
3.5x15



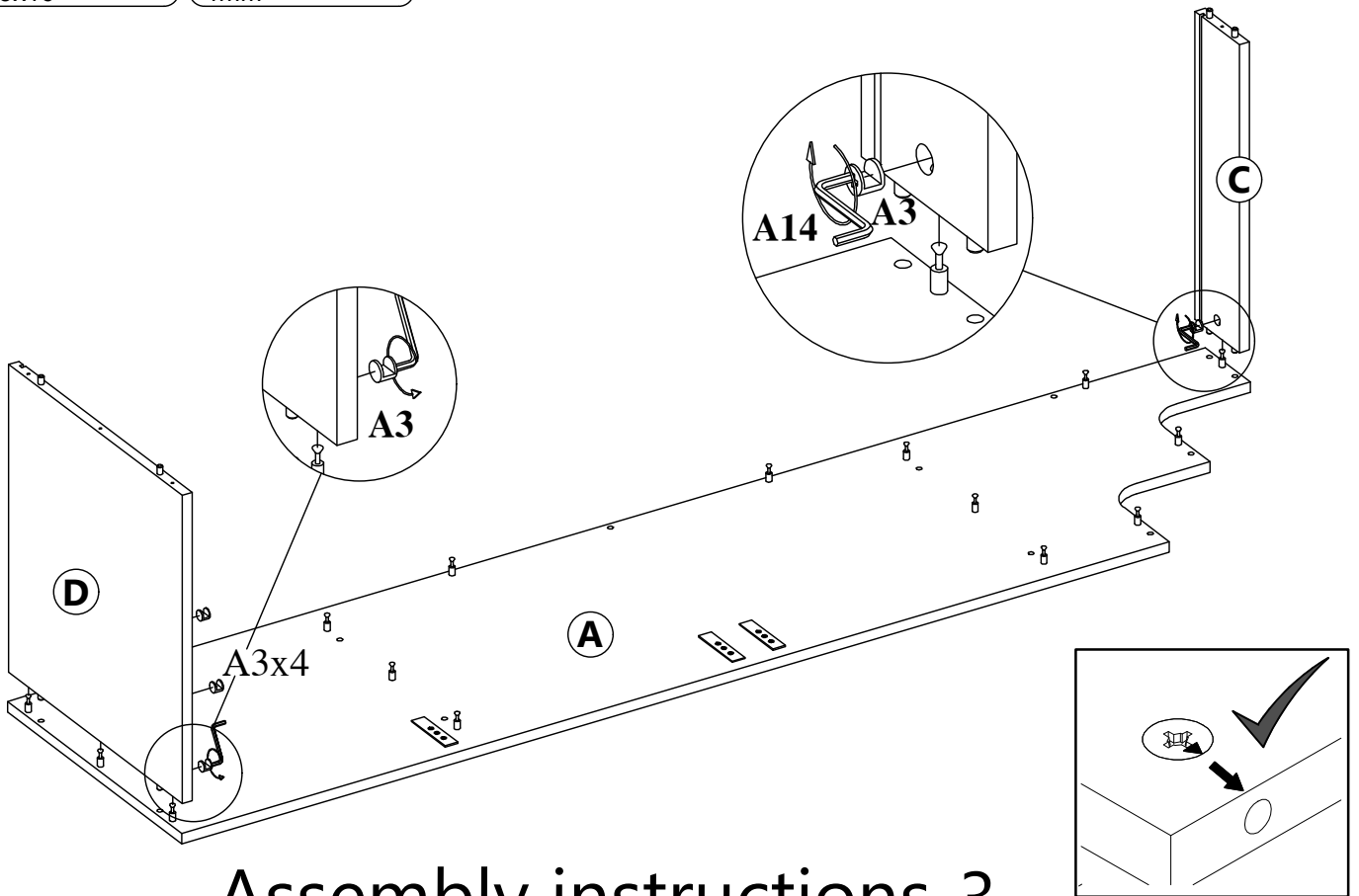
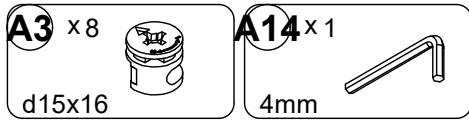
A6 x3
Pusher



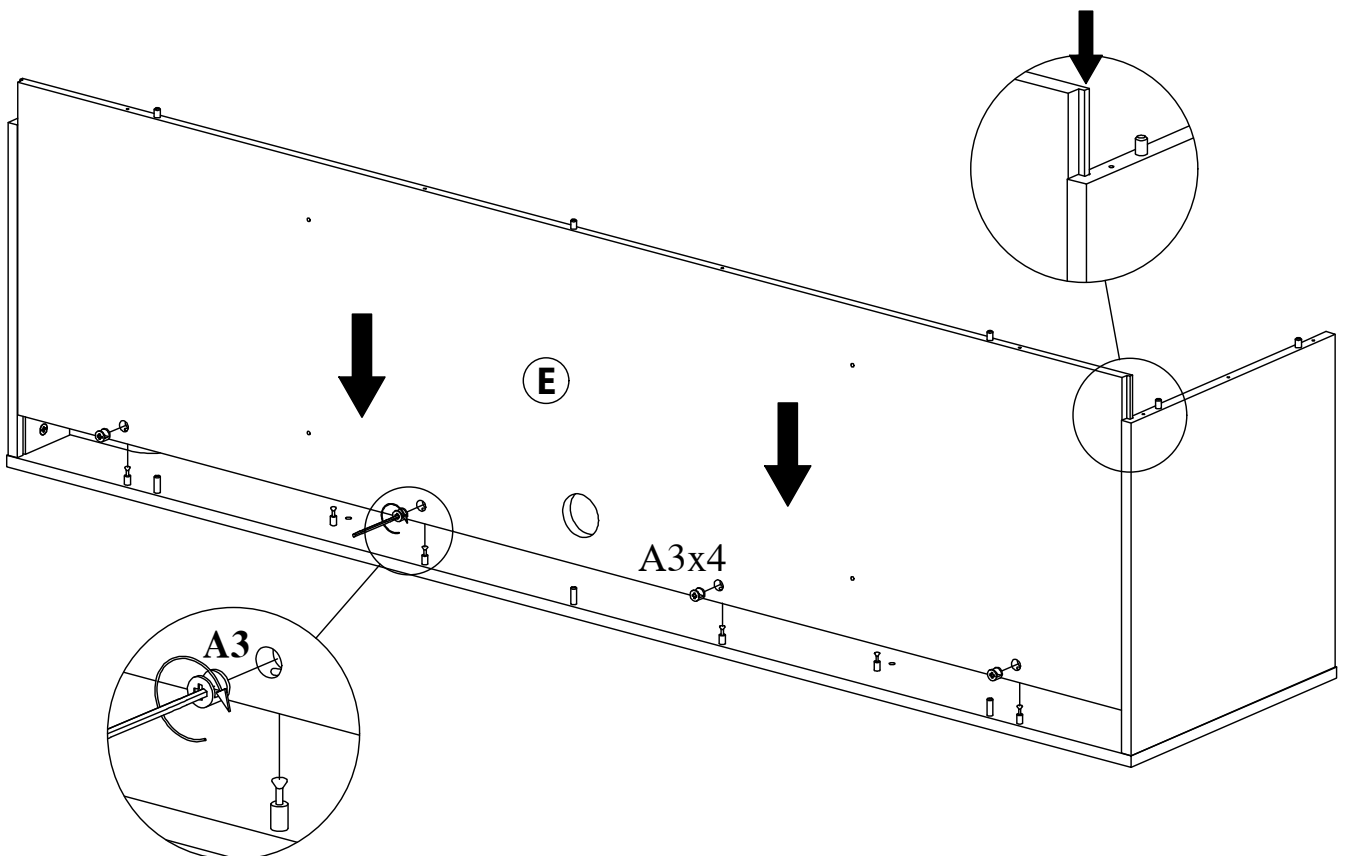
A7 x6



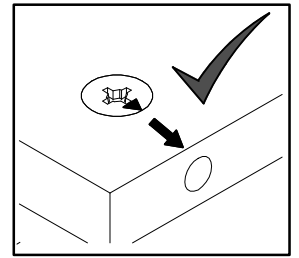
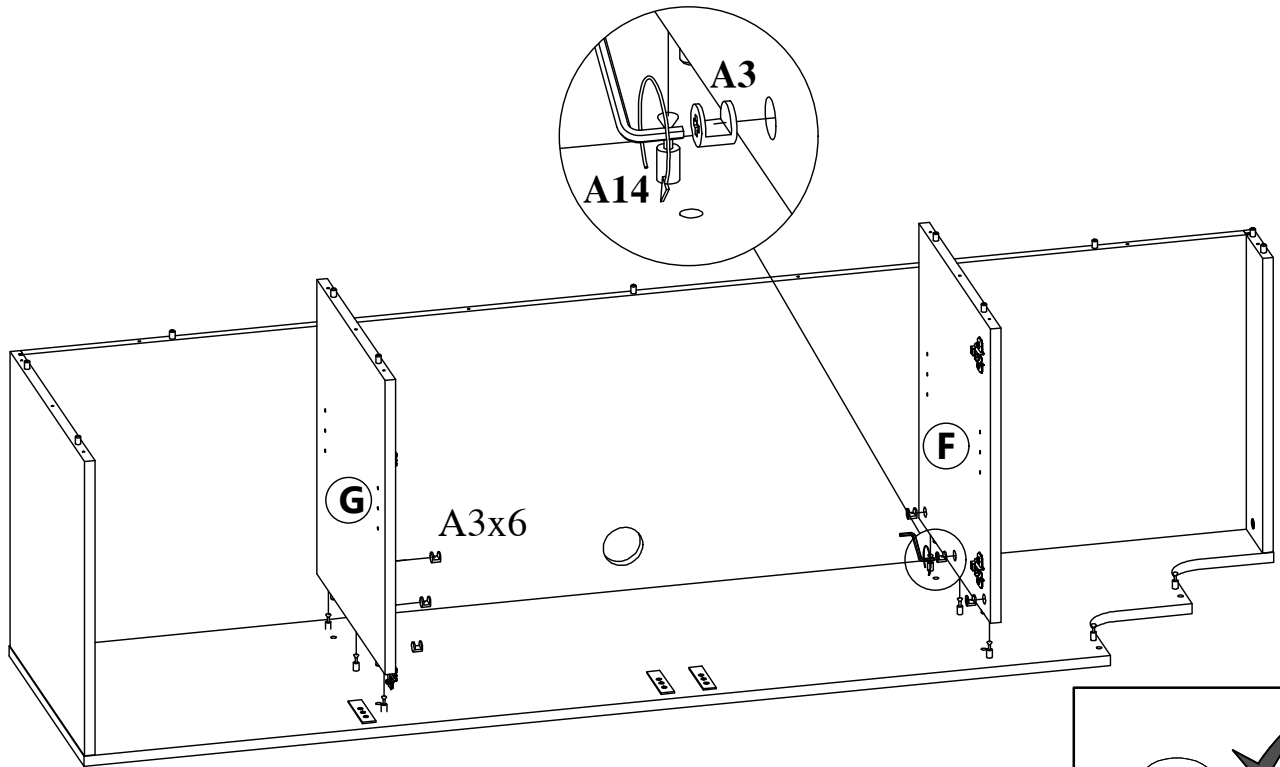
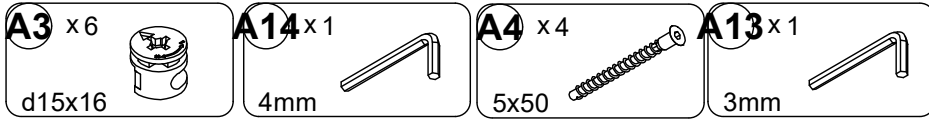
Assembly instructions, 2



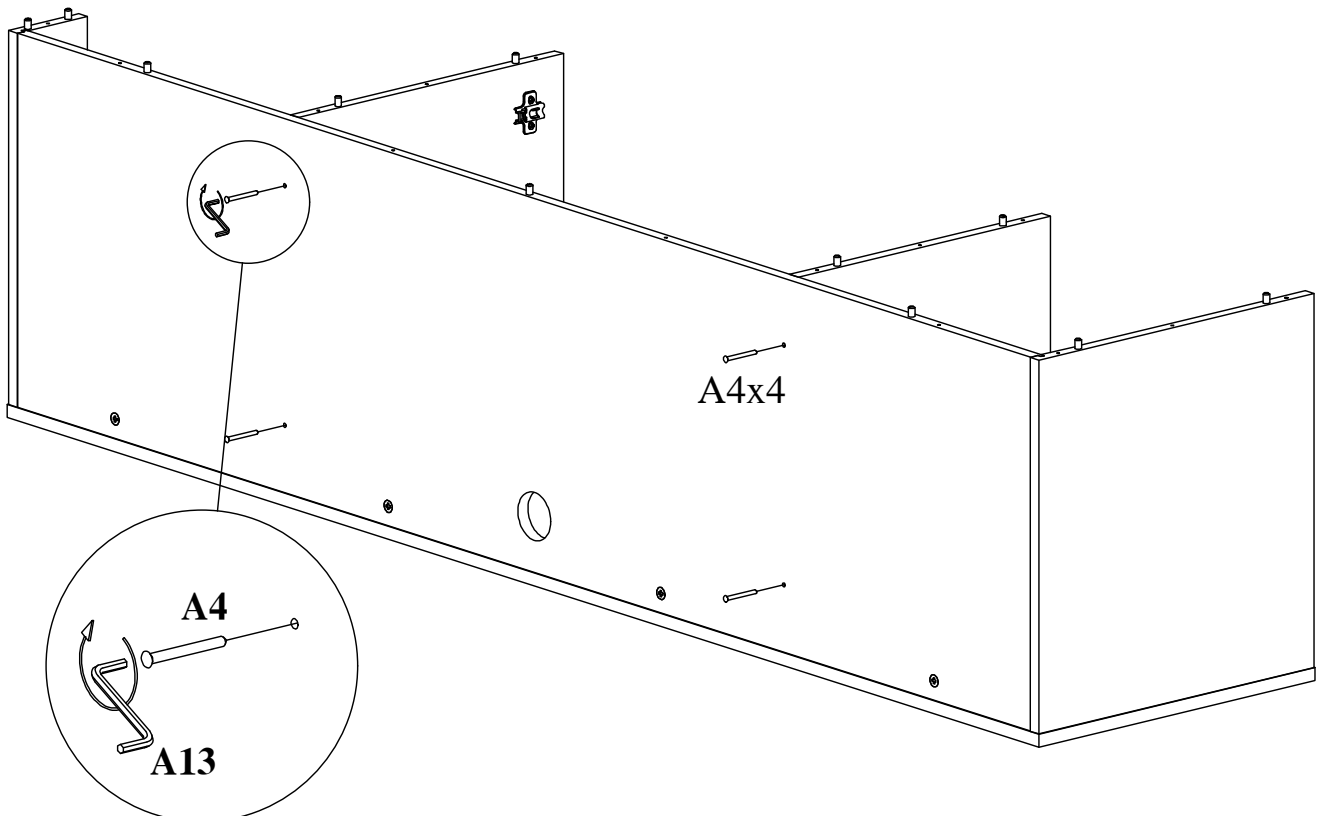
Assembly instructions, 3



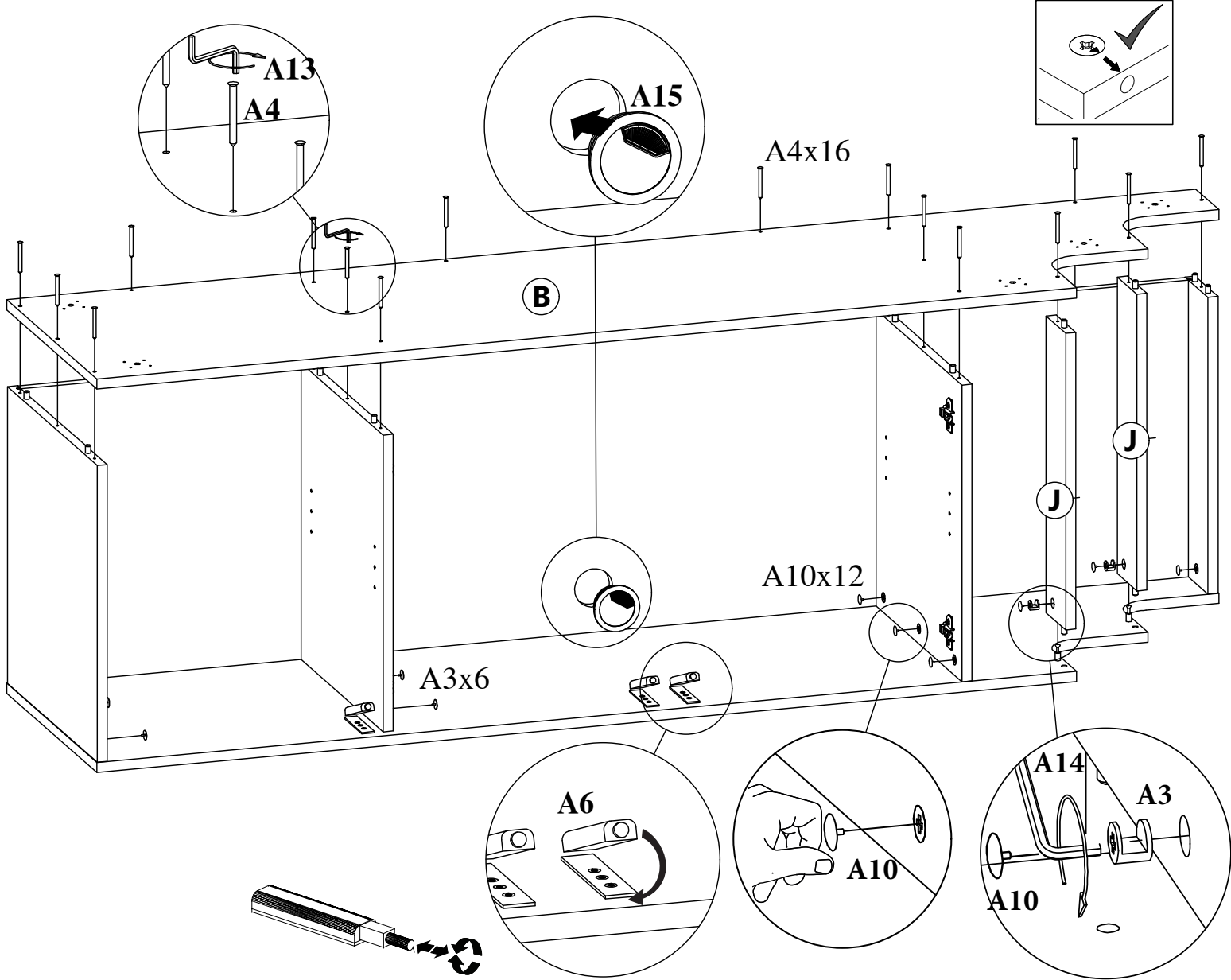
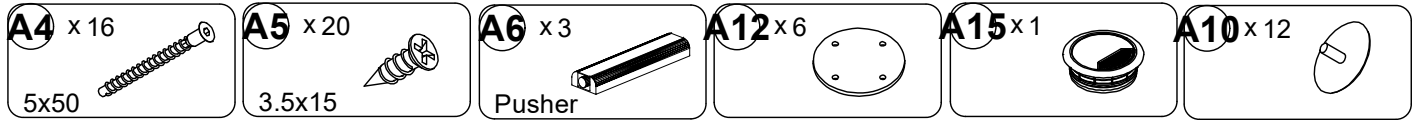
Assembly instructions, 4



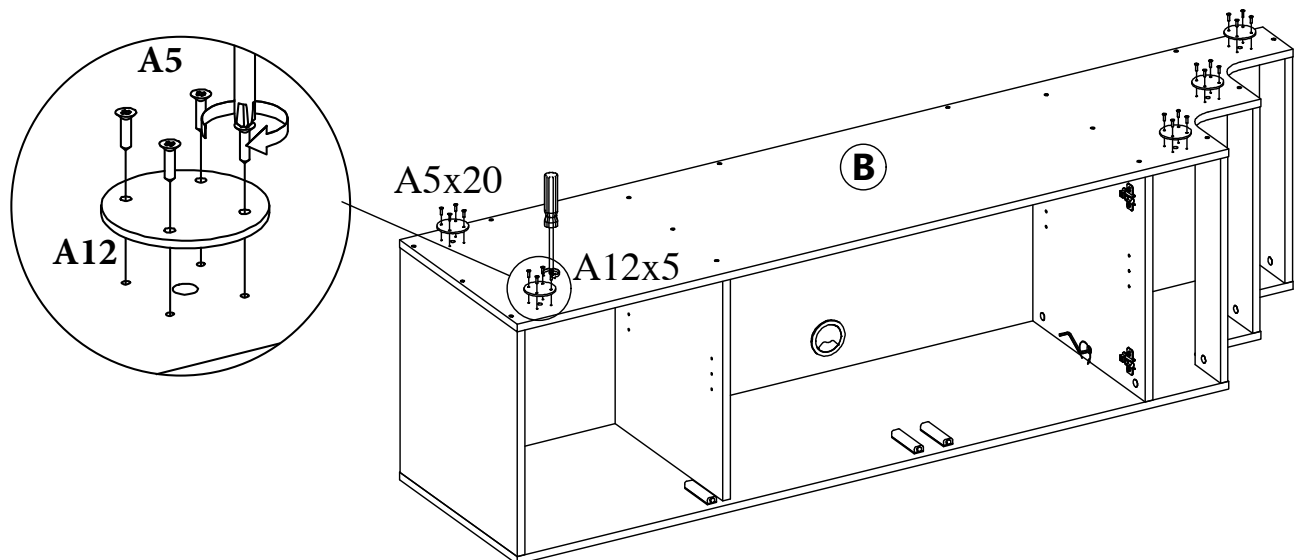
Assembly instructions, 5



Assembly instructions, 5

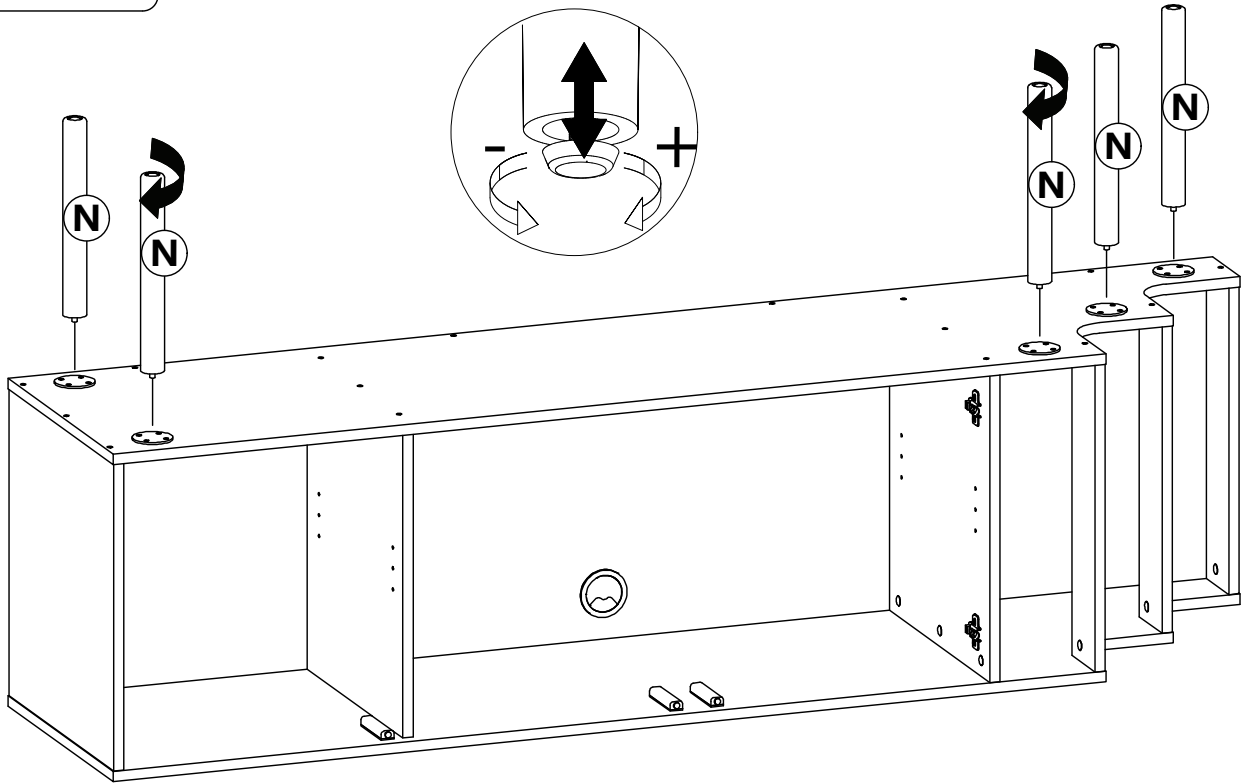


Assembly instructions, 6

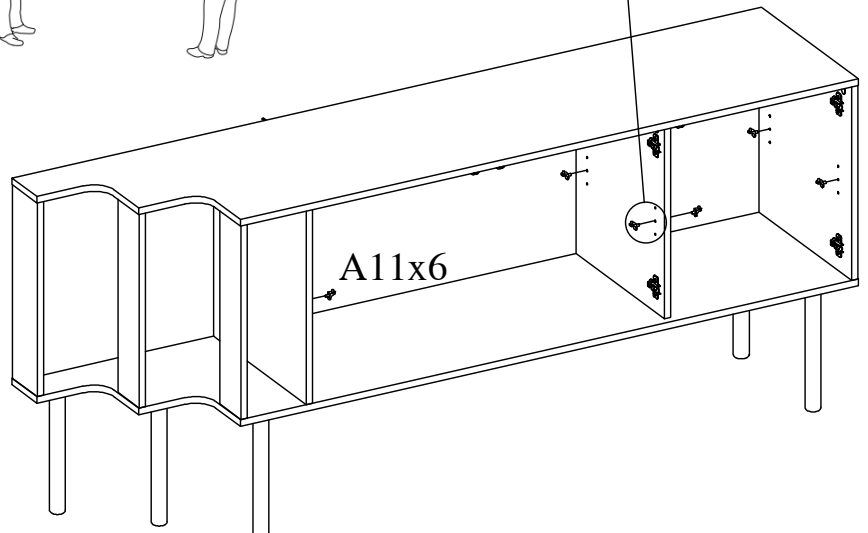
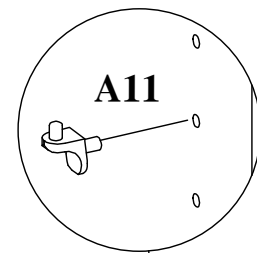
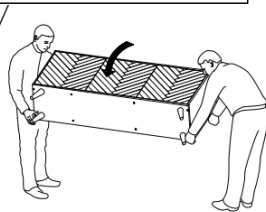
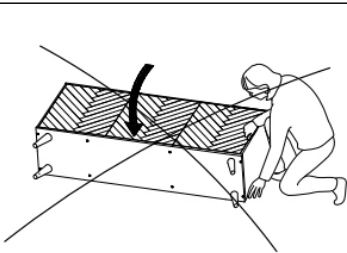
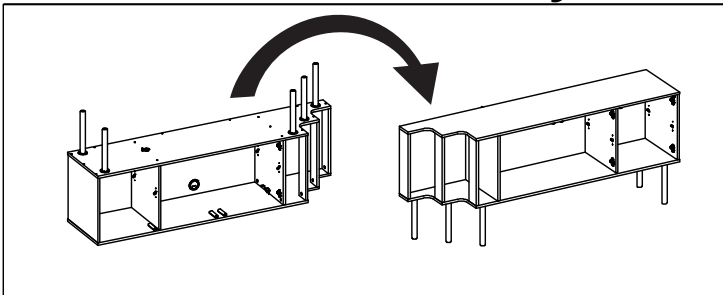


Assembly instructions, 7

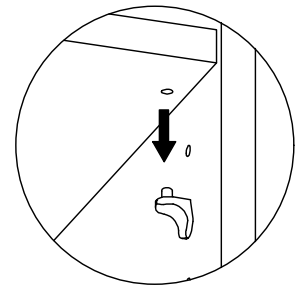
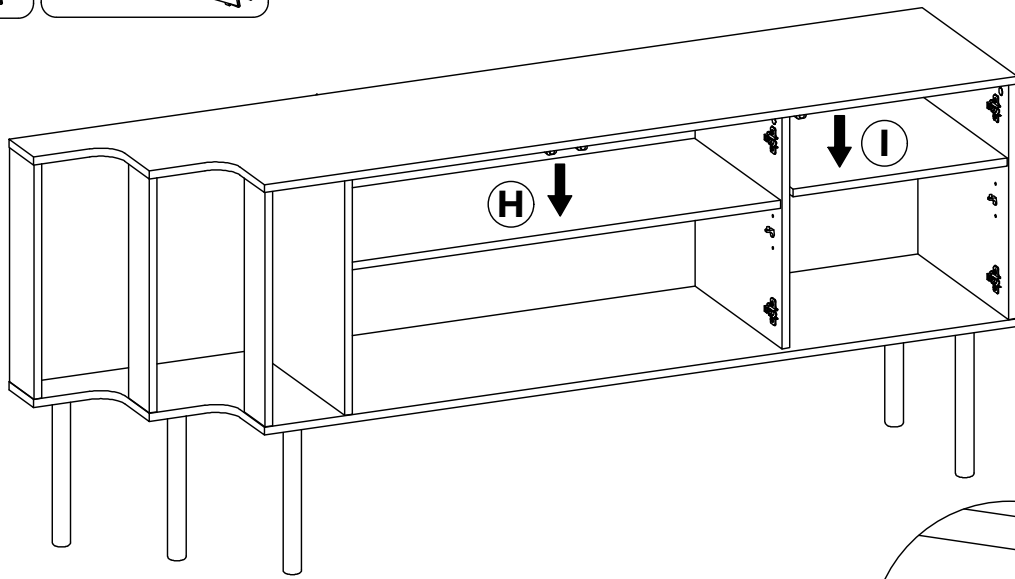
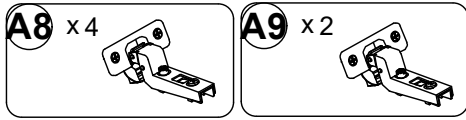
A11 x6



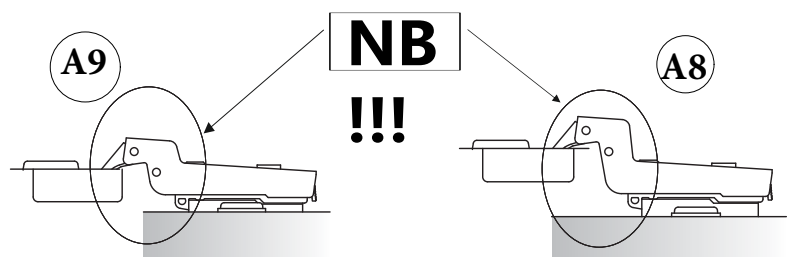
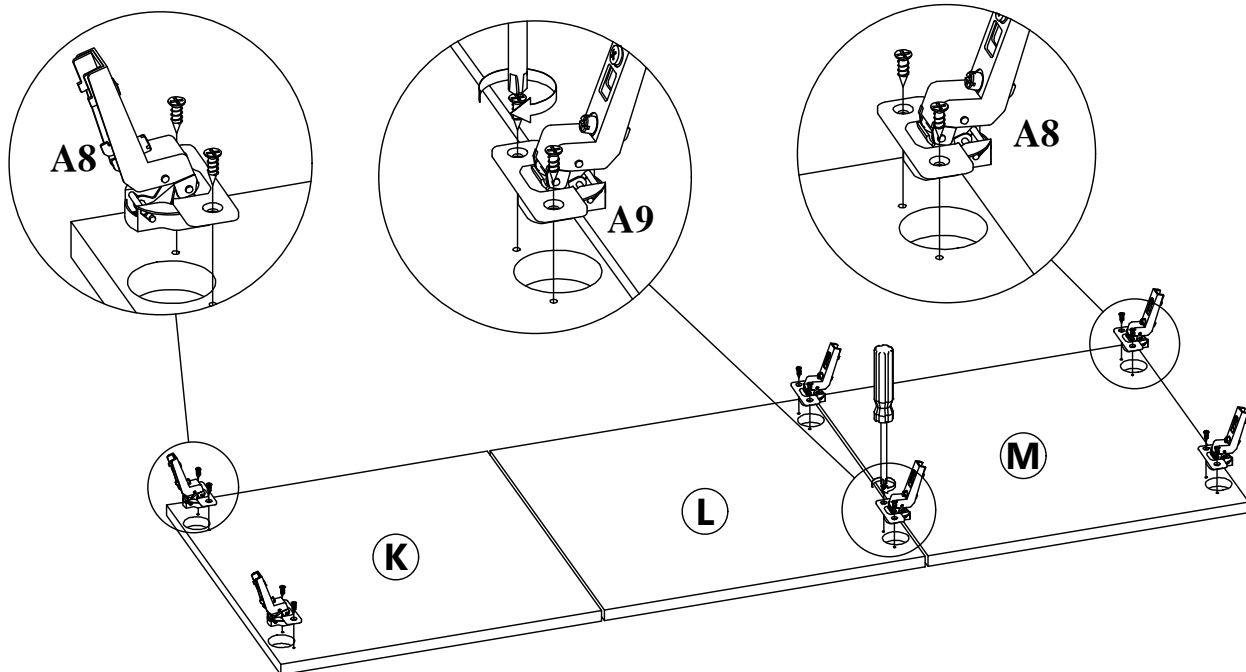
Assembly instructions, 8



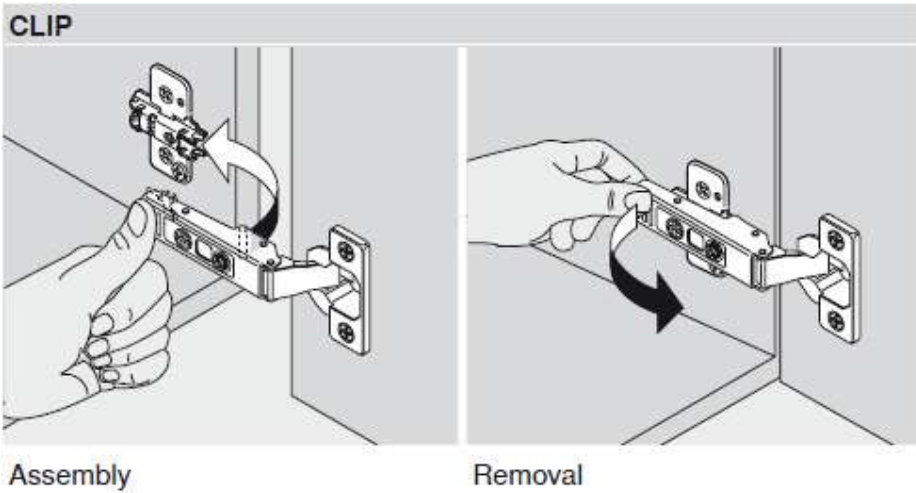
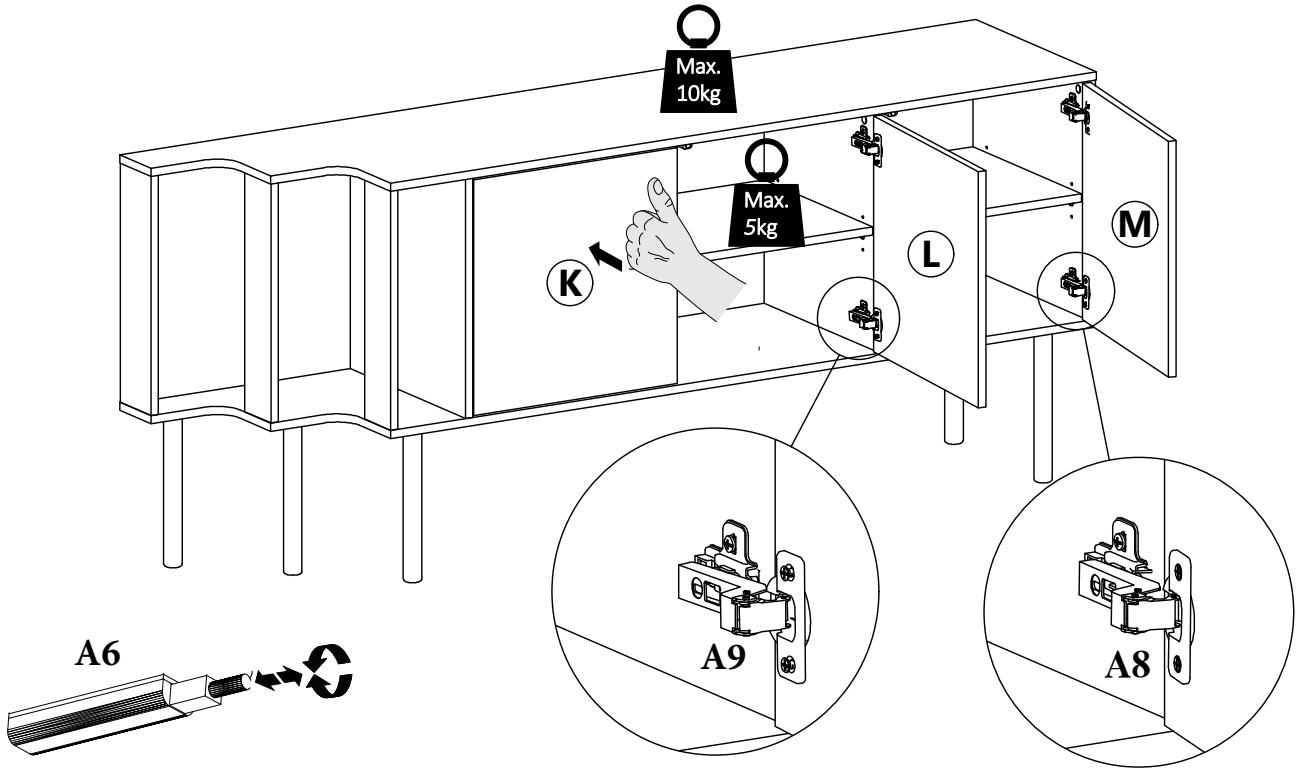
Assembly instructions, 8



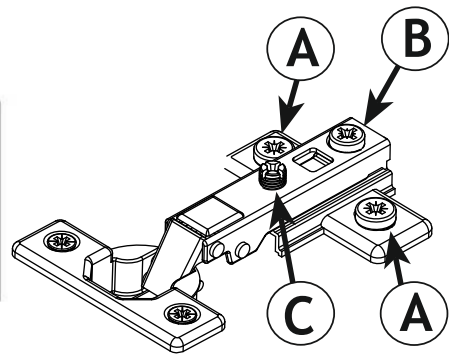
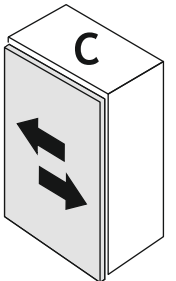
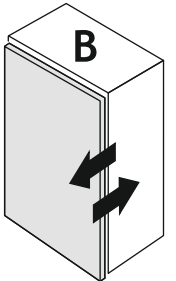
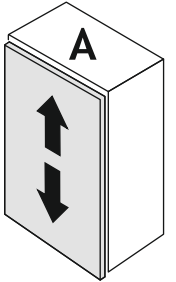
Assembly instructions, 9



Assembly instructions, 10



If necessary door position and line can be adjusted by adjusting the hinges !



Safety and Care Advice

General care and maintenance

Only clean using a damp cloth and mild detergent, do not use bleach or abrasive cleaners.

From time to time check that there are no loose screws on this unit.

This product should not be discarded with household waste. Take to your local authority waste disposal centre.

Cleaning and care of lacquered surfaces

Regular dusting with a dry cloth will keep your units clean.

Clean marks with a damp cloth.

Do not use abrasive cleaners.

Do not clean with products containing following:

Acetone (e.g. nail varnish remover). Ammonia (e.g. bleach) or Sodium hydroxid (e.g. Caustic soda, drain and oven cleaners) .

To remove stubborn stain, wipe over with damp cloth and washing up liquid.

In the event of accidental contact with aggressive cleaners, rinse thoroughly with water. Use place mats to protect the surface from moisture and heat.

Maximum weight limit

Important: Recommended maximum load for each shelf is shown below.