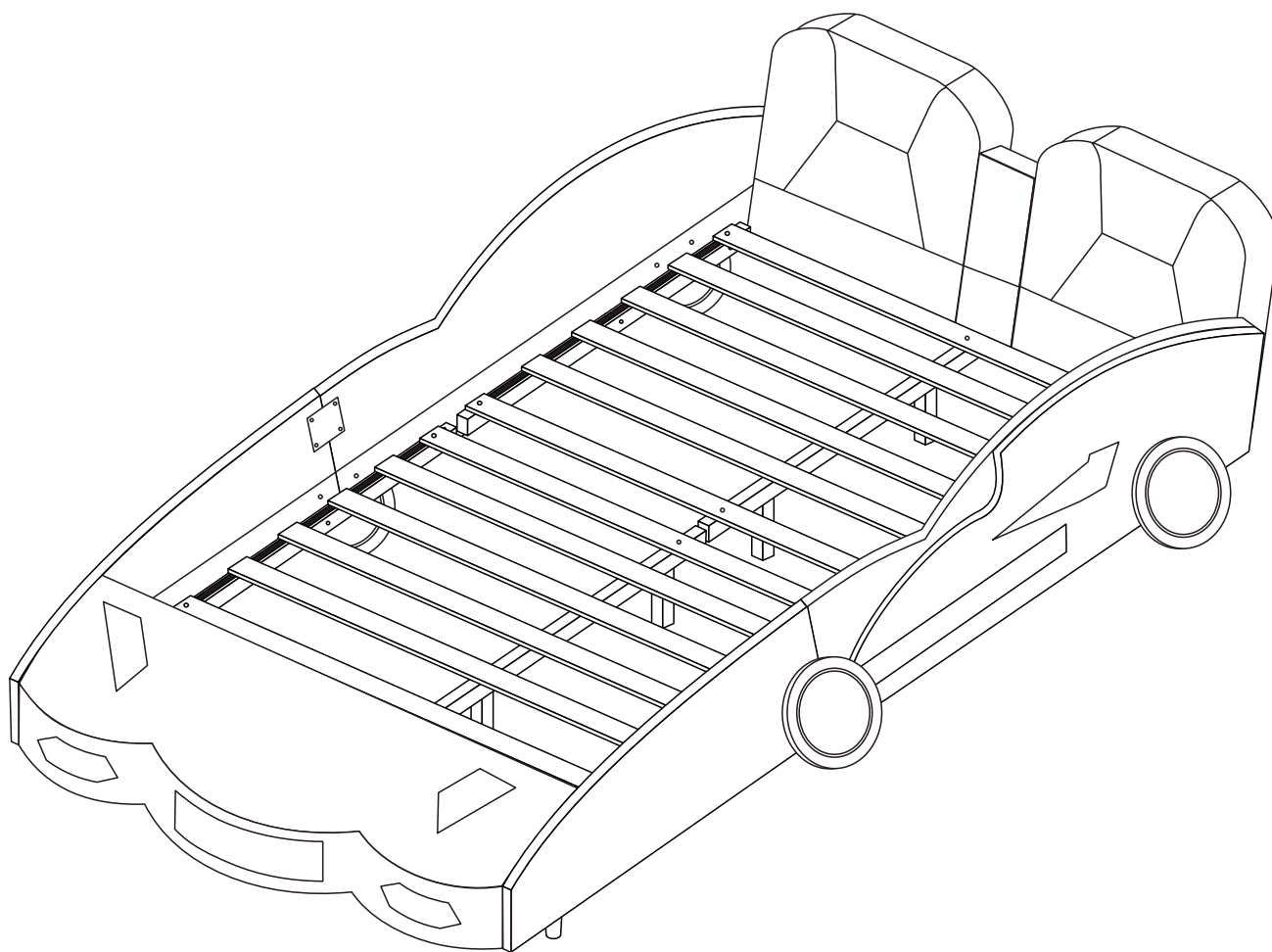
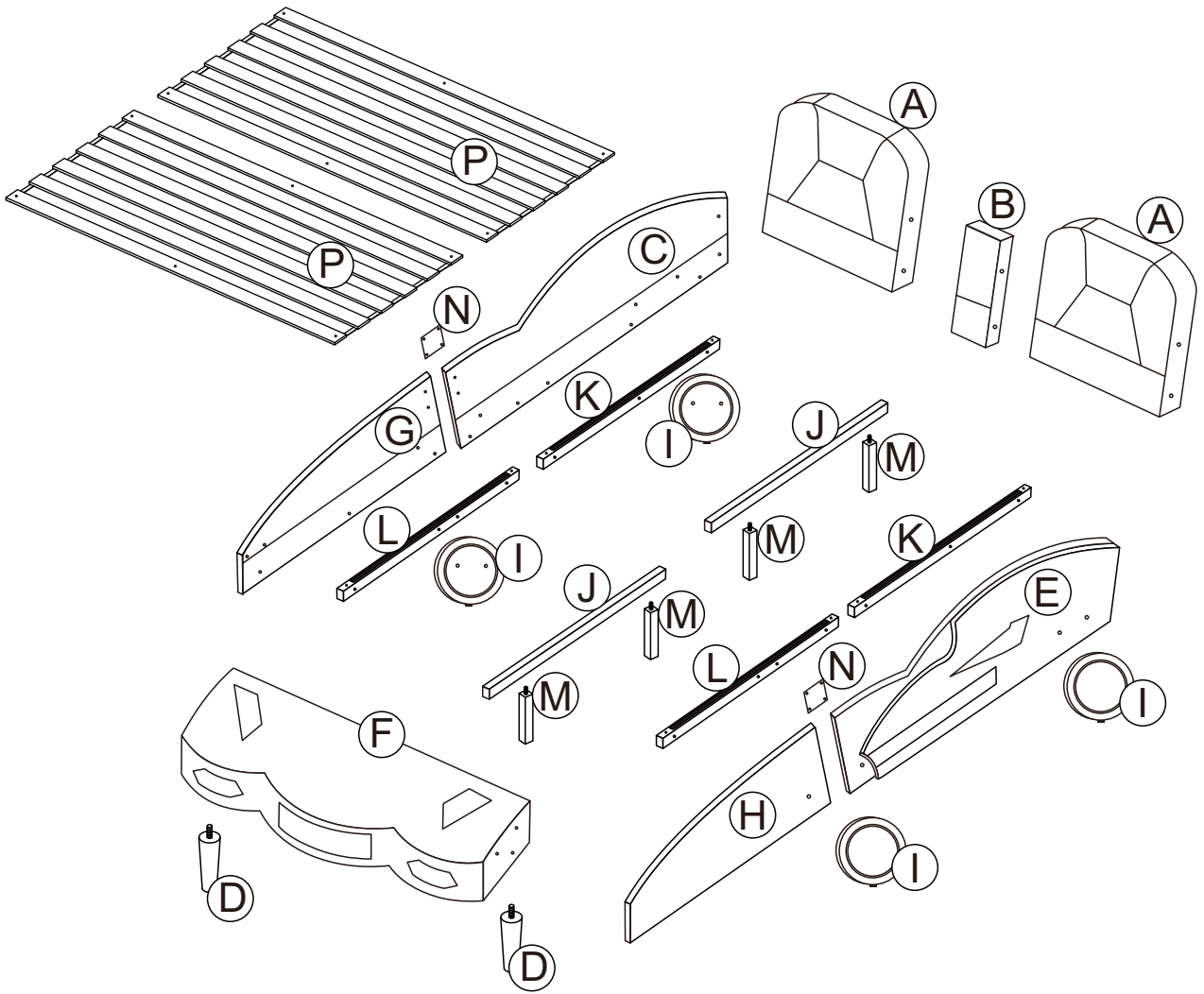


Assembly Instruction

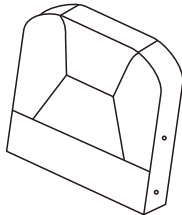


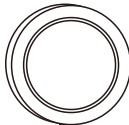
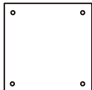

SKU: WF311503/WF311504/WF311505




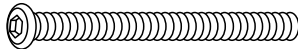

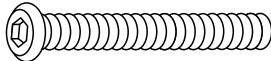






BED FRAME



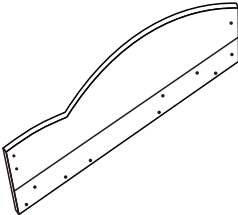
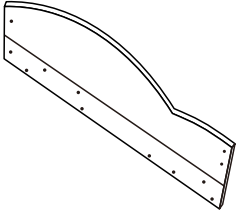
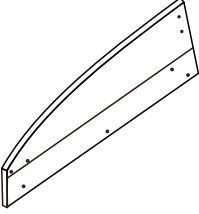
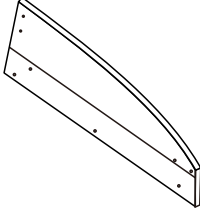
Parts List for WF311503

<p>A</p>  <div style="text-align: right; border: 1px solid black; padding: 2px; width: fit-content; margin-left: auto;">2PCS</div>	<p>B</p>  <div style="text-align: right; border: 1px solid black; padding: 2px; width: fit-content; margin-left: auto;">1PC</div>
<p>D</p>  <div style="text-align: right; border: 1px solid black; padding: 2px; width: fit-content; margin-left: auto;">2PCS</div>	<p>I</p>  <div style="text-align: right; border: 1px solid black; padding: 2px; width: fit-content; margin-left: auto;">4PCS</div>
<p>N</p>  <div style="text-align: right; border: 1px solid black; padding: 2px; width: fit-content; margin-left: auto;">2PCS</div>	<p>M</p>  <div style="text-align: right; border: 1px solid black; padding: 2px; width: fit-content; margin-left: auto;">4PCS</div>

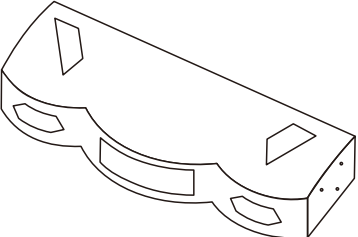
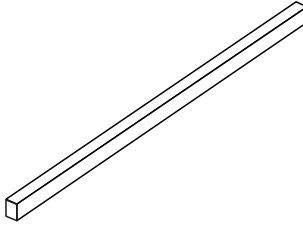
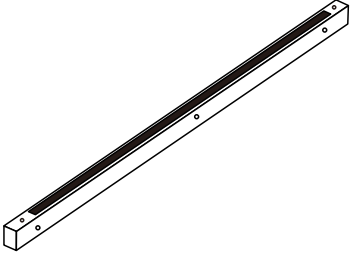
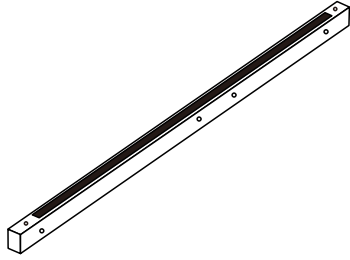
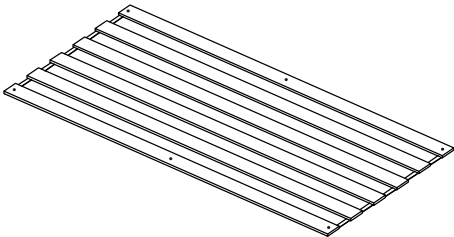
Hardware List for WF311503

<p>①</p>  <p style="text-align: center;">M6*30mm</p> <div style="text-align: right; border: 1px solid black; padding: 2px; width: fit-content; margin-left: auto;">8PCS</div>	<p>②</p>  <p style="text-align: center;">M6*40mm</p> <div style="text-align: right; border: 1px solid black; padding: 2px; width: fit-content; margin-left: auto;">14PCS</div>
<p>③</p>  <p style="text-align: center;">M6*15mm</p> <div style="text-align: right; border: 1px solid black; padding: 2px; width: fit-content; margin-left: auto;">8PCS</div>	<p>④</p>  <p style="text-align: center;">M8*40mm</p> <div style="text-align: right; border: 1px solid black; padding: 2px; width: fit-content; margin-left: auto;">14PCS</div>
<p>⑤</p>  <p style="text-align: center;">Ø19mm</p> <div style="text-align: right; border: 1px solid black; padding: 2px; width: fit-content; margin-left: auto;">14PCS</div>	<p>⑥</p>  <p style="text-align: center;">M8</p> <div style="text-align: right; border: 1px solid black; padding: 2px; width: fit-content; margin-left: auto;">14PCS</div>
<p>⑦</p>  <p style="text-align: center;">Ø16mm</p> <div style="text-align: right; border: 1px solid black; padding: 2px; width: fit-content; margin-left: auto;">8PCS</div>	<p>⑧</p>  <p style="text-align: center;">M4*25mm</p> <div style="text-align: right; border: 1px solid black; padding: 2px; width: fit-content; margin-left: auto;">12PCS</div>
<p>⑨</p>  <p style="text-align: center;">M5</p> <div style="text-align: right; border: 1px solid black; padding: 2px; width: fit-content; margin-left: auto;">1PC</div>	<p>⑩</p>  <p style="text-align: center;">M4</p> <div style="text-align: right; border: 1px solid black; padding: 2px; width: fit-content; margin-left: auto;">1PC</div>

Parts List for WF311504

C  1PC	E  1PC
G  1PC	H  1PC

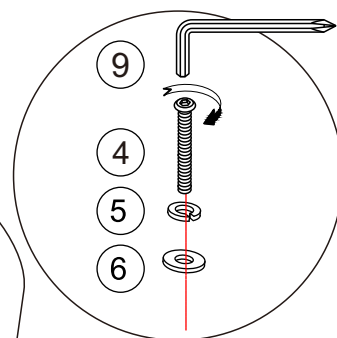
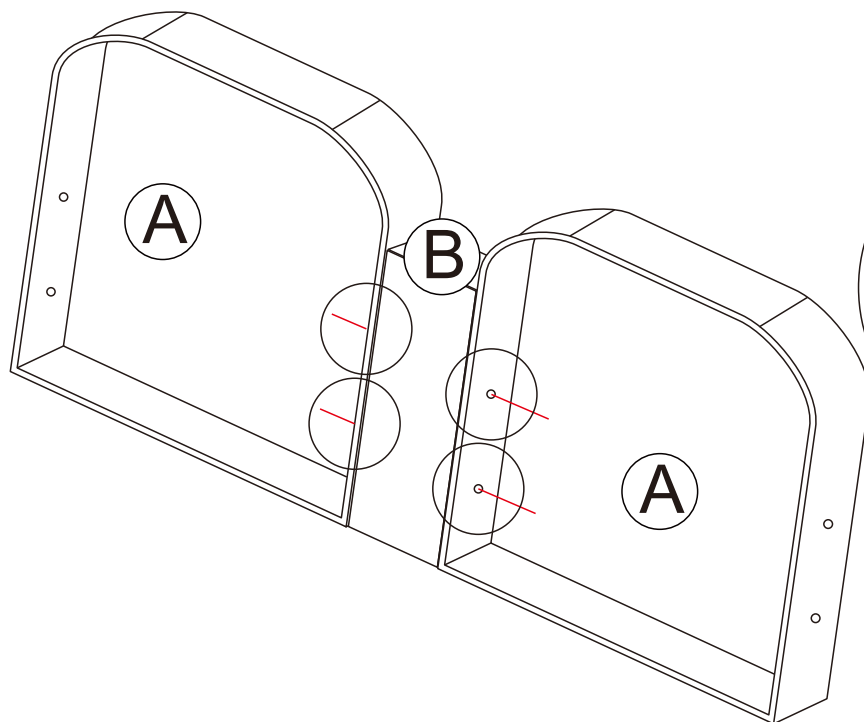
Parts List for WF311505





F  1PC	J  2PCS
K  2PCS	L  2PCS
P  2PCS	

Installation Steps

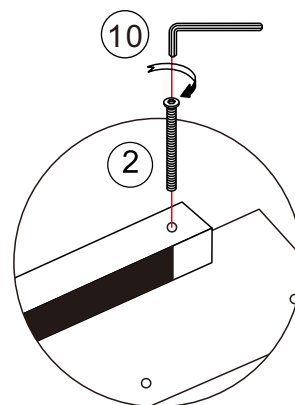
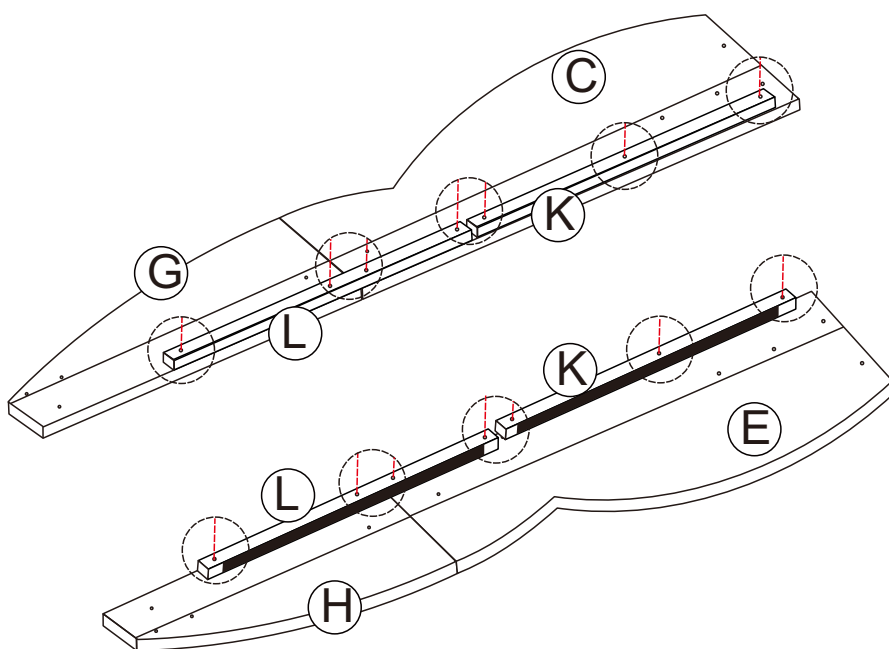
Before your installation, please make sure that you have all the parts listed in the manual. If you find something missing please do not hesitate in contacting us.



1



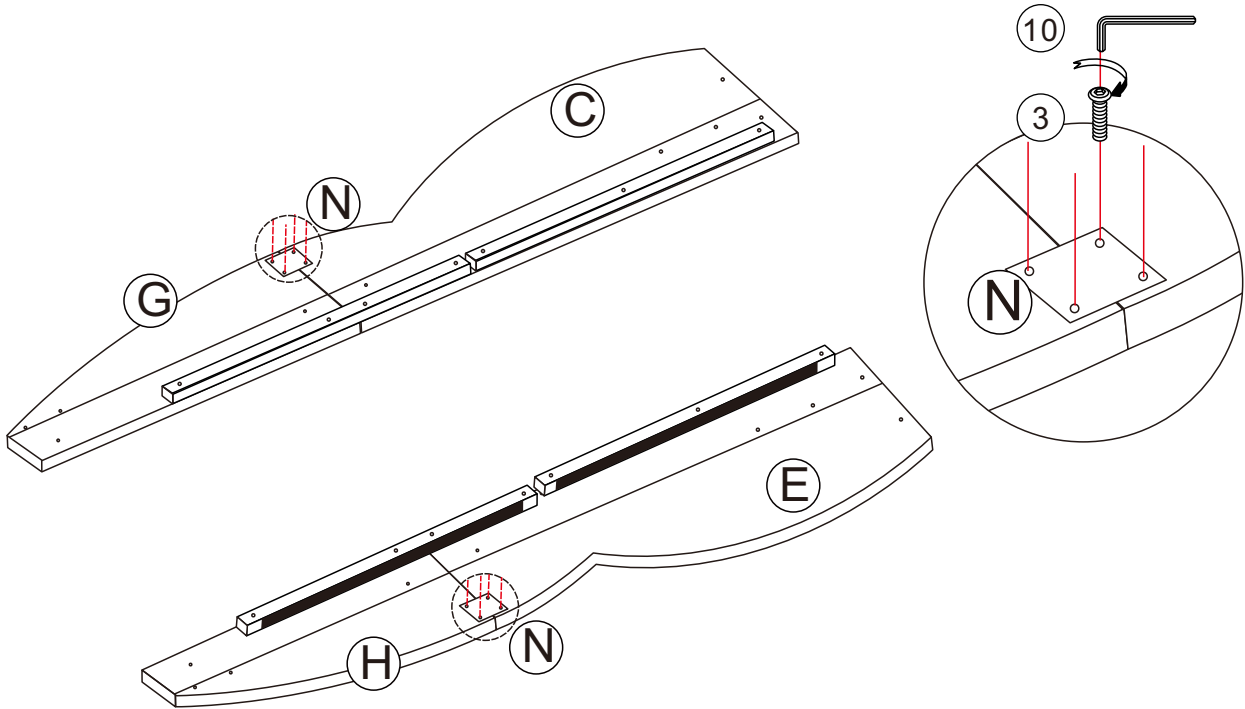
	4 x 4PCS
	5 x 4PCS
	6 x 4PCS
	9 x 1PC



2



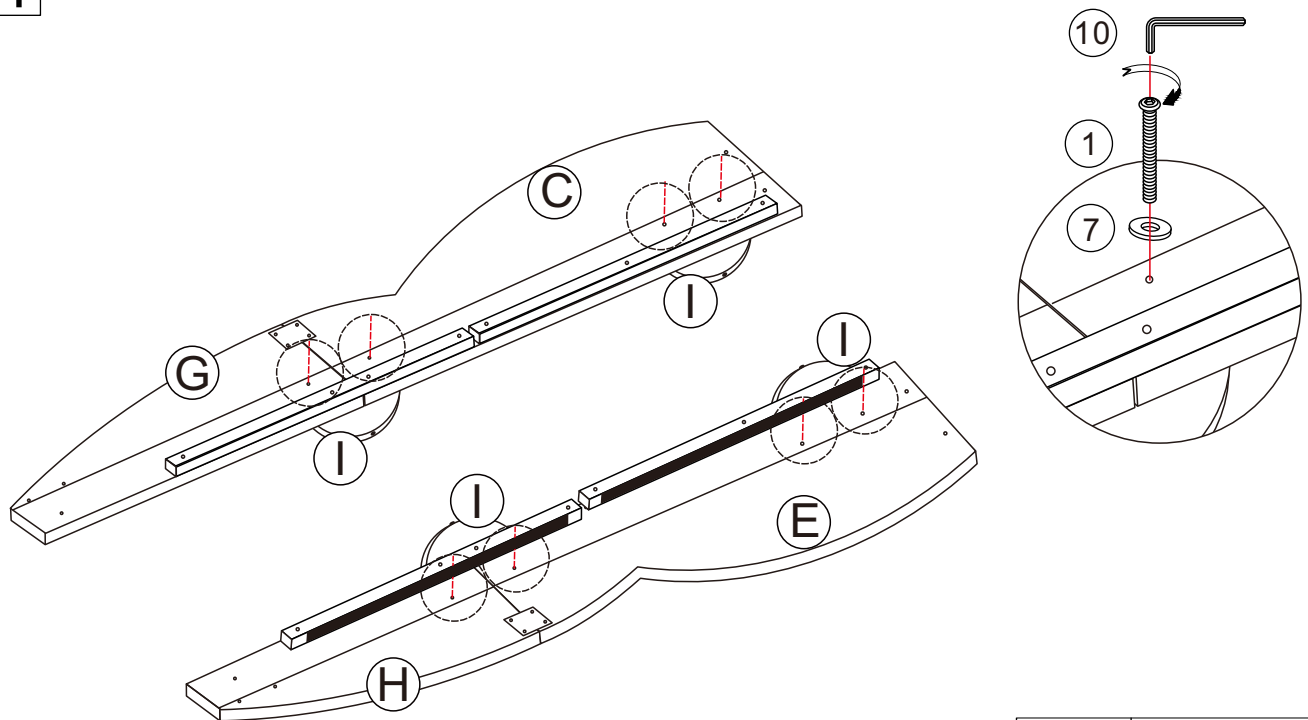
	2 x 14PCS
	10 x 1PC




3



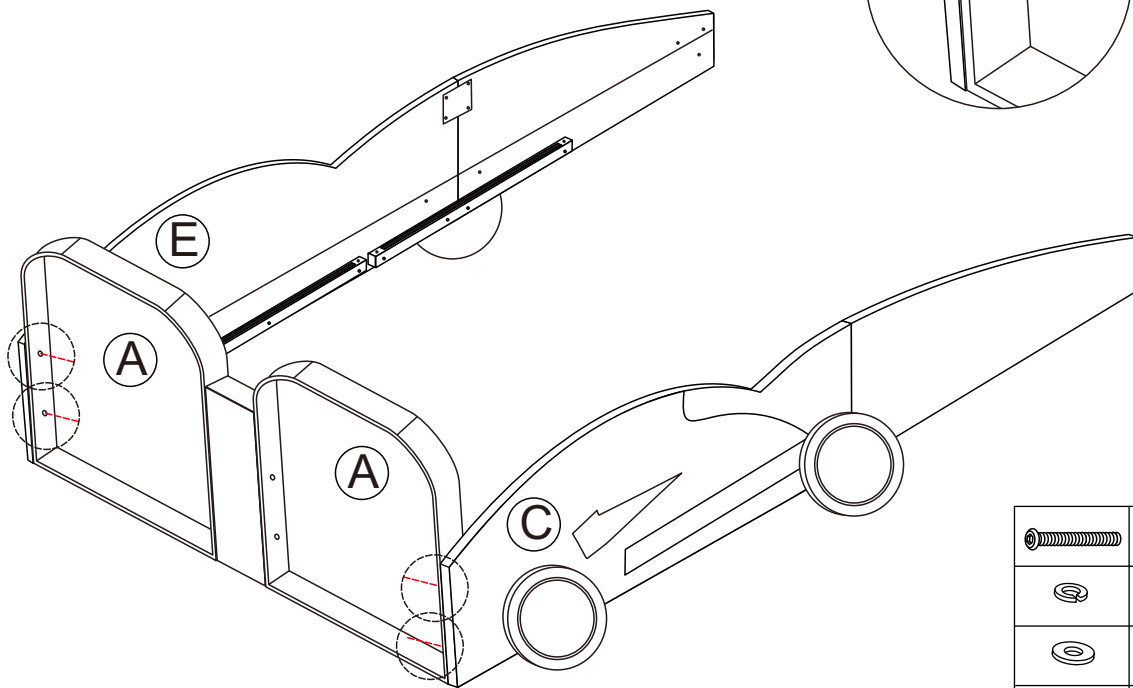
	3 x 8PCS
	10 x 1PC





4



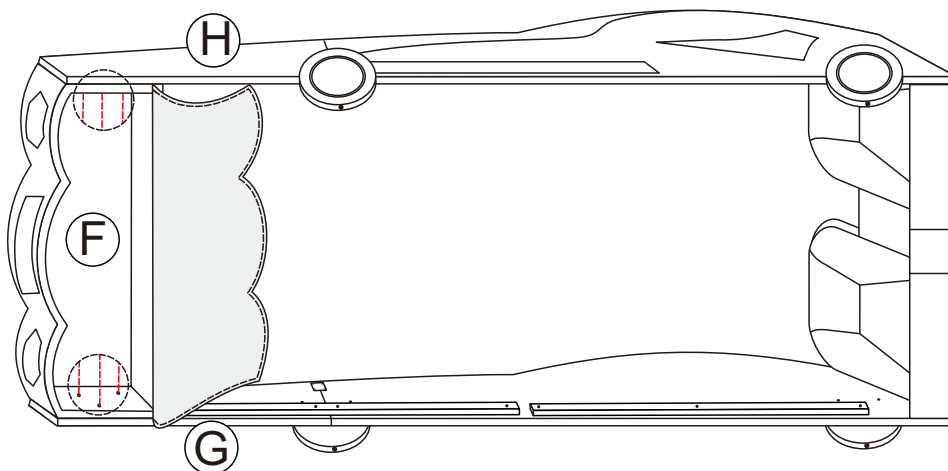
	1 x 8PCS
	7 x 8PCS
	10 x 1PC





5



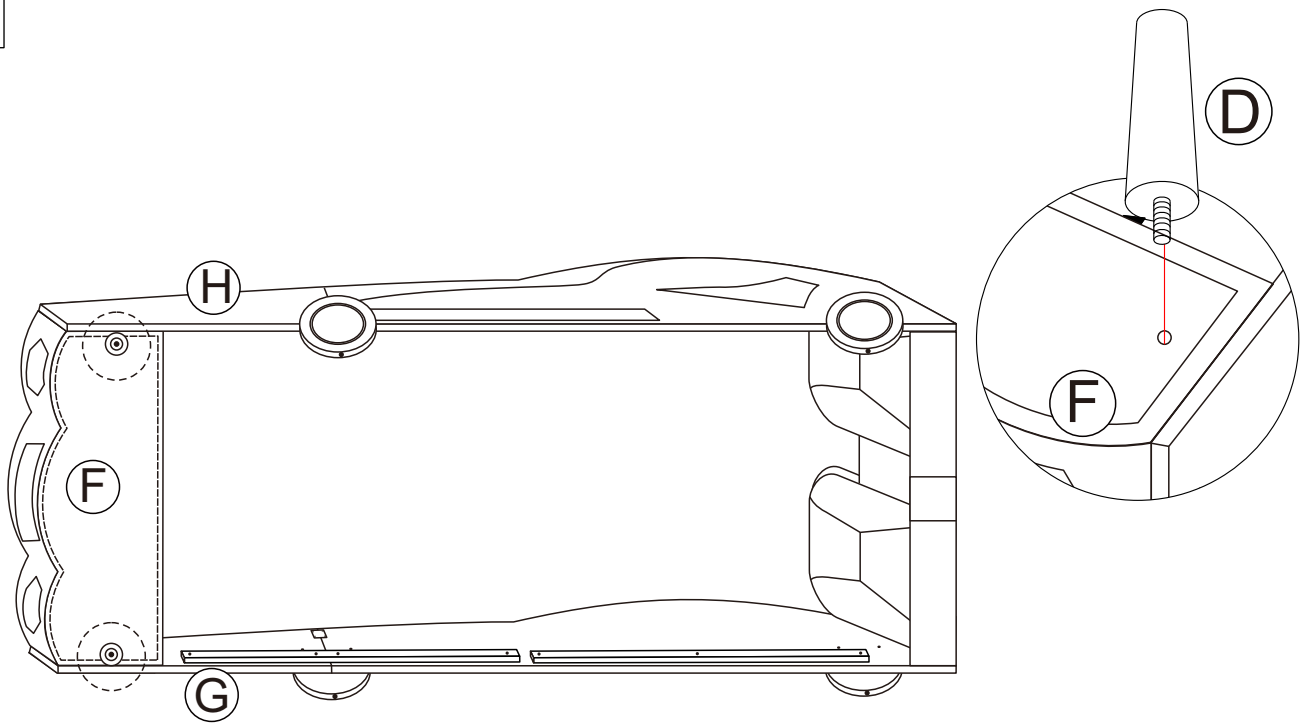
	4 x 4PCS
	5 x 4PCS
	6 x 4PCS
	9 x 1PC

6



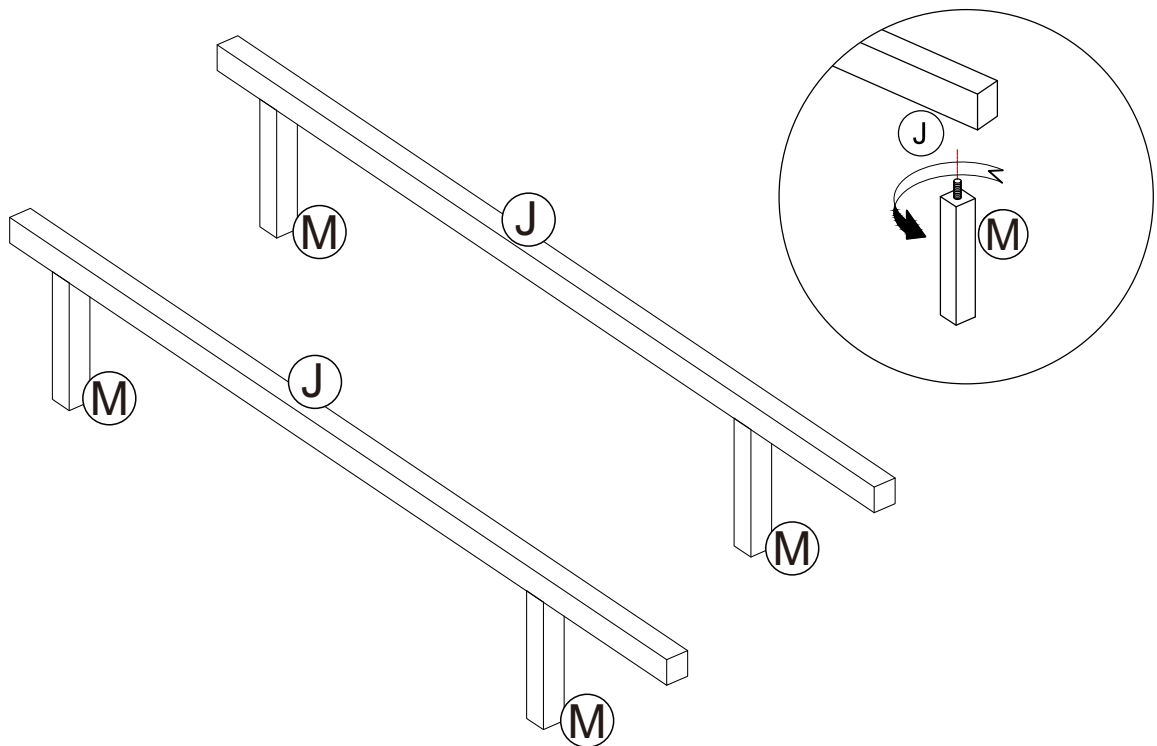
	4 x 6PCS
	5 x 6PCS
	6 x 6PCS
	9 x 1PC

7



8

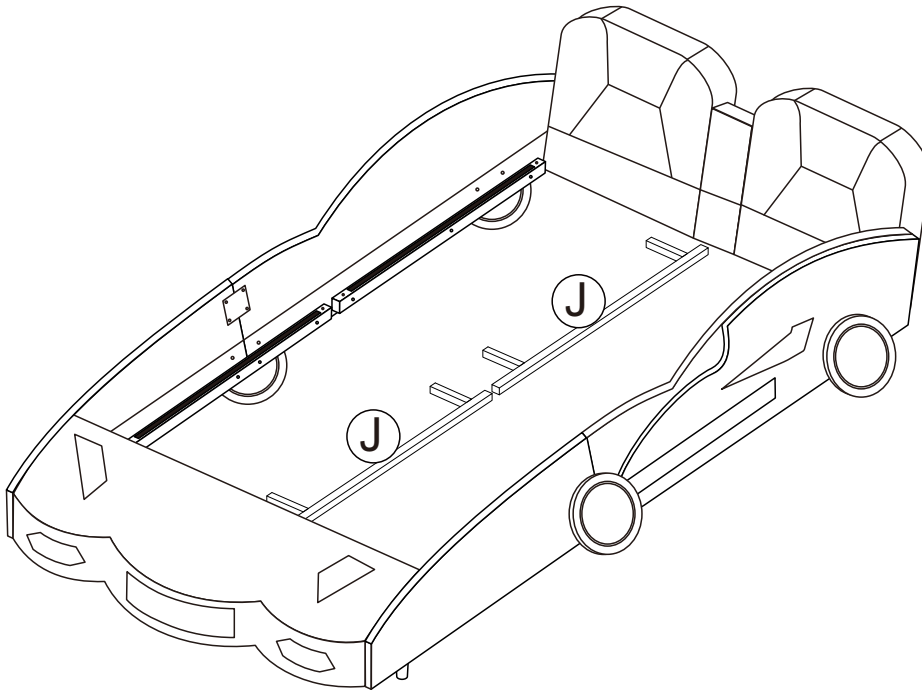
TIP:
The position of the black label should face up as the picture shown.



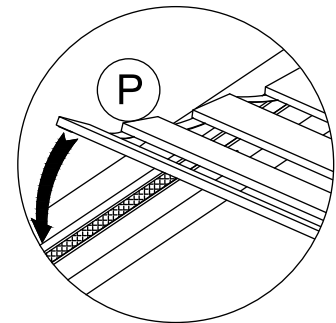
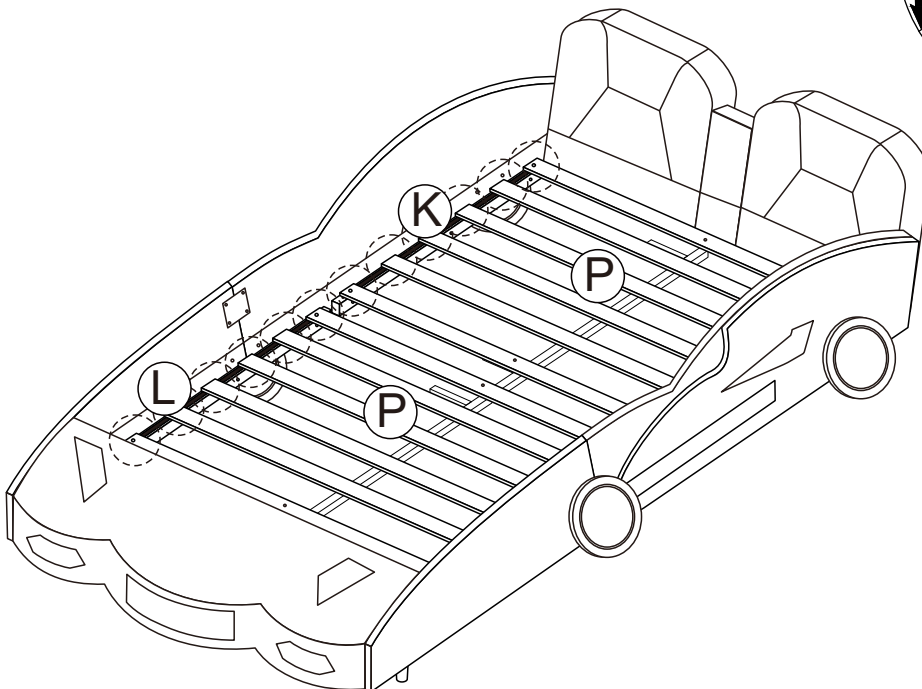
9

TIP:

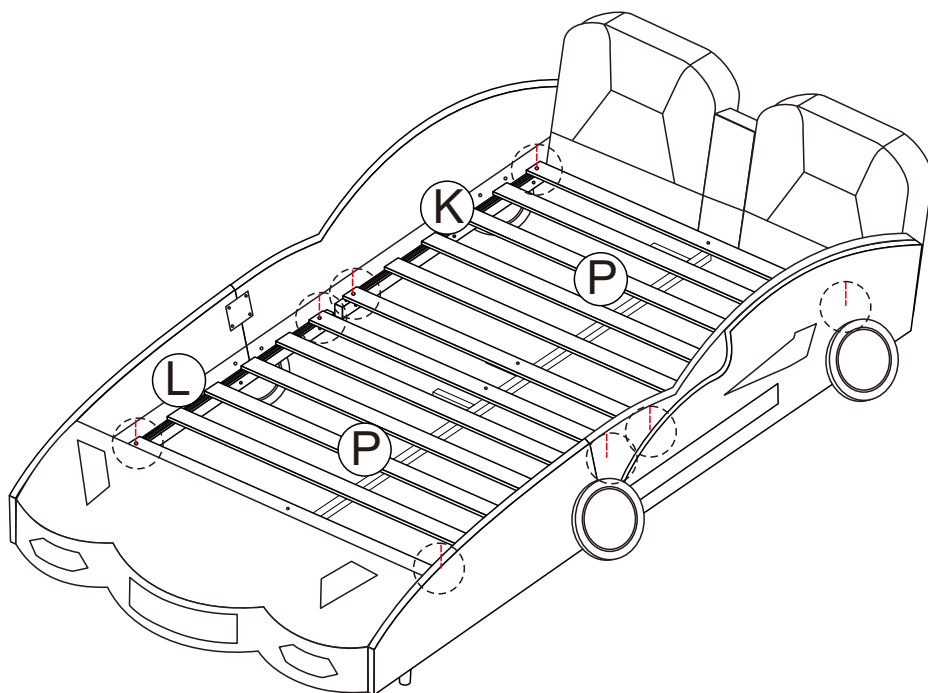
Lay down the part "J" in the bed as the picture shown.





10



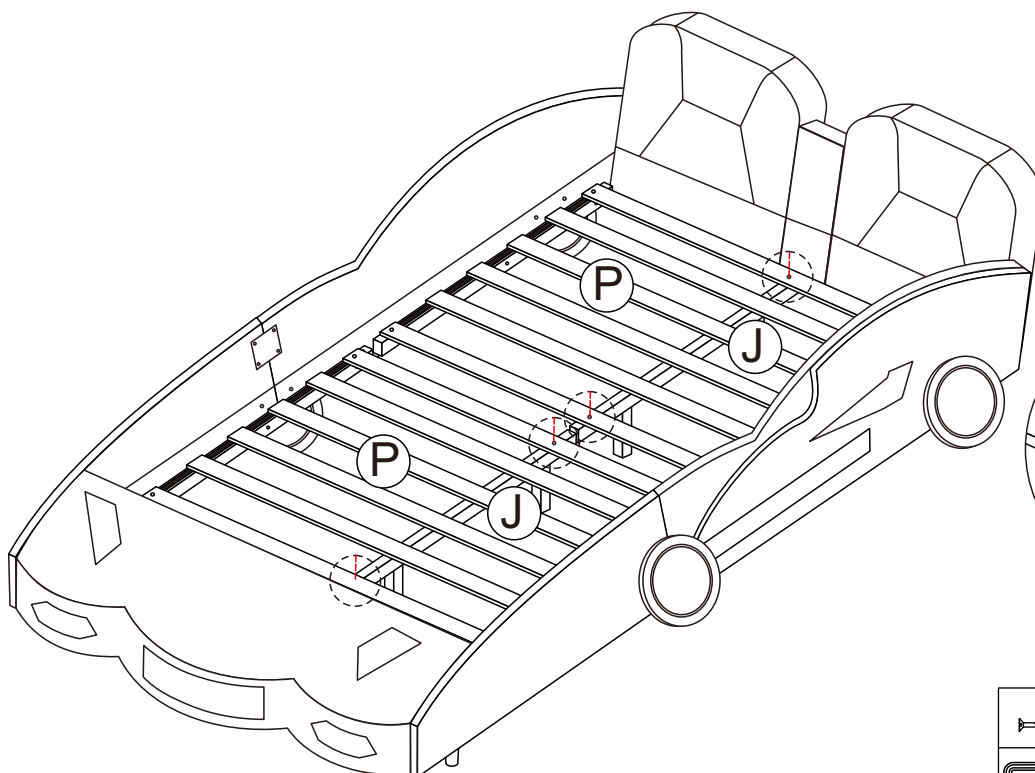
11





	8 x 8PCS
	9 x 1PC

12

TIP:
Make part "J" stand up and then lock the screws as the picture shown.



	8 x 4PCS
	9 x 1PC

