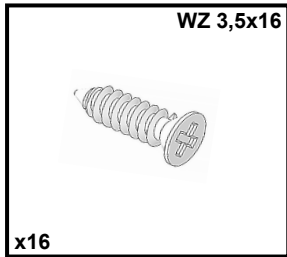
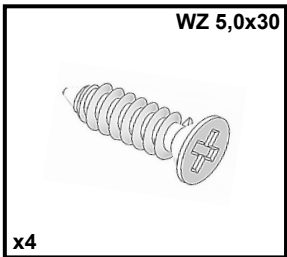
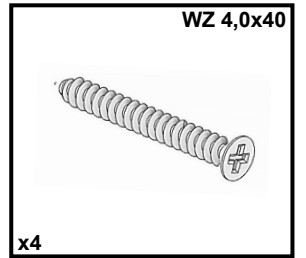
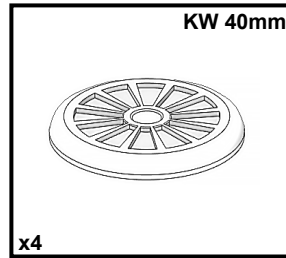
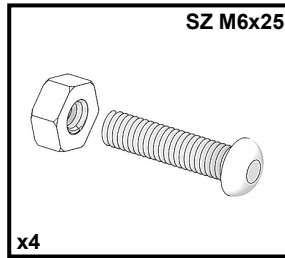
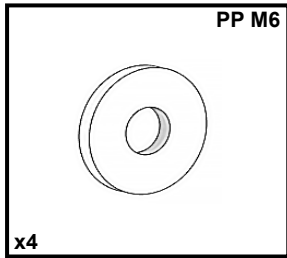
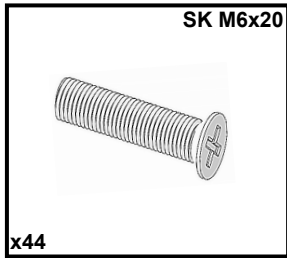
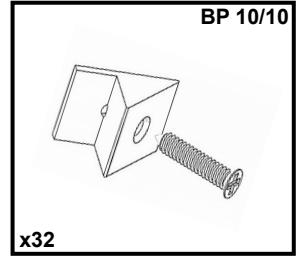
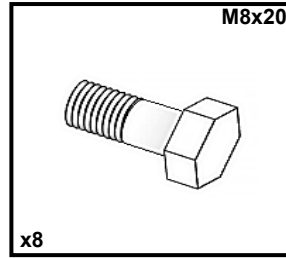
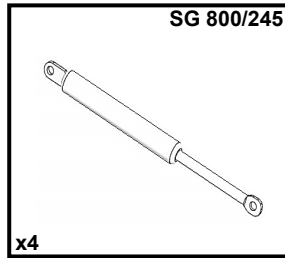
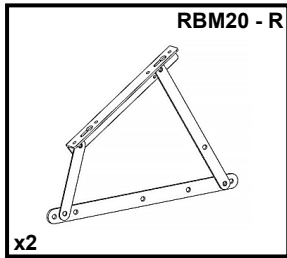
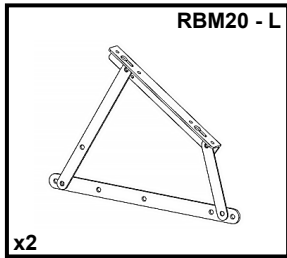
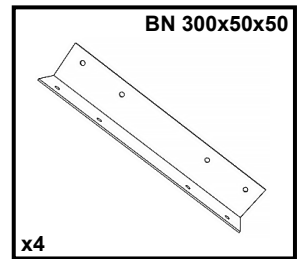
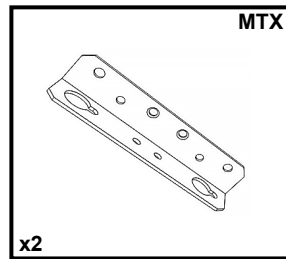
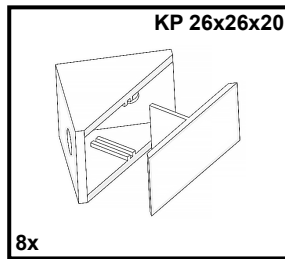
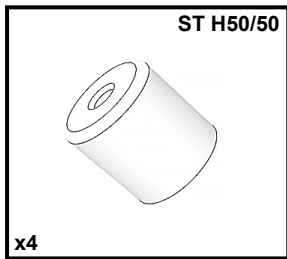
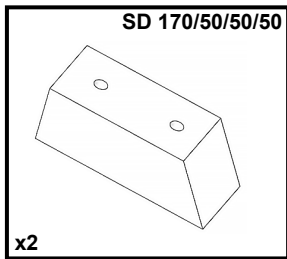
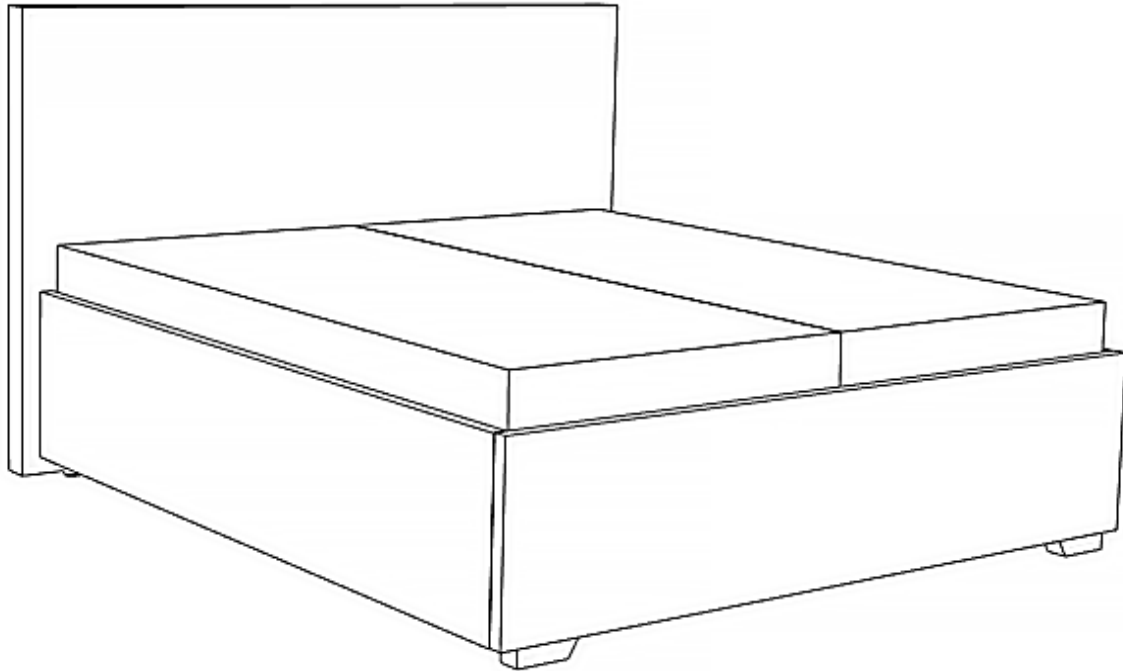
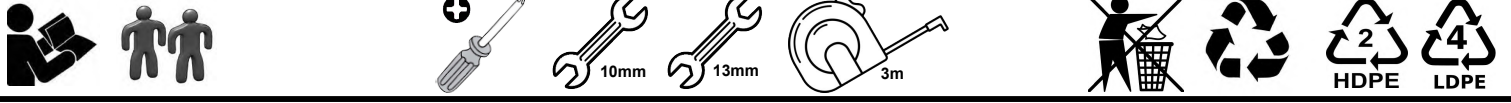


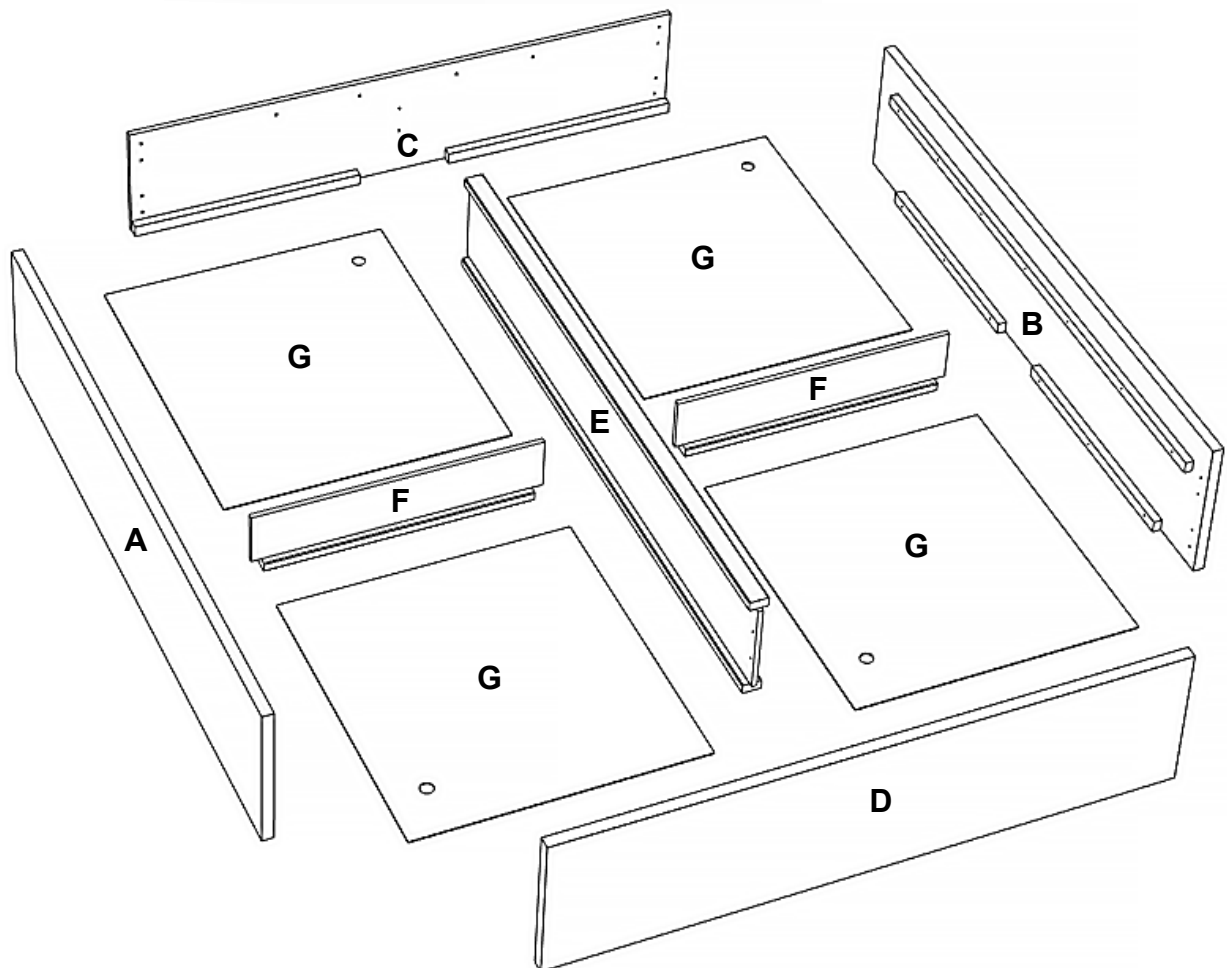
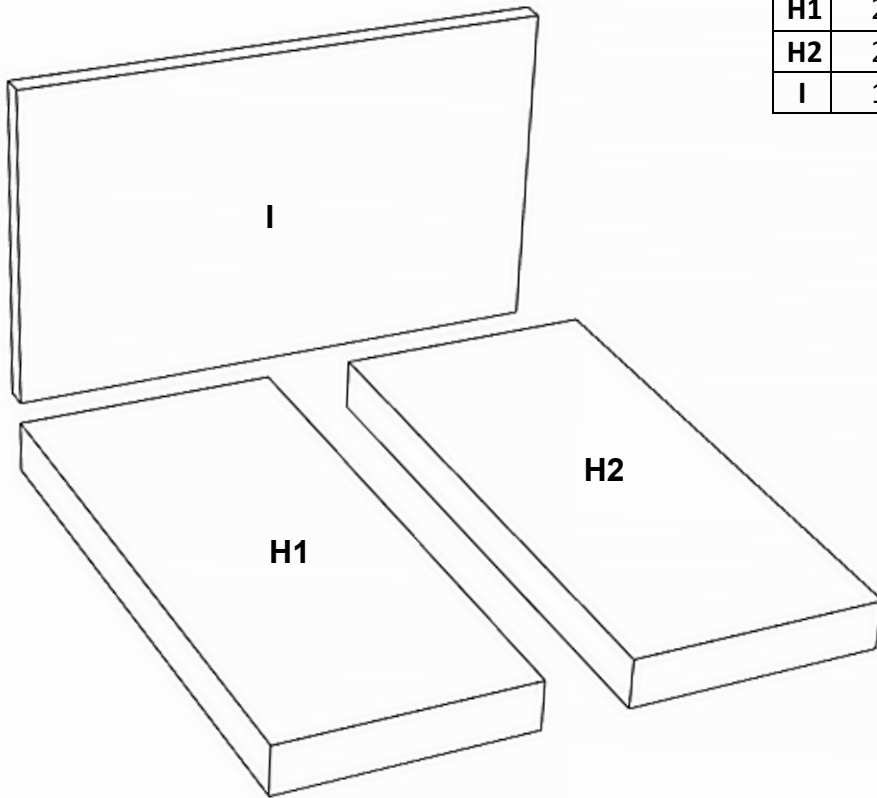
# ARTOS/PORTOS/ATHEN oT 160/180

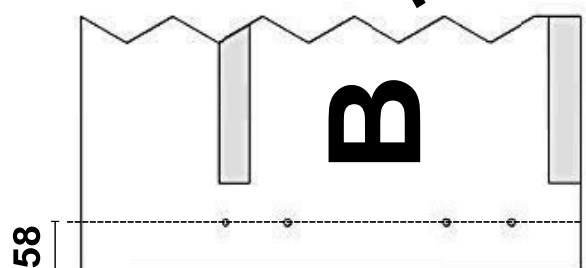
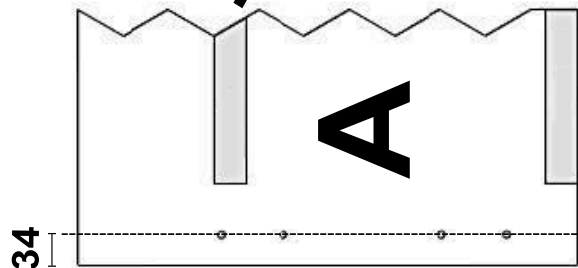
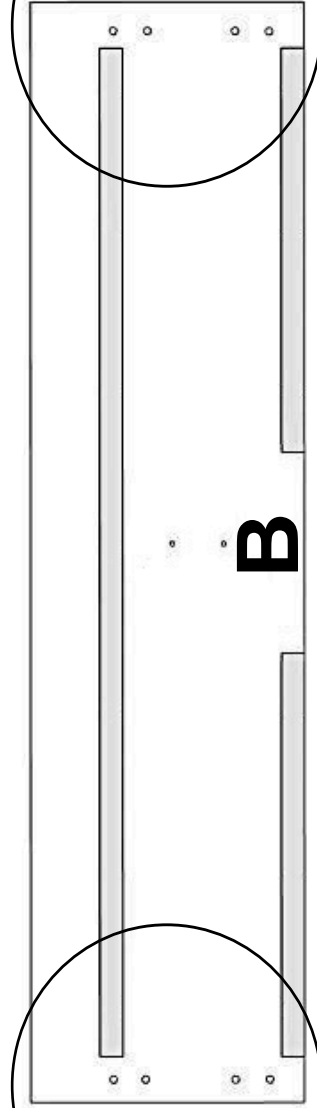
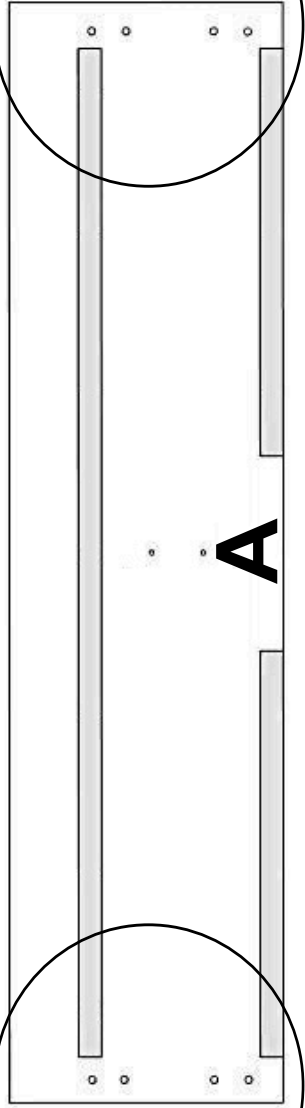
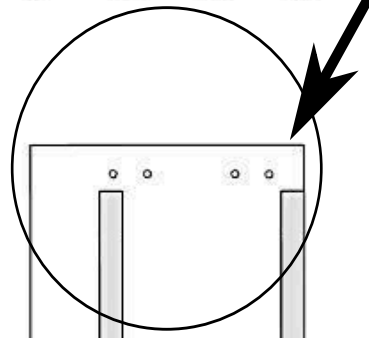
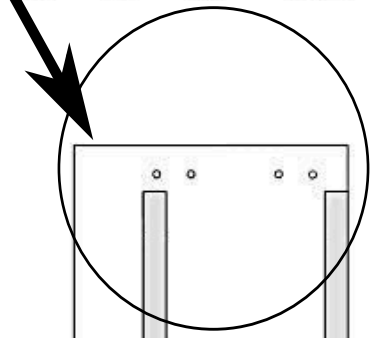
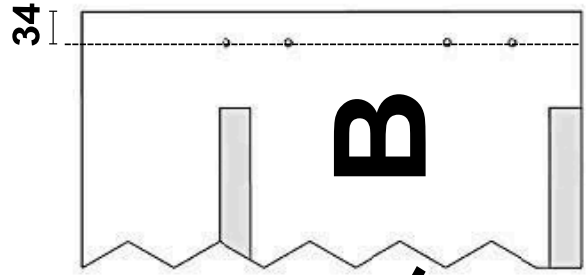
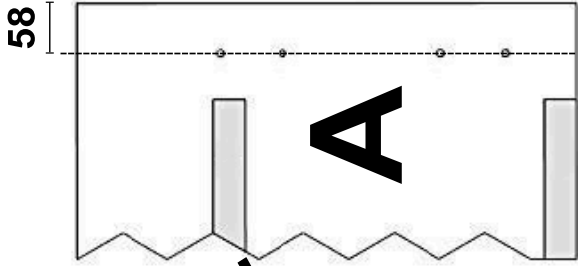
27012024

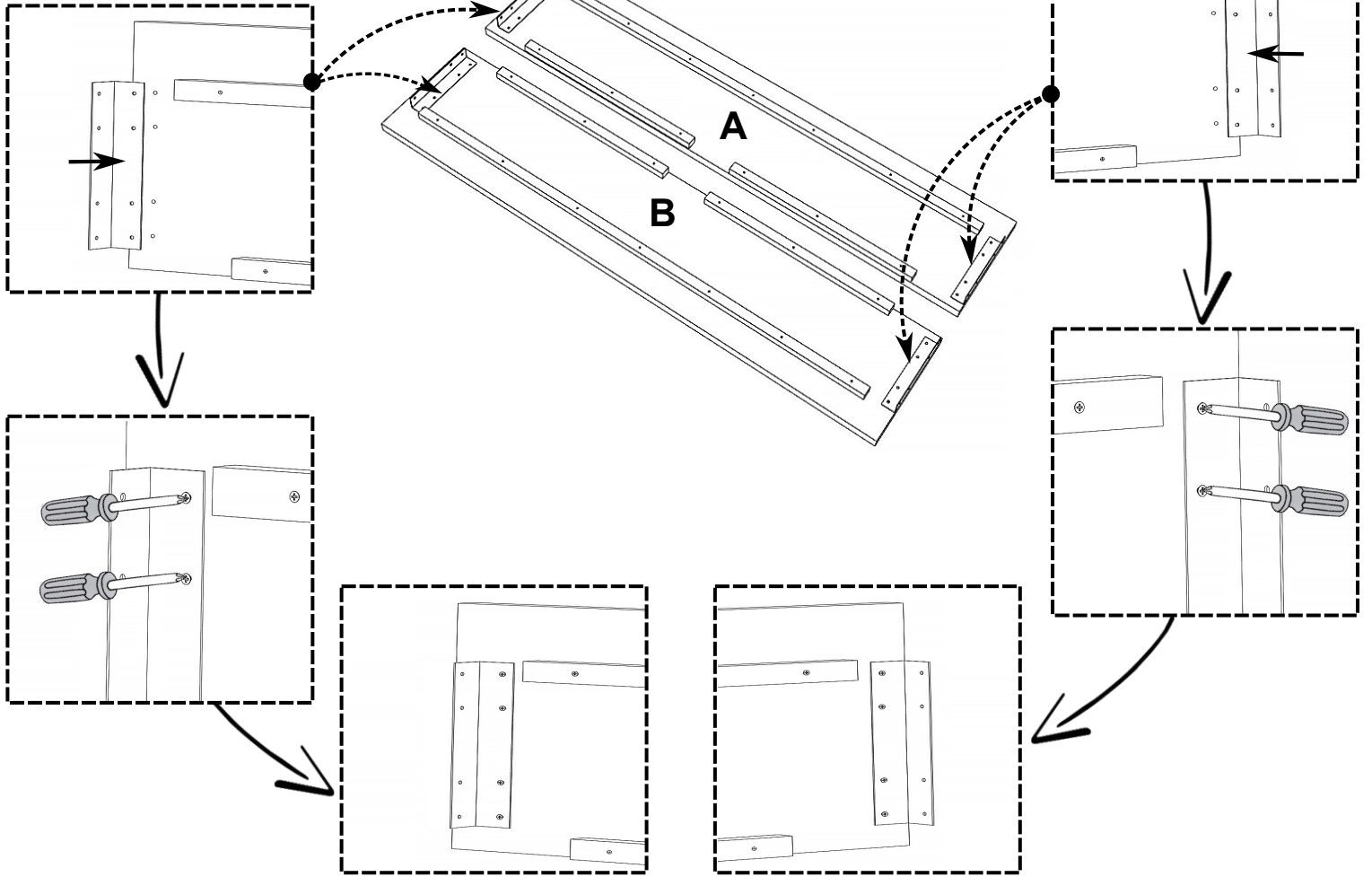
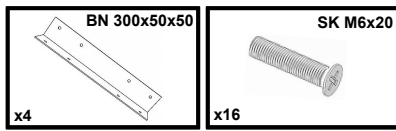
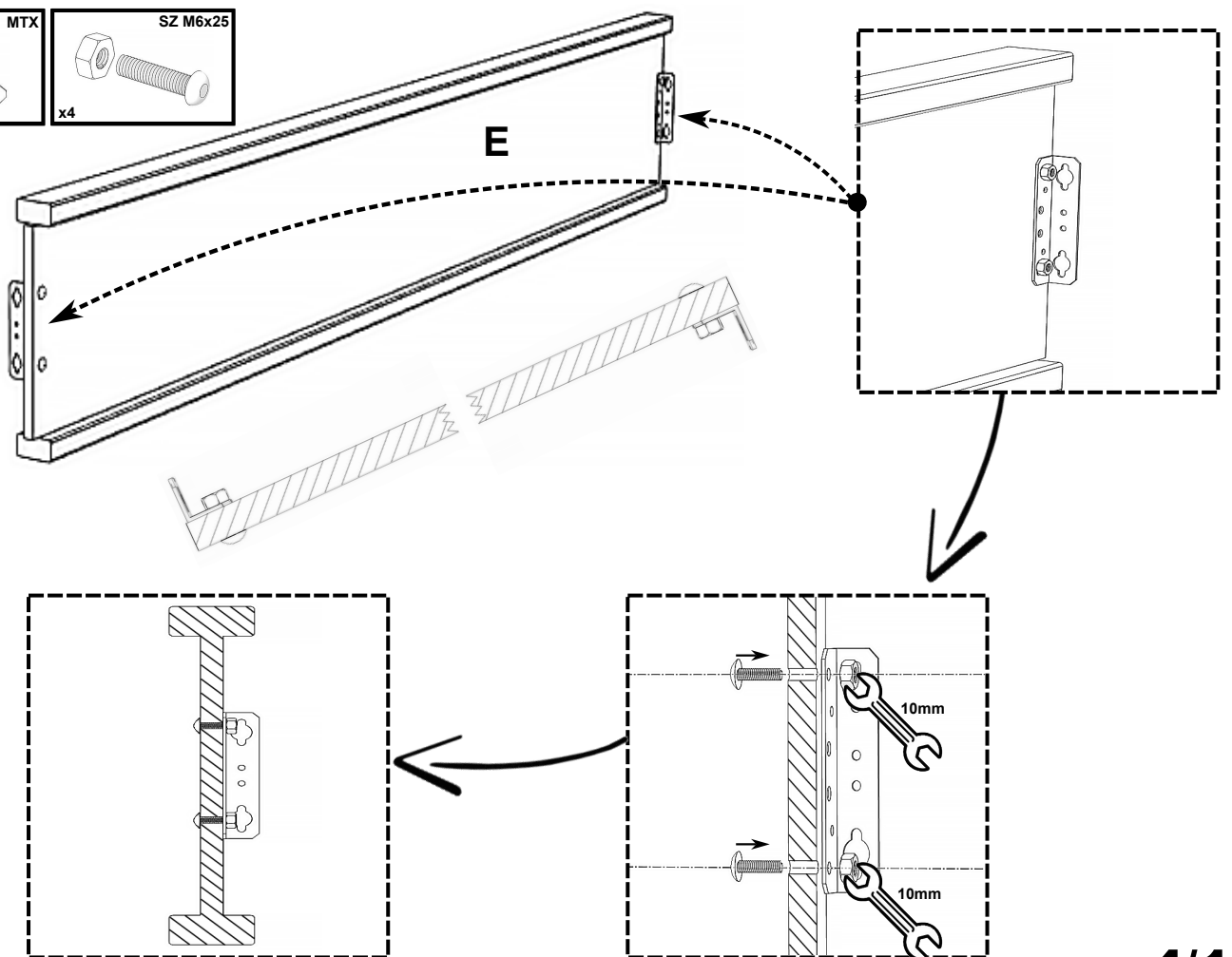
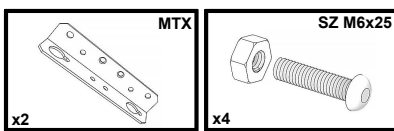


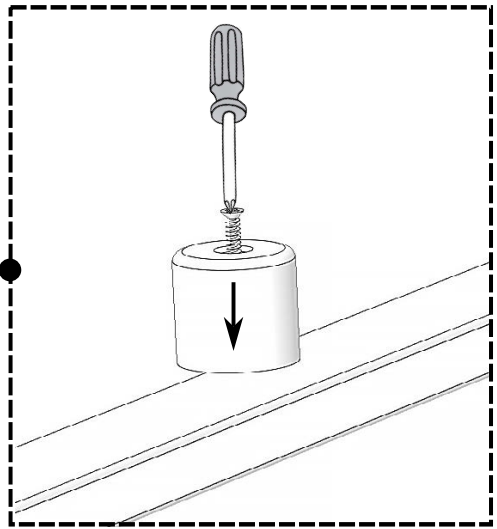
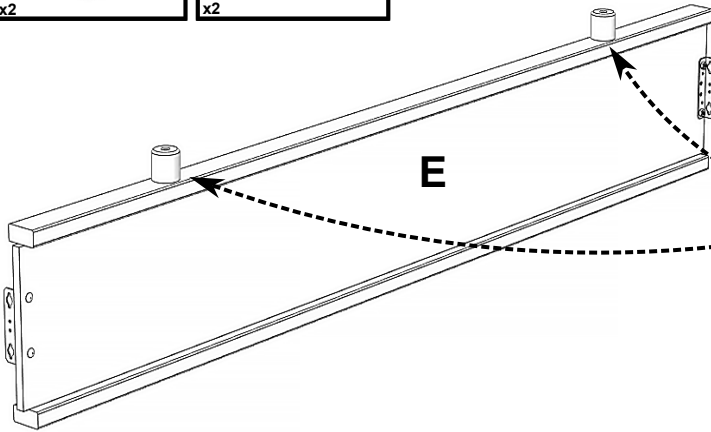
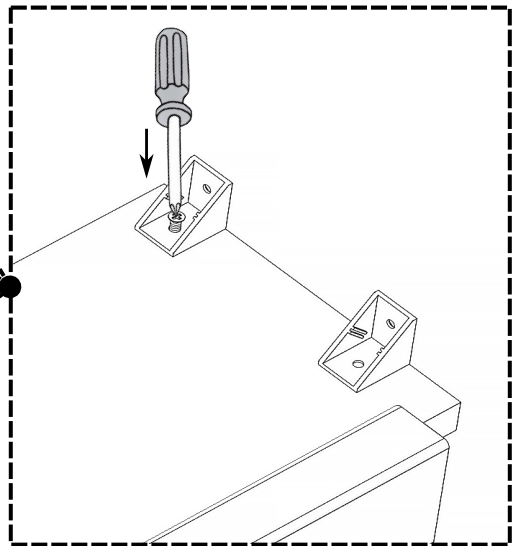
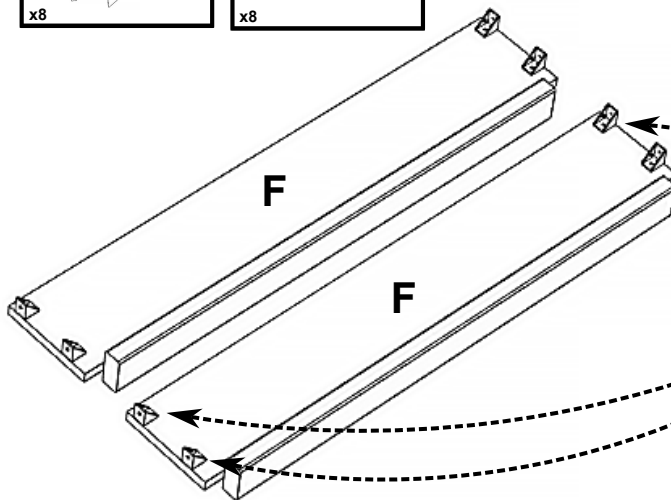
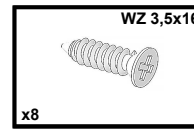
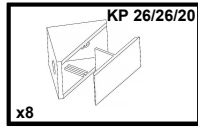
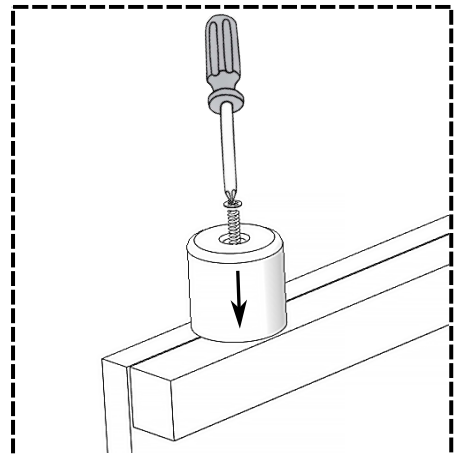
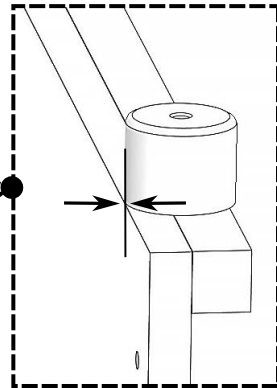
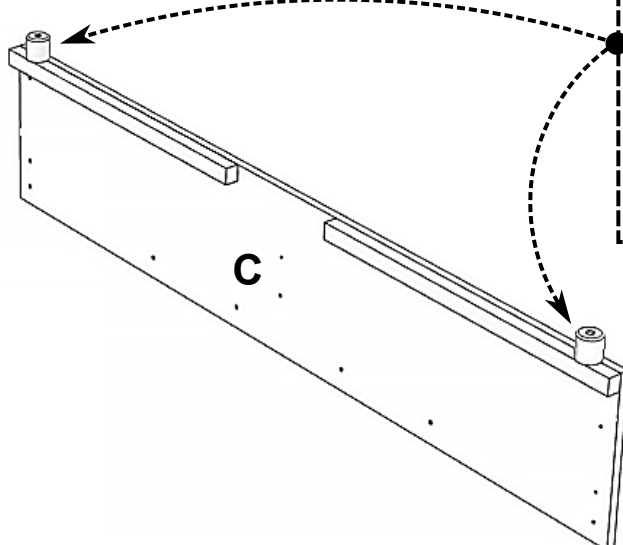
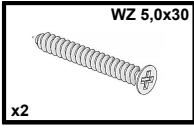
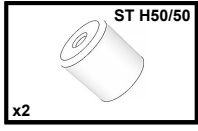
<b>PACK 1</b>	<b>A, B, E</b>
<b>PACK 2</b>	<b>C, D, 2xF</b>
<b>PACK 3</b>	<b>4xG, I</b>
<b>PACK 4</b>	<b>H1, H2</b>
<b>PACK 5</b>	<b>ACCESSORIES</b>

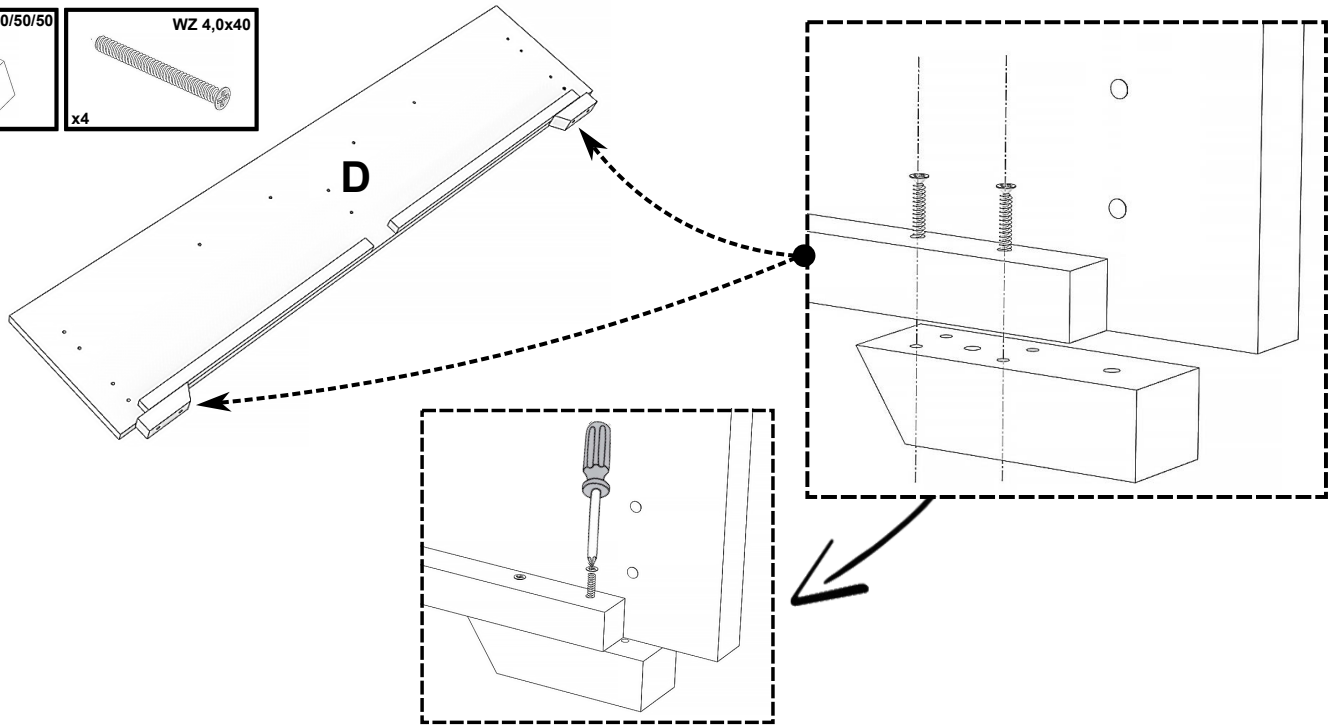
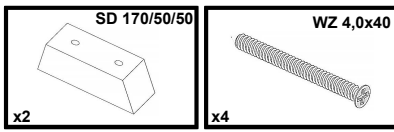
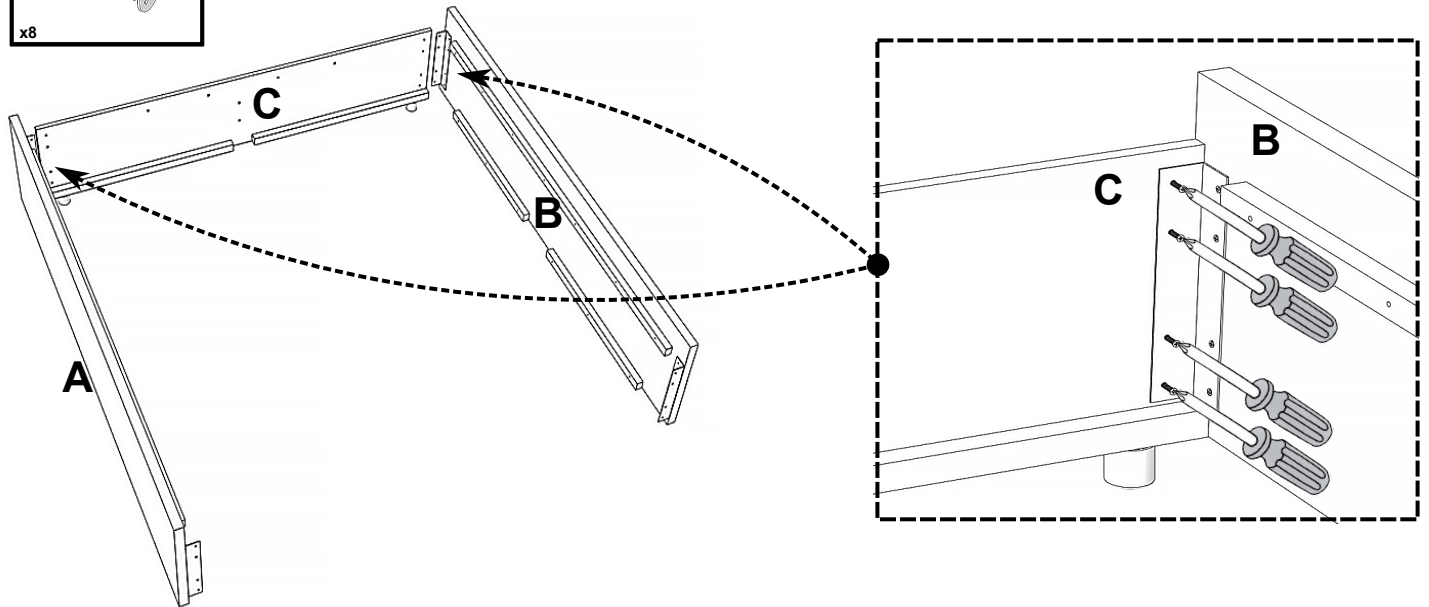
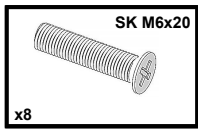
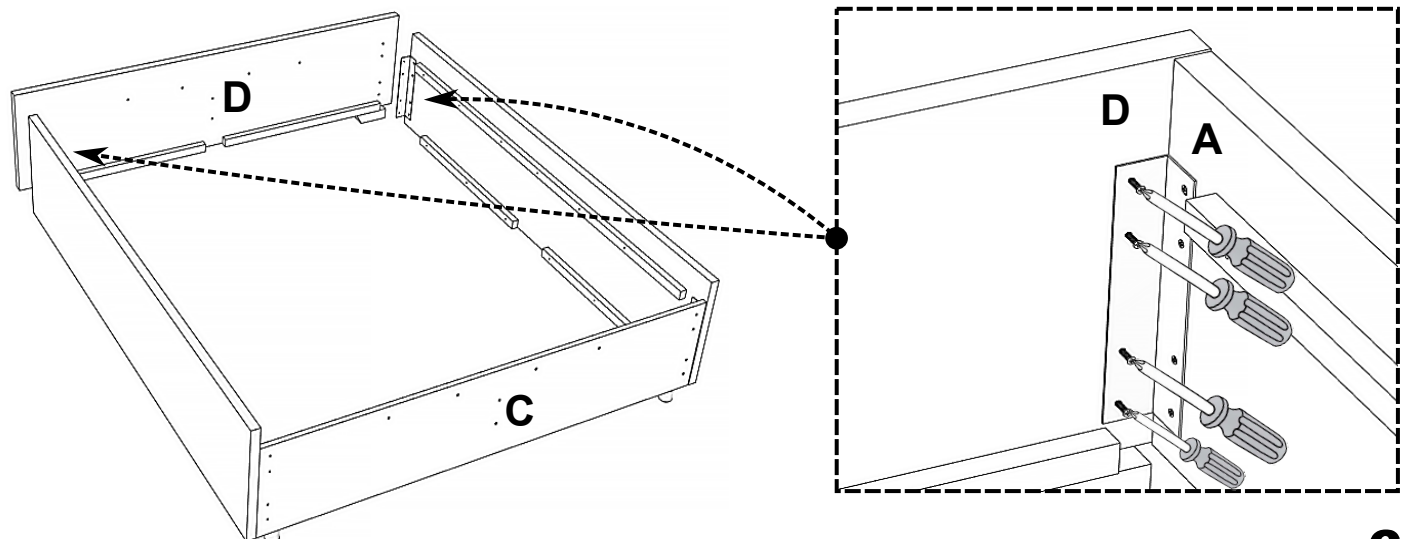
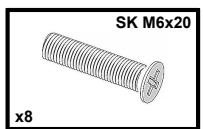
	<b>ver. 160</b>	<b>ver. 180</b>
<b>A</b>	2030x430x50	
<b>B</b>	2030x430x50	
<b>C</b>	1610x350x20	1810x350x20
<b>D</b>	1690x430x50	1890x430x50
<b>E</b>	2010x310x60	
<b>F</b>	800x130x60	900x130x60
<b>G</b>	990x793x3	990x893x3
<b>H1</b>	2000x800x190	2000x900x190
<b>H2</b>	2000x800x190	2000x900x190
<b>I</b>	1800x1200x80	2000x1200x80

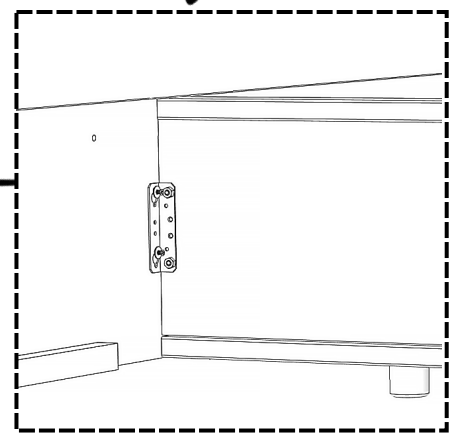
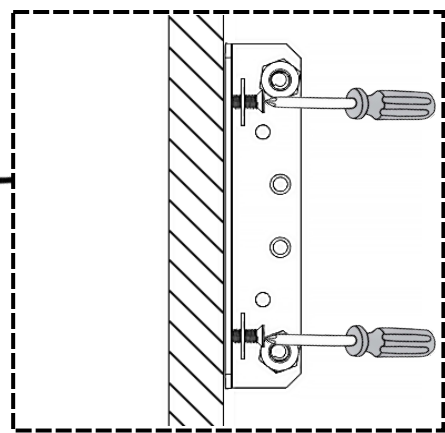
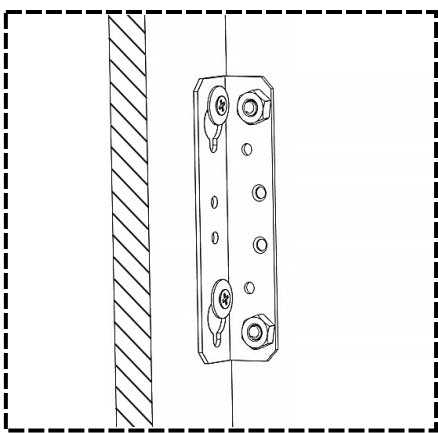
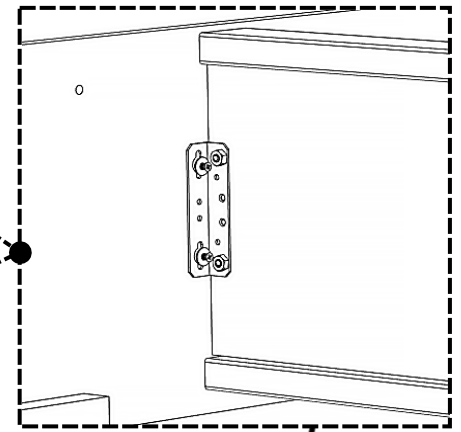
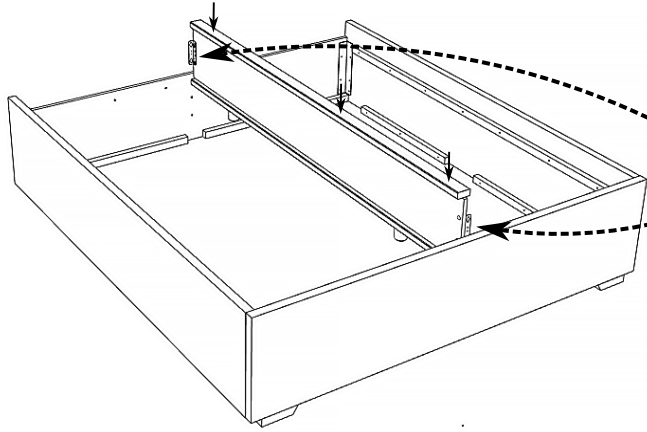
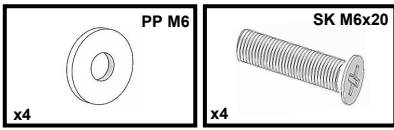
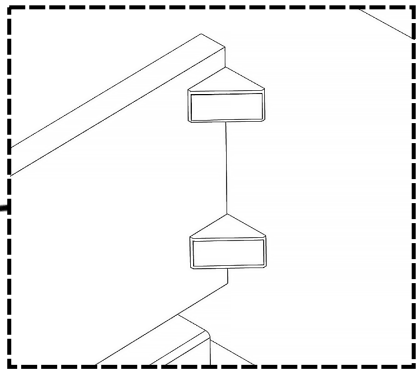
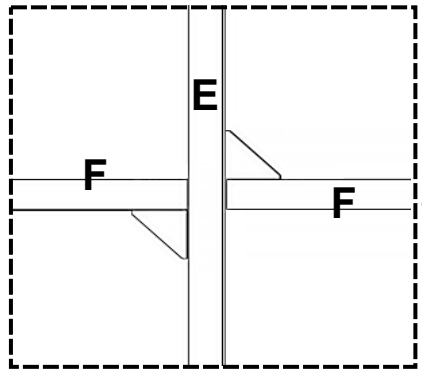
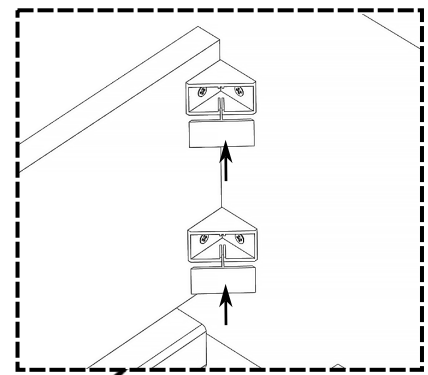
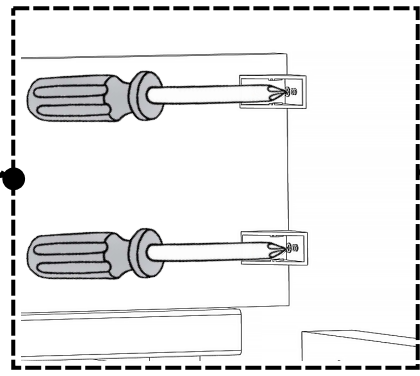
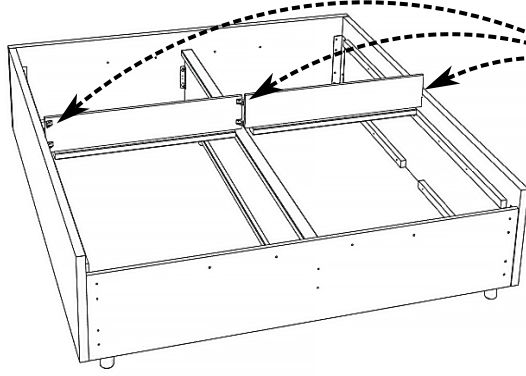




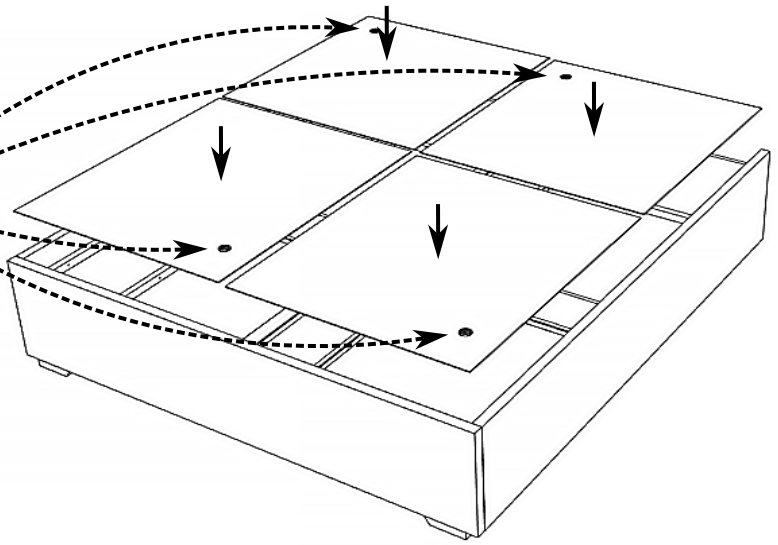
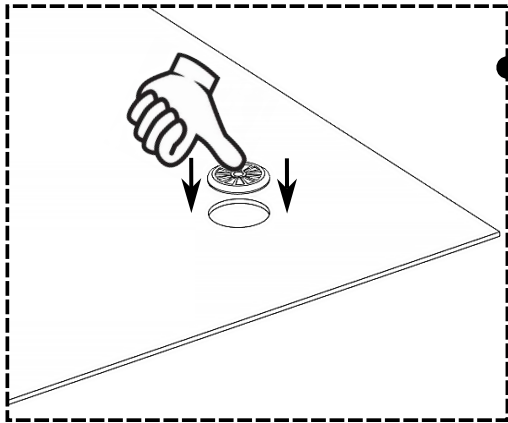
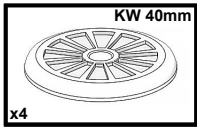
**1****2**

**3****4****5**

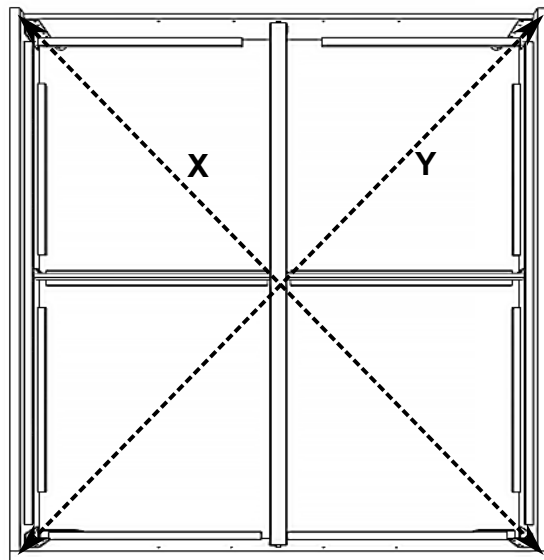
**6****7****8**

**9****10**

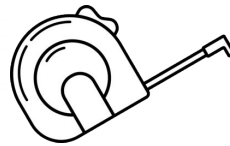
11



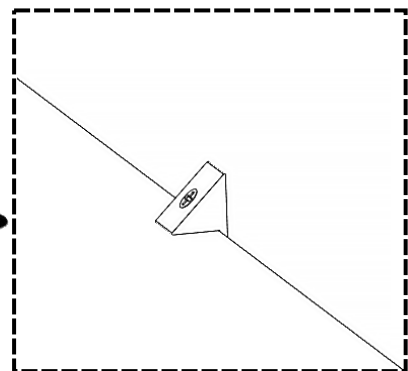
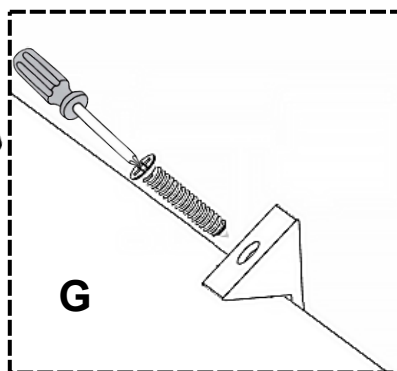
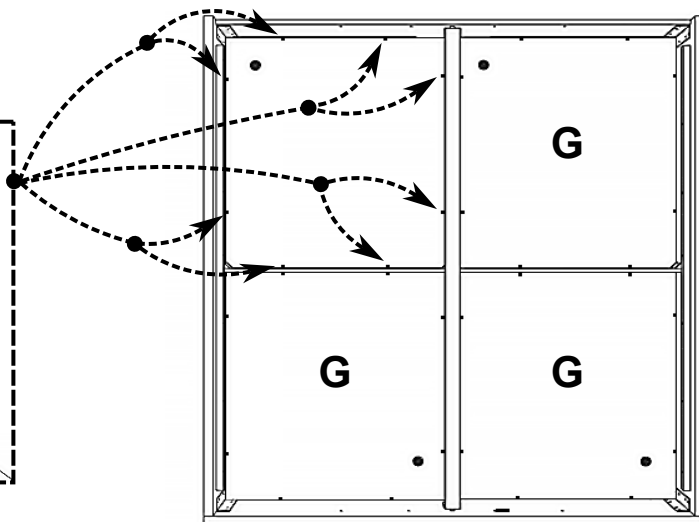
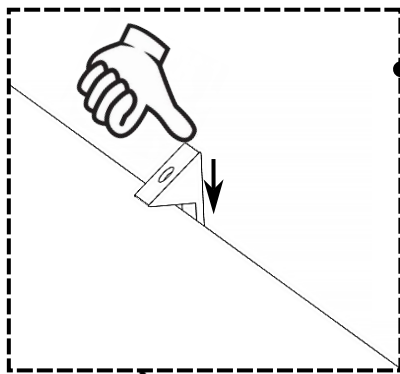
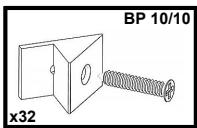
12



X=Y

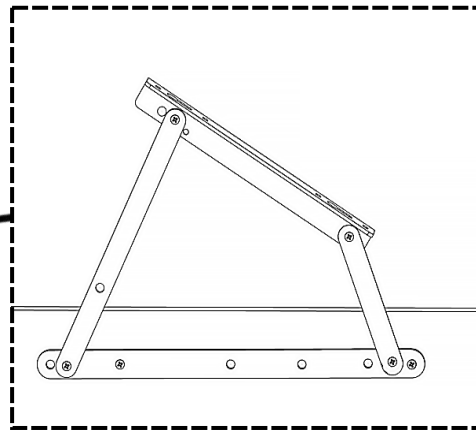
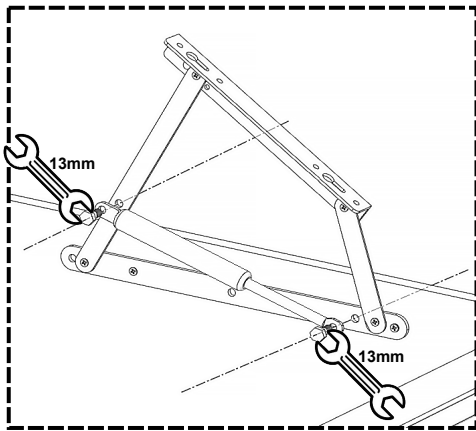
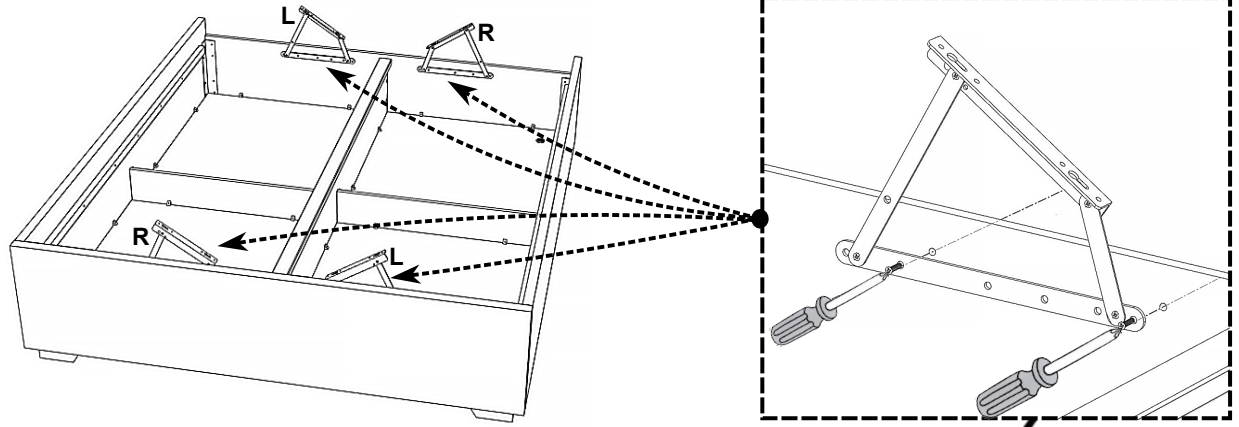
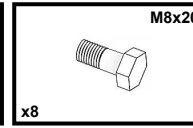
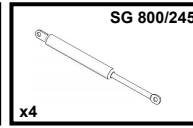
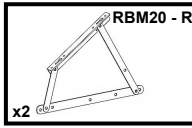
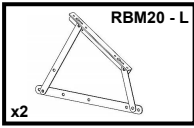


13

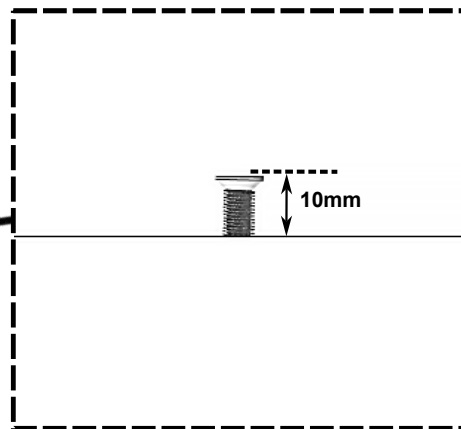
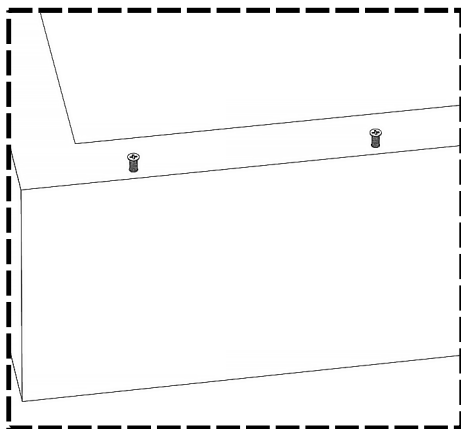
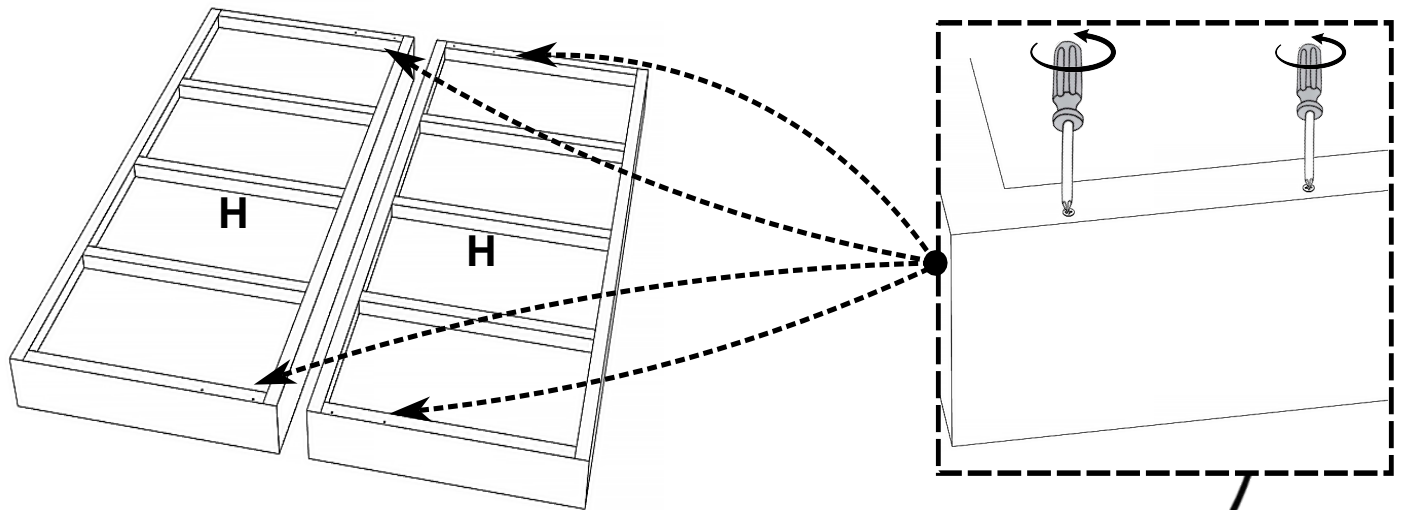




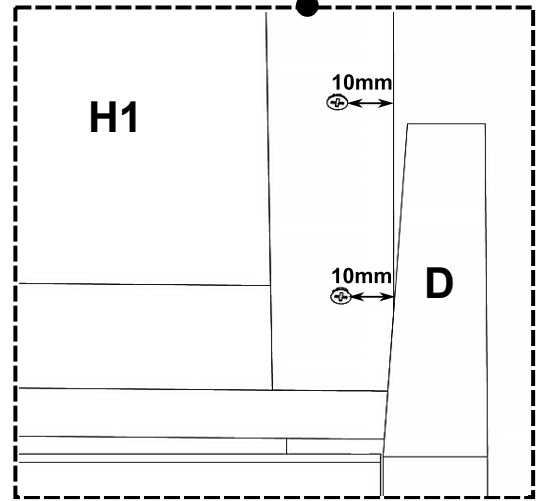
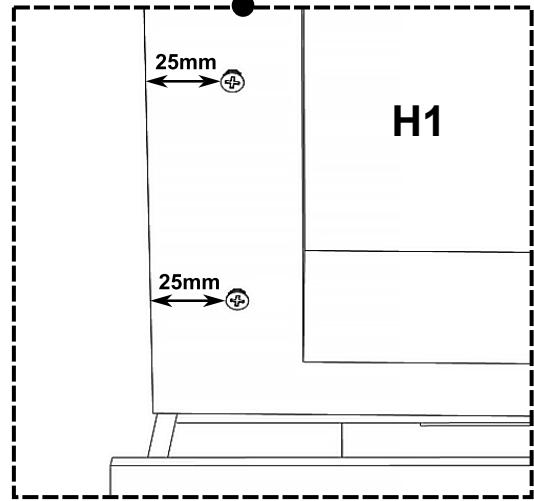
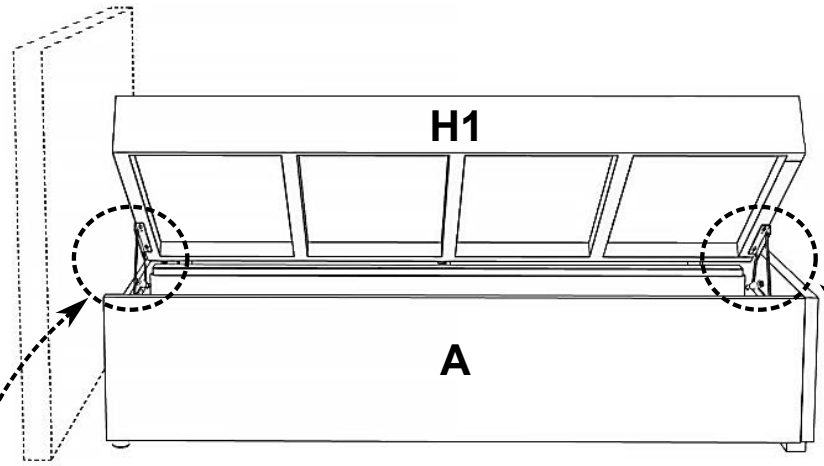
14



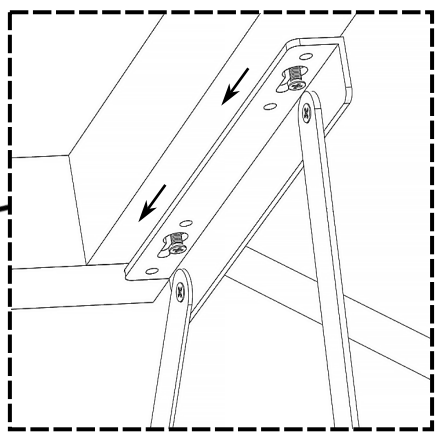
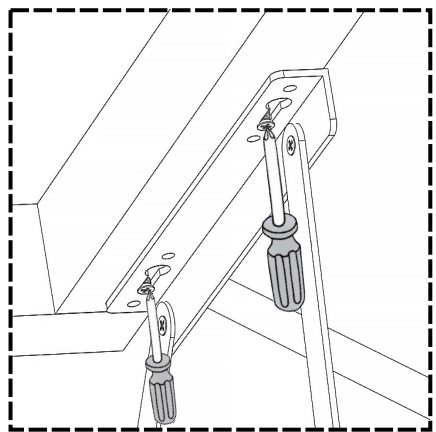
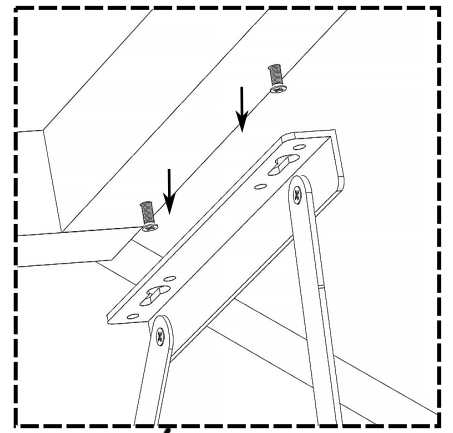
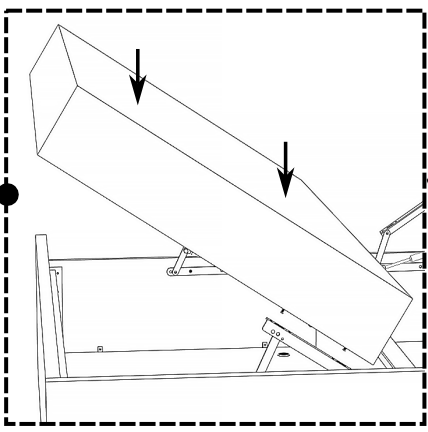
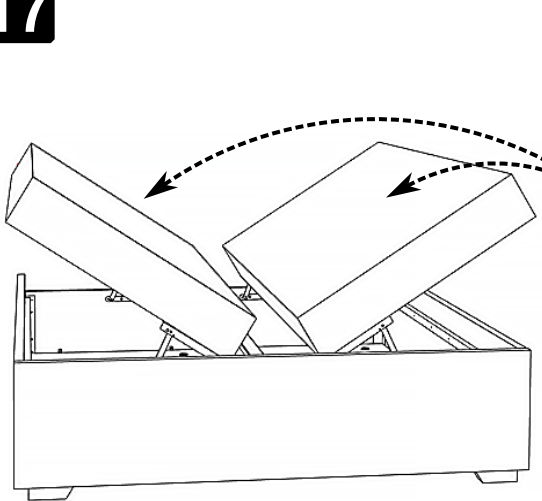
15



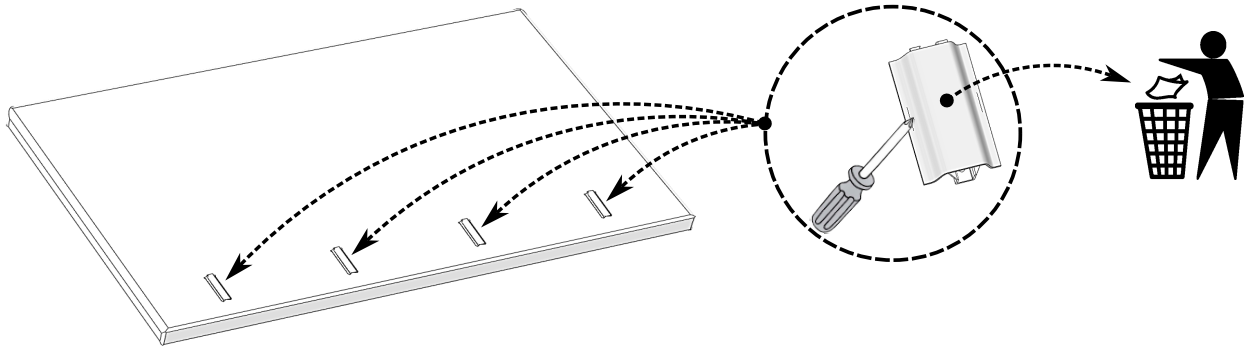
16



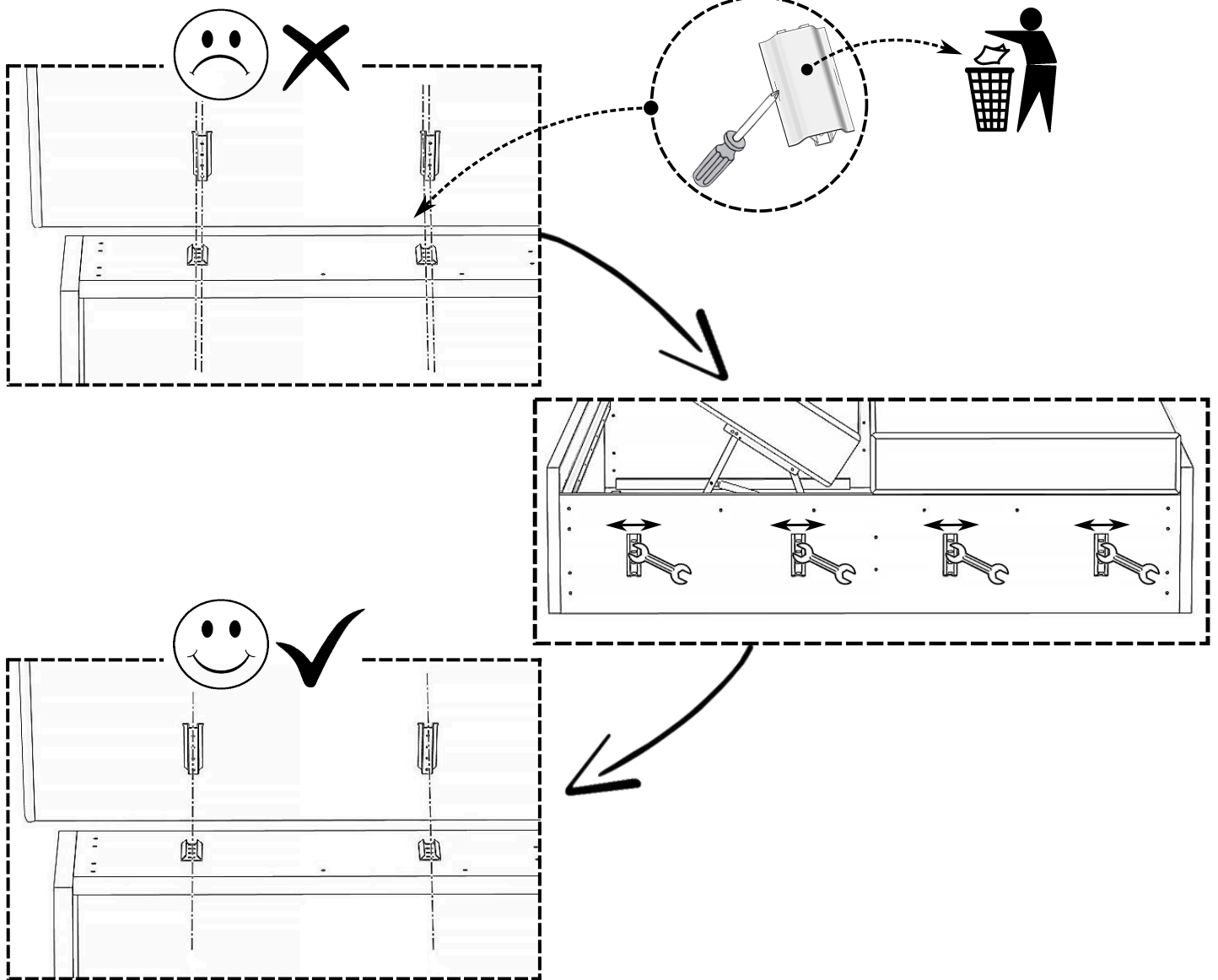
17



18



19



20

