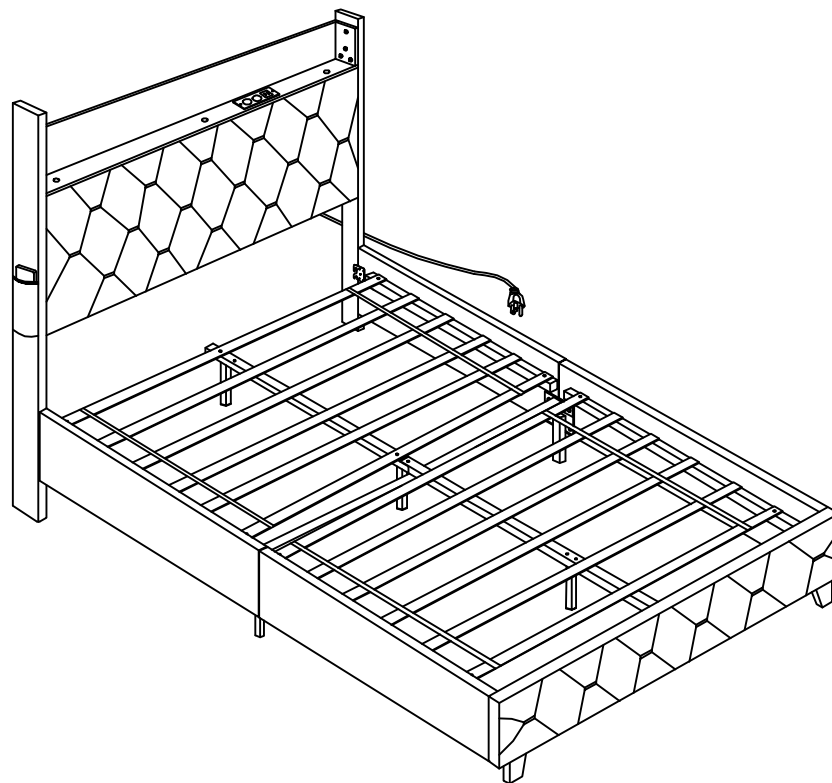
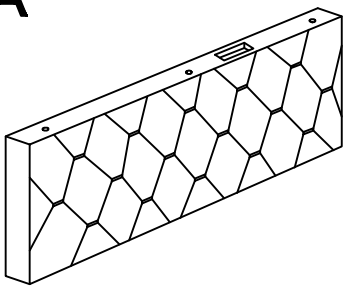
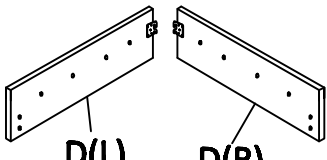
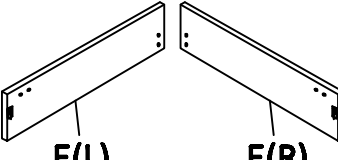
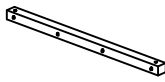


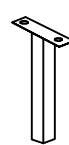



ASSEMBLY INSTRUCTION

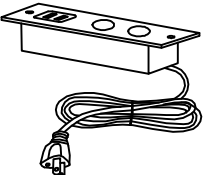






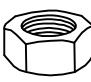
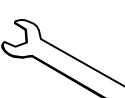

WF312321AAA & WF312322AAA






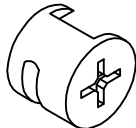
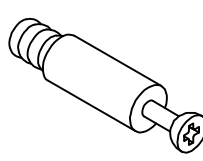

PARTS LIST:WF312321AAA

<p>A</p>  <p>Headboard 1pc</p>	<p>D</p>  <p>D(L) D(R)</p> <p>Side Rail 1pair</p>	<p>E</p>  <p>E(L) E(R)</p> <p>Side Rail 1pair</p>	<p>F</p>  <p>Support the wooden square 4pcs</p>	<p>J</p>  <p>Said Rail Support Leg 2pcs</p>
<p>K</p>  <p>Centre Support Leg 1pc</p>	<p>L</p>  <p>Centre Support Leg 2pcs</p>	<p>M</p>  <p>Leg 2pcs</p>		

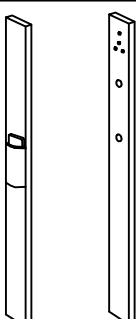
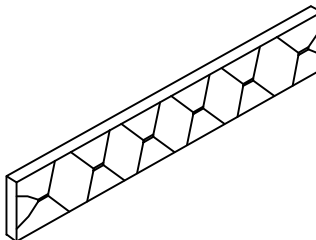
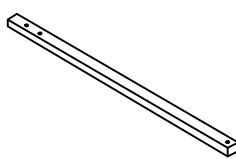
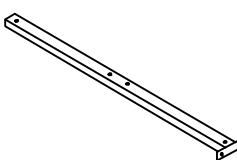
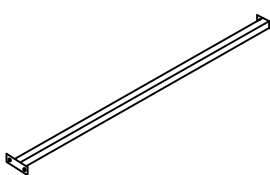
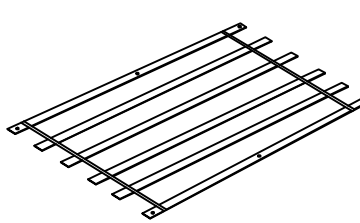
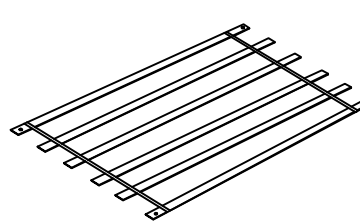
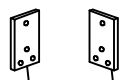
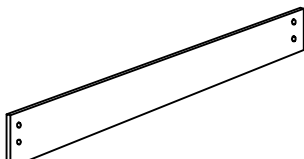
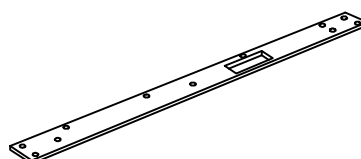
HARDWARE LIST:WF312321AAA

<p>1:Socket 1pc</p> 	<p>2:Bolt 18pcs</p>  <p>M8*20mm</p>	<p>3:Bolt 19pcs</p>  <p>M8*40mm</p>	<p>4:Bolt 10pcs</p>  <p>M8*50mm</p>	<p>5:Bolt 2pcs</p>  <p>M8*60mm</p>
<p>6:Flat Washer 55pcs</p>  <p>Ø19mm</p>	<p>7:Spring Washer 46pcs</p>  <p>M8*1.2mm</p>	<p>8:Nut 6pcs</p> 	<p>9:Spanner 1pc</p> 	<p>10:Allen Key 1pc</p> 

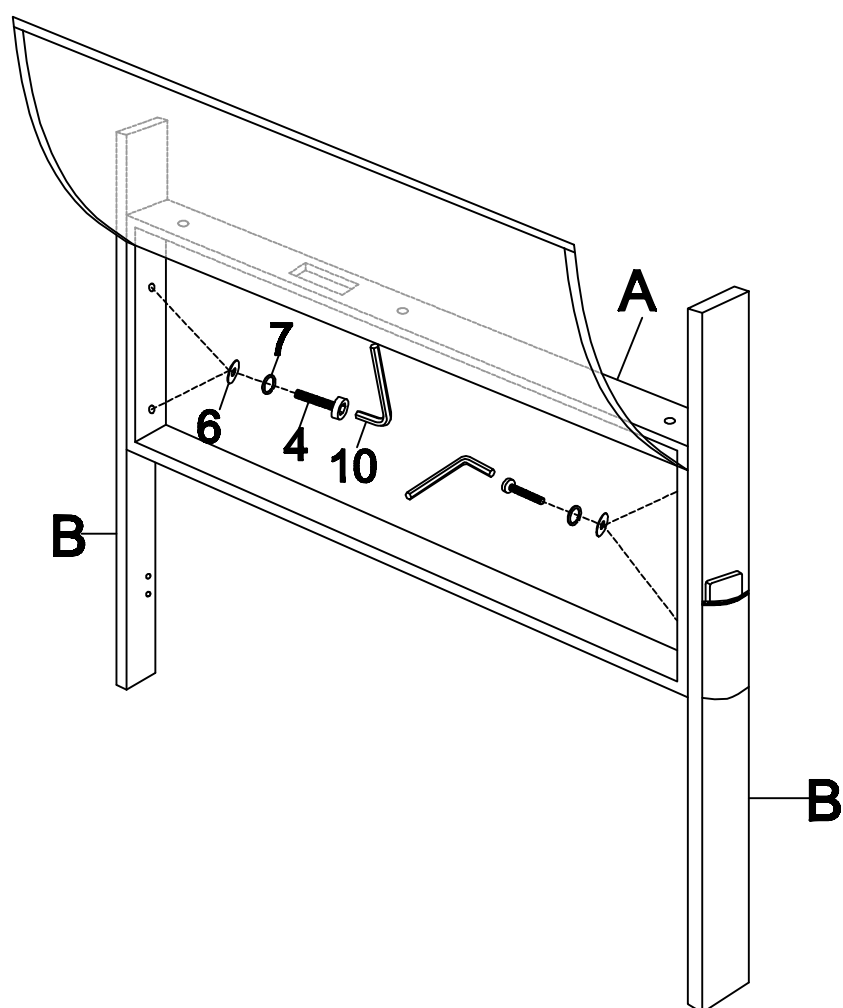
HARDWARE LIST:WF312321AAA

<p>11:Phillips head screws 2pcs M8*15mm</p> 	<p>12:Phillips head screws 8pcs M8*30mm</p> 	<p>13:Phillips 1pc</p> 	<p>14: 12pcs</p> 	<p>15: 12pcs</p> 
<p>16:Sticker 12pcs</p> 				

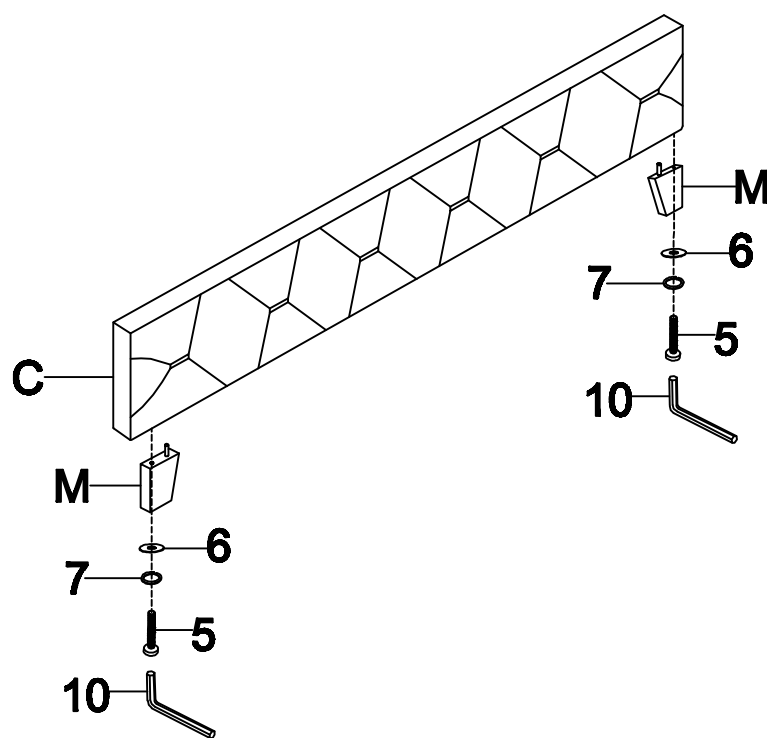
PARTS LIST:WF312322AAA

<p>B</p>  <p>Leg 2pcs</p>	<p>C</p>  <p>Footboard 1pc</p>	<p>G</p>  <p>Centre Rail 1pc</p>	<p>H</p>  <p>Centre Rail 1pc</p>	<p>I</p>  <p>Reinforced Pipe 1pc</p>
<p>N</p>  <p>Slat 1set</p>	<p>O</p>  <p>Slat 1set</p>	<p>P</p>  <p>P(L) P(R) Bookshelf side board 2pcs</p>	<p>Q</p>  <p>Bookshelf back board 1pc</p>	<p>R</p>  <p>Bookshelf base board 1pc</p>

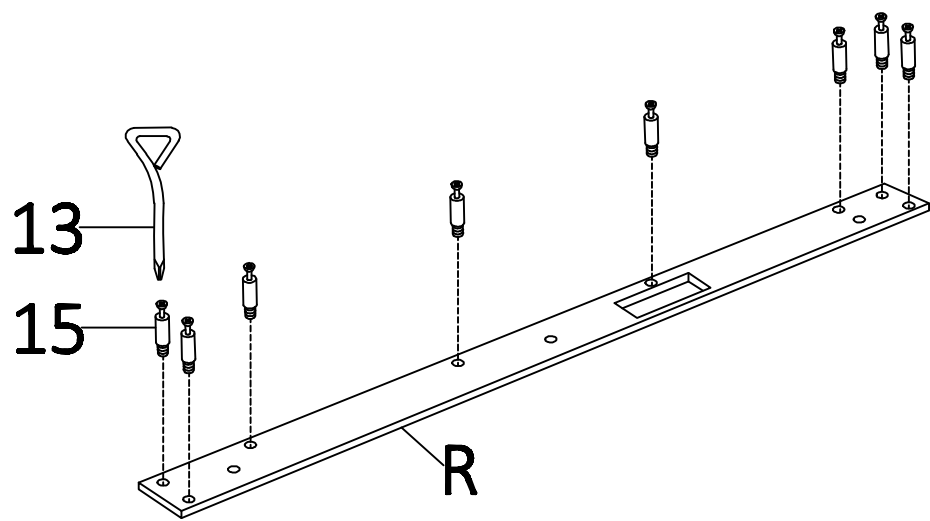
1:



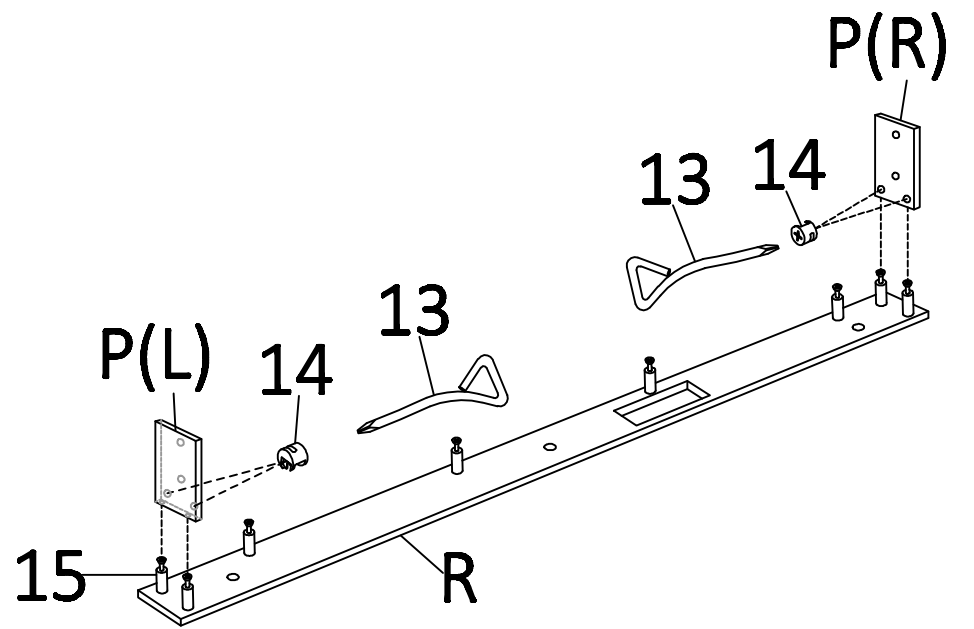
2:



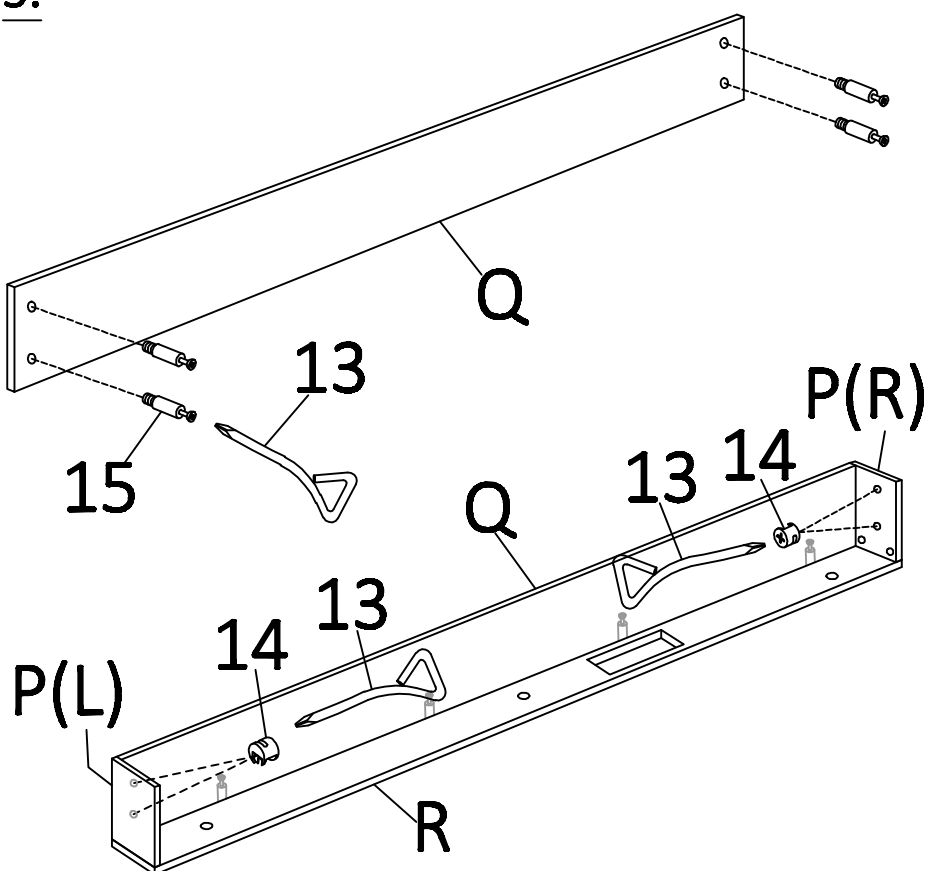
3:



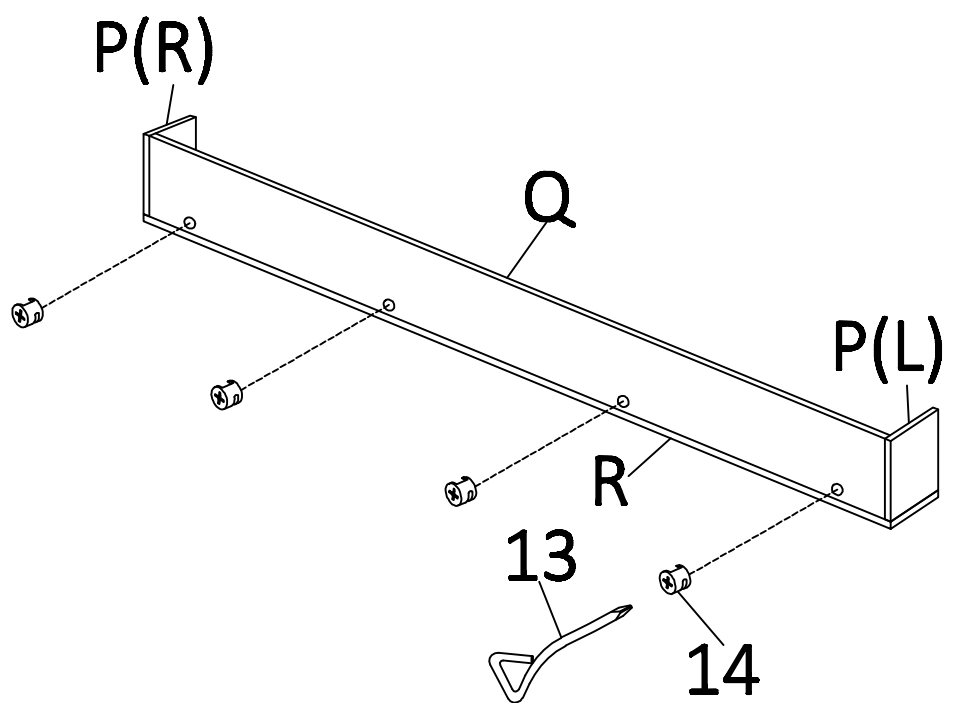
4:



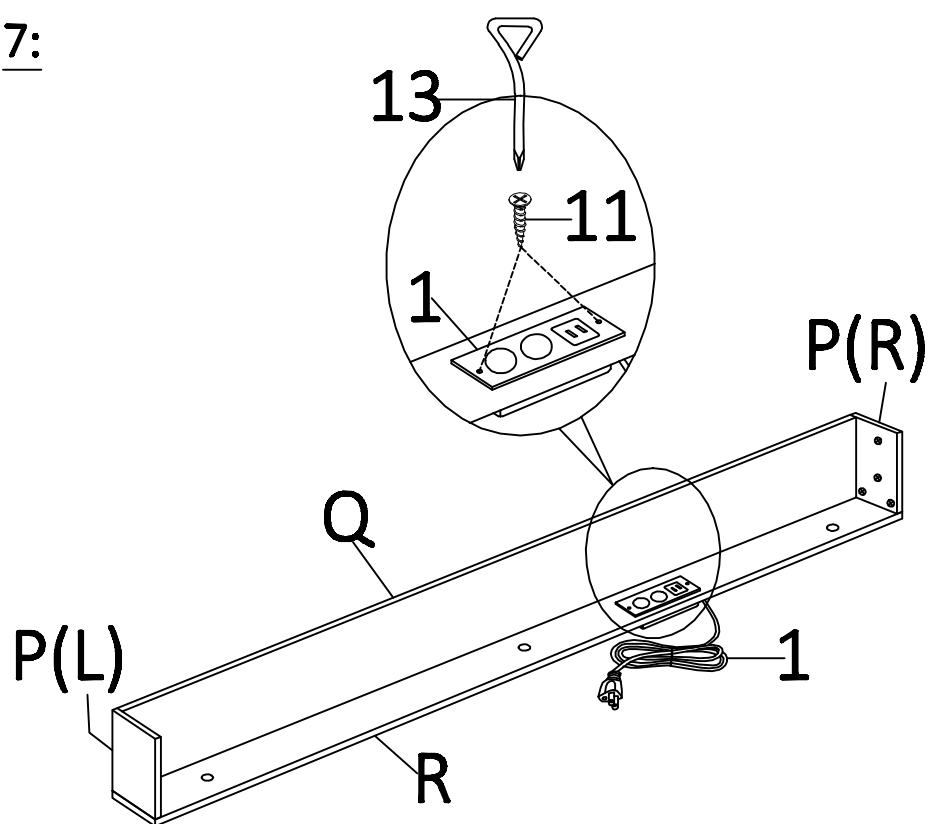
5:



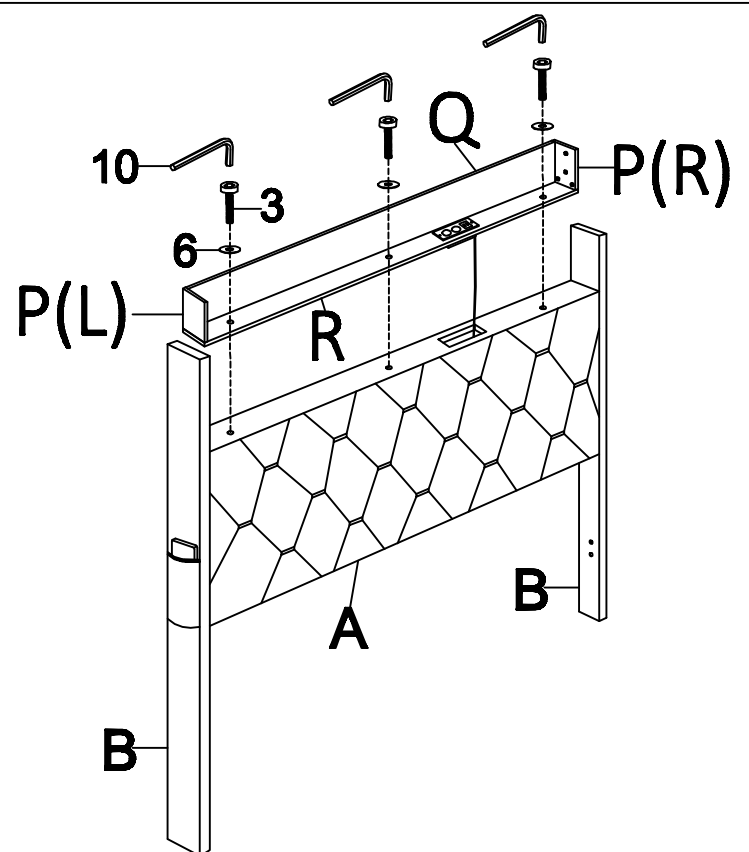
6:



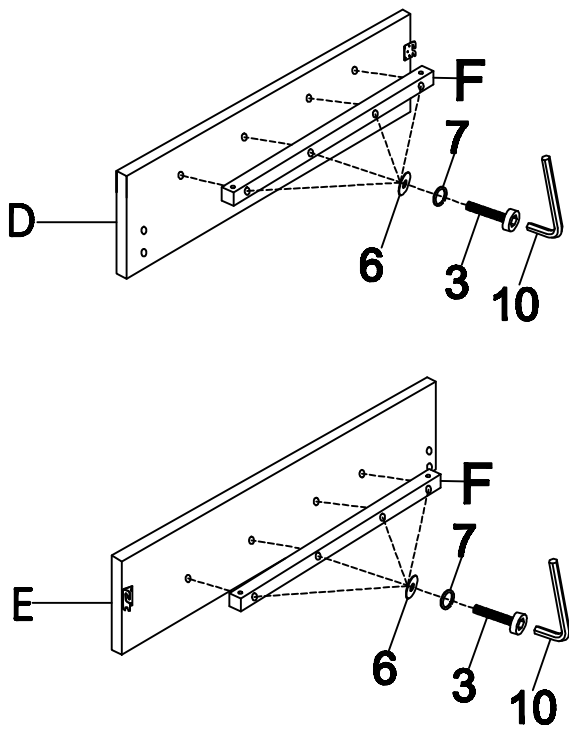
7:



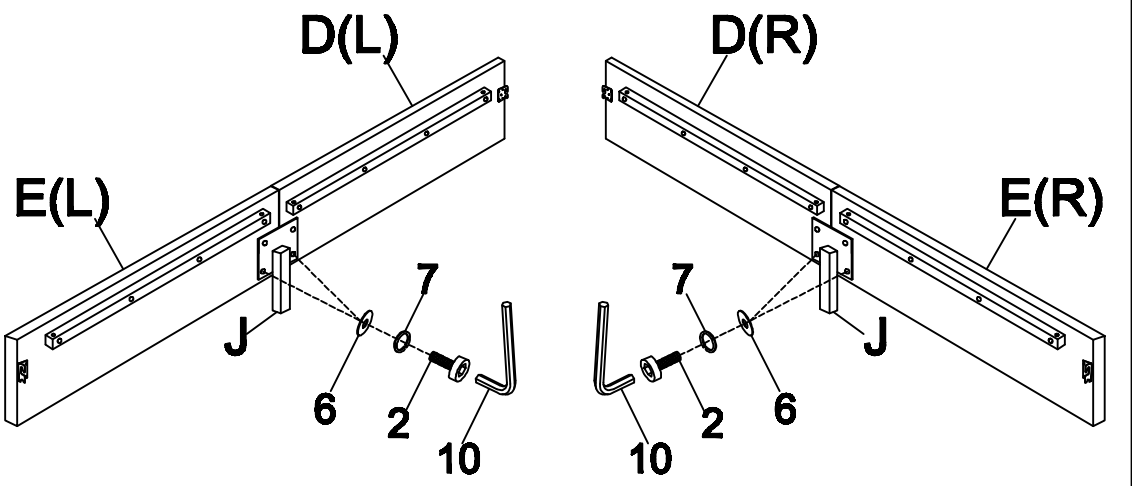
8:



9:



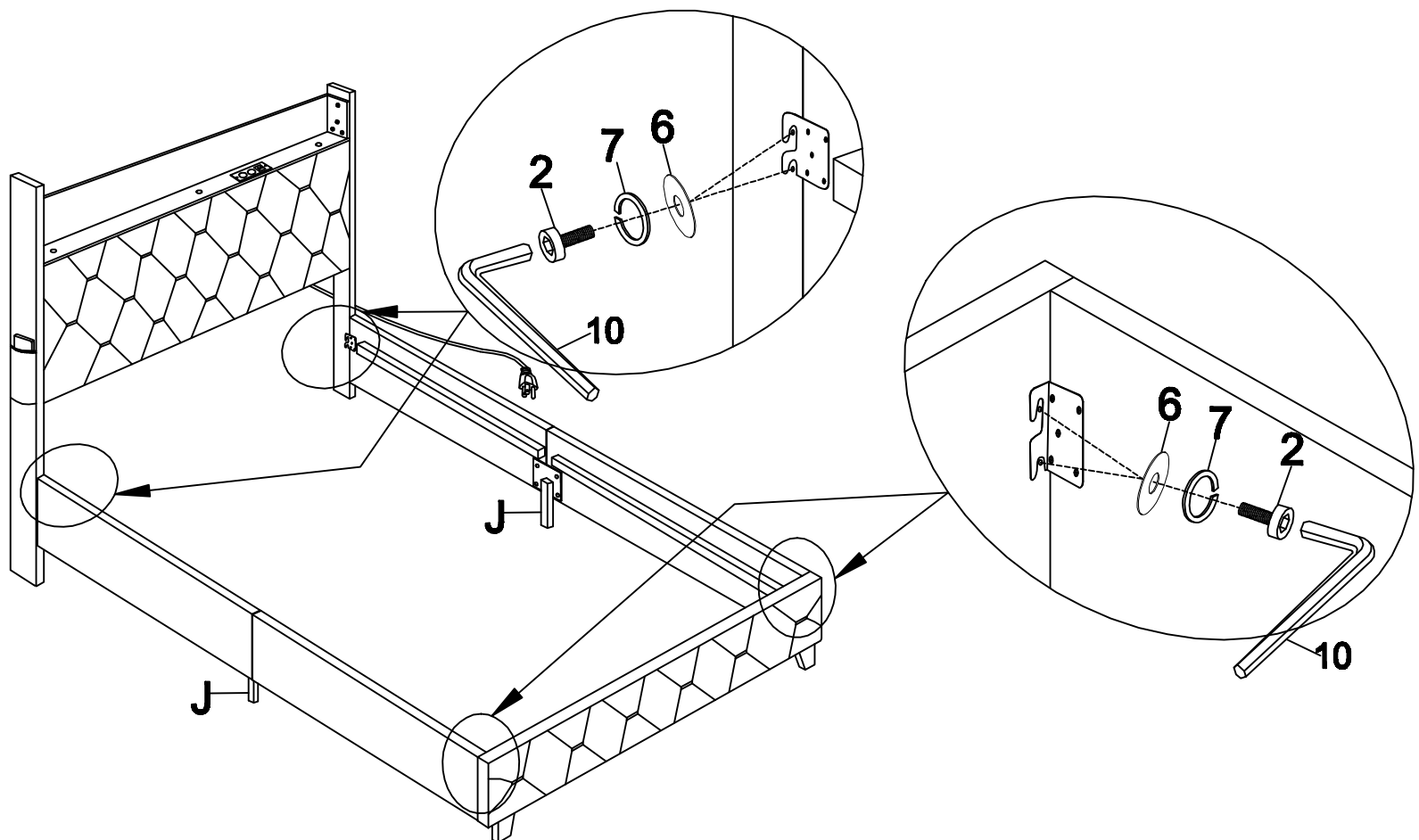
10:



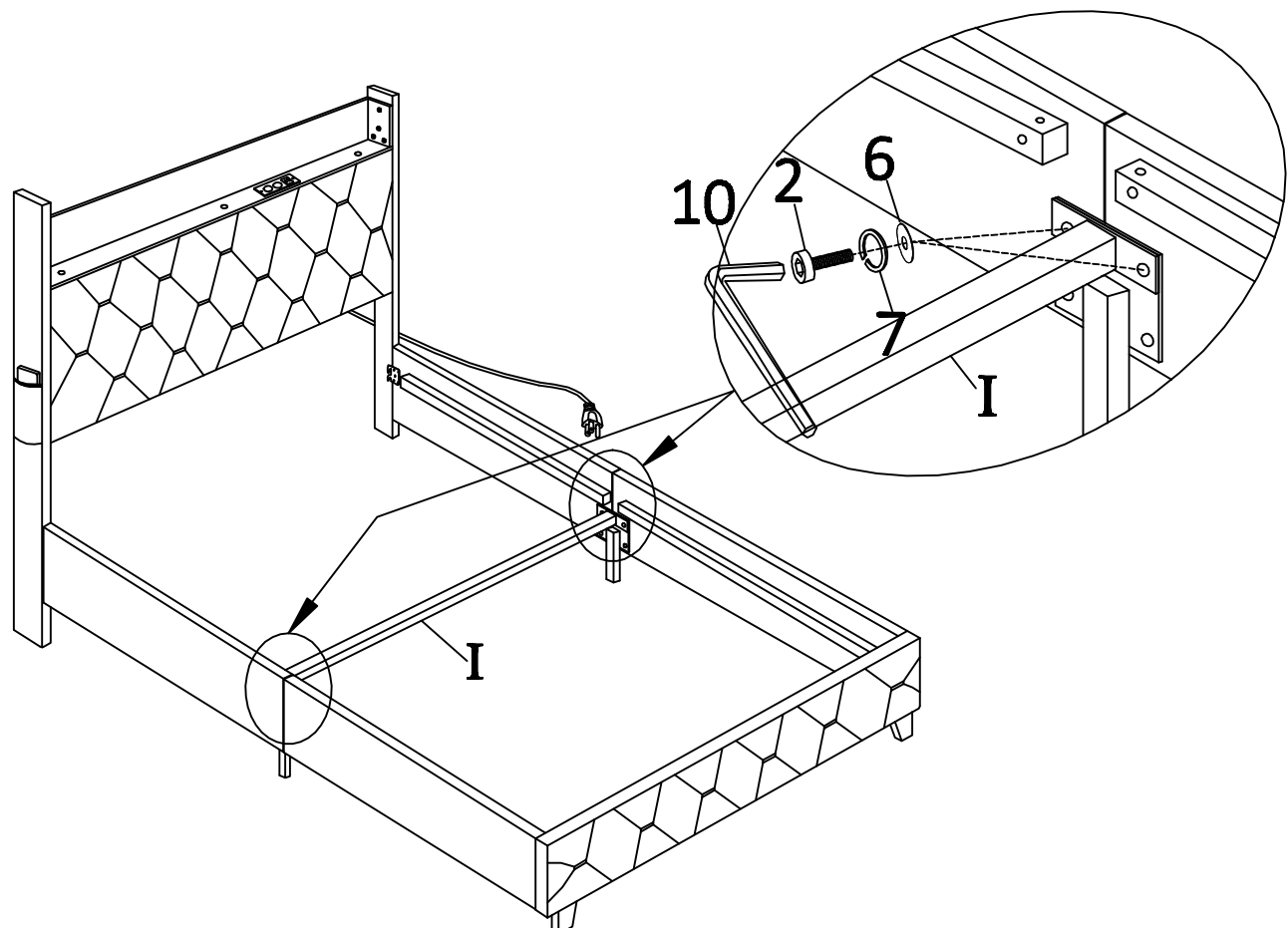
Please make sure that just lock two bolts during this step.

Bitte achten Sie darauf, bei diesem Schritt nur zwei Riegel zu verriegeln.

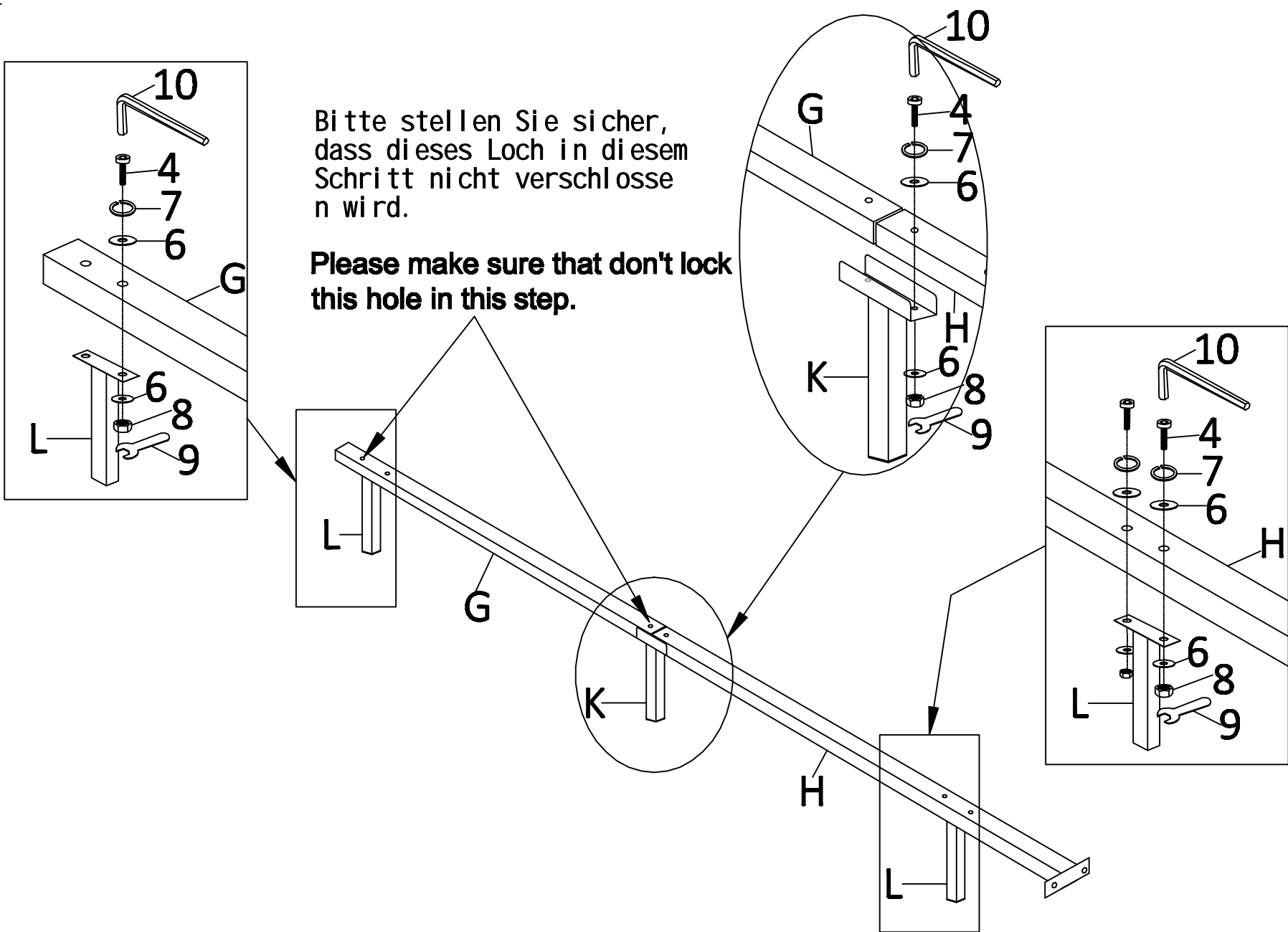
11:



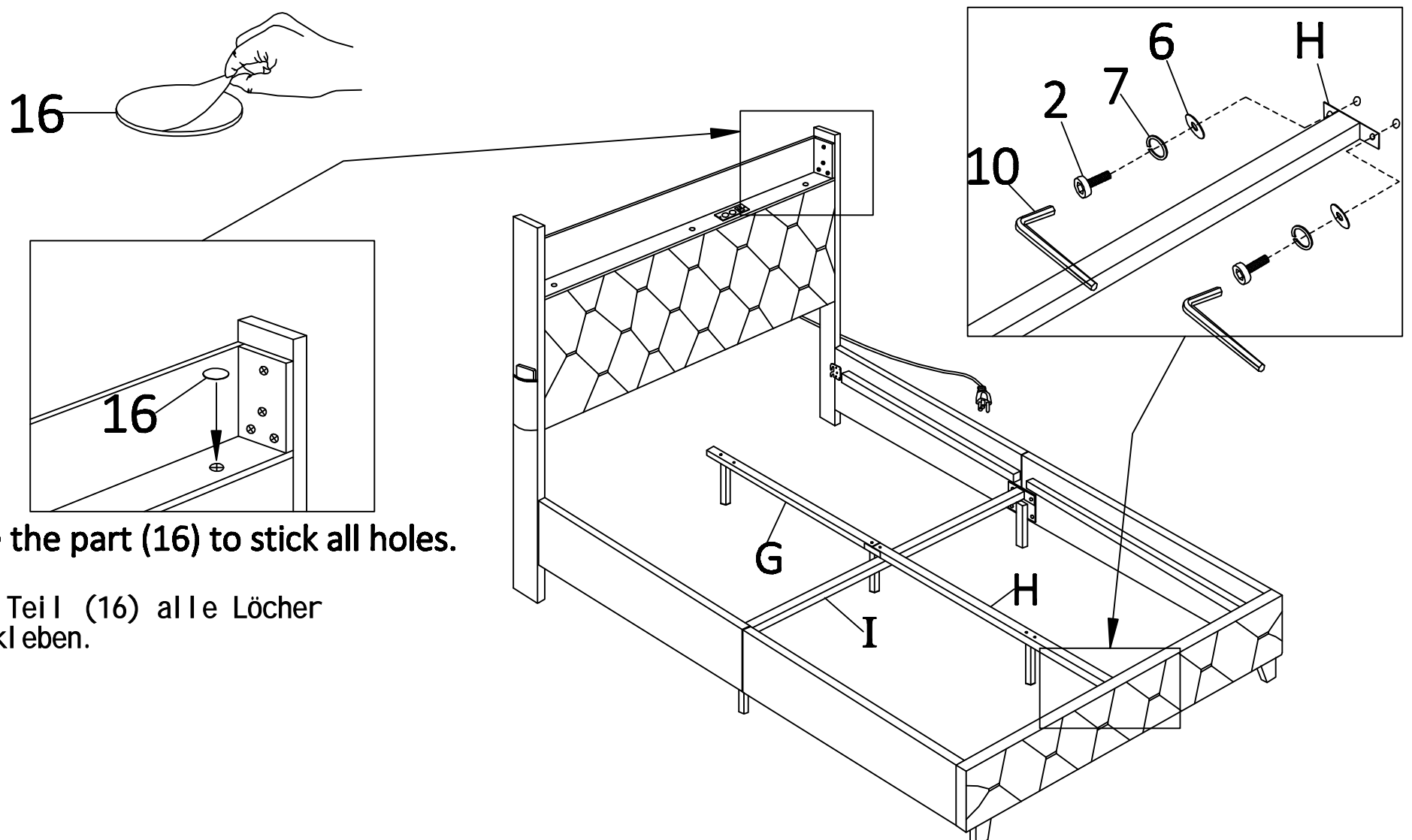
12:



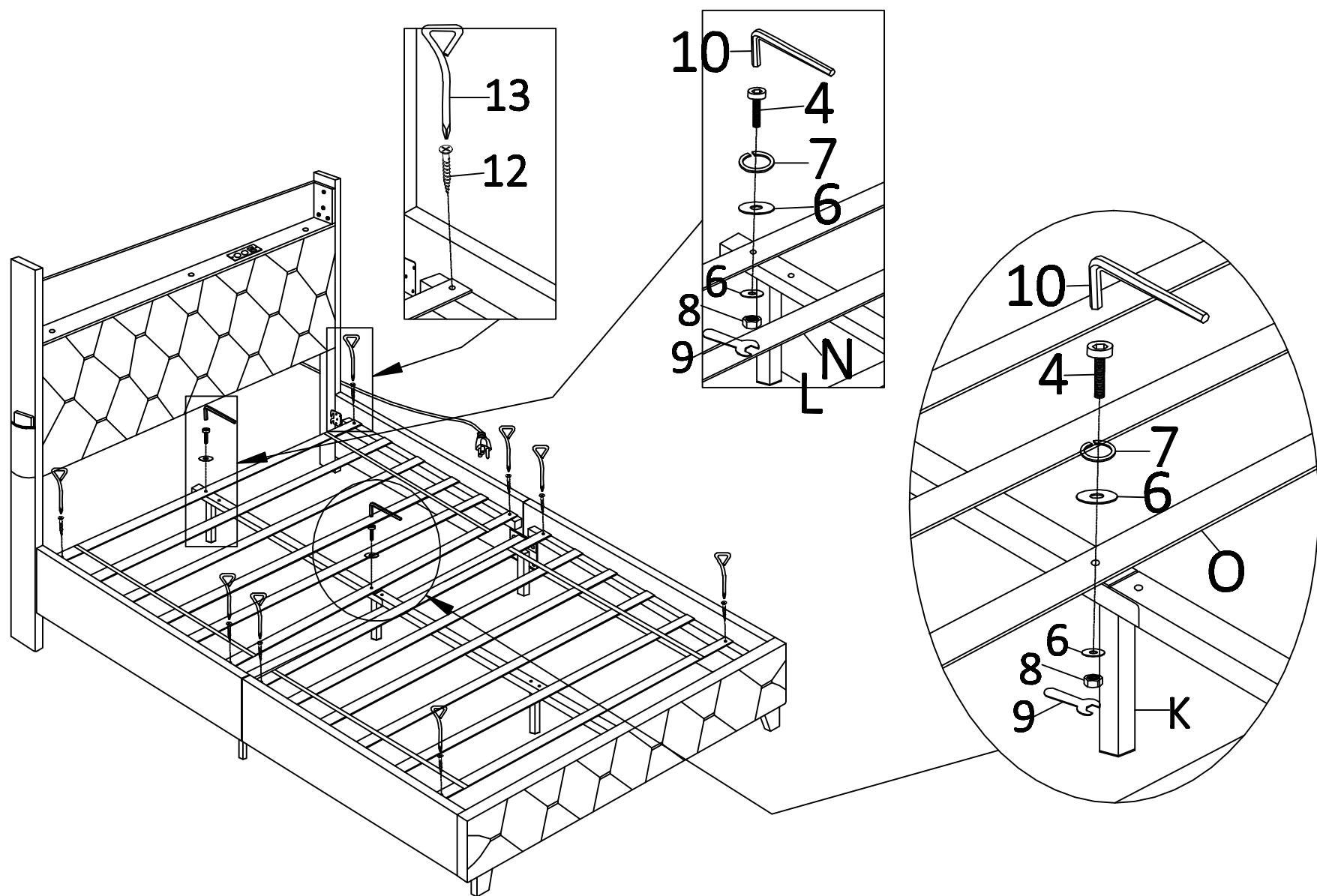
13:



14:



15:



16:

