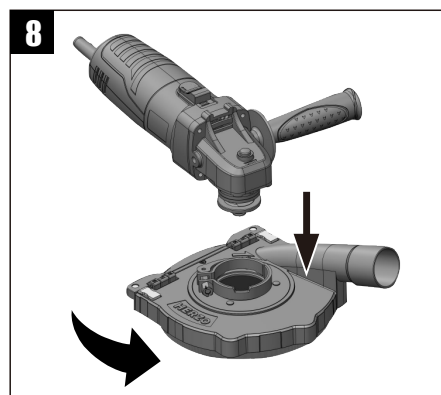
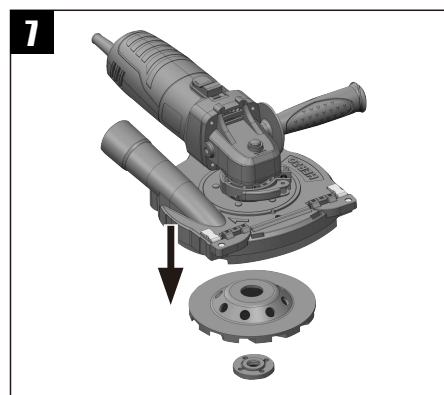
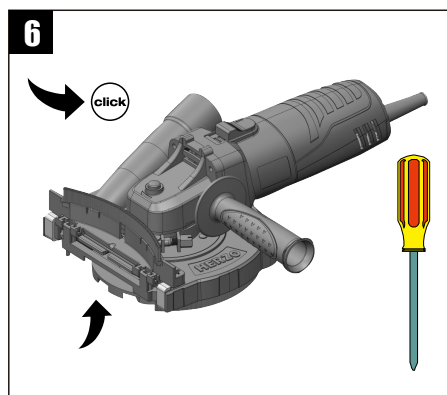
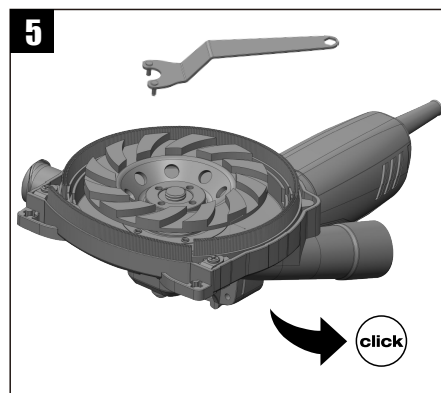
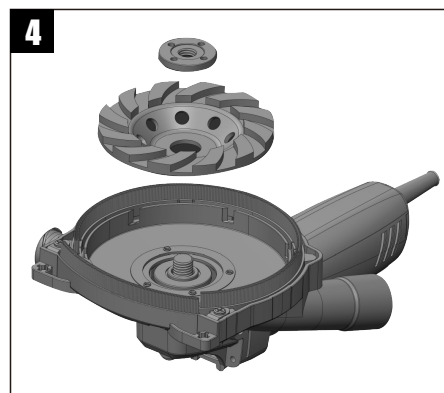
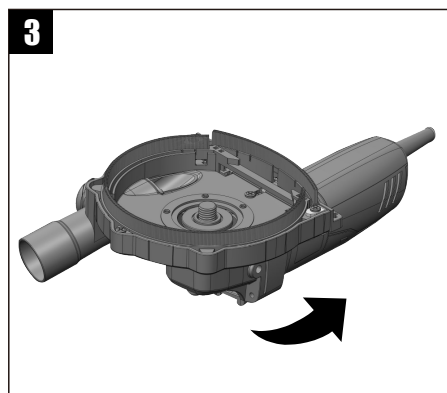
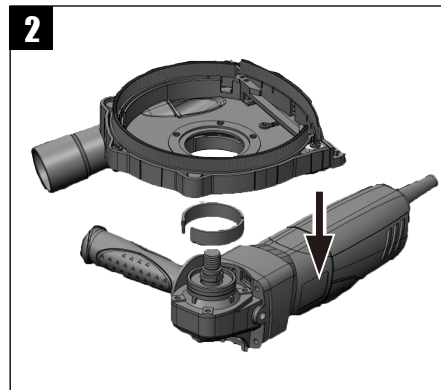
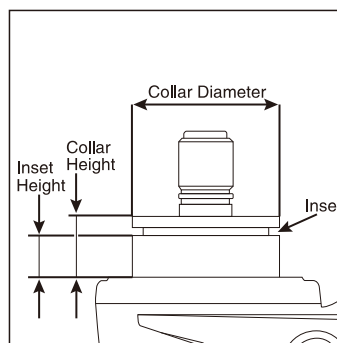
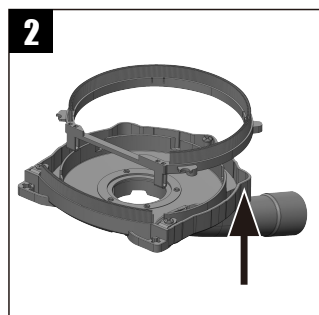
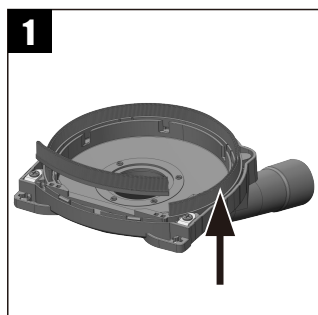


HERZO[®] DUST SHROUD INSTRUCTIONS

Montage / Demontage



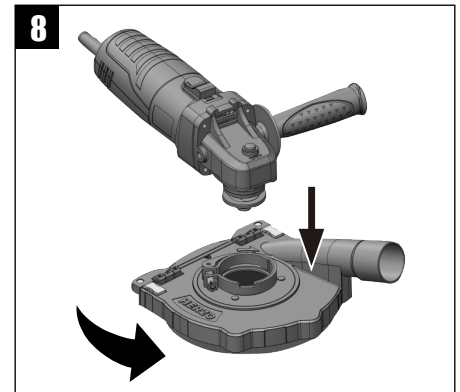
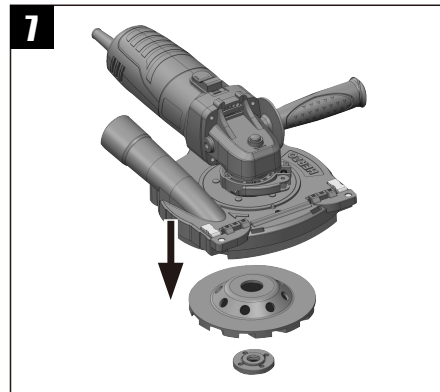
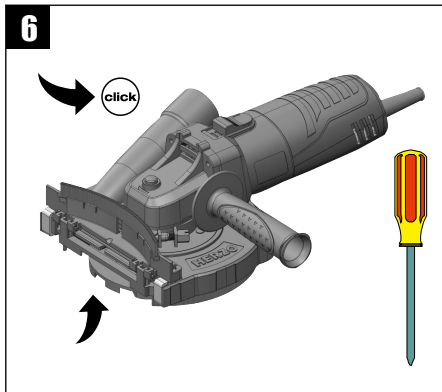
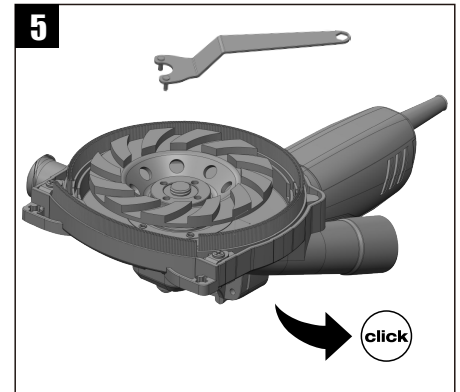
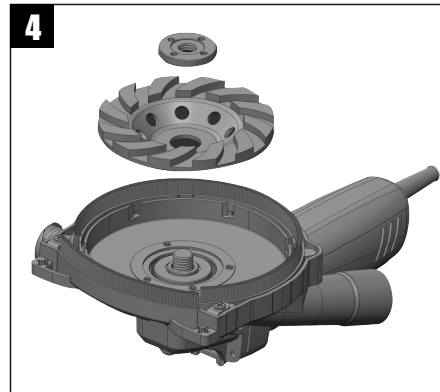
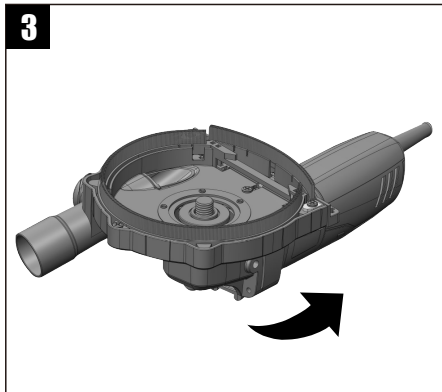
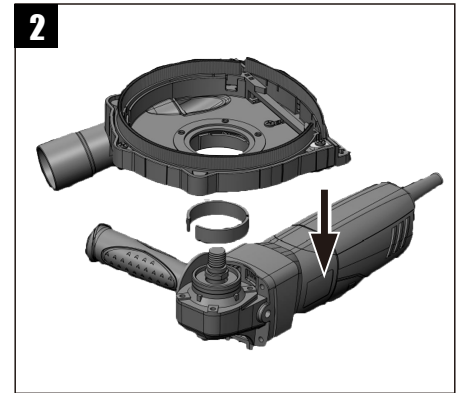
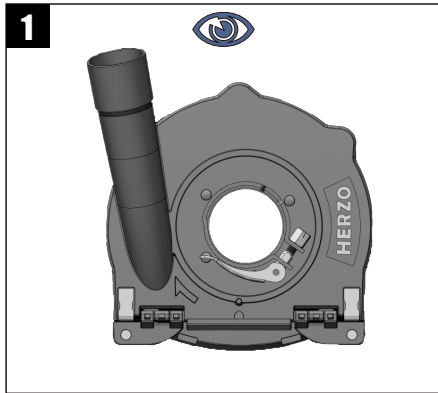
Change the dust brushes



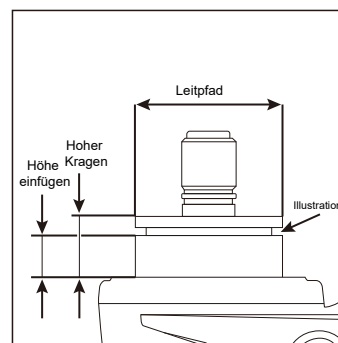
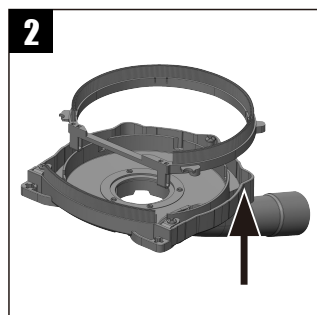
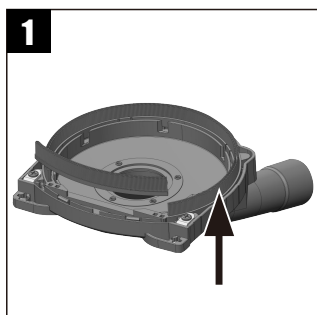
5" dust shroud Collar Diameter:
39mm, 42mm, 45mm, 48mm, 50mm
5" dust shroud Accessories:
1pc wrench, 1pc pressing plate,
3pcs rings (39mm, 42mm, 45mm)
mark: diameter 48mm, 50mm by
clamping the collar
7" Dust Shroud Collar Diameter:
54mm, 60mm, 62mm, 65mm, 68mm, 76mm
7" Dust Shroud Accessories:
1pc wrench, 1pc pressing plate, 5pcs
rings (54mm, 60mm, 62mm, 65mm, 68mm)
Mark: diameter 76mm by clamping the collar

HERZO® ANLEITUNG ZUR STAUBSCHUTZHÜLLE

Montage / Demontage



Staubbürste ersetzen



5"-Zoll-Staubschutz-Kragendurchmesser:
39 mm, 42 mm, 45 mm, 48 mm, 50 mm
5-Zoll-Staubschutz-Zubehör:
1 Schraubenschlüssel, 1 Druckplatte, 3
Ringe (39 mm, 42 mm, 45 mm).
Markierung: Durchmesser 48 mm, 50 mm
durch Klemmring
7" Staubschutzkragenabstand: 54 mm,
60 mm, 62 mm, 65 mm, 68 mm, 76 mm
7" Staubschutzzubehör:
1 Schraubenschlüssel, 1 Druckplatte,
5 Ringe (54 mm, 60 mm, 62 mm, 65 mm,
68 mm). Markierung:
Klemmringdurchmesser 76 mm