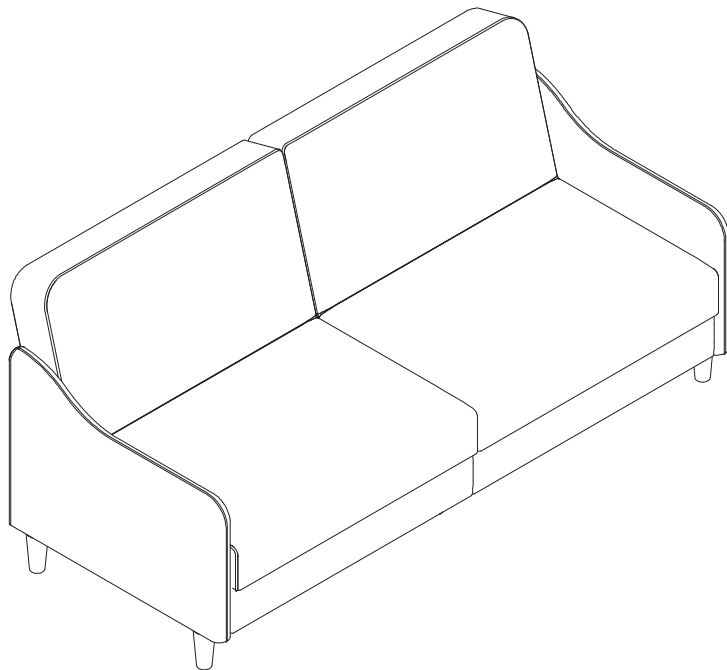
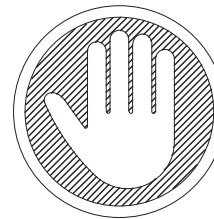


2148009(Black Faux Leather), 2148109(White Faux Leather),  
2148309(Camel Faux Leather), 2148409(Gray Faux Leather),  
2148329(Yellow Linen), 2148429(Gray Linen),  
2148629(Blue Linen), 2148729(Orange Linen),  
2148829(Light Gray Linen), 2148929(Green Linen)  
Coil Futon

Weight Limit: 600 Lb / 272 Kg



Thank you for purchasing from DHP!



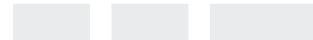
Questions, concerns, missing parts?  
**CONTACT OUR CUSTOMER SERVICE DEPARTMENT  
BEFORE RETURNING PRODUCT TO THE RETAILER.**

If parts are missing or damaged, we will gladly ship your replacement parts free of charge.

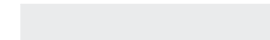
Visit [www.dhpfurniture.com/eng/replacement-parts](http://www.dhpfurniture.com/eng/replacement-parts)  
or call Toll-Free **1-800-267-1739**.



You can also chat with us at [www.dhpfurniture.com](http://www.dhpfurniture.com)

Date of Purchase



Lot Number (TAKEN FROM CARTON)



|   |   |   |
|---|---|---|
|  | <p>VISIT THE DHP HELP CENTER<br/>FOR ASSEMBLY VIDEOS AND MORE!<br/><a href="http://helpcenter.dhpfurniture.com">helpcenter.dhpfurniture.com</a><br/>OR SCAN ME TO THERE ! </p> |  |
|---|---|---|

 THIS INSTRUCTION BOOKLET CONTAINS **IMPORTANT** SAFETY INFORMATION. PLEASE READ AND KEEP FOR FUTURE REFERENCE.

## Limited 1 year Warranty

DHP warrants this product to be free from defects in material and workmanship and agrees to remedy any such defect. This warranty covers one year from the date of original purchase from authorized retailers. This is solely limited to the repair or replacement of defective parts and assembly labor is not included.

This warranty does not apply to any product which has been improperly assembled, subjected to misuse or abuse or which has been altered or repaired in any way. The warranty does not cover wearing, tearing, fading or splitting of the fabric (where applicable). Liability for consequential damages is excluded to the extent exclusion is permitted by law. This warranty gives you specific legal rights and you may also have other rights which vary from state to state or province to province.

To obtain warranty service, purchaser must present original bill of sale. Components repaired or replaced are warranted through the remainder of the original warranty period only. The defective components will be repaired or replaced without charge, subject to the terms and conditions described above.

Visit [www.dhpfurniture.com](http://www.dhpfurniture.com) to view the limited warranty valid in the U.S. and Canada.

## Contact Us!

For help with assembly, identifying parts, product information or to order parts, please contact us:



[www.dhpfurniture.com](http://www.dhpfurniture.com)



[cs@dhpfurniture.com](mailto:cs@dhpfurniture.com)



**1-800-267-1739**

Monday to Friday 9 am to 9 pm (Eastern Time)  
Saturday 10 am to 6:30 pm (Eastern Time)  
Sunday 11 am to 7 pm (Eastern Time)

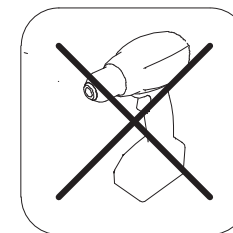
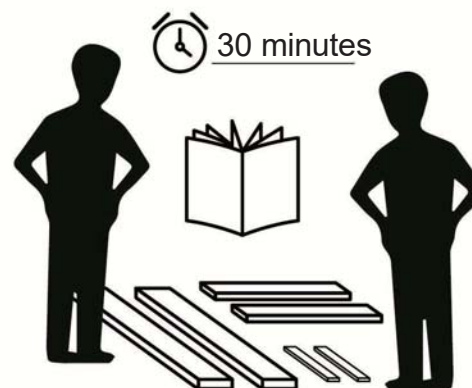


**DHP Consumer Services**

12345 Albert Hudon, Suite 100,  
Montreal, Quebec H1G 3L1

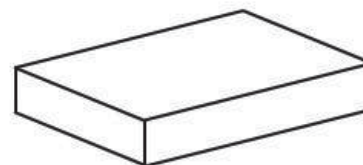
## Read Before Beginning Assembly

- Work in a spacious area and near where the unit will be used, preferably on a carpet, or use a piece of the cardboard packaging to protect your floor and product.
- Make sure all parts are included. Most parts are labeled or stamped on the raw edge.
- Read each step carefully. It is very important that each step of the instructions is performed in the correct order. If these steps are not followed in sequence, assembly difficulties will occur.
- This product may contain small components. Please ensure that they are kept away from small children.
- This product is designed for home use and is not intended for commercial use.

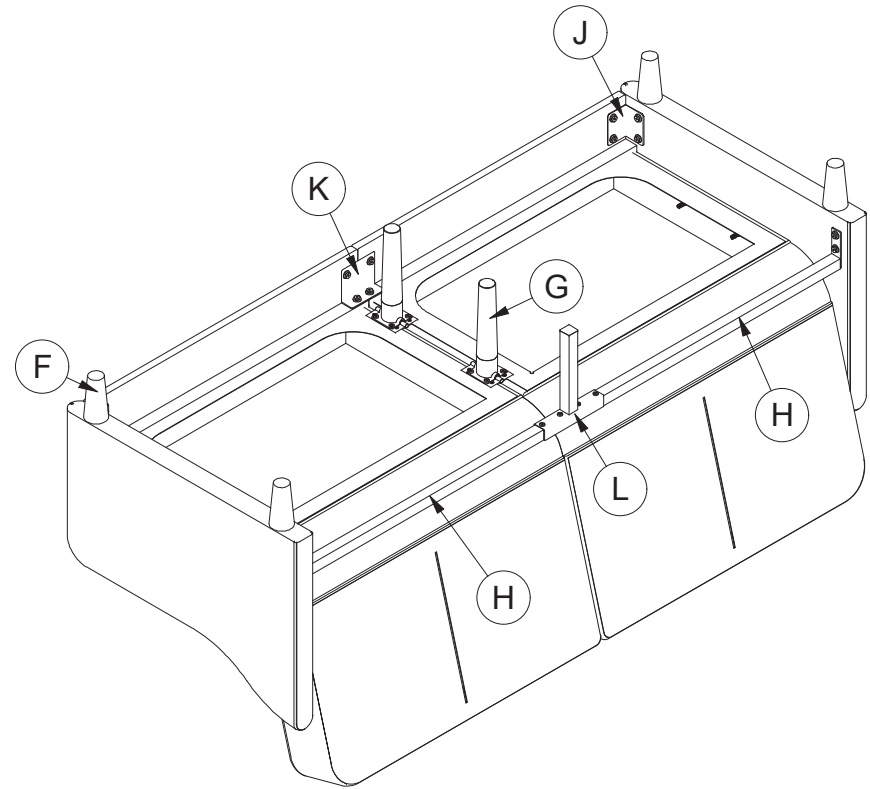
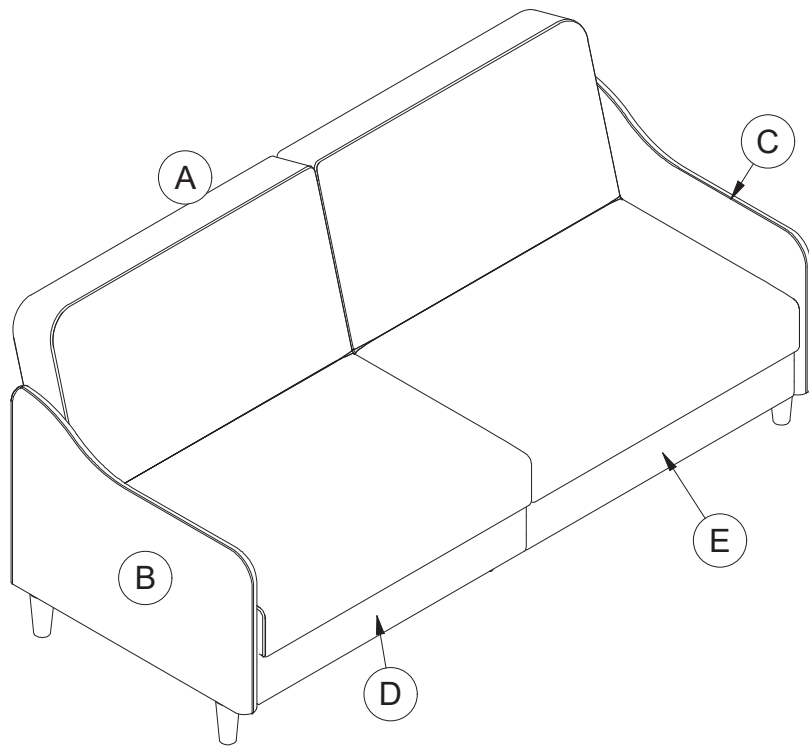


Do Not Use  
Power Tools

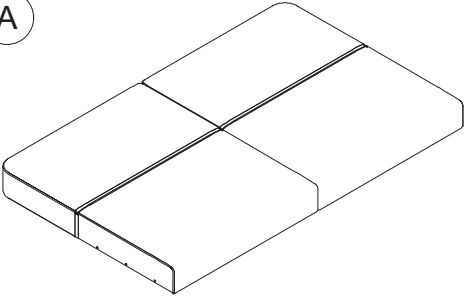
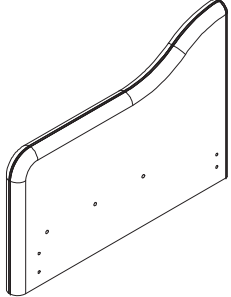
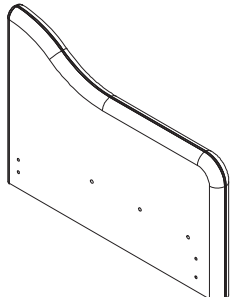
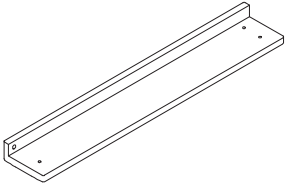
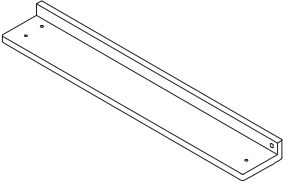
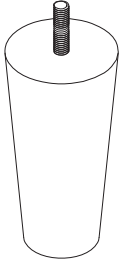
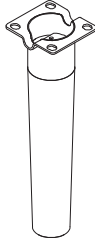
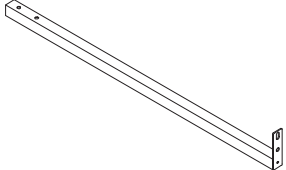
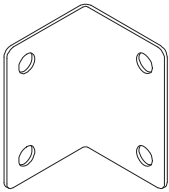
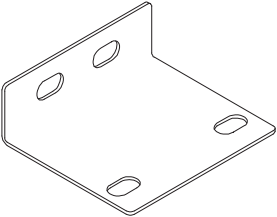
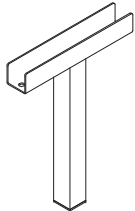
This product is packaged in  
**1 carton**



# PARTS



# PARTS LIST


|  |  |  |   |
|--|--|--|---|
|    |   |   |  |
| <p>Seat<br/>1 PC</p>   | <p>Arm<br/>1 PC</p>  | <p>Arm<br/>1 PC</p>  | <p>Bar<br/>1 PC</p>   |
|   |   |   |  |
| <p>Bar<br/>1 PC</p>  | <p>Leg<br/>4 PCS</p>   | <p>Middle Leg<br/>2 PCS</p>  | <p>Rail<br/>2 PCS</p>   |
|  |  |  |   |
| <p>Bracket<br/>2 PCS</p>   | <p>Connector<br/>1 PC</p>  | <p>Rear Leg<br/>1 PC</p>   |   |


**!** Each part has unique part number. Please reference the appropriate part number when contacting customer service for replacement parts.

**!** Before throwing any packaging, please verify all contents and make sure you have received all the parts listed above!

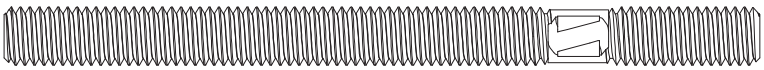
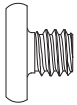
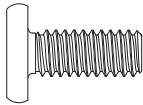
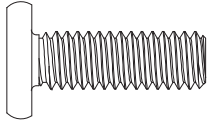
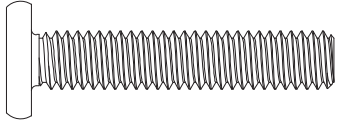
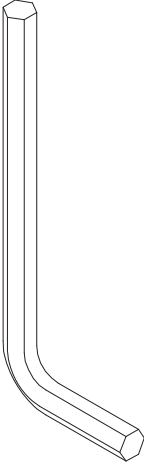

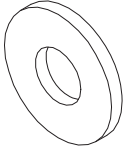

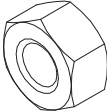
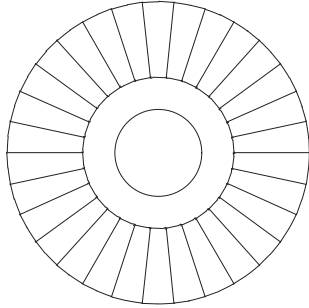
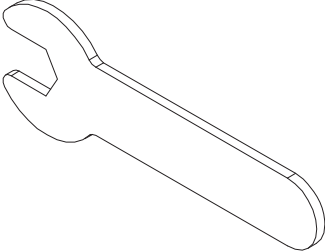
| PART NUMBERS |                                 |                                 |                                 |                                |                           |                         |                         |
|--------------|---------------------------------|---------------------------------|---------------------------------|--------------------------------|---------------------------|-------------------------|-------------------------|
| PART LABELS  | 2148009<br>(Black Faux Leather) | 2148109<br>(White Faux Leather) | 2148309<br>(Camel Faux Leather) | 2148409<br>(Gray Faux Leather) | 2148329<br>(Yellow Linen) | 2148429<br>(Gray Linen) | 2148629<br>(Blue Linen) |
| B            | T638720                         | T638760                         | T501120                         | T638800                        | T628100                   | T618610                 | T628140                 |
| C            | T638730                         | T638770                         | T501130                         | T638810                        | T628110                   | T618620                 | T628150                 |
| D            | T638740                         | T638780                         | T501140                         | T638820                        | T628120                   | T618630                 | T628160                 |
| E            | T638750                         | T638790                         | T501150                         | T638830                        | T628130                   | T618640                 | T628170                 |
| F            | T638660                         | T638660                         | T638660                         | T638660                        | T638660                   | T638660                 | T638660                 |
| G            | T638670                         | T638670                         | T638670                         | T638670                        | T638670                   | T638670                 | T638670                 |
| H            | T638680                         | T638680                         | T638680                         | T638680                        | T638680                   | T638680                 | T638680                 |
| J            | T638690                         | T638690                         | T638690                         | T638690                        | T638690                   | T638690                 | T638690                 |
| K            | T638700                         | T638700                         | T638700                         | T638700                        | T638700                   | T638700                 | T638700                 |
| L            | T638710                         | T638710                         | T638710                         | T638710                        | T638710                   | T638710                 | T638710                 |

| PART NUMBERS |                           |                               |                          |
|--------------|---------------------------|-------------------------------|--------------------------|
| PART LABELS  | 2148729<br>(Orange Linen) | 2148829<br>(Light Gray Linen) | 2148929<br>(Green Linen) |
| B            | T628180                   | T628220                       | T628260                  |
| C            | T628190                   | T628230                       | T628270                  |
| D            | T628200                   | T628240                       | T628280                  |
| E            | T628210                   | T628250                       | T628290                  |
| F            | T638660                   | T638660                       | T638660                  |
| G            | T638670                   | T638670                       | T638670                  |
| H            | T638680                   | T638680                       | T638680                  |
| J            | T638690                   | T638690                       | T638690                  |
| K            | T638700                   | T638700                       | T638700                  |
| L            | T638710                   | T638710                       | T638710                  |

 Each part has unique part number. Please reference the appropriate part number when contacting customer service for replacement parts.


 Before throwing any packaging, please verify all contents and make sure you have received all the parts listed above!


# HARDWARE LIST

|  |  |   |   |   |   |   |
|--|--|---|---|---|---|---|
|   |  |  |  |  |   |   |
| <p>5/16" X 3 15/16"<br/>Bolt<br/>6 PCS</p>   | <p>M6 X 6mm<br/>Bolt<br/>8 PCS</p>   | <p>M6 X 15mm<br/>Bolt<br/>4 PCS</p>   | <p>5/16" X 9/10"<br/>Bolt<br/>14 PCS</p>  | <p>5/16" X 1 11/20"<br/>Bolt<br/>2 PCS</p>  |   |   |
|  |  |    |   |  |  |  |
| <p>5mm<br/>L-Allen Key<br/>1 PC</p>  | <p>4mm<br/>L-Allen Key<br/>1 PC</p>  | <p>5/16"<br/>Washer<br/>22 PCS</p>  | <p>5/16"<br/>Spring Washer<br/>22 PCS</p>   | <p>5/16"<br/>Nut<br/>6 PCS</p>  | <p>M8<br/>Plastic Washer<br/>4 PCS</p>  | <p>Wrench<br/>1 PC</p>  |

## Hardware Pack

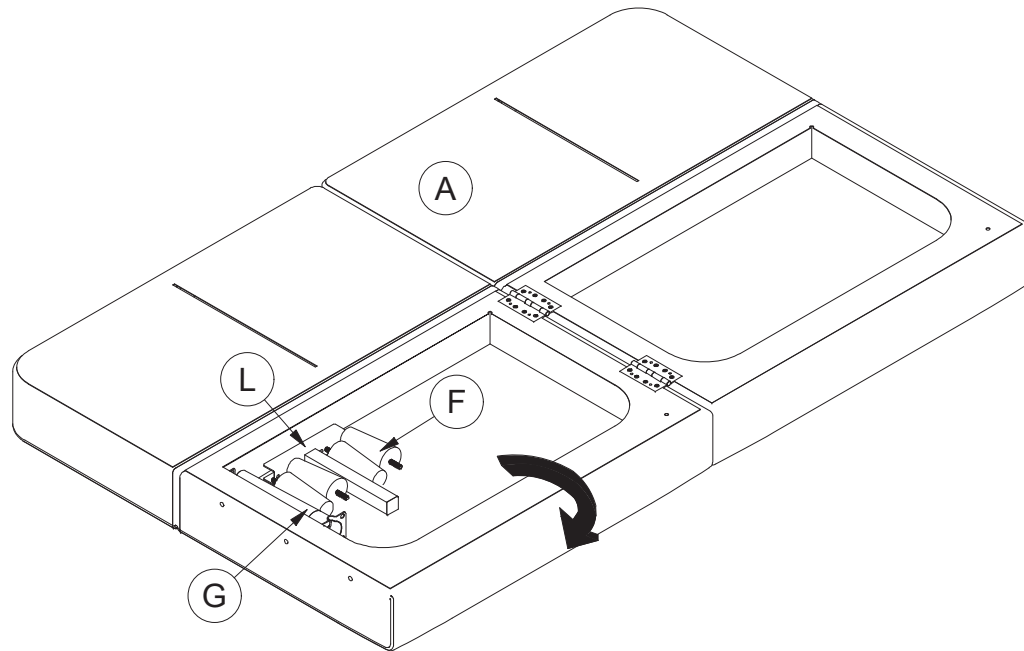
HP#: T2148429-00

 Please do not completely tighten all the hardware, until the entire assembly is complete, unless otherwise indicated in the step-by-step instructions.

 The screw(s), bolt(s) to be used at each step are shown in actual size in the lower right corner of the page.

# Step 1

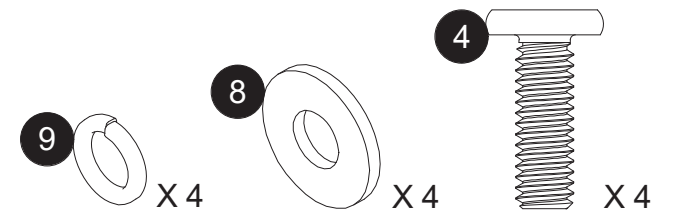
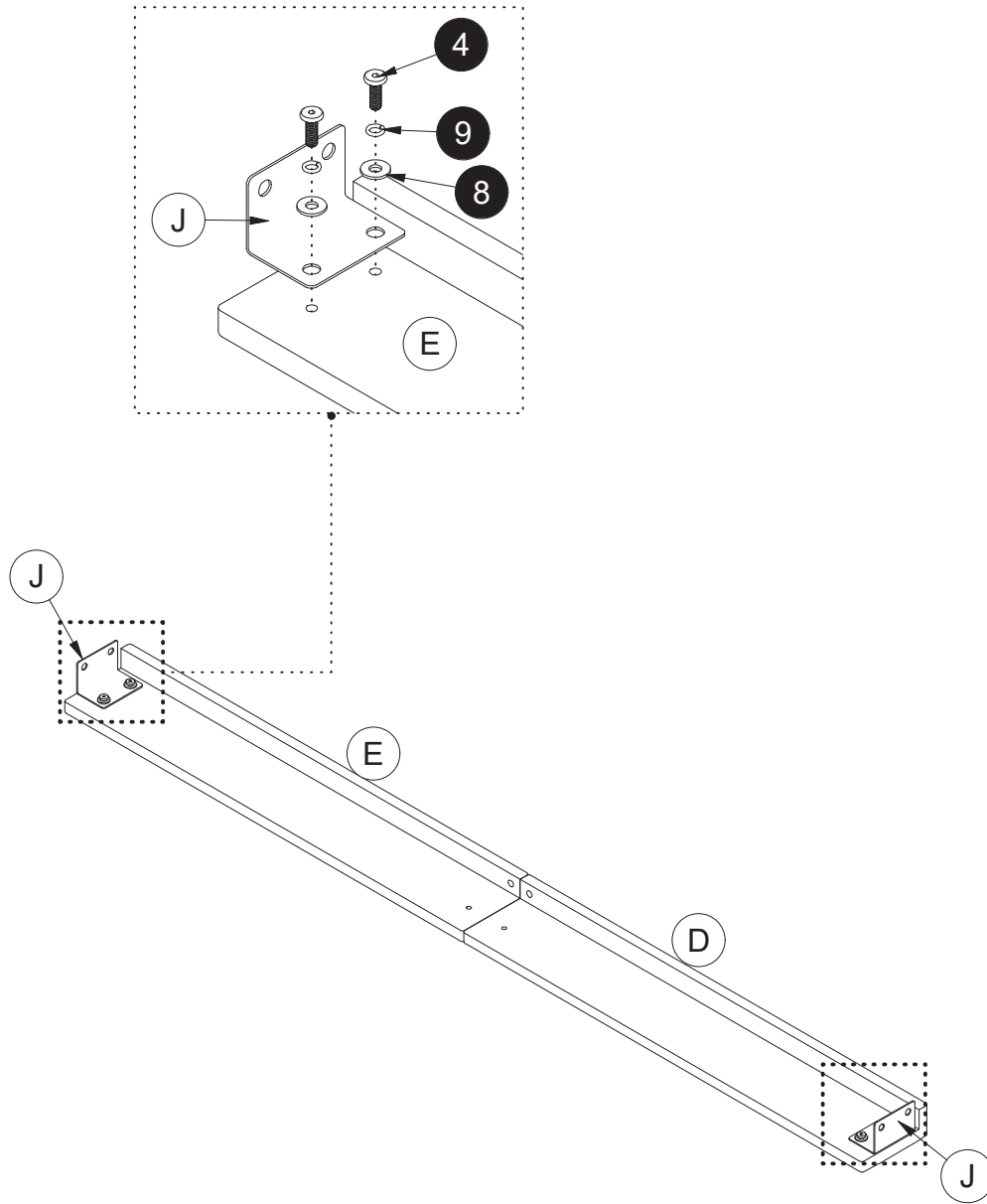
Take out components contained in the compartment of seat **A** as shown.



**!** Legs and Hardware will be found in the compartment under the seat as shown.

# Step 2

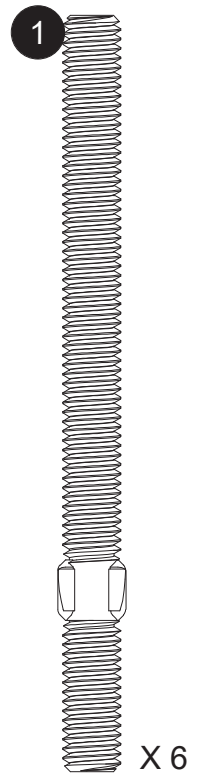
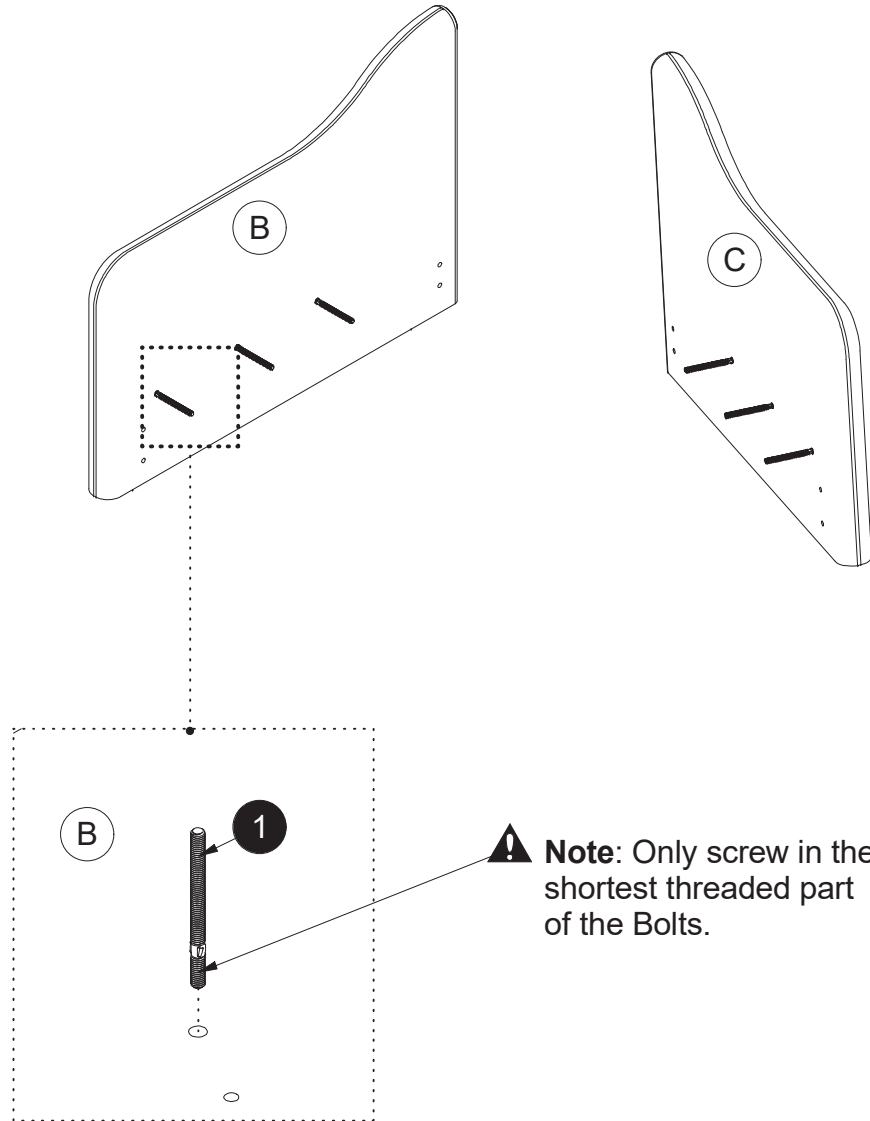
Attach bracket **J** x 2 to bar **D** & **E** with bolts **4**, washers **8**, spring washers **9**.





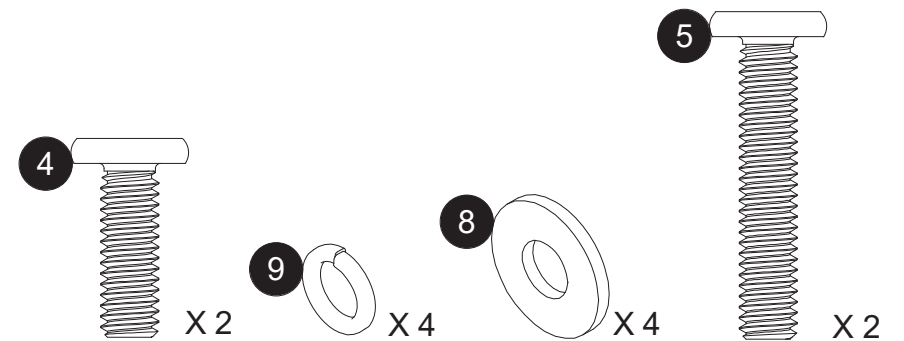
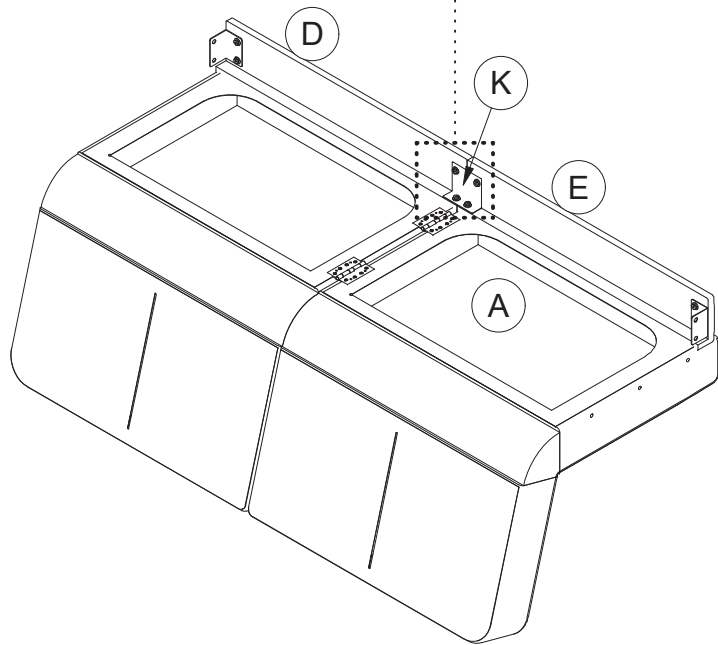
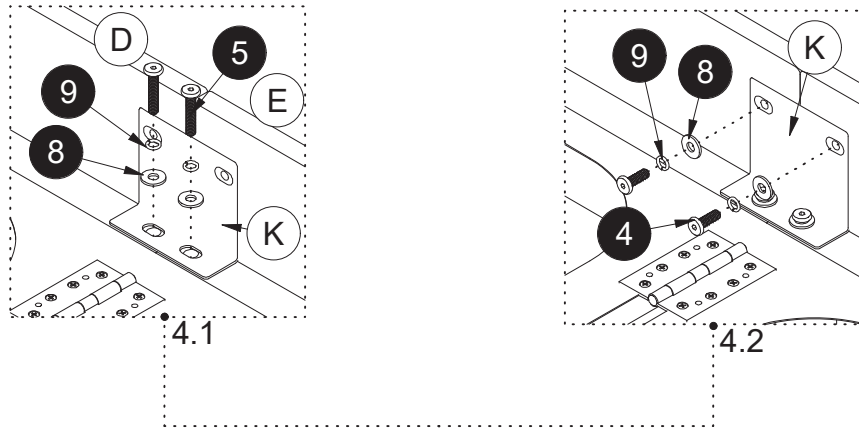
# Step 3

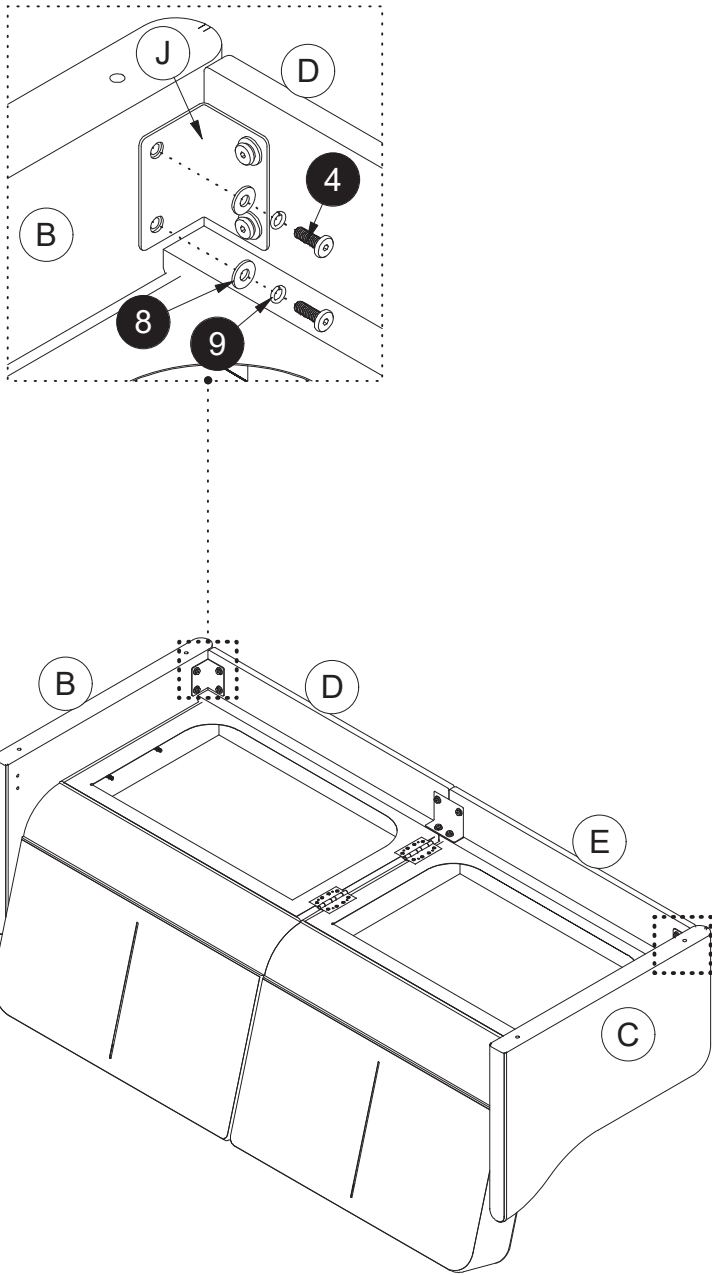
Hand tighten bolts **1** X 6 into arm **B** & **C**.



# Step 4

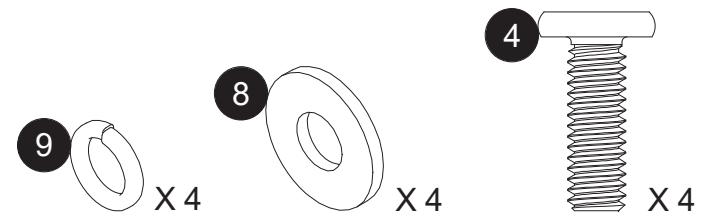
- 4.1 Attach connector **K** to bar **D** & **E** with bolts **5**, washers **8**, spring washers **9**.
- 4.2 Attach connector **K** to bar **D** & **E** with bolts **4**, washers **8**, spring washers **9**.





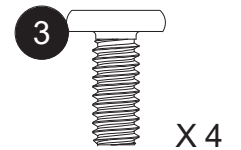
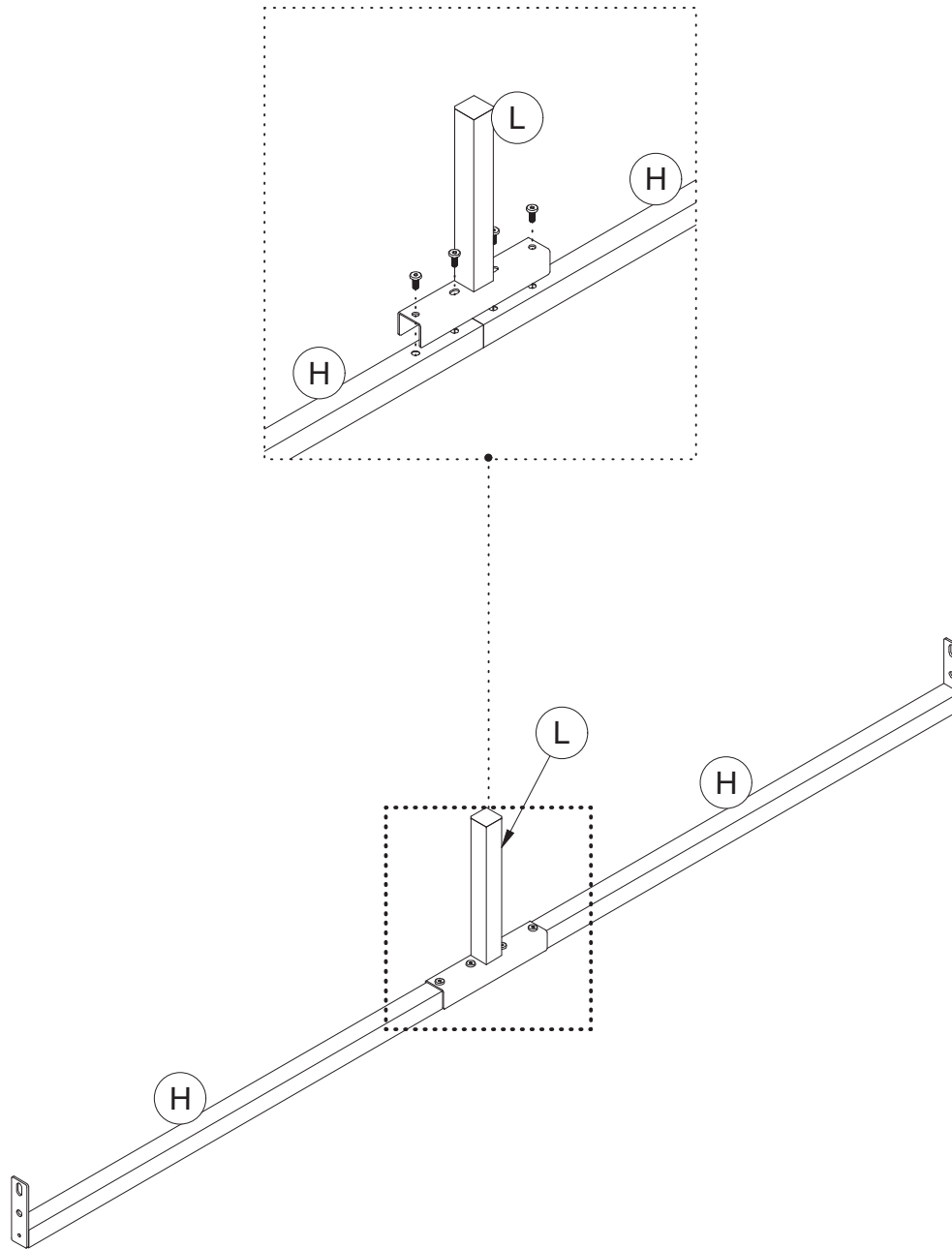
# Step 5

Attach bracket **J** x 2 to arm **B** & **C** with bolts **4**, washers **8**, spring washers **9**, as shown.



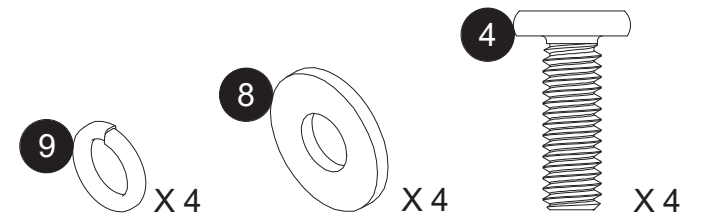
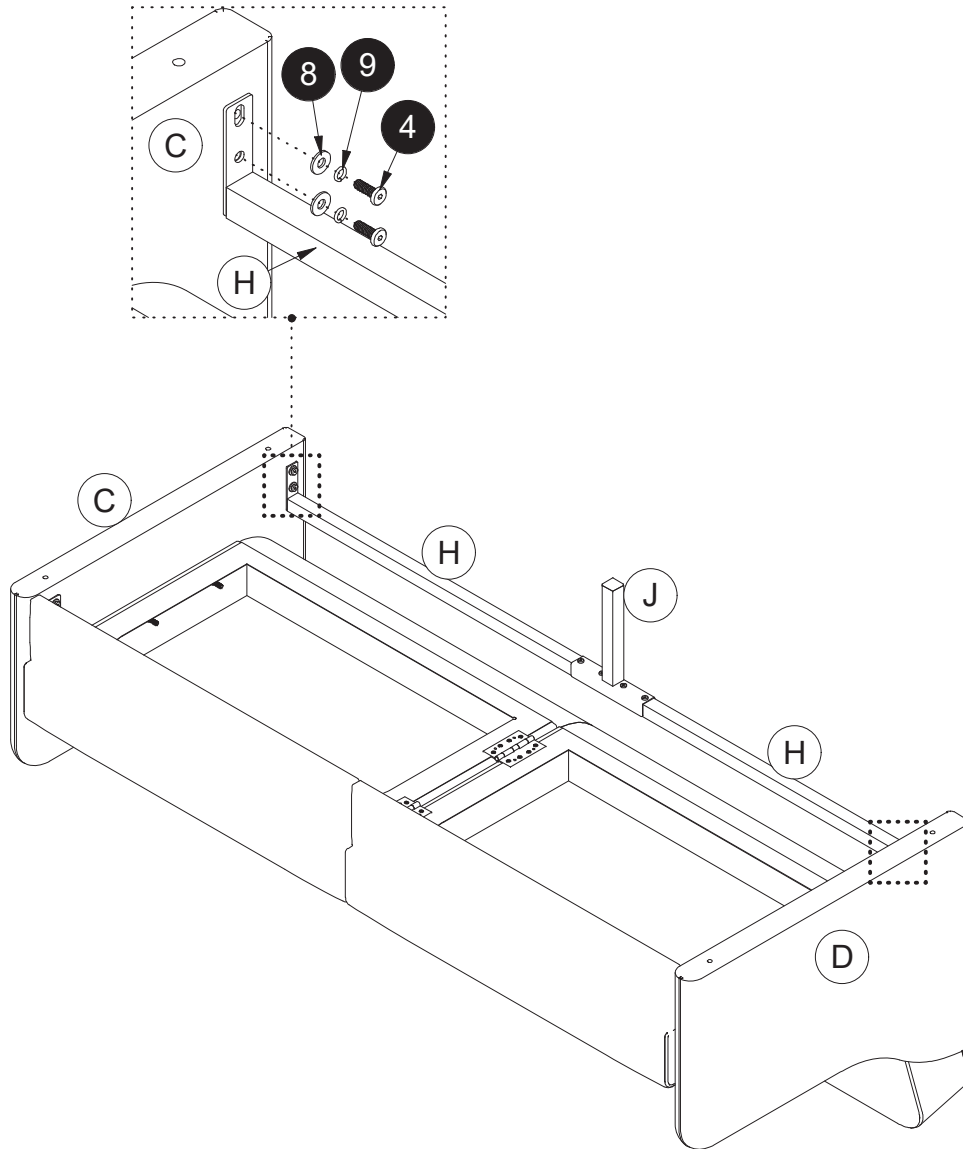
# Step 6

Attach rail **H** x 2 to rear leg **L** with bolts **3**, as shown.



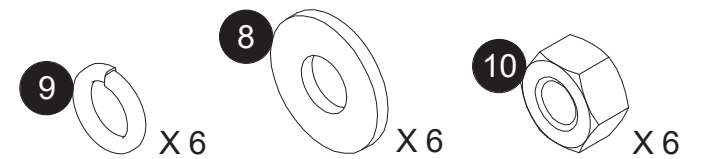
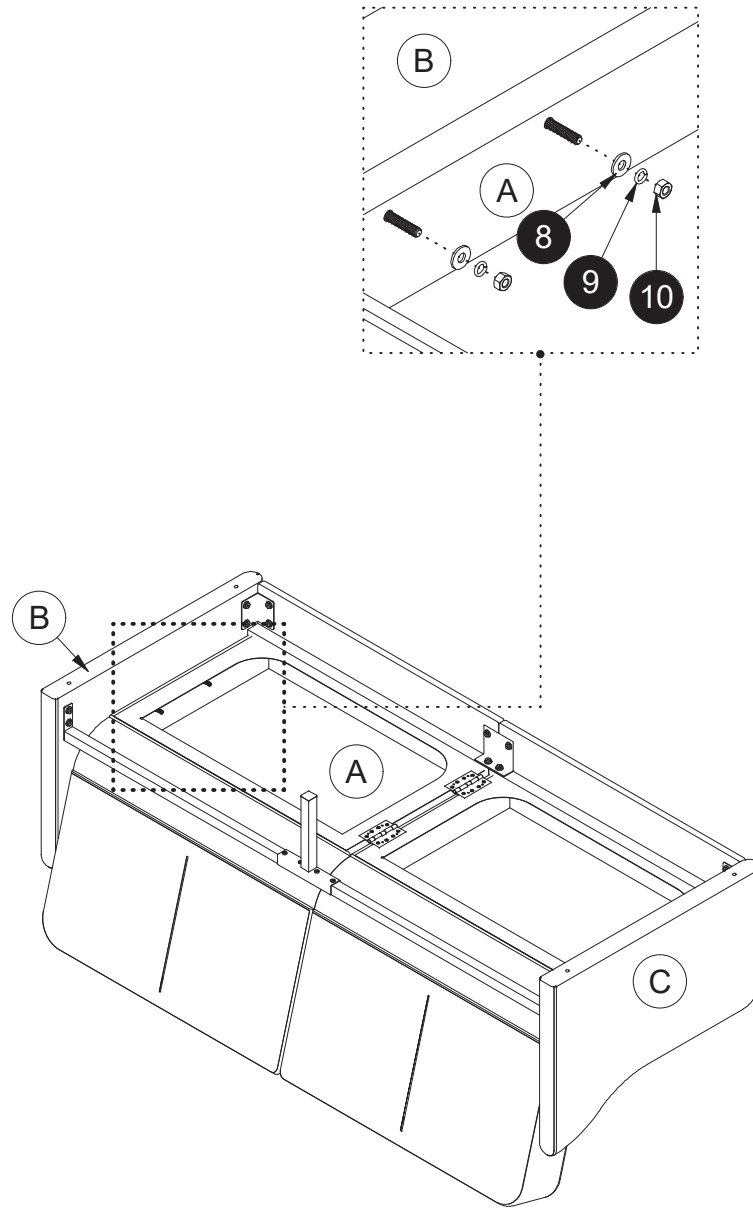
# Step 7

Attach rail **H** to arm **B** & **C** with bolts **4**, washers **8**, spring washers **9**, as shown.



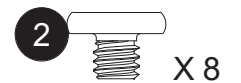
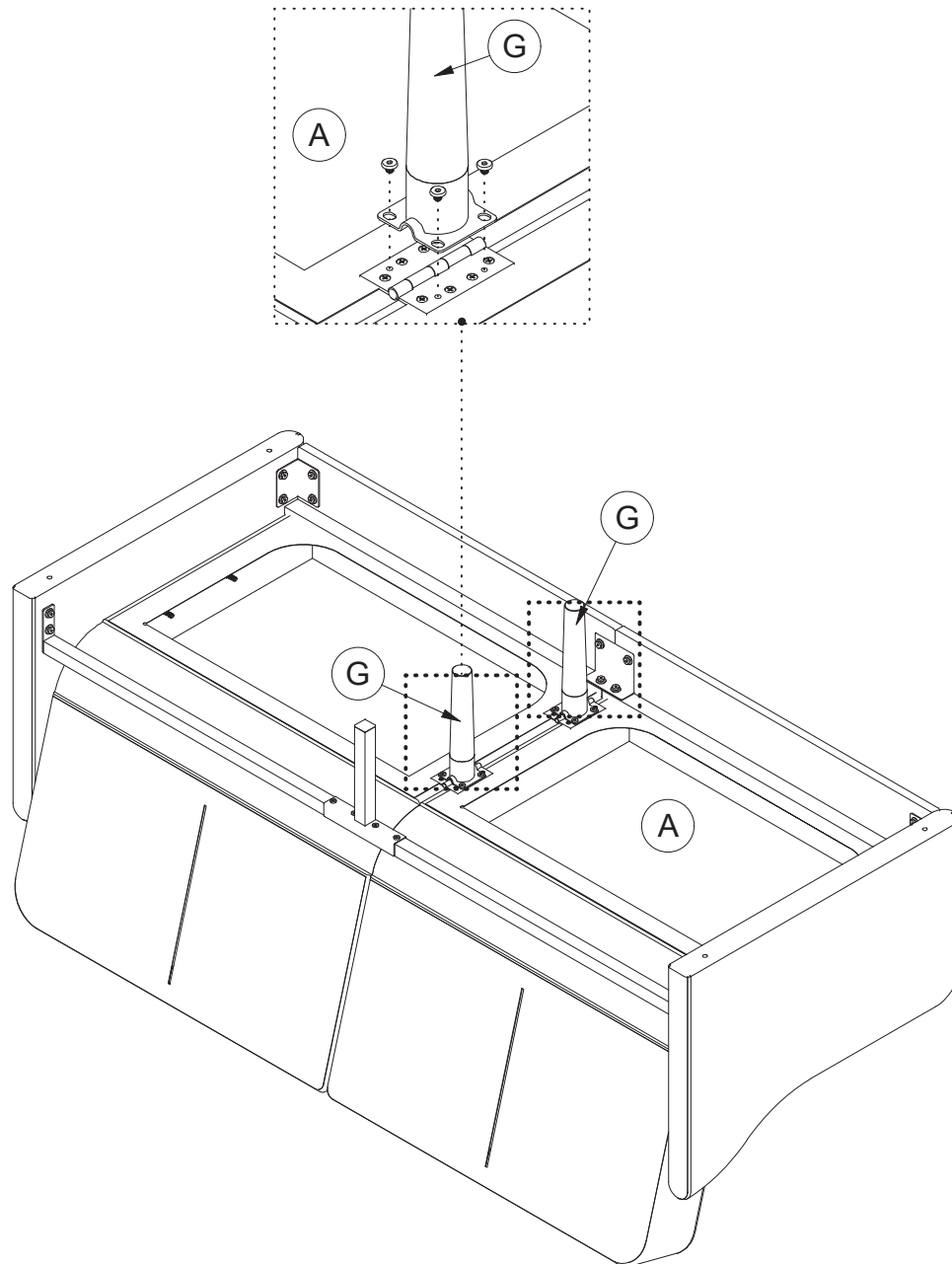
# Step 8

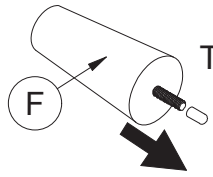
Attach arm **B** & **C** to seat **A** with washers **8**, spring washers **9**, nuts **10**, as shown.



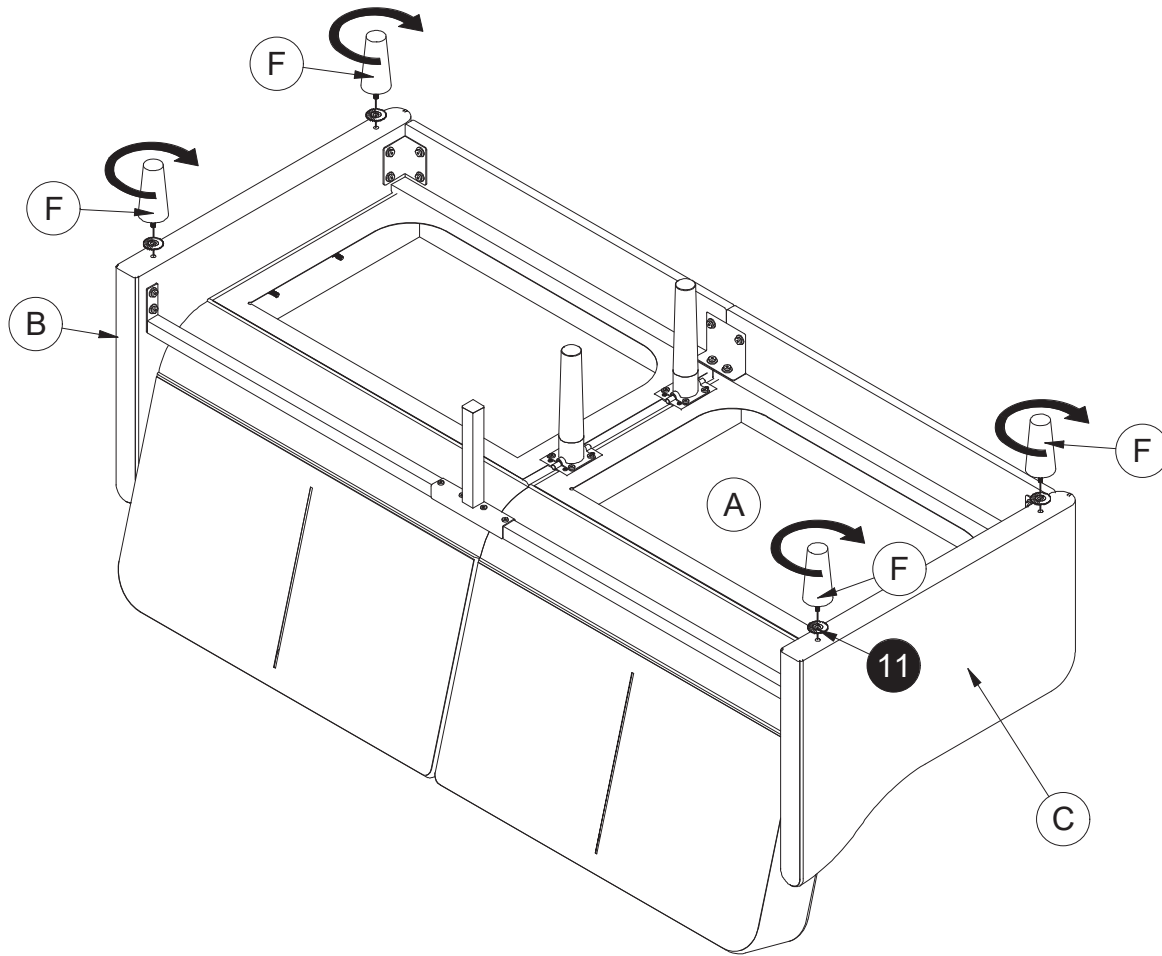
# Step 9

Attach middle leg **G** x 2 to seat **A** with bolts **2**, as shown.



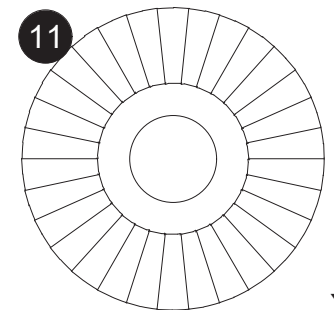


Take off the caps from **F**.



# Step 10

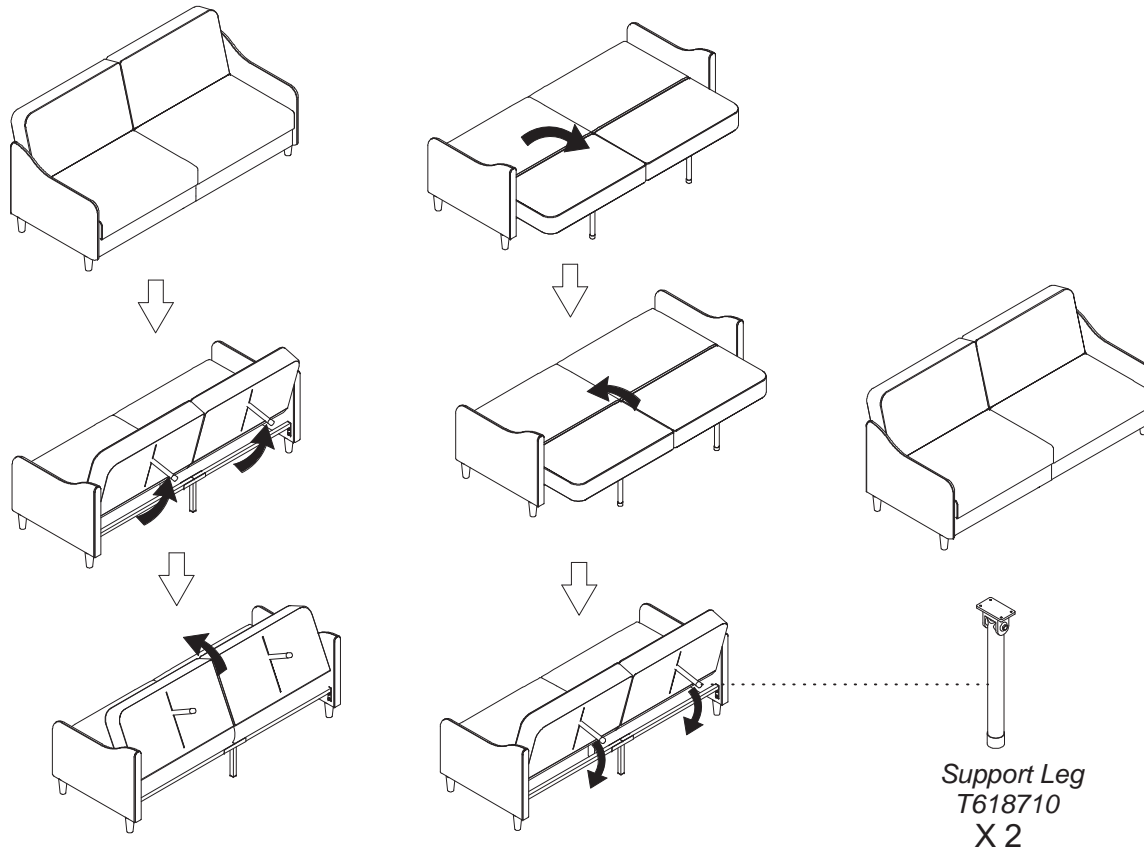
Attach leg **F** x 4 to arm **B** & **C** with plastic washers **11**, as shown.



X 4



**⚠ CAUTION:** This unit is intended for use only with the products and/or maximum weights indicated. Use with other products and/or products heavier than the maximum weights indicated may result in instability or cause possible injury.



**⚠** Weight Limit: 600 Lb / 272 Kg

## Helpful Hints

- Move your new furniture carefully, with two people lifting and carrying the unit to its new location.
- Your furniture can be disassembled and reassembled to move.
- Clean the product with a soft damp cloth. DO NOT use harsh chemicals or abrasive cleaners.
- Some parts have been pre-assembled for this item. They are illustrated on this page and available for replacement.
- Check bolts and nuts periodically and tighten if necessary.

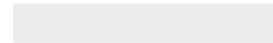
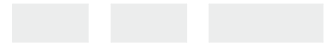
That's it ! You've finished assembling your **Coil Futon** !

2148009(Cuero de imitación Negro),  
2148109(Cuero de imitación Blanco),  
2148309(Cuero de imitación Ocre), 2148409(Cuero de imitación Gris),  
2148329(Lino Amarillo), 2148429(Lino Gris), 2148629(Lino Azul),  
2148729(Lino Anaranjado), 2148829(Lino Gris claro),  
2148929(Lino Verde)

## Futón de Resortes

Fecha de compra

Número de lote



¡Gracias por tu compra DHP !

## Información sobre la garantía

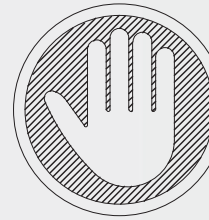
DHP garantiza que este producto está libre de defectos de material y de fabricación, comprometiéndose a corregirlos en caso de ser hallados. Esta garantía es válida por un año a partir de la fecha de compra original. Esta se limita únicamente a la reparación o reemplazo de partes defectuosas (no incluye la mano de obra).

Esta garantía no aplica para productos que hayan sido ensamblados incorrectamente, sujetos a algún tipo de maltrato o abuso, alteración o reparación. Responsabilidad por daños consecuentes está excluida en la medida de exclusión permitida por la ley. Esta garantía le brinda derechos legales e igualmente es posible que usted tenga otros derechos, los cuales pueden variar de Estado a Estado y de provincia a provincia.

Para obtener el servicio de garantía, debe presentar la factura original de su compra. Los componentes reparados o reemplazados están garantizados durante el periodo original de la garantía. Las partes defectuosas serán reparadas o reemplazadas sin cargo extra y sujetas a los términos y condiciones descritos anteriormente. Visite [www.dhpfurniture.com](http://www.dhpfurniture.com) para ver la garantía limitada válida en E.U. y Canadá.

## Precauciones

- Este producto está diseñado para uso doméstico y no para uso comercial.
- **ADVERTENCIA PARA NIÑOS PEQUEÑOS** - Este producto contiene componentes pequeños. Por favor asegúrese de que las piezas estén fuera del alcance de los niños.
- No utilice herramientas eléctricas para ensamblar su mueble. Este tipo de herramientas pueden rasgar o dañar las partes.



Preguntas, inquietudes, partes que faltan? **CONTACTE NUESTRO DEPARTAMENTO DE SERVICIO AL CLIENTE ANTES DE DEVOLVER EL PRODUCTO A LA TIENDA.**

Si le faltan piezas o las que se incluyen están dañadas, con mucho gusto le enviaremos sus piezas de reemplazo sin cargo extra.

Visite [www.dhpfurniture.com/spa/replacement-parts](http://www.dhpfurniture.com/spa/replacement-parts) , llame gratis al **1-800-267-1739** o chatea con nosotros al [www.dhpfurniture.com](http://www.dhpfurniture.com)



ESTE INSTRUCTIVO CONTIENE INFORMACION **IMPORTANTE** DE SEGURIDAD. POR FAVOR LEA Y GUARDE PARA SU REFERENCIA FUTURA.

## Lea antes de comenzar a ensamblar

- Llame a nuestro número gratuito si necesita asistencia.
- Trabaje en un área espaciosa y cerca de donde su producto será utilizado, preferiblemente sobre una alfombra o utilice el cartón del empaque para proteger su piso y su producto.
- **El número de personas recomendadas para el montaje de este producto es: 2** (sin embargo es recomendable contar con ayuda adicional).
- **Tiempo estimado de ensamble es 0.5 hora.**
- Asegúrese de que todas las partes están incluidas. La mayoría de las partes están etiquetadas o selladas en los bordes.
- Lea cada paso cuidadosamente. Es muy importante que cada paso de las instrucciones sea realizado en el orden correcto. Si estos pasos no se siguen en secuencia, pueden ocurrir dificultades durante el ensamblado.

## ¡Contáctenos !


Para solicitar ayuda con el ensamblaje, identificación de partes, información del producto o simplemente ordenar otras partes, diríjase a:


- Chatea con nosotros : [www.dhpfurniture.com](http://www.dhpfurniture.com)
- [cs@dhpfurniture.com](mailto:cs@dhpfurniture.com)
- 1-800-267-1739
- Lunes - Viernes / **9 am - 9 pm** (hora del este)  
Sábado / **10 am - 6:30 pm** (hora del este)  
Domingo / **11 am - 7 pm** (hora del este)
- DHP Servicios al Cliente  
12345 Albert Hudon, Suite 100, Montreal, Quebec, Canada, H1G 3L1

# Partes

Piezas de reemplazo, visite [www.dhpfurniture.com/spa/replacement-parts](http://www.dhpfurniture.com/spa/replacement-parts)


**IMPORTANTE:** La lista de números de piezas que aparece a continuación es exclusiva de su producto. Por favor, manténgalo a mano cuando solicite piezas de repuesto.


 *Todo se incluye en 1 caja(s) grande(s)!*

 *Antes de deshacerse de las cajas de cartón, asegúrese de que estén vacías. También confirme que ha recibido todos los componentes necesarios para el ensamblaje al compararlos con la tabla de piezas indicadas en la sección en inglés.*

# Paquete de componentes

 # de Paquete : **T2148429-00**

 **Nota:** Por favor no apriete completamente los pernos hasta que el ensamblaje sea completado, a menos de que se indique específicamente en cada paso de las instrucciones.

 Los tornillo(s), perno(s) que se utilizan en cada paso se muestran en tamaño real en la esquina inferior derecha de cada página.

| NÚMERO DE PIEZA     |                |                                       |  |                                      |                                      |                            |                        |                        |
|---------------------|----------------|---------------------------------------|--|--------------------------------------|--------------------------------------|----------------------------|------------------------|------------------------|
| Etiquetas de piezas | DESCRIPCIÓN    | 2148009<br>(Cuero de imitación Negro) | 2148109<br>(Cuero de imitación Blanco) | 2148309<br>(Cuero de imitación Ocre) | 2148409<br>(Cuero de imitación Gris) | 2148329<br>(Lino Amarillo) | 2148429<br>(Lino Gris) | 2148629<br>(Lino Azul) |
| B                   | Brazo          | T638720                               | T638760                                | T501120                              | T638800                              | T628100                    | T618610                | T628140                |
| C                   | Brazo          | T638730                               | T638770                                | T501130                              | T638810                              | T628110                    | T618620                | T628150                |
| D                   | Bar            | T638740                               | T638780                                | T501140                              | T638820                              | T628120                    | T618630                | T628160                |
| E                   | Bar            | T638750                               | T638790                                | T501150                              | T638830                              | T628130                    | T618640                | T628170                |
| F                   | Pie            | T638660                               | T638660                                | T638660                              | T638660                              | T638660                    | T638660                | T638660                |
| G                   | Pierna Media   | T638670                               | T638670                                | T638670                              | T638670                              | T638670                    | T638670                | T638670                |
| H                   | Riel           | T638680                               | T638680                                | T638680                              | T638680                              | T638680                    | T638680                | T638680                |
| J                   | Soporte        | T638690                               | T638690                                | T638690                              | T638690                              | T638690                    | T638690                | T638690                |
| K                   | Conector       | T638700                               | T638700                                | T638700                              | T638700                              | T638700                    | T638700                | T638700                |
| L                   | Pierna trasera | T638710                               | T638710                                | T638710                              | T638710                              | T638710                    | T638710                | T638710                |

| Etiquetas de piezas | DESCRIPCIÓN    | 2148729(Lino Anaranjado) | 2148829(Lino Gris claro) | 2148929(Lino Verde) |
|---------------------|----------------|--------------------------|--------------------------|---------------------|
| B                   | Brazo          | T628180                  | T628220                  | T628260             |
| C                   | Brazo          | T628190                  | T628230                  | T628270             |
| D                   | Bar            | T628200                  | T628240                  | T628280             |
| E                   | Bar            | T628210                  | T628250                  | T628290             |
| F                   | Pie            | T638660                  | T638660                  | T638660             |
| G                   | Pierna Media   | T638670                  | T638670                  | T638670             |
| H                   | Riel           | T638680                  | T638680                  | T638680             |
| J                   | Soporte        | T638690                  | T638690                  | T638690             |
| K                   | Conector       | T638700                  | T638700                  | T638700             |
| L                   | Pierna trasera | T638710                  | T638710                  | T638710             |

# Instrucciones

## Paso 1

Abra las cremalleras, retire todos los componentes contenidos en el compartimento **A**, cierre las cremalleras.

Nota: los reposabrazos están en el compartimento debajo del asiento, como se muestra.

## Paso 2

Una **J** x 2 con **D** & **E** con **4**, **8**, **9**.

## Paso 3

Apriete a mano los tornillos **1** x 6 lo máximo posible en **B** y **C**.

Nota: Apriete solo la parte roscada corta de los pernos.

## Paso 4

4.1 Una **K** con **D** & **E** con **5**, **8**, **9**.

4.2 Una **K** con **D** & **E** con **4**, **8**, **9**.

## Paso 5

Una **J** x 2 con **B** & **C** con **4**, **8**, **9**, como se muestra a continuación.

## Paso 6

Una **H** x 2 con **L** con los **3**, como se muestra a continuación.

## Paso 7

Una **H** con **B** & **C** con el **4**, **8**, **9**.

## Paso 8

Una **B** y **C** con **A** con **8**, **9**, **10**, como se muestra a continuación.

## Paso 9

Una **G** x 2 con **A** con **2**, como se muestra a continuación.

## Paso 10

Una **F** x 4 con **B** y **C** con **11**, como se muestra a continuación.

Nota: Retire la protección que se encuentra en la parte roscada de **F**.

 Límites de peso: 600 Lb / 272 Kg

## Consejos útiles

- Mueva sus muebles nuevos con cuidado, se requiere de dos personas para levantar y trasladar su producto a su nueva ubicación.
- Sus muebles se pueden desmontar y volver a ensamblar en caso de mudanza.
- Limpie el producto con un paño suave. NO utilice productos químicos o abrasivos de limpieza.
- Revise los tornillos y tuercas periódicamente y apriételos si es necesario.
- Algunas partes han sido pre-ensambladas en este producto. Se encuentran ilustradas en esta página y disponibles para reemplazo (sección en inglés).

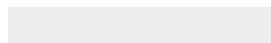
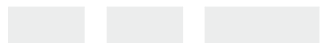
## PRECAUCIÓN

- Esta unidad está diseñada para ser utilizada únicamente con los productos y/o pesos máximos indicados. Su uso con otros productos y/o productos más pesados que los pesos máximos indicados puede provocar inestabilidad o causar lesiones.

**2148009(Faux cuir Noir), 2148109(Faux cuir Blanc),  
2148309(Faux cuir Ocre), 2148409(Faux cuir Gris),  
2148329(Lin Jaune), 2148429(Lin Gris),  
2148629(Lin Bleu), 2148729(Lin Orange),  
2148829(Lin Gris clair), 2148929(Lin Vert)  
Futon à ressorts**

Date d'achat

Numero de lot



**Merci d'avoir acheté un produit DHP !**

## Informations sur la garantie

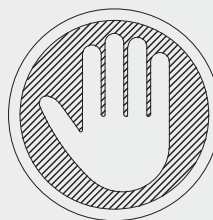
DHP garantit que ce produit est exempt de tout vice de matériaux et de fabrication et s'engage à remédier à un tel défaut. Cette garantie est valable un an à compter de la date d'achat initiale. Elle se limite uniquement à la réparation ou au remplacement des pièces défectueuses. La main-d'oeuvre nécessaire à l'assemblage n'est pas incluse.

Cette garantie ne s'applique pas aux produits qui ont été mal assemblés, qui ont été soumis à une utilisation abusive ou qui ont subi des modifications ou des réparations. Cette garantie vous confère des droits spécifiques légaux. Il se peut que vous bénéficiiez de droits additionnels car ceux-ci peuvent varier selon l'État ou la province.

Pour bénéficier du service de garantie, l'acheteur doit présenter la facture originale. Les composants réparés ou remplacés sont garantis jusqu'à la fin de la période de la garantie initiale uniquement. Les composants défectueux seront réparés ou remplacés sans frais, sous réserve des conditions décrites ci-dessus. Visitez [www.dhpfurniture.com](http://www.dhpfurniture.com) pour visionner la garantie limitée valide aux États-Unis et au Canada.

## Précautions

- Ce produit est conçu pour un usage domestique et n'est pas destiné à des fins commerciales.
- **AVERTISSEMENT CONCERNANT LES JEUNES ENFANTS:** Ce produit contient des petits composants. S'il vous plaît assurez-vous qu'ils soient gardés loin d'eux.
- Ne pas utiliser d'outils électriques pour assembler votre mobilier. Ce type d'outils risque d'endommager les pièces.



**Des questions, des préoccupations ou des pièces manquantes? CONTACTEZ NOTRE SERVICE À LA CLIENTÈLE AVANT DE RETOURNER LE PRODUIT AU DÉTAILLANT.**

Si des pièces sont manquantes ou endommagées, nous expédierons volontiers vos pièces de rechange gratuitement.

Visitez [www.dhpfurniture.com/eng/replacement-parts](http://www.dhpfurniture.com/eng/replacement-parts), appelez sans frais au **1-800-267-1739** ou clavardez avec nous au [www.dhpfurniture.com](http://www.dhpfurniture.com).



**CE FEUILLET CONTIENT DES INFORMATIONS DE SÉCURITÉ IMPORTANTES. S'IL VOUS PLAÎT LIRE ET CONSERVER POUR RÉFÉRENCE ULTÉRIEURE.**

## Avant de commencer l'assemblage

- Si vous avez besoin d'aide, appelez notre service à la clientèle sans frais.
- Travaillez dans un endroit spacieux et près du lieu où l'unité sera utilisée, préférablement sur un tapis, ou sur un morceau de l'emballage, afin de protéger le plancher et le produit.
- **Nombre de personnes recommandées pour l'assemblage : 2** (cependant il est toujours préférable d'être assisté par une personne supplémentaire).
- **Temps d'assemblage estimé : 0.5 heure.**
- Assurez-vous d'avoir bien reçu toutes les pièces. La plupart de celles-ci sont étiquetées ou estampées sur leur côté non fini.
- Lire attentivement chaque étape avant de débiter. Il est très important que chaque étape de montage soit exécutée dans le bon ordre, sinon vous risquez d'éprouver de la difficulté à assembler votre meuble.

## Contactez-nous!

Besoin d'aide pour assembler, identifier des pièces, vous informer sur le produit, ou pour commander des pièces? Contactez-nous :


- Clavardez avec nous : [www.dhpfurniture.com](http://www.dhpfurniture.com)
- [cs@dhpfurniture.com](mailto:cs@dhpfurniture.com)
- 1-800-267-1739  
Lundi - Vendredi / **9 am - 9 pm** (Heure de l'Est)  
Samedi / **10 am - 6:30 pm** (Heure de l'Est)  
Dimanche / **11 am - 7 pm** (Heure de l'Est)
- DHP Service à la Clientèle  
12345 Albert Hudon, Suite 100, Montréal, Québec, Canada, H1G 3L1

# Pièces

Pour des pièces de rechange, visitez [www.dhpfurniture.com/fre/replacement-parts](http://www.dhpfurniture.com/fre/replacement-parts)


**IMPORTANT:** La liste des références ci-dessous est propre à votre produit. Veuillez l'avoir sous la main lorsque vous appelez pour des pièces de rechange.


 **Tout dans 1 grande(s) boîte(s)!**

 **Avant de jeter les boîtes en carton, assurez-vous qu'elles soient vides. Vérifiez que vous avez reçu tous les composants nécessaires à l'assemblage en les comparant avec le tableau des pièces (illustrations disponibles dans la section en anglais).**

# Quincaillerie

 # de paquet : **T2148429-00**

 **Remarque:** Sauf indication contraire dans les instructions, ne pas resserrer complètement les vis et les boulons, jusqu'à ce que l'assemblage soit terminé.

 Les vis et boulons utilisés durant chaque étape sont illustrés en taille réelle au coin inférieur droit de la page.

## LISTE DES PIÈCES

| ÉTIQUETTE DES PIÈCES | DESCRIPCIÓN     | 2148009<br>(Faux cuir Noir) | 2148109<br>(Faux cuir Blanc) | 2148309<br>(Faux cuir Ocre) | 2148409<br>(Faux cuir Gris) | 2148329<br>(Lin Jaune) | 2148429<br>(Lin Gris) | 2148629<br>(Lin Bleu) |
|----------------------|-----------------|-----------------------------|------------------------------|-----------------------------|-----------------------------|------------------------|-----------------------|-----------------------|
| B                    | Bras            | T638720                     | T638760                      | T501120                     | T638800                     | T628100                | T618610               | T628140               |
| C                    | Bras            | T638730                     | T638770                      | T501130                     | T638810                     | T628110                | T618620               | T628150               |
| D                    | Bar             | T638740                     | T638780                      | T501140                     | T638820                     | T628120                | T618630               | T628160               |
| E                    | Bar             | T638750                     | T638790                      | T501150                     | T638830                     | T628130                | T618640               | T628170               |
| F                    | Jambe           | T638660                     | T638660                      | T638660                     | T638660                     | T638660                | T638660               | T638660               |
| G                    | Jambe du Milieu | T638670                     | T638670                      | T638670                     | T638670                     | T638670                | T638670               | T638670               |
| H                    | Rail            | T638680                     | T638680                      | T638680                     | T638680                     | T638680                | T638680               | T638680               |
| J                    | Support         | T638690                     | T638690                      | T638690                     | T638690                     | T638690                | T638690               | T638690               |
| K                    | Connecteur      | T638700                     | T638700                      | T638700                     | T638700                     | T638700                | T638700               | T638700               |
| L                    | Jambe arrière   | T638710                     | T638710                      | T638710                     | T638710                     | T638710                | T638710               | T638710               |

| ÉTIQUETTE DES PIÈCES | DESCRIPCIÓN     | 2148729(Lin Orange) | 2148829(Lin Gris clair) | 2148929(Lin Vert) |
|----------------------|-----------------|---------------------|-------------------------|-------------------|
| B                    | Bras            | T628180             | T628220                 | T628260           |
| C                    | Bras            | T628190             | T628230                 | T628270           |
| D                    | Bar             | T628200             | T628240                 | T628280           |
| E                    | Bar             | T628210             | T628250                 | T628290           |
| F                    | Jambe           | T638660             | T638660                 | T638660           |
| G                    | Jambe du Milieu | T638670             | T638670                 | T638670           |
| H                    | Rail            | T638680             | T638680                 | T638680           |
| J                    | Support         | T638690             | T638690                 | T638690           |
| K                    | Connecteur      | T638700             | T638700                 | T638700           |
| L                    | Jambe arrière   | T638710             | T638710                 | T638710           |

# Instructions

## Étape 1

Ouvrez les fermetures éclair, retirez tous les composants contenus dans le compartiment **A**, fermez les fermetures éclair.

Note : Les accoudoirs se trouvent dans le compartiment sous le siège, tel qu'illustré.

## Étape 2

Attacher **J** x 2 à **D** & **E** avec **4**, **8** et **9**.

## Étape 3

Serrez à la main les **1** x 6 vis autant que possible dans **B** et **C**.

Note : Vissez uniquement la partie filetée courte des boulons.

## Étape 4

4.1 Attacher **K** à **D** & **E** avec **5**, **8** et **9**.

4.2 Attacher **K** à **D** & **E** avec **4**, **8** et **9**.

## Étape 5

Attacher **J** x 2 à **B** & **C** avec **4**, **8** et **9**, tel qu'illustré.

## Étape 6

Attacher **H** x 2 à **L** avec **3**, tel qu'illustré.

## Étape 7

Attacher **H** à **B** & **C** avec **4**, **8** et **9**, tel qu'illustré.

## Étape 8

Attacher **B** et **C** à **A** avec **8**, **9** et **10**, tel qu'illustré.


## Étape 9

Attacher **G** x 2 à **A** avec **2**, tel qu'illustré.

## Étape 10

Attacher **F** x 4 à **B** et **C** avec **11**, comme montre ci-dessous.

Note : Enlevez la protection qui se retrouve sur le filetage de la pièce **F**.

 Limite de Poids: 600 Lb / 272 Kg

## Conseils utiles

- Déplacez votre nouveau mobilier avec soin, nous recommandons deux personnes pour soulever et transporter le mobilier vers son nouvel emplacement.
- Votre mobilier peut être démonté et réassemblé pour faciliter les déménagements.
- Pour le nettoyage, utilisez un linge doux et/ou humide. N'UTILISEZ PAS de produits abrasifs ou chimiques.
- Certaines pièces de ce produit ont été pré-assemblées. Elles sont illustrées sur cette page (section en anglais) et elles sont disponibles pour un remplacement.
- Vérifiez les vis et écrous périodiquement et resserrez-les si nécessaire.

## AVERTISSEMENT

- Cette unité est destinée à être utilisée uniquement avec les produits et/ou les poids maximum indiqués. L'utilisation avec d'autres produits et/ou des produits plus lourds que le poids maximum indiqués peut entraîner une instabilité ou provoquer des blessures.