

ASSEMBLY INSTRUCTIONS

A-43 PCS



B-43 PCS



Cams

C-10 PCS



Wooden dowels

D-8 PCS



(20mm)

E-2 PCS



(98mm)

F-2 PCS



(128mm)

G-4 PCS



(50mm)

J-4PCS



U-43PCS



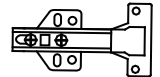
Cam covers

K-1PC



(M3.5*20mm)

M-4PCS

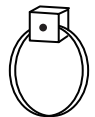


N-28PCS

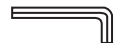


(15mm)

P-1PC

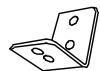


Q-1 PC



Allen key tool

R-2 PCS

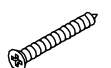


S-4 PCS

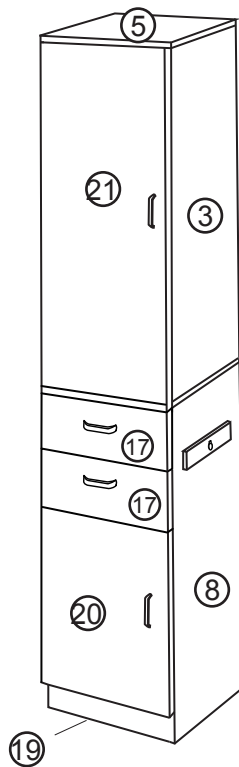


(M8*50mm)

T-4PCS

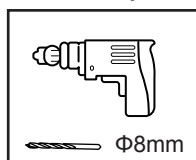


(M5*60mm)

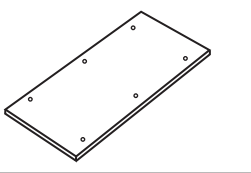
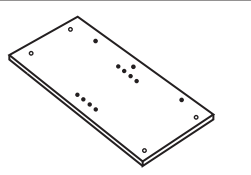
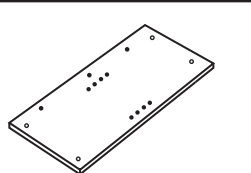
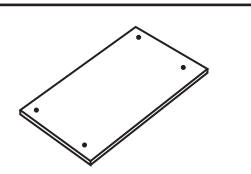
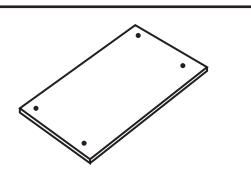
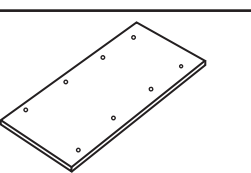
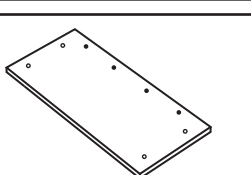
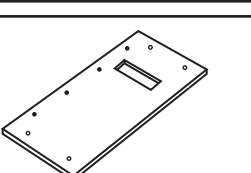
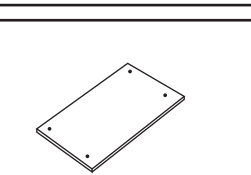
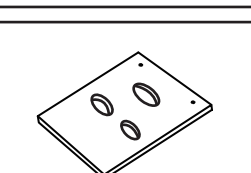
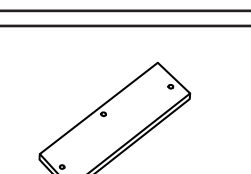


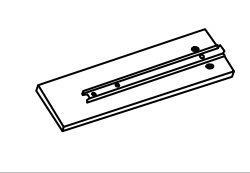
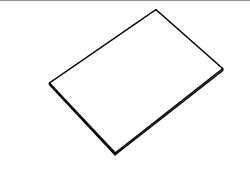
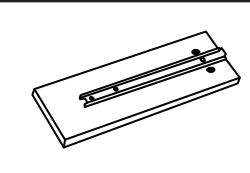
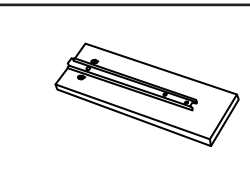
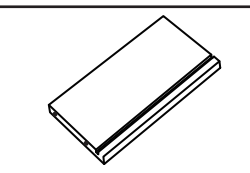
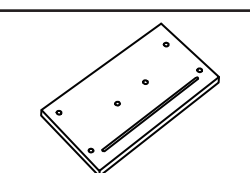
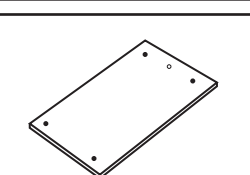
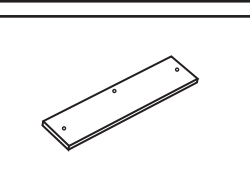
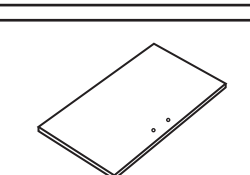
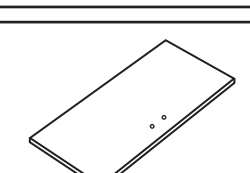
6154-5205

Additional tools required:
1 x Philips cross-head screwdriver.



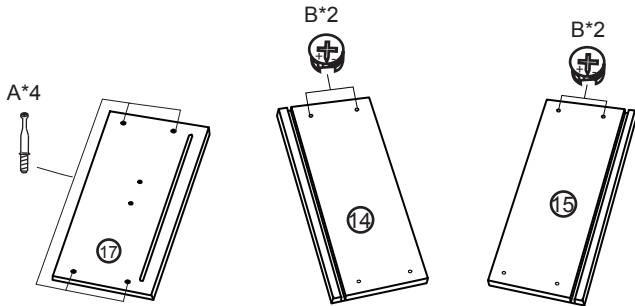
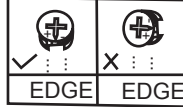
1x Drill & 1x 8mm wood drill bit.

	772*368*16	1	①
	772*382*16	1	②
	772*382*16	1	③
	367*362*16	1	④
	402*400*16	1	⑤
	995*368*16	1	⑥
	995*380*16	1	⑦
	995*380*16	1	⑧
	402*382*16	1	⑨
	240*235*16	1	⑩
	334*51*16	1	⑪

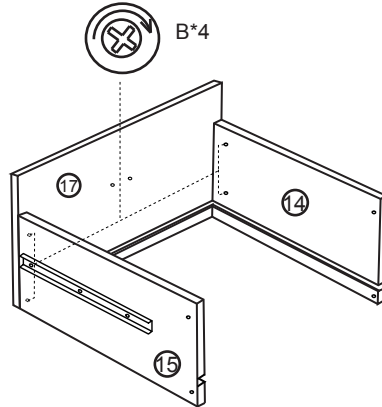
	368*50*16	2	⑫
	294*320*5	2	⑬
	300*100*16	2	⑭
	300*100*16	2	⑮
	310*100*16	2	⑯
	399*180*16	2	⑰
	368*364*16	2	⑱
	368*80*16	1	⑲
	556*399*16	1	⑳
	776*399*16	1	㉑

**DO NOT USE A POWER DRILL TO TIGHTEN THE SCREWS
 -TIGHTEN BY HAND WITH THE ALLEN KEY PROVIDED.
 Before use please check all fixings are tightened fully.**

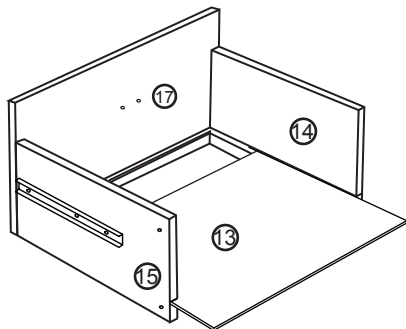
1 x2



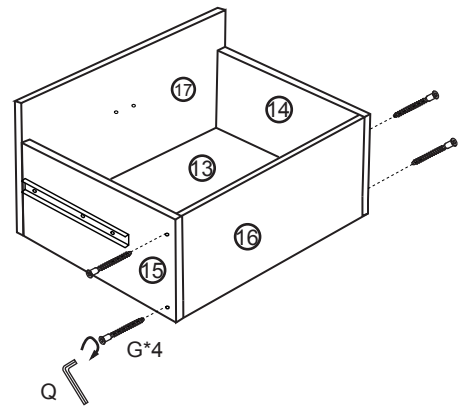
2 x2



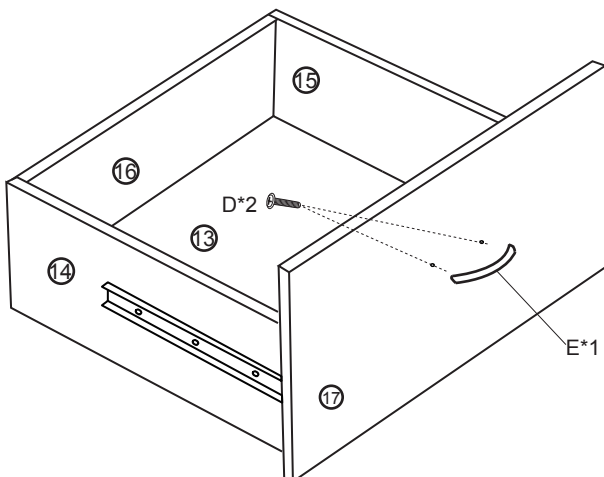
3 x2



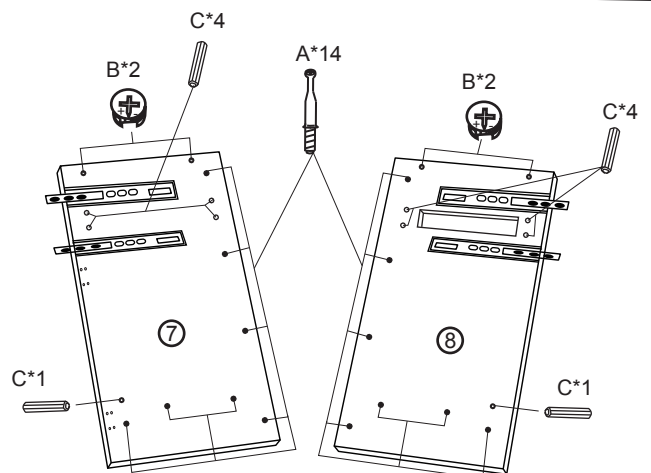
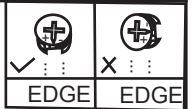
4 x2



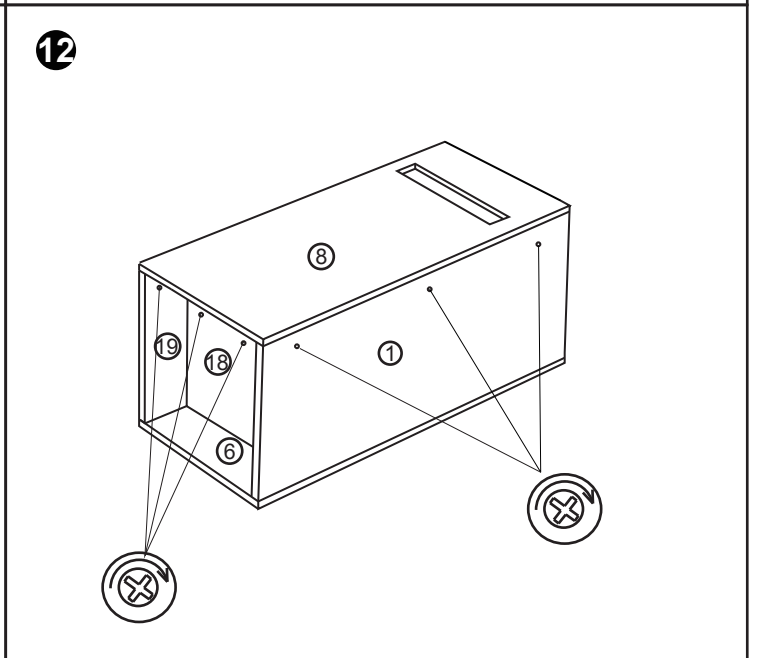
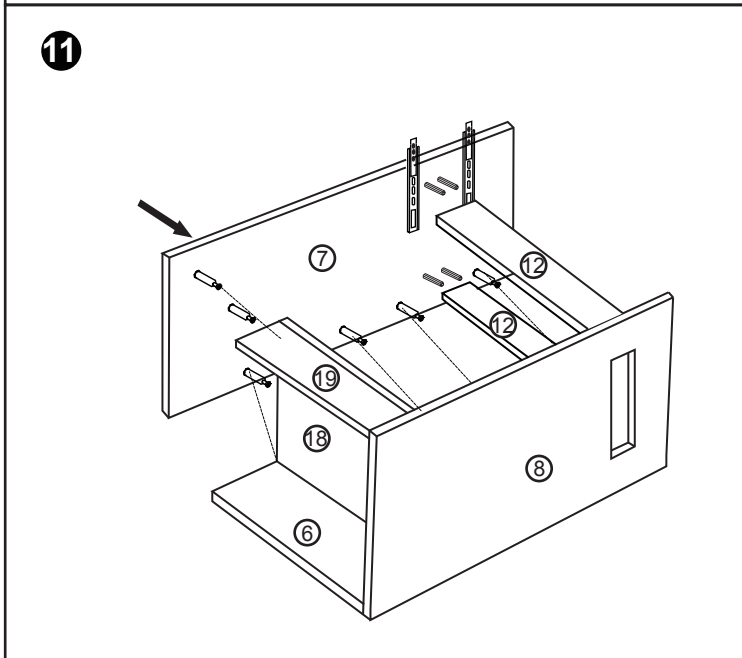
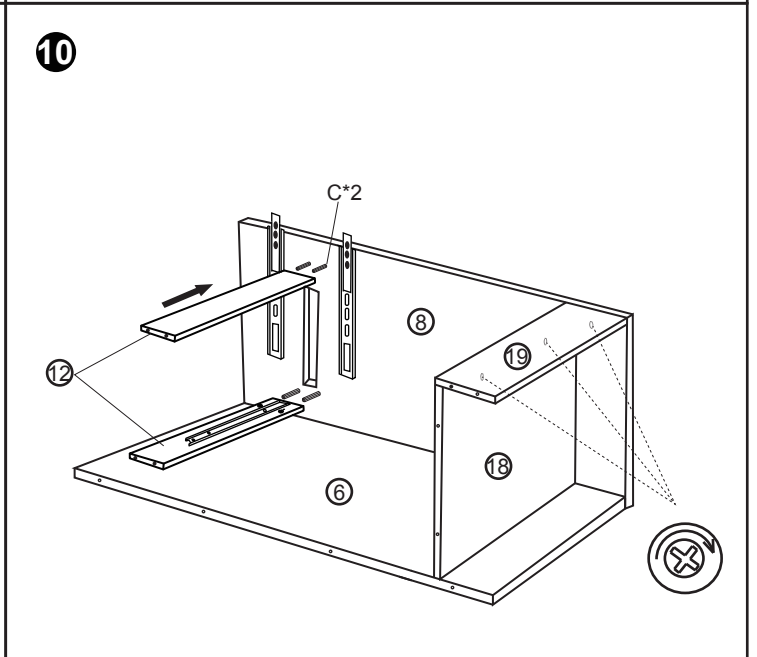
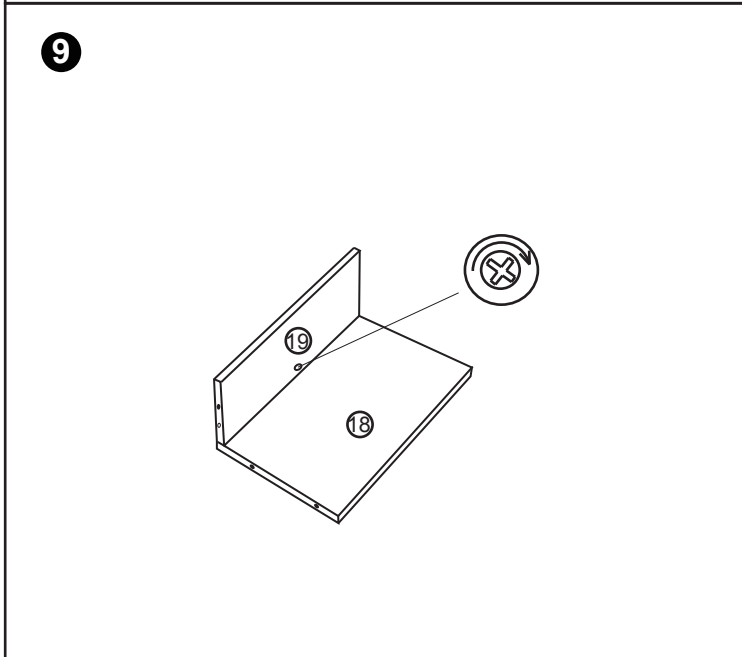
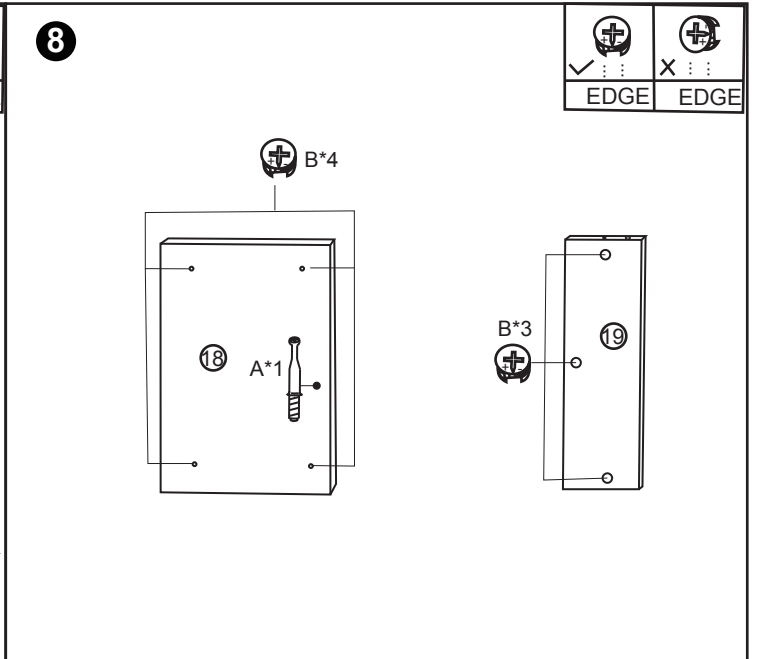
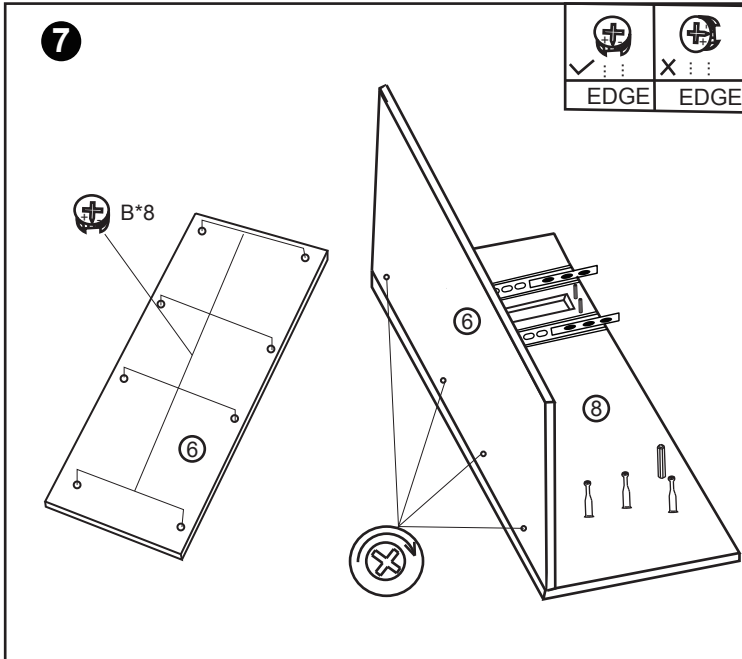
5 x2



6

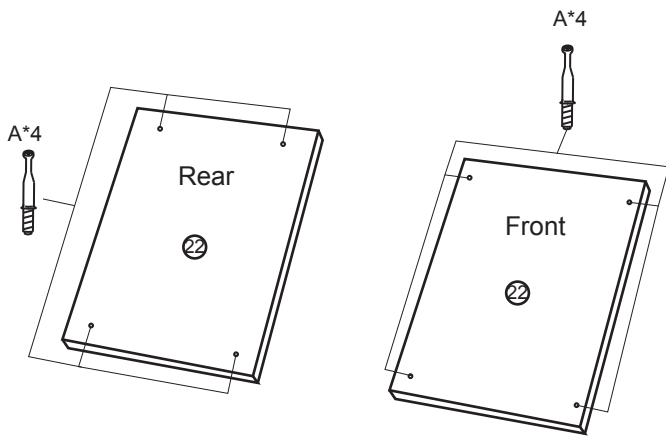


**DO NOT USE A POWER DRILL TO TIGHTEN THE SCREWS
 -TIGHTEN BY HAND WITH THE ALLEN KEY PROVIDED.
 Before use please check all fixings are tightened fully.**

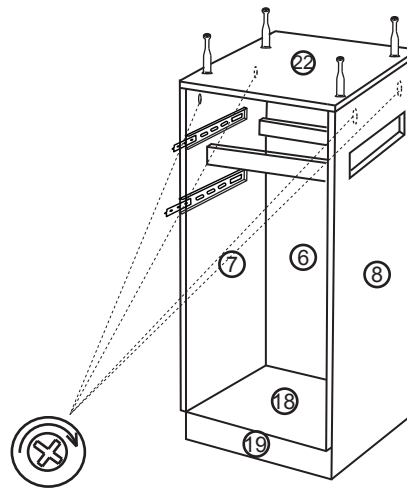


**DO NOT USE A POWER DRILL TO TIGHTEN THE SCREWS
 -TIGHTEN BY HAND WITH THE ALLEN KEY PROVIDED.
 Before use please check all fixings are tightened fully.**

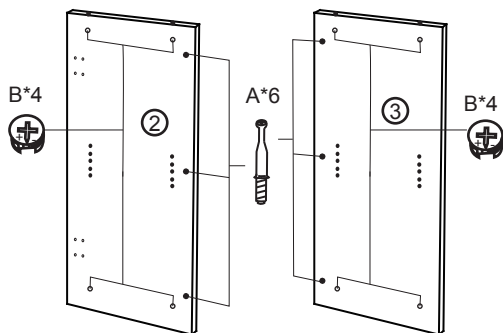
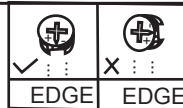
13



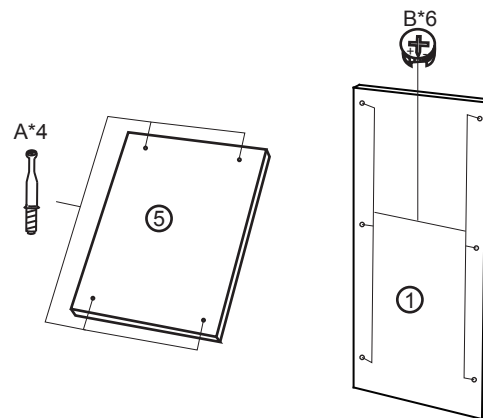
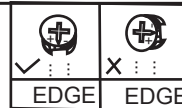
14



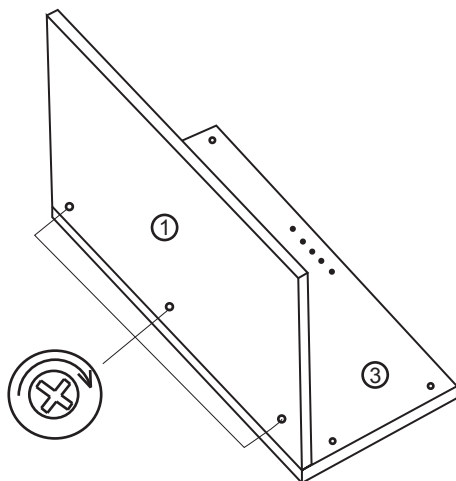
15



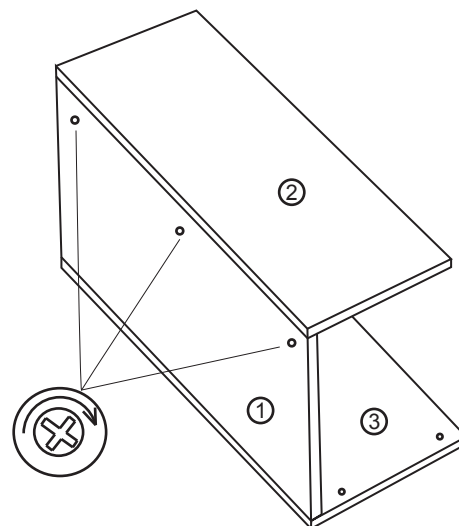
16



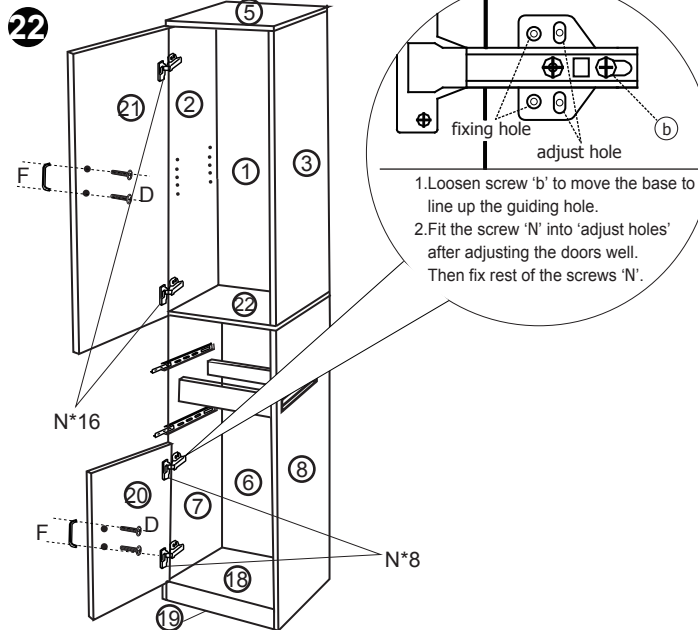
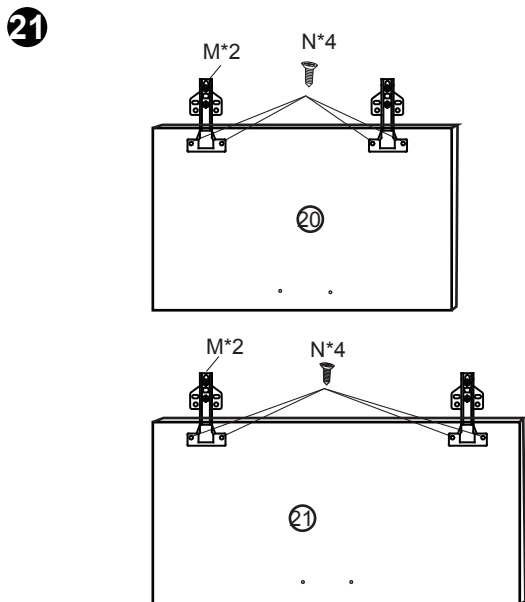
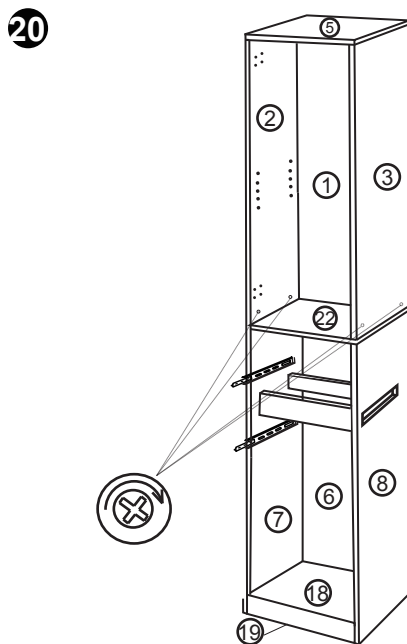
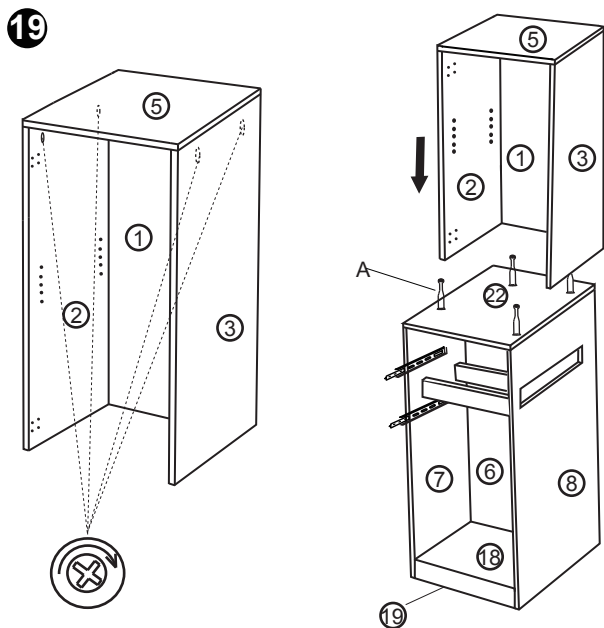
17



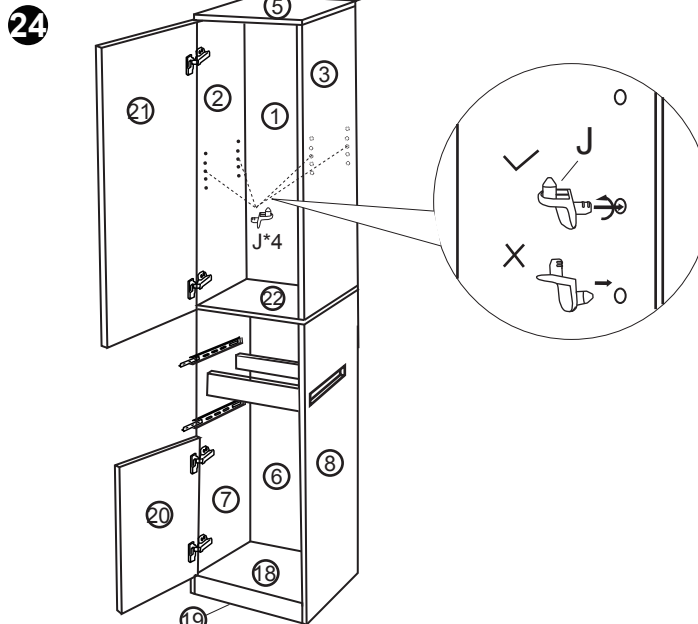
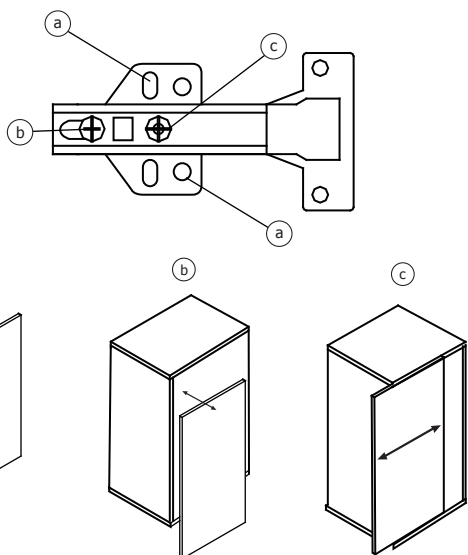
18



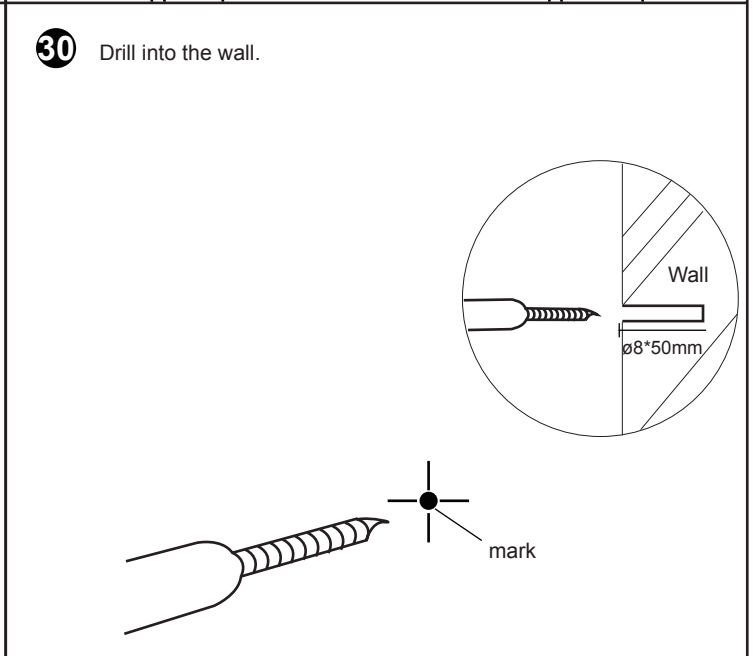
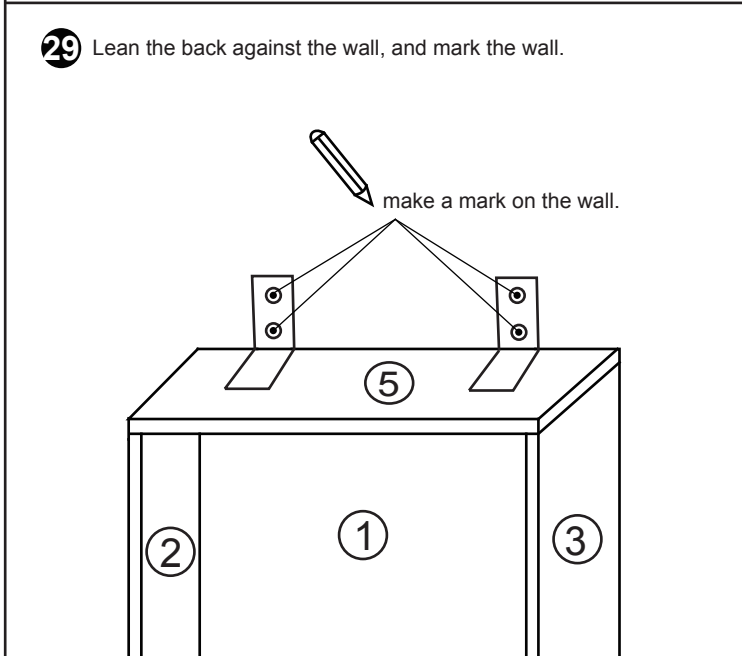
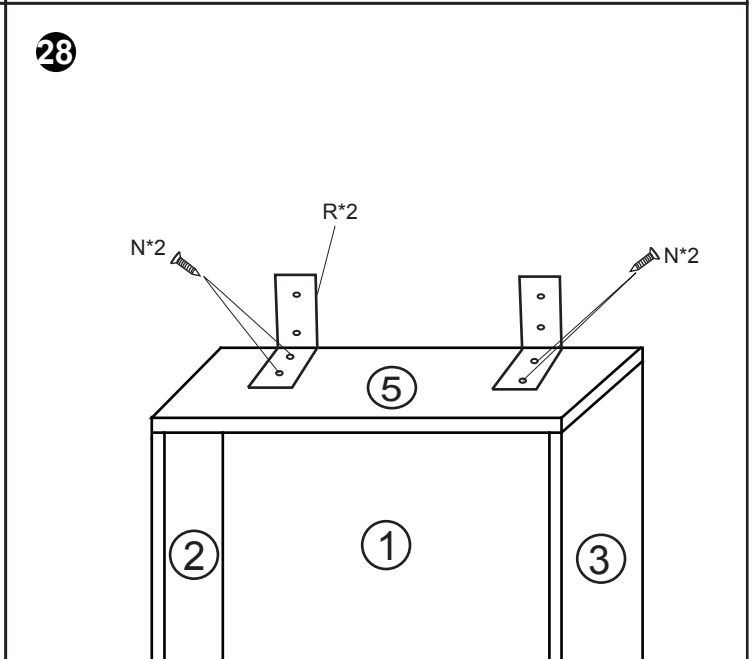
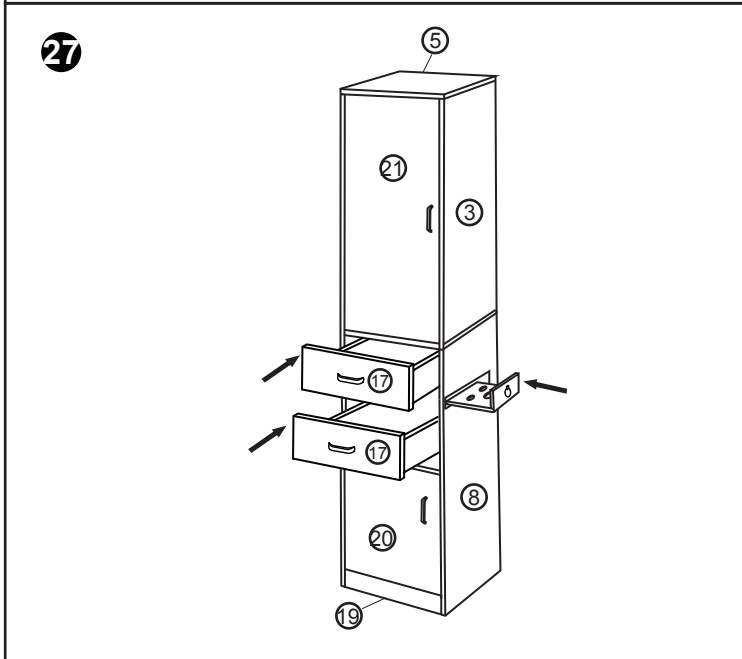
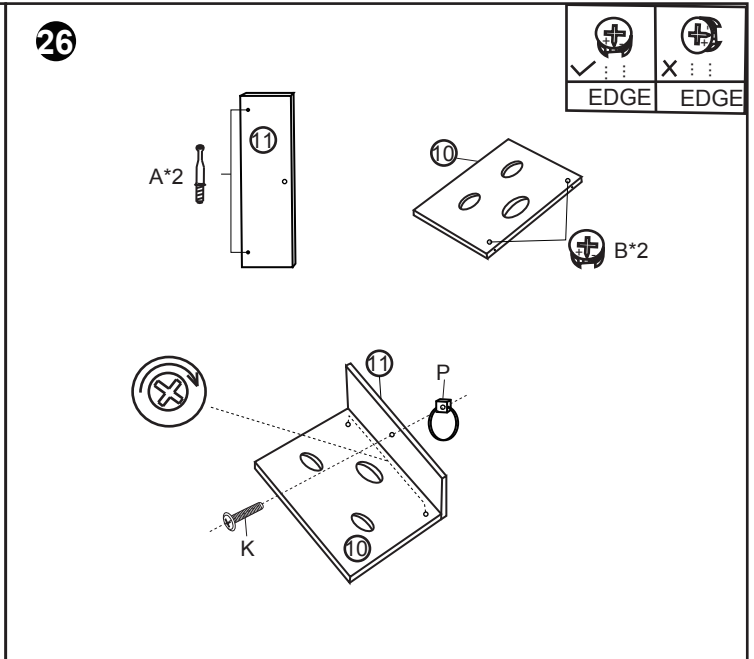
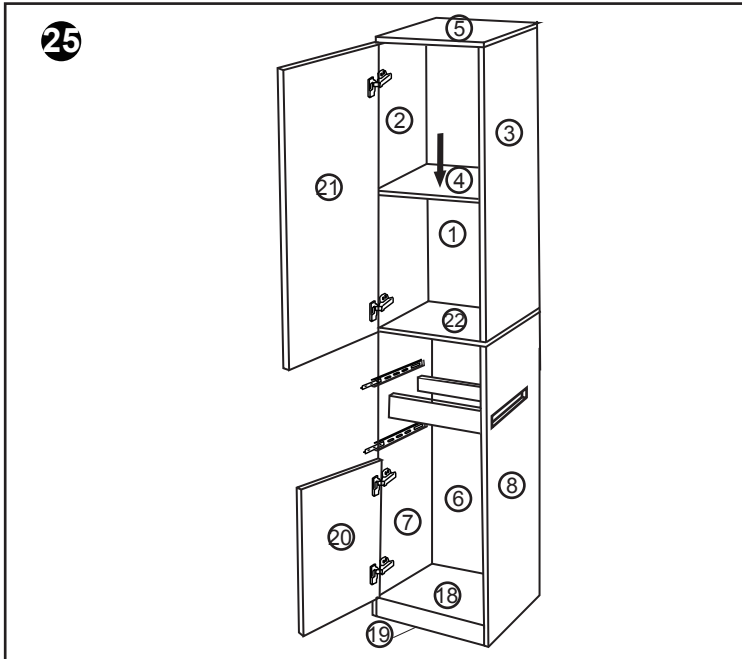
**DO NOT USE A POWER DRILL TO TIGHTEN THE SCREWS
-TIGHTEN BY HAND WITH THE ALLEN KEY PROVIDED.
Before use please check all fixings are tightened fully.**



23 How to adjust the doors.

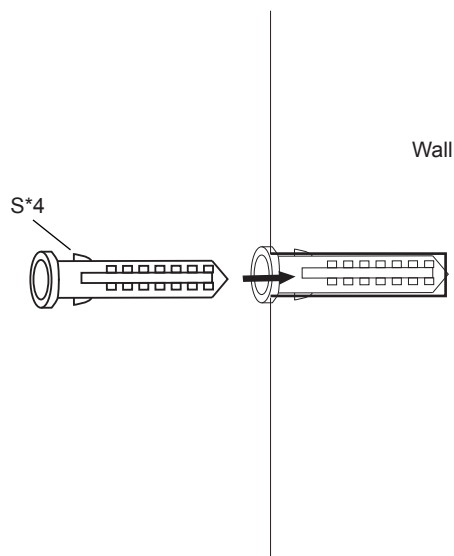


**DO NOT USE A POWER DRILL TO TIGHTEN THE SCREWS
-TIGHTEN BY HAND WITH THE ALLEN KEY PROVIDED.
Before use please check all fixings are tightened fully.**

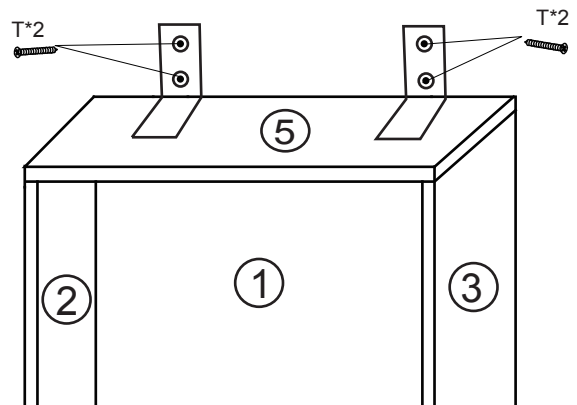


**DO NOT USE A POWER DRILL TO TIGHTEN THE SCREWS
-TIGHTEN BY HAND WITH THE ALLEN KEY PROVIDED.
Before use please check all fixings are tightened fully.**

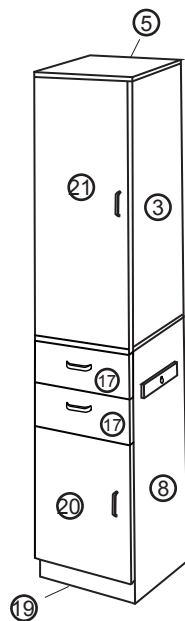
31



32



33



Note: Please fit cam covers (U) onto visible/exposed cams (B) to complete assembly.