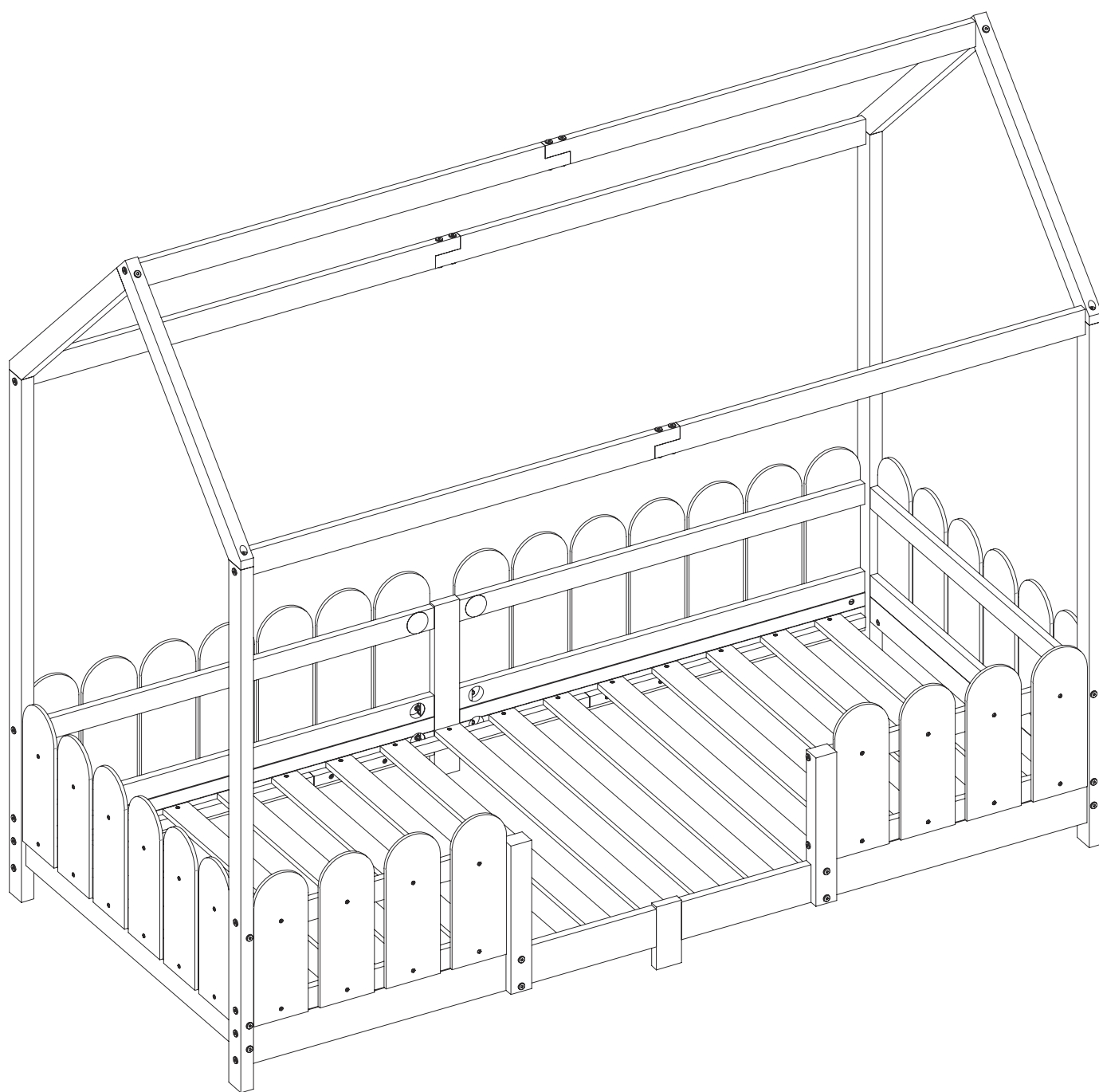
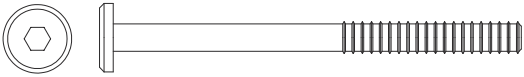

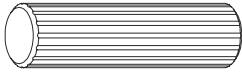
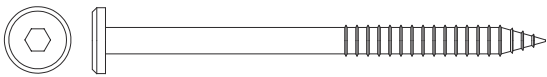

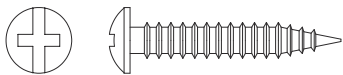
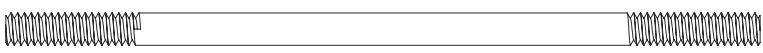
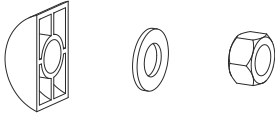
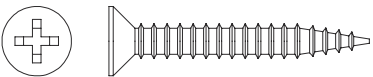
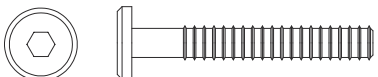
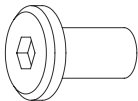
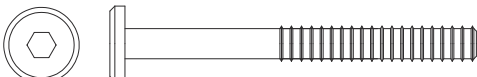
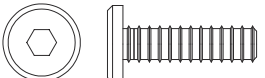

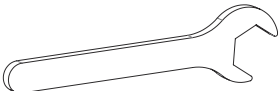



# ASSEMBLY INSTRUCTION

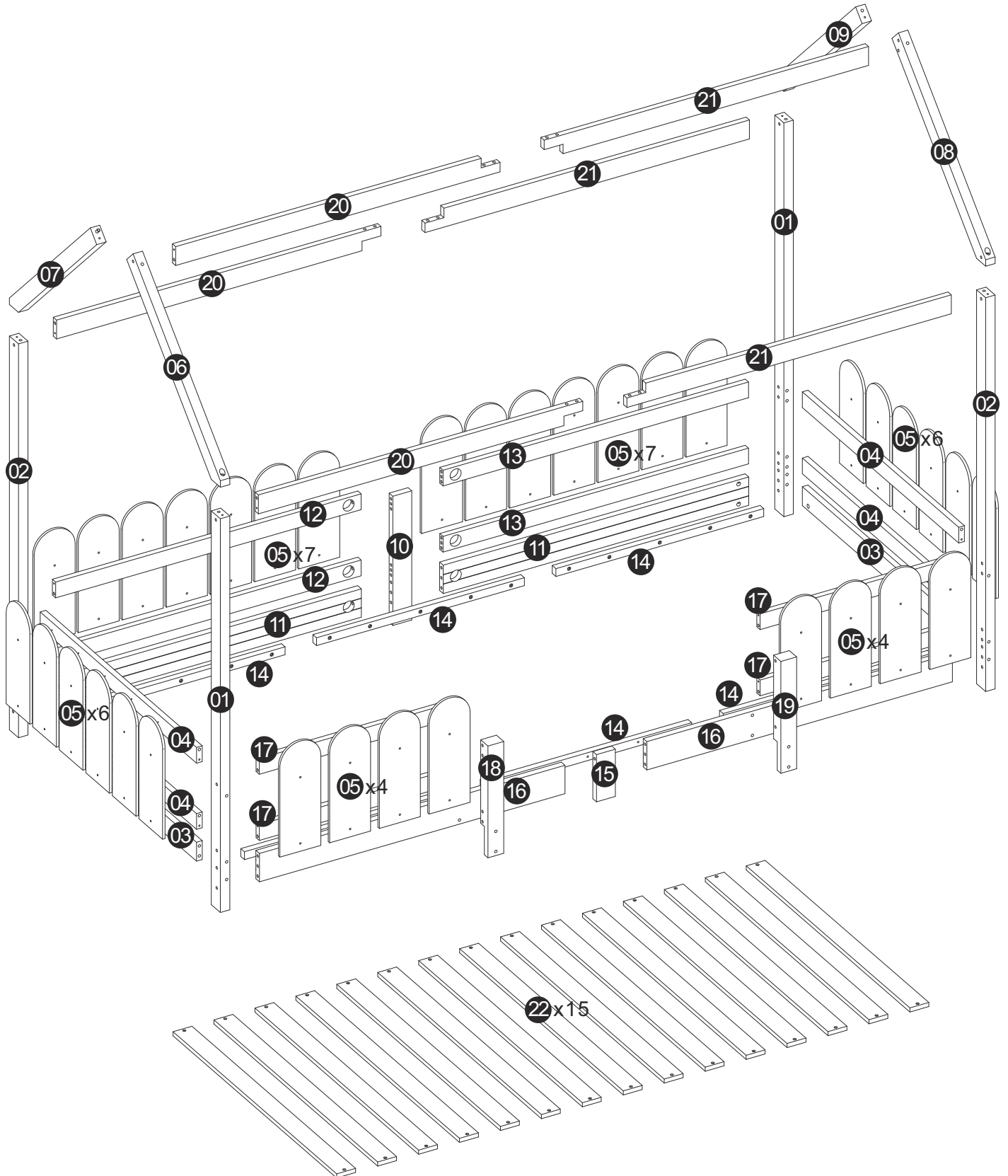
## Beschreibung



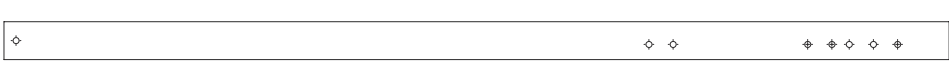
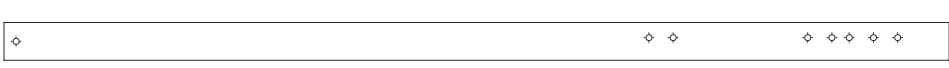








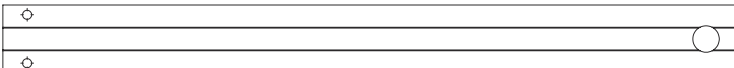


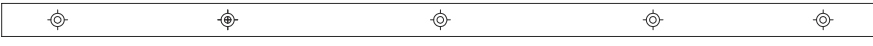

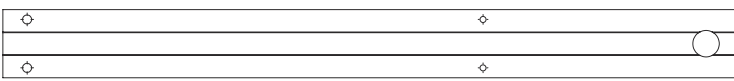






# Hardware List

A	 M6x90	4PCS
B		12PCS
C	 $\Phi 8 \times 30$	56PCS
D	 $\Phi 6 \times 100$	14PCS
E	 $\Phi 6 \times 80$	18PCS
F	 $\Phi 4 \times 20$	68PCS
G		4PCS
H		8PCS
J	 $\Phi 4 \times 30$	60PCS
K	 M6x50	6PCS
L		10PCS
M	 M6x70	8PCS
N	 M6x30	4PCS
P		2PCS
Q		2PCS
R		2PCS

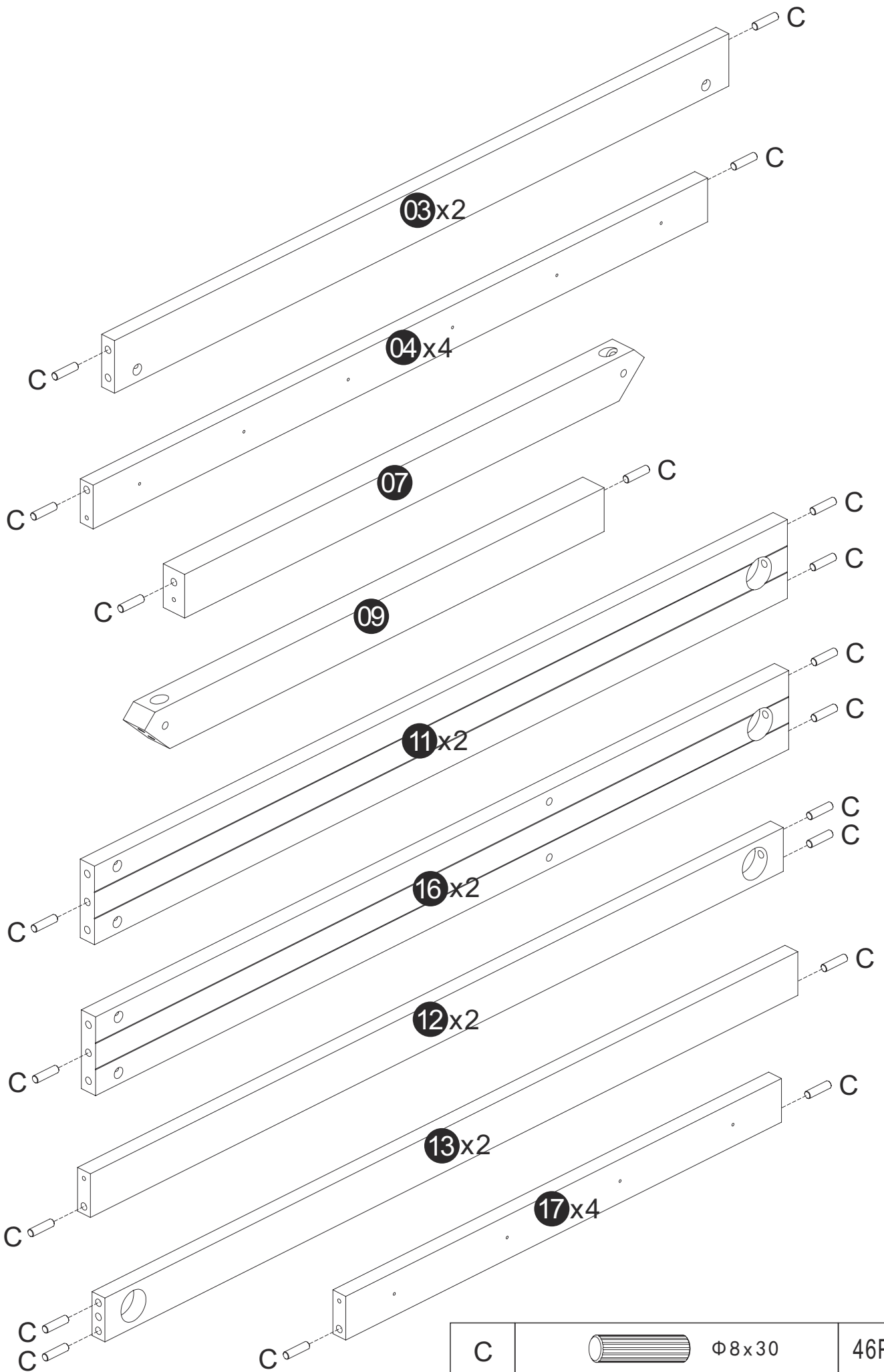
# Detail View



# Part List

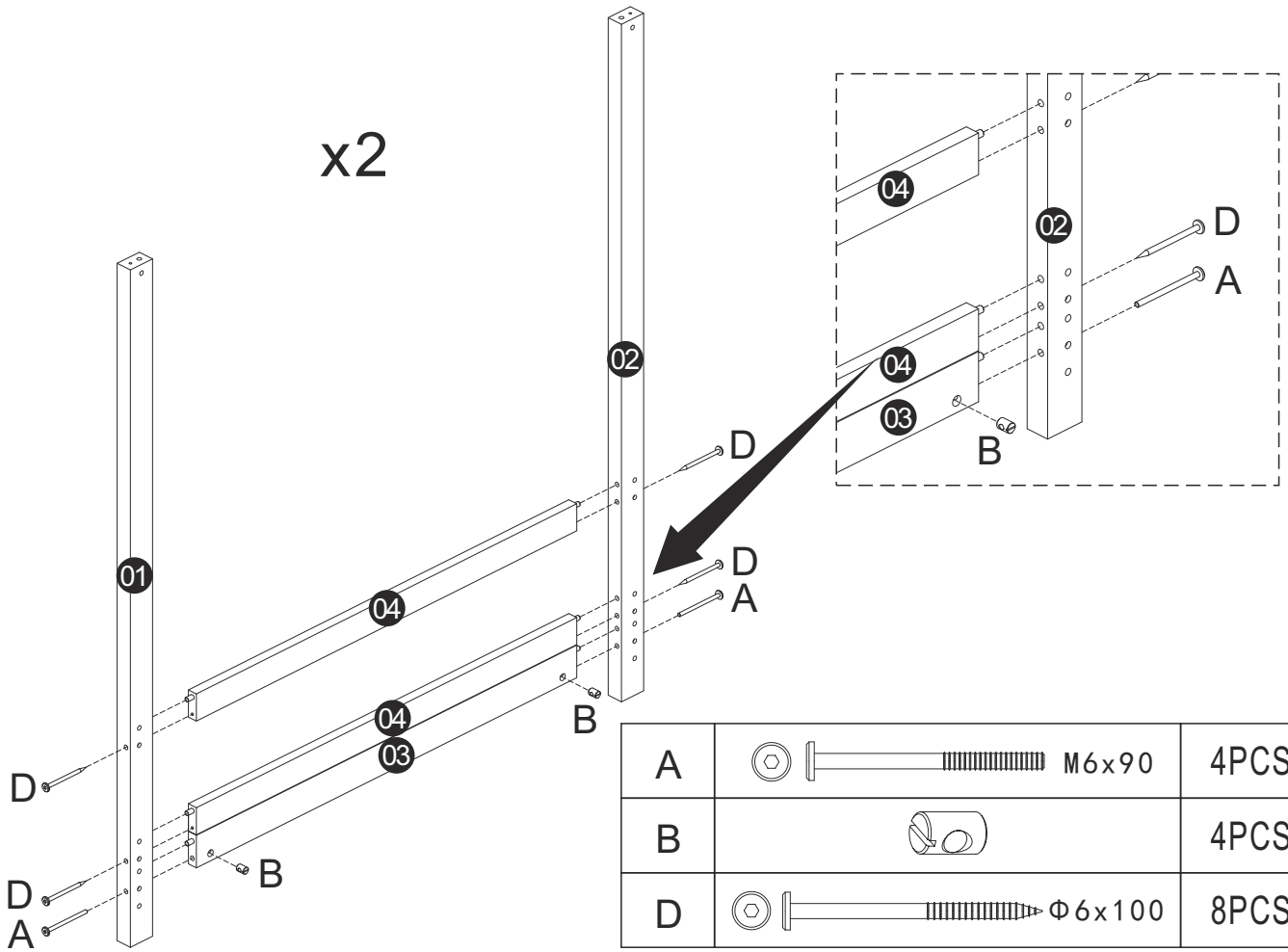
01		2PCS
02		2PCS
03		2PCS
04		4PCS
05		34PCS
06		1PCS
07		1PCS
08		1PCS
09		1PCS
10		1PCS
11		2PCS
12		2PCS
13		2PCS
14		6PCS
15		1PCS
16		2PCS
17		4PCS
18		1PCS
19		1PCS
20		3PCS
21		3PCS
22		15PCS




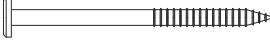
1



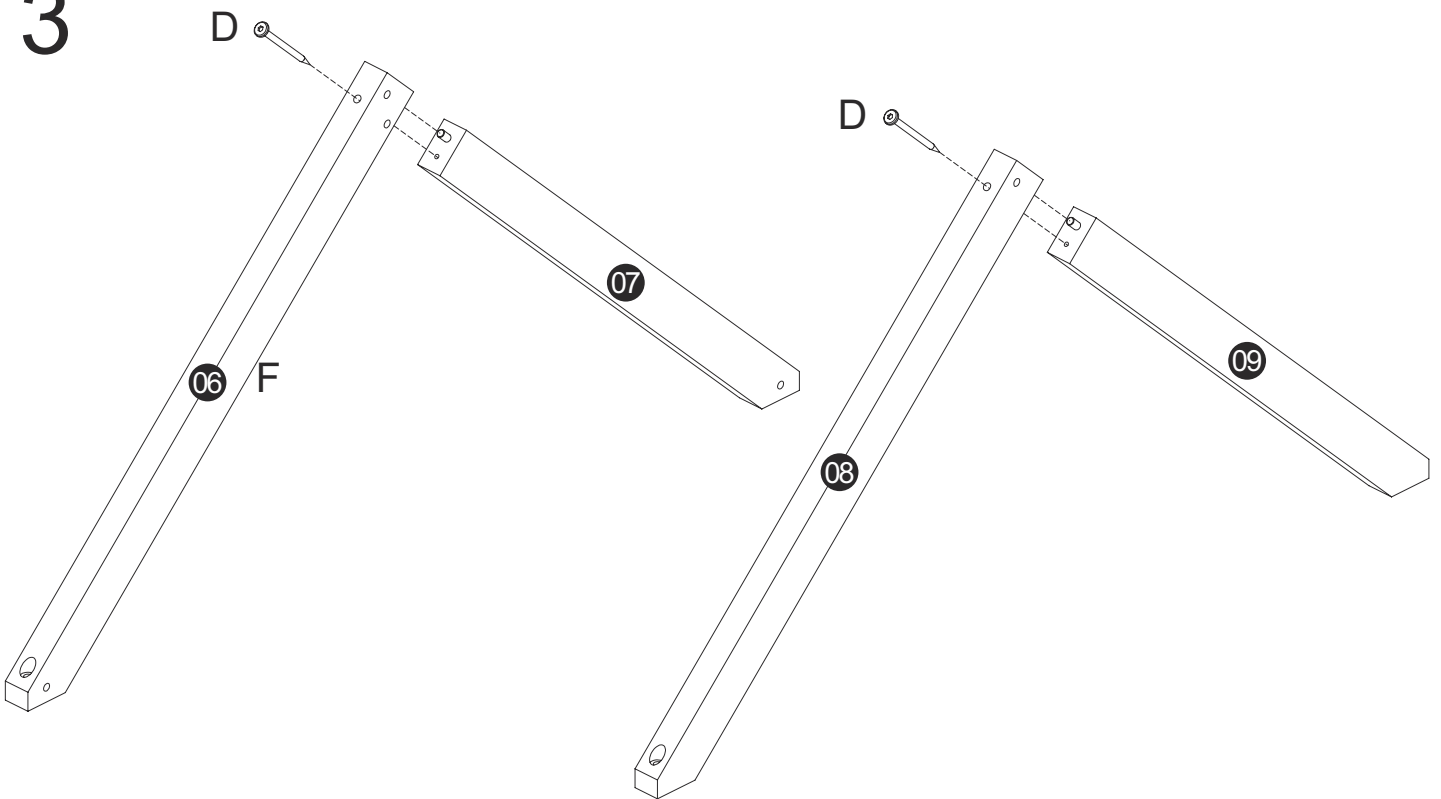
# 2

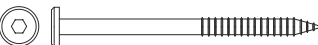
x2



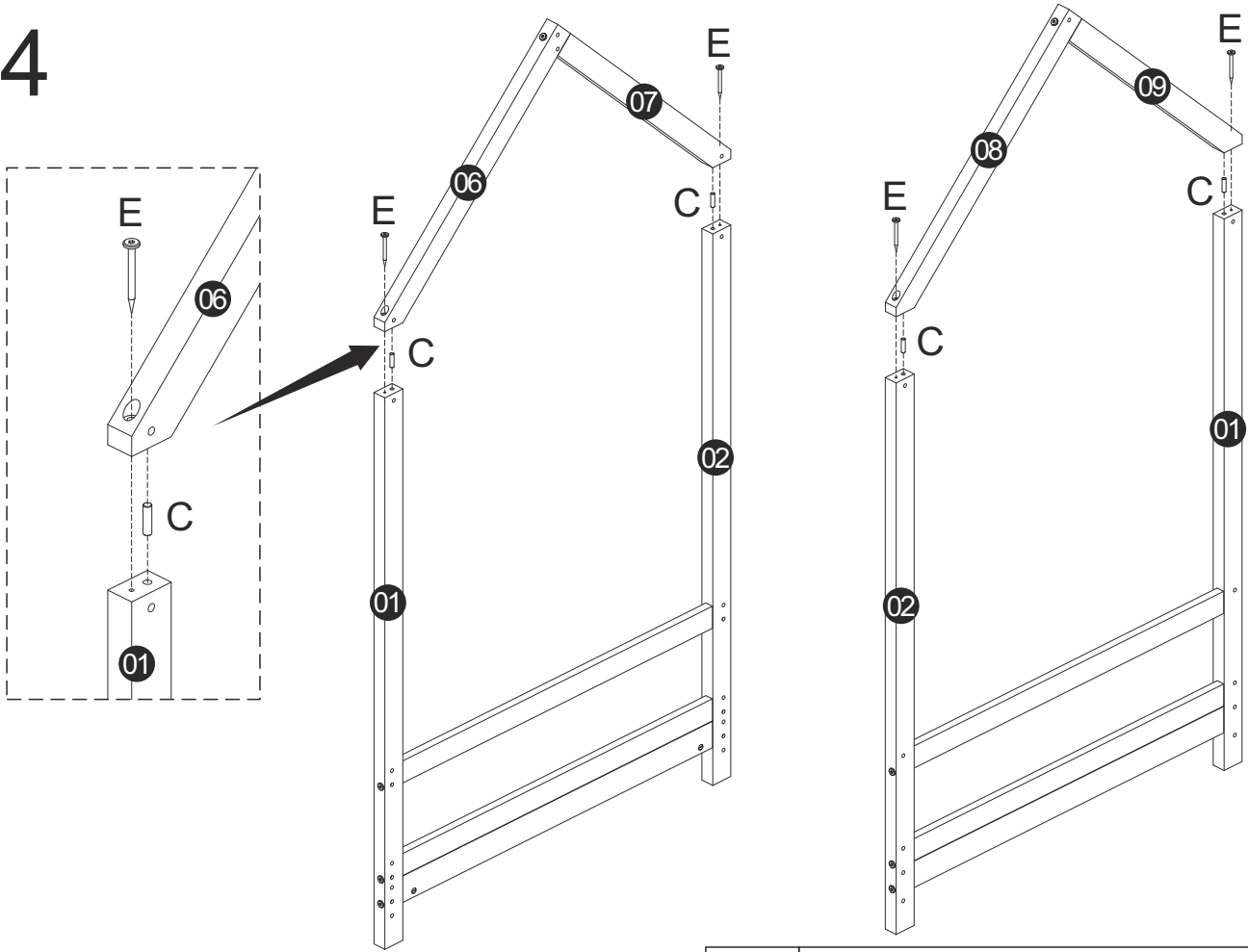
A	  M6x90	4PCS
B		4PCS
D	 $\Phi 6 \times 100$	8PCS



# 3



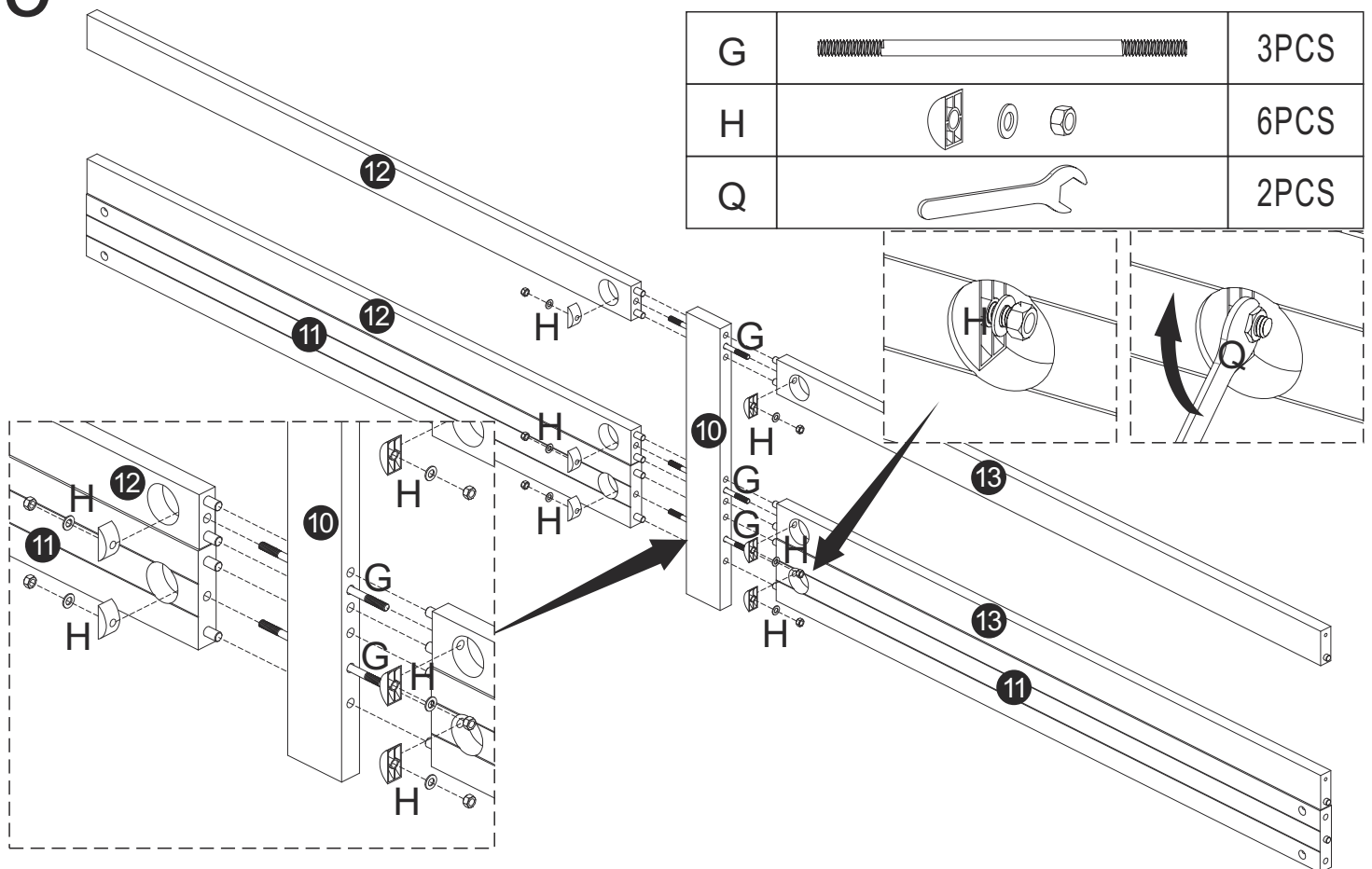
D	 $\Phi 6 \times 100$	2PCS
---	--	------


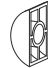



4



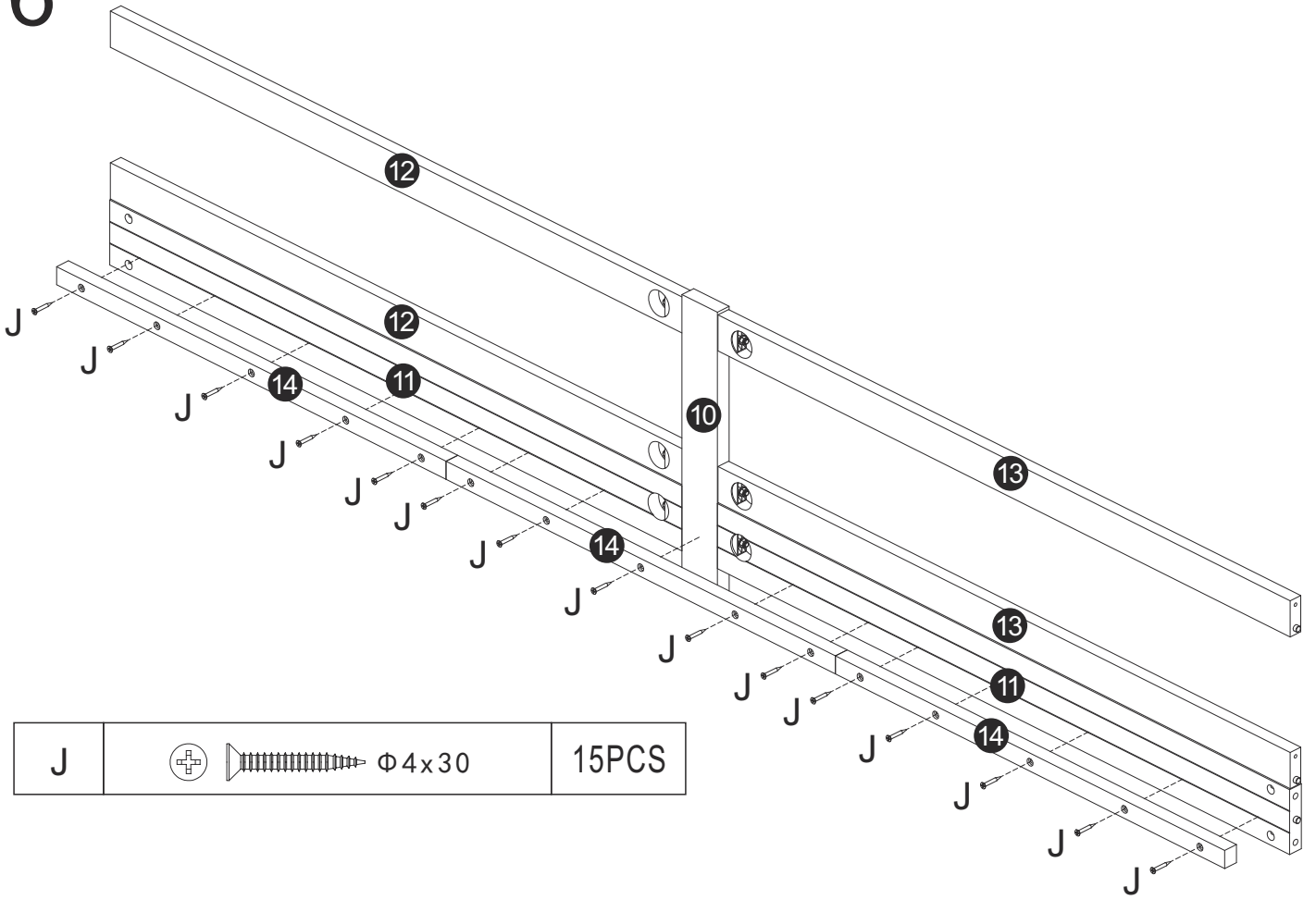
C	 $\Phi 8 \times 30$	4PCS
E	 $\Phi 6 \times 80$	4PCS


5




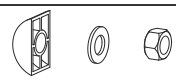

G		3PCS
H	  	6PCS
Q		2PCS

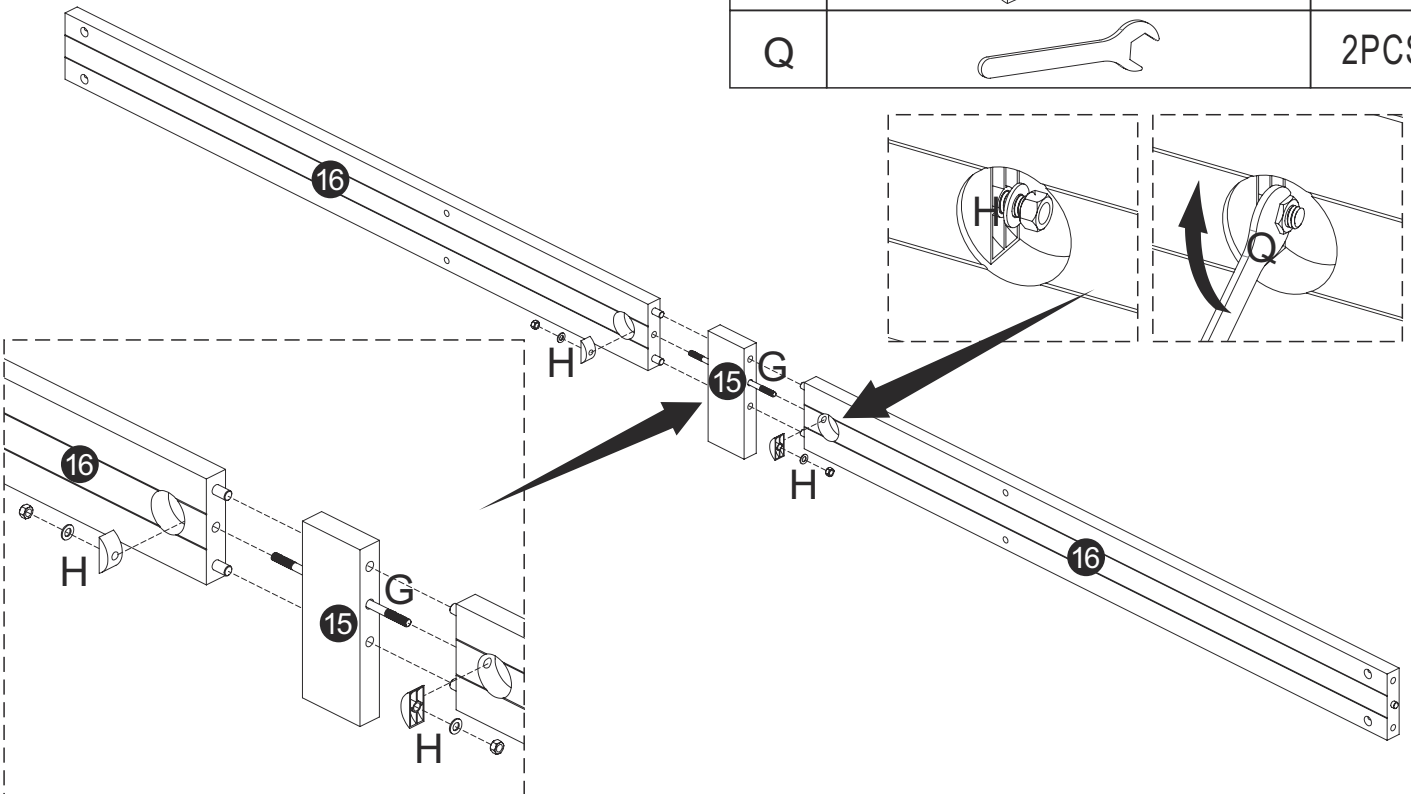
# 6



J	 $\Phi 4 \times 30$	15PCS
---	--	-------

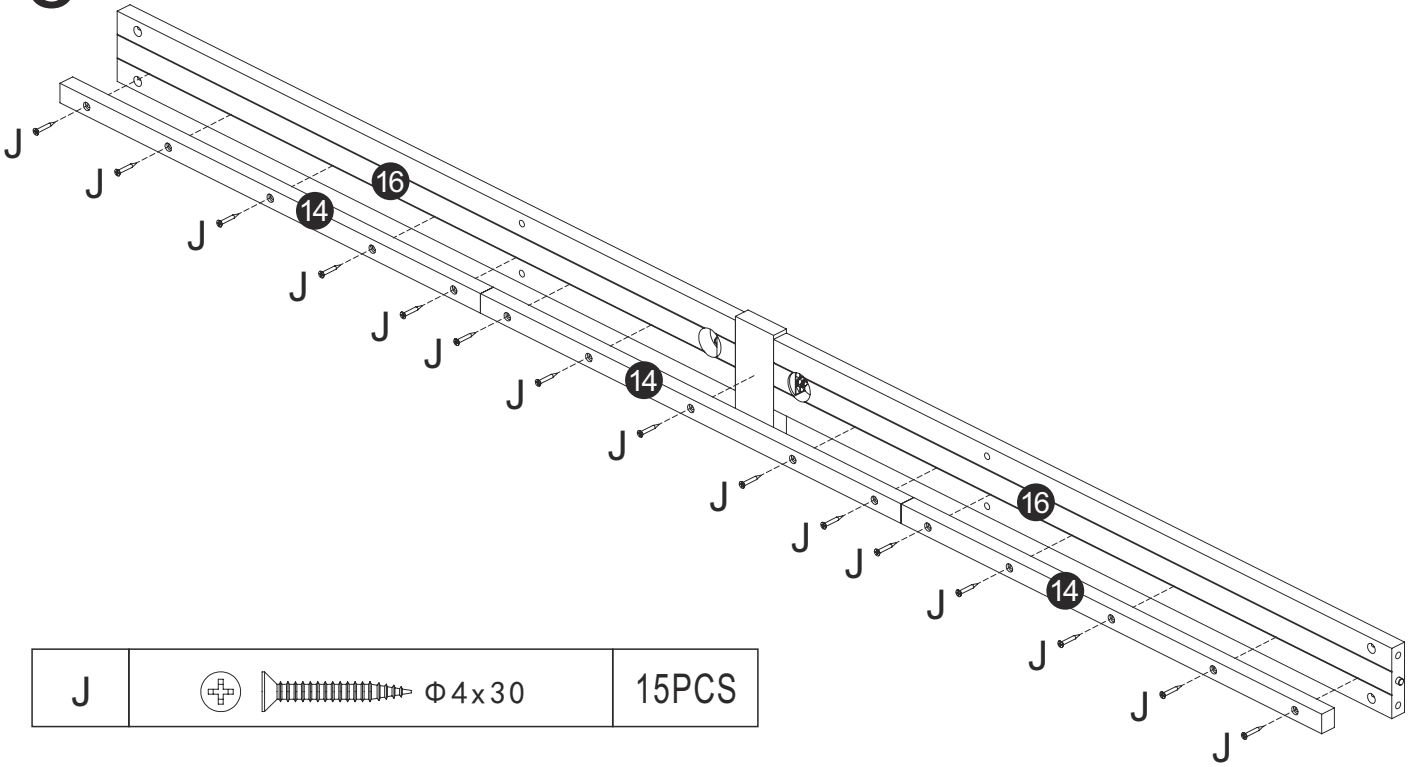
# 7


G		1PCS
H		2PCS
Q		2PCS



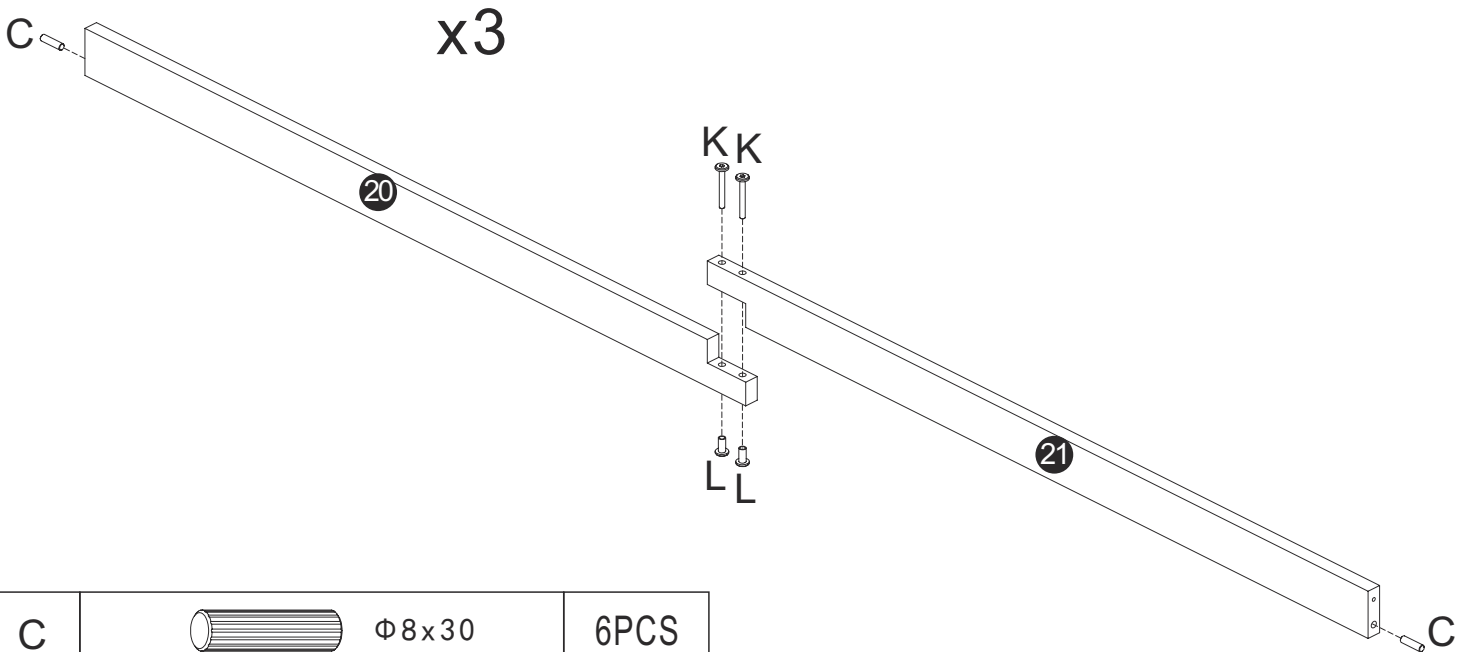




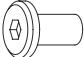
# 8


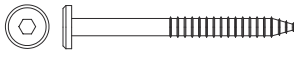
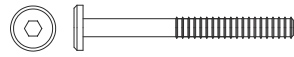


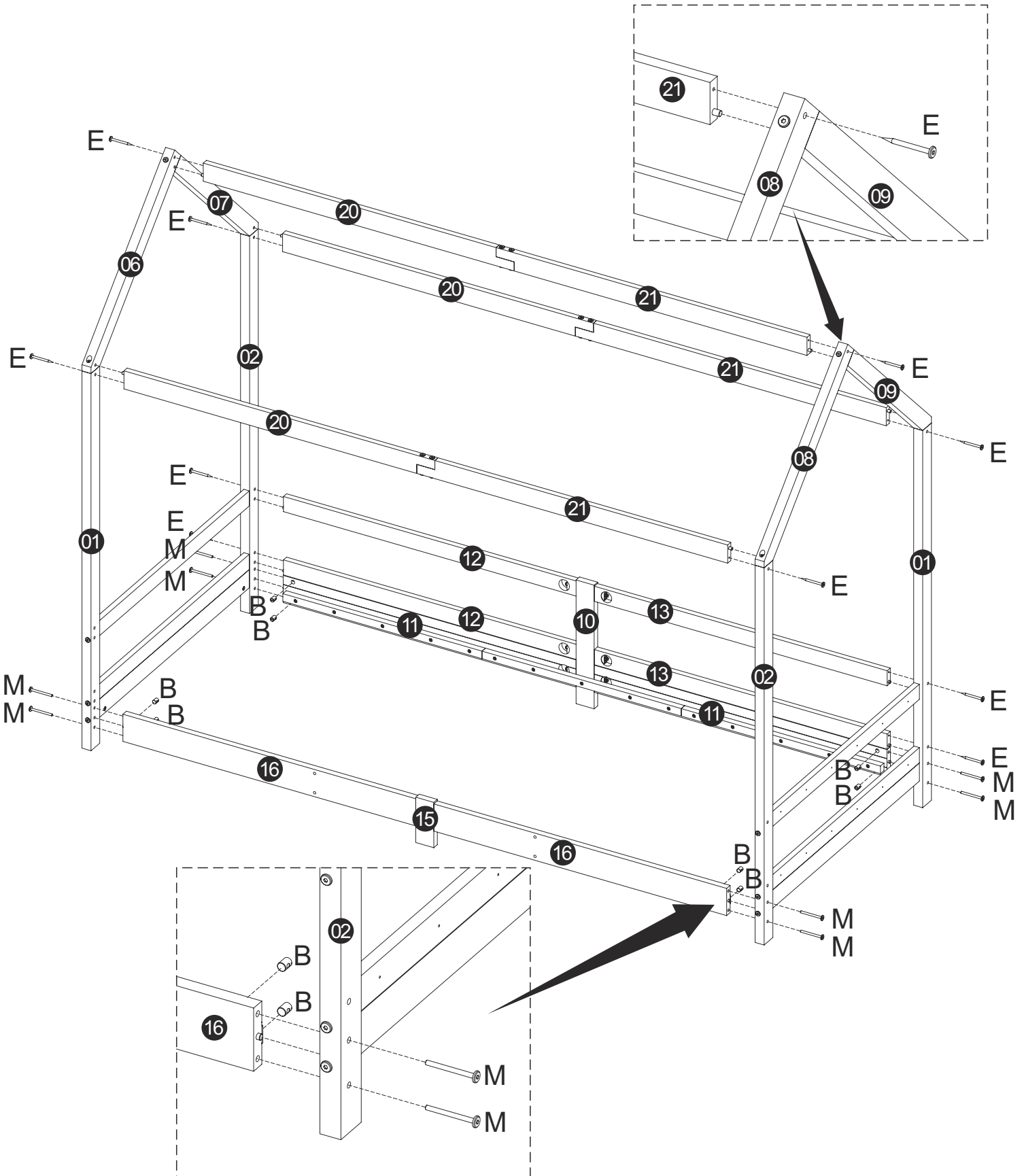
J	 $\Phi 4 \times 30$	15PCS
---	--	-------



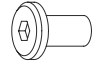
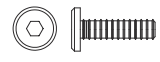
# 9

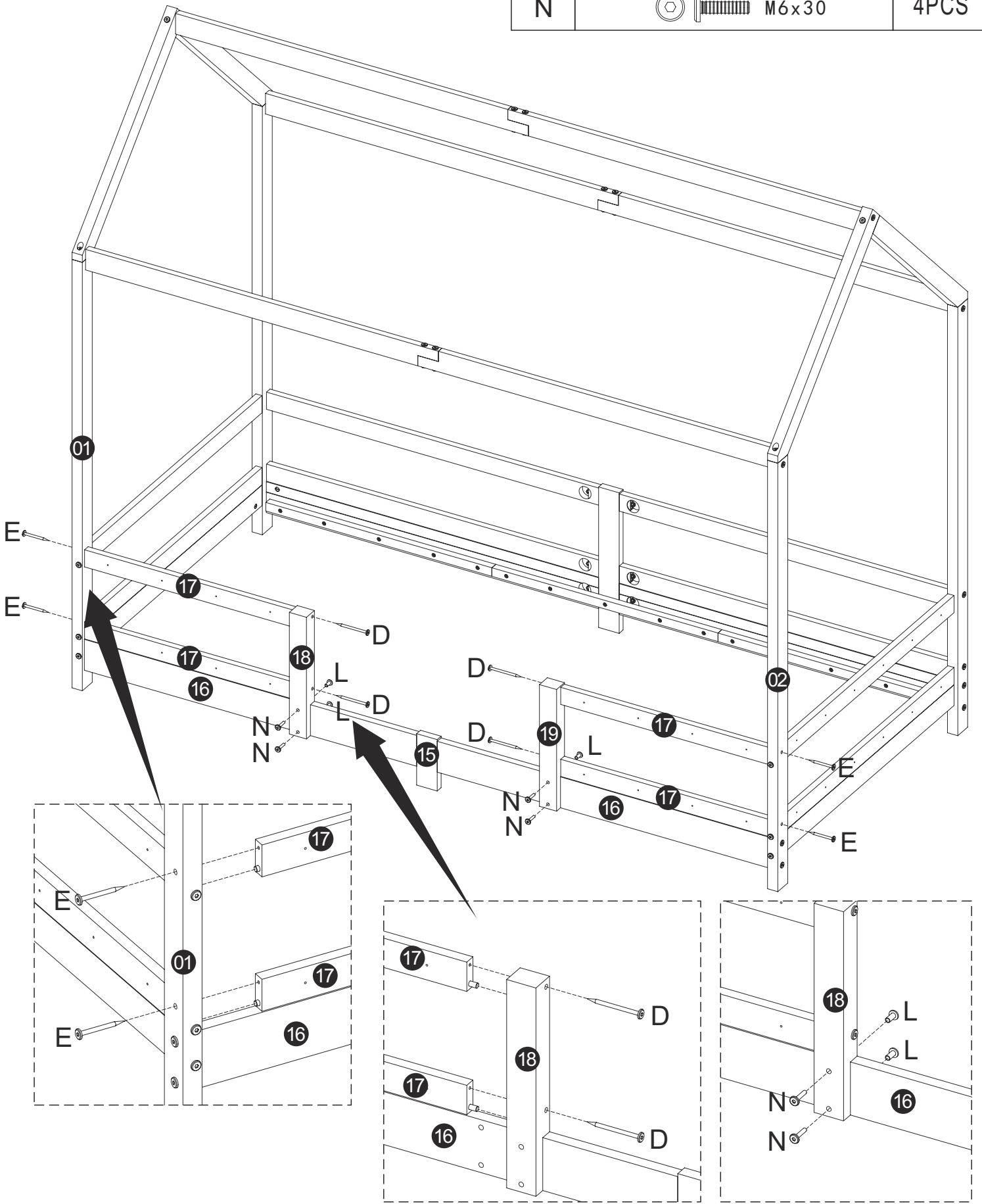



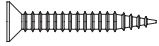
C	 $\Phi 8 \times 30$	6PCS
K	 $M 6 \times 50$	6PCS
L		6PCS

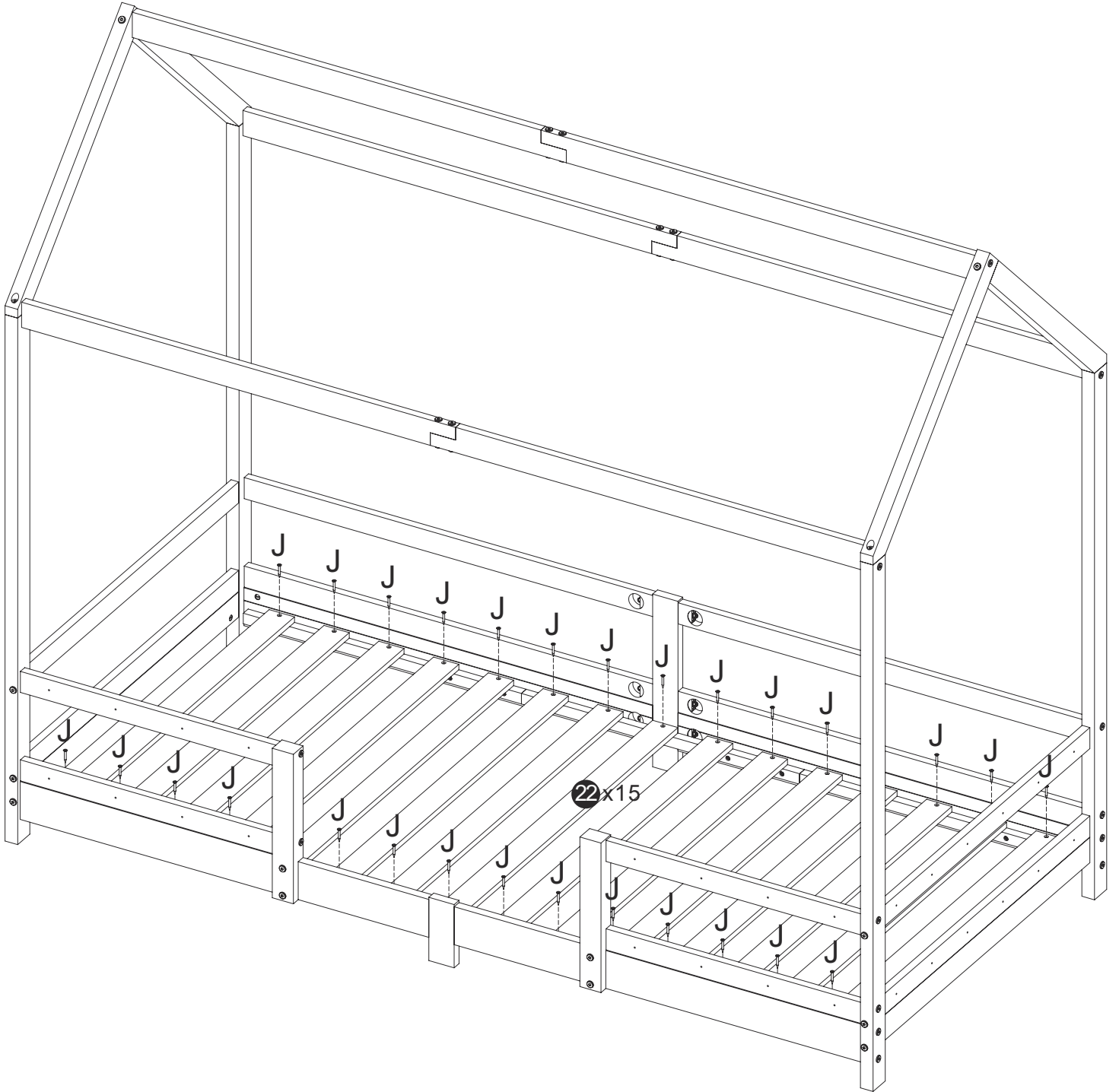
B		8PCS
E	 $\Phi 6 \times 80$	10PCS
M	 M6x70	8PCS


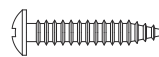


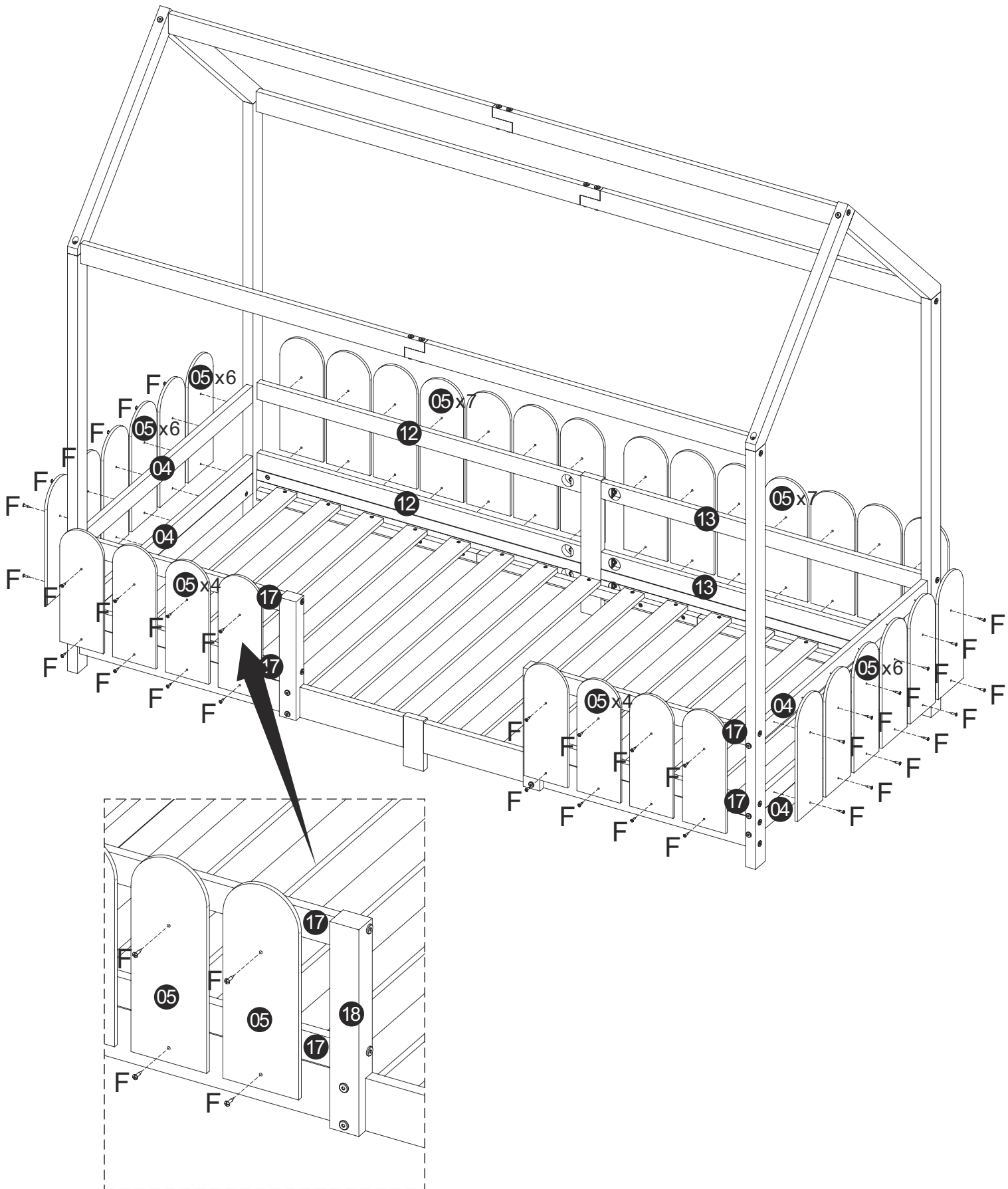
D		4PCS
E		4PCS
L		4PCS
N		4PCS




J	  $\Phi 4 \times 30$	30PCS
---	---	-------



F	  $\Phi 4 \times 20$	68PCS
---	---	-------



P		2PCS
---	---	------

