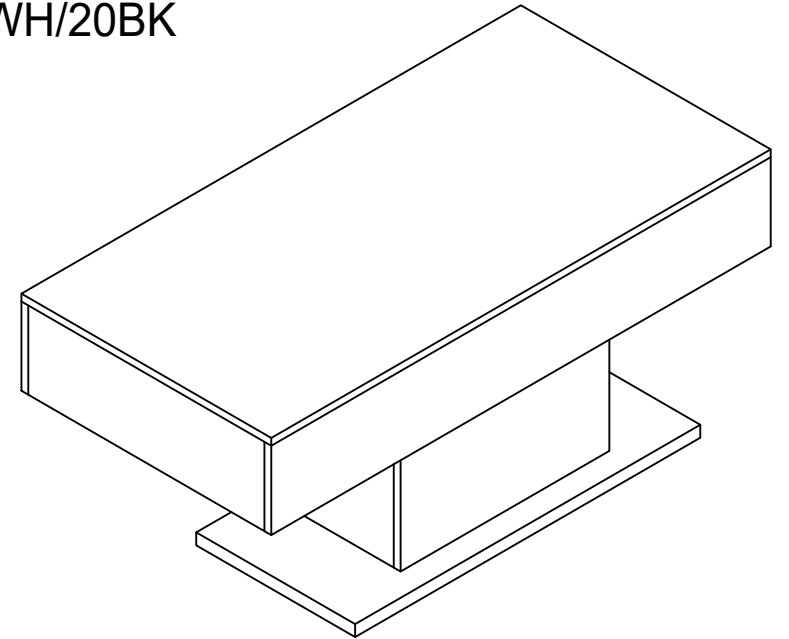


**Hironpal**

## **Assembly Instructions**

CT07302010WH/CT02902010WH/20BK


**Hironpal**





## Safety Information


Basic precautions should always be followed when using this product. Please read all instructions before using the cabinet.


**Failure to observe all instructions and warnings regarding use this product may cause serious property damage or personal Injured.**

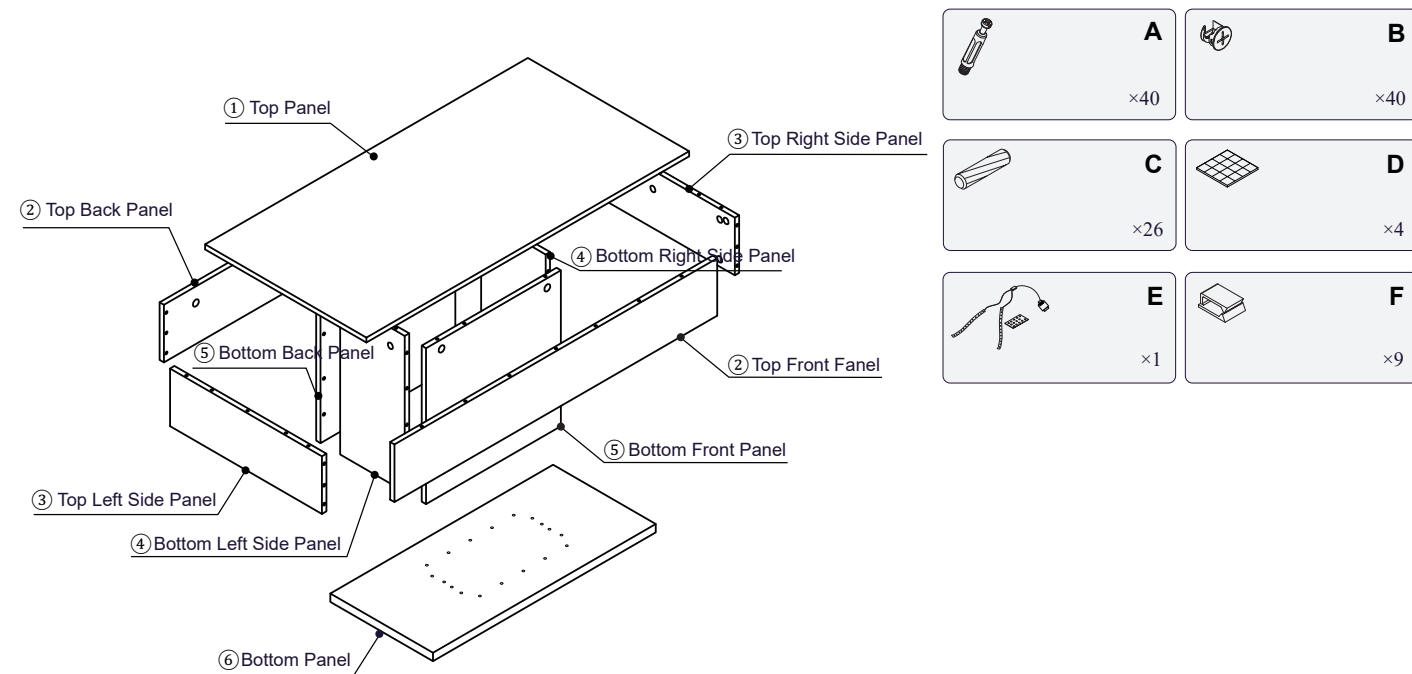
 When unpacking, Please be careful don't cut too deep to damage the products in the box, just use the blade to scratch the parcel tape.

 Check the product accessories and hardware accessories in the box; and confirm whether, the instructions are complete.

 When installing, please pay attention to the protection of the parts. The soft material must be placed under the product, and the product must be handled with care to avoid damaging the surface of the parts.

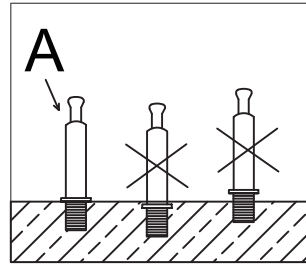
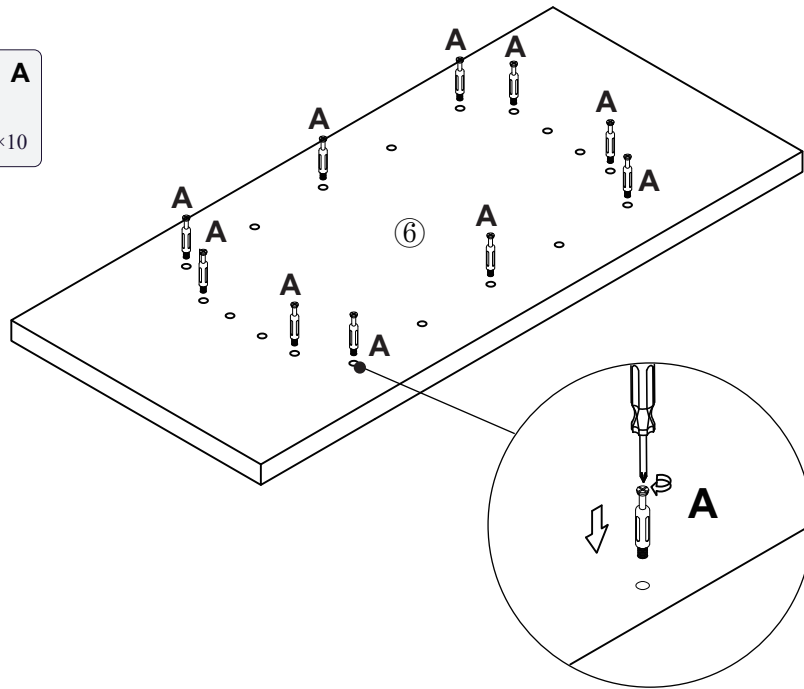
 After the assembly is completed, please adjust the placement position according to the actual situation.

 Keep children away from cabinets, accessories and installation tools.They are at risk of injury to the child.



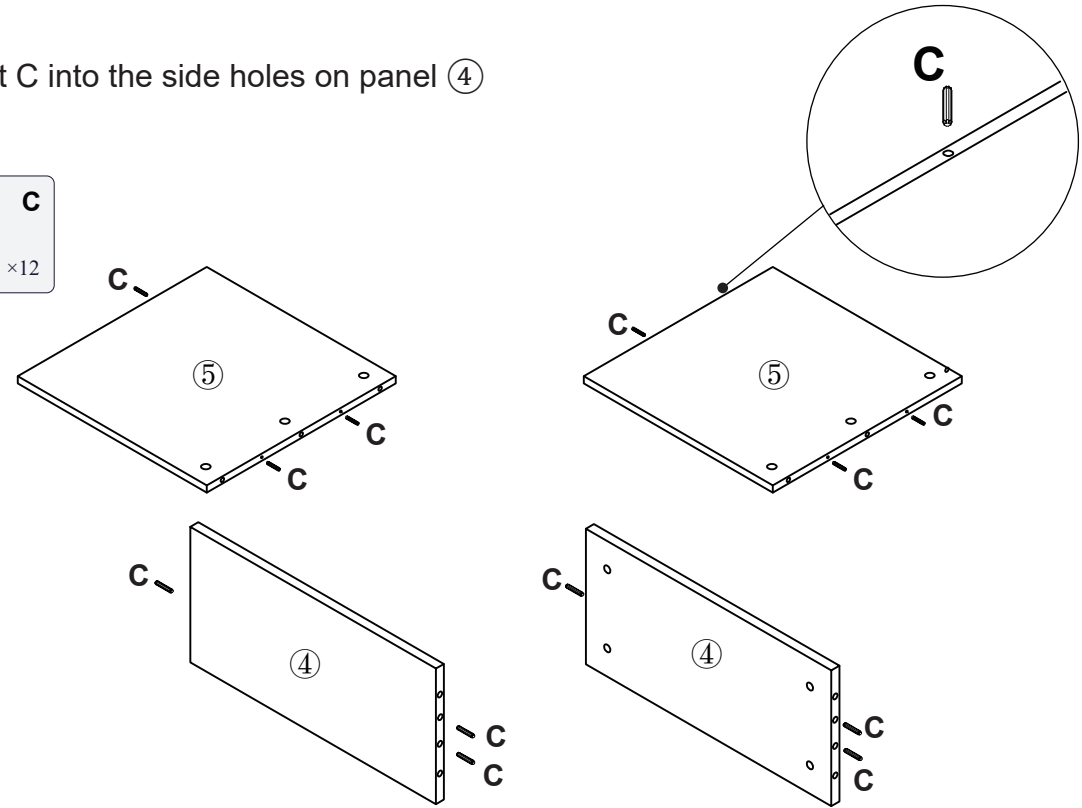
## STEP 1

Screw the bolt A into the pre-drilled holes on  
 ⑥ Panel.



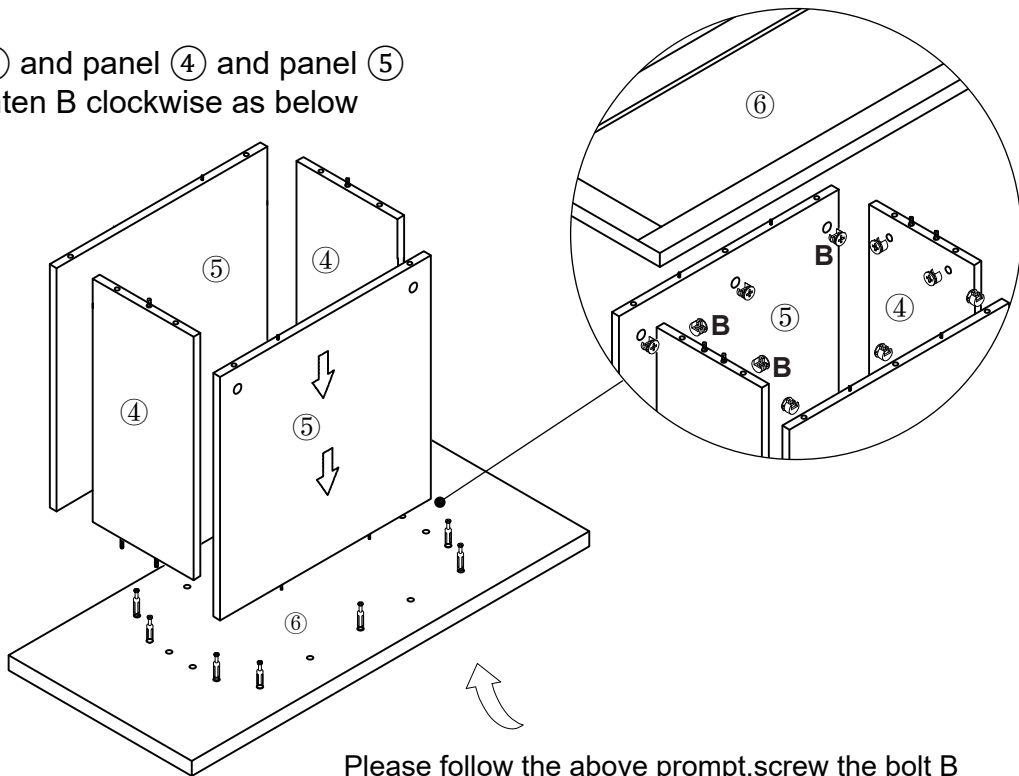
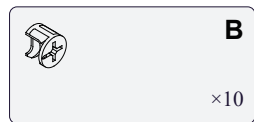
## STEP 2

Screw the bolt C into the side holes on panel ④  
 and panel ⑤.



### STEP 3

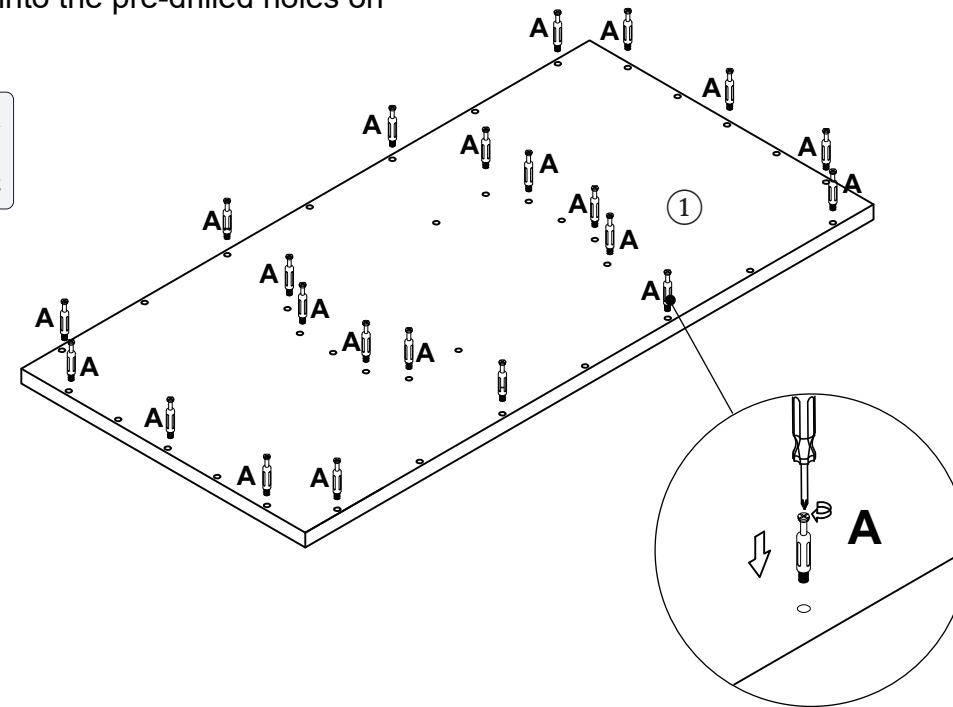
Connect the panel ⑥ and panel ④ and panel ⑤ with bolt B. Then tighten B clockwise as below shown:



Please follow the above prompt, screw the bolt B from inside of box.

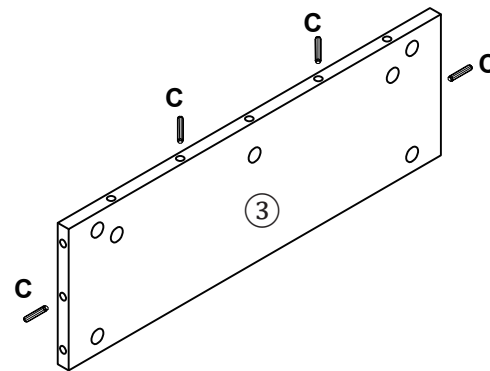
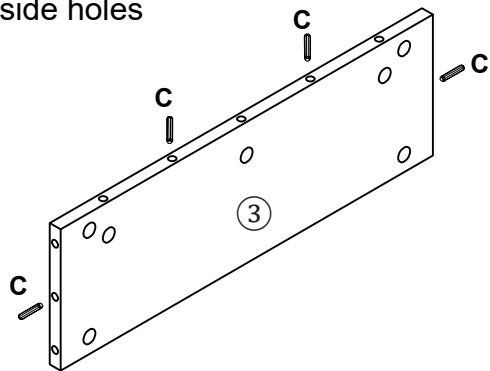
### STEP 4

Screw the bolt A into the pre-drilled holes on ① Panel



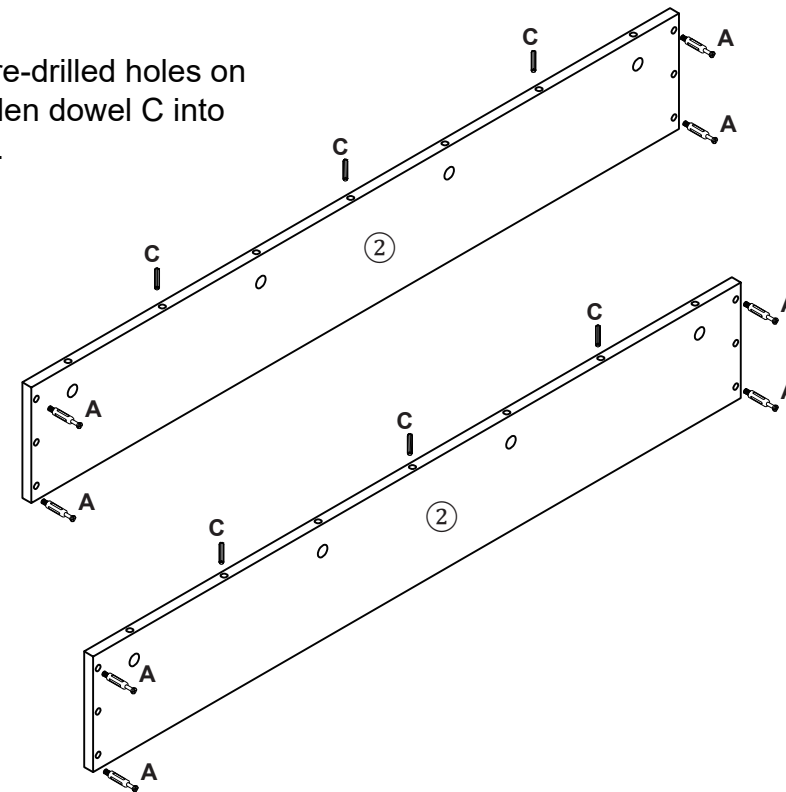
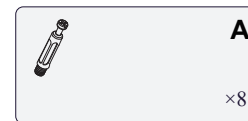
### STEP 5

Screw the wooden dowel C into the side holes on ③ Panel



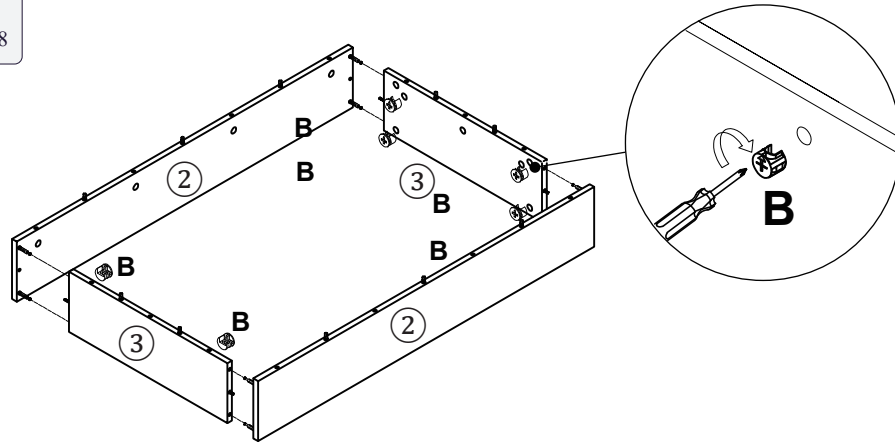
### STEP 6

Screw the bolt A into the pre-drilled holes on ② Panel; Screw the wooden dowel C into the side holes on ② Panel.



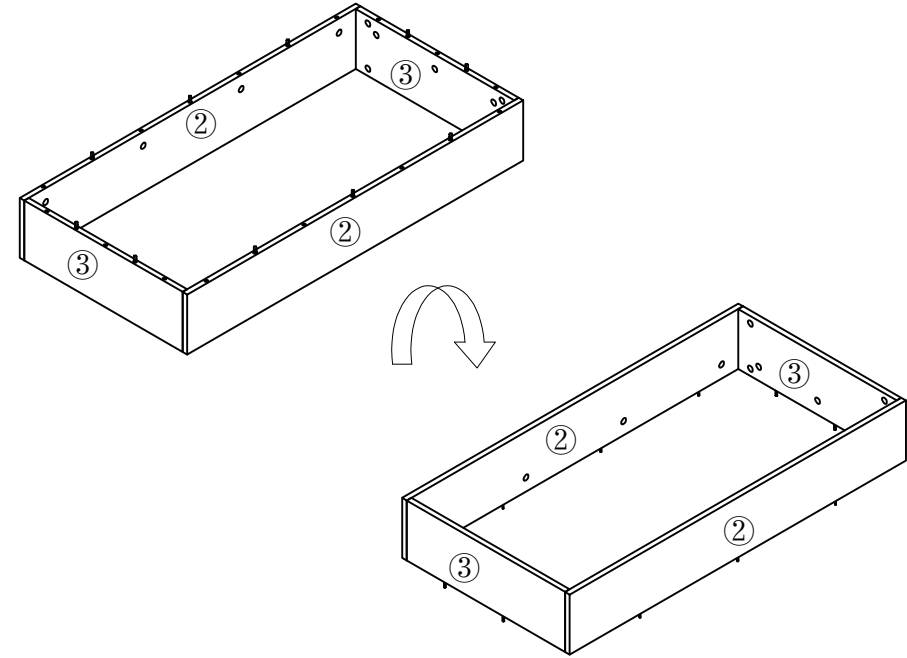
## STEP 7

Connect the ② Panel and ③ Panel with B (3 in 1 locking) Then tighten them at holes position clockwise,As below shown:



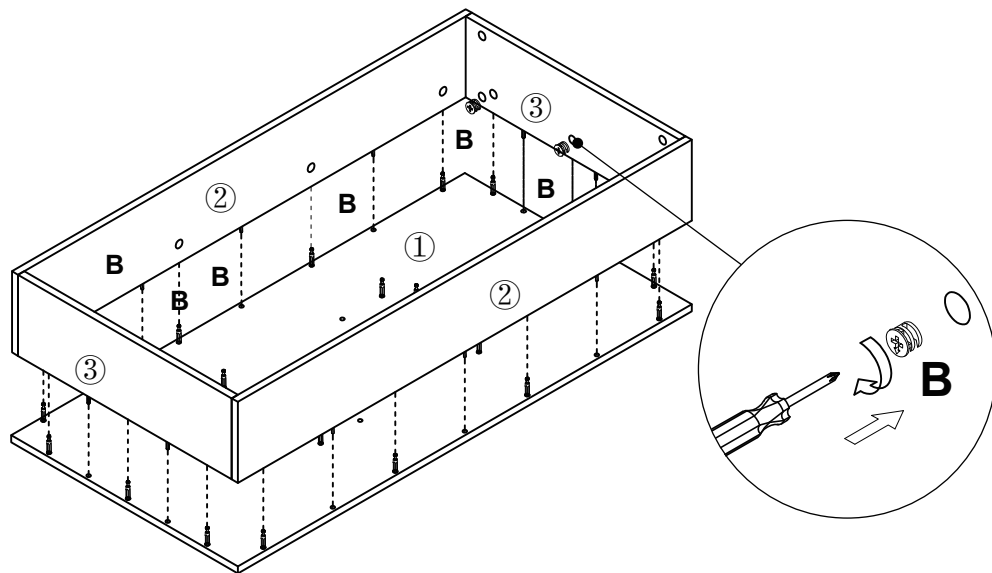
## STEP 8

Turn it over as below shown( It means that all Wooden dowel C should be facing down).



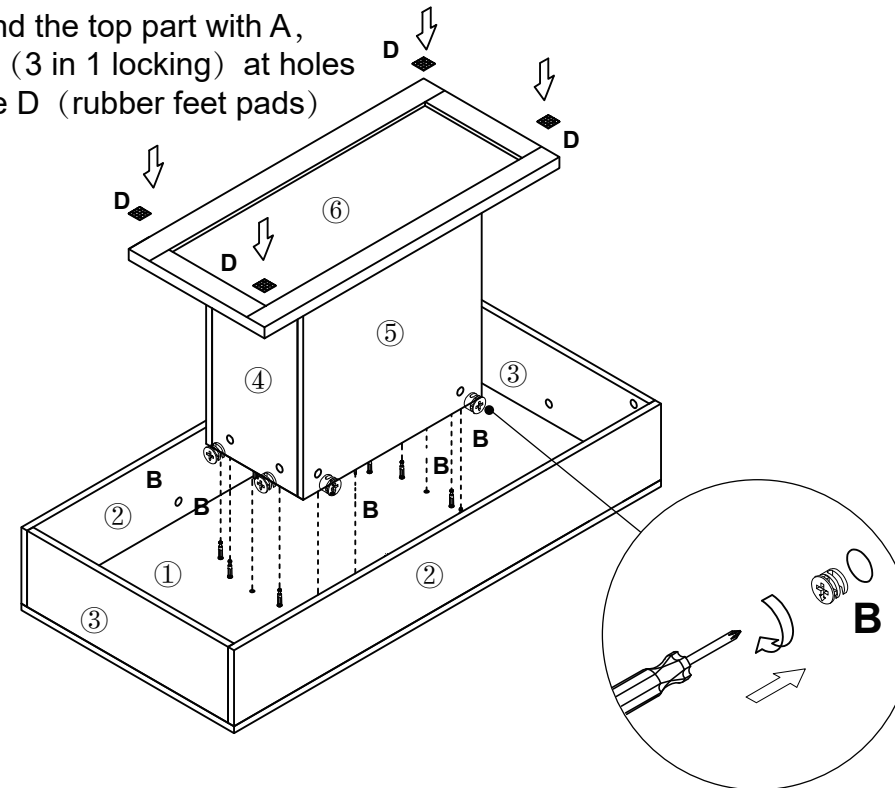
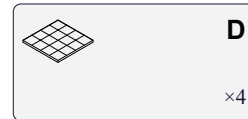
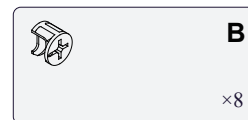
## STEP 9

Connect the ② and ③ Panel with ① Panel.  
Then tighten all panels with B (3 in 1 locking)  
at holes position clockwise. As below shown:



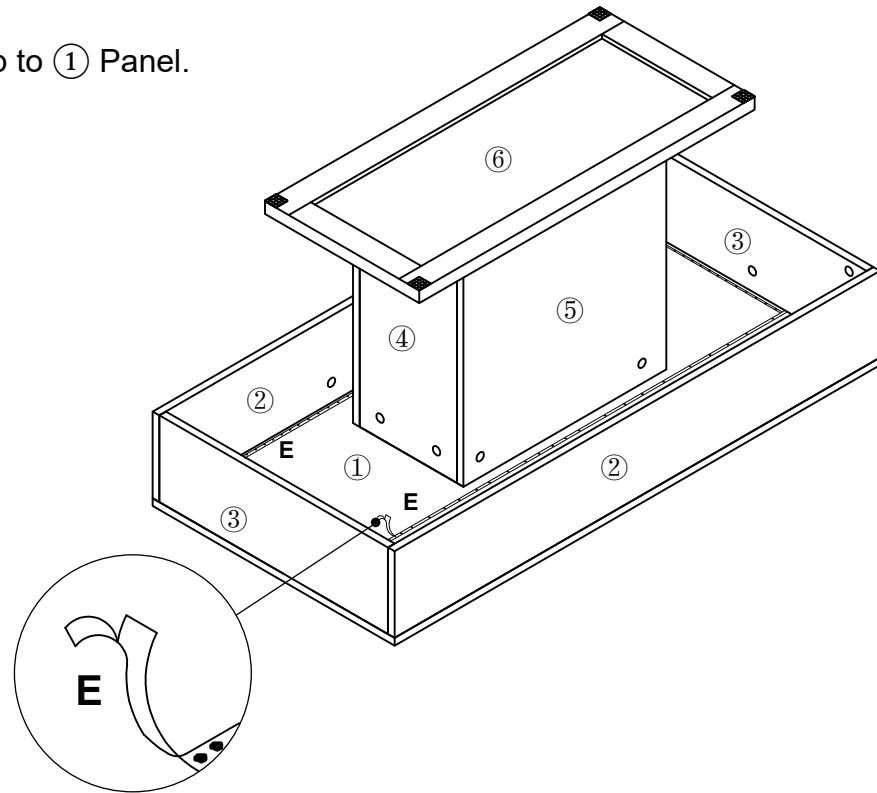
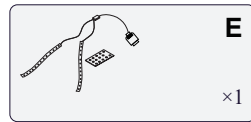
## STEP 10

Connect the bottom part and the top part with A,  
Tighten bottom part with B (3 in 1 locking)  
position clockwise. Stick the D (rubber feet pads)  
to the corner of ⑥ Panel.

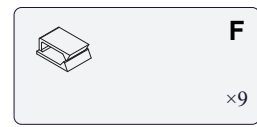
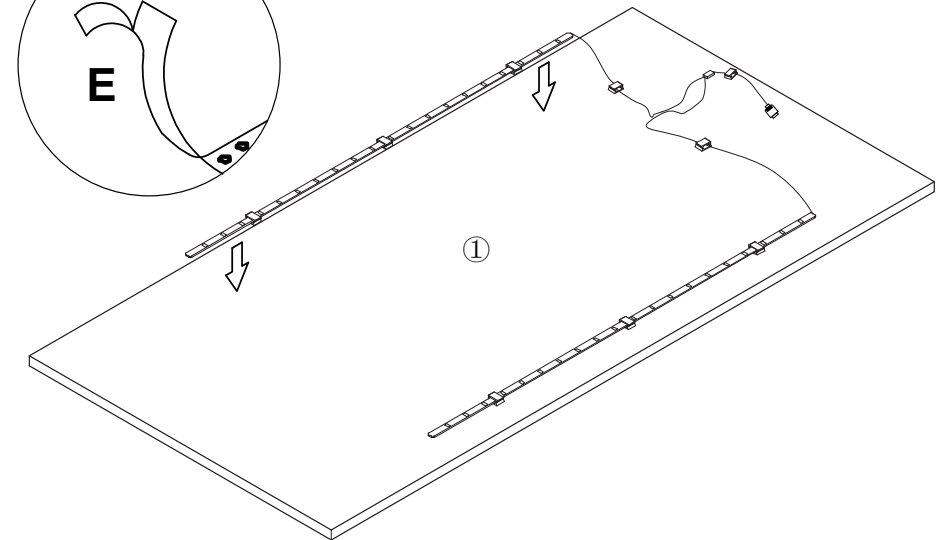
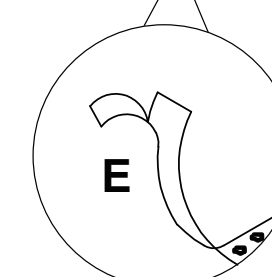
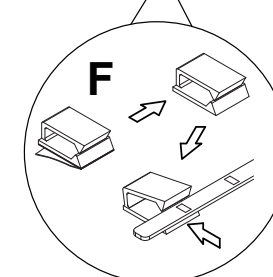
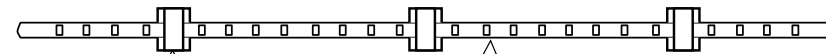


### STEP 11

Stick the LED Strip to ① Panel.



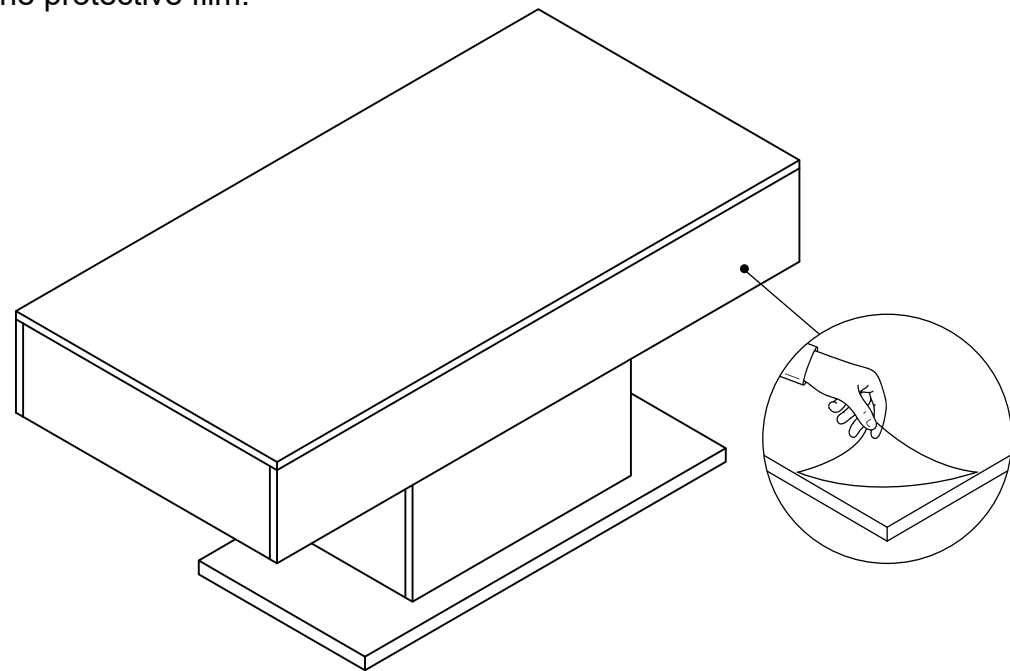
**Before installation, please remove the adhesive protective film of the LED lamp belt, insert the buckle into the lamp belt, and follow the instructions to attach the lamp belt**





## STEP 12

Remove the protective film.



## Installation Diagram of Light Belt

