

A		6x30	x4
B		6,5x27	x4
C		10x11	x4
D		71,4x20,5x15,5	x2
E		4x30	x4
F		3x15	x2

①

2xA

A		6x30	x4
---	--	------	----

②

2xB

2xB

B		6,5x27	x4
---	--	--------	----

③

2xC

2xC

C

C		10x11	x4
---	--	-------	----

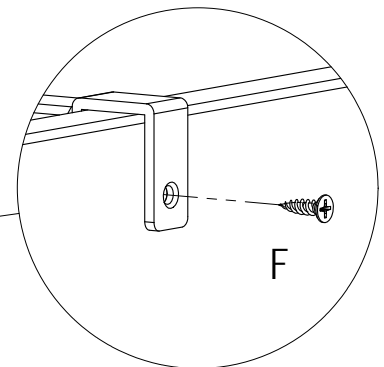
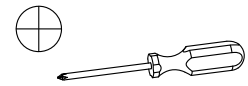
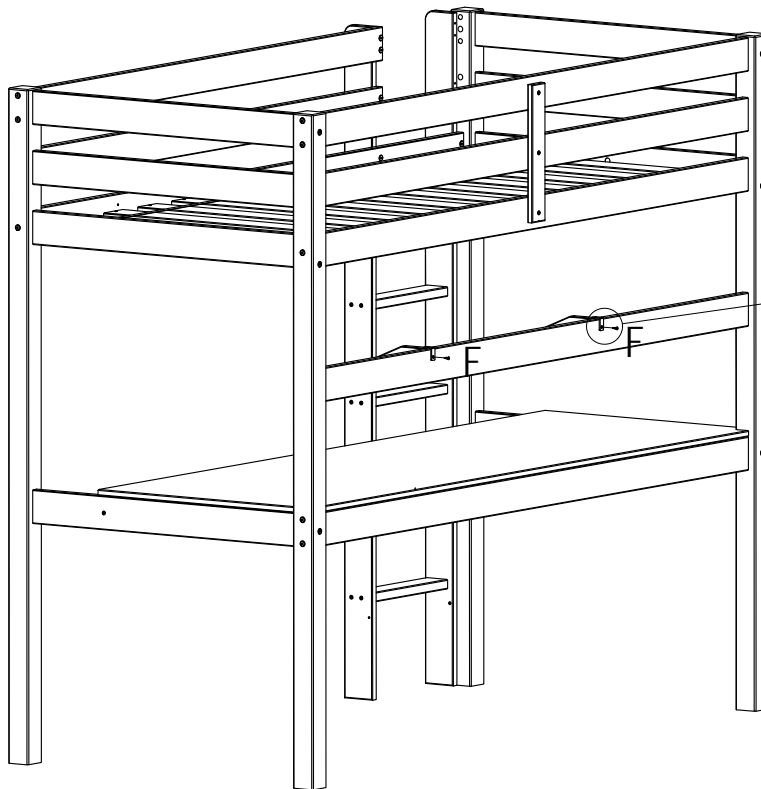
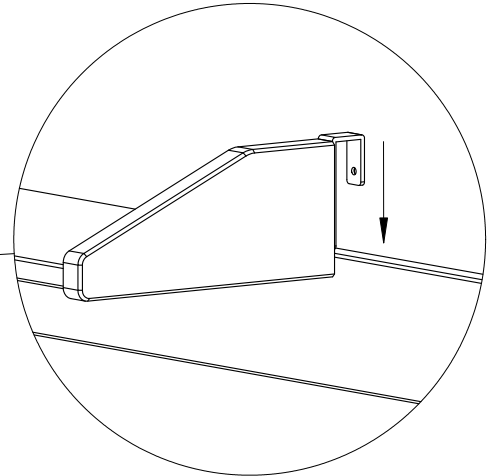
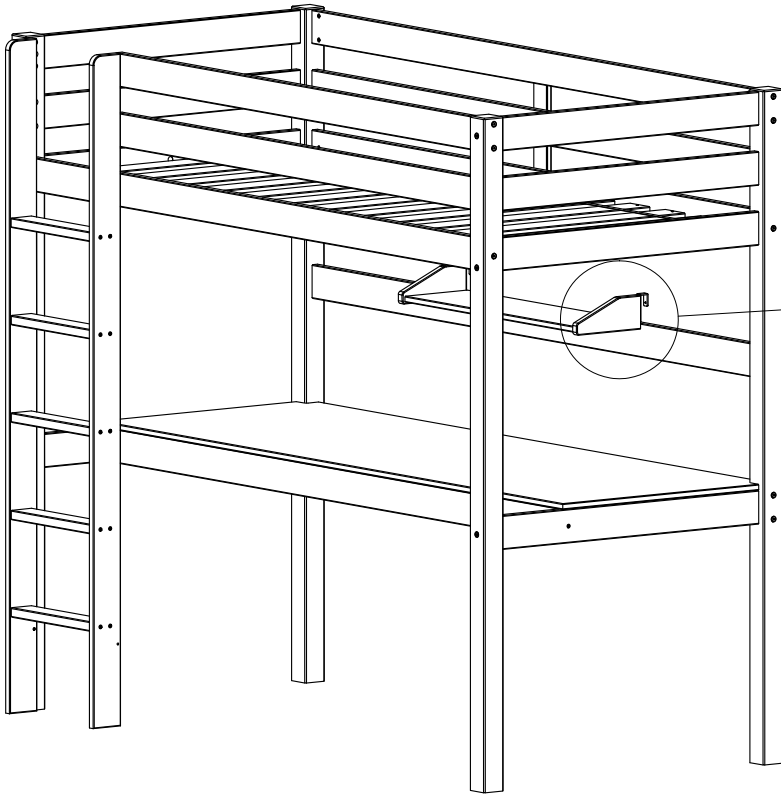
④


2xE

2xE

D		71,4x20,5x15,5	x2
E		4x30	x4

5



F		3,5x15	x2
---	---	--------	----