

LOCINOX

Let's make better fences together



SlimStone

MANUAL • HANDLEIDING • MANUEL
ANLEITUNG • INSTRUCCIONES
INSTRUKCJA • ИНСТРУКЦИИ

COPYRIGHT

Copyright® 2018 Locinox. All rights reserved. This product incorporates copyright protected technology that is protected by a number of EU patent method claims and other intellectual property rights owned by the Locinox Corporation and other rightholders.

Use of this copyright protected technology must be authorized by the Locinox Corporation. Reverse engineering or disassembly is prohibited.

No part of this publication can either be reproduced, communicated, transcribed, stored in a retrieval system or be translated into any language in any form or by any means, whether electronic, mechanical, magnetic, optical, chemical, manual or otherwise, unless explicit written consent has been given by the copyright holder.

NOTICE

The contents of this publication are subject to change. The Locinox Corporation reserves the right to alter the contents of this publication at any time and without notice. The contents of this publication may contain inaccuracies or typographical errors and is supplied for informational use only.

TECHNICAL SUPPORT


If you require any additional information or assistance during the installation, please contact your dealer, who will be able to provide the latest information. Alternatively, you can visit the Locinox website for more technical information or e-mail us on locinox@locinox.com. Please keep the serial number at hand of your product for future support.

SlimStone


MANUAL • HANDLEIDING
MANUEL • ANLEITUNG
INSTRUCCIONES • INSTRUKCJA
ИНСТРУКЦИИ


SlimStone




 Up to 100 entry codes


IP 68 Extreme weather proof

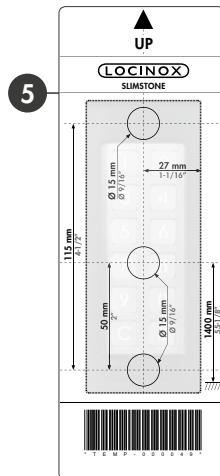
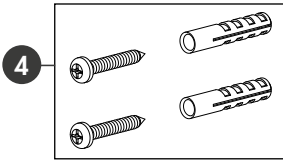
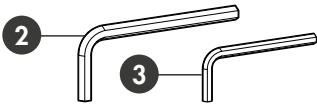
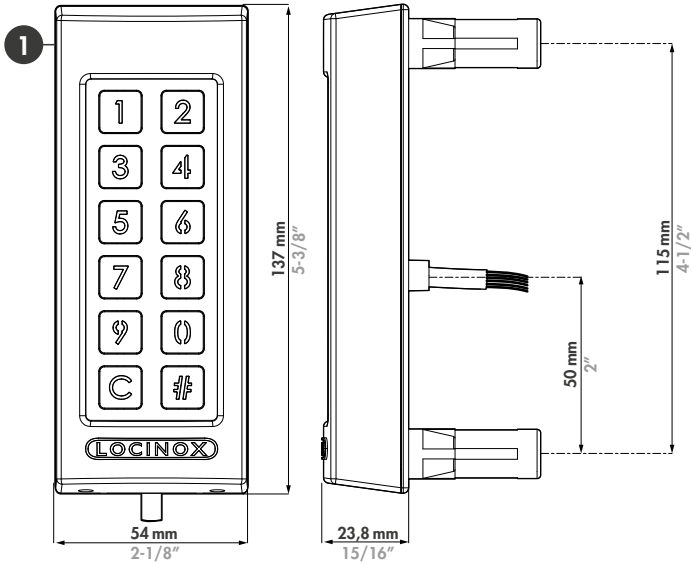
 Override contact included

 Freeze-free by heating element

 Easily readable digits by LED lighting

 Ultimate durable components

BOX CONTENT



- 1 SlimStone
- 2 Allen key 6 mm
- 3 Allen key 2,5 mm
- 4 Wall mounting set
- 5 Drilling template

CONTENTS

EN	1. PRODUCT DESCRIPTION	8
	2. TECHNICAL SPECIFICATIONS	8
	3. MOUNTING	8
	4. CABLING	10
	5. FUNCTIONING OF SLIMSTONE	10
	6. PROGRAMMING	11
	7. MAINTENANCE	12
	8. GENERAL INFORMATION.....	12
	9. WARRANTY.....	12
	10. TROUBLESHOOTING	13
	11. FREQUENTLY ASKED QUESTIONS.....	13
	12. USER CODES.....	52
	13. CONNECTION SCHEME.....	55
NL	1. PRODUCTOMSCHRIJVING	14
	2. TECHNISCHE FICHE.....	14
	3. MONTAGE	14
	4. BEDRADING	16
	5. WERKING.....	16
	6. PROGRAMMATIE	17
	7. ONDERHOUD.....	18
	8. ALGEMENE INFORMATIE.....	18
	9. GARANTIE.....	19
	10. PROBLEEMOPLOSSING	19
	11. VEELGESTELDE VRAGEN	19
	12. GEBRUIKERSCODES	52
	13. AANSLUITSCHEMA	55
FR	1. DESCRIPTION DU PRODUIT	20
	2. SPÉCIFICATIONS TECHNIQUES	20
	3. MONTAGE	20
	4. CÂBLAGE	22
	5. FONCTIONNEMENT DU SLIMSTONE.....	22
	6. PROGRAMMATION	23
	7. ENTRETIEN	24
	8. INFORMATIONS GÉNÉRALES	24
	9. GARANTIE.....	25
	10. AIDE AU DÉPANNAGE.....	25
	11. QUESTIONS SOUVENT POSÉES	25
	12. CODES D'UTILISATEUR	52
	13. SCHÉMA DE CONNEXION	55
DE	1. PRODUKTBSCHREIBUNG	26
	2. TECHNISCHE SPEZIFIKATIONEN	26
	3. MONTAGE	26
	4. VERKABELUNG.....	28
	5. FUNKTIONSWEISE DER SLIMSTONE	28
	6. PROGRAMMIERUNG	29
	7. WARTUNG.....	31
	8. ALLGEMEINE INFORMATIONEN	31
	9. GARANTIE.....	31
	10. FEHLERBEHEBUNG.....	31
	11. HÄUFIG GESTELLTE FRAGEN.....	32
	12. BENUTZERCODES.....	52
	13. VERBINDUNGSSCHEMA	55

ES

1.	DESCRIPCIÓN DEL PRODUCTO	33
2.	ESPECIFICACIONES TÉCNICAS	33
3.	MONTAJE	33
4.	CABLEADO	35
5.	FUNCIONAMIENTO DEL SLIMSTONE	35
6.	PROGRAMACIÓN	36
7.	MANTENIMIENTO	38
8.	INFORMACIÓN GENERAL	38
9.	GARANTÍA	38
10.	LOCALIZACIÓN DE AVERÍAS	38
11.	PREGUNTAS FRECUENTES	38
12.	CÓDIGOS DE USUARIO	52
13.	ESQUEMA DE CONEXIÓN	55

PL

1.	OPIS PRODUKTU	40
2.	DANE TECHNICZNE	40
3.	INSTALACJA	40
4.	PRZEWODY PODŁĄCZENIOWE	42
5.	OBSŁUGA URZĄDZENIA SLIMSTONE	42
6.	PROGRAMOWANIE	43
7.	KONSERWACJA	45
8.	INFORMACJE OGÓLNE	45
9.	GWARANCJA	45
10.	ROZWIĄZYWANIE PROBLEMÓW	45
11.	CZĘSTO ZADAWANE PYTANIA	45
12.	KODY UŻYTKOWNIKÓW	52
13.	SCHEMAT PODŁĄCZENIA	55

RU

1.	ОПИСАНИЕ ПРОДУКТА	46
2.	ТЕХНИЧЕСКИЕ ДАННЫЕ	46
3.	МОНТАЖ	46
4.	ПРОВОЛОЧНАЯ АРМАТУРА	48
5.	РАБОТА SLIMSTONE	48
6.	ПРОГРАММИРОВАНИЕ	49
7.	ОБСЛУЖИВАНИЕ	50
8.	ОБЩАЯ ИНФОРМАЦИЯ	50
9.	ГАРАНТИЯ	50
10.	ВЫЯВЛЕНИЕ НЕИСПРАВНОСТЕЙ	51
11.	ЧАСТО ЗАДАВАЕМЫЕ ВОПРОСЫ	51
12.	КОДЫ ПОЛЬЗОВАТЕЛЕЙ	52
13.	СХЕМА ПОДКЛЮЧЕНИЯ	55

Congratulations with the purchase of your SlimStone

EN 1. PRODUCT DESCRIPTION

The SlimStone is a sturdy, weather resistant keypad with integrated LED lighting. This keypad is unique in its kind thanks to its durability. Developed and tested for use in the most extreme weather conditions, SlimStone guarantees access control in all circumstances.

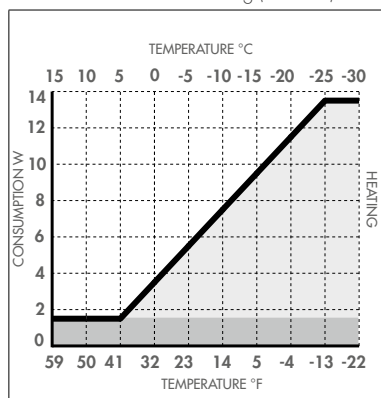
Thanks to the integrated relay, with a normally open and normally closed contact, both the coupling to Locinox and other automation products and the programming of the SlimStone are very easy. Equipped with innovative Quick-Fix, alternative fixings for wood and stone are also supplied.

The SlimStone is made of an aluminium powder-coated housing with a brushed stainless steel key panel and ditto push buttons.

Up to 100 codes can be programmed.

2. TECHNICAL SPECIFICATIONS

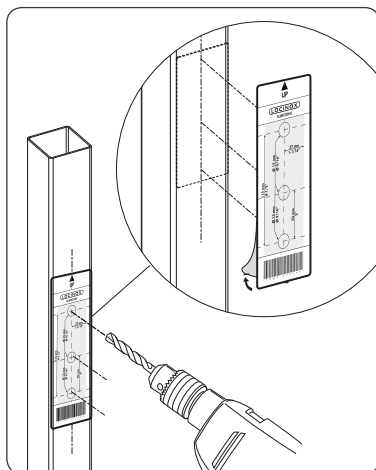
Operational temperature	-22°F up to 185°F -30°C up to 85°C
Power supply	12-24 V AC/DC
Switching contact	0-26 V AC/DC, 2A (60W)
Cable length	2m (6-1/2ft.)
IP value	IP68
Input	2-wire low voltage (5V) priority contact
Consumption	1,5W (> 5°C) + 12W at max heating (< -25°C)



3. MOUNTING

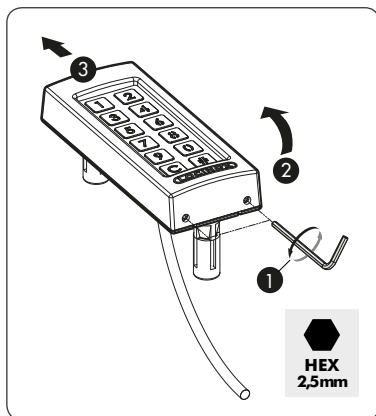
STEP 1

Stick the template and drill into the wall or post (see p.5).



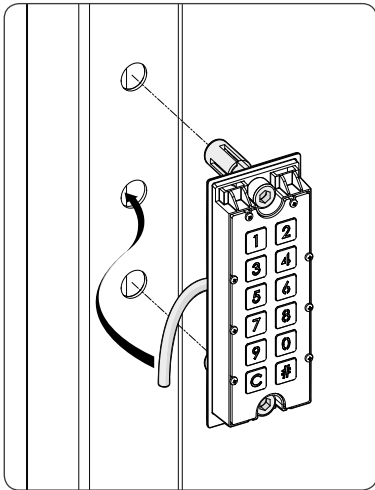
STEP 2

Remove the cover of the SlimStone.

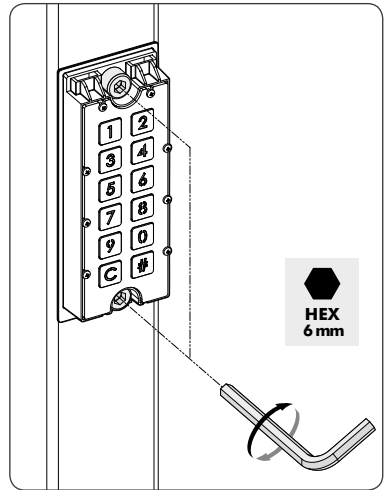


STEP 3A

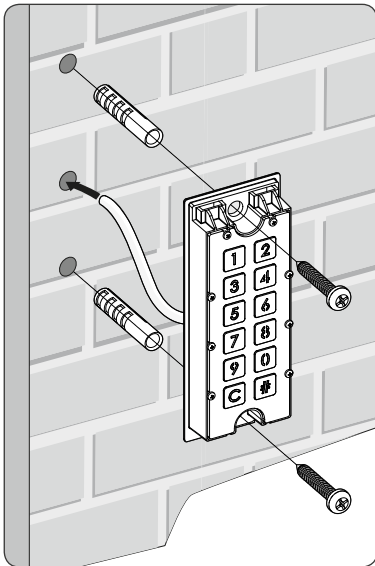
Run the cable through the middle hole in the post.

**STEP 4**

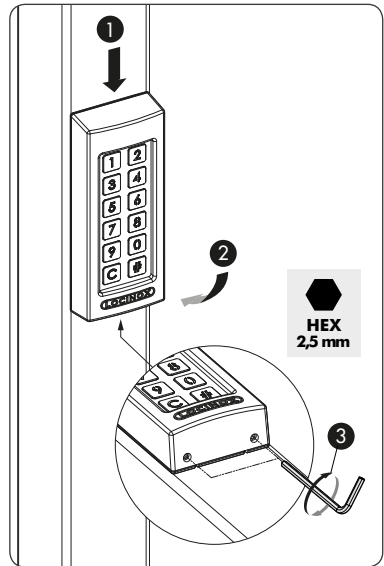
Position the SlimStone and tighten both Quick-Fix.

**EN****STEP 3B**

Run the cable through the middle hole in the wall.

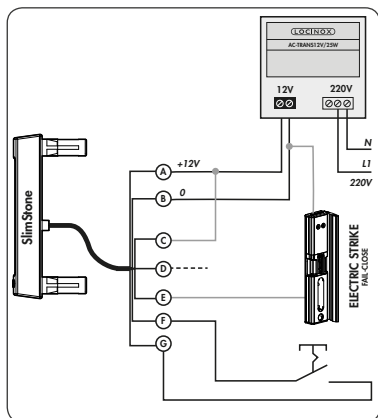
**STEP 5**

Position the cover and tighten thanks to the 2 screws underneath.



4. CABLING

The SlimStone is equipped with a 7 conductor cable which is 2m long.



See p. 55 for a detailed connection scheme.

Power supply

A	▶ AC1	▶ Blue
B	▶ AC2	▶ Brown

Relay

C	▶ Relais COM	▶ Black
D	▶ Relais NC	▶ Red
E	▶ Relais NO	▶ Orange

Override button

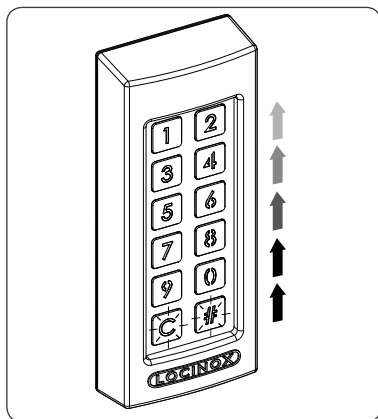
F	▶ NO button	▶ White
G	▶ COM button	▶ Green

⚠ Unused cable ends must be insulated separately to ensure a proper functioning of the keypad.

5. FUNCTIONING OF SLIMSTONE

5.1 ENTER A CORRECT CODE

- Enter a personal code (min. 4 - max. 8 digits).
- Press **#** to confirm the code.
- A light sequence runs from the bottom to the top during the time the relay is energised (default time = 8 seconds).



- If the sequence light stops, the relay is no longer energised. The SlimStone is ready for a new code.

5.2 ENTER A WRONG CODE

- Enter a wrong code.
- Press **#** to confirm the code
- All lights flash for 2 seconds, indicating a wrong code has been entered.
- If 5 or more wrong codes are entered consecutively, you won't be able to use the SlimStone for a certain period due to safety reasons. The time out period is specified as follows :
 $2^{\text{(number of failed attempts)}}$ seconds.

For example : 6 failed attempts result in a time out period of 64 seconds (2^6 seconds).

✎ The time out period is reset when a correct code is entered, or if no new code was entered during 2 hours.

5.3 PRIORITY CONTACT

- An external button or actuator can be connected to overrule the SlimStone. For example an intercom, free exit, ...
- Connect the wires F & G according to the connection scheme on p55.
- The NO-contact of an external push-button should be connected between the "NO Button" (F) and the "COM button" (G).

⚠ Attention! This must be a dry contact with NO function.

- The light sequence is running from bottom to top during the time the relay is energized.

6. PROGRAMMING

6.1 ACCESS PROGRAMMING MODE

- Press **#** for 5 sec, after the LEDs will flash.
- Enter the Master PIN (see 6.3) and press **#**. If correct, **#** will remain lit as long as the programming mode is activated. When a wrong code is entered, all keys will flash.

! If only **#** is lit, you are in the main menu of the programming mode.

- Select a menu number (see 6.2) and confirm with **#**.

✎ The programming mode ends automatically when there is no activity for 60 seconds.

- Press **C** to move up one menu.
- If a wrong Master PIN is entered, the programming mode ends and the time out procedure as described in 5.2 applies.
- Press **C** for 5 seconds to exit the programming mode.

6.2 OVERVIEW

- 9** ▶ set a Master PIN
- 1** ▶ add a PIN code
- 2** ▶ delete a PIN code
- 3** ▶ set hold time
- 4** ▶ set lighting mode
- 0** ▶ factory reset

6.3 SET MASTER PIN

- Access programming mode (see 6.1).

! For safety reasons we strongly recommend to change the Master PIN upon first use.

- Press **9** and confirm with **#**.
- **9** and **#** are both lit.

✎ The default Master PIN is 12345. It always has to be a 5-digit code.

- Enter a new 5-digit Master PIN and press **#**. Repeat this step.
- If both codes are equal, all LEDs will light briefly and you will return to the main menu of the programming mode.

! When two different codes or a wrong code length is entered, all LEDs will flash three times, indicating the code hasn't been saved. Try again. **9** will remain lit.

- For safety reasons, the Master PIN can only be entered to access the programming mode. It cannot be used as an entry code.

6.4 ADD A PIN CODE

- Access programming mode (see 6.1).

! A maximum of 100 different PIN codes can be programmed (min. 4 - max. 8 digits).

- Press **1** and confirm with **#**.
- **1** and **#** are both lit.
- Enter a new PIN code and confirm with **#**. Repeat this step.
- If both codes are equal, the new PIN code is saved. All LEDs will light briefly.
- You will return to the main menu of the programming mode.

! When two different codes or a wrong code length is entered, all keys will flash three times, indicating the code setting hasn't been saved. Try again. **1** will remain lit.

6.5 REMOVE PIN CODE

- Access programming mode (see 6.1).
- Press **2** and confirm with **#**.
- **2** and **#** are both lit.
- Press the PIN code you wish to delete and press **C**. Repeat this step.
- All LEDs are briefly lit, indicating the code is deleted.
- You will return to the main menu of the programming mode.


! When two different codes or a wrong code length is entered, all keys will flash three times, indicating the code wasn't deleted. Try again. **2** will remain lit.

6.6 SET HOLD TIME

- Access programming mode (see 6.1).
- Press **3** and confirm with **#**.
- **3** and **#** are both lit.
- Enter the time (between 1 and 99 seconds) and confirm with **#**.
- A valid time is confirmed with a brief lighting of all LEDs.
- You will return to the main menu.

⚠ Pulse mode : if the SlimStone is used to control automated systems, a pulse is required. This mode can be activated by setting a time of 0 seconds. The pulse duration is 150ms.

⚠ In case an invalid time is entered, all keys will flash three times. Menu **3 remains activated.**

 The default time is set at 8 seconds.

6.7 SET LIGHTING MODE

- Access programming mode (see 6.1).
- Press **4** and confirm with **#**.
- **4** and **#** are both lit.
- Choose the mode in which you want the lighting to work:
 - 1** Always on
 - 2** Off after 45 seconds
The lighting is switched off after 45 seconds inactivity. As soon as a key is pressed, the lighting is back on for a minimum time of 45 seconds.
- Press **1** or **2** and confirm with **#**.
When all LEDs flash, your choice is saved.
- You are back in the main menu of the programming mode.

⚠ If an invalid number is entered, all lights flash three times. Start over. Menu **4 remains activated.**

6.8 FACTORY RESET

- Access programming mode (see 6.1).
- Press **0** and confirm with **#**.
- **0** will flash rapidly to indicate an irreversible action can be taken.
- Enter the Master PIN and confirm with **#** for

2 seconds.

- When all LEDs flash, the factory reset is complete. All settings are restored to default values except for the Master PIN.

6.9 FACTORY RESET UPON LOSS OF MASTER PIN

Perform a factory reset without a Master PIN:

- Switch the power supply off and on, enter the standard Master PIN '12345' and confirm with **#** within 20 seconds.
- The factory reset is complete.
- In case of a factory reset as described above, the Master PIN is reset to '12345'.

7. MAINTENANCE

- Clean the housing and display using a soft cloth, moistened with a neutral cleaning agent.
- Never use fuel or other chemical means on the device since they might harm the housing.

8. GENERAL INFORMATION

- Please observe the local regulations on the deposit of packaging material and of appliances no longer in use.
- Our packaging material is eco-friendly. It can be divided into 2 materials: cardboard (box) and expandable polyester (buffer).
- Your device is made of recyclable materials.

9. WARRANTY

A 2 year warranty covers all electronics.

10. TROUBLESHOOTING

PROBLEM	SOLUTION
<ul style="list-style-type: none">All lights are flashing.	<ul style="list-style-type: none">When wrong codes have been entered repeatedly, the SlimStone is blocked. See 5.2.
<ul style="list-style-type: none">The SlimStone lighting is off after pushing a button.	<ul style="list-style-type: none">Verify the power supply connection.
<ul style="list-style-type: none">The SlimStone does not react after entering the code.	<ul style="list-style-type: none">Entering a code must always be confirmed with #.
<ul style="list-style-type: none">The sequence light remains lit.	<ul style="list-style-type: none">Check if the cables of the override button are insulated.Possibly you set a time of 99 seconds.
<ul style="list-style-type: none">The lights flash after entering the PIN code and confirmation by pressing #.	<ul style="list-style-type: none">The entered code does not match any of the registered codes. See 5.2.

EN

11. FREQUENTLY ASKED QUESTIONS

QUESTION	ANSWER
<ul style="list-style-type: none">Is the keypad heated?	<ul style="list-style-type: none">Yes, SlimStone has a regulated heating system which keeps the keys frost-free.
<ul style="list-style-type: none">How weatherproof is the SlimStone?	<ul style="list-style-type: none">SlimStone is designed to comply with the IP68 standard.
<ul style="list-style-type: none">Can I use the SlimStone with sectional doors?	<ul style="list-style-type: none">Yes, by setting the relay hold time to 0, a pulse is given with which sectional doors can be controlled.



A discarded device can either be returned to your dealer or be sent back to Locinox. This product's recycling fee is € 0,2.



The WEE marking on the product indicates that it may not be thrown away together with normal household waste and must be handed over to a designated collection point for the recycling of electrical and electronic rejects.



As manufacturer of this product, we guarantee that we have taken all the necessary steps in order to comply with the current safety requirements for this product.

Proficiat met de aankoop van uw SlimStone

1. PRODUCTOMSCHRIJVING

SlimStone is een robuust en weersbestendig codeklavier met geïntegreerde ledverlichting. Het codeklavier is uniek door zijn duurzaamheid. SlimStone werd ontwikkeld en getest voor gebruik in de meest extreme weersomstandigheden, en staat daarom garant voor een permanente toegangscontrole in alle omstandigheden.

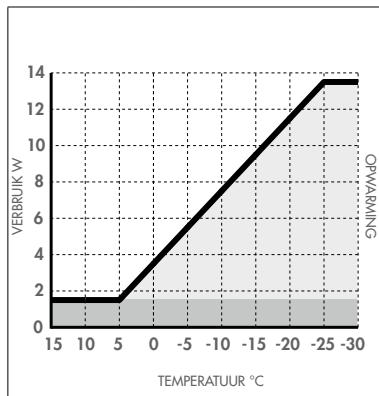
Dankzij het ingebouwde relais, met 1 normaal open contact en 1 normaal gesloten contact, zijn de aansluiting op Locinox- en andere automatiseringsproducten én de programmering van SlimStone zeer eenvoudig. Naast onze innovatieve Quick-Fix zijn andere bevestigingsystemen voor hout en steen ook beschikbaar.

SlimStone bestaat uit een aluminium gepoederlakte behuizing met een klavier en drukknooppunten van geborstelde inox.

Maximaal 100 codes kunnen ingesteld worden.

2. TECHNISCHE FICHE

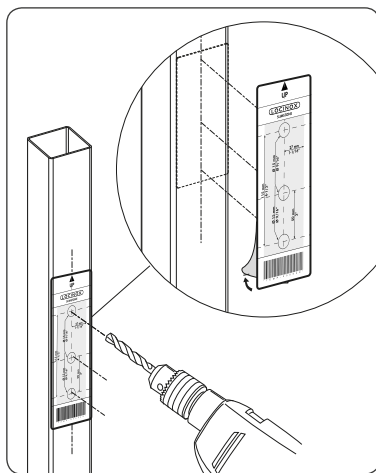
Werkings-temperatuur	-30°C tot 85°C
Voeding	12-24 V AC/DC
Schakelen	0-26 V AC/DC, 2A (60W)
Kabellengte	2m (6-1/2ft.)
IP-waarde	IP68
Ingangssignaal	tweedraadslaagspanning (5V) voorrangcontact
Verbruikstemperatuur	1,5W (> 5°C) +12W bij maximale opwarming (< -25°C)



3. MONTAGE

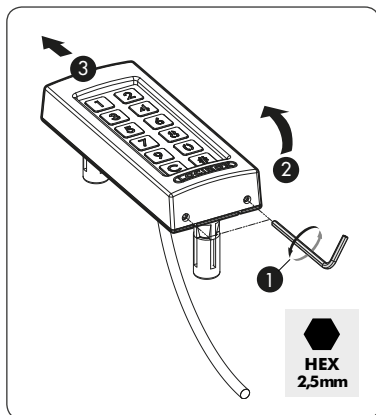
STAP 1

Kleef het sjabloon en boor in de muur of paal (zie pag. 5).



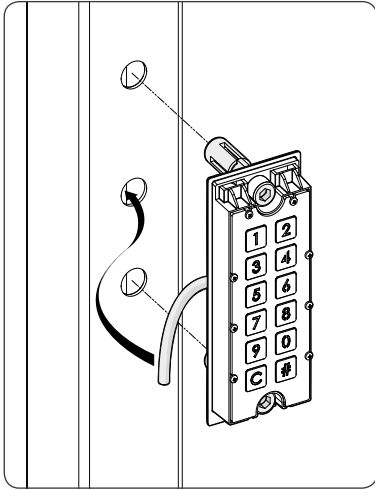
STAP 2

Verwijder de behuizing van uw SlimStone.



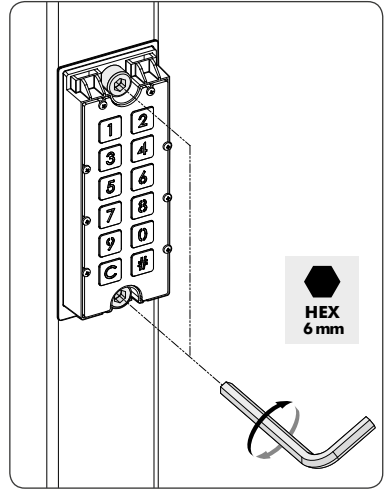
STAP 3A

Plaats de kabel door het middelste gat in de paal.



STAP 4

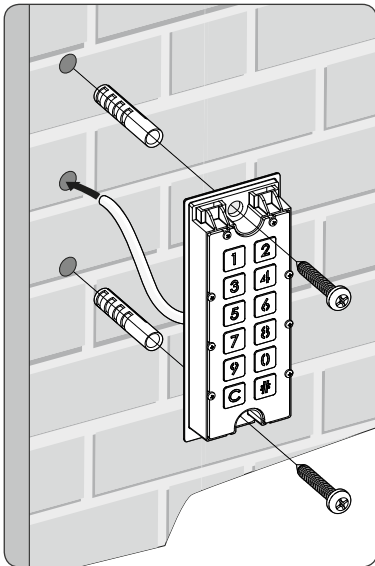
Positioneer SlimStone en span beide Quick-Fix bevestigingen aan.



NL

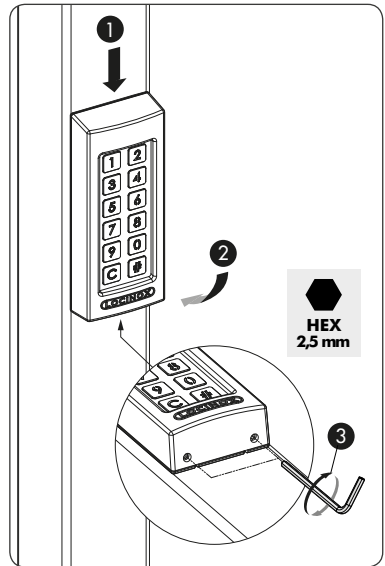
STAP 3B

Plaats de kabel door het middelste gat in de muur.



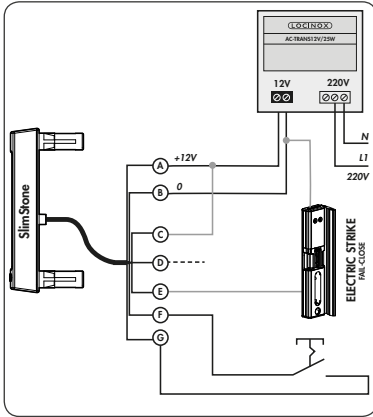
STAP 5

Plaats de behuizing terug en draai de 2 schroeven onderaan vast.



4. BEDRADING

SlimStone is uitgerust met een 7-aderige kabel van 2 meter lang.



NL

Zie pag. 55 voor een gedetailleerd verbindingsschema.

Stroom

A ▶ AC1 ▶ blauw

B ▶ AC2 ▶ bruin

Relais

C ▶ Relais COM ▶ zwart

D ▶ Relais NC ▶ rood

E ▶ Relais NO ▶ oranje

Overbruggingsknop

F ▶ NO-knop ▶ wit

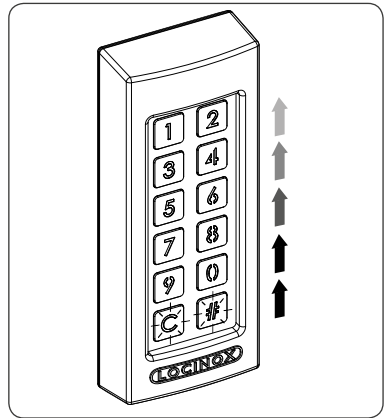
G ▶ COM-knop ▶ groen

⚠ Ongebruikte kabeluiteinden moeten afzonderlijk afgeschermd worden om een goede werking van het klavier te garanderen.

5. WERKING

5.1 CORRECTE CODE

- Voer een persoonlijke code in (min. 4 en max. 8 cijfers).
- Druk op **#** om de code te bevestigen.
- Er wordt een looplicht van onder naar boven weergegeven gedurende de tijd dat het relais geactiveerd is (standaardtijd = 8 seconden).



- Indien het looplicht stopt, is het bekrachtigen van het relais ook gestopt en is het codeklavier weer klaar voor een nieuwe ingave.

5.2 FOUTE CODE

- Voer een foute code in.
- Druk op **#** om de code te bevestigen.
- Alle lichten knipperen gedurende 2 seconden om aan te tonen dat een foute code ingegeven werd.
- Indien 5 of meer keer na mekaar een foute code ingevoerd wordt, zal u de SlimStone omwille van veiligheidsredenen even niet meer kunnen gebruiken. De pauzetijsd wordt als volgt berekend:
 $2^{(\text{aantal mislukte pogingen})}$ seconden.

Bijvoorbeeld: 6 mislukte pogingen => pauzetijsd van 64 seconden (2⁶ seconden).

✎ De pauzetijsd wordt opnieuw ingesteld wanneer een juiste code ingegeven wordt, of indien twee uur lang geen nieuwe code ingevoerd werd.

5.3 VOORRANGSCONTACT

- Een externe knop of signaalgever kan aangesloten worden en is prioritair ten opzichte van SlimStone. Bijvoorbeeld een intercom, vrije uitgang, enz.
- Sluit kabels F en G aan volgens het aansluitingsschema op pag. 55.
- Het NO-contact van een externe drukknop moet verbonden worden tussen de NO-knop (F) en de COM-knop (G.)

⚠ **Opgelet:** dit moet een droog contact zijn met NO-werking.

- Het looplicht gaat van onder naar boven gedurende de tijd dat het relais geactiveerd is.

6. PROGRAMMATIE

6.1 PROGRAMMATIEMODUS

- Druk gedurende 5 sec. op **#**. Daarna knippert het lampje.
- Voer Master PIN in (zie 6.3) en druk op **#**. Indien correct, zal **#** blijven oplichten zolang de programmatiemodus geactiveerd is. Indien een foute code ingegeven werd, zullen alle toetsen knipperen.

⚠ Als enkel **#** oplicht, bevindt u zich in het hoofdmenu van de programmatiemodus.

- Selecteer een menu (zie 6.2) en bevestig met **#**.

✍ De programmatiemodus eindigt automatisch indien er gedurende 60 seconden geen activiteit is.

- Druk op **C** om naar het bovenliggende menu te gaan.
- Als een foute Master PIN ingevoerd werd, wordt de programmatiemodus beëindigd, en start de pauzeprocedure zoals beschreven in 5.2.
- Druk gedurende 5 seconden op **C** om de programmatiemodus te verlaten.

6.2 OVERZICHT

- 9** ▶ Master PIN instellen
- 1** ▶ pincode toevoegen
- 2** ▶ pincode verwijderen
- 3** ▶ contacttijd instellen
- 4** ▶ verlichtingsmodus instellen
- 0** ▶ reset fabrieksinstellingen

6.3 MASTER PIN INSTELLEN

- Ga naar programmatiemodus (zie 6.1).

⚠ Omwille van veiligheidsredenen raden wij u sterk aan de Master PIN bij het eerste gebruik te wijzigen.

- Druk op **9** en bevestig met **#**.
- **9** en **#** lichten op.

✍ De standaard Master PIN is 12345. Deze code moet altijd uit 5 cijfers bestaan.

- Voer een nieuwe Master PIN (5 cijfers) in en druk op **#**. Herhaal deze stap.
- Als beide ingevoerde codes overeenkomen, zullen alle LEDs kort oplichten en keert u terug naar het hoofdmenu van de programmeringsmodus.

NL

⚠ Indien twee verschillende codes ingevoerd werden, of als te weinig of te veel cijfers ingegeven werden, zullen alle LEDs drie keer knipperen om aan te geven dat de code niet bewaard werd. Probeer opnieuw. **9** blijft oplichten.

- Omwille van veiligheidsredenen kan de Master PIN enkel ingevoerd worden om naar de programmatiemodus te gaan. Deze code kan niet gebruikt worden als toegangscode.

6.4 PINCODE TOEVOEGEN

- Ga naar programmatie (zie 6.1).

⚠ U kan maximaal 100 verschillende pincodes programmeren (min. 4 en max. 8 cijfers).

- Druk op **1** en bevestig met **#**.
- **1** en **#** lichten allebei op.
- Voer een nieuwe pincode in en bevestig met **#**. Herhaal deze stap.
- Als beide ingevoerde codes overeenkomen, wordt de nieuwe pincode bewaard. Alle LEDs zullen kort oplichten.
- U keert terug naar het hoofdmenu van de programmatiemodus.

⚠ Indien twee verschillende codes ingevoerd werden, of als te weinig of te veel cijfers ingegeven werden, zullen alle toetsen drie keer knipperen om aan te geven dat de code niet bewaard werd. Probeer opnieuw. **1** blijft oplichten.

6.5 PINCODE VERWIJDEREN

- Ga naar programmatiemodus (zie 6.1).
- Druk op **2** en bevestig met **#**.
- **2** en **#** lichten allebei op.
- Selecteer de pincode die u wenst te verwijderen en druk op **C**. Herhaal deze stap.
- Alle LEDs lichten kort op om aan te geven dat de code verwijderd werd.

- U keert terug naar het hoofdmenu van de programmatiemodus.

⚠ Indien twee verschillende codes ingevoerd werden, of als te weinig of te veel cijfers ingegeven werden, zullen alle toetsen drie keer knipperen om aan te geven dat de code niet bewaard werd. Probeer opnieuw. **(2)** blijft oplichten.

6.6 CONTACTTIJD INSTELLEN

- Ga naar programmatiemodus (zie 6.1).
- Druk op **(3)** en bevestig met **(#)**.
- **(3)** en **(#)** lichten allebei op.
- Voer de tijd in (tussen 1 en 99 seconden) en bevestig met **(#)**.
- Een geldige tijd wordt bevestigd met een korte oplichting van alle LEDs.
- U keert terug naar het hoofdmenu.

⚠ Pulsmodus: als SlimStone gebruikt wordt om geautomatiseerde systemen te bedienen, is een puls vereist. Deze modus kan geactiveerd worden door een tijd van 0 seconden in te stellen. De pulsduur is 150 ms.

⚠ Indien een ongeldige duur ingevoerd werd, knipperen alle toetsen drie keer. Menu **(3)** blijft geactiveerd.

✎ De standaardtijd is ingesteld op 8 seconden.

6.7 VERLICHTINGSMODUS INSTELLEN

- Ga naar programmatiemodus (zie 6.1).
- Druk op **(4)** en bevestig met **(#)**.
- **(4)** en **(#)** lichten allebei op.
- Kies de verlichtingsmodus:
 - (1)** Altijd aan.
 - (2)** Na 45 seconden
De verlichting wordt na 45 seconden inactiviteit gedoofd. Zodra een toets ingedrukt wordt, gaat de verlichting weer aan voor een minimumduur van 45 seconden.
- Druk op **(1)** of **(2)** en bevestig met **(#)**.
Als alle LEDs knipperen, betekent het dat uw keuze bewaard werd.
- U bent terug in het hoofdmenu van de programmeringsmodus.

⚠ Indien een ongeldig getal ingevoerd werd, knipperen alle lichten drie keer. Begin opnieuw. Menu **(4)** blijft geactiveerd.

6.8 RESET FABRIEKINSTELLINGEN

- Ga naar programmatiemodus (zie 6.1).
- Druk op **(0)** en bevestig met **(#)**.
- **(0)** knippert snel om aan te geven dat een onomkeerbare handeling uitgevoerd kan worden.
- Voer de Master PIN in en bevestig door 2 seconden op **(#)** te drukken.

✎ Als alle LEDs knipperen, is de reset naar fabriekinstellingen voltooid. Alle instellingen zijn terug op de standaardwaarden ingesteld, behalve de Master PIN.

6.9 RESET NAAR FABRIEKINSTELLINGEN BIJ VERLIES VAN MASTER PIN

Voer een reset naar fabriekinstellingen uit zonder Master PIN:

- Schakel de stroom uit en terug aan, voer de Master PIN 12345 in en bevestig binnen de 20 seconden door op **(#)** te drukken. De reset naar fabriekinstellingen is dan voltooid.
- Bij een reset naar fabriekinstellingen zoals hierboven beschreven, wordt de Master PIN terug ingesteld als 12345.

7. ONDERHOUD

- Reinig de behuizing en het scherm met behulp van een zacht doekje bevochtigd met een neutraal schoonmaakmiddel.
- Gebruik nooit brandstof of een ander chemisch middel op het product omdat die de behuizing kan aantasten.

8. ALGEMENE INFORMATIE

- Gelieve rekening te houden met de plaatselijke reglementen inzake het afvoeren van verpakkingsmateriaal en van producten die niet meer gebruikt worden.
- Ons verpakkingsmateriaal is milieuvriendelijk. Het kan opgesplitst worden in 2 materialen: karton (doos) en rekbaar polyëster (buffers).
- Het door u gekochte product is gemaakt van recycleerbare materialen.

9. GARANTIE

De garantie van 2 jaar dekt alle elektronische onderdelen van het product.

10. PROBLEEMOPLOSSING

PROBLEEM	OPLOSSING
<ul style="list-style-type: none">Alle lichten knipperen.	<ul style="list-style-type: none">Als herhaaldelijk een foute code ingegeven wordt, wordt SlimStone geblokkeerd. Zie 5.2.
<ul style="list-style-type: none">De SlimStone-verlichting is uit na het indrukken van een knop.	<ul style="list-style-type: none">Controleer de stroomaansluiting.
<ul style="list-style-type: none">SlimStone reageert niet na het invoeren van de code.	<ul style="list-style-type: none">Het invoeren van een code moet altijd bevestigd worden met #.
<ul style="list-style-type: none">Het looplicht blijft oplichten.	<ul style="list-style-type: none">Controleer of de kabels van de voorrangcontact afgeschermd zijn.Mogelijks werd een duur van 99 seconden ingesteld.
<ul style="list-style-type: none">De lichten knipperen na het invoeren van de pincode en het bevestigen door een druk op #.	<ul style="list-style-type: none">De ingevoerde code komt niet overeen met een van de geregistreerde codes. Zie 5.2.

NL

11. VEELGESTELDE VRAGEN

VRAAG	ANTWOORD
<ul style="list-style-type: none">Is het klavier verwarmd?	<ul style="list-style-type: none">Ja, SlimStone heeft een gereguleerd verwarmingssysteem dat de toesten vorstvrij houdt.
<ul style="list-style-type: none">Hoe weersbestendig is SlimStone?	<ul style="list-style-type: none">SlimStone werd ontworpen om te voldoen aan de norm IP68.
<ul style="list-style-type: none">Kan ik SlimStone gebruiken bij sectionaalpoorten?	<ul style="list-style-type: none">Ja, door de contacttijd van het relais op 0 in te stellen, wordt een puls gegeven waarmee de sectionaalpoort bediend kan worden.



Een afgedankt product kan ofwel teruggebracht worden naar uw verdeler, of teruggestuurd worden naar Locinox. De recyclagebijdrage van dit product is 0,2 €.



De WEEE-markering op het product duidt aan dat het niet met het gewone huishoudelijk afval weggegooid mag worden, en dat het product naar een specifiek inzamelpunt voor recyclage van elektrische en elektronische afgedankte producten gebracht moet worden.



Als producent van dit product kunnen we u garanderen dat we alle nodige stappen ondernomen hebben om te voldoen aan de geldige veiligheidsvereisten van dit product.

Félicitations avec l'achat de votre SlimStone

1. DESCRIPTION DU PRODUIT

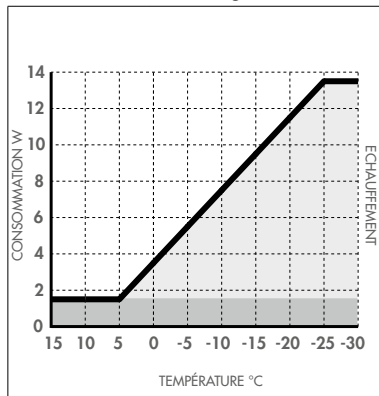
Le SlimStone est un clavier à codes robuste et résistant aux intempéries, équipé de lumières LED. Le clavier à codes est unique en raison de sa durabilité. Le SlimStone a été développé et testé pour être utilisé dans des conditions météorologiques les plus extrêmes et garantit donc un contrôle d'accès permanent en toutes circonstances. Grâce au relais intégré, avec 1 contact normalement ouvert et 1 contact normalement fermé, tant la connexion aux produits Locinox et à d'autres produits d'automatisation que la programmation du SlimStone est très simple. Il est doté des fixations innovantes Quick-Fix, mais d'autres systèmes de fixation pour le bois et béton sont également disponibles.

Le SlimStone est conçu avec un boîtier en aluminium thermolaqué structuré et avec un clavier comprenant des touches en inox brossé.

Vous pouvez programmer jusqu'à 100 codes.

2. SPÉCIFICATIONS TECHNIQUES

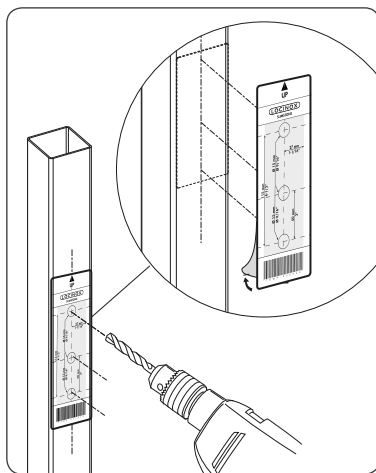
Température de fonctionnement	-22°F jusqu'à 185°F -30°C jusqu'à 85°C
Alimentation électrique	12-24 V AC/DC
Commutation	0-26 V AC/DC, 2A (60W)
Longueur du câble	2m
Valeur IP	IP68
Signal d'entrée	basse tension (5V) à 2 fils contact prioritaire
Température d'utilisation	1,5W (> 5°C) + 12W à chauffage max. (< 25°C)



3. MONTAGE

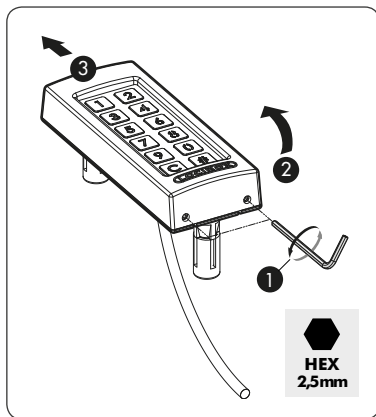
ÉTAPE 1

Collez le gabarit et percez le mur ou le poteau (voir page 5).



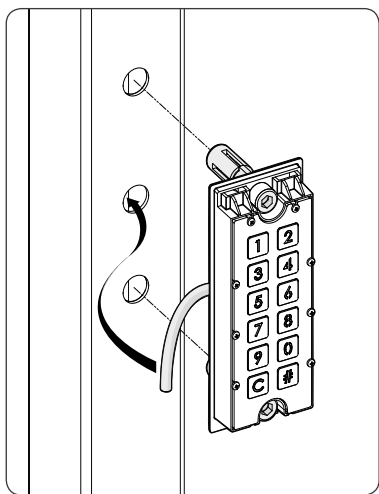
ÉTAPE 2

Enlevez le boîtier du SlimStone



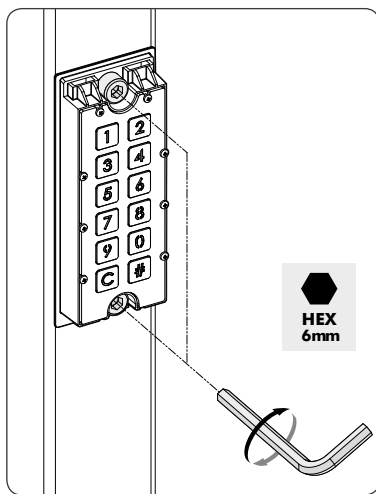
ÉTAPE 3A

Passez le câble dans le poteau par le trou central.



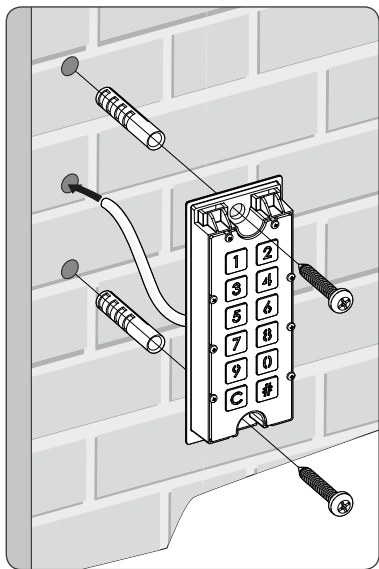
ÉTAPE 4

Montez le SlimStone et serrez les deux fixations Quick-Fix



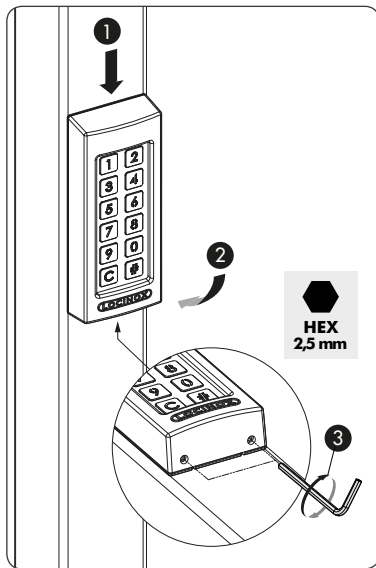
ÉTAPE 3B

Passez le câble dans le mur par le trou central.



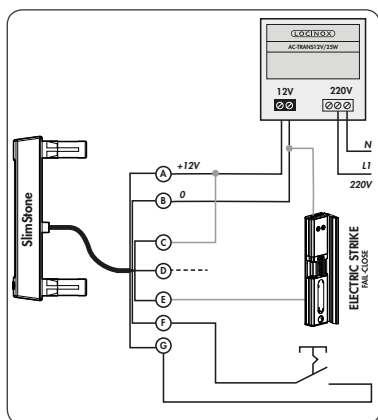
ÉTAPE 5

Installez le boîtier du SlimStone et serrez les 2 vis en bas



4. CÂBLAGE

Le SlimStone est équipé d'un câble de 2m de long comprenant 7 conducteurs.



Voir page 55 pour le schéma détaillé des connexions.

Courant

A ▶ AC1 ▶ bleu

B ▶ AC2 ▶ brun

Relais

C ▶ Relais COM ▶ noir

D ▶ Relais NC ▶ rouge

E ▶ Relais NO ▶ orange

Bouton override

F ▶ Bouton NO ▶ blanc

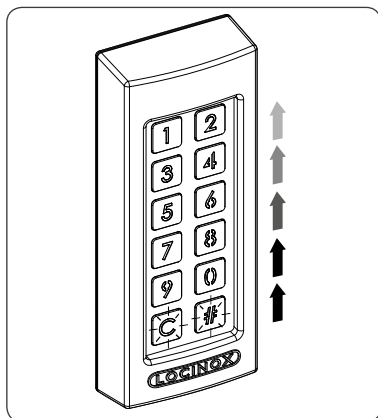
G ▶ Bouton COM ▶ vert

⚠ Afin d'assurer le fonctionnement correct du clavier, les extrémités des câbles inutilisés doivent être protégées séparément.

5. FONCTIONNEMENT DU SLIMSTONE

5.1 CODE CORRECT

- Entrez un code personnel (4 chiffres min. et 8 chiffres max.)
- Enfoncez la touche **#** pour confirmer le code.
- Un chenillard est affiché de bas en haut, pendant le temps d'activation du relais (8 sec. par défaut)



- Quand le chenillard est terminé, le relais n'est plus alimenté et le clavier à codes est prêt pour une nouvelle entrée.

5.2 CODE FAUTIF

- Entrez un code fautif.
- Enfoncez la touche **#** pour confirmer le code.
- Toutes les lumières clignotent pendant 2 sec. pour signaler l'entrée d'un code fautif.
- Après 5 tentatives fautives ou plus, vous ne pourrez plus utiliser le SlimStone pour des raisons de sécurité. Le temps d'attente est calculé comme suit : $2^{(\text{nombre de tentatives fautives})}$ secondes.

Par ex. : 6 tentatives fautives => temps d'attente de 64 secondes (2⁶ secondes).

✎ Le temps d'attente est remis à 0 lorsqu'un code correct est entré, ou après 2 heures sans entrée de code.

5.3 CONTACT PRIORITAIRE

- Un bouton externe ou un émetteur de signal peut être connecté et être prioritaire par rapport au SlimStone. Par ex. un interphone, une sortie libre, etc.
- Connectez les câbles F et G selon le schéma des connexions affiché à la pag. 55.
- Le contact NO d'un bouton poussoir externe doit être relié entre le bouton NO (F) et le bouton COM (G).

⚠ **Attention: il doit s'agir d'un contact sec avec fonctionnement NO.**

- Le chenillard va de bas en haut pendant le temps d'activation du relais.

6. PROGRAMMATION

6.1 ACCÈS AU MODE DE PROGRAMMATION

- Enfoncez la touche **#** pendant 5 sec. La lumière commence à clignoter.
- Entrez le Master PIN (voir 6.3) et enfoncez la touche **#**. Si le code est correct, la touche **#** reste allumée. Si le code est incorrect, toutes les touches clignotent.

⚠ Si seule la touche **#** est allumée, vous êtes dans le menu principal du mode de programmation.

- Sélectionnez un numéro de menu (voir 6.2) et confirmez en appuyant sur la touche **#**.

✍ Le mode de programmation est quitté automatiquement après 60 secondes d'inactivité.

- Enfoncez la touche **C** pour passer au menu au-dessus.
- Si un Master PIN fautif a été entré, le mode de programmation est terminé et la procédure d'attente telle que décrite au point 5.2 démarre.
- Enfoncez la touche **C** pendant 5 secondes pour quitter le mode de programmation.

6.2 RÉSUMÉ

- 9** ▶ programmer le Master PIN
- 1** ▶ ajouter le code PIN
- 2** ▶ enlever le code PIN
- 3** ▶ programmer le temps de maintien
- 4** ▶ programmer le mode d'éclairage
- 0** ▶ réinitialisation d'usine

6.3 PROGRAMMER LE MASTER PIN

- Passez au mode de programmation (voir 6.1)

⚠ Pour des raisons de sécurité, nous vous recommandons vivement de modifier le Master PIN lors de la mise en service.

- Enfoncez la touche **9** et confirmez par la touche **#**.
- Les touches **9** et **#** sont allumées.

✍ Le code Master PIN par défaut est 12345. Ce code doit toujours comporter 5 chiffres.

- Entrez un nouveau code Master PIN composé de 5 chiffres et enfoncez la touche **#**. Répétez cette étape.
- Si les deux codes entrés correspondent, tous les LED s'allument brièvement et vous retournez au menu principal du mode de programmation.

⚠ Si deux codes différents sont entrés, ou si trop ou trop peu de chiffres sont entrés, les LED clignotent trois fois pour indiquer que le code n'a pas été sauvé. Réessayez. La touche **9** reste allumée.

- Pour des raisons de sécurité, le Master PIN ne peut être entré pour passer au mode de programmation. Ce code ne peut pas être utilisé comme code d'accès.

6.4 AJOUTER LE CODE PIN

- Passez au mode de programmation (voir 6.1)

⚠ Vous pouvez programmer 100 codes PIN différents maximum (4 chiffres min. et 8 chiffres max.)

- Enfoncez le numéro **1** et confirmez par la touche **#**.
- Les touches **1** et **#** sont allumées.
- Entrez un nouveau code Pin et confirmez par la touche **#**. Répétez cette étape.
- Si les deux codes entrés correspondent, le nouveau code PIN est sauvegardé. Les LED s'allument brièvement.
- Vous retournez au menu principal du mode de programmation.

⚠ Si deux codes différents sont entrés, ou si trop ou trop peu de chiffres sont entrés, toutes les touches clignotent trois fois pour indiquer que le code n'a pas été sauvé. Réessayez. La touche **1** reste allumée.

6.5 ENLEVER LE CODE PIN

- Passez au mode de programmation (voir 6.1)
- Enfoncez le numéro **2** et confirmez par la touche **#**.
- Les touches **2** et **#** sont allumées.
- Sélectionnez le code PIN que vous souhaitez enlever et enfoncez la touche **C**. Répétez cette étape.
- Les LED s'allument brièvement pour indiquer que le code a été enlevé.

- Vous retournez au menu principal du mode de programmation.

⚠ Si deux codes différents sont entrés, ou si trop ou trop peu de chiffres sont entrés, toutes les touches clignotent trois fois pour indiquer que le code n'a pas été sauvé. Réessayez. La touche **2** reste allumée.

6.6 PROGRAMMER LE TEMPS DE MAINTIEN

- Passez au mode de programmation (voir 6.1).
- Enfoncez le numéro **3** et confirmez par la touche **#**.
- Les touches **3** et **#** sont allumées.
- Entrez le temps (entre 1 et 99 secondes) et confirmez par la touche **#**.
- Un temps correct est confirmé par un brève éclairage de tous les LED.
- Vous retournez au menu principal.

⚠ Mode d'impulsion: si le SlimStone est utilisé pour commander des systèmes automatisés, une impulsion est requise. Ce mode peut être activé en programmant un temps de 0 secondes. La durée d'impulsion est de 150 ms.

⚠ Si un temps incorrect est entré, toutes les touches clignotent trois fois. Le menu **3** reste activé.

 Le temps par défaut est programmé à 8 secondes.

6.7 PROGRAMMER LE MODE D'ÉCLAIRAGE

- Passez au mode de programmation (voir 6.1)
- Enfoncez le numéro **4** et confirmez par la touche **#**.
- Les touches **4** et **#** sont allumées.
- Choisissez le mode d'éclairage:
 - 1** toujours activé
 - 2** désactivé après 45 secondes. L'éclairage est désactivé après 45 secondes d'inactivité. Dès qu'une touche est enfoncée, l'éclairage s'allume à nouveau pour une durée minimum de 45 secondes.
- Enfoncez les numéros **1** ou **2** et

confirmez par la touche **#**. Si tous les LED clignotent, cela signifie que votre choix a été sauvé.

- Vous êtes retourné dans le menu principal du mode de programmation.

⚠ Si un numéro incorrect est entré, toutes les lumières clignotent trois fois. Réessayez. Le menu **4** reste activé.

6.8 RÉINITIALISATION D'USINE

- Passez au mode de programmation (voir 6.1)
- Enfoncez le numéro **0** et confirmez par la touche **#**.
- **0** clignote rapidement pour indiquer qu'une action irréversible peut être effectuée
- Entrez le Master PIN et confirmez en enfonçant la touche **#** pendant 2 secondes.
- Si tous les LED clignotent, la réinitialisation d'usine est terminée. Tous les paramètres sont réinitialisés à leurs valeurs par défaut, à l'exception du Master PIN.

6.9 RÉINITIALISATION D'USINE EN CAS DE PERTE DU MASTER PIN

Effectuez une réinitialisation d'usine sans Master PIN:

- Coupez et rallumez l'alimentation, entrez le Master PIN 12345 et confirmez dans les 20 secondes en enfonçant la touche **#**. La réinitialisation d'usine est terminée.
- Lors d'une réinitialisation d'usine telle que décrite ci-dessus, le Master PIN est réinitialisé à 12345.

7. ENTRETIEN

- Nettoyez le boîtier et l'écran à l'aide d'un chiffon doux, humidifié avec un nettoyant neutre.
- N'utilisez jamais de carburant ou un autre produit chimique qui pourrait endommager le boîtier.

8. INFORMATIONS GÉNÉRALES

- Veuillez faire attention aux prescriptions locale relatives au dépôt de matériaux d'emballage et d'appareils inutilisés.
- Nos emballages sont écologiques. Ils sont facilement séparables en 2 matériaux : du carton (boîte) et du polyester extensible

(tampon).

- Le produit que vous avez acheté est fabriqué à partir de matériaux recyclables.

9. GARANTIE

Une garantie de 2 ans est offerte sur toute l'électronique.

10. AIDE AU DÉPANNAGE

PROBLÈME	SOLUTION
<ul style="list-style-type: none">Toutes les lumières clignotent.	<ul style="list-style-type: none">Après l'entrée répétée d'un code erroné, le SlimStone est bloqué. Voir 5.2.
<ul style="list-style-type: none">L'éclairage du SlimStone est désactivé après avoir enfoncé un bouton.	<ul style="list-style-type: none">Contrôlez la connexion de l'alimentation électrique.
<ul style="list-style-type: none">Le SlimStone ne réagit pas après avoir entré le code.	<ul style="list-style-type: none">L'entrée d'un code doit toujours être confirmée par la touche #.
<ul style="list-style-type: none">Le chenillard est toujours allumé.	<ul style="list-style-type: none">Vérifiez si les câbles du bouton override sont protégés.Il se peut qu'un temps de 99 secondes ait été programmé.
<ul style="list-style-type: none">Les lumières clignotent après l'entrée du code PIN et la confirmation avec la touche #.	<ul style="list-style-type: none">Le code introduit ne correspond pas à l'un des codes enregistrés. Voir 5.2.

FR

11. QUESTIONS SOUVENT POSÉES

QUESTION	RÉPONSE
<ul style="list-style-type: none">Le clavier à codes, est-il chauffé ?	<ul style="list-style-type: none">Oui, le SlimStone est doté d'un chauffage régulé qui protège les touches du gel.
<ul style="list-style-type: none">Dans quelle mesure le SlimStone résiste-t-il aux intempéries ?	<ul style="list-style-type: none">Le SlimStone a été conçu pour répondre à la norme IP68.
<ul style="list-style-type: none">Puis-je utiliser le SlimStone en combinaison avec des portes sectionnelles ?	<ul style="list-style-type: none">Oui, en programmant le temps de maintien du relais à 0, une impulsion est donnée par laquelle une porte sectionnelle peut être commandée.



Un appareil mis au rebut peut être retourné au revendeur ou renvoyé à Locinox. La contribution de recyclage du produit s'élève à € 0,2.



"Le marquage WEE sur le produit indique qu'il ne peut pas être jeté avec d'autres déchets ménagers et qu'il doit être déposé dans un point de collecte destiné au recyclage de déchets électriques et électroniques."



"En tant que fabricant du produit, nous vous assurons que nous avons pris toutes les mesures nécessaires pour que le produit soit conforme aux normes de sécurité en vigueur pour ce produit."

Herzlichen Glückwunsch zum Kauf Ihrer SlimStone

1. PRODUKTBESCHREIBUNG

Die Codetastatur ist hinsichtlich Ihrer Haltbarkeit einzigartig. SlimStone wurde für die extremsten Wetterverhältnisse entwickelt und ausführlich getestet und garantiert unter allen Bedingungen eine stabile Zugängskontrolle.

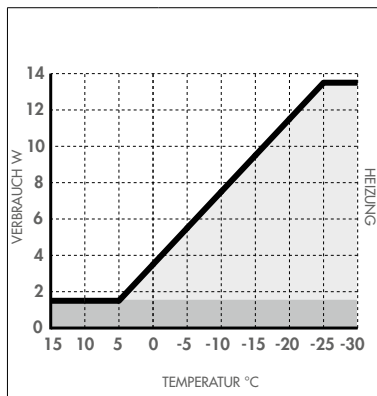
DE Dank des eingebauten Relais mit einem normal-offenen und einem normal-geschlossenen Kontakt, sind sowohl die Koppelung mit Locinox und anderen Automatisierungsprodukten als auch die Programmierung der SlimStone sehr einfach auszuführen. Ausgestattet mit unserem innovativen Quick-Fix-System stehen zusätzlich auch alternative Befestigungssysteme für Holz und Stein zur Verfügung.

Die SlimStone besteht aus einem pulverbeschichteten Aluminium-Gehäuse mit einer Codetastatur und Druckknöpfen aus gebürstetem rostfreien Stahl.

Es können bis zu 100 Codes programmiert werden.

2. TECHNISCHE SPEZIFIKATIONEN

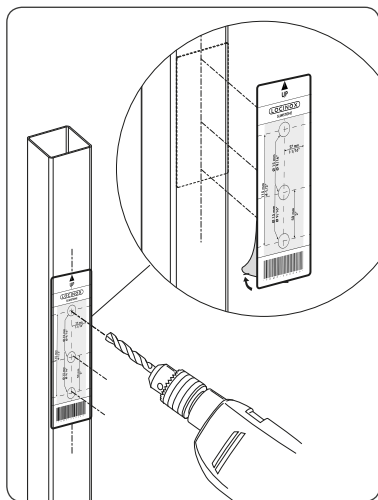
Betriebs-temperatur	-30°C bis 85°C
Stromversorgung	12-24 V AC/DC
Schaltkontakt	0-26 V AC/DC, 2A (60W)
Kabellänge	2m
IP-Wert	IP68
Eingangssignal	Zweidraht-Schwachstrom (5V) Vorrangkontakt
Verbrauchs-temperatur	1,5W (> 5°C) + 12W bei maximaler Beheizung (< -25°C)



3. MONTAGE

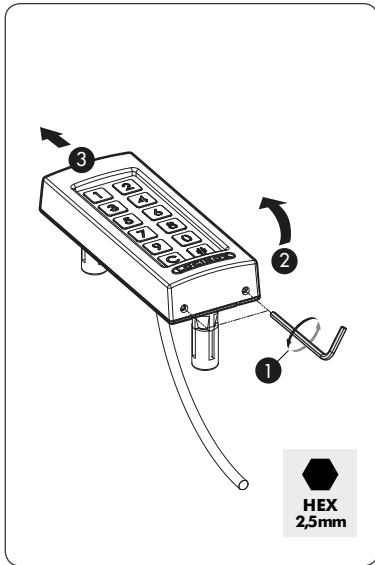
SCHRITT 1

Kleben Sie die Schablone fest und bohren Sie in die Wand oder den Pfosten (siehe S.5).



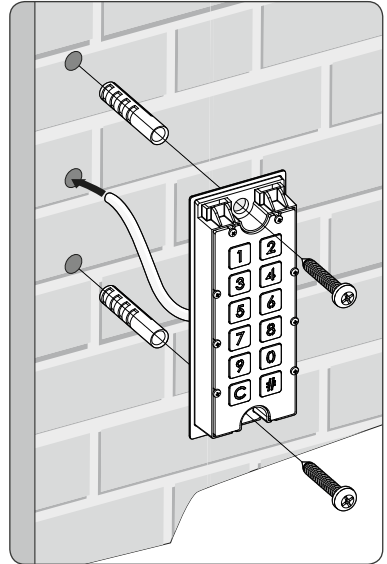
SCHRITT 2

Entfernen Sie das SlimStone-Cover



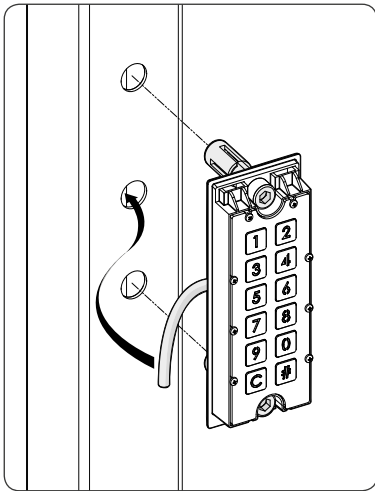
SCHRITT 3B

Führen Sie das Kabel durch das mittlere Loch in der Wand.



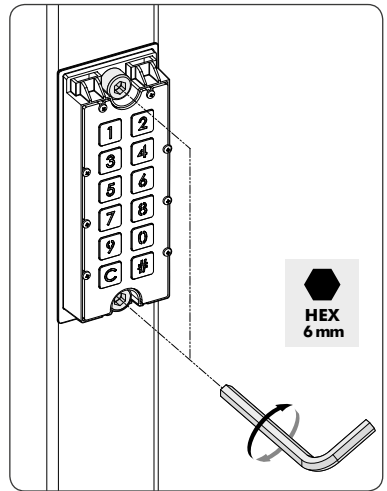
SCHRITT 3A

Führen Sie das Kabel durch das mittlere Loch im Pfosten.



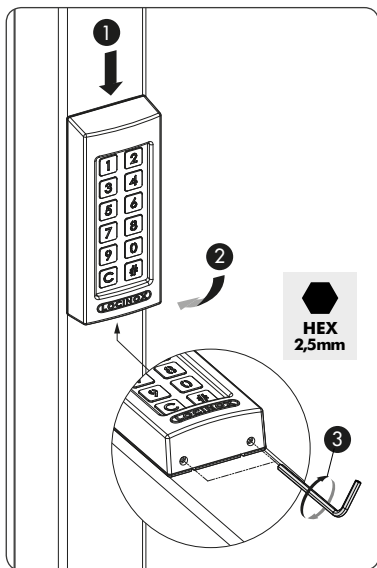
SCHRITT 4

Positionieren Sie die SlimStone und ziehen Sie die beiden Quick-Fix fest an.



SCHRITT 5

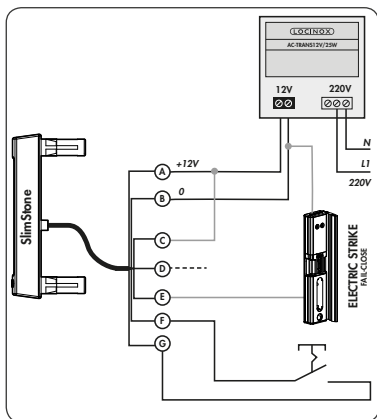
Positionieren Sie das SlimStone-Cover und drehen Sie die 2 Schrauben unten fest.



DE

4. VERKABELUNG

Die SlimStone ist mit einem 7-adrigen Ausgangskabel mit einer Länge von 2 Metern ausgestattet.



Siehe S. 55 für ein detailliertes Verbindungsschema.

Stromversorgung

A ▶ AC1 ▶ Blau

B ▶ AC2 ▶ Braun

Relais

C ▶ Relais COM ▶ Schwarz

D ▶ Relais NC ▶ Rot

E ▶ Relais NO ▶ Orange

Überbrückungsknopf

F ▶ NO-Button ▶ Weiß

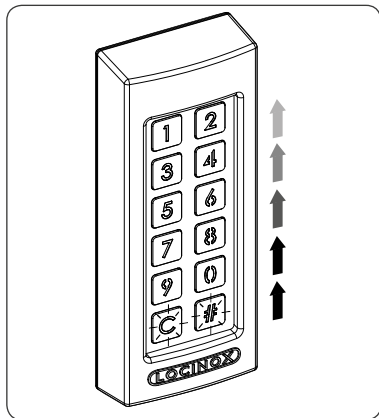
G ▶ COM-Button ▶ Grün

⚠ Um eine korrekte Funktionsweise der Tastatur garantieren zu können, müssen die nicht verwendeten Kabelenden getrennt abgedeckt werden.

5. FUNKTIONSWEISE DER SLIMSTONE

5.1 EINGABE EINES KORREKTEN CODES

- Geben Sie einen persönlichen Code ein (min. 4 - max. 8 Ziffern).
- Drücken Sie **#**, um den Code zu bestätigen.
- Während der Zeit, in der das Relais angesprochen wird, blinkt ein Lauflicht von unten nach oben auf.



- Wenn das Lauflicht stoppt, ist auch die Ansteuerung des Relais gestoppt. Die Codetastatur ist wieder für einen neuen Code bereit.

5.2 EINGABE EINES FALSCHEN CODES

- Geben Sie einen falschen Code ein.
- Drücken Sie **#** um den Code zu bestätigen.
- Alle Lichter leuchten für 2 Sekunden auf, um anzuzeigen, dass ein falscher Code eingegeben wurde.
- Wird 5-mal oder öfter der falsche Code eingegeben, können Sie die SlimStone aus Sicherheitsgründen für eine längere Zeit nicht nutzen. Die Wartezeit wird folgendermaßen berechnet:
 $2^{(\text{Anzahl falscher Versuche})}$ Sekunden.

Beispiel : 6 falsche Versuche bedeuten eine Wartezeit von 64 Sekunden (2^6 Sekunden).

Die Wartezeit wird zurückgestellt, sobald ein korrekter Code eingegeben wird oder wenn binnen zwei Stunden kein neuer Code eingegeben wurde.

5.3 VORRANGKONTAKT

- Ein externer Druckknopf oder Auslöser kann angeschlossen werden, um die SlimStone mit Vorrang zu steuern, z.B. ein Intercom, FreeExit, oder ähnlich.
- Verbinden Sie die Drähte F & G, entsprechend dem Verbindungsschema auf Seite 55.
- Der NO-Button eines externen Druckknopfes sollte zwischen dem "NO-Button" (F) und dem "COM-Button" (G) verbunden sein.

Achtung! Dies muss ein spannungsfreier Kontakt mit NO-Funktion sein.

- Das Lauflicht wird während der Ansprechzeit des Relais von unten nach oben angezeigt.

6. PROGRAMMIERUNG

6.1 ZUGANG ZUM PROGRAMMIERMODUS

- Drücken Sie **#** für 5 Sekunden. Danach leuchtet die Taste auf.
- Geben Sie den Master PIN ein (siehe 6.3) und drücken Sie **#**. Wenn der Code korrekt ist, leuchtet **#** solange der Programmiermodus aktiviert ist. Bei Eingabe eines falschen Codes leuchten alle Tasten.

Wenn nur **# aufleuchtet, sind Sie im Hauptmenü des Programmiermodus.**

- Wählen Sie eine Menünummer (siehe 6.2) und bestätigen Sie mit **#**.

Der Programmiermodus endet automatisch, wenn 60 Sekunden lang keine Aktivität erfolgt.

- Drücke Sie **C** um eine Menüebene höher zu kommen.
- Bei Eingabe eines falschen Master PINs wird der Programmiermodus geschlossen und die Wartezeit beginnt, wie in 5.2 beschrieben.
- Drücken Sie **C** für 5 Sekunden, um den Programmiermodus zu verlassen.

DE

6.2 ÜBERSICHT

- 9** ▶ Master PIN einstellen
- 1** ▶ PIN hinzufügen
- 2** ▶ PIN löschen
- 3** ▶ Haltezeit einstellen
- 4** ▶ Beleuchtungsmodus einstellen
- 0** ▶ Zurücksetzen auf Werksteinstellungen

6.3 MASTER PIN EINSTELLEN

- Gehen Sie in den Programmiermodus (siehe 6.1).

Aus Sicherheitsgründen empfehlen wir Ihnen dringend, den Master PIN bei der ersten Verwendung zu ändern.

- Drücken Sie **9** und bestätigen Sie mit **#**.
- Sowohl **9** als auch **#** leuchten auf.

Der Standard Master PIN ist 12345. Es muss immer ein 5-ziffriger Code sein.

- Geben Sie einen neuen 5-ziffrigen Master PIN ein und drücken Sie **#**. Wiederholen Sie diesen Schritt.
- Wenn beide PINs übereinstimmen, leuchten alle LEDs kurz auf und Sie kehren ins Hauptmenü des Programmiermodus zurück.

Werden zwei unterschiedliche Codes oder Codes mit falscher Länge eingegeben, blinken alle Tasten 3-mal auf, um anzuzeigen, dass der Code nicht gespeichert wurde. Versuchen Sie es noch einmal. **9 leuchtet weiterhin auf.**

- Aus Sicherheitsgründen kann der Master PIN nur für den Zugang zum Programmiermodus verwendet werden. Er kann nicht als Zugangscode verwendet werden.

6.4 PIN HINZUFÜGEN

- Gehen Sie in den Programmiermodus (siehe 6.1).

⚠ Es können maximal 100 verschiedene PINs eingestellt werden. (min. 4 - max. 8 Ziffern).

- Drücken Sie **1** und bestätigen Sie mit **#**.
- Sowohl **1** als auch **#** leuchten auf.
- Geben Sie einen neuen PIN ein und drücken Sie **#**. Wiederholen Sie diesen Schritt.
- Wenn beide PINs übereinstimmen, wird der neue PIN gespeichert. Alle LEDs leuchten kurz auf.
- Sie kehren ins Hauptmenü des Programmiermodus zurück.

⚠ Werden zwei unterschiedliche Codes oder Codes mit falscher Länge eingegeben, leuchten alle Tasten 3-mal auf, um anzuzeigen, dass der Code nicht gespeichert wurde. Versuchen Sie es noch einmal. **1** leuchtet weiterhin auf.

6.5 LÖSCHEN DES PIN CODES

- Gehen Sie in den Programmiermodus (siehe 6.1).
- Drücken Sie **2** und bestätigen Sie mit **#**.
- Sowohl **2** als auch **#** leuchten auf.
- Geben Sie den PIN ein, den Sie löschen möchten, und drücken Sie **C**. Wiederholen Sie diesen Schritt.
- Alle LEDs leuchten kurz auf, um anzuzeigen, dass der Code gelöscht wurde.
- Sie kommen zurück ins Hauptmenü des Programmiermodus.

⚠ Werden zwei unterschiedliche Codes oder Codes mit falscher Länge eingegeben, leuchten alle Tasten 3-mal auf, um anzuzeigen, dass der Code nicht gelöscht wurde. Versuchen Sie es noch einmal. **2** leuchtet weiterhin auf.

6.6 HALTEZEIT EINSTELLEN

- Gehen Sie in den Programmiermodus (siehe 6.1).
- Drücken Sie **3** und bestätigen Sie mit **#**.
- Sowohl **3** als auch **#** leuchten auf.
- Geben Sie die Zeit ein (zwischen 1 und 99

Sekunden) und bestätigen Sie mit **#**.

- Eine gültige Zeit wird durch ein kurzes Aufleuchten aller LEDs bestätigt.
- Sie kommen zurück ins Hauptmenü.

⚠ Puls-Modus: Falls die SlimStone in Automatisierungsprojekten verwendet wird, ist für die Inbetriebnahme der Steuerung ein Puls erforderlich. Diesen Modus können Sie aktivieren, indem Sie eine Zeit von 0 Sekunden einstellen. Die Pulsdauer beträgt 150 ms.

⚠ Falls eine ungültige Zeit eingegeben wird, leuchten alle Tasten dreimal auf. Menü **3** bleibt aktiviert.

✎ Die standardmäßig eingestellte Zeit beträgt 8 Sekunden.

6.7 EINSTELLEN DES BELEUCHTUNGSMODUS

- Gehen Sie in den Programmiermodus (siehe 6.1).
- Drücken Sie **4** und bestätigen Sie mit **#**.
- Sowohl **4** als auch **#** leuchten auf.
- Wählen Sie den gewünschten Beleuchtungsmodus:
 - 1** Immer an
 - 2** Aus nach 45 Sekunden
Die Beleuchtung geht nach 45 Sekunden aus. Sobald eine Taste gedrückt wird, geht die Beleuchtung wieder für eine Minimalzeit von 45 Sekunden an.
- Drücken Sie **1** oder **2** und bestätigen Sie mit **#**. Wenn alle LEDs leuchten, ist Ihre Auswahl gespeichert.
- Sie kommen ins Hauptmenü des Programmiermodus zurück.

⚠ Wenn eine ungültige Nummer eingegeben wird, leuchten alle Lichter dreimal auf. Wiederholen Sie alle Schritte noch einmal. Menü **4** bleibt aktiviert.

6.8 ZURÜCKSETZEN AUF WERKSEINSTELLUNGEN

- Gehen Sie in den Programmiermodus (siehe 6.1).
- Drücken Sie **0** und bestätigen Sie mit **#**.
- **0** blinkt hochfrequent, um anzuzeigen, dass

eine unumkehrbare Aktion vorgenommen wird.

- Geben Sie den Master PIN ein und bestätigen Sie durch Drücken von **#** für 2 Sekunden.
- Wenn alle LEDs leuchten, ist die Zurücksetzung auf Werksteinstellungen abgeschlossen. Alle Einstellungen außer dem Master PIN sind wieder auf die Voreinstellungen zurückgesetzt.

6.9 ZURÜCKSETZEN AUF WERKSEINSTELLUNGEN BEI VERLUST DES MASTER PINS

Zurücksetzen auf Werksteinstellungen ohne Master PIN:

- Schalten Sie die Stromversorgung aus und ein, geben Sie den Standard Master PIN "12345" ein und bestätigen Sie innerhalb von 20 Sekunden mit **#**. Die Zurücksetzung auf Werksteinstellungen ist abgeschlossen.
- Wird das Zurücksetzen auf Werksteinstellungen wie oben beschrieben ausgeführt, dann wird damit auch der Master PIN auf den Standard-Wert „12345“ zurückgesetzt.

10. FEHLERBEHEBUNG

PROBLEM	LÖSUNG
<ul style="list-style-type: none">• Die gesamte Beleuchtung leuchtet auf.	<ul style="list-style-type: none">• Bei mehrmaliger Eingabe eines falschen Codes wird der Betrieb der SlimStone blockiert. Siehe 5.2.
<ul style="list-style-type: none">• Die Beleuchtung funktioniert nicht, nachdem Sie eine Taste gedrückt haben.	<ul style="list-style-type: none">• Kontrollieren Sie den Anschluss an die Stromversorgung.
<ul style="list-style-type: none">• Die SlimStone reagiert nach der Eingabe des Codes nicht mehr.	<ul style="list-style-type: none">• Die Eingabe eines Codes muss jedes Mal mit # bestätigt werden.
<ul style="list-style-type: none">• Das Lauflicht stoppt nicht.	<ul style="list-style-type: none">• Kontrollieren Sie, ob die Kabel für den Druckknopf abgedeckt sind.• Möglicherweise haben Sie eine Zeit von 99 Sekunden eingestellt.
<ul style="list-style-type: none">• Die Beleuchtung blinkt nach der Eingabe des PINs und Bestätigung mit #.	<ul style="list-style-type: none">• Der eingegebene Code stimmt nicht mit dem eingestellten Code überein. Siehe 5.2.

7. WARTUNG

- Verwenden Sie zur Reinigung des Gehäuses und des Displays ein weiches Tuch, befeuchtet mit einem neutralen Reinigungsmittel.
- Verwenden Sie niemals Benzin oder andere chemische Mittel im Kontakt mit dem Gerät, da diese dem Gehäuse schaden könnten.

8. ALLGEMEINE INFORMATIONEN

- Achten Sie bitte auf die lokalen Vorschriften bezüglich der Entsorgung von Verpackungsmaterial und nicht mehr gebrauchten Geräten.
- Unser Verpackungsmaterial ist umweltfreundlich. Es kann in 2 Materialien getrennt werden: Karton (Schachtel) und dehnbarer Polyester (Puffer).
- Ihr Gerät besteht aus recycelbaren Materialien.

9. GARANTIE

Eine Garantie von 2 Jahren gilt für alle elektronischen Bauteile.

DE

11. HÄUFIG GESTELLTE FRAGEN

FRAGE	ANTWORT
<ul style="list-style-type: none">• Ist die Codetastatur beheizt?	<ul style="list-style-type: none">• Ja, die SlimStone ist mit einer intelligenten Heizung ausgestattet.
<ul style="list-style-type: none">• Wie wetterbeständig ist die SlimStone?	<ul style="list-style-type: none">• Die SlimStone entspricht dem IP68-Standard.
<ul style="list-style-type: none">• Kann man die SlimStone in Kombination mit einem Sektionaltor verwenden?	<ul style="list-style-type: none">• Ja, wenn die Relais-Haltezeit auf 0 gestellt ist, wird ein Puls gegeben, womit ein Sektionstor angesteuert werden kann.

DE



Ein ausgedientes Gerät kann an Ihren Händler zurückgegeben oder an Locinox zurückgeschickt werden. Der Recycling-Beitrag dieses Produkts beträgt € 0,20.



Die WEE-Kennzeichnung auf dem Produkt zeigt an, dass es nicht mit dem gewöhnlichen Haushaltsabfall weggeworfen werden darf, sondern zu einer Sammelstelle, welche für die Wiederverwertung von elektrischen und elektronischen Abfallprodukten bestimmt ist, gebracht werden muss.



Als Produzent dieses Produktes können wir Ihnen garantieren, dass alle nötigen Schritte unternommen wurden, damit dieses Produkt den gültigen Sicherheitsnormen entspricht.

Enhorabuena por la compra de su SlimStone

1. DESCRIPCIÓN DEL PRODUCTO

SlimStone es un teclado fuerte y resistente a cualquier tipo de condiciones meteorológicas con luz led integrada. Este teclado es único por su durabilidad. Desarrollado y testado para ser utilizado en condiciones meteorológicas extremas, SlimStone garantiza un control de acceso en cualquier circunstancia.

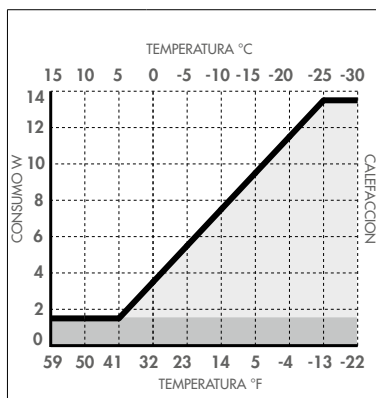
Gracias al relé integrado, con un contacto normalmente abierto y un contacto normalmente cerrado, tanto la conexión a productos Locinox como a otros productos automatizados y la programación de SlimStone son muy sencillos. Viene equipado con el innovador Quick-Fix y fijaciones alternativas para madera y piedra también son suministrados.

El SlimStone tiene una carcasa de aluminio con recubrimiento de polvo y un panel de teclas y botones de acero inoxidable pulido.

Se pueden programar hasta 100 códigos.

2. ESPECIFICACIONES TÉCNICAS

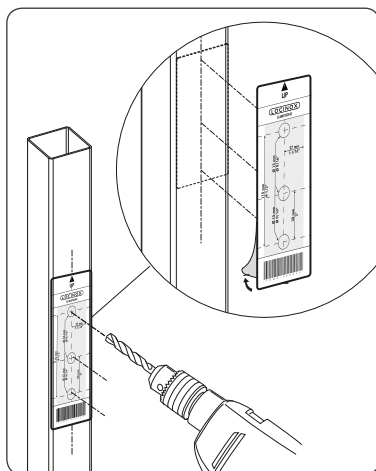
Temperatura de funcionamiento	-22°F hasta 185°F -30°C hasta 85°C
Fuente de alimentación	12-24 V AC/DC
Conmutación de potencia	0-26 V AC/DC, 2A (60W)
Longitud del cable	2m (6-1/2ft.)
Valor IP	IP68
Conector	circuito de 2 hilos de baja tensión (5V) contacto prioritario
Consumo	1,5 W (> 5°C) + 12 W a potencia máxima (< -25°C)



3. MONTAJE

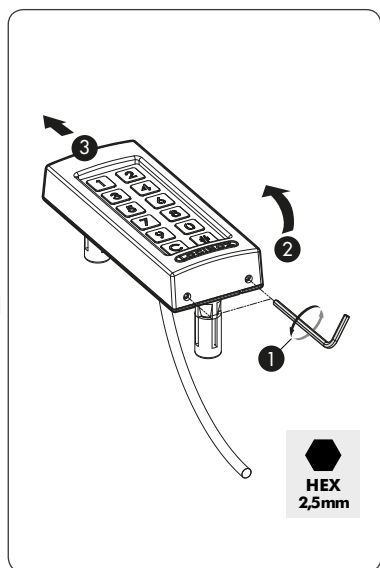
PASO 1

Pegue la plantilla y perforo la pared o el poste (vea página 5).



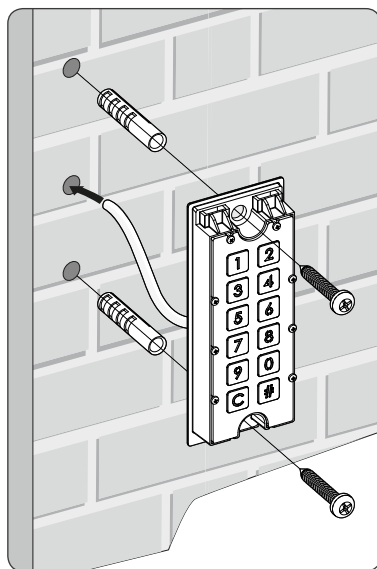
PASO 2

Retire la tapa del SlimStone.



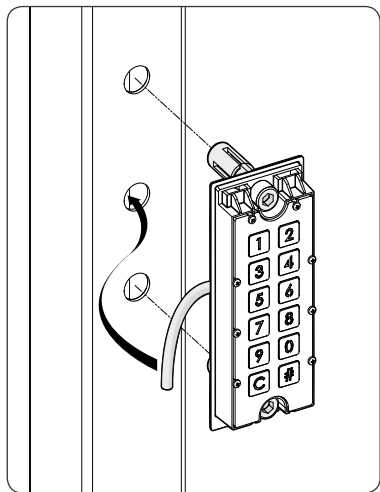
PASO 3B

Pase el cable por el agujero del medio de la pared.



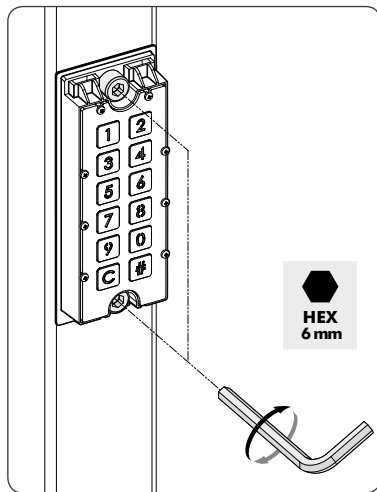
PASO 3A

Pase el cable por el agujero del medio del poste.



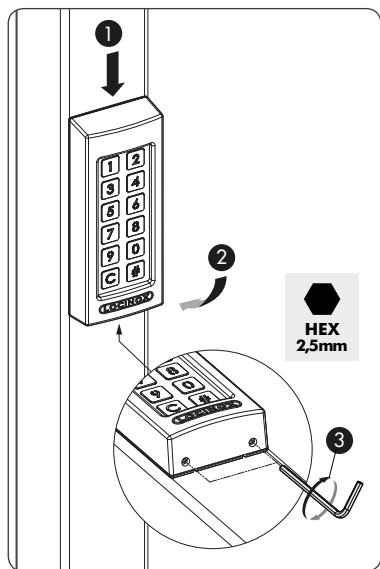
PASO 4

Posicione el SlimStone y apriete ambos Quick-Fix.



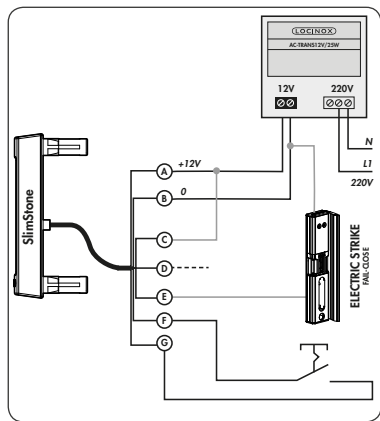
PASO 5

Ponga la tapa y fjíela con los 2 tornillos en la parte inferior.



4. CABLEADO

El SlimStone viene equipado con un cable de 7 hilos de 2 m de longitud.



Vea la página 55 para el esquema detallado.

Fuente de alimentación

A ▶ AC1 ▶ Azul

B ▶ AC2 ▶ Marrón

Relé

C ▶ Relé COM ▶ Negro

D ▶ Relé NC ▶ Rojo

E ▶ Relé NO ▶ Naranja

Botón de cancelación

F ▶ Botón NO ▶ Blanco

G ▶ Botón COM ▶ Verde

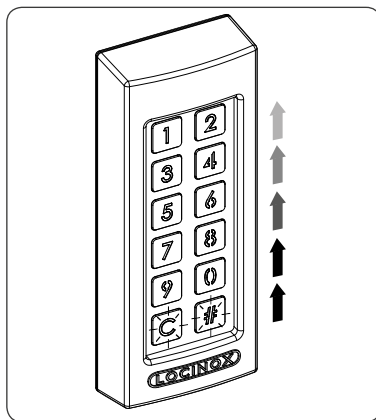
⚠ Las puntas de cables no utilizados deben ser aisladas de forma separada para garantizar el funcionamiento correcto del teclado.

ES

5. FUNCIONAMIENTO DEL SLIMSTONE

5.1 INTRODUCIR UN CÓDIGO CORRECTO

- Introduzca un código personal (min. 4 - máx. 8 dígitos)
- Pulse **#** para confirmar el código.
- Una secuencia de luces se activará de arriba abajo durante el tiempo en que el relé esté activado (tiempo predeterminado= 8 segundos).




- Si la secuencia de luces se para, el relé ya no está activado. Ahora el SlimStone está preparado para introducir un nuevo código.

5.2 INTRODUCIR UN CÓDIGO ERRÓNEO

- Introduzca un código erróneo
- Pulse **#** para confirmar el código;
- Todas las luces parpadearán durante 2 segundos para indicar que se ha introducido un código erróneo.
- Si se han introducido 5 o más códigos erróneos de manera consecutiva, ya no será posible usar el SlimStone durante un determinado periodo por razones de seguridad. El periodo de inactividad es calculado de la siguiente manera:
2^º(número de intentos erróneos) segundos.


ES

Por ejemplo: 6 intentos erróneos resultarán en un periodo de inactividad de 64 segundos (2^º segundos).

 *El periodo de inactividad se cancela al introducir el código correcto, o después de 2 horas si no se introduce un código nuevo.*

5.3 CONTACTO PRIORITARIO

- Se puede conectar un botón externo o un actuador que prevalece sobre el SlimStone. Por ejemplo un intercomunicador, salida libre,...
- Conecte los cables F & G según el esquema de conexión de la pág. 55.
- El contacto NO de un botón externo debe ser conectado entre el "botón NO" (F) y el "botón COM" (G).


 **¡Atención!** Debe ser un contacto sin tensión y con funcionamiento NO.

- La secuencia de luces se activará de arriba abajo mientras el relé esté activado.

6. PROGRAMACIÓN


6.1 ACCESO AL MODO DE PROGRAMACIÓN

- Pulse **#** durante 5 segundos. Empezará a parpadear.
- Entre el PIN maestro (vea 6.3) y pulse **#**. Si es correcto, la **#** permanecerá iluminada hasta que el modo de programación esté activado. Si el código introducido es erróneo, todas las teclas parpadearán.

 **Si solo la # se ilumina, está en el menú principal del modo de programación.**

- Seleccione un número del menú (vea 6.2) y

confirme con **#**.

 *El modo de programación se desactivará automáticamente si no hay actividad durante 60 segundos.*


- Pulse **C** para ascender en el menú.
- Si se ha introducido un PIN maestro erróneo, el modo de programación se desactivará y se activará el periodo de inactividad como descrito en 5.2.
- Pulse **C** durante 5 segundos para salir del modo de programación.

6.2 RESUMEN


- 9** ▶ introducir un PIN maestro
- 1** ▶ añadir un código PIN
- 2** ▶ eliminar el código PIN
- 3** ▶ introducir un tiempo de espera
- 4** ▶ introducir un modo de iluminación
- 0** ▶ restablecer de configuraciones de fábrica

6.3 INTRODUCIR UN PIN MAESTRO


- Acceda al modo de programación (vea 6.1).

 **Por razones de seguridad, le recomendamos que cambie el PIN maestro al usarlo por primera vez.**

- Pulse **9** y confirme con **#**.
- **9** y **#** se iluminarán.

 **El PIN maestro predeterminado es 12345. Siempre debe ser un código de 5 dígitos.**

- Introduzca un nuevo PIN maestro de 5 dígitos y pulse **#**. Repita este paso.
- Si los dos códigos son iguales, todas las ledes se iluminarán brevemente y volverá al menú principal del modo de programación.

 **Si dos códigos diferentes o un código erróneo fueron introducidos, todos los ledes parpadearán tres veces para indicar que el código no ha sido grabado. Inténtelo otra vez. 9 permanecerá iluminado.**

- Por razones de seguridad, el PIN maestro solo puede ser introducido para acceder al modo de programación. No puede ser utilizado como código de acceso.

6.4 AÑADIR UN CÓDIGO PIN

- Acceda al modo de programación (vea 6.1).

⚠ Se pueden programar máximo 100 códigos PIN diferentes (min. 4 y máx. 8 dígitos).

- Pulse **1** y confirme con **#**.
- **1** y **#** se iluminarán.
- Introduzca un nuevo código PIN y confirme con **#**. Repita este paso.
- Si los dos códigos son iguales, el nuevo código PIN se ha grabado. Todos los ledes se iluminarán brevemente.
- Ahora regresará al menú principal del modo de programación.

⚠ Si dos códigos diferentes o un código erróneo fueron introducidos, todas las teclas parpadearán tres veces para indicar que el código no ha sido grabado. Inténtelo otra vez. **1** permanecerá iluminado.

6.5 ELIMINAR EL CÓDIGO PIN

- Acceda al modo de programación (vea 6.1).
- Pulse **2** y confirme con **#**.
- **2** y **#** se iluminarán.
- Introduzca el código PIN que desea eliminar y pulse **C**. Repita este paso.
- Todos los ledes se iluminarán brevemente para indicar que se ha borrado el código.
- Ahora regresará al menú principal del modo de programación.

⚠ Si dos códigos diferentes o un código erróneo fueron introducidos, todas las teclas parpadearán tres veces para indicar que el código no ha sido borrado. Inténtelo otra vez. **2** permanecerá iluminado.

6.6 INTRODUCIR UN TIEMPO DE ESPERA

- Acceda al modo de programación (vea 6.1).
- Pulse **3** y confirme con **#**.
- **3** y **#** estarán iluminados.
- Introduzca el tiempo (entre 1 y 99 segundos)

y confirme con **#**.

- Un tiempo de espera válido se ha grabado si todas las ledes se iluminan brevemente.
- Ahora regresará al menú principal.

⚠ Modo impulso: si el SlimStone se utiliza para controlar sistemas automatizados, se requiere un impulso. Se puede activar este modo al introducir un tiempo de 0 segundos. La duración del impulso es 150 ms.

⚠ Si el tiempo introducido es inválido, todas las teclas parpadearán tres veces. El menú **3** permanecerá activado.

 El tiempo predeterminado está en 8 segundos.

6.7 INTRODUCIR UN MODO DE ILUMINACIÓN

- Acceda al modo de programación (vea 6.1).
- Pulse **4** y confirme con **#**.
- **4** y **#** se iluminarán.
- Elija el modo de iluminación que desea:
 - 1** Siempre encendido
 - 2** Apagado después de 45 segundos. La iluminación se apagará después de 45 segundos sin actividad. En cuanto se pulse una tecla, la iluminación se volverá a encender como mínimo 45 segundos.
- Pulse **1** o **2** y confirme con **#**. Si todas las ledes parpadean, su elección ha sido guardada.
- Ahora está otra vez en el menú principal del modo de programación.

⚠ Si se ha introducido un número inválido, todas las luces parpadearán tres veces. Comience otra vez. El menú **4** permanecerá activado.

6.8 RESTABLECER LAS CONFIGURACIONES DE FÁBRICA

- Acceda al modo de programación (vea 6.1).
- Pulse **0** y confirme con **#**.

- 0 parpadeará rápidamente para indicar que se puede realizar una acción irreversible.
- Introduzca el PIN maestro y confirme pulsando # durante 2 segundos.
- Cuando todas las ledes parpadeen, se han restablecido las condiciones de fábrica. Todos los parámetros vuelven a ser los predeterminados menos el PIN maestro.

6.9 RESTABLECER LAS CONFIGURACIONES DE FÁBRICA AL PERDER EL PIN MAESTRO

ES

Restablecer las configuraciones de fábrica sin el PIN maestro:

- Conecte y desconecte la fuente de alimentación, introduzca el PIN maestro estándar "12345" y confirme con # en menos de 20 segundos. Ahora se han restablecido las condiciones de fábrica.
- En caso de restablecer las condiciones de fábrica como descrito anteriormente, el PIN maestro vuelve a ser "12345".

10. LOCALIZACIÓN DE AVERÍAS

PROBLEMA	SOLUCIÓN
<ul style="list-style-type: none"> • Todas las luces parpadean. 	<ul style="list-style-type: none"> • Si ha introducido varias veces códigos erróneos, el SlimStone se ha bloqueado. Vea 5.2.
<ul style="list-style-type: none"> • Se han apagado las luces del SlimStone al pulsar un botón. 	<ul style="list-style-type: none"> • Compruebe la conexión de la fuente de alimentación.
<ul style="list-style-type: none"> • El SlimStone no reacciona al introducir el código. 	<ul style="list-style-type: none"> • Después de introducir el código, siempre debe confirmarlo pulsando #.
<ul style="list-style-type: none"> • La luz de secuencia permanece encendida. 	<ul style="list-style-type: none"> • Compruebe que los cables del botón de cancelación estén aislados. • Es posible que haya introducido un tiempo de 99 segundos.
<ul style="list-style-type: none"> • Las luces parpadean después de introducir el código PIN y tras confirmar pulsando #. 	<ul style="list-style-type: none"> • El código introducido no coincide con los códigos registrados. Vea 5.2

11. PREGUNTAS FRECUENTES

PREGUNTA	RESPUESTA
<ul style="list-style-type: none"> • ¿El teclado tiene calefacción? 	<ul style="list-style-type: none"> • Sí, el SlimStone está equipado con un sistema de calefacción controlado para evitar la congelación de las teclas.
<ul style="list-style-type: none"> • ¿Es SlimStone resistente a diferentes condiciones meteorológicas? 	<ul style="list-style-type: none"> • SlimStone está diseñado para cumplir con la norma IP68.

7. MANTENIMIENTO

- Limpie la carcasa y la pantalla con un paño suave y húmedo con un detergente neutro.
- Nunca utilice gasolina ni otros productos químicos ya que podrían dañar la carcasa del aparato.

8. INFORMACIÓN GENERAL

- Respete las normas locales relativas a la eliminación de embalajes y dispositivos fuera de uso.
- Nuestros embalajes son ecológicos. Están hechos de 2 materiales: cartón (la caja) y poliestireno expandido (amortiguador).
- Su producto está hecho con materiales reciclables.

9. GARANTÍA

Todos los equipos electrónicos tienen una garantía de 2 años.

PREGUNTA	RESPUESTA
<ul style="list-style-type: none"> • ¿Puedo usar SlimStone con puertas seccionales? 	<ul style="list-style-type: none"> • Sí, ajustando el tiempo de retención del relé a 0, se da un impulso con el que se pueden controlar puertas seccionales.



Puede devolver un producto desechado a su distribuidor o enviarlo a Locinox. La tasa de reciclado de este producto es 0.2 €.



La marca WEE en el producto indica que no se puede tirar a la basura junto con desechos caseros sino que debe ser entregado en un punto de recogida designado para el reciclaje de desechos eléctricos y electrónicos.



Como fabricante de este producto, le garantizamos que hemos tomado todas las medidas necesarias en cumplimiento con las normas de seguridad vigentes.

ES

Gratulujemy zakupu klawiatury SlimStone

1. OPIS PRODUKTU

SlimStone to solidna, odporna na warunki pogodowe klawiatura z wbudowanym oświetleniem LED. Jej wytrzymałość i niezawodność sprawia, że jest jedyna w swoim rodzaju. Została bowiem specjalnie zaprojektowana i przetestowana pod kątem użytkowania w najbardziej ekstremalnych warunkach pogodowych, aby zawsze zapewniać bezproblemową kontrolę dostępu.

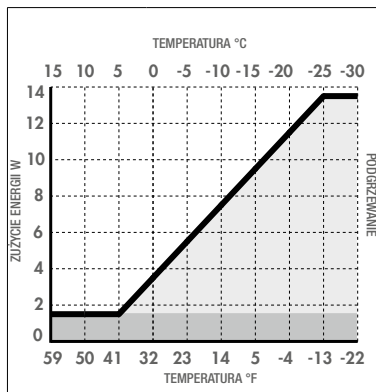
Dzięki wbudowanemu przekaźnikowi o 1 normalnie otwartym (NO) i 1 normalnie zamkniętym (NC) styku, zarówno podłączenie do urządzeń Locinox i innych produktów do automatyzacji, jak również programowanie klawiatury SlimStone jest niezwykle łatwe. Dla ułatwienia instalacji do urządzenia dołączono innowacyjny system montażowy Quick-Fix i alternatywne akcesoria do montażu na podłożu drewnianym i kamiennym.

Obudowa klawiatury SlimStone jest wykonana z malowanego proszkowo aluminium, a jej panel na klawisze i same klawisze – ze szczotkowanej stali nierdzewnej.

Klawiatura umożliwia zaprogramowanie nawet 100 kodów dostępu.

2. DANE TECHNICZNE

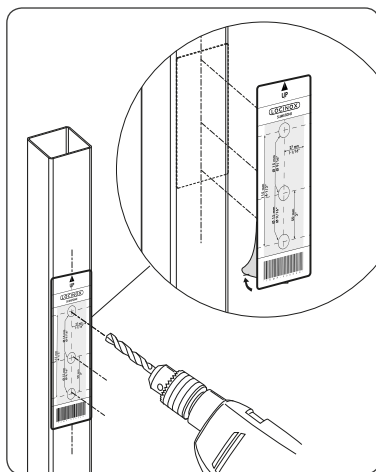
Temperatura działania	od -22°F do 185°F od -30°C do 85°C
Zasilanie	12-24 V AC/DC
Przełącznik	0-26 V AC/DC, 2A (60W)
Długość przewodu	2m (6-1/2ft.)
Stopień szczelności	IP68
Prąd wejściowy	2-przewodowy (5V) o niskim napięciu przekaźnik priorytetowy
Zużycie energii	1,5 W (> 5°C) + 12 W przy maks. podgrzewaniu (< -25°C)



3. INSTALACJA

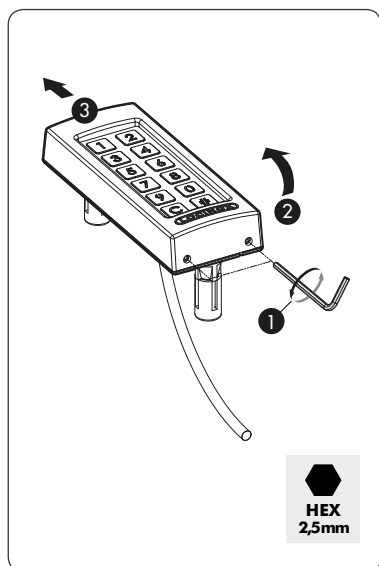
KROK 1.

Przyklej szablon do wiercenia i wywierć otwory w murze lub stępku (zob. str 5).

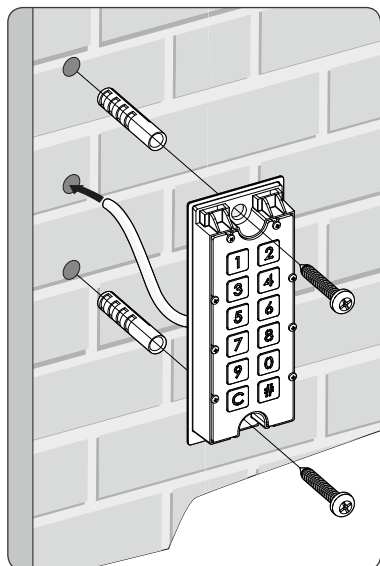


KROK 2.

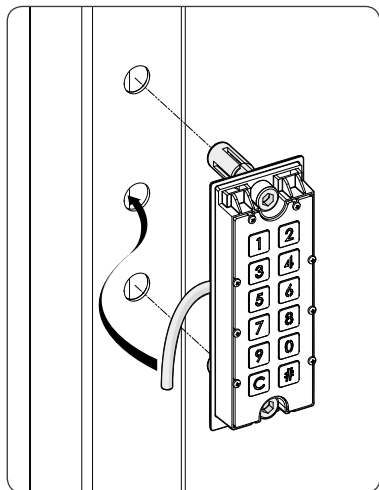
Usuń obudowę z urządzenia SlimStone.

**KROK 3B.**

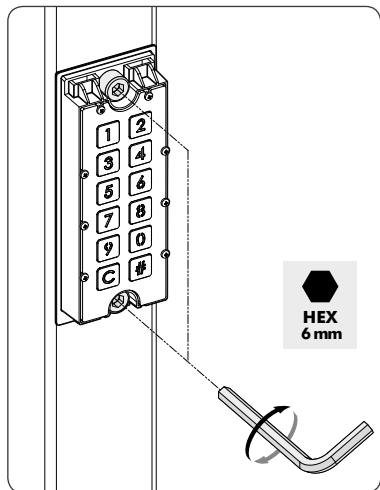
Przeprowadź przewód urządzenia przez środkowy otwór w murze.


PL
KROK 3A.

Przeprowadź przewód urządzenia przez środkowy otwór w słupku.

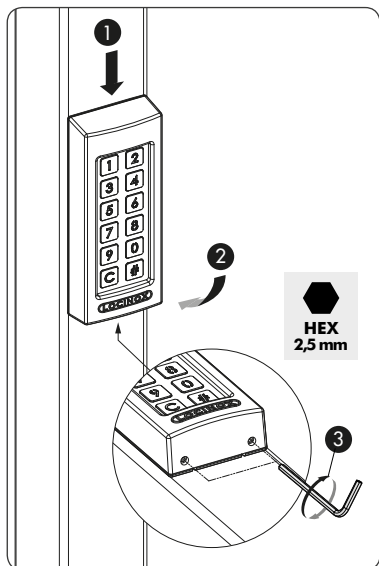
**KROK 4.**

Zamontuj klawiaturę SlimStone i dokręć obie śruby Quick-Fix.



KROK 5.

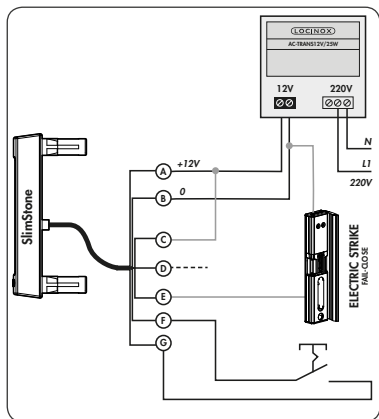
Założ obudowę klawiatury i zamocuj ją dokręcając 2 śruby w jej dolnej części.



PL

4. PRZEWODY PODŁĄCZENIOWE

Urządzenie SlimStone jest wyposażone w 7-żyłowy kabel o długości 2 metrów.



Na str. 55 zamieszczono szczegółowy schemat podłączeń.

Zasilanie

A ▶ AC1 ▶ Niebieski

B ▶ AC2 ▶ Brązowy

Przełącznik

C ▶ Przełącznik COM ▶ Czarny

D ▶ Przełącznik NC ▶ Czerwony

E ▶ Przełącznik NO ▶ Pomarańczowy

Przycisk anulowania

F ▶ Przycisk NO ▶ Biały

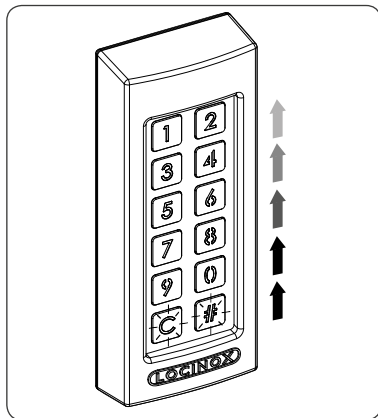
G ▶ Przycisk COM ▶ Zielony

⚠ Aby klawiatura działała prawidłowo, należy zaizolować oddzielnie końcówki przewodów niewykorzystanych do instalacji.

5. OBSŁUGA URZĄDZENIA SLIMSTONE

5.1 WPROWADZENIE PRAWIDŁOWEGO KODU

- Wpisz na klawiaturze osobisty kod (od 4 do 8 cyfr).
- Naciśnij # aby go potwierdzić.
- Przez czas uruchomienia przełącznika (standardowo 8 sekund), od dołu klawiatury będzie przepływać światło jej podświetlenia.



- Gdy światło się zatrzyma, oznaczać to będzie, że przełącznik nie jest już uruchomiony. Klawiatura jest wtedy gotowa do wprowadzenia nowego kodu.

5.2 WPROWADZENIE NIEPRAWIDŁOWEGO KODU

- Użytkownik wprowadził niewłaściwy kod.
- Naciśnięcie # aby go potwierdzić.

- Całe oświetlenie klawiatury miga wtedy przez 2 sekundy informując, że wprowadzono nieprawidłowy kod.
- Po 5-krotnym wprowadzeniu pod rząd nieprawidłowego kodu urządzenie SlimStone będzie przez pewien czas niedostępne do ponownego wprowadzenia kodu ze względów bezpieczeństwa. Czas ten wyniesie: 2 ^(liczba błędnych prób) sekund.

Np. 6 błędnych prób oznacza, że klawiatura będzie zablokowana przez 64 sekundy (2⁶ sekund).

Liczba prób wprowadzenia kodu zostanie wyzerowana po wpisaniu poprawnego kodu lub gdy przez 2 godziny nie zostanie wprowadzony żaden nowy kod.

5.3 PRZEKAŹNIK PRIORYTETOWY

- Do styku wejściowego „Anuluj/Override” klawiatury SlimStone można podłączyć przycisk lub inny element podający sygnał. Na przykład domofon, swobodne wyjście itp.
- Przewody F i G należy podłączyć zgodnie ze schematem podłączeń na str. 55.
- Styk NO przycisku zewnętrznego należy podłączyć pomiędzy „Przyciskiem NO” (F) a „Przyciskiem COM” (G).

Uwaga! Musi to być bezpotencjałowy styk z działaniem NO.

- Przez czas uruchomienia przełącznika, od dołu do góry klawiatury będzie przepływać światło jej podświetlenia.

6. PROGRAMOWANIE

6.1 WEJŚCIE DO TRYBU PROGRAMOWANIA

- Przez 5 sekund naciskaj przycisk **#** który zacznie migać.
- Wprowadź główny kod PIN (zob. 6.3) i naciśnij **#**. Jeśli kod jest prawidłowy, przycisk **#** pozostanie podświetlony do chwili aktywowania się trybu programowania. W razie wpisania nieprawidłowego kodu, wszystkie przyciski będą migać.

Jeśli podświetlony jest tylko przycisk # oznacza to, że znajdujesz się w menu głównym trybu programowania.

- W menu wybierz żądany numer (zob. 6.2) i potwierdź wybór przyciskiem **#**.

Urządzenie automatycznie wyjdzie z trybu programowania, gdy przez 60 sekund użytkownik nie użyje żadnego przycisku.

- Naciśnięcie przycisku **C** powoduje przejście do wyższego poziomu menu.
- Po wprowadzeniu nieprawidłowego głównego kodu PIN, urządzenie wyjdzie z trybu ustawień i zablokuje się na pewien czas, jak opisano w punkcie 5.2.
- Aby opuścić tryb programowania, naciśnij **C** przez 5 sekund.

6.2 OPCJE W TRYBIE PROGRAMOWANIA

- 9** ▶ Ustaw główny kod PIN
- 1** ▶ Dodaj kod PIN
- 2** ▶ Usuń kod PIN
- 3** ▶ Ustaw czas uruchomienia przełącznika
- 4** ▶ Ustaw tryb oświetlenia
- 0** ▶ Przywróć ustawienia fabryczne (reset)

6.3 USTAWIANIE GŁÓWNEGO KODU PIN

- Wejść do trybu programowania (zob. 6.1).

Dla bezpieczeństwa zaleca się, aby przy rozpoczęciu korzystania z urządzenia zmienić najpierw główny kod PIN.

- Naciśnij **9** i potwierdź wybór za pomocą **#**.
- Przyciski **9** i **#** zostanie podświetlone.

Fabrycznie ustawiony główny kod PIN to 12345. Główny kod PIN musi składać się z 5 cyfr.

- Wprowadź nowy, 5-cyfrowy główny kod PIN i naciśnij **#**. Następnie powtórz ten krok.
- Jeśli powtórnie wprowadzony kod będzie zgodny z nowym kodem, na krótko zaświecą się wszystkie diody i urządzenie powróci do menu głównego w trybie programowania.

Po wprowadzeniu dwóch różnych kodów lub kodu o niewłaściwej długości, wszystkie światła LED zamigają 3 razy na znak, że kod nie został zapisany. Spróbuj ponownie. 9

- Ze względów bezpieczeństwa główny kod PIN może być wprowadzany tylko w trybie programowania. Nie wolno go więc używać jako kodu dostępu.

6.4 DODAWANIE KODU PIN

- Wejść do trybu programowania (zob. 6.1)

W urządzeniu można ustawić do 100 różnych kodów PIN (o co najmniej 4 i maks. 8 cyfrach).

- Naciśnij **1** i potwierdź wybór za pomocą **#**.
- Podświetlą się przyciski **1** i **#**.
- Wprowadź nowy kod PIN i potwierdź go naciskając **#**. Następnie powtórz ten krok.
- Jeśli oba wprowadzone kody będą zgodne, nowy kod PIN zostanie zapisany. Przez chwilę zaświecą się wszystkie światła LED.
- Urządzenie powróci do menu głównego w trybie programowania.

! *Po wprowadzeniu dwóch różnych kodów lub kodu o niewłaściwej długości, wszystkie przyciski zamigają 3 razy na znak, że kod nie został zapisany. Spróbuj ponownie. **1** pozostanie podświetlone.*

PL

6.5 USUWANIE KODU PIN

- Wejdź do trybu programowania (zob. 6.1).
- Naciśnij **2** i potwierdź wybór za pomocą **#**.
- Podświetlą się przyciski **2** i **#**.
- Wpisz kod PIN, który chcesz usunąć i naciśnij **C**. Następnie powtórz ten krok.
- Wszystkie światła LED zaświecą się przez chwilę na znak, że kod został usunięty.
- Urządzenie powróci do menu głównego w trybie programowania.

! *Po wprowadzeniu dwóch różnych kodów lub kodu o niewłaściwej długości, wszystkie przyciski zamigają 3 razy na znak, że kod nie został usunięty. Spróbuj ponownie. **2** pozostanie podświetlone.*

6.6 USTAWIANIE CZASU URUCHOMIENIA PRZEKAŹNIKA

- Wejdź do trybu programowania (zob. 6.1).
- Naciśnij **3** i potwierdź wybór za pomocą **#**.
- Podświetlą się przyciski **3** i **#**.
- Wpisz czas, przez jaki przełącznik ma pozostać uruchomiony (z przedziału 1-99 sekund) i potwierdź wybór za pomocą **#**.
- Wszystkie diody LED zaświecą się na chwilę, jeśli wpisano czas z dozwolonego przedziału czasowego.
- Urządzenie powróci do menu głównego.

! *Tryb impulsu: gdy urządzenie SlimStone służy do sterowania systemem automatyzacji dostępu, niezbędne jest przesłanie impulsu. Tryb ten można aktywować poprzez ustawienie czasu na wartość 0 sekund. Długość trwania*

impulsu wynosi wówczas 150 ms.

! *Po wprowadzeniu nieprawidłowej wartości czasu wszystkie przyciski zamigają 3 razy. Menu **3** pozostanie aktywne.*

! *Standardowy czas uruchomienia przełącznika jest ustawiony na 8 sekund.*

6.7 USTAWIANIE TRYB OŚWIETLENIA

- Wejdź do trybu programowania (zob. 6.1).
- Naciśnij **4** i potwierdź wybór za pomocą **#**.
- Podświetlą się przyciski **4** i **#**.
- Wybierz tryb, w jakim ma działać oświetlenie:
 - 1** Zawsze włączone
 - 2** Wyłączenie po 45 sekundach
Oświetlenie wyłączy się po 45 sekundach braku aktywności. Po naciśnięciu dowolnego przycisku oświetlenie włączy się ponownie na 45 sekund.
- Naciśnij **1** lub **2** i potwierdź wybór za pomocą **#**. Gdy wszystkie światła LED zamigają, oznaczać to będzie pomyślne zapisanie wybranego trybu oświetlenia.
- Urządzenie powróci do menu głównego w trybie programowania.

! *Po wprowadzeniu nieprawidłowej cyfry wszystkie światła zamigają 3 razy. Należy spróbować ponownie. Menu **4** pozostanie aktywne.*

6.8 PRZYWRACANIE USTAWIEŃ FABRYCZNYCH

- Wejdź do trybu programowania (zob. 6.1).
- Naciśnij **0** i potwierdź wybór za pomocą **#**.
- **0** zamiga szybko na ostrzeżenie, że użytkownik może teraz wykonać czynność, której nie da się cofnąć.
- Wprowadź główny kod PIN i potwierdź reset naciskając przycisk **#** przez 2 sekundy.
- Gdy wszystkie światła LED zamigają, oznaczać to będzie zakończenie przywracania ustawień fabrycznych. Wszystkie ustawienia urządzenia są zresetowane do standardowych ustawień fabrycznych z wyjątkiem głównego kodu PIN.

6.9 PRZYWRACANIE USTAWIEŃ FABRYCZNYCH W RAZIE UTRATY GŁÓWNEGO KODU PIN

Można przywrócić ustawienia fabryczne bez użycia głównego kodu PIN:

- Wyłącz, a następnie włącz zasilanie, wprowadź fabryczny główny kod PIN: „12345” i potwierdź go naciskając **#** przez 20 sekund. W urządzeniu przywrócone zostały ustawienia fabryczne.
- Po wykonaniu resetu ustawień w ten sposób, główny kod PIN zostanie ustawiony na „12345”.

7. KONSERWACJA

- Do mycia obudowy i wyświetlacza należy użyć miękkiej ściereczki i neutralnego środka czyszczącego.
- Nie wolno do tego celu używać benzyny lub innych środków chemicznych, gdyż mogą uszkodzić obudowę.

8. INFORMACJE OGÓLNE

- Należy postępować zgodnie z lokalnymi przepisami dotyczącymi usuwania opakowania a także urządzenia po zakończeniu eksploatacji.
- Materiał opakowaniowy jest przyjazny dla środowiska. Można go w łatwy sposób podzielić na karton (pudełko) i rozkładany poliester (przegrody).
- Urządzenie jest wykonane z materiałów nadających się do recyklingu.

9. GWARANCJA

Wszystkie części elektroniczne są objęte dwuletnią gwarancją.

10. ROZWIĄZYWANIE PROBLEMÓW

OPIS PROBLEMU	ROZWIĄZANIE
• Całe oświetlenie klawiatury miga.	• Po kilkukrotnym wprowadzeniu nieprawidłowego kodu działanie klawiatury SlimStone zostaje zablokowane. (zob. 5.2).
• Oświetlenie klawiatury SlimStone gaśnie po naciśnięciu dowolnego przycisku.	• Sprawdź podłączenie do zasilania.
• Urządzenie SlimStone nie reaguje po wprowadzeniu kodu.	• Po wprowadzeniu kodu należy go zawsze potwierdzić naciskając # .
• Od dołu do góry klawiatury przepływa światło jej podświetlenia.	• Należy sprawdzić, czy przewody do przycisku anulowania są dobrze zaizolowane. • Być może czas uruchomienia przełącznika ustawiono na 99 sekund.
• Oświetlenie miga po wprowadzeniu kodu PIN i zatwierdzeniu go przyciskiem # .	• Wprowadzony kod jest niezgodny z zaprogramowanymi kodami (zob. 5.2).

PL

11. CZĘSTO ZADAWANE PYTANIA

PYTANIE	ODPOWIEŹ
• Czy klawiatura do wprowadzania kodów jest podgrzewana?	• Tak, urządzenie SlimStone wyposażono w regulowany system grzewczy, dzięki któremu przyciski klawiatury nie zamarzają.
• W jaki sposób zabezpieczono klawiaturę SlimStone przed warunkami pogodowymi?	• Urządzenie SlimStone zostało zaprojektowane w taki sposób, aby spełniało normę szczelności IP68.
• Czy klawiaturę SlimStone można stosować w połączeniu z bramą segmentową?	• Tak. Ustawienie czasu uruchomienia przełącznika na 0 wywoła impuls, za pomocą którego możliwe będzie sterowanie bramą segmentową.



Po zakończeniu użytkowania urządzenie można zwrócić swojemu sprzedawcy lub odesłać do firmy Locinox. Opłata recyklingowa dla tego produktu wynosi 0,2 €.



Oznaczenie WEE umieszczone na produkcie oznacza, że nie wolno go wyrzucać wraz ze zwykłymi śmieciami domowymi, tylko oddać do wyznaczonego punktu recyklingu odpadów elektrycznych i elektronicznych.



Producent urządzenia zapewnia, że podjął wszelkie niezbędne kroki w celu zagwarantowania, aby produkt ten spełniał obowiązujące wymogi w zakresie bezpieczeństwa.

Поздравляем с покупкой вашего SlimStone

1. ОПИСАНИЕ ПРОДУКТА

SlimStone – это прочная, устойчивая к погодным условиям клавиатура со встроенной светодиодной подсветкой. Эта клавиатура уникальна ввиду своей долговечности. Разработанная и протестированная для использования в самых экстремальных погодных условиях, SlimStone гарантирует контроль доступа при любых обстоятельствах. Благодаря встроенному реле с одним обычным открытым контактом и одним обычным закрытым контактом, подключение к Locinox и другим средствам автоматизации, а также программирование Slimstone очень просты. Оснащена инновативным креплением Quick-Fix, также в комплект входят альтернативные крепления для дерева и камня.

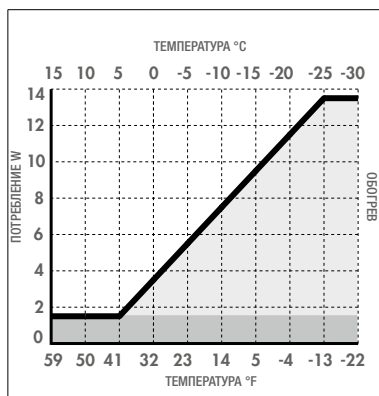
RU

SlimStone состоит из покрытого порошковым алюминием корпуса с панелью из нержавеющей стали и такими же тактильными кнопками.

До 100 программируемых кодов.

2. ТЕХНИЧЕСКИЕ ДАННЫЕ

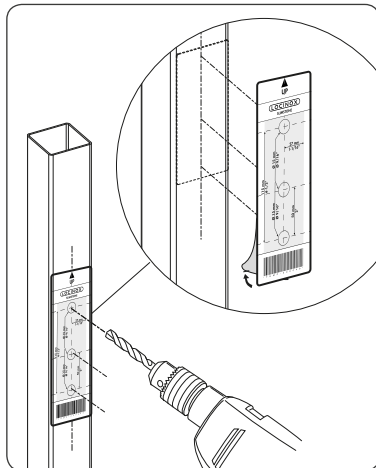
Рабочая температура	от -22°F до 185°F от -30°C до 85°C
Питание	12-24 V AC/DC
Подключение	0-26 V AC/DC, 2A (60W)
Длина кабеля	2м (6-1/2 футов)
IP-показатель	IP68
ВХОДНЫЙ СИГНАЛ	2-проводный низкого (5V) напряжени Преимущественный контакт
Мощность	1,5В (>5°C) + 12В при макс. обогреве (< -25°C)



3. МОНТАЖ

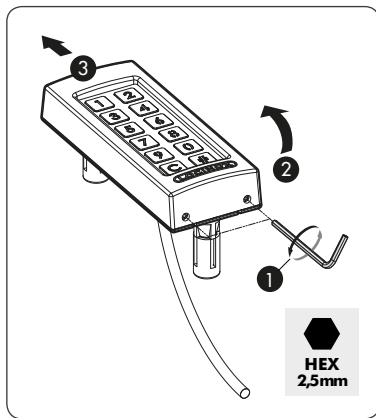
ШАГ 1

Приклеить шаблон и просверлить на стене или панели (см. стр.5).



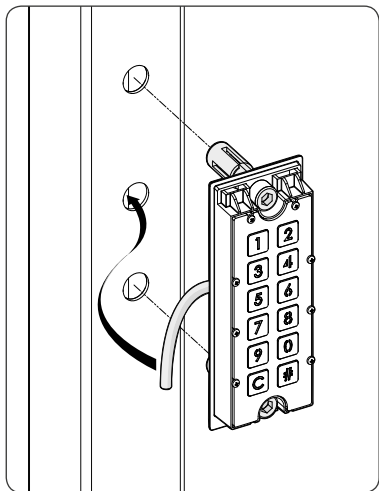
ШАГ 2

Снять крышку Slimstone.

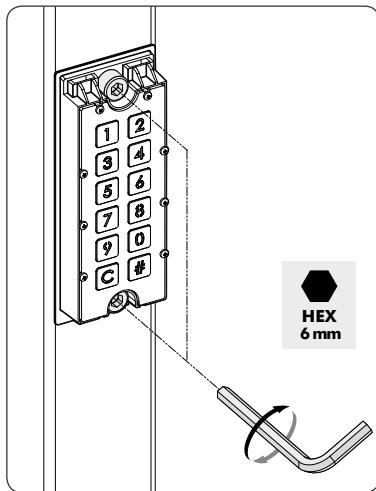


ШАГ 3А

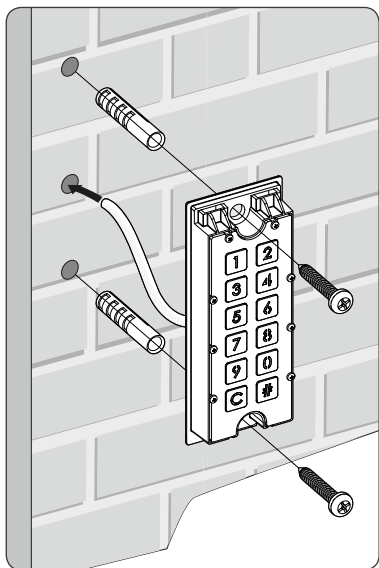
Протянуть кабель через среднее отверстие в панели.

**ШАГ 4**

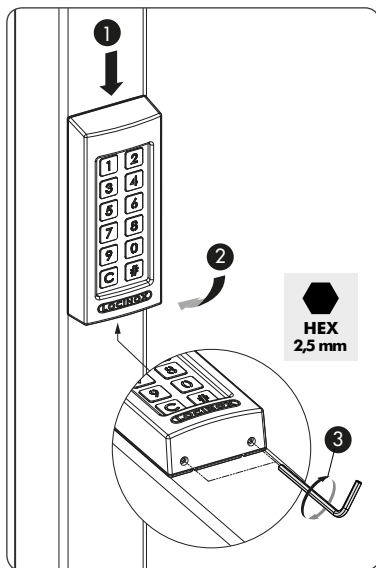
Установить SlimStone и натянуть оба Quick-Fix.

**RU****ШАГ 3Б**

Протянуть кабель через среднее отверстие в стене.

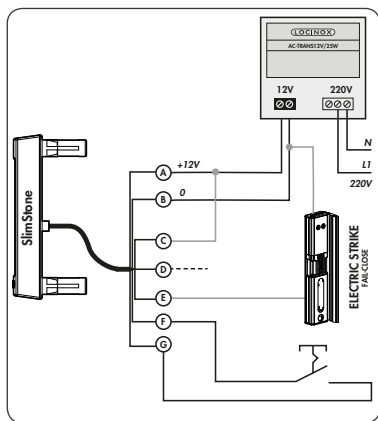
**ШАГ 5**

Установить крышку SlimStone и привинтить с помощью 2 винтов под ней.



4. ПРОВОЛОЧНАЯ АРМАТУРА

SlimStone оснащен 7-проводочным кабелем длиной 2 метра.



RU

См. подробную схему подключения на стр 55.

Питание

A	▶ AC1	▶ Синий
B	▶ AC2	▶ Коричневый

Реле

C	▶ Реле COM	▶ Черный
D	▶ Реле NC	▶ Красный
E	▶ Реле NO	▶ Оранжевый

Кнопка ручного контроля

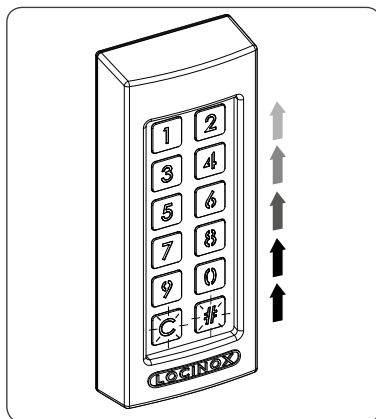
F	▶ NO	▶ Белый
G	▶ COM	▶ Зеленый

⚠ Для правильной работы клавиатуры необходимо по отдельности изолировать неиспользуемые окончания кабеля.

5. РАБОТА SLIMSTONE

5.1 ВВЕДЕНИЕ ПРАВИЛЬНОГО КОДА

- Ввести правильный код (мин. 4 - макс. 8 цифр)
- Нажать на **#**, чтобы подтвердить код.
- Сигнальный свет подается снизу вверх, когда реле приводится в действие (стандартное время = 8 секунд).



- Если сигнальный свет погасает, то реле останавливается. Клавиатура SlimStone готова к вводу нового кода.

5.2 ВВЕДЕНИЕ НЕПРАВИЛЬНОГО КОДА

- Ввести неправильный код.
- Нажать на **#**, чтобы подтвердить код.
- Освещение клавиатуры мигает в течение 2 секунд, чтобы показать, что был введен неверный код.
- Если неверный код вводится более 5 раз, то, ввиду мер безопасности, SlimStone не будет готова к вводу кода в течение определенного периода. Этот период следующий: 2 ^(количество неправильных попыток) секунд

Например: 6 неправильных попыток дают время ожидания 64 секунды (2⁶ секунды).

✎ Количество попыток сводится к нулю, если введен правильный код, или через два часа после ввода последнего кода.

5.3 ПРЕИМУЩЕСТВЕННЫЙ КОНТАКТ

- Для блокировки SlimStone можно подключить кнопку или другой датчик сигнала. Например, домофон, свободный выход, и т.д.
- Подключить провода F & G в соответствии со схемой подключения на стр. 55.
- Замыкающий контакт внешней кнопки должен быть подключен между кнопкой NO (F) и кнопкой COM (G).

⚠ **Внимание!** Это должен быть обесточенный контакт с функцией замыкания.

- Сигнальный свет подается снизу вверх, когда реле приводится в действие.

6. ПРОГРАММИРОВАНИЕ

6.1 ДОСТУП К РЕЖИМУ ПРОГРАММИРОВАНИЯ

- Нажать на **#** в течение 5 секунд. Затем она замигает.
- Ввести контрольный пин-код (см. 6.3) и нажать на **#**. Если код правильный, то **#** будет светиться, пока активирован режим программирования. При вводе неверного кода, все клавиши замигают.

! Если подсвечена только клавиша **#**, вы находитесь в главном меню режима программирования.

- Выбрать номер меню (см. 6.2) и подтвердить нажатием на **#**.

✎ Режим программирования автоматически выключается, если нет ввода в течение 60 секунд.

- Нажать на **C** для перехода в меню выше.
- Если введен неверный контрольный пин-код, происходит немедленный выход из режима программирования, и действует время ожидания, описанное в 5.2.
- Нажать на **C** в течение 5 секунд для выхода из режима программирования.

6.2 ОБЗОР

- 9** ▶ задать контрольный пин-код
- 1** ▶ добавить пин-код
- 2** ▶ удалить пин-код
- 3** ▶ установить время выдержки
- 4** ▶ установить режим подсветки
- 0** ▶ заводская перезагрузка

6.3 СОЗДАТЬ КОНТРОЛЬНЫЙ ПИН-КОД

- Войти в режим программирования (см. 6.1).

! Из соображений безопасности настоятельно рекомендуем изменить контрольный пин-код при первом использовании.

- Нажать на **9** и подтвердить нажатием на **#**.
- **9** и **#** загорятся.

✎ Контрольный пин-код по умолчанию 12345. Он всегда должен содержать 5 цифр.

- Ввести новый контрольный пин-код и нажать на **#**. Повторить этот шаг.
- Если коды совпадают, то вся подсветка кратко загорится и вы вернетесь в главное меню режима программирования.

! При вводе двух разных кодов или неверной длины кода, все клавиши мигают 3 раза, что показывает пользователю, что код не сохранился. Попробуйте заново. **9** остается подсвеченным.

- Из соображений безопасности контрольный пин-код можно использовать только для входа в режим программирования. Его нельзя использовать в качестве кода для входа.

6.4 ДОБАВИТЬ ПИН-КОД

- Войти в режим программирования (см. 6.1).

! Можно запрограммировать максимум 100 разных пин-кодов (мин. 4 - макс. 8 знаков).

- Нажать на **1** и подтвердить нажатием на **#**.
- **1** и **#** загорятся.
- Ввести новый пин-код и нажать на **#**. Повторить этот шаг.
- Если коды совпадают, то новый пин-код сохранен. Вся подсветка кратко загорится.
- Вы вернетесь в главное меню режима программирования.

! При вводе двух разных кодов или неверной длины кода, все клавиши мигают 3 раза, что показывает пользователю, что код не сохранился. Попробуйте заново. **1** остается подсвеченным.

6.5 УДАЛИТЬ ПИН-КОД

- Войти в режим программирования (см. 6.1).
- Нажать на **2** и подтвердить нажатием на **#**.
- **2** и **#** загорятся.
- Ввести пин-код, который вы хотите удалить, и нажать на **C**. Повторить этот шаг.
- Вся подсветка кратко загорится, указывая, что код удален.
- Вы вернетесь в главное меню режима программирования.

! При вводе двух разных кодов или неверной длины кода, все клавиши мигают 3 раза, что показывает пользователю, что код не был удален. Попробуйте заново. **2** остается подсвеченным.

6.6 УСТАНОВИТЬ ВРЕМЯ ВЫДЕРЖКИ

- Войти в режим программирования (см. 6.1).
- Нажать на **3** и подтвердить нажатием на **#**.
- **3** и **#** загорятся.
- Ввести время (от 1 до 99 секунд) и подтвердить нажатием на **#**.
- Время подтверждается короткой подсветкой всех светодиодов.
- Вы вернетесь в главное меню.

⚠ Режим импульса: Если SlimStone используется для контроля автоматизированных систем, то зачастую требуется импульс. Этот режим можно активировать настройкой времени на 0 секунд. Продолжительность импульса - 150 мс.

⚠ Если введено неверное время, все клавиши мигают 3 раза. Меню **3** остается активированным.

✍ Стандартное заданное время - 8 секунд.

6.7 УСТАНОВИТЬ РЕЖИМ ПОДСВЕТКИ

- Войти в режим программирования (см. 6.1).
- Нажать на **4** и подтвердить нажатием на **#**.
- **4** и **#** загорятся.
- Выбрать предпочитаемый режим работы подсветки:
 - 1** Всегда включена
 - 2** Выключена по истечении 45 секунд. Подсветка выключается после 45 секунд без ввода. Как только нажата клавиша, подсветка опять включается на минимальное время в 45 секунд.
- Нажать **1** или **2** и подтвердить нажатием на **#**. Когда вся подсветка загорается, ваш выбор сохранен.
- Вы вернулись в главное меню режима программирования.

⚠ Если введена неверная цифра, вся подсветка мигает 3 раза. Начните заново. Меню **4** остается активированным.

6.8 ЗАВОДСКАЯ ПЕРЕЗАГРУЗКА

- Войти в режим программирования (см. 6.1).
- Нажать на **0** и подтвердить нажатием на **#**.
- **0** кратко замигает, указывая, что предпринято

необратимое действие.

- Ввести контрольный пин-код и подтвердить нажатием на **#** в течение 2 секунд.
- Когда все клавиши замигают, заводская перезагрузка закончена. Восстановлены все заводские настройки, кроме контрольного пин-кода.

6.9 ЗАВОДСКАЯ ПЕРЕЗАГРУЗКА ПРИ УТЕРЕ КОНТРОЛЬНОГО ПИН-КОДА

Выполнить перезагрузку без контрольного пин-кода:

- Выключить, а затем включить питание, ввести стандартный контрольный пин-код 12345 и подтвердить нажатием на **#** в течение 20 секунд. Заводская перезагрузка выполнена.
- В случае вышеописанной заводской перезагрузки, контрольный пин-код сбрасывается и становится 12345.

7. ОБСЛУЖИВАНИЕ

- Используйте мягкую тряпочку, увлажненную нейтральным очищающим средством, для чистки корпуса и экрана.
- Никогда не используйте бензин или другие химические средства, так как они могут воздействовать на корпус.

8. ОБЩАЯ ИНФОРМАЦИЯ

- Пожалуйста, обращайте внимание на местные предписания о сдаче упаковочного материала и неиспользуемых аппаратов.
- Наш упаковочный материал экологичен. Упаковку можно разделить на два материала: картон (коробка) и полиэстер (буфер).
- Ваш аппарат сделан из материала, поддающегося переработке.

9. ГАРАНТИЯ

На всю электронику действует гарантия 2 года.

10. ВЫЯВЛЕНИЕ НЕИСПРАВНОСТЕЙ

ПРОБЛЕМА	РЕШЕНИЕ
<ul style="list-style-type: none">• Вся подсветка мигает.	<ul style="list-style-type: none">• Если неверный код вводится несколько раз, то работа SlimStone блокируется. См. 5.2.
<ul style="list-style-type: none">• Подсветка SlimStone выключилась после нажатия на клавишу.	<ul style="list-style-type: none">• Проверьте подключение питания.
<ul style="list-style-type: none">• SlimStone не реагирует после ввода кода.	<ul style="list-style-type: none">• Ввод кода всегда нужно подтверждать нажатием на #.
<ul style="list-style-type: none">• Сигнальный свет не выключается.	<ul style="list-style-type: none">• «Убедитесь, что кабели кнопки контроля изолированы.• Возможно, вы установили время в 99 секунд.
<ul style="list-style-type: none">• Подсветка мигает после ввода кода и нажатия на #.	<ul style="list-style-type: none">• Введенный код не совпадает с запрограммированными кодами. См. 5.2.

11. ЧАСТО ЗАДАВАЕМЫЕ ВОПРОСЫ

ВОПРОС	ОТВЕТ
<ul style="list-style-type: none">• Подогревается ли клавиатура?	<ul style="list-style-type: none">• Да, клавиатура SlimStone оснащена направленным подогревом, который защищает кнопки от замерзания.
<ul style="list-style-type: none">• Погодоустойчива ли клавиатура SlimStone?	<ul style="list-style-type: none">• Клавиатура SlimStone разработана в соответствии с нормой IP68.
<ul style="list-style-type: none">• Можно ли использовать SlimStone в сочетании с секционными воротами?	<ul style="list-style-type: none">• Да, установив выдержку реле на 0, подается толчок, с помощью которого можно управлять секционными воротами.

RU



Ненужный аппарат можно вернуть вашему распространителю или отправить назад в Locinox. Цена за переработку € 0,2.



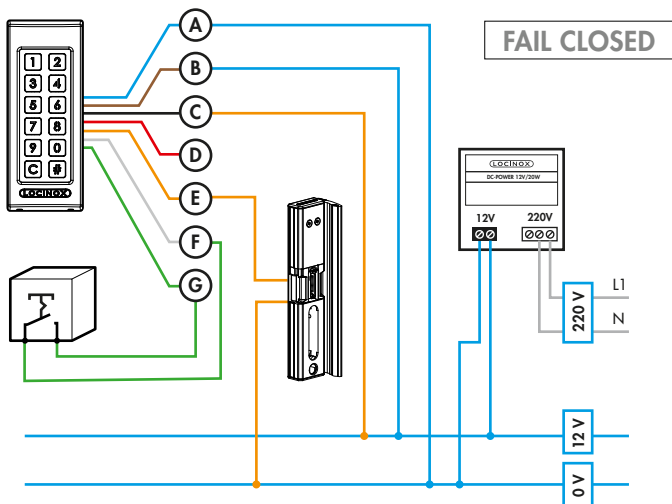
Маркировка WEE на товаре означает, что его нельзя выбрасывать с обычным домашним мусором, а необходимо передать в пункт сбора для переработки ненужных электрических и электронных аппаратов.



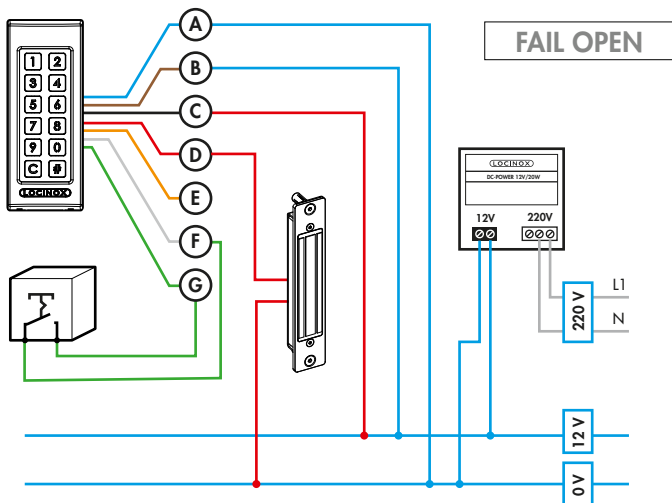
Будучи производителем этого товара, мы гарантируем, что мы приняли все необходимые меры в ЕС, чтобы он отвечал всем действующим требованиям о безопасности.

A series of horizontal lines for writing, spaced evenly down the page.

CONNECTION SCHEME • SCHÉMA DE CONNEXION
 AANSLUITSCHEMA • VERBINDUNGSSCHEMA
 ESQUEMA DE CONEXIÓN • SCHEMAT PODŁĄCZENIA
 СХЕМА ПОДКЛЮЧЕНИЯ



Power	Relais
A Blue Blauw Bleu Blau Azul Niebieski синий	C Black Zwart Noir Schwarz Negro Czarny черный
B Brown Bruin Brun Braun Marrón Brązowy коричневый	D Red Rood Rouge Rot Rojo Czerwony красный
Button	E Orange Oranje Orange Orange Naranja Pomarańczowy оранжевый
F White Wit Blanc Weiss Blanco Biały черный	
G Green Groen Vert Grün Verde Zielony зеленый	



LOCINOX

Let's make better fences together

Doc. Nr.: MANU-000400

Locinox nv • Mannebeekstraat 21
B-8790 Waregem • Belgium - Europe
Tel. +32 (0)56 77 27 66
E-mail: locinox@locinox.com

Locinox USA LLC • 460-464 Windy Point Drive
Glendale Heights • IL60139
Tel. 877-LOCINOX • Fax. 708-579-0978
E-mail: salesusa@locinox.com

