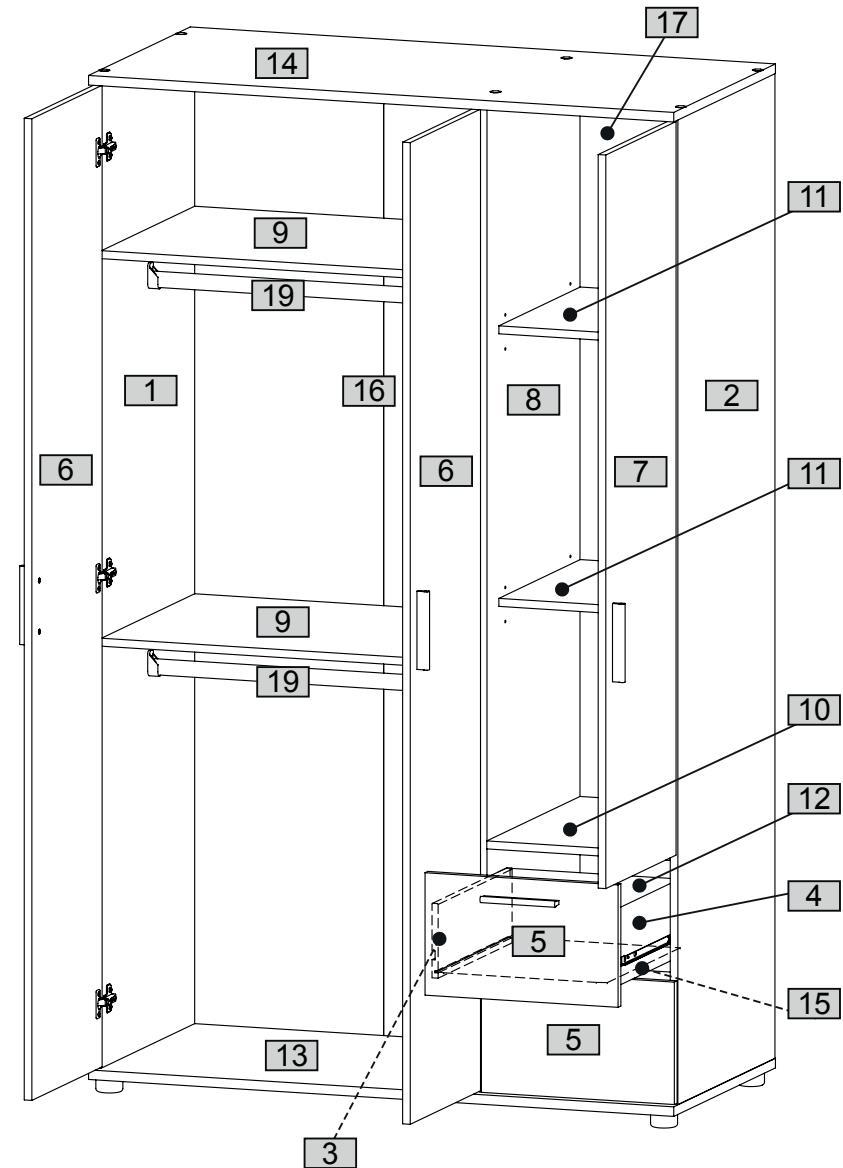
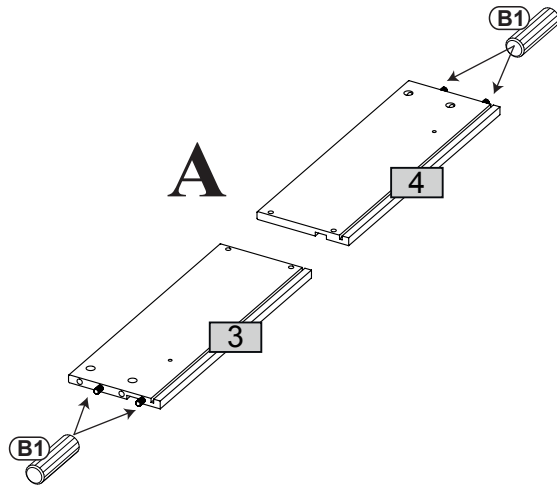
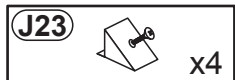
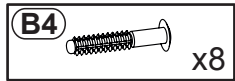
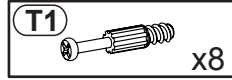
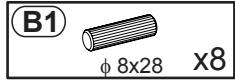


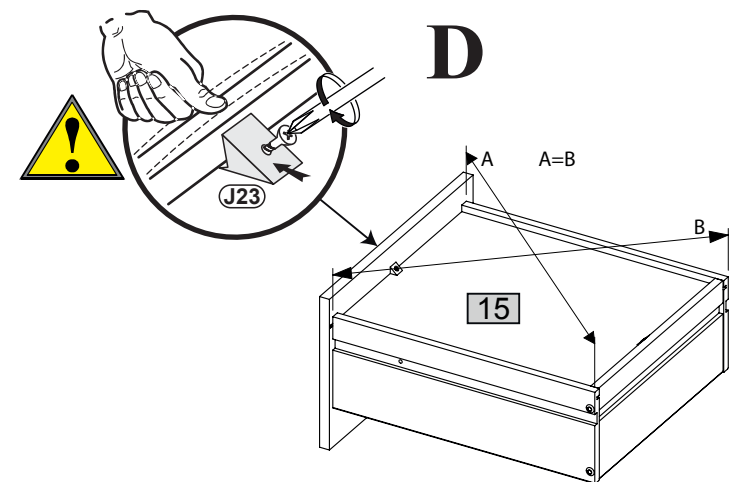
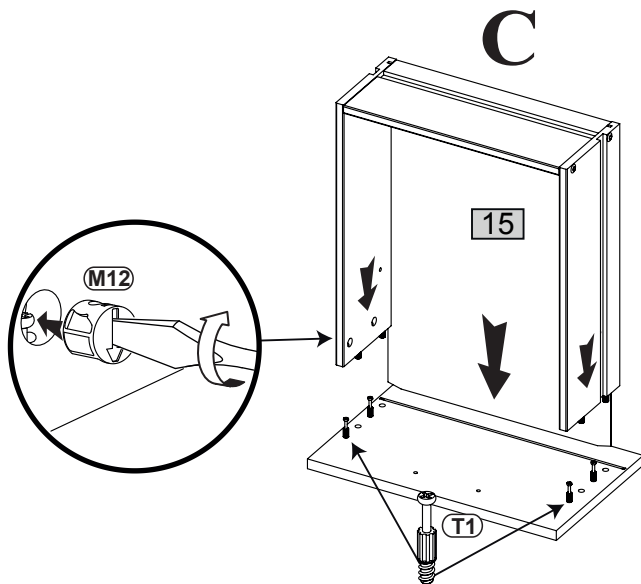
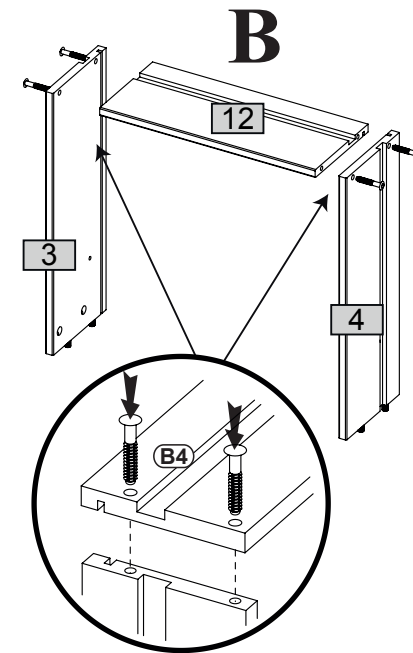
Nr	Ausmaß			St	Colli
1	1850	525	15	1	2
2	1850	525	15	1	2
3	400	140	12	2	1
4	400	140	12	2	1
5	380	230	15	2	1
6	1844	380	15	2	2
7	1378	380	15	1	2
8	1850	504	15	1	2
9	743	504	15	2	1
10	361	504	15	1	2
11	361	440	15	2	1
12	329	140	12	2	1
13	1152	550	18	1	1
14	1152	550	18	1	1
15	340	399	2	2	1
16	1864	379	2	2	2
17	1864	375	2	1	2
19	735			2	1





1





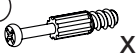
x2




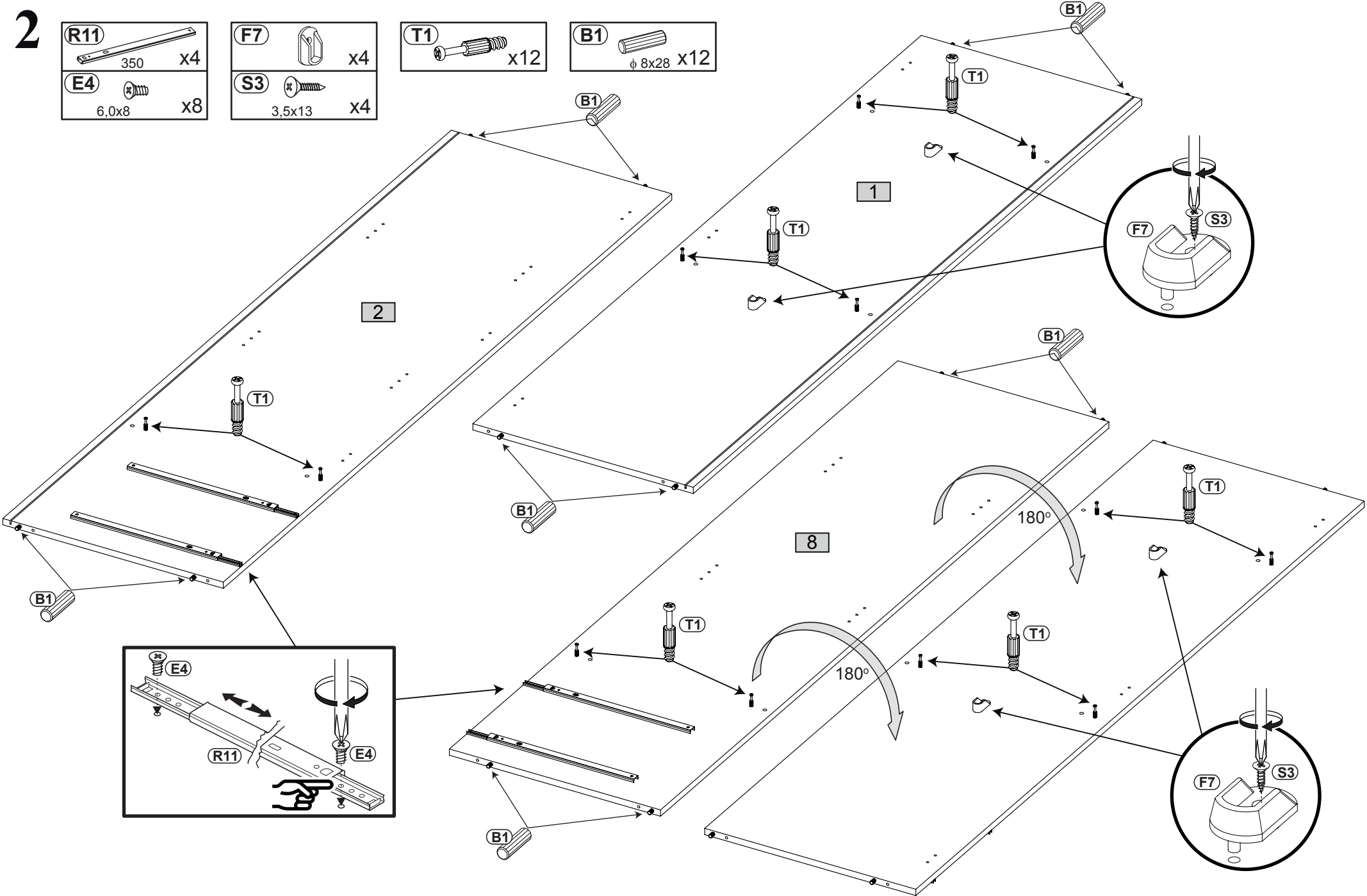
2

<b>R11</b>		350	x4
<b>E4</b>		6,0x8	x8

<b>F7</b>		x4	
<b>S3</b>		3,5x13	x4


<b>T1</b>		x12
-----------	---	-----

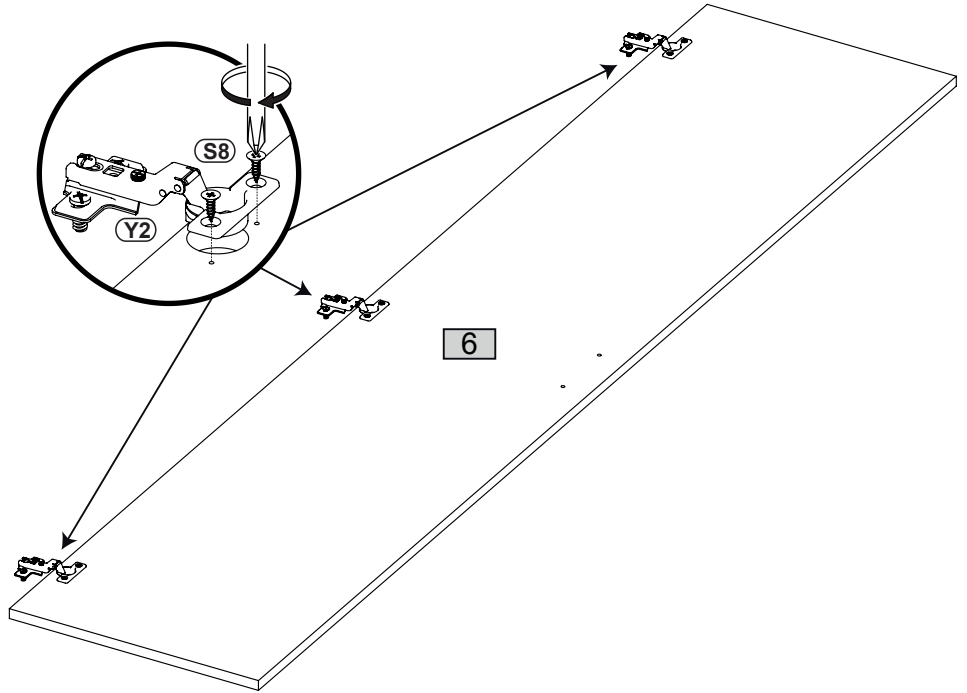
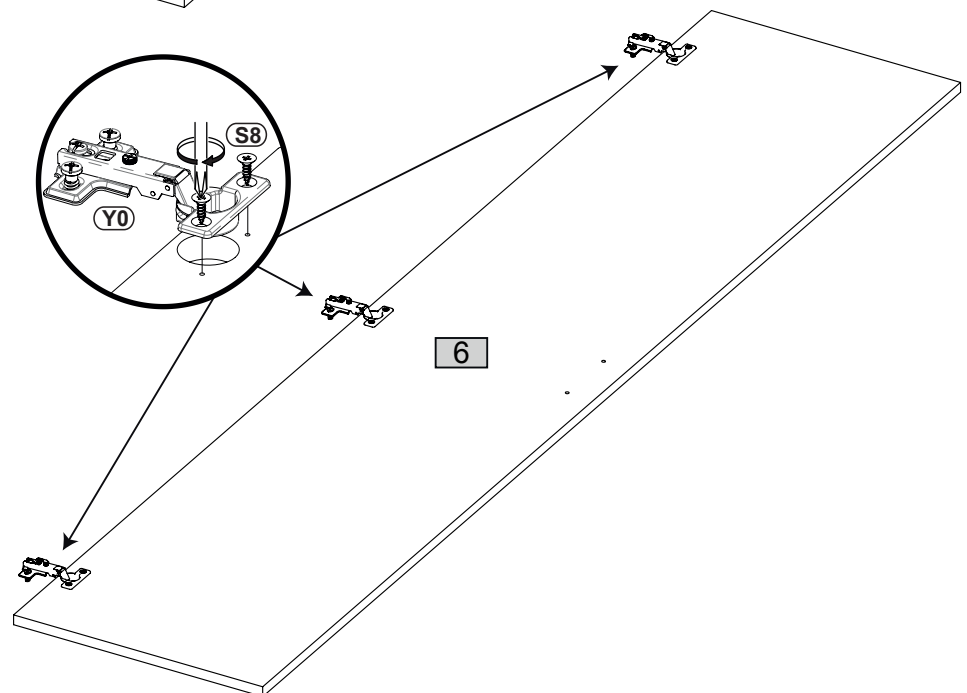
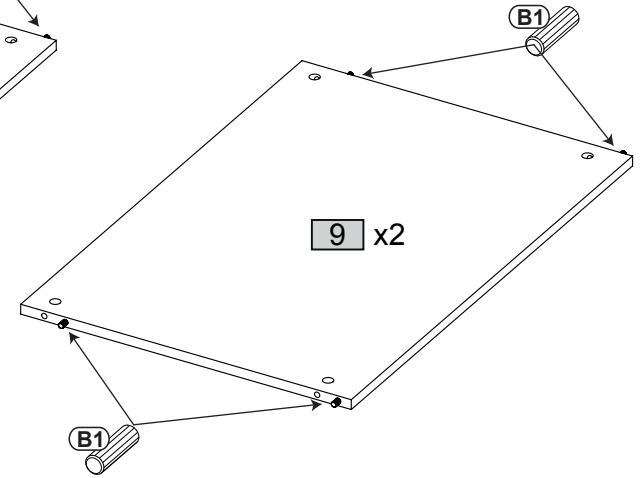
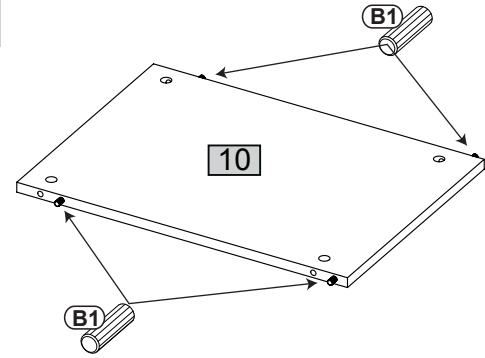
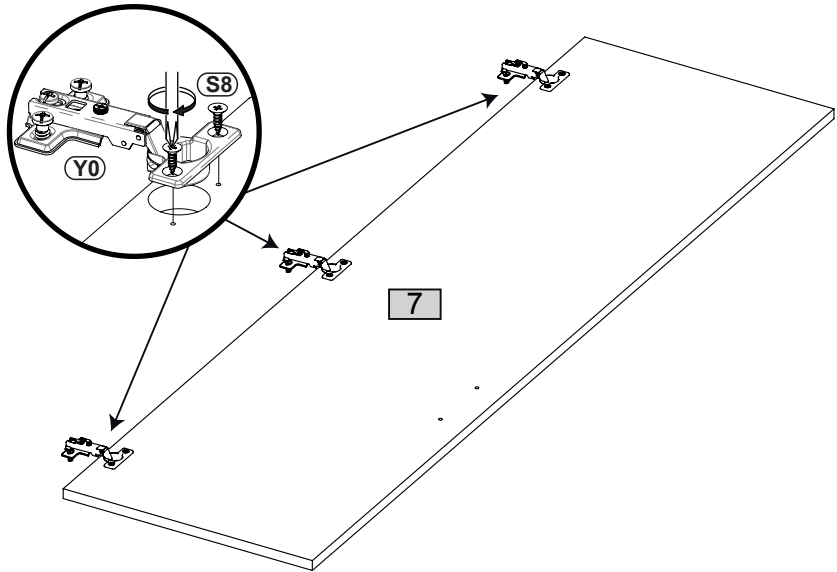
<b>B1</b>		φ 8x28	x12
-----------	---	--------	-----



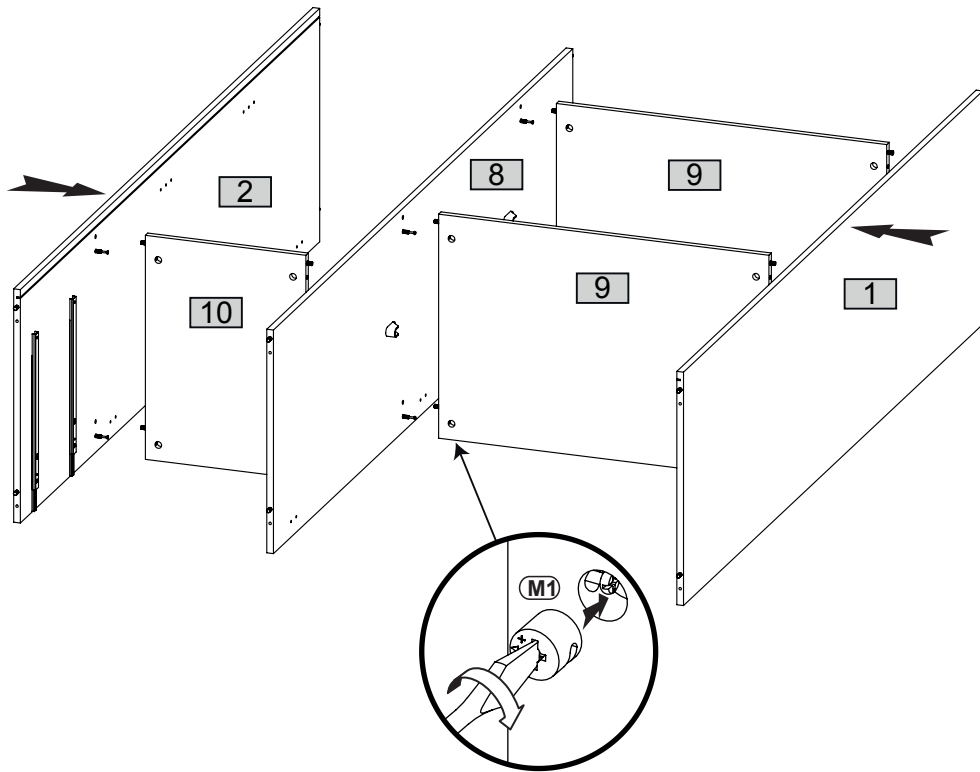
3

**Y0** KR0 x6    **Y2** KR8 x3    **S8**  4x13 x18

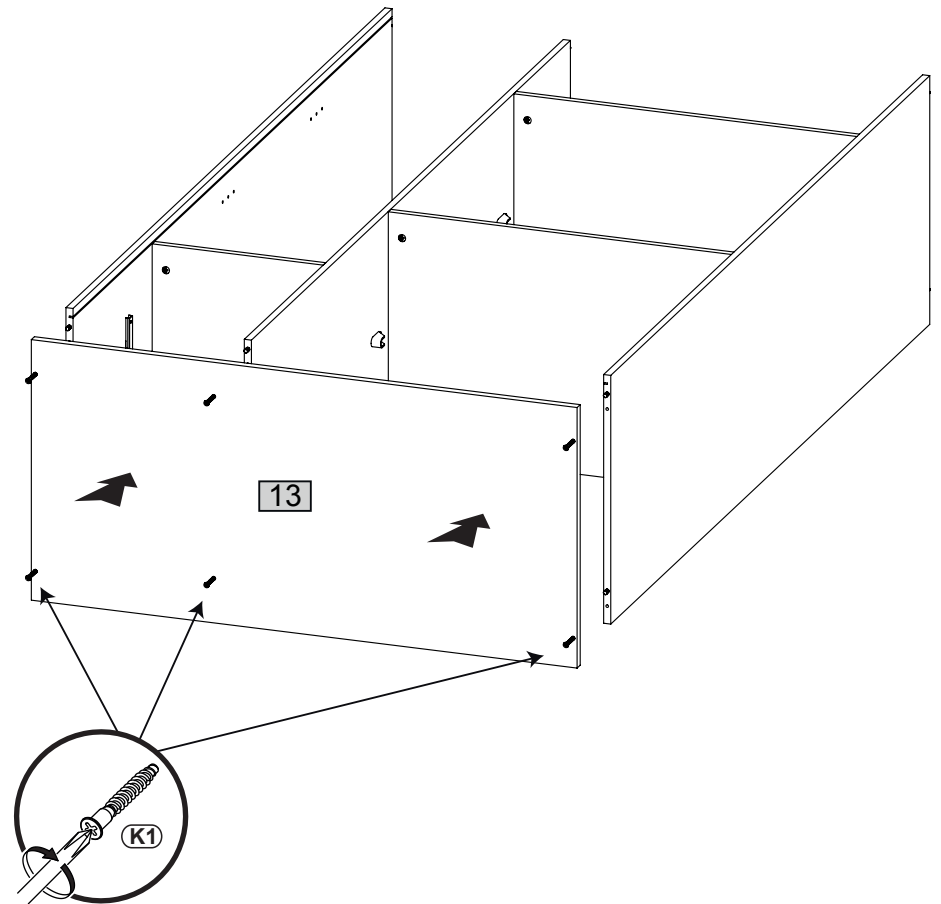
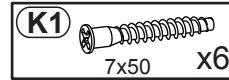
**B1**   $\phi$  8x28 x12



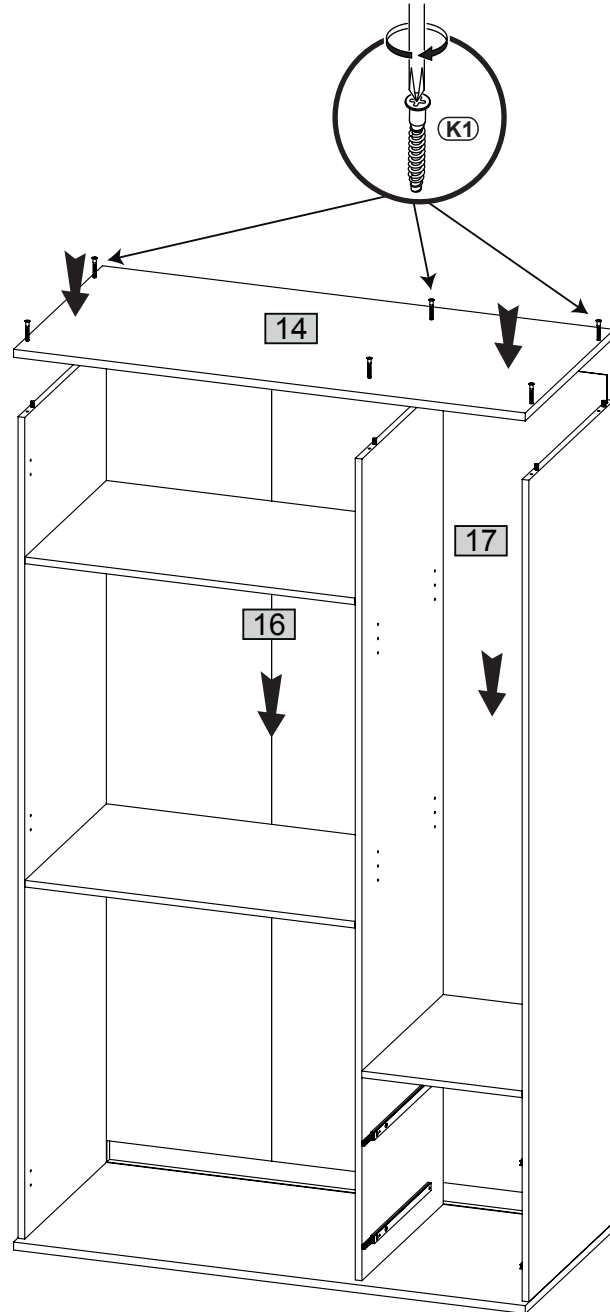
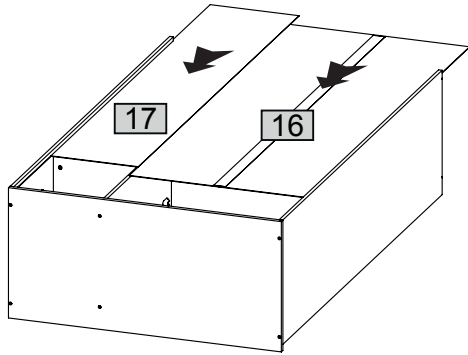
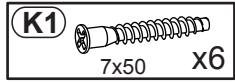
4



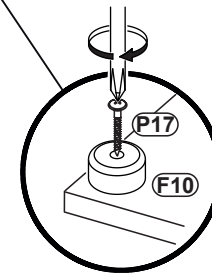
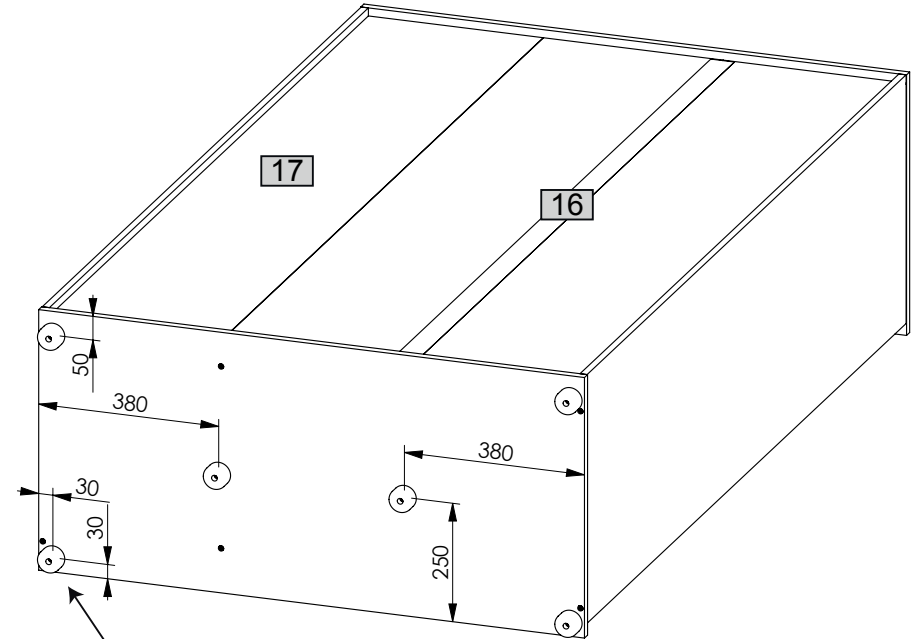
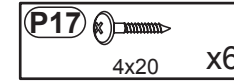
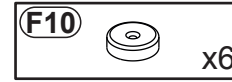
5




6

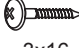



7

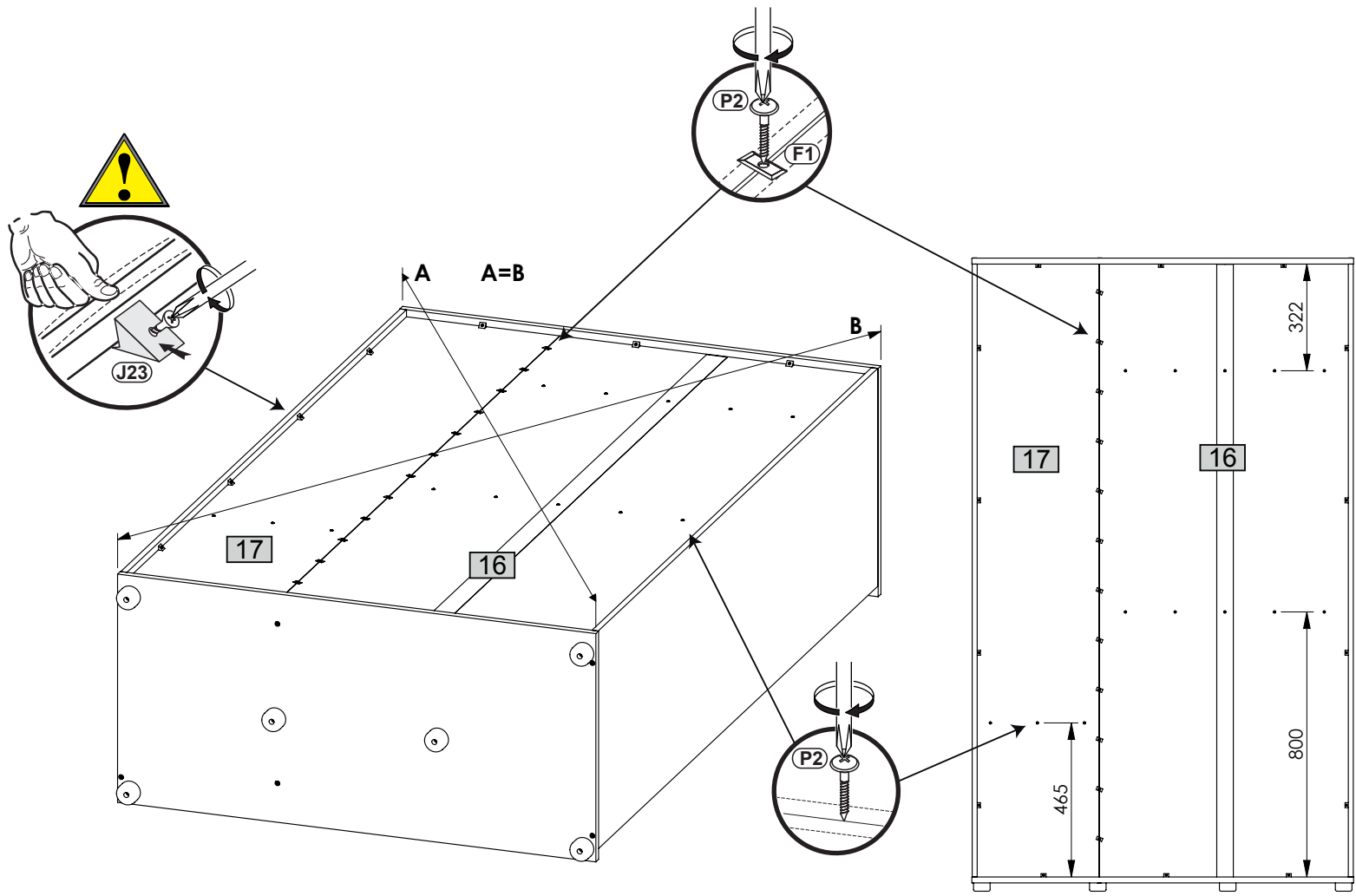


8

**F1**  x12

**P2**  3x16 x25

**J23**  x18





# 9

