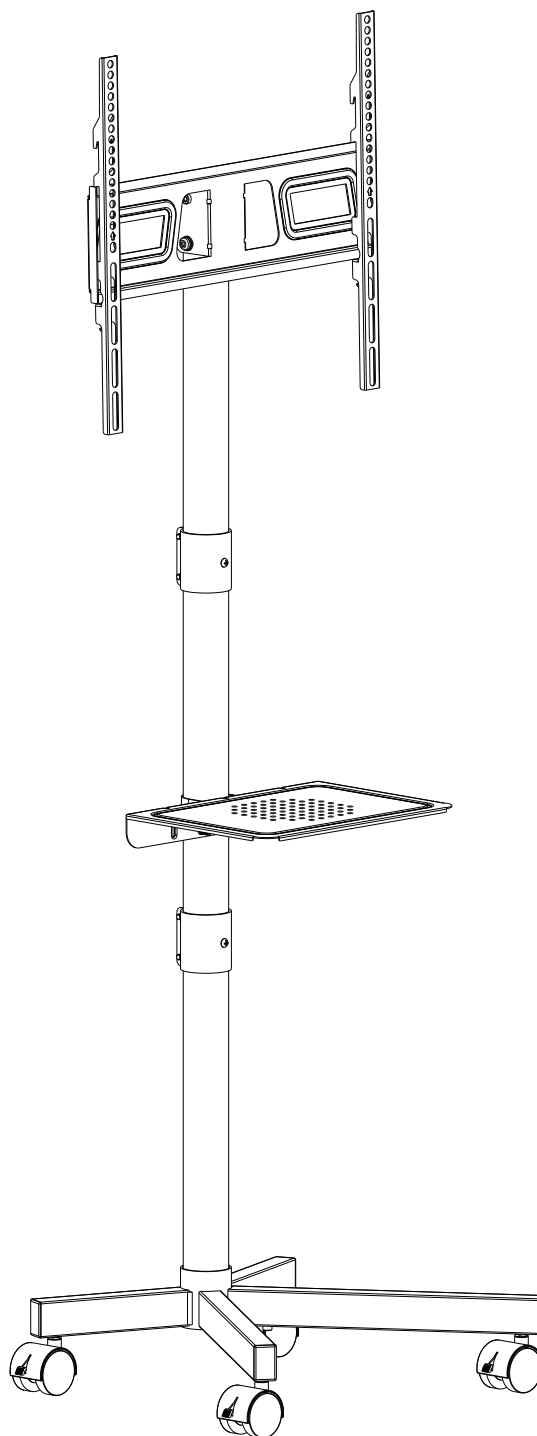



EN	Mobile cart for TV	FR	Chariot TV mobile
PL	Mobilny wózek do TV	ES	Carro para TV móvil
DE	Mobiler TV-Wagen	IT	Carrello porta TV
NL	Mobiele TV-trolley	CZ	Vozík pro mobilní televizi
RO	Cărucior TV mobil		



MC-949

 **max. VESA 400x400**

 **55" MAX**


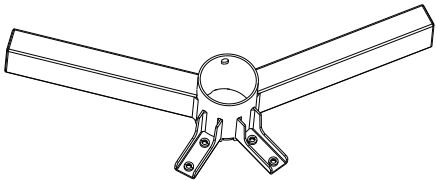


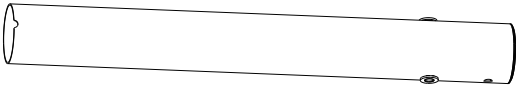
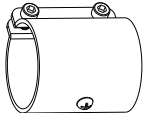

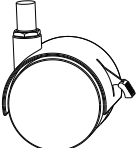
 **25kg max RATED**



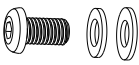

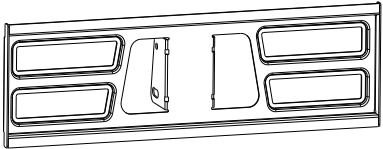
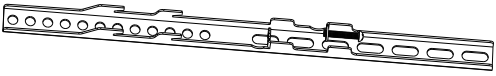
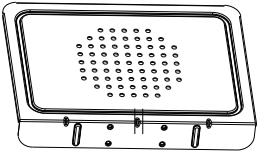
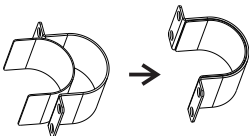
Assembly Instructions for Trolley Stand

safety warning: If you do not understand these directions, or have any doubts about the safety of the installation, please call a qualified contractor. Check carefully to make sure there are no missing or defective parts. Never use defective parts. Improper installation may cause damage or serious injury. Do not use this product for any purpose that is not explicitly specified in this manual. We can not be liable for damage or injury caused by incorrect mounting, incorrect assembly, or incorrect use.

Required Tools: Phillips screw driver.

Supplied Parts

NO.	Picture	Description	Quantity
1		square tube	2
2		tube connector	1
3		bottom pole	1
4		middle pole	1
5		top pole	1
6		pole connector	2
7		cable tie	3
8		wheel	4

NO.	Picture	Description	Quantity
9		M6X16	8
10		M8X20	1
11		M6X16	1
12		M8X16 D8 iron washer D8 plastic washer	2
13		M6X60	1
14		tool kit	1
15		square plate	1
16		tv arm set	2
17		shelf	1
18		“C” clamp soft pad	1

Supplied Parts



M-A

M4X12
X4PCS



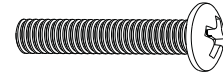
M-B

M4X30
X4PCS



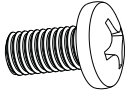
M-C

M6X15
X4PCS



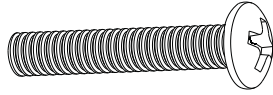
M-D

M6X30
X4PCS



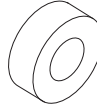
M-E

M8X20
X4PCS



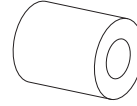
M-F

M8X 50
X4PCS



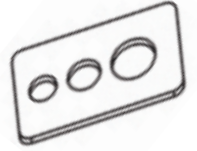
M-G

D8X5
X8PCS



M-H

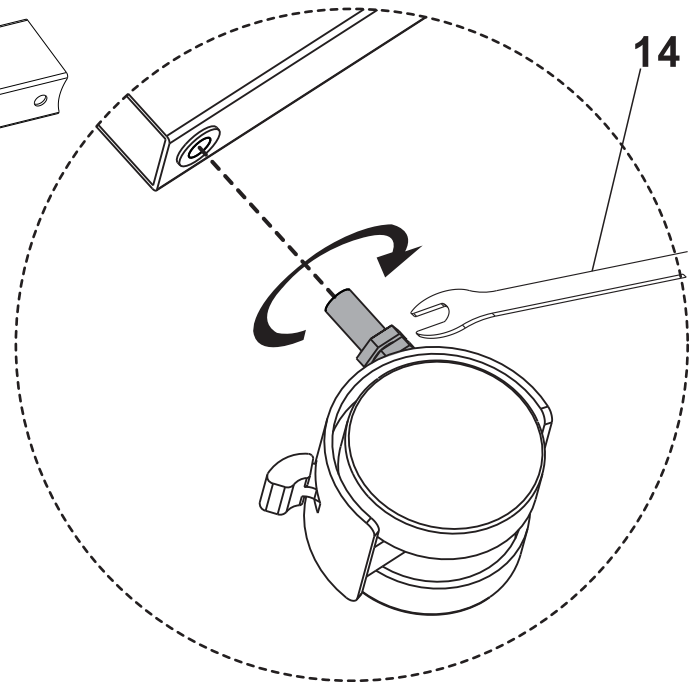
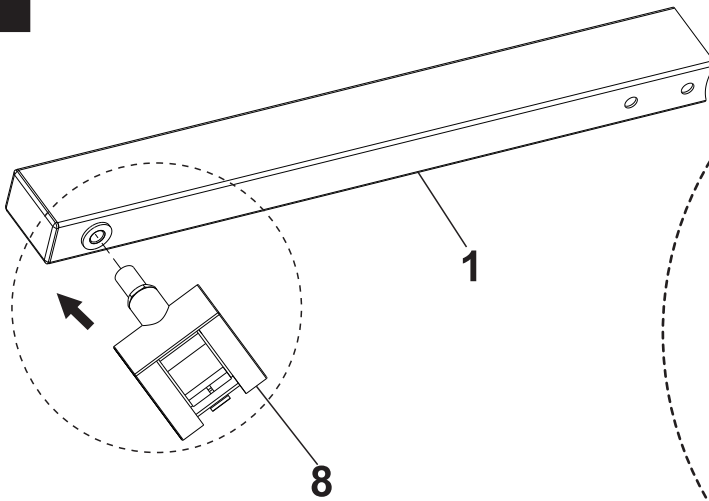
D8X10
X8PCS



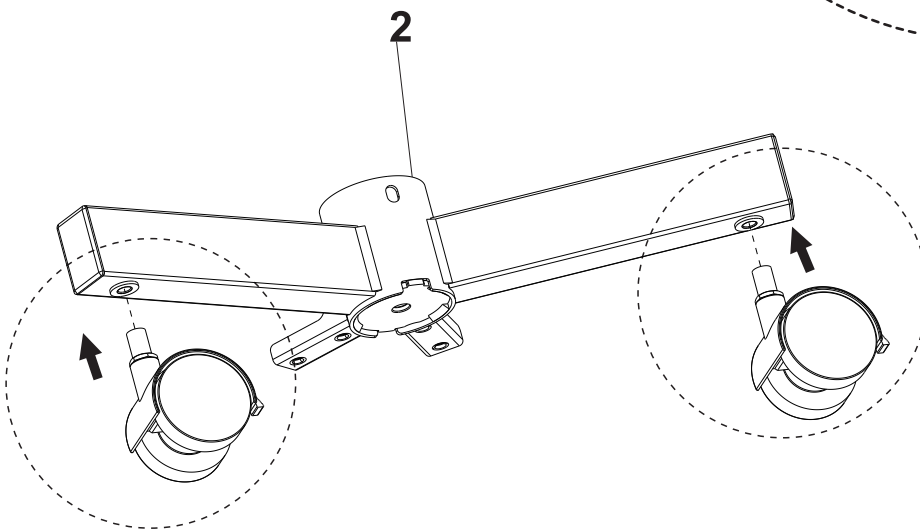
M-I

$\phi 4/\phi 6/\phi 8$
X4PCS

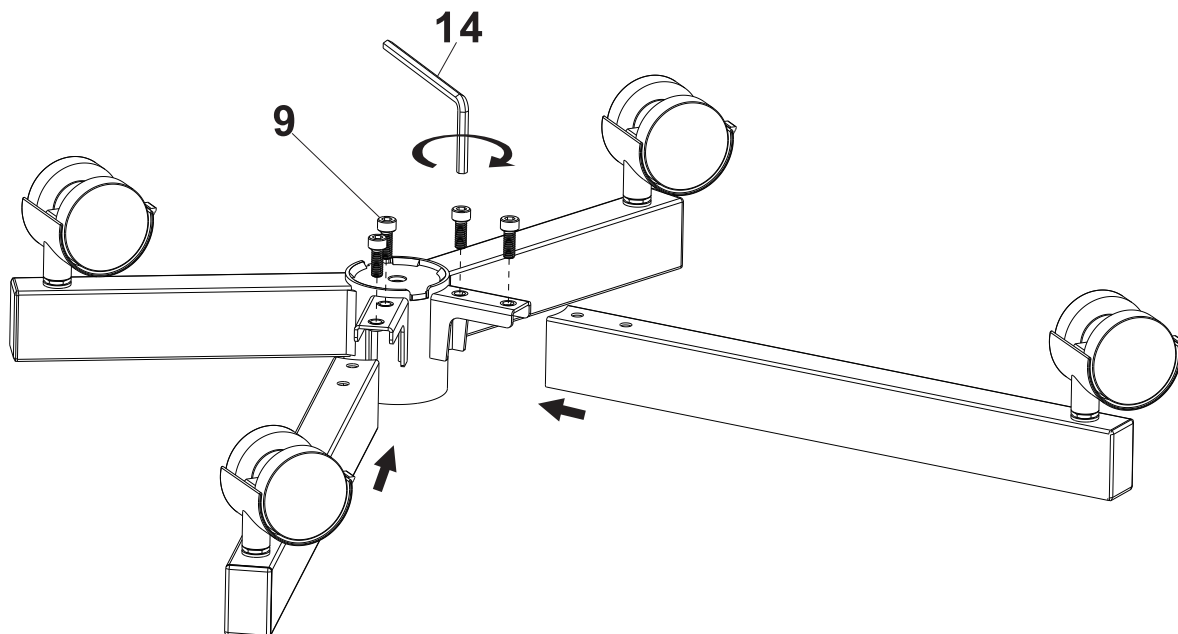
1



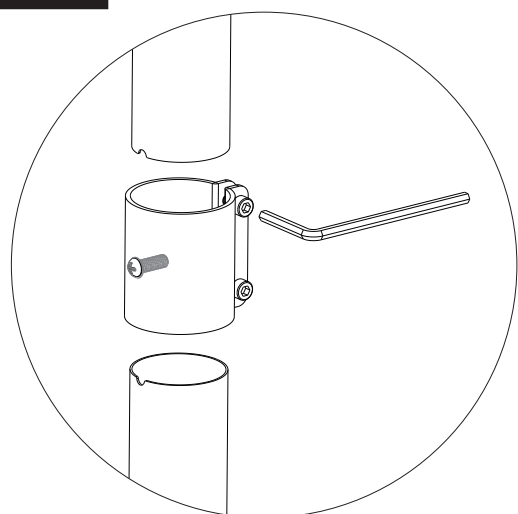
Turn this nut to adjust
the height of wheel



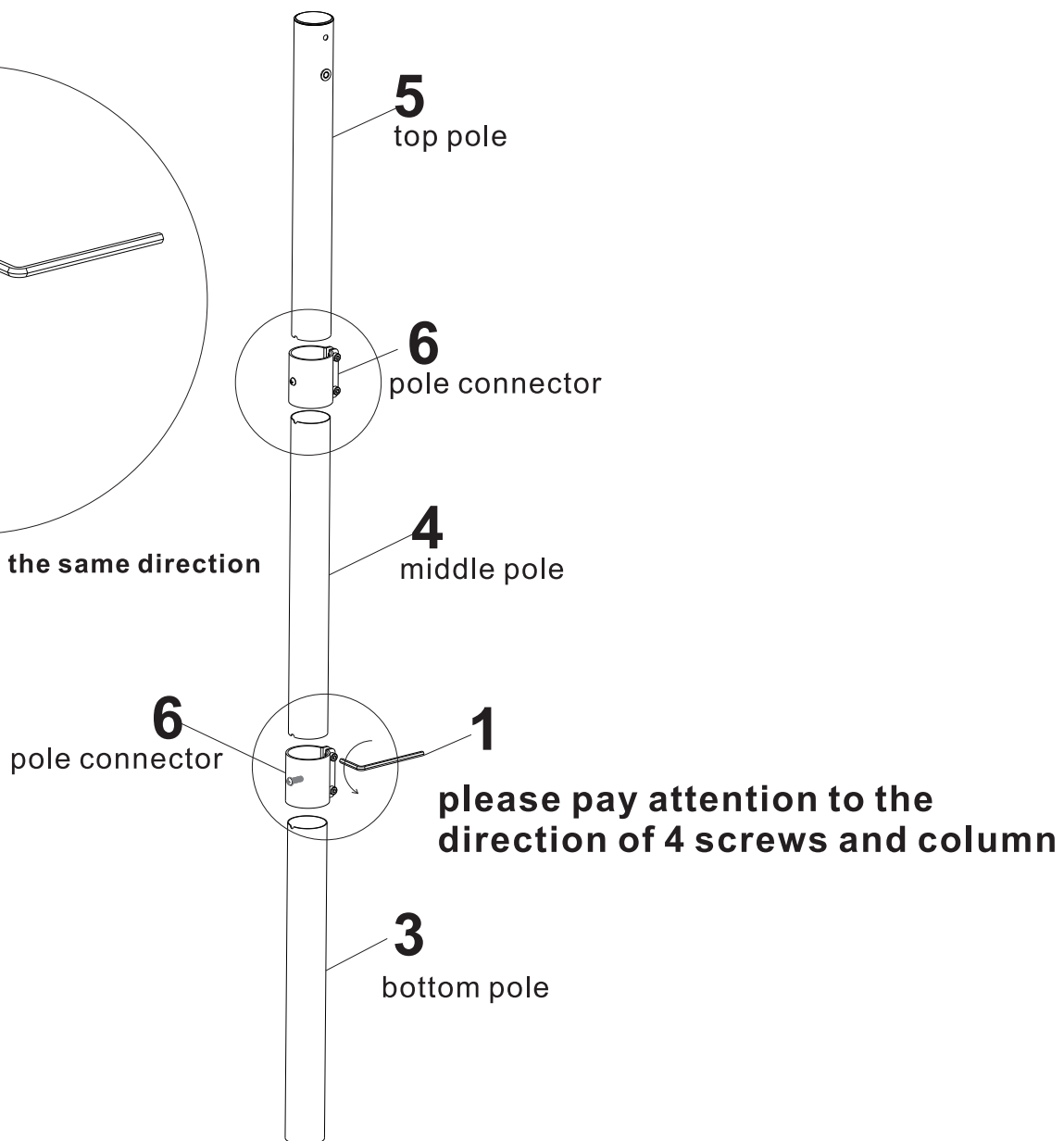
2



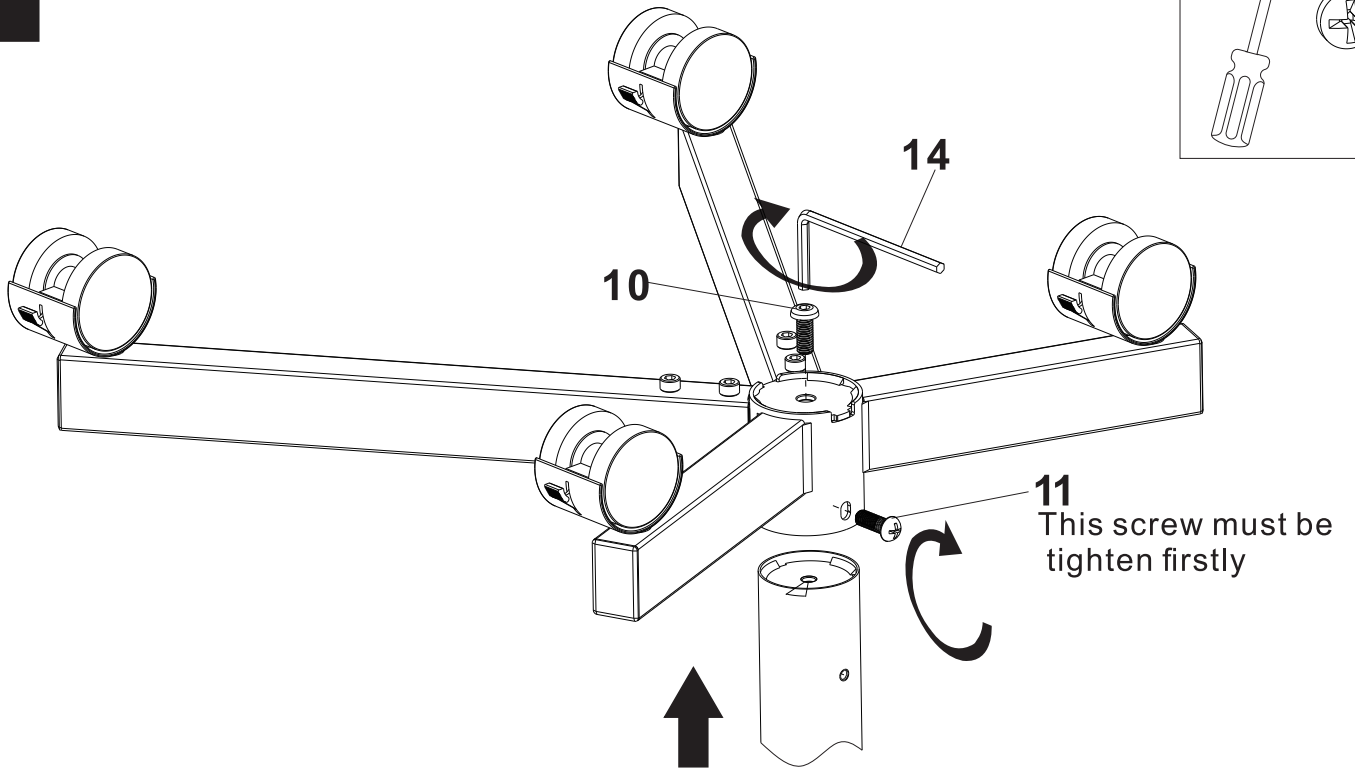
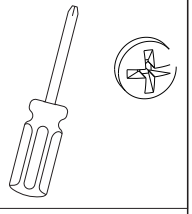
3



Notch and screw in the same direction

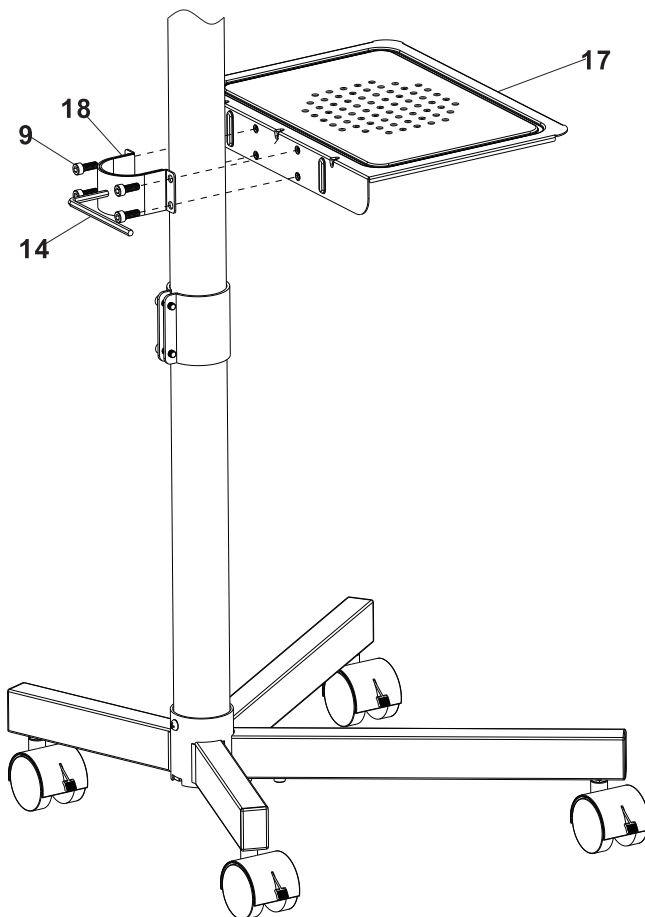


4

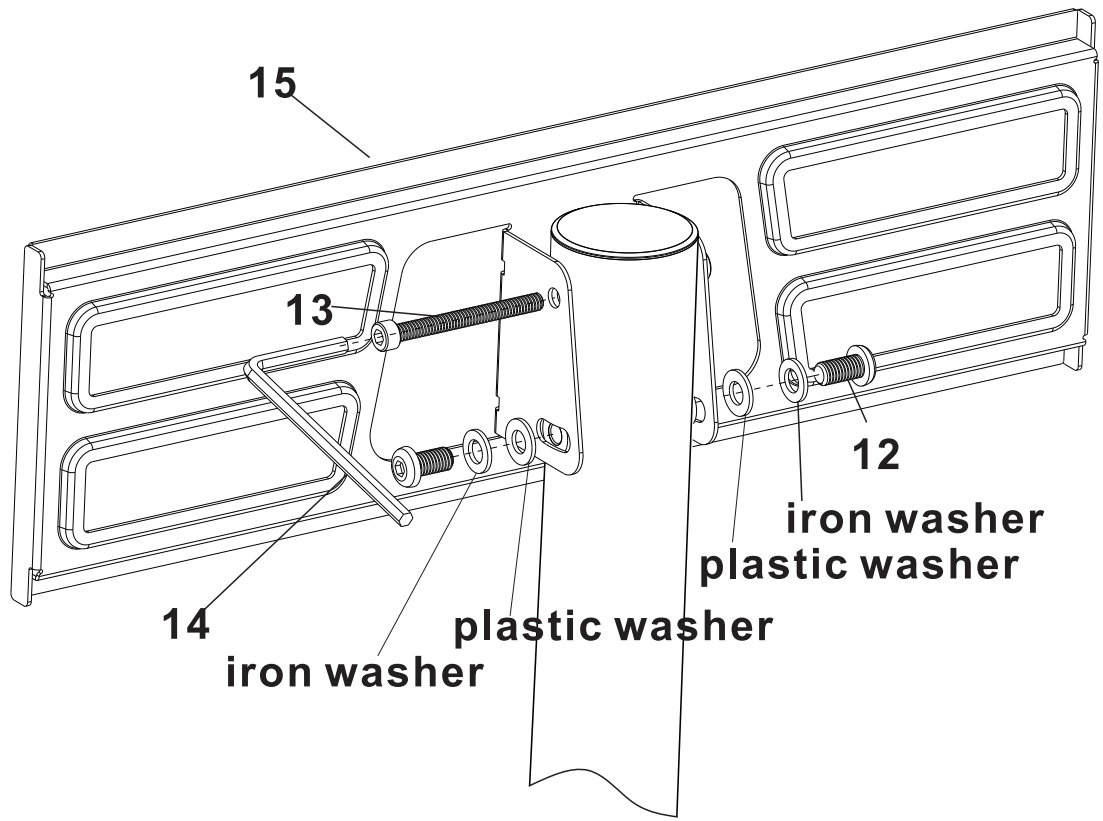


5

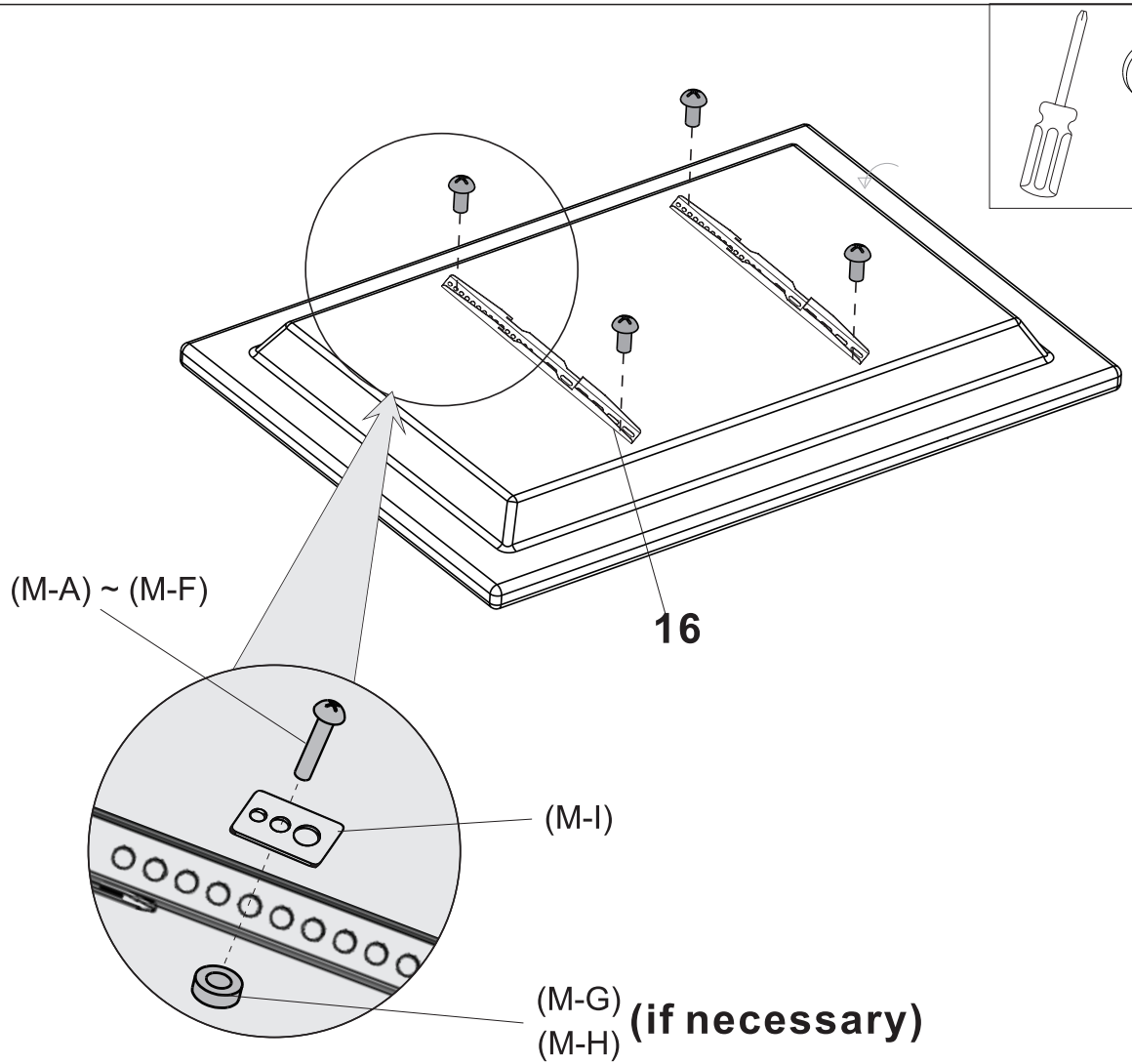
please tighten the 2 screws(upper side) firstly

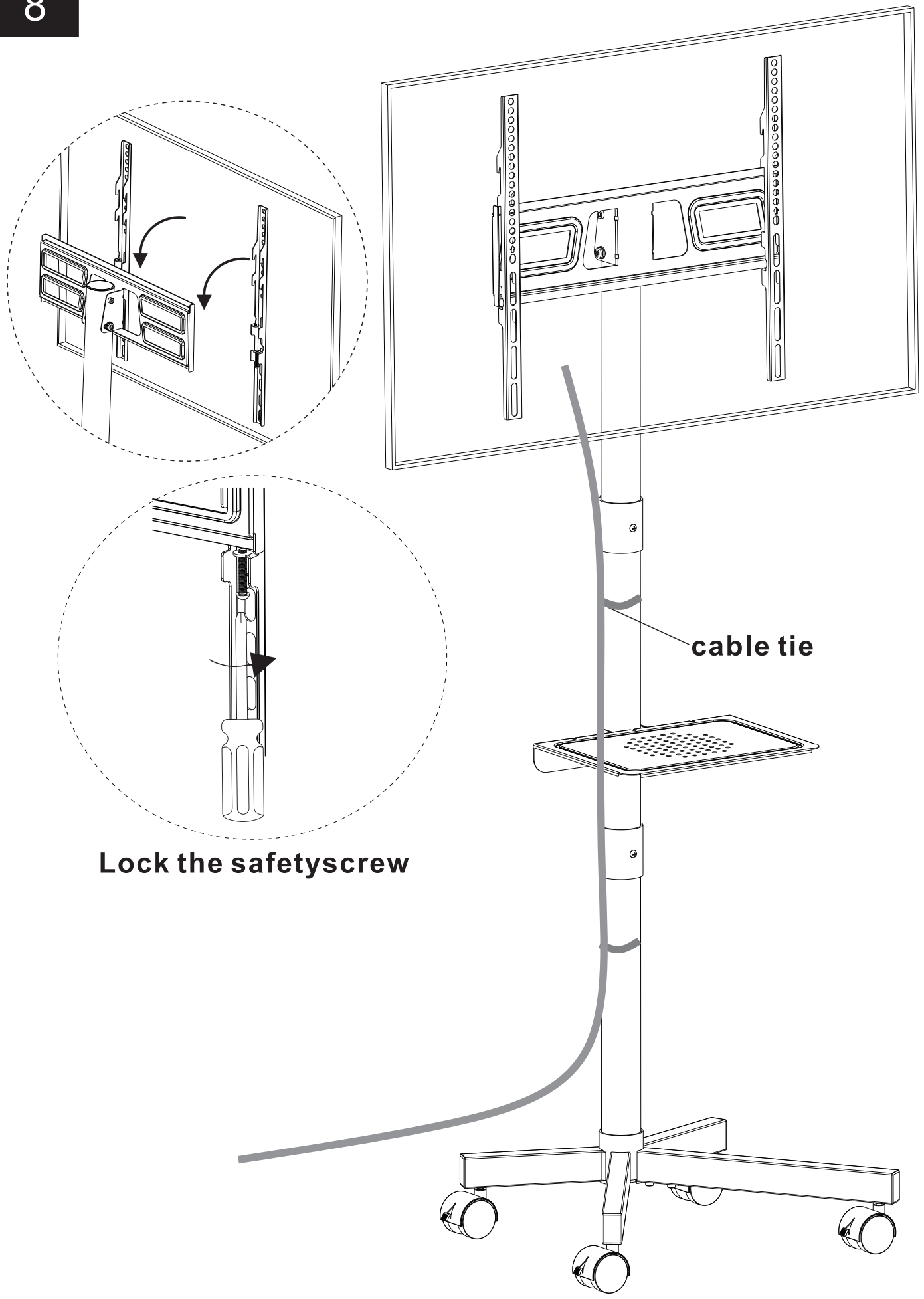


6



7





cable tie

Lock the safety screw