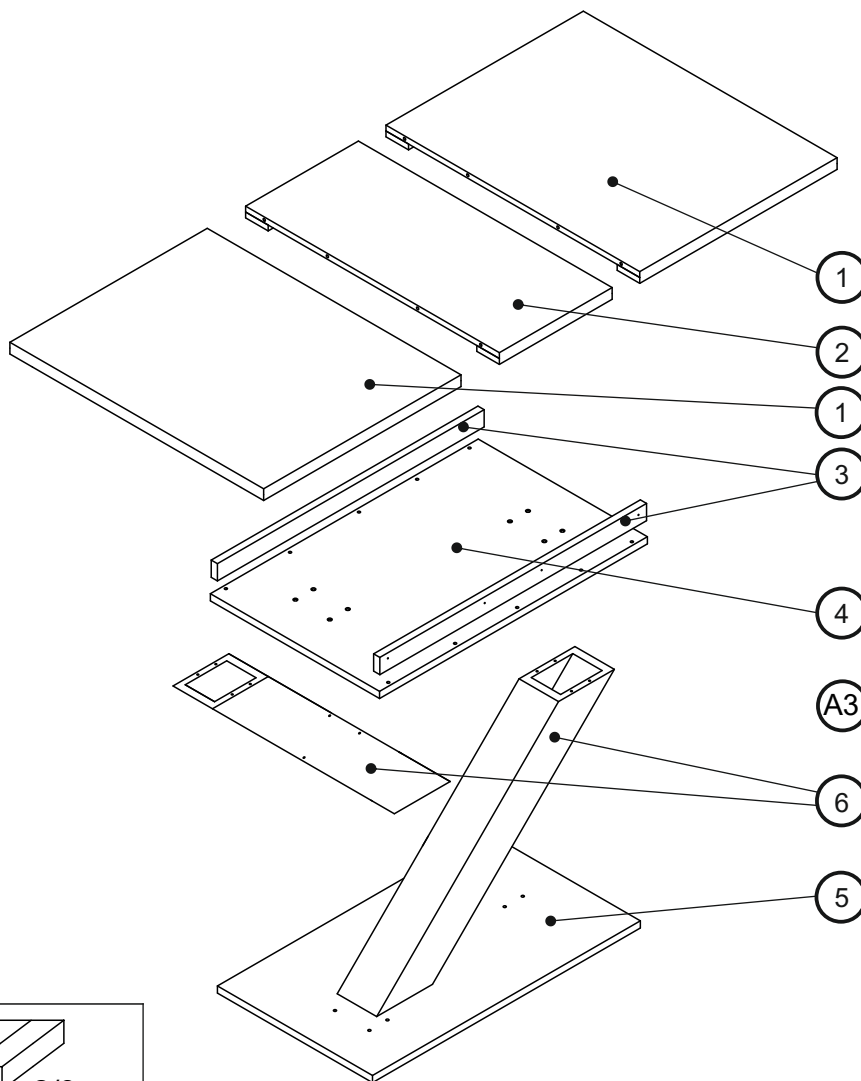
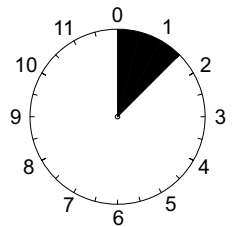
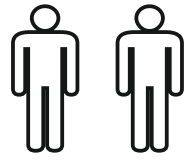
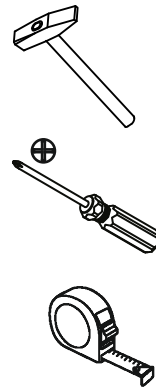
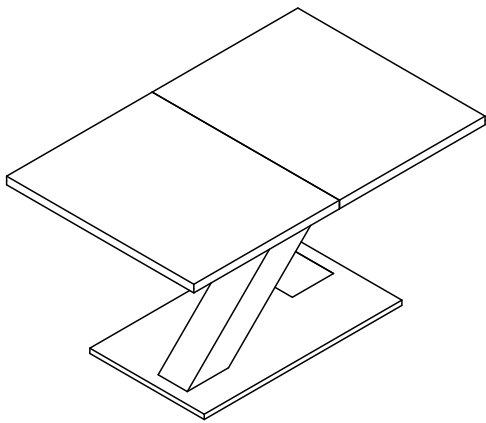
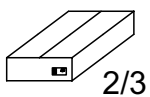
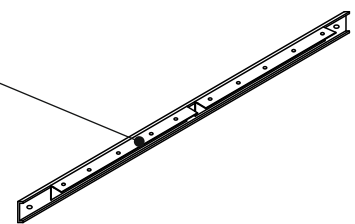


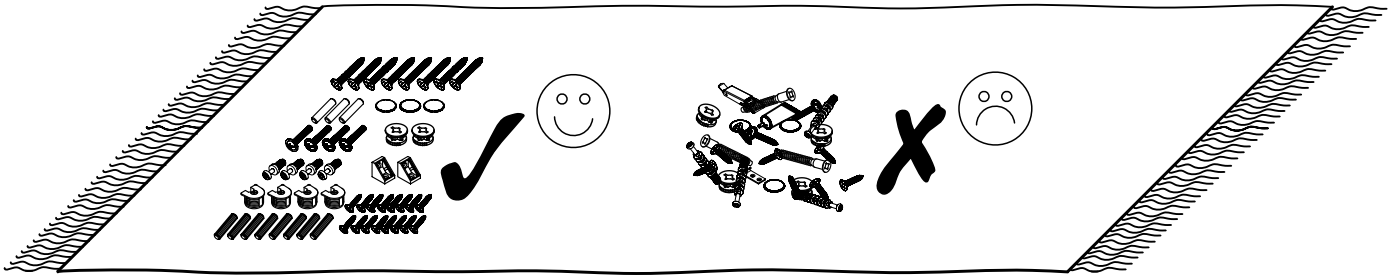
# XENA IT



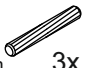
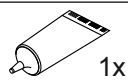
1	2X	1/3
2	1X	2/3
3	2X	2/3
4	1X	2/3
5	1X	2/3
6	2X	3/3
A3	2X	2/3

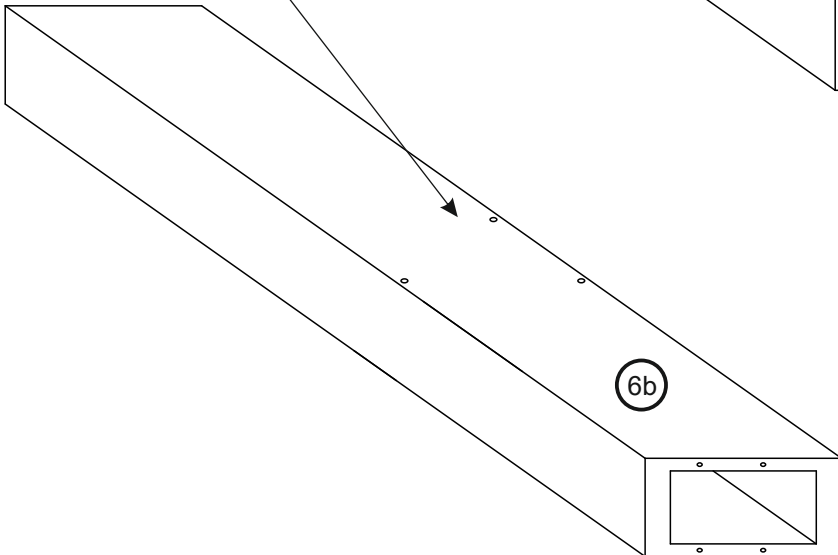
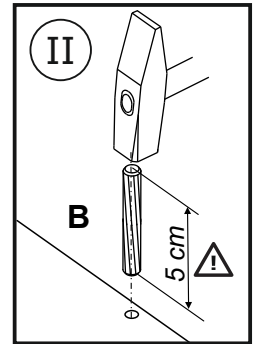
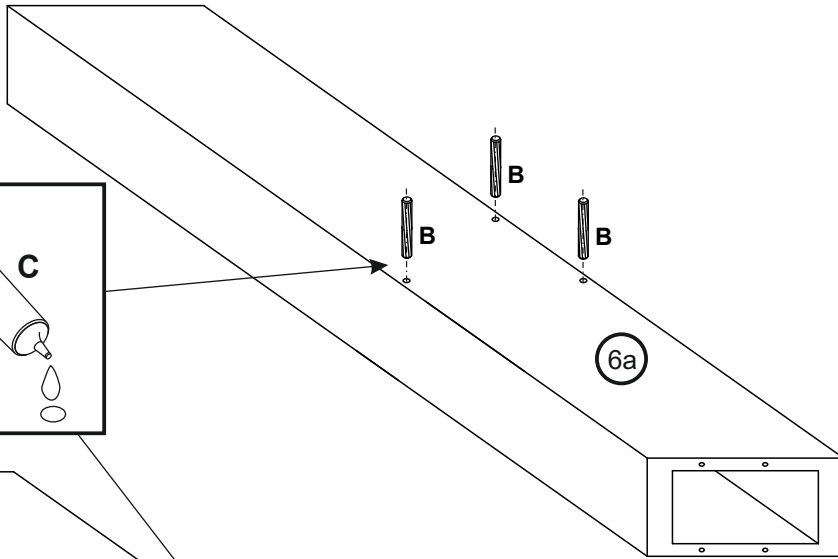
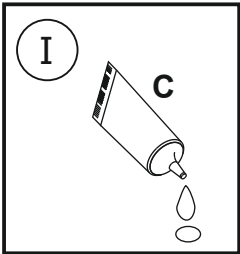


<b>A</b>  5x20 mm      44x	<b>B</b>  Ø8x50 mm      3x	<b>C</b>  10 g      1x	<b>D</b>  Ø7x50 mm      10x	<b>E</b>  Ø7x60 mm      16x	<b>F</b>  4 mm      1x
<b>G</b>  Ø8 mm      8x	<b>H</b>  Ø8 mm      8x	<b>J</b>  Ø4x15 mm      8x	<b>K</b>  40x16x22 mm      4x	<b>L</b>  Ø14x4 mm      4x	<b>M</b>  Ø20 mm      8x

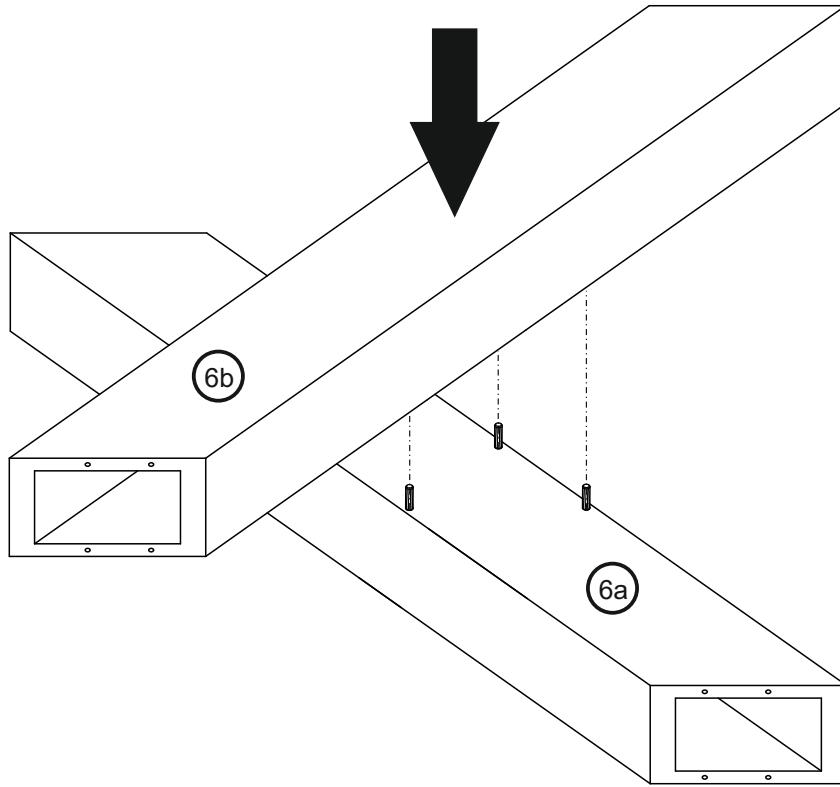


I.

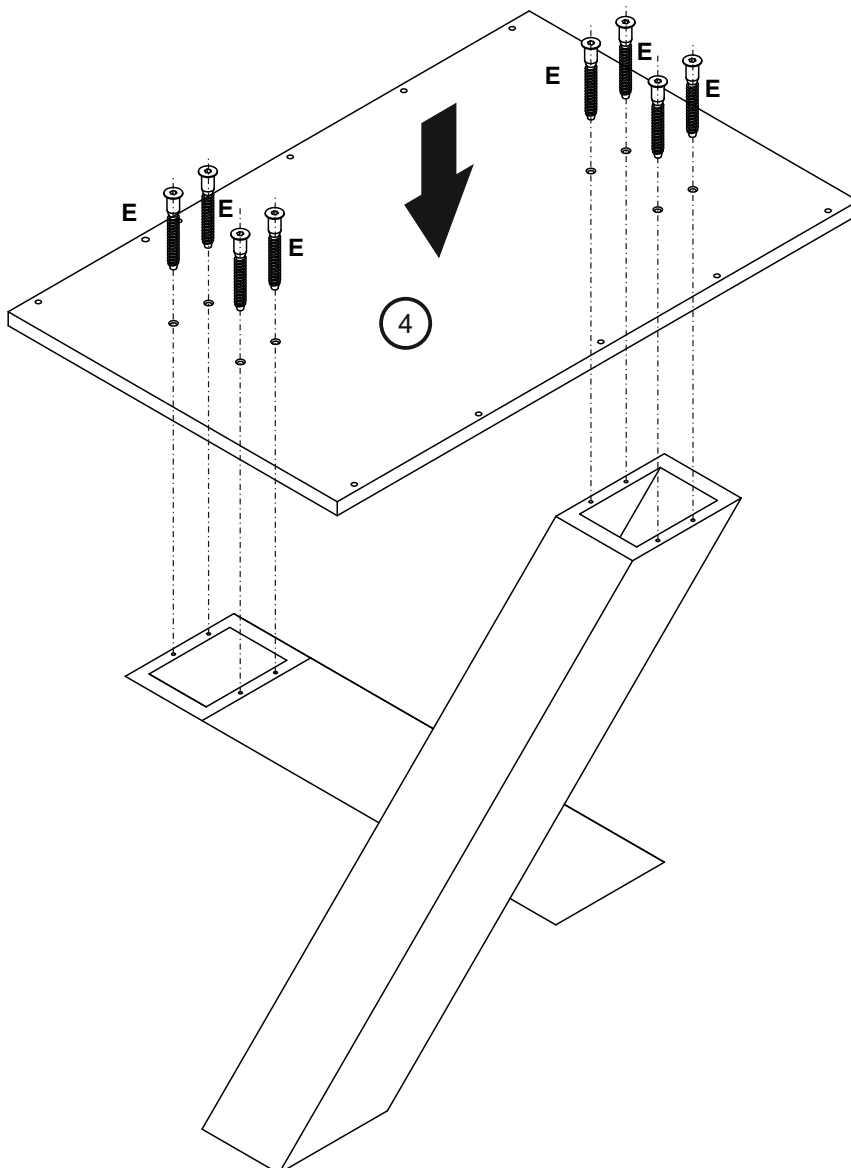
- B**  3x  
Ø8x50 mm
- C**  1x





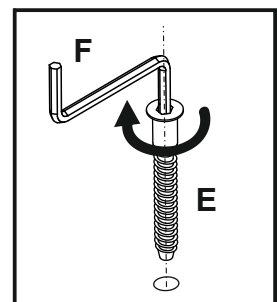
II.




III.

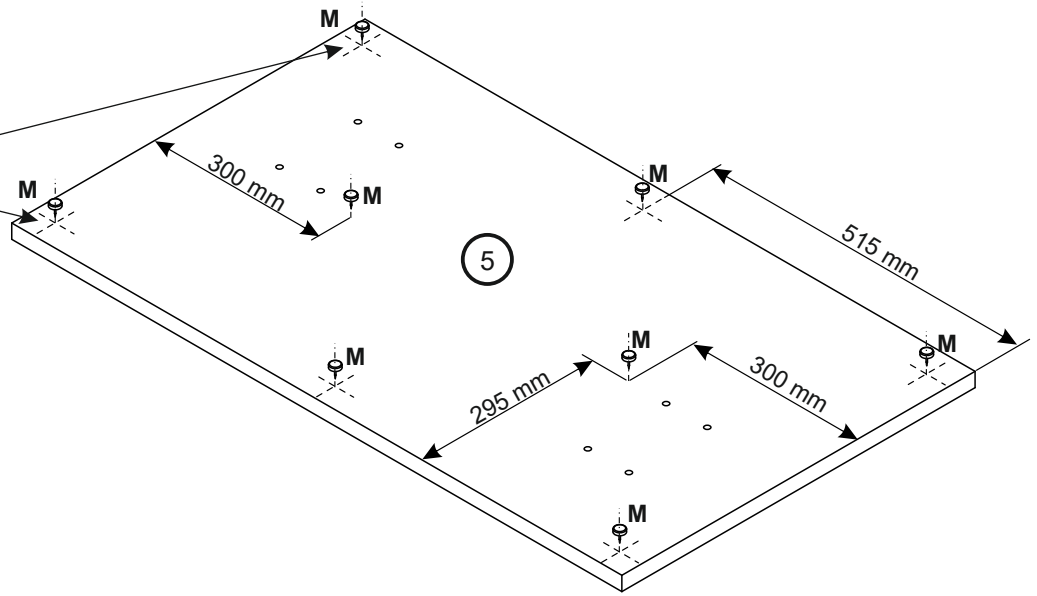
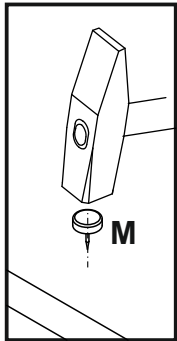
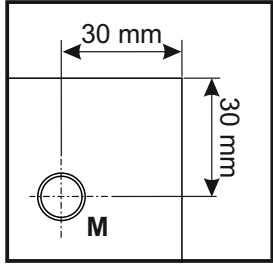


- E   $\varnothing 7 \times 60$  mm 8x
- F  4 mm 1x





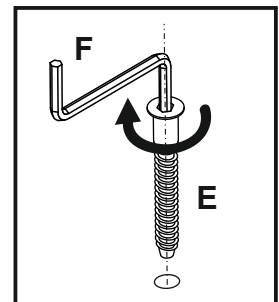
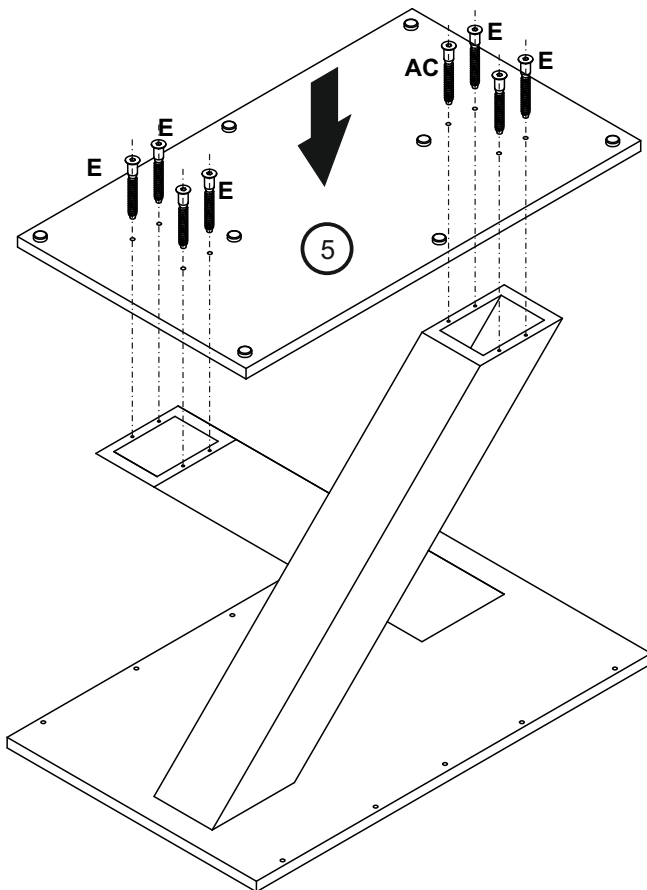
IV.

M  8x  
Ø20 mm

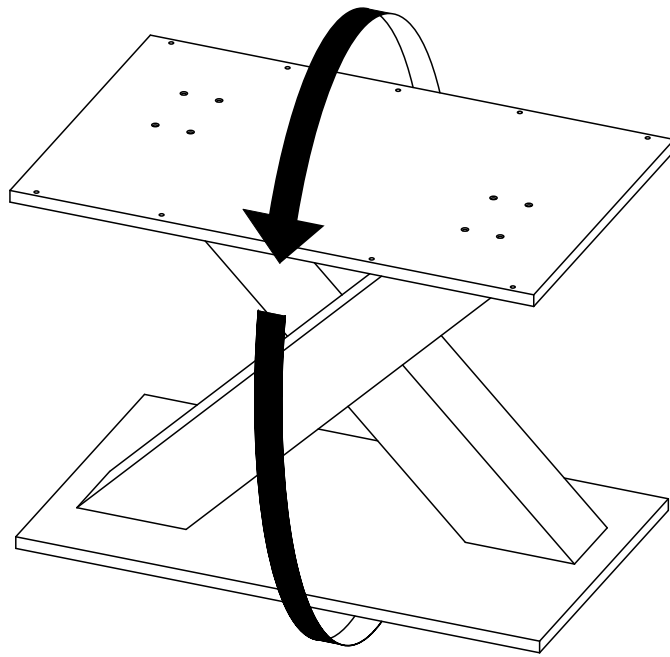
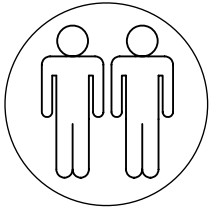


V.

E  8x  
Ø7x60 mm  
F  1x  
● 4 mm

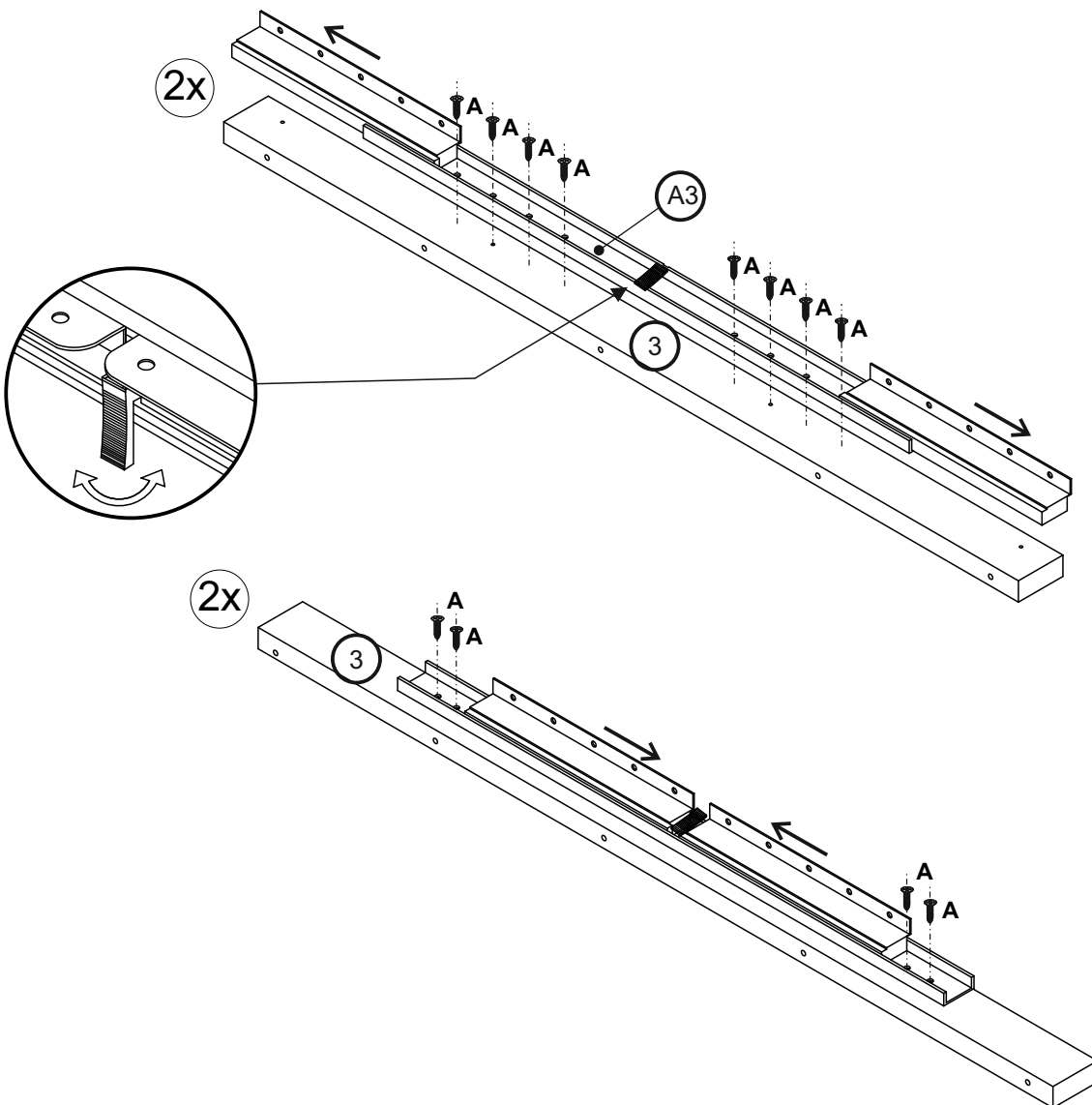


VI.

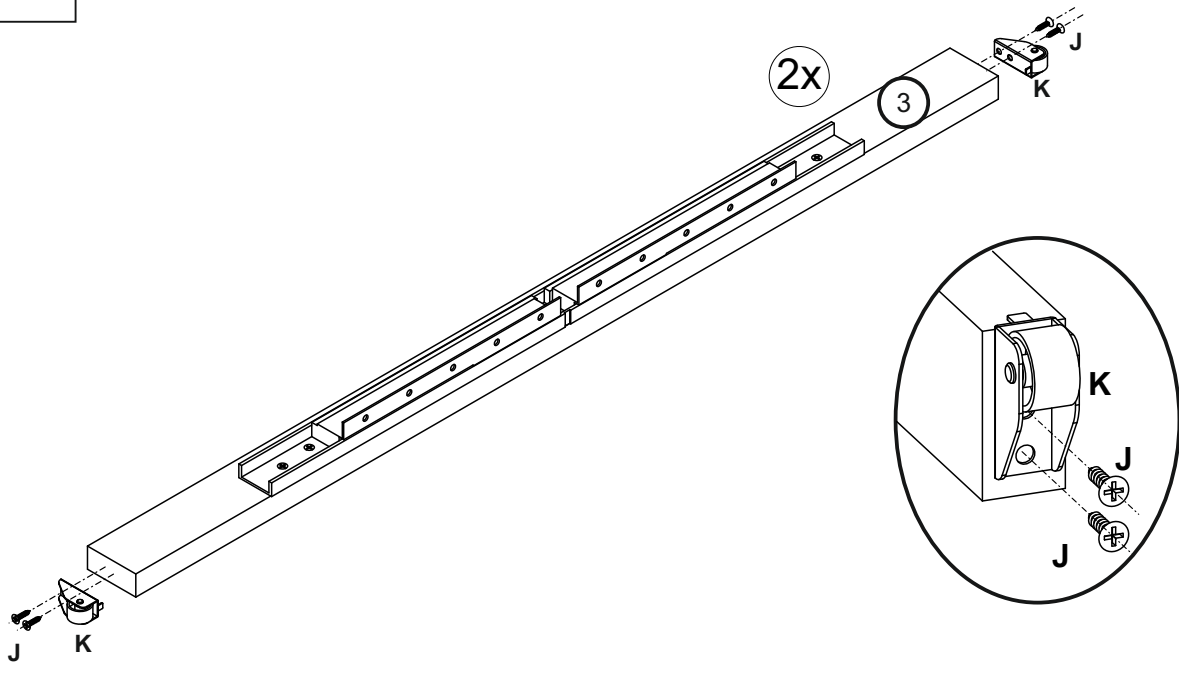




VII.

A  
5x20 mm 24x

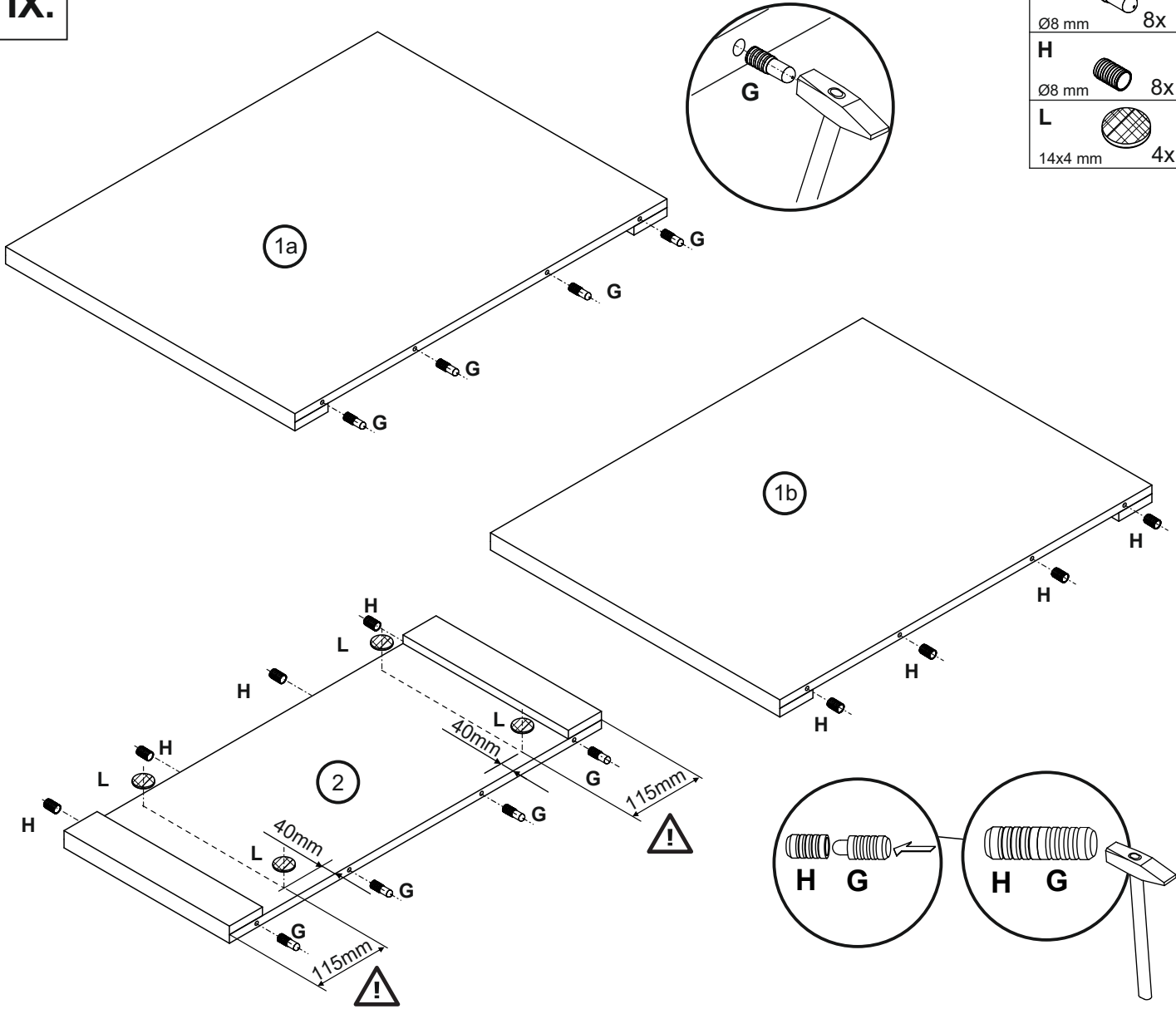


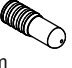


VIII.



- K**  40x16x22 mm 4X
- J**  Ø4x15 mm 8X

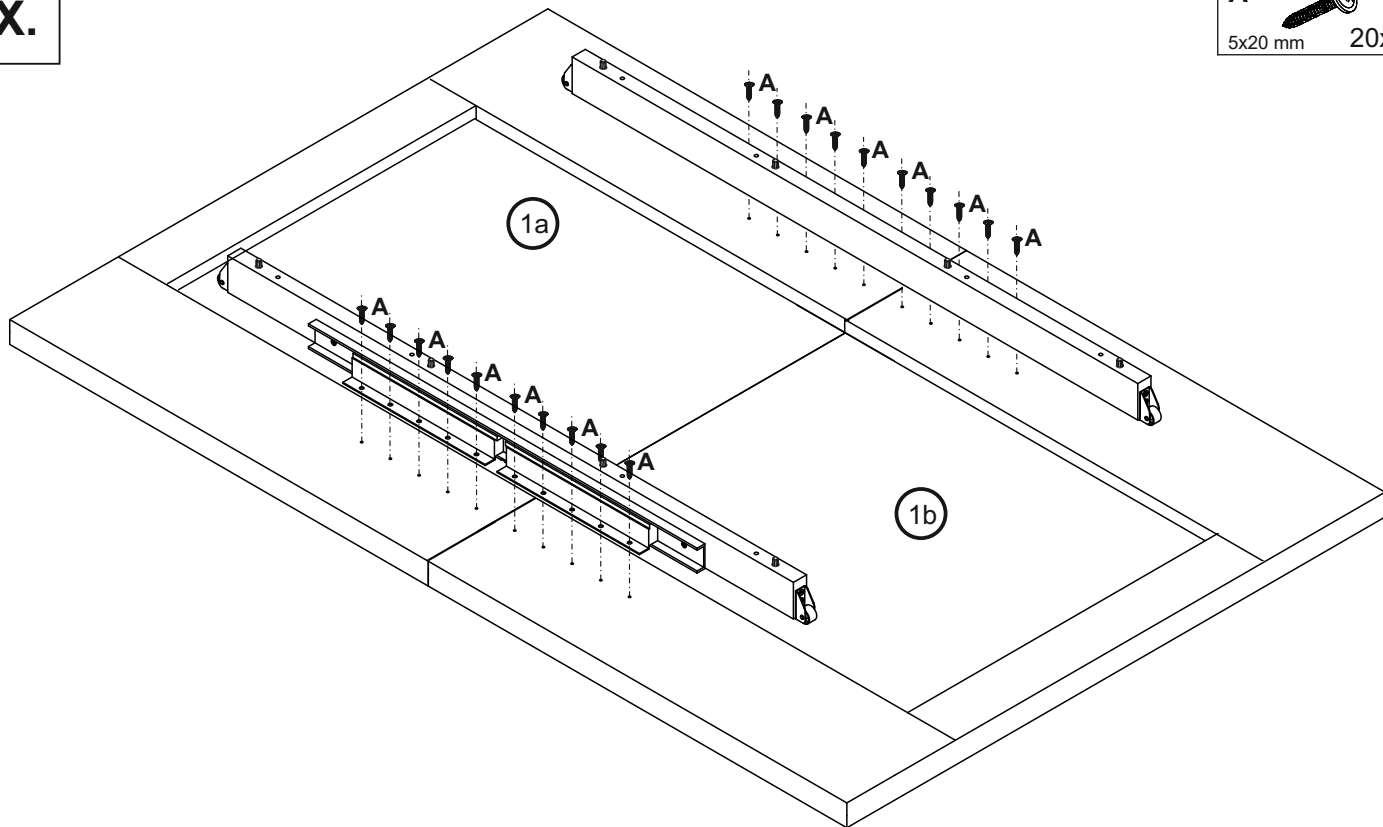
IX.



- G**  Ø8 mm 8X
- H**  Ø8 mm 8X
- L**  14x4 mm 4X

X.

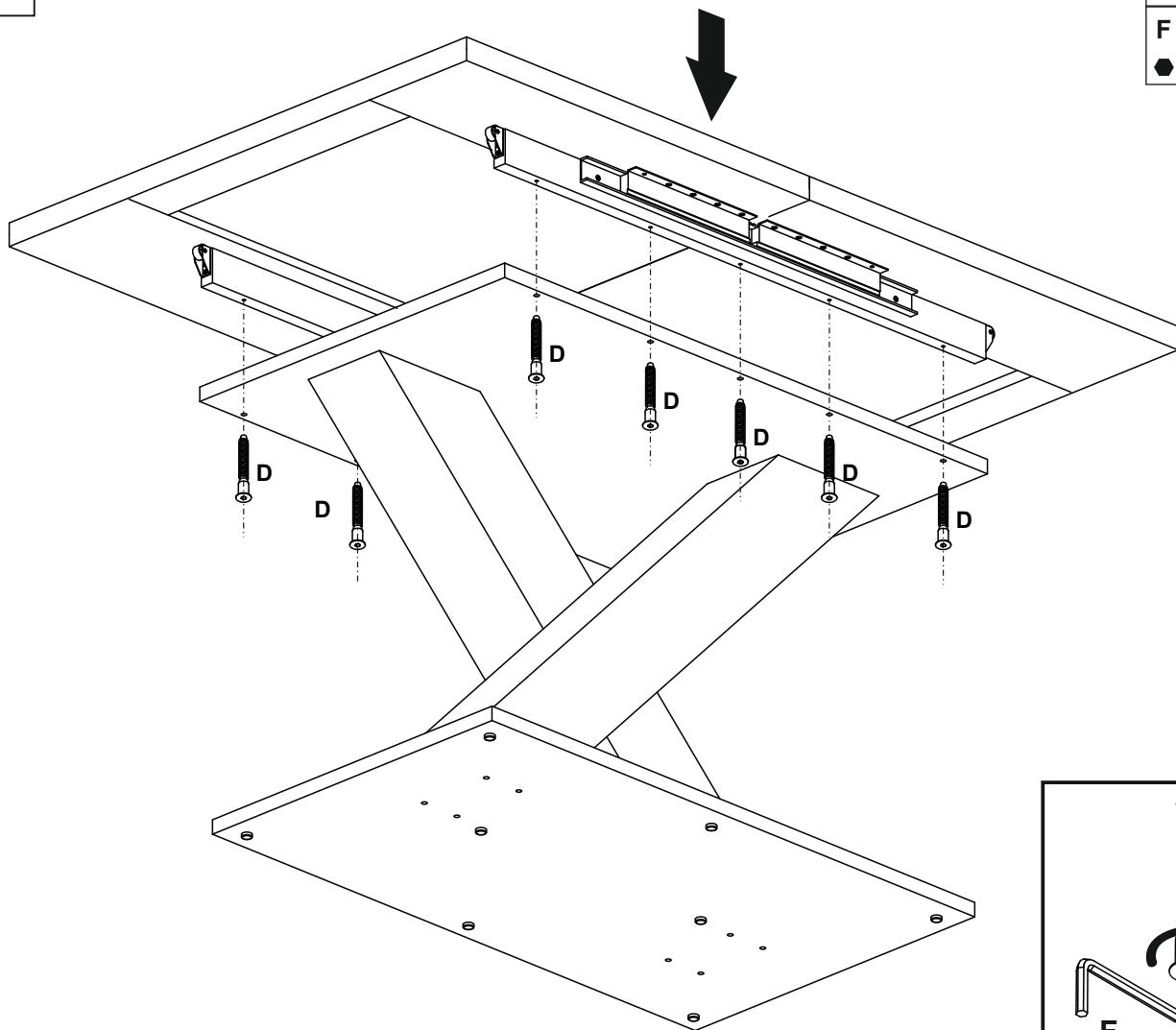
A  
5x20 mm 20x



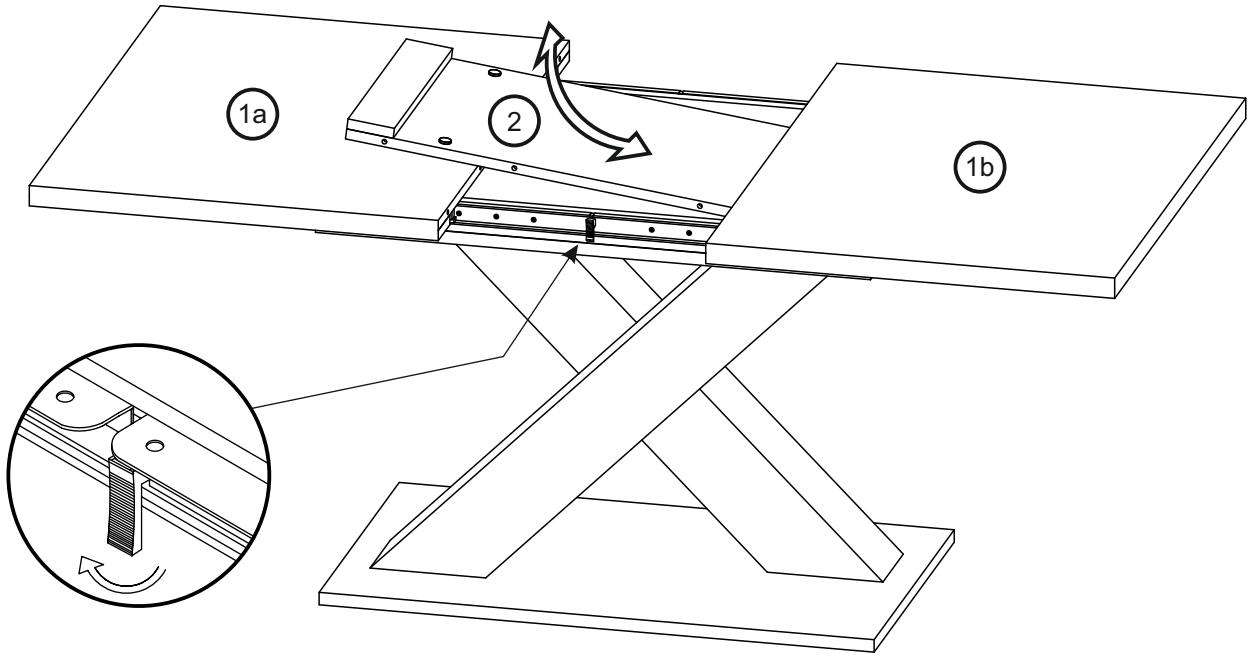
XI.

D  
Ø7x50 mm 10x

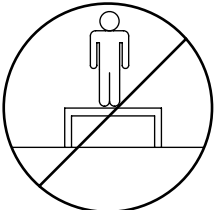
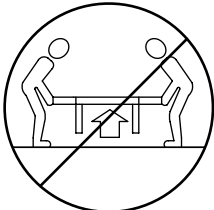
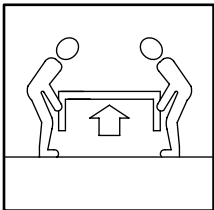
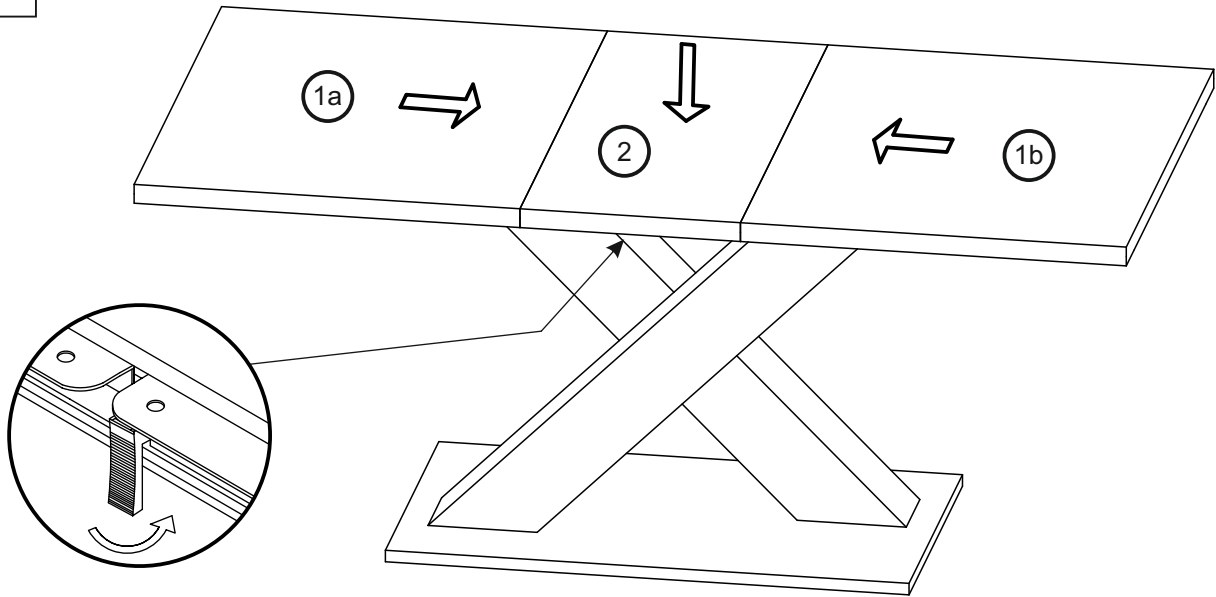
F  
4 mm 1x



## XII.



## XIII.



LE TRI  
+ FACILE



Séparez les éléments avant de trier