




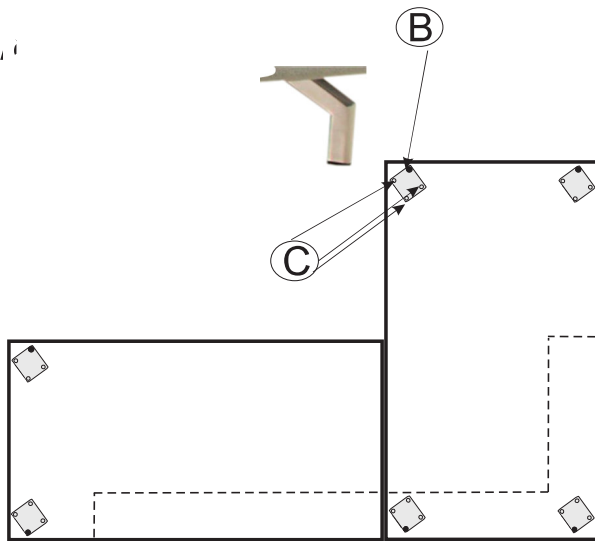


ECKE

AUFBAUANLEITUNG

		6 x  (A)	6 x  8 X 30 (B)	18 x  5 X 35 (C)
-----------------------------------------------------------------------------------	-----------------------------------------------------------------------------------	--------------------------------------------------------------------------------------------------------	----------------------------------------------------------------------------------------------------------------	------------------------------------------------------------------------------------------------------------------

RECHT



LI

