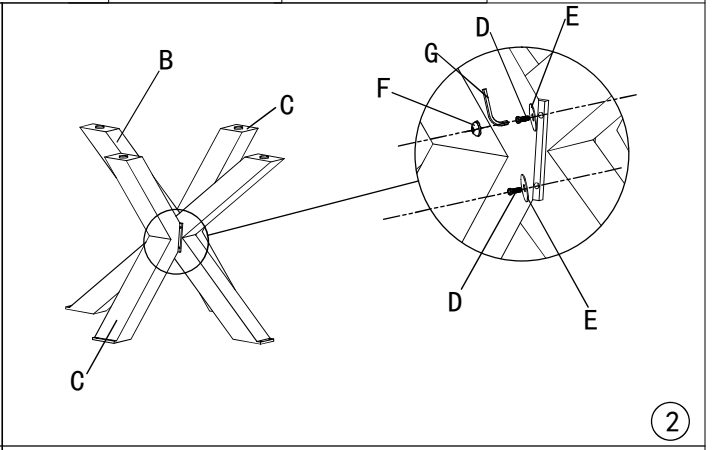
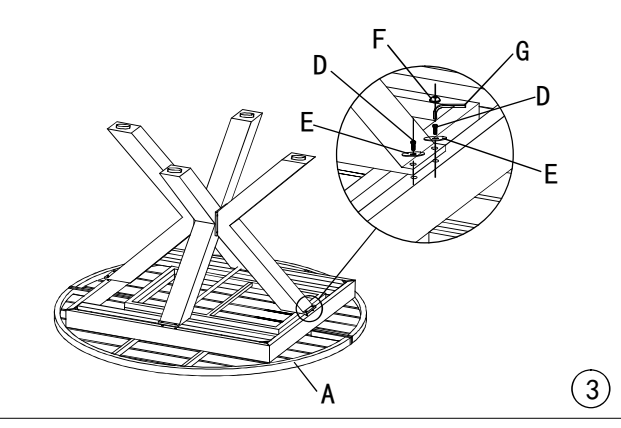


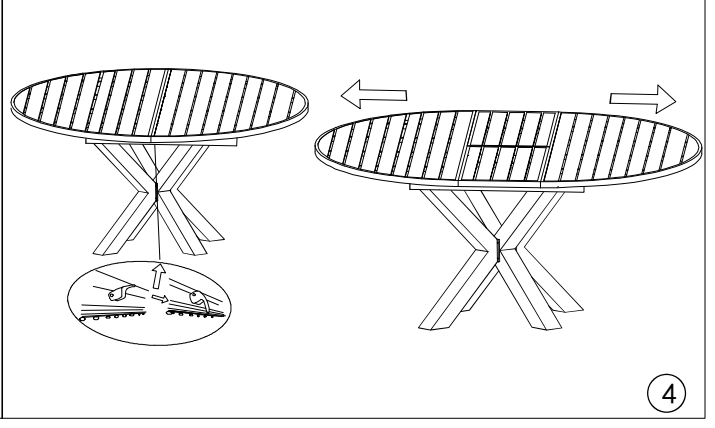
①



②



③



④

# Assembly instruction

## **Warnings and Cautions**

*Please retain this instruction for future usage and read carefully before assembly.*

*Make sure you have all the parts & hardware as item list shows.*

**2 adults** are recommended to install this set.

*Do not discard any of the packaging until you have checked that you have all the parts and pack of fittings.*

*Check all bolts for tightness before use, and periodically check and tighten bolts ensure your chair works properly.*

*Some parts might have sharp edges/corners. Please follow basic safety precautions to reduce the risk of hurts.*

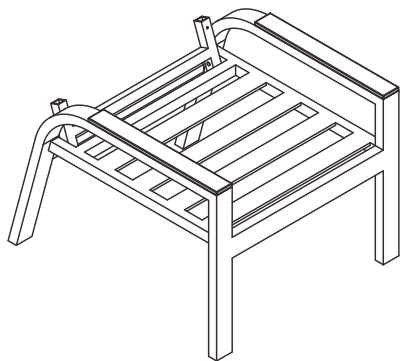
## **CHOKER HAZARD**

**THIS ITEM CONTAINS SMALL PARTS WHICH CAN BE SWALLOWED BY CHILDREN.**

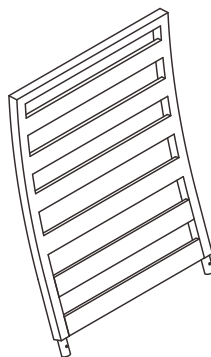
**PLEASE KEEP IT AWAY FROM CHILDREN UNDER 3 YEARS OLD and PETS DURING INSTALLATION.**

# CHECK LIST

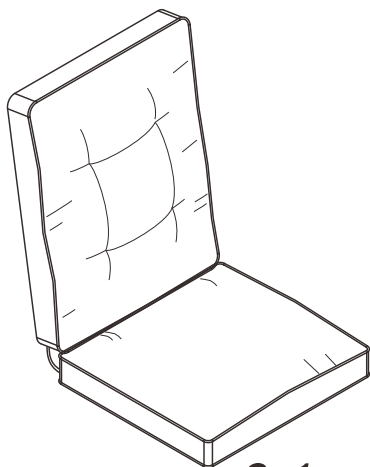
---



**Ax1**



**Bx1**

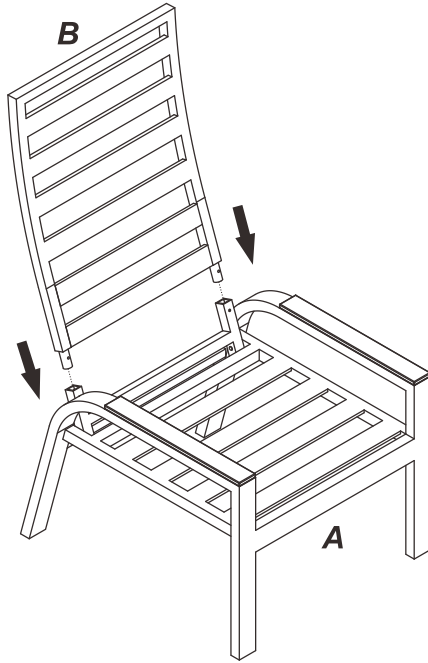


**Cx1**



**Dx2**

1.



2.

